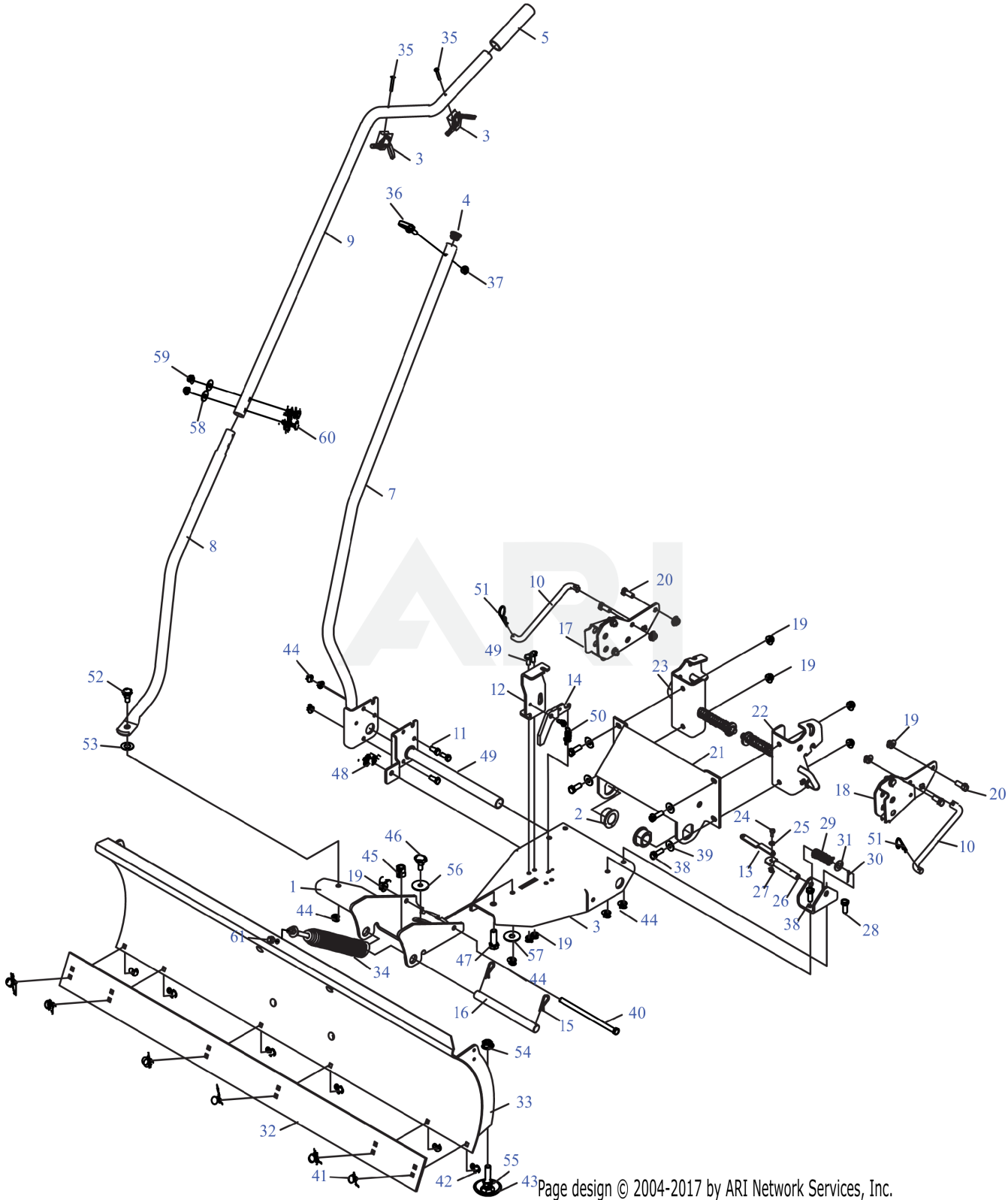


19A30037100 FastAttach All-Season Plow

TABLE OF CONTENTS

General Assembly	3
------------------------	---

General Assembly



Page design © 2004-2017 by ARI Network Services, Inc.

General Assembly

Ref Number	Part Number	Part Description	Context Notes	Quantity
1	689-00632	PIVOT PLATE ASSEMBLY	*CHOOSE COLOR WHEN ORDERING*	
2	941-0170	FLANGE BEARING		
3	946-04794	BLADE RELEASE CABLE		
4	735-0246A	END PLUG		
5	720-0274	GRIP		
6	789-00471	BLADE MOUNTING BRACKET	*CHOOSE COLOR WHEN ORDERING*	
7	689-00656	WELDED HANDLE ASSEMBLY	*CHOOSE COLOR WHEN ORDERING*	
8	749-05858	LOWER CONTROL TUBE (RH)	*CHOOSE COLOR WHEN ORDERING*	
9	749-05855A	UPPER CONTROL TUBE	*CHOOSE COLOR WHEN ORDERING*	
10	747-06957	SUPPORT ROD		
11	689-00667	WELDED SHAFT ASSEMBLY		
12	789-00466	BLADE PIVOT MOUNTING BRACKET	*CHOOSE COLOR WHEN ORDERING*	
13	989-00663	LOCKING ASSEMBLY	(989-00663 Incl. Ref. 13 & 24-31)	
14	789-00510	BLADE PIVOT LEVER	*CHOOSE COLOR WHEN ORDERING*	
15	914-0209	COTTER PIN		
16	711-06173	PIVOT SHAFT		
17	789-00455	BUMPER MOUNTING BRACKET PLATE	*CHOOSE COLOR WHEN ORDERING*	
17	710-04043	SCREW 5/16-18		
17	712-04063	FLANGE LOCK NUT 5/16-18		
17	789-00368	BUMPER RECEIVER BRACKET	*CHOOSE COLOR WHEN ORDERING*	

Ref Number	Part Number	Part Description	Context Notes	Quantity
18	712-04063	FLANGE LOCK NUT 5/16-18		
18	789-00455	BUMPER MOUNTING BRACKET PLATE	*CHOOSE COLOR WHEN ORDERING*	
18	710-04043	SCREW 5/16-18		
18	789-00368	BUMPER RECEIVER BRACKET	*CHOOSE COLOR WHEN ORDERING*	
19	712-04063	FLANGE LOCK NUT 5/16-18		
20	710-3001	SCREW 3/8-16 x .880 GR5		
21	789-00463	LARGE MOUNTING BRACKET	*CHOOSE COLOR WHEN ORDERING*	
22	714-0162	COTTER PIN-5/32 DIA		
22	732-0583	SPRING		
22	789-00560	FRONT STANCHION BRACKET (LH)	*CHOOSE COLOR WHEN ORDERING*	
22	736-04019	FLAT WASHER .531 x 1.25 x .181		
22	747-07021	J HOOK ARM ASSEMBLY		
23	747-07021	J HOOK ARM ASSEMBLY		
23	789-00561	FRONT STANCHION BRACKET (RH)	*CHOOSE COLOR WHEN ORDERING*	
23	714-0162	COTTER PIN-5/32 DIA		
23	736-04019	FLAT WASHER .531 x 1.25 x .181		
23	732-0583	SPRING		
24	989-00663	LOCKING ASSEMBLY	(989-00663 Incl. Ref. 13 & 24-31)	
25	791-182568	WASH, FLAT .480X.1	(989-00663 Incl. Ref. 13 & 24-31)	
26	747-06383A	LIFT LOCK ROD	(989-00663 Incl. Ref. 13 & 24-31)	

Ref Number	Part Number	Part Description	Context Notes	Quantity
27	712-0161	HEX NUT	(989-00663 Incl. Ref. 13 & 24-31)	
28	989-00663	LOCKING ASSEMBLY	(989-00663 Incl. Ref. 13 & 24-31)	
29	732-05216	COMPRESSION SPRING .772 OD x 1.95	(989-00663 Incl. Ref. 13 & 24-31)	
30	714-3004	COTTER PIN 3/32 x 1.25	(989-00663 Incl. Ref. 13 & 24-31)	
31	936-0272	FLAT WASHER .510X.995	(989-00663 Incl. Ref. 13 & 24-31)	
32	789-00467	46" SCRAPPER BLADE		
33	689-00661	46" BLADE	*CHOOSE COLOR WHEN ORDERING*	
34	989-00662	TRIP SPRING KIT		
35	710-1233	SCREW #10-24 x 1.375		
36	603-0297	EYE-BOLT		
37	712-3004A	HEX FLANGE NUT		
38	710-0514	SCREW 3/8-16 x 1 GR5		
39	736-04183	WASHER-.395 x 1.0 x .62		
40	710-3261	SCREW 3/8-16 x 7.00 GR5		
41	710-0451	CARRIAGE BOLT 5/16-18 x .75		
42	912-0429	HEX NUT INS		
43	703-0650	BLADE SKID SHOE		
44	712-04065	NUT		
45	712-3022	HEX NUT CTR LK 1/2-13		
46	938-0507B	SHOULDER SCREW		

Ref Number	Part Number	Part Description	Context Notes	Quantity
47	710-3181	SCREW 1/2-13X1.50 GR5		
48	710-04683C	SCREW 3/8-16 x 1		
49	710-3008	SCREW 5/16-18 x .75 GR5		
50	732-04345	EXTENSION SPRING		
51	714-3020	INTERNAL COTTER PIN		
52	738-0143	SHOULDER SCREW .498 DIA x .340		
53	936-0414	TEFLON WASHER .565X1.20		
54	712-04150	NUT		
55	912-3048	HEX JAM NUT 1/2-13		
56	936-0208	FLAT WASHER		
57	736-0234	FLAT WASHER .390 ID x 1.50 OD x .075		
58	736-3078	FLAT WASHER 344X1.00		
59	912-3010	HEX NUT 5/16-18		
60	710-1250	CARRIAGE BOLT 5/16-18 x 1.5		
61	712-04102	HEX NUT 3/8-16		
62	738-04425	SHOULDER SCREW		
	19A30037100	FAST ATTACH FRONT UTILITY BLADE		