

INSTRUCTION MANUAL
Air Supply Requirements

1. Supply tool with 90 psig (6.2 bar) of clean, dry air. Higher pressure drastically reduces tool life.
2. Connect tool to air line using pipe, hose and fitting sizes shown in the diagram on page 12.
3. Do not install a quick coupler directly into the grinder throttle handle.

Lubrication

1. Motor Use an air line lubricator with SAE #10 oil, adjusted to two drops per minute. If an air line lubricator cannot be used, add air motor oil to the inlet once a day.
2. Gears Remove screw (Index no. 2). Use grease gun C098689 with Mobilux EP 2 or equal grease. Re install screw (Index no 2).

Noise & Vibration Declaration*

Sound pressure level 85 dB(A), re. PN8NTC1.2. For sound power, add 10 dB(A).

Vibration value 4.4 m/s², re. ISO 8662 8.

Maintenance

1. Disassemble and inspect air motor and governor assembly every three months if the tool is used every day. Replace damaged or worn parts.
2. High wear parts are underlined in the parts list.
3. To keep downtime to a minimum, the following service kit, detailed on page 12, is recommended: C138089 Tune Up Kit

*These declared values were obtained by laboratory type testing in compliance with the stated standards and are not adequate for use in risk assessments. Values measured in individual work places may be higher than the declared values. The actual exposure values and risk of harm experienced by an individual user are unique and depend upon the way the user works, the workpiece and the workstation design, as well as upon the exposure time and the physical condition of the user. We, Chicago Pneumatic, cannot be held liable for the consequences of using the declared values, instead of values reflecting the actual exposure, in an individual risk assessment in a work place situation over which we have no control.

EC DECLARATION OF CONFORMITY

We, Chicago Pneumatic Tool Company, 1800 Overview Drive, Rock Hill, SC 29730 USA, declare under our sole responsibility that the product to which this declaration relates, is in conformity with the requirements of the Council Directive of June 1998 on the approximation of the laws of the Member States relating to machinery (98/37/EC).

Machine Name CP854/854 E Angle Grinder

Machine Type Power tool equipped with 3/8" spindle for use with various grinding wheels for grinding - No other use is permitted.

Serial No. Tools with No. 94200K or higher

Technical Data

Spindle 3/8" - 24, M10 x 1.5

Wheel 4" (100 mm), 5" (125 mm)


Free speed 13,000 RPM

Air pressure 90 psi (6.2 bar)

Harmonized Standards Applied EN ISO 12100

National Standards Applied ISO 8662-1, PN8NTC1.2

Name and Position of Issuer Yves Antier, General Manager, Chicago Pneumatic Tool Company

Signature of Issuer 

Place and Date of Issue Utica, NY 13501 USA, July 31, 1994

MANUFACTURER'S LIMITED WARRANTY

Limited Warranty: The "Products" of the Chicago Pneumatic Tool Company ("CP") are warranted to be free from defects in material and workmanship for one year from the date of purchase. This Warranty applies only to Products purchased new from CP or its authorized dealers. Of course, this Warranty does not apply to products which have been abused, misused, modified, or repaired by someone other than CP or its Authorized Service Representatives. If a CP Product proves defective in material or workmanship within one year after purchase, return it to any CP Factory Service Center or Authorized Service Center for CP tools, transportation prepaid, enclosing your name and address, adequate proof of date of purchase, and a short description of the defect. CP will, at its option, repair or replace defective Products free of charge. Repairs or replacements are warranted as described above for the remainder of the original warranty period. CP's sole liability and your exclusive remedy under this Warranty is limited to repair or replacement of the defective Product. **(There Are No Other Warranties Expressed Or Implied And CP Shall Not Be Liable For Incidental, Consequential, Or Special Damages, Or Any Other Damages, Costs Or Expenses Excepting Only The Cost Or Expense Of Repair Or Replacement As Described Above.)**

© Copyright 2004, Chicago Pneumatic, 1800 Overview Drive, Rock Hill, SC 29730 USA

All rights reserved. Any unauthorized use or copying of the contents or part thereof is prohibited. This applies in particular to trademarks, model denominations, part numbers and drawings.

Use only authorized parts. Any damage or malfunction caused by the use of unauthorized parts is not covered by Warranty or Product Liability.


WARNING

To reduce risk of injury, everyone using, installing, repairing, maintaining, changing accessories on, or working near this tool must read and understand these instructions before performing any such task.

The goal of Chicago Pneumatic is to produce tools that help you work safely and efficiently. The most important safety device for this or any tool is YOU. Your care and good judgment are the best protection against injury. All possible hazards cannot be covered here, but we have tried to highlight some of the important ones.

For Additional Safety Information Consult:

- ▲ Your employer, union and/or trade association.
- ▲ US Department of Labor (OSHA); www.osha.gov; Council of the European Communities europe.osha.eu.int
- ▲ "Safety Requirements for the Use, Care and Protection of Abrasive Wheels" (ANSI B7.1) and "Safety Code for Portable Air Tools" (ANSI B186.1) available from: www.ansi.org
- ▲ "Safety Requirements for Hand Held Non Electric Power Tools" available from: European Committee for Standardization, www.cenorm.be

Air Supply And Connection Hazards

- ▲ Air under pressure can cause severe injury.
- ▲ Always shut off air supply, drain hose of air pressure and disconnect tool from air supply when not in use, before changing accessories or when making repairs.
- ▲ Never direct air at yourself or anyone else.
- ▲ Whipping hoses can cause serious injury. Always check for damaged or loose hoses and fittings.
- ▲ Do not use quick disconnect couplings at tool. See instructions for correct setup.
- ▲ Whenever universal twist couplings are used, lock pins must be installed.
- ▲ Do not exceed maximum air pressure of 90 psi/6.2 bar or as stated on tool nameplate.

Wheel Guard Usage

- ▲ Always use the recommended wheel guard to prevent injury from broken grinding wheel parts.
- ▲ If a guard has withstood a wheel breakage do not continue to use it. It may be damaged.
- ▲ Position the guard between the grinding wheel and the operator.
- ▲ Use barriers to protect others from wheel fragments and grinding sparks.

Projectile Hazards

- ▲ Always wear impact resistant eye and face protection when involved with or near the operation, repair or maintenance of the tool or changing accessories on the tool.
- ▲ Be sure all others in the area are wearing impact resistant eye and face protection.
- ▲ Even small projectiles can injure eyes and cause blindness.
- ▲ A grinding wheel that bursts can cause very serious injury.
- ▲ Daily measure the air grinder speed with a tachometer to make sure it is not greater than the RPM marked on the grinding wheel.

SAFETY INSTRUCTIONS

- ▲ Never use a grinding wheel marked with a speed lower than the air grinder speed.

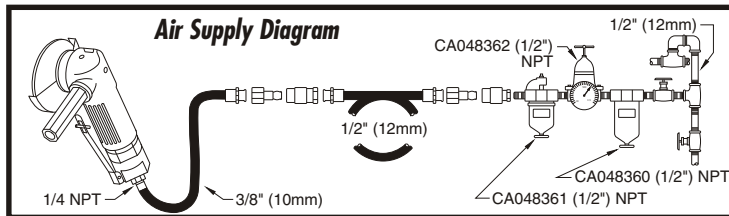
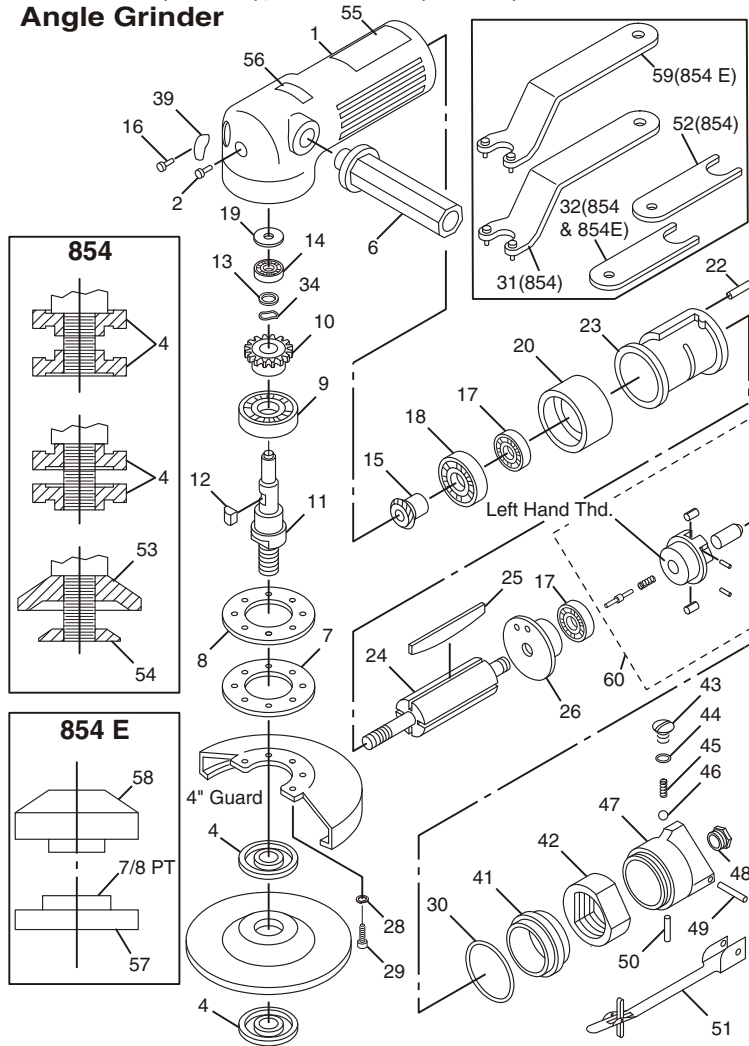
Grinding Wheel Mounting Hazards

- ▲ Correct grinding wheel mounting is necessary to prevent injury from broken wheels.
- ▲ Do not use chipped or cracked grinding wheels.
- ▲ Grinding wheels should be a free fit on the spindle to prevent stress at the hole.
- ▲ Use only wheel collars that come with the grinder for mounting the grinding wheel.
- ▲ Flat washers or other adapters may over stress the wheel. Always use heavy paper blotter discs between the wheel collars and the grinding wheel.
- ▲ Tighten the wheel on the spindle to prevent spin off when the air grinder is turned off.
- ▲ Before grinding, test grinding wheel by briefly running tool at full throttle. Be sure to use a barrier (such as under a heavy work table) to stop any possible broken wheel parts.

Workplace Hazards

- ▲ Slip/Trip/Fall is a major cause of serious injury or death. Be aware of excess hose left on the walking or work surface.
- ▲ High sound levels can cause permanent hearing loss. Use hearing protection as recommended by your employer or OSHA regulation (see 29 CFR part 1910).
- ▲ Maintain a balanced body position and secure footing.
- ▲ Repetitive work motions, awkward positions and exposure to vibration can be harmful to hands and arms. If numbness, tingling, pain or whitening of the skin occurs, stop using tool and consult a physician.
- ▲ Avoid inhaling dust or handling debris from the work process which can be harmful to your health. Use dust extraction and wear respiratory protective equipment when working with materials which produce airborne particles.
- ▲ Operators and maintenance personnel must be physically able to handle the bulk, weight and power of this tool.
- ▲ This tool is not intended for use in explosive atmospheres and is not insulated for contact with electric power sources.
- ▲ Some dust created by power sanding, sawing, grinding, drilling and other construction activities contains chemicals known to the State of California to cause cancer and birth defects or other reproductive harm. Some examples of these chemicals are:
 - Lead from lead based paints
 - Crystalline silica bricks and cement and other masonry products
 - And Arsenic and chromium from chemically treated rubber
 Your risk from these exposures varies, depending on how often you do this type of work. To reduce your exposure to these chemicals: work in a well ventilated area, and work with approved safety equipment, such as dust masks that are specially designed to filter out microscopic particles.
- ▲ For professional use only.

CP854 (4"Ø)/854 E (5"Ø) Angle Grinder



Index No.	Part No.	Description	No. Req'd.
1	C136896	Housing Motor	1
2	C136897	Screw Motor Housing	1
3	C136898	Guard 4 in. (100 mm) Wheel	1
	KF141860	Guard (125 mm 5") (854 E)	1
4	C138512	Nut Wheel Retaining	2
	C136899	Nut Wheel Retaining 16mm	1
6	C136901	Handle Dead	1
7	C136902	Retainer	1
8	C136903	Gasket	1
9	S021071	Bearing Ball	1
10	C136905	Gear Bevel	1
11	C141028	Shaft Gear (854)(3/8" 24 Thd.)	1
	C136906	Shaft Gear (854 E)(M10x1.5 Thd.)	1
12	KF125161	Key	1
13	C136908	Ring Retaining	1
14	S025101	Bearing Ball	1
15	C136910	Pinion	1
16	C136911	Screw Deflector	1
17	S013107	Bearing Ball	2
18	G072185	Bearing Ball	1
19	C136914	Spacer	1
20	C136915	Plate Front End	1
22	KF124281	Dowel	1
23	KF125248	Liner	1
24	C136919	Rotor	1
25	KF138242	Blade Set Rotor (4)	1
26	KF125250	Plate Upper End	1
28	CA127043	Lockwasher	4
29	KF125206	Screw	4
30	C136925	O Ring	1
31	C136926	Wrench Wheel Spanner (854)	1
32	C136927	Wrench Stop Spanner (854/854E)	1
34	C136929	Washer Wavy	1
39	C136934	Deflector Exhaust	1
41	C136936	Ring Lock	1
42	C136937	Nut Coupling	1
43	C136938	Nut Valve	1
44	C136939	O Ring Valve Nut	1
45	C136940	Spring Valve	1
46	C136941	Ball Valve	1
47	C136942	Housing Valve	1
48	P002525	Reducing Busing Inlet	1
49	C136944	Pin Valve Housing	1
50	C136945	Pin Stop Valve	1
51	C136946	Lever Throttle	1
52	C139702	Wrench 5/8" Open End (854)	1
53	C128495	Adaptor Wheel (854)	1
54	C050588	Nut Wheel Ret (854)	1
55	CA144007	Warning Decal	1
57	KF141861	Collar Wheel .87ID (854E)	1
58	KF142108	Adaptor Wheel M10Thd. (854E)	1
59	KF141865	Wrench Spanner 28 mm (854E)	1
56	CA157797	Decal Guard Warning	1
60	8940162659	Governor Assembly	1

Tune-Up Kit
C138089 (Incl: Index Nos. 8, 9, 10, 14, 15, 17, 18 & 25)

FOR DETAILED INFORMATION ABOUT CHICAGO PNEUMATIC AIR TOOLS AND EQUIPMENT CONTACT:

**HEADQUARTERS LOCATION
UNITED STATES**
Chicago Pneumatic Tool Company
Automotive Division
1800 Overview Drive
Rock Hill, SC 29730
Telephone: 1-803-817-7000
1-800-367-2442 (USA only)
Fax: 1-800-228-9096

AUSTRALIA
Atlas Copco Tools Australia
3 Bessmer Street
Blacktown • Australia
Telephone: 02-621-9482
Fax: 02-671-5915

BELGIQUE
Chicago Pneumatic Rep. Office
Avenue Sluysmans 10-4030
Liege • Belgium
Tel/Fax: 04-343 8150

BRASIL
Chicago Pneumatic Brasil
Av. Mascote 159 V. Sta. Catarina
04363-000
Sao Paulo/SP • Brasil
Telephone: (011) 562-7314
Fax: (011) 563-9208

CANADA
Chicago Pneumatic Tool Co.
Automotive Division
1800 Overview Drive
Rock Hill, SC 29730
Telephone: 1-803-817-7000
Fax: 1-800-228-9096

CENTRAL AMERICA
Contact Chicago Pneumatic/USA
for names of CP Authorized
Distributors in this area

FRANCE
Espace Lumière
Bâtiment S
57, Boulevard de la République
78403 Chatou Cédex, France
Telephone: (0) 1 30 09 60 00
Fax: (0) 1 30 71 96 70

GERMANY
Desoutter GMBH
Vehicle Service
Edmund-Seng-strasse 3-5
D-63477 Maintal, Germany
Telephone: 49-0611-270120/22
Fax: 49-0611-270140

INDIA
Chicago Pneumatic Sales
Chemtex House, First Floor
Main Street
Hiranadani Gardens
Powai, Mumbai 400076, India
Telephone: (22)25704907
(22)25708984
Fax: (22)25705042

ITALY
Desoutter Italiana S.R.L.
Viale Della Repubblica, 65
20035 Lissone (Milano)

MEXICO
Chicago Pneumatic Tool
Company Mexico
San Francisco #223
Viale Dorado, Tlalneapantla
C.P. 54020 • Mexico
Telephone: 525-378-0754
Fax: 525-378-0753

SOUTH AFRICA
Chicago Pneumatic Tool
Company, S.A.
20 Anvil Road
PO Box 105
Isando 1600, Transvaal
South Africa
Telephone: 011-9746761
Fax: 011-974-2324

SOUTH AMERICA
Contact Chicago Pneumatic/USA
for names of CP Authorized
Distributors in this area

SOUTHEAST ASIA
Chicago Pneumatic Tool
Company Regional Office
P.O. Box 1516
Unit 2103 - Citimark
28 Yuen Shun Circuit
Shatin
New Territories, Hong Kong
Telephone: (852) 3570963
Fax: 852-763-1875

SPAIN
Desoutter S.A.
C. Serrano, 120
28006 Madrid, Spain
Telephone: 91 590 31 52
Fax: 91 590 31 61

SWEDEN
Chicago Pneumatic
Distributor Markets
Sickla Industriväg 7
S-131 34 Nacka • Sweden
Telephone: 46 8743 9329
Fax: 46-8743 9427

UNITED KINGDOM
Chicago Pneumatic
Tool Company, Ltd.
P.O. Box 241
Eaton Road
Hemel Hempstead, Herts HP2 7DR
England
Domestic: 01442-847703/06
Export: 01442-232420/17
Fax: 01442-2847723

Visit our website:
<http://www.cp.com>