

Operator's Manual



Chicago Pneumatic
1800 Overview Drive • Rock Hill SC • 29730 USA

CP724H & CP726H Series Impact Wrench

3/8" & 1/2" Sq. Dr. Model "A"



⚠ WARNING

To reduce risk of injury, everyone using, installing, repairing, maintaining, changing accessories on, or working near this tool must read and understand these instructions before performing any such task.

FOR DETAILED INFORMATION ABOUT CHICAGO PNEUMATIC AIR TOOLS AND EQUIPMENT CONTACT:

HEADQUARTERS LOCATION

UNITED STATES

Chicago Pneumatic Tool Company
Automotive Division
1800 Overview Drive
Rock Hill, SC 29730 • USA
Telephone: 1-803-817-7000
1-800-367-2442 (USA only)
Fax: 1-800-228-9096

AUSTRALIA

Atlas Copco Tools Australia
3 Bessemer Street
Blacktown • Australia
Telephone: 02-621-9482
Fax: 02-671-5915

BELGIQUE

Chicago Pneumatic Rep. Office
Avenue Sluysmans 10-4030
Liege • Belgium
Tel/Fax: 04-343 8150

BRASIL

Chicago Pneumatic Brasil
Av. Mascote 159 V. Sta. Catarina
04363-000
Sao Paulo/SP • Brasil
Telephone: (011) 562-7314
Fax: (011) 563-9208

CANADA

Chicago Pneumatic Tool Co.
Automotive Division
1800 Overview Drive
Rock Hill, SC 29730
Telephone: 1-803-817-7000
Fax: 1-800-228-9096

CENTRAL AMERICA

Contact Chicago Pneumatic/USA
for names of CP Authorized
Distributors in this area

FRANCE

Espace Lumière
Bâtiment S
57, Boulevard de la République
78403 Chatou Cédex, France
Telephone: (0) 1 30 09 60 00
Fax: (0) 1 30 71 96 70

GERMANY

Desoutter GMBH
Paul-Friedlander-Str
65203 Wiesbaden • Germany
Telephone: 49-0611-270120/22
Fax: 49-0611-270140

INDIA

Chicago Pneumatic Sales
Chemtex House, First Floor
Main Street
Hiranadani Gardens
Powai, Mumbai 400076, India
Telephone: (22)25704907
(22)25708984
Fax: (22)25705042

ITALY

Desoutter Italiana S.R.L.
Viale Della Repubblica, 65
20035 Lisson (Milano)

MEXICO

Chicago Pneumatic Tool
Company Mexico
San Francisco #223
Valle Dorado, Tlalnepantla
C.P. 54020 • Mexico
Telephone: 525-378-0754
Fax: 525-378-0753

SOUTH AFRICA

Chicago Pneumatic Tool Company, S.A.
20 Anvil Road
PO Box 105
Isando 1600, Transvaal • South Africa
Telephone: 011-9746761
Fax: 011-974-2324

SOUTH AMERICA

Contact Chicago Pneumatic/USA
for names of CP Authorized
Distributors in this area

SOUTHEAST ASIA

Chicago Pneumatic Tool Company
Regional Office
P.O. Box 1516
Unit 2103 - Citimark
28 Yuen Shun Circuit
Shatin
New Territories, Hong Kong
Telephone: (8522) 3570963
Fax: 852-763-1875

SPAIN

Desoutter S.A.
C. Serrano, 120
28006 Madrid • Spain
Telephone: 91 590 31 52
Fax: 91 590 31 61

SWEDEN

Chicago Pneumatic
Distributor Markets
Sickla Industriväg 7
S-131 34 Nacka • Sweden
Telephone: 46 8743 9329
Fax: 46-8743 9427

UNITED KINGDOM

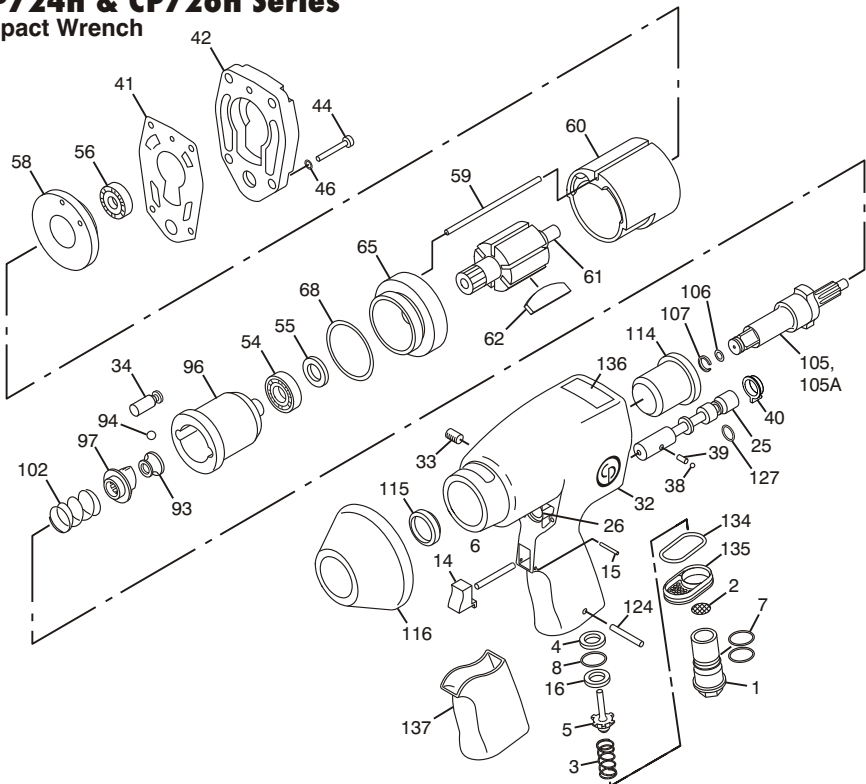
Chicago Pneumatic Tool Company, Ltd.
P.O. Box 241
Eaton Road
Hemel Hempstead, Herts HP2 7DR
England
Domestic: 01442-847703/06
Export: 01442-232420/17
Fax: 01442-2847723

Visit our website:
<http://www.cp.com>



CA155217 Rev M
Printed in JAPAN
KEK 12/05

CP724H & CP726H Series Impact Wrench

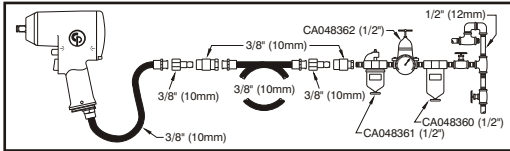


Index No.	Part No.	Description	No. Req'd.	Index No.	Part No.	Description	No. Req'd.
1	CA147022	Bushing-Air Inlet (1/4 in. NPT)	1	60	KF136479	Liner	1
2	CA059037	Screen-Air	1	61	KF136481	Rotor	1
3	CA142464	Spring-Throttle	1	62	KF137810	Blade Set-Rotor	1
4	CA149095	Spacer	1	65	KF136482	Plate-Front End	1
5	CA142460	Valve-Throttle	1	68	C042234	O-Ring	1
6	CA144831	Pin-Throttle Push	1	93	C102506	Ball-Pilot	1
7	C105683	O-Ring (-017)	2	94	C014143	Ball-Steel .219" dia.	1
8	CA149036	O-Ring	1	96	KF137789	Cage-Hammer	1
14	CA147017	Trigger-Throttle	1	97	C119091	Cam-Hammer	1
15	CA144836	Pin-Roll	1	102	KF136495	Spring-Cam Release	1
16	C139037	Seat-Throttle	1	105	CA144779	Shank-Anvil (3/8" Sq. Dr. CP724H) (Incl: Index Nos. 106, 107)	1
25	CA155206	Valve-Reverse	1	105A	KF136506	Shank-Anvil (1/2" Sq. Dr. CP726H) (Incl: Index Nos. 106, 107)	1
26	CA155211	Bushing-Reverse Valve	1	106	CA119716	O-Ring (CP724H)	1
32	CA155209	Housing-Motor (Incl: Index No. 26, 33, 114, 115, 136)	1	106A	P083071	O-Ring (CP726H) (Not Shown)	1
33	S089953	Plug-Pipe (1/16 in. NPT)	1	107	CA092093	Retainer-Socket (CP724H)	1
34	KF137787	Pin-Anvil Hammer	2	107A	CA088097	Retainer-Socket (CP726H) (not shown)	1
38	S008613	Ball	1	114	KF136484	Bushing-Anvil Shank	1
39	CA147021	Spring-Detent	1	115	KF136490	Seal-Oil	1
40	CA155212	Switch	1	116	KF136495	Shield-Noise	1
41	CA155213	Gasket-Housing Cover	1	124	R086991	Pin-Roll	1
42	CA155207	Cover-Motor Housing	1	127	C148187	O-Ring	1
44	CA088193	Screw-Hex Socket Head	4	134	CA148528	Gasket	1
46	S091250	Lockwasher	4	135	CA147023	Deflector-Exhaust	1
54	S065618	Bearing-Ball	1	136	CA155878	Decal-Safety Warning	1
55	C090396	Seal-Grease	1	137	8940158432	Grip	1
56	C075878	Bearing-Ball	1				
58	KF136477	Plate-Rear End	1				
59	KF136504	Dowel-Liner	1				

INSTRUCTION MANUAL

Air Supply Requirements

1. Supply tool with 90 psig (6.2 bar) of clean, dry air. Higher pressure drastically reduces tool life.
2. Connect tool to air line using pipe, hose, and fitting sizes shown in the diagram.



Lubrication

1. Use an air line lubricator with SAE #10 oil, adjusted to two (2) drops per minute. If an air line lubricator cannot be used, add air motor oil to the inlet once a day.
2. Check clutch oil once each month. Use 3/4 oz. (22ml) of SAE#30 oil or equivalent.

Operation

This impact wrench is equipped with a regulator to enable adjustment of output power. Turn the regulator knob counter clockwise for maximum power, clockwise to reduce power.

Maintenance

1. Disassemble and inspect air motor and impacting clutch every three (3) months if the tool is used every day. Replace damaged or worn parts.
2. High wear parts are underlined in the parts list.
3. To keep downtime to a minimum, the following service kits are recommended:

Tune-Up Kit CA155218 (CP724H), CA155309 (CP7264H)

(Incl: 7, 8, 41, 55, 62, 68, 106, 107, 115 & 127)

Repair Kit CA155310 (CP724H), CA155311 (CP726H)

(Incl: 7, 8, 34, 41, 55, 62, 68, 94, 102, 105, 106, 107, 115 & 127)

EC DECLARATION OF CONFORMITY

We, Chicago Pneumatic Tool Company, 1800 Overview Drive, Rock Hill, SC 29730 USA, declare under our sole responsibility that the product to which this declaration relates, is in conformity with the requirements of the Council Directive of June 1998 on the approximation of the laws of the Member States relating to machinery (98/37/EC).

Machine Name CP724H & CP726H Series Impact Wrench

Machine Type Assembly Power Tool for Threaded Fasteners No other use is permitted.

Serial No. Tools with No. F-001- or higher

Technical Data

3/8" Sq. Dr. (CP724H)

1/2" Sq. Dr. (CP726H)

Air pressure 90 psi (6.2 bar)

Harmonized Standards Applied EN292

National Standards Applied ISO 8662 7, ISO 15744 2002

Name And Position Of Issuer W.A. LeNeveu,
President, Chicago Pneumatic Tool Company

Signature Of Issuer 

Place And Date Of Issue Rock Hill, SC 29730 USA,
July 31, 1998

Noise & Vibration Declaration*

Sound pressure level 93 dB(A), uncertainty 3 dB(A), in accordance with ISO 15744 2002. For sound power, add 11 dB(A).
Vibration value <2.5 m/s², re. ISO 8662 7.

*These declared values were obtained by laboratory type testing in compliance with the stated standards and are not adequate for use in risk assessments. Values measured in individual work places may be higher than the declared values. The actual exposure values and risk of harm experienced by an individual user are unique and depend upon the way the user works, the workpiece and the workstation design, as well as upon the exposure time and the physical condition of the user. We, Chicago Pneumatic, cannot be held liable for the consequences of using the declared values, instead of values reflecting the actual exposure, in an individual risk assessment in a work place situation over which we have no control.



⚠ WARNING

To reduce risk of injury, everyone using, installing, repairing, maintaining, changing accessories on, or working near this tool must read and understand these instructions before performing any such task.

2

The goal of Chicago Pneumatic is to produce tools that help you work safely and efficiently. The most important safety device for this or any tool is YOU. Your care and good judgment are the best protection against injury. All possible hazards cannot be covered here, but we have tried to highlight some of the important ones.

For Additional Safety Information Consult:

- ▲ Your employer union and/or trade association.
- ▲ US Department of Labor (OSHA); www.osha.gov; Council of the European Communities europe.osha.eu.int.
- ▲ "Safety Code For Portable Air Tools" (B186.1) available from: www.ansi.com
- ▲ "Safety Requirement For Hand-Held Non-Electric Power Tools" available from: European Committee for Standardization, www.cenorm.be

Air Supply And Connection Hazards

- ▲ Air under pressure can cause severe injury.
- ▲ Always shut off air supply, drain hose of air pressure and disconnect tool from air supply when not in use, before changing accessories or when making repairs.
- ▲ Never direct air at yourself or anyone else.
- ▲ Whipping hoses can cause serious injury. Always check for damaged or loose hoses and fittings.
- ▲ Do not use quick disconnect couplings at tool. See instructions for correct set-up.
- ▲ Whenever universal twist couplings are used, lock pins must be installed.
- ▲ Do not exceed maximum air pressure of 90 psi (6.2 bar) or as stated on tool nameplate.

Entanglement Hazards

- ▲ Keep away from rotating drive.
- ▲ Do not wear jewelry or loose clothing.
- ▲ Choking can occur if neckwear is not kept away from tool and accessories.
- ▲ Scalping can occur if hair is not kept away from tool and accessories.
- ▲ Avoid direct contact with accessories during and after use. Gloves will reduce the risk of cuts or burns.
- ▲ Use only proper accessory retainers (see parts list). Use deep sockets wherever possible.

Projectile Hazards

- ▲ Always wear impact-resistant eye and face protection when involved with or near the operation, repair or maintenance of the tool or changing accessories on the tool.
- ▲ Be sure all others in the area are wearing impact-resistant eye and face protection.
- ▲ Even small projectiles can injure eyes and cause blindness.
- ▲ Use only impact wrench sockets and accessories in good condition. Sockets in poor condition or hand sockets and accessories used with impact wrenches can shatter.
- ▲ Always use the simplest hook-up possible. Long, springy extension bars and adapters absorb impact power and could break. Use deep sockets wherever possible.

- ▲ Never operate the tool off of the work. It may run too fast and cause the accessory to be thrown off the tool.
- ▲ Serious injury can result from over-torqued or under-torqued fasteners, which can break, or loosen and separate. Released assemblies can become projectiles. Assemblies requiring a specific torque must be checked using a torque meter.

Note: So-called "click" torque wrenches do not check for potentially dangerous over-torque conditions.

Workplace Hazards

- ▲ Slip/Trip/Fall is a major cause of serious injury or death. Beware of excess hose left on the walking or work surface.
- ▲ High sound levels can cause permanent hearing loss. Use hearing protection as recommended by your employer or OSHA regulation (see 29 CFR part 1910).
- ▲ Maintain a balanced body position and secure footing.
- ▲ Be in control of the throttle at all times. Do not get caught between the tool and the work.
- ▲ Repetitive work motions, awkward positions and exposure to vibration can be harmful to hands and arms. If numbness, tingling, pain or whitening of the skin occurs, stop using the tool and consult a physician.
- ▲ Avoid inhaling dust or handling debris from the work process which can be harmful to your health. Use dust extraction and wear respiratory protective equipment when working with materials which produce airborne particles.
- ▲ Proceed with care in unfamiliar surroundings. Be aware of potential hazards created by your work activity. This tool is not insulated for coming into contact with electric power sources.
- ▲ Some dust created by power sanding, sawing, grinding, drilling and other construction activities contains chemicals known to the State of California to cause cancer and birth defects or other reproductive harm. Some examples of these chemicals are:
 - Lead from lead based paints
 - Crystalline silica bricks and cement and other masonry products
 - And Arsenic and chromium from chemically-treated rubberYour risk from these exposures varies, depending on how often you do this type of work. To reduce your exposure to these chemicals: work in a well ventilated area, and work with approved safety equipment, such as dust masks that are specially designed to filter out microscopic particles.

Additional Safety Topics

- ▲ This tool and its accessories must not be modified.
- ▲ This tool is not recommended for use in explosive atmospheres.
- ▲ Operators and maintenance personnel must be physically able to handle the bulk, weight and power of the tool.
- ▲ For professional use only.

SAFETY INSTRUCTIONS

DO NOT DISCARD - GIVE TO USER