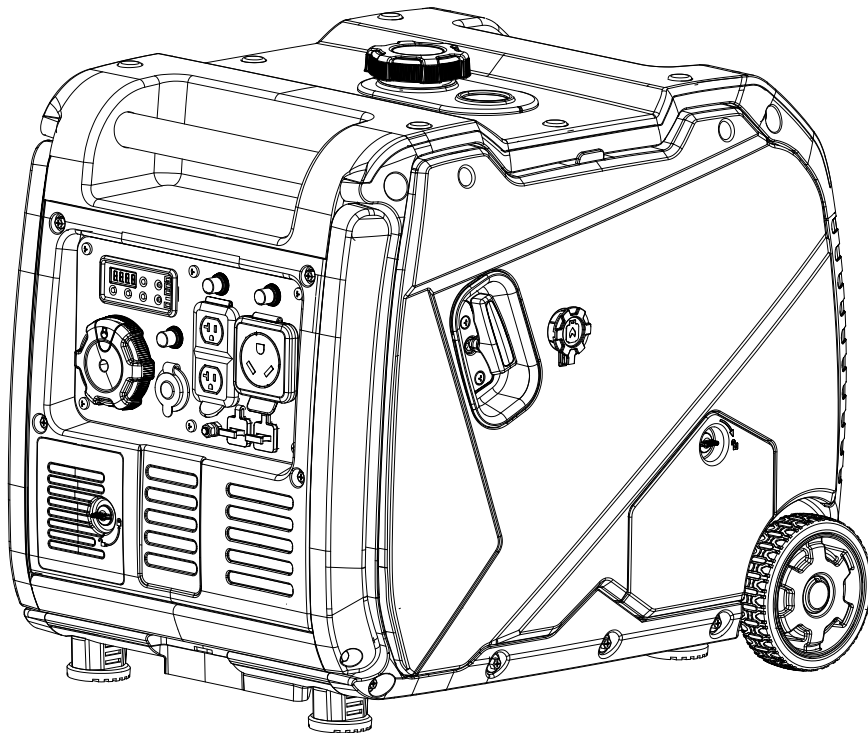




Champion Power Equipment, Inc., Santa Fe Springs, CA USA

MODEL #200994



PARTS INFORMATION

4650W DUAL FUEL INVERTER GENERATOR

SERIAL NUMBER RANGE: ALL



To order replacement parts please visit:
shop.championpowerequipment.com
or call **1-877-338-0999**.

TABLE OF CONTENTS

Inverter Generator Parts Diagram	3
Inverter Generator Parts List	4
Engine Parts Diagram	6
Engine Parts List	7
Cylinder Head Diagram	9
Cylinder Head List	10
Carburetor Diagram	11
Carburetor List	12
Frame Assembly Diagram	13
Frame Assembly List	14
Fuel Tank Diagram	15
Fuel Tank List	16
Outlet Panel Diagram	17
Outlet Panel List	18
Wheel Kit Diagram	19
Wheel Kit List	20
Wiring Diagram	21

INVERTER GENERATOR PARTS DIAGRAM

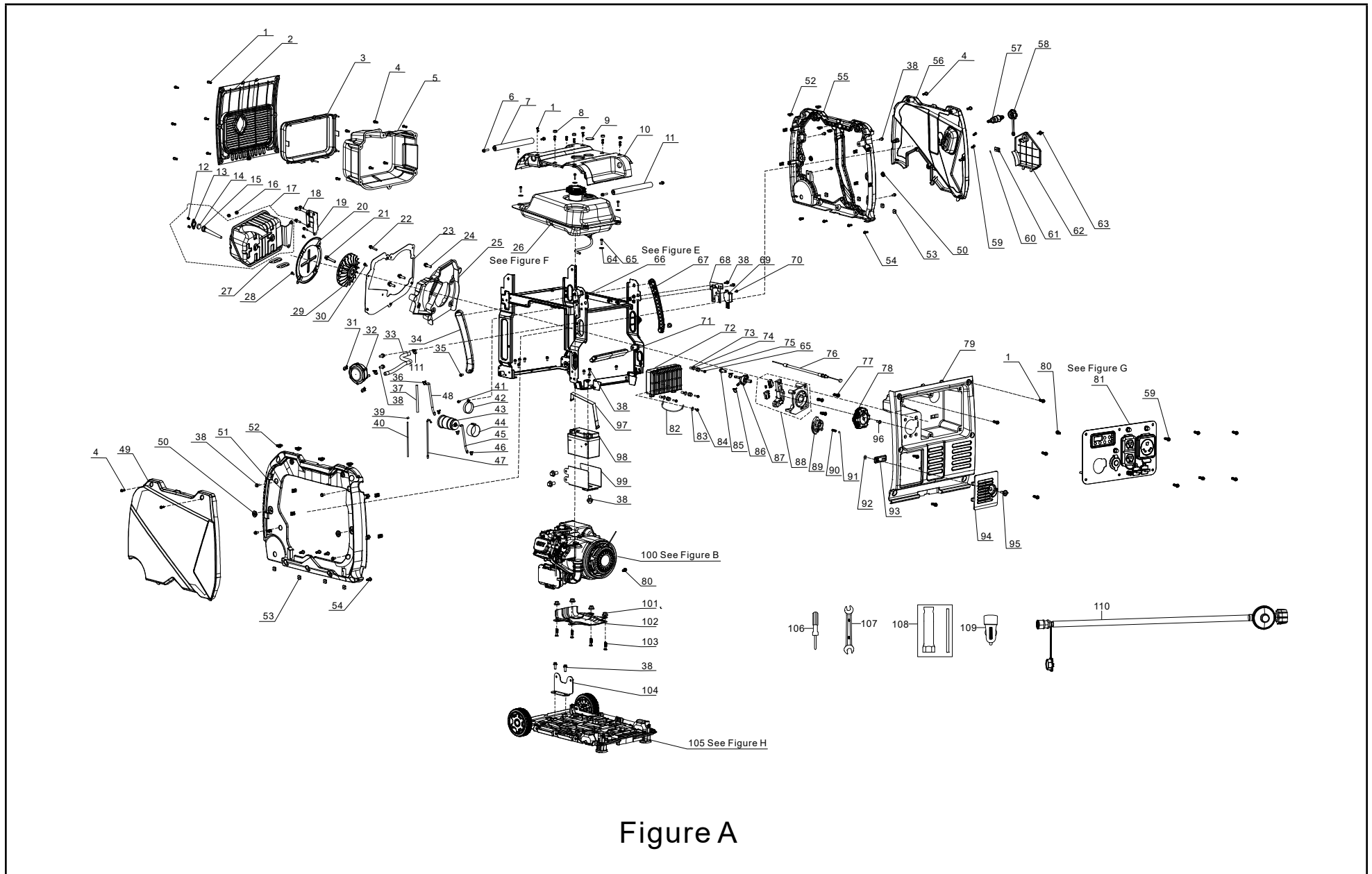


Figure A

INVERTER GENERATOR PARTS LIST

#	Part Number	Description	Qty.
1	90208-YB00410-0000	Hexagonal Step Bolt, M5 x 16, Black Zinc	20
2	18002HYBW0110-Q201	Louver, Muffler	1
3	18018-Y2P0120-0001	Insulator Glue Cushion, Muffler	1
4	90208-YB00210-0000	Hexagonal Step Bolt, M5 x 12, Black Zinc	10
5	18130HYBW0110-Q201	Muffler Guard	1
6	90001-0830-03	Hexagon Flange Bolt, M8 x 30, Black Zinc	4
7	80153HYBW0210-H801	Handle 2, Ø28 x 332	1
8	90722-YBW0110-0001	Plug 1, End	6
9	37205-Y2V0310-00A1	Fuel Level View, Fuel Gauge	1
10	94230HYBW0110-Q201	Cover, Upper	1
11	80153HYBW0110-H801	Handle 1, Ø28 x 273	1
12	18012-Z800310-0000	Bolt, M5 x 10, Spark Arrestor	2
13	18213-Z800310-0000	Cover Plate, Spark Arrestor	1
14	18218-Z800210-0000	Muffling Block	1
15	18250-Z800210-0000	Spark Arrestor	1
16	90303-0800-31A0	Flange Nut, M8, Blue White Zinc	2
17	18100-YBW0111-00A0	Muffler Assembly	1
18	90007-0612-A1A0	Hexagon Flange Bolt, M6 x 12, Blue White Zinc	2
19	18030HYBW0110-H300	Muffler Bracket	1
20	18020-YBW0110-0000	Plate, Muffler Insulator	1
21	90001-0820-01A0	Hexagon Flange Bolt, M8 x 20, Blue White Zinc	1
22	90007-0635-A1A0	Hexagon Flange Bolt, M6 x 35, Blue White Zinc	1
23	18299HYBW0121-0000	Bracket, Muffler Guard	1
24	90001-0816-01A0	Hexagon Flange Bolt, M8 x 16, Blue White Zinc	5
25	28110HYBW0111-Q200	Shroud	1
26	200994 - YXZJ - F	Fuel Tank Assembly - See Figure F	1
27	18001-Z950110-00A0	Exhaust Outlet Gasket	2

#	Part Number	Description	Qty.
28	90134-YB00110-0000	Bolt, Cross Hexagon Pan Head, M5 x 12, Black Zinc	2
29	19352HYBW0110-Q2A0	Engine Fan	1
30	90124-Y9T0310-00A0	Tapping Screw, PT4×13	1
31	90748-0812-00A0	Clamp, Ø8 x 12	2
32	77100-Z3R0310-0000	Regulator, Auxiliary	1
33	90729-YJR0110-0000	Pipe, Ø9.5 x Ø16.8 x 300	1
34	54912HYBW0110-Q201	Left, Rotating Arm	1
35	90001-0616-03	Hexagon Flange Bolt, M6 x 16, Black Zinc	2
36	90685-Z030220-0000	Clamp, Ø7.5 x 0.6 x 8	2
37	30431-YBW0210-0001	Rubber Sleeve, Ø10 x Ø11 x 180	1
38	90001-0612-01A0	Hexagon Flange Bolt, M6 x 12, Blue White Zinc	26
39	90683-Z870310-00A0	Bushing, Ø6.5 x 12 x 5	1
40	30431-Y020110-0001	Rubber Sleeve, Fuel Pipe	1
41	90001-0620-01A0	Hexagon Flange Bolt, M6 x 20, Blue White Zinc	1
42	16806-YBW0110-QCA0	Mounting Plate, Carbon Canister	1
43	16801-YDR0110-00A0	Carbon Canister, Ø71 x 150, 240cc	1
44	30431-YBW0110-0001	Rubber Sleeve, Carbon Canister	1
45	16805-YDR0110-0001	Connection Pipe, Ø7.5 x Ø11 x 255, Air Cleaner	1
46	90685-Z030410-0000	Clamp, Ø10.7 x 8 x 0.8	2
47	16804-YBW0210-0001	Connection Pipe, Ø4.5 x Ø8.5 x 335	1
48	16804-YBW0110-0001	Connection Pipe, Ø4.5 x Ø8.5 x 265	1
49	80092HYJR0210-L400	Cover Board, Left	1
50	16601-Y2V0210-0001	Vibration Mount 2, Fuel Tank	4
51	80091HYBW0110-Q201	Shell, Left	1
52	17199-YB00110-00A0	Clip Nut, M5, White Zinc	16
53	90326-Y2V0110-00A0	Square Nut, M6, White Zinc	8
54	90208-YB00110-0000	Hexagonal Step Bolt, M6 x 20, Black Zinc	8

#	Part Number	Description	Qty.
55	80095HYBW0110-Q201	Shell, Right	1
56	80096HYJR0210-L400	Cover Board, Right	1
57	16021-YJR0210-0000	Inlet Connection	1
58	90722-YJR0110-0000	Plug, Gas	1
59	90255-0512-53	Cross Recess Pan Head Screw & Washer Assembly, Black Zinc	8
60	37073-Y2V0110-00A0	Clip, Spring	1
61	24329-Y9T0120-Q201	Block 1	1
62	51197HYH30110-L401	Side Access Panel, Service	1
63	80105-YB00110-Q201	Knob, Side Access Panel, Service	1
64	90408-Y020310-00A0	Flat Washer, Ø25 x Ø6.2 x 2, White Zinc	4
65	90001-0625-01A0	Hexagon Flange Bolt, M6 x 25, White Zinc	7
66	200994 - JJZJ - E	Frame - See Figure E	1
67	54912HYBW0210-Q201	Right, Rotating Arm	1
68	51124-YJR0110-0000	Mounting Bracket	1
69	30060-YH30110-0000	AVR	1
70	90001-0612-03	Hexagon Flange Bolt, M6 x 12, Black Zinc	1
71	54913-YBW0110-0P00	Rotating Bar	1
72	30043-YH30110-0000	Inverter	1
73	90683-Y2P0210-00A0	Bushing, Ø11 x Ø7 x 16	3
74	90406-0600-E1A0	Flat Washer, Ø6.4 x Ø18 x 1.6, White Zinc	3
75	30431-Y2P0110-0001	Rubber Sleeve	3
76	16080-YBW0110-0000	Choke Handle Subassembly	1
77	90129-0416-01A0	Cross Recess Countersunk Head Tapping Screw, -ST4.2x16, White Zinc	3
78	35643HYH30210-Q2A1	Knob, Switch Dial, Engine	1
79	35680HYBW0110-Q201	Seat, Panel	1
80	90001-0610-01A0	Hexagon Flange Bolt, M6 x 10, White Zinc	2
81	35610-YJR0110-H200	Panel Assembly - See Figure G	1
82	30009-YH30110-0000	Grounding Wire	1
83	90408-0500-E1A0	Flat Washer, Ø5, Blue White Zinc	1
84	90005-0408-00	Hexagon Screw, M4 x 8, White Zinc	1

#	Part Number	Description	Qty.
85	90001-0614-01A0	Hexagon Flange Bolt, M6 x 14, Blue White Zinc	1
86	90685-Z030610-0400	Clamp, Ø8 x 7 x 0.6, Army Green Zinc	2
87	16750-Y2V0141-00A0	Fuel Valve Assembly	1
88	35160-YH30110-0000	Switch Assembly, Engine	1
89	94111-Y2V0410-00A1	Cover Board, 45x14	1
90	16527-Y2V0210-0000	Spring, Stopper Adjusting	1
91	90543-0500-00A0	Ball, Steel	1
92	90341-YA50110-0000	Nylon Nut, M5, Black, Zinc	1
93	24329-YCF0110-Q201	Block 2	1
94	31123HYBW0110-Q201	Cover, Battery	1
95	90208-Y9T0120-0000	Hexagonal Step Bolt, M5 x 16, 6mm	1
96	90103-0416-51A0	Cross Recess Pan Head Tapping Screw, M4 x 16, White Zinc	1
97	31115-YBW0110-0001	Band, Battery, 177x24.5x3.8	1
98	31110-Y030610-00A0	Battery	1
99	31130-YBW0210-QCA0	Battery Holder	1
100	R30AIEPNPFB-CMP309	Engine Assembly - See Figure B	1
101	90305-0800-31A0	Hexagon Flange Nut, M8, White Zinc	4
102	19306-Z1D0110-0000	Crankcase Air Deflector	1
103	90001-0840-01A0	Hexagon Flange Bolt, M8 x 40, White Zinc	4
104	17003HYBW0110-H701	Air Cleaner Support	1
105	200994 - Figure - H	Wheel kit - See Figure H	1
106	93120-Y020310-0002	Screwdriver	1
107	93107-Y920210-0100	Wrench, 8 x 10	1
108	93130-Z010410-0100	Spark Plug Socket	1
109	35613-YBE0110-0000	12VDC USB Adapter	1
110	77300HYJR0111-0000	LPG Hose with Regulator	1
111	90748-1016-00A0	Clamp, Ø10 x 16	2

ENGINE PARTS DIAGRAM

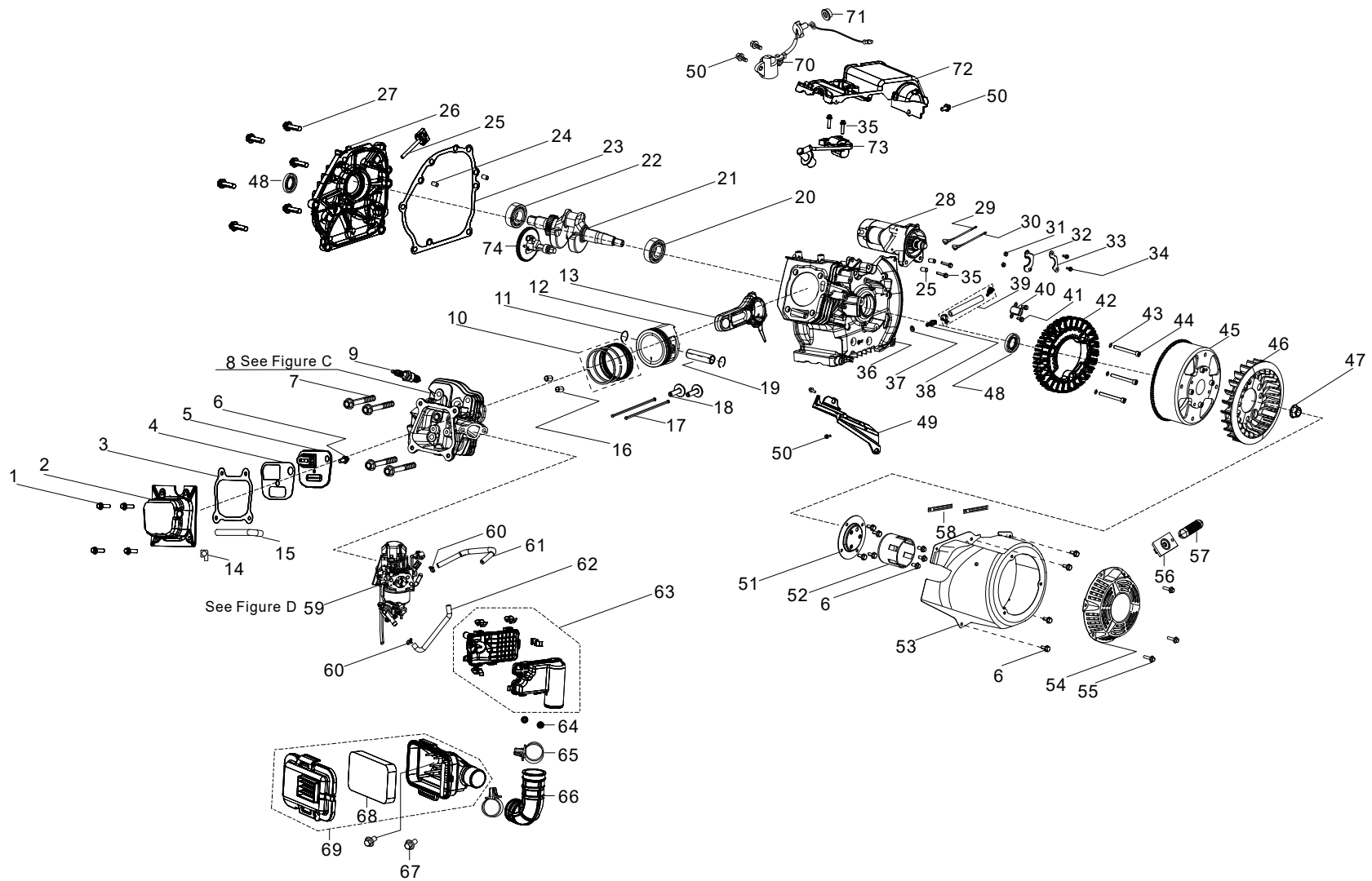


Figure B

ENGINE PARTS LIST

#	Part Number	Description	Qty.
1	90001-0620-01A0	Hexagon Flange Bolt, M6 x 20, Blue White Zinc	4
2	12410-Z1D0110-00A0	Cylinder Head Cover Subassembly, Blue White Zinc	1
3	12004-Z1D0110-0000	Cylinder Head Cover Gasket	1
4	11332-Z1D0110-0000	Gasket, Breather Groove Cover	1
5	11320-Z1D0110-0000	Assembly, Breather	1
6	90001-0612-01A0	Hexagon Flange Bolt, M6 x 12, Blue White Zinc	12
7	12003-Z010110-00A0	Cylinder Head Bolt, M8 x 60, Black Zinc	4
8	200994-QGT-C	Cylinder Head - See Figure C	1
9	30010-Z010110-00A0	Spark Plug, F6RTC	1
10	13200-Z140210-00A9	Piston Ring Assembly	1
11	13122-Z010110-0000	Piston Pin Clip	2
12	13111-Z950110-00A9	Piston	1
13	13010-Z950110-00A0	Connecting Rod	1
14	90804-Y5Z0210-0001	Stop Block	1
15	17004-Z1D0110-0000	Tube, Breather	1
16	90502-1114-00A0	Pin, 11 x 14	2
17	14071-Z950110-0000	Valve Lifter	2
18	14081-Z040110-00A0	Valve Tappet	2
19	13121-Z010110-0000	Piston Pin, Ø18 x Ø54	1
20	90547-6305-00A1	Bearing	1
21	13300-Z1D0110-0000	Crankshaft Assembly	1
22	90547-0205-00A0	Bearing	1
23	11001-Z010120-0000	Crankcase Gasket	1
24	90502-0812-00A0	Pin, 8 x 12	4
25	15010-Z010130-Q200	Oil Dipstick Subassembly	1
26	11411-Z1D0110-00A0	Crankcase Cover	1
27	90001-0832-01A0	Hexagon Flange Bolt, M8 x 32, Blue White Zinc	6

#	Part Number	Description	Qty.
28	30300-Z1D0210-0000	Starting Motor Assembly	1
29	31112HYH30110-0000	Positive Wire	1
30	31114HYH30110-0000	Negative Wire	1
31	90305-0500-31A0	Hexagon Flange Nut, M6, Blue White Zinc	2
32	54066-YE50110-0900	Wiring Clamp, White Zinc	1
33	30002-Z1D0110-0000	Magneto Wiring Clamp	1
34	90001-0520-01A0	Hexagon Flange Bolt, M5 x 20, Blue White Zinc	2
35	90001-0628-01A0	Hexagon Flange Bolt, M6 x 28, Blue White Zinc	4
36	11310-Z1D0110-00A9	Crankcase Subassembly	1
37	90408-Z010510-00A0	Flat Washer, Ø10 x Ø15.8 x 1.5	1
38	90689-Z430211-0000	Joint, Fuel Pipe, White Zinc	1
39	11011HZ1D0210-L400	Oil Drain Hose	1
40	30130-Z1D0310-0000	Trigger	1
41	90001-0516-01A0	Hexagon Flange Bolt, M5 x 16, Blue White Zinc	2
42	30120-YH30110-0000	Stator Component, Ø152 x 38	1
43	90408-0600-E1A0	Washer, Ø6, Blue White Zinc	3
44	90102-0660-06A0	Hexagon Socket Cap Screw, M6 x 60	3
45	30110-YH30110-0000	Rotor Component	1
46	19352-Z1D0110-00A0	Engine Fan	1
47	13501-Z010110-00A0	Flywheel Nut, M14 x 1.5, Blue White Zinc	1
48	90682-Z010110-0000	Oil Seal, Ø25 x Ø41.25 x 6	2
49	19309-Z1D0110-0000	Right Shield, Crankcase	1
50	90001-0616-01A0	Hexagon Flange Bolt, M6 x 16, Black Zinc	5
51	28020-Z150120-0000	Starter Pulley Base	1
52	28002-Z1D0110-0000	Starter Pulley	1
53	28110-Z1D0110-H600	Shroud	1
54	28200-Z1D0410-H600	Recoil Starter Assembly	1

#	Part Number	Description	Qty.
55	90251-0608-03	Bolts & Washer Assembly	3
56	28004-YHX0110-Q200	Guide Plate, Starter Rope	1
57	28210-YEB0110-L400	Handle, Starter Rope	1
58	90684-Z030120-0000	Clip, 10.6 x100	2
59	200994-HYQ-D	Carburetor - See Figure D	1
60	90748-0812-00A0	Clamp, Ø8 x 12	2
61	90729-YEY0310-0000	Pipe, Ø6.3 x Ø13 x 260	1
62	90729-YEY0410-0000	Pipe, Ø6.3 x Ø13 x 210	1
63	17400-Z1D0112-00A0	Air Cleaner, Auxiliary	1
64	90305-0600-31A0	Hexagon Flange Nut, M6, Blue White Zinc	2
65	12081-Z1D0110-0000	Clamp, Ø53.5 x 9	2
66	12510-Z1D0110-0001	Intake Pipe	1
67	90001-0625-01A0	Hexagon Flange Bolt, M6 x 25, Blue White Zinc	2
68	17151-Z1D0110-0000	Element, Air Cleaner	1
69	17100-Z1D0112-0001	Air Cleaner	1
70	37060-Z1D0112-0000	Engine oil Sensor, W/O Nut	1
71	90305-Z010210-01A0	Hexagon Flange Nut, M6, Blue White Zinc	1
72	16675-Z1D0112-0000	Shield	1
73	30400-Z1D0311-0000	Ignition Coil	1
74	14200-Z1D0110-00A9	Camshaft Assembly	1

CYLINDER HEAD DIAGRAM

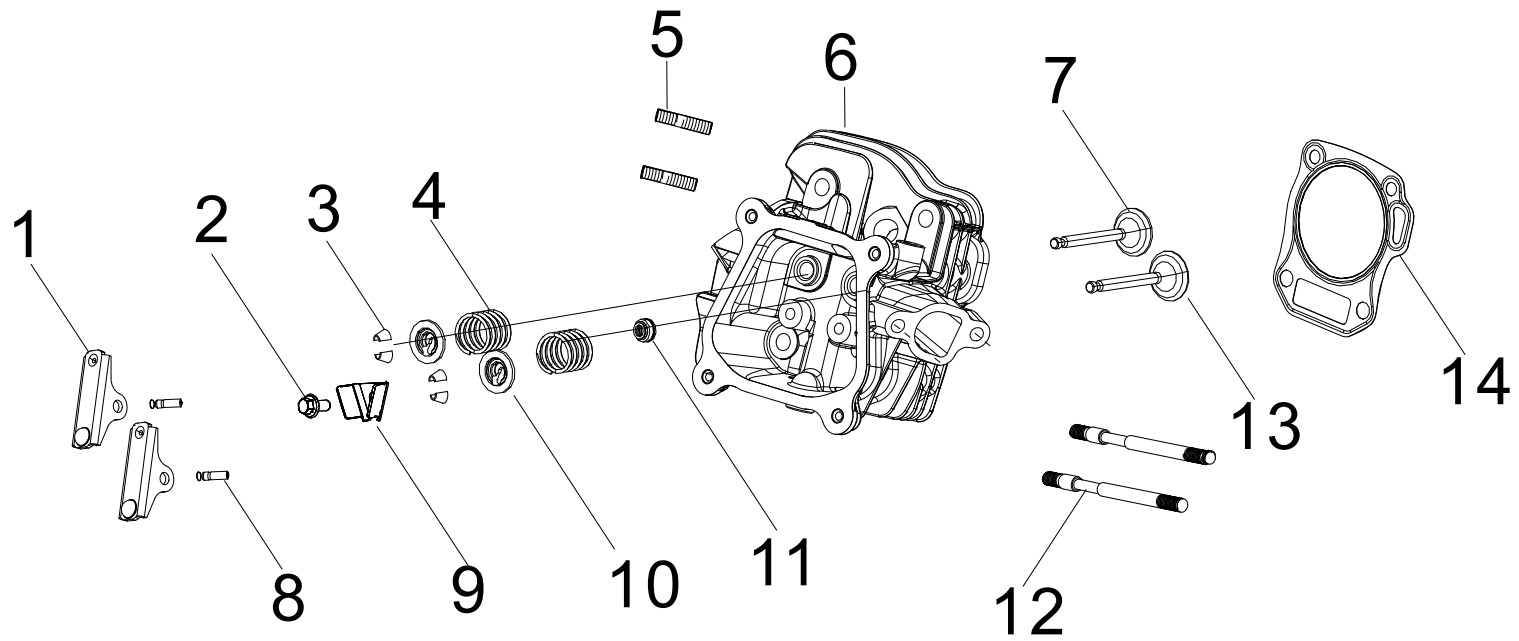


Figure C

CYLINDER HEAD LIST

#	Part Number	Description	Qty.
1	14310-Z950110-0000	Valve Rocker Subassembly	2
2	90001-0612-01A0	Hexagon Flange Bolt, M6 x 12, Blue White Zinc	1
3	12109-Z810110-0000	Valve Lock Clamp	4
4	12103-Z010110-00A0	Valve Spring, Ø20 x 1.8 x 30.5	2
5	90203-Z010110-0000	Stud, M8 x 34, Black Zinc	2
6	12140-Z950310-00A0	Cylinder Head Subassembly	1
7	12121-Z950110-0000	Exhaust Valve	1
8	14318-Z950110-0000	Valve Rocker Shaft Subassembly	2
9	12419-Z950310-00A0	Pin Plate, Cylinder Head Cover	1
10	12112-Z810210-00A0	Valve Spring Retainer	2
11	12101-Z810210-0000	Seal Guide	1
12	90207-Z330210-0000	Stud, M6 x 105, Black Zinc	2
13	12111-Z950110-0000	Inlet Valve	1
14	12131-Z950210-0000	Cylinder Head Gasket	1

CARBURETOR DIAGRAM

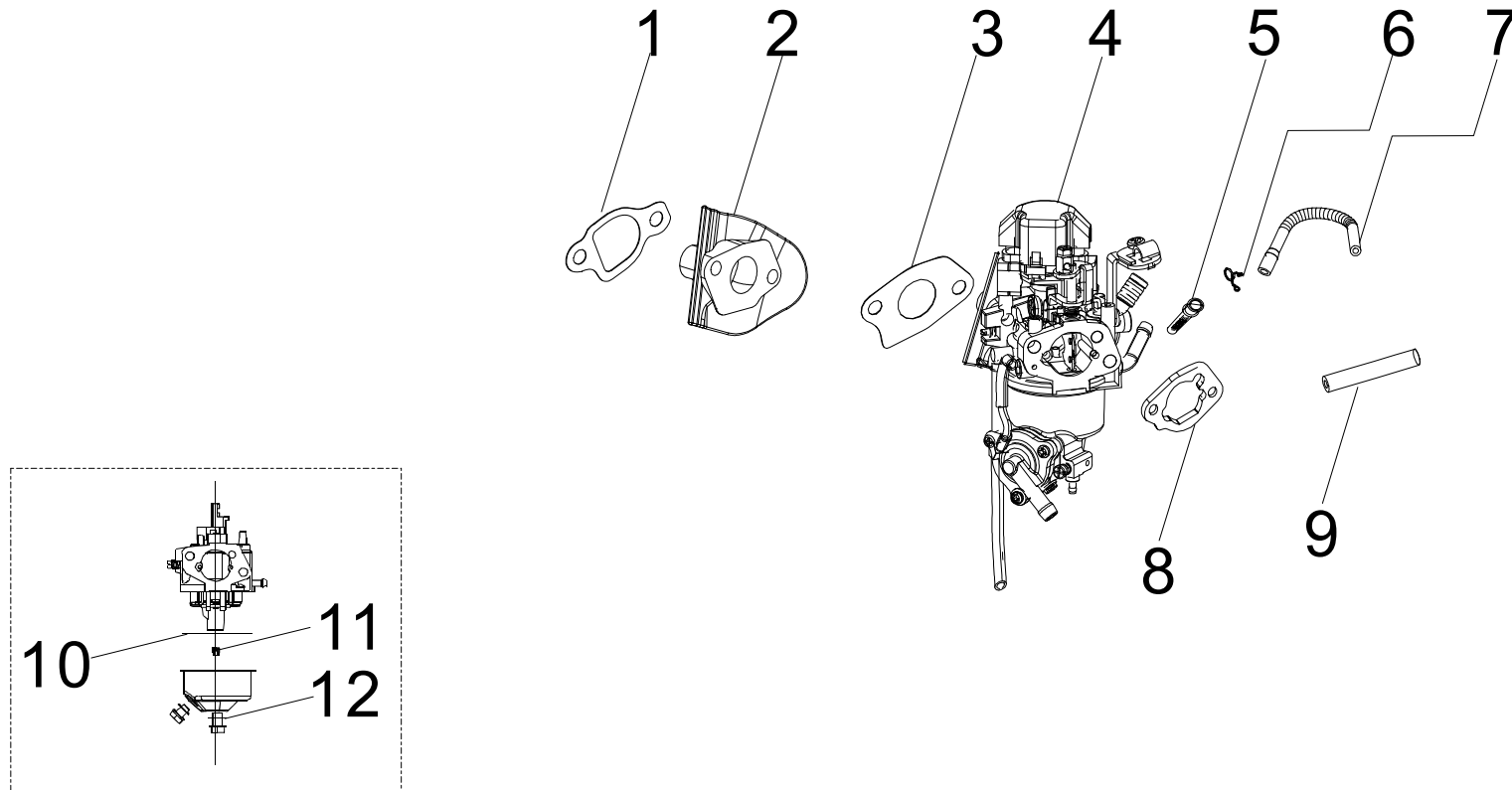


Figure D

CARBURETOR LIST

#	Part Number	Description	Qty.
1	16002-Z950110-0000	Carburetor Insulator Gasket	1
2	16003-Z1D0110-0000	Carburetor Insulator Plate	1
3	16001-Z010110-0000	Carburetor Gasket	1
4	16100-Z3R0310-00A0	Carburetor Assembly	1
5	16652-Z800110-00A0	Fuel Filter	1
6	90685-Z080210-0000	Clamp, Ø9 x Ø0.8 x 8, Army Green Zinc	1
7	90686-YBW0310-00M0	Fuel Pipe, Ø4.5 x Ø8.5 x 260	1
8	17001-Z1D0110-0000	Air Cleaner Gasket	1
9	30431-YBW0210-0000	Rubber Sleeve, Ø10 x Ø11 x 180	1
10	16112-Z010110-0000	Seal Ring, Ø48.5 x Ø51.5, Float	1
11	16161-Z152410-00A0	Main Jet (83#), Standard	1
	16161-Z152210-00A0	Main Jet (81#), Altitude 3000-6000 Feet	/
	16161-Z152010-00A0	Main Jet (79#), Altitude 6000-8000 Feet	/
12	90681-Z010610-0000	Seal Ring	1

FRAME ASSEMBLY DIAGRAM

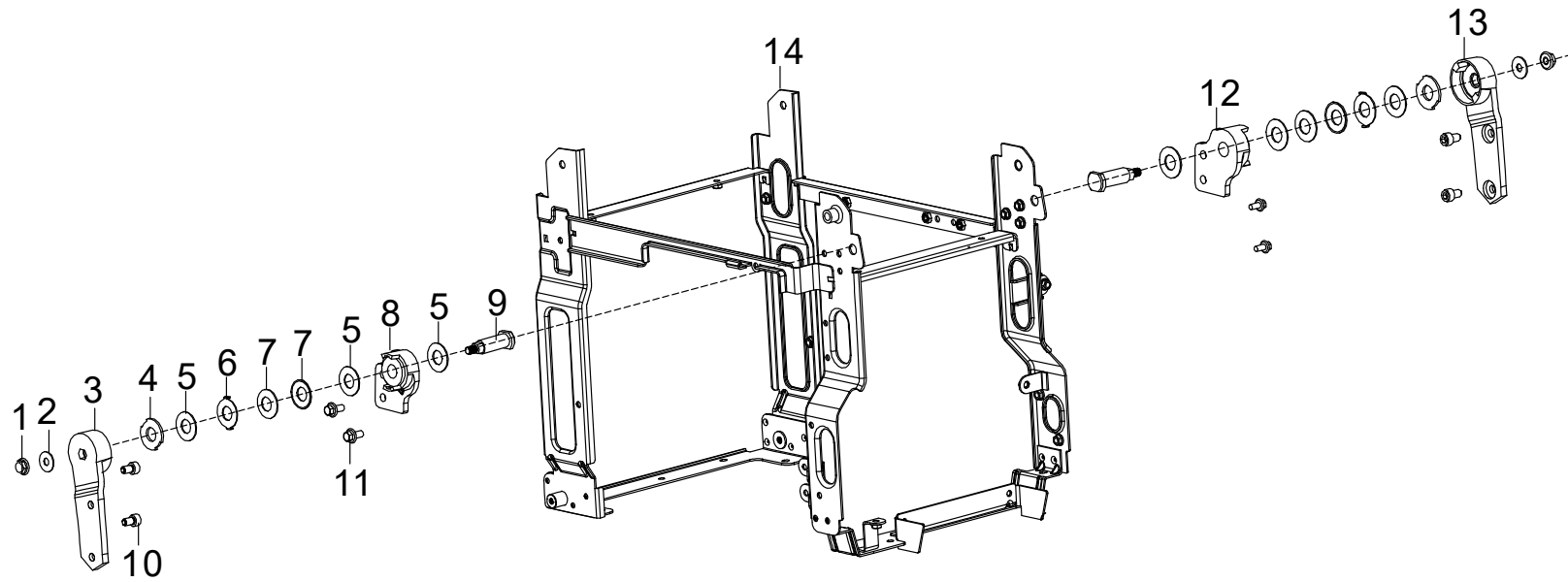


Figure E

FRAME ASSEMBLY LIST

#	Part Number	Description	Qty.
1	90341-Y2D0210-00A0	Nylon Nut, M6, Blue White Zinc	2
2	90408-Y840210-00A0	Flat Washer, Ø18 x 6.5 x 1.5, White Zinc	2
3	54122-YBW0110-H700	Left Seat 2, Handle Tube Connector	1
4	90412-YBW0110-Q200	Flat Washer, Ø12.2 x 27 x 2	2
5	90412-YBW0210-01A0	Flat Washer, Ø13 x 25 x 1, White Zinc	6
6	94101-YBW0110-01A0	Position Block, Ø12.2 x 25 x 1, Blue White Zinc	2
7	90419-YBW0110-0300	Washer, Butterfly, Ø12.2 x 25 x 1x 2, Black Zinc	4
8	54113-YBW0120-00A0	Left Seat 1, Handle Tube Connector	1
9	26231-YBW0110-00A0	Shaft, Fixed Axis, Black Zinc	2
10	90001-0610-03	Hexagon Flange Bolt, M6 x 10, Black Zinc	4
11	90001-0616-01A0	Hexagon Flange Bolt, M6 x 16, Blue White Zinc	4
12	54113-YBW0220-00A0	Right Seat 1, Handle Tube Connecting	1
13	54122-YBW0210-H700	Right Seat 2, Handle Tube Connecting	1
14	51100-YJR0110-H7A0	Frame Assembly	1

FUEL TANK DIAGRAM

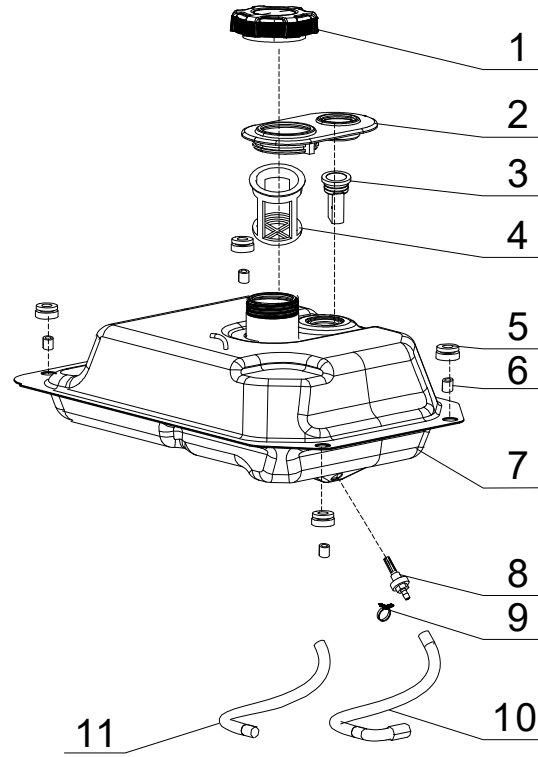


Figure F

FUEL TANK LIST

#	Part Number	Description	Qty.
1	16730-YH30110-Q2A0	Fuel Tank Cap	1
2	16641-YBW0110-0001	Rubber Sleeve, Fuel Fill Hole	1
3	37200-Y5V0110-00A1	Fuel Gauge	1
4	16652-Y9T0110-00A1	Fuel Filter	1
5	16601-Y020120-0001	Vibration Mount, Ø16 x 12.5, Fuel Tank	4
6	90683-Y020110-0000	Bushing, Blue White Zinc	4
7	16620-YBW0110-H7A1	Fuel Tank	1
8	16680-Y2P0110-00A1	Fuel Tank Fuel Outlet Subassembly	1
9	90685-Z020110-0000	Clamp, Ø9.5 x 0.8 x 8, Army Green Zinc	1
10	90686-YBW0210-00M1	Fuel Pipe, Ø4.5 x Ø8.5 x 130	1
11	30431-Y020110-0001	Rubber Sleeve, Fuel Pipe	1

OUTLET PANEL DIAGRAM

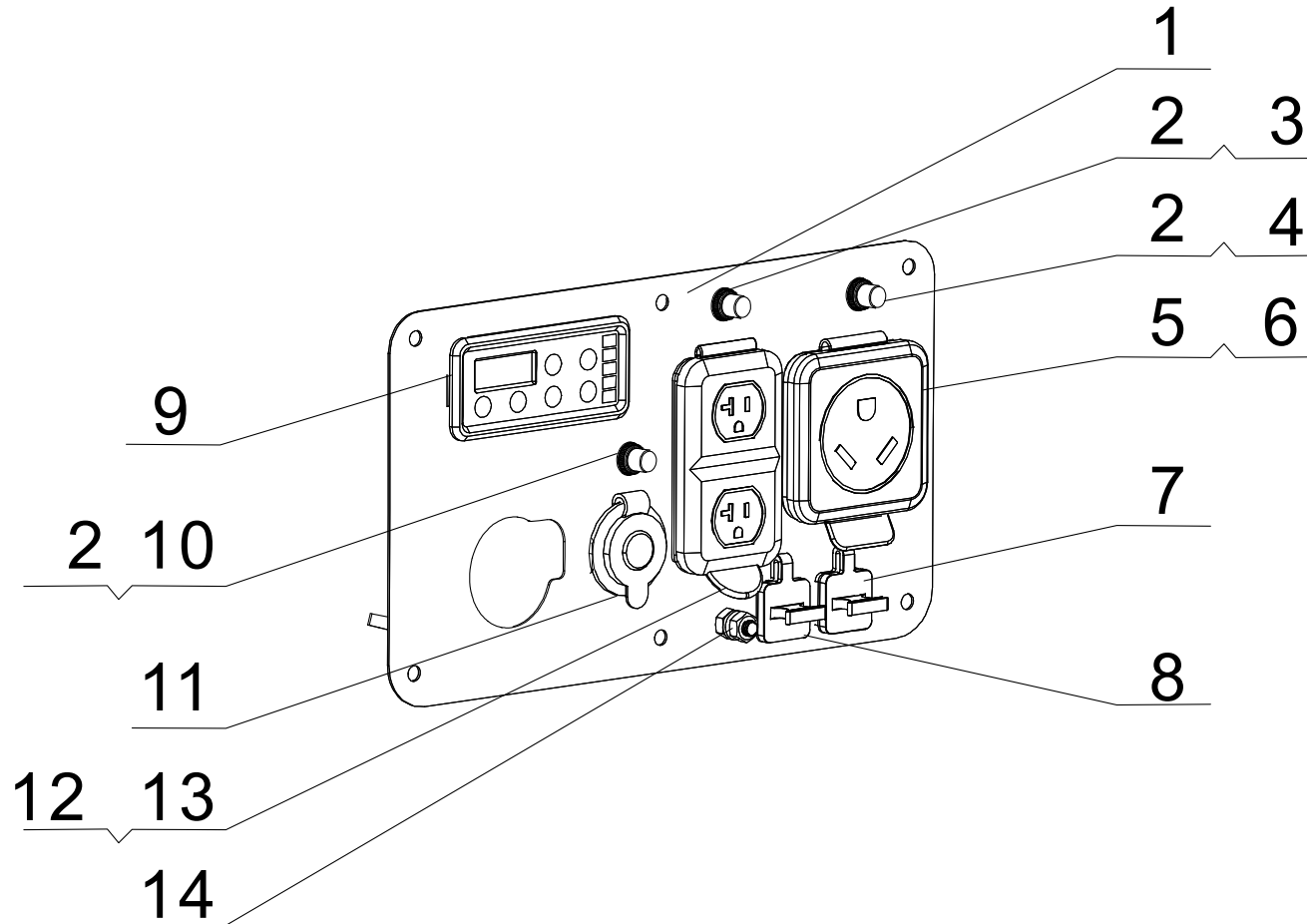


Figure G

OUTLET PANEL LIST

#	Part Number	Description	Qty.
1	35650-YJR0110-H200	Control Panel	1
2	35654-YGK0110-0000	Cover, Push Button	3
3	31234-YBE0210-0000	Circuit Breaker, Push Button, 20A, 125V/250V	1
4	31234-YGK0110-0000	Circuit Breaker, Push Button, 30A, 125V/250V	1
5	35654-YGK0310-0000	Receptacle Cover, TT-30R	1
6	35614-Y2D0110-0000	TT-30R Receptacle, 30A, 125V	1
7	35614-YH30210-0000	Wireless Parallel, Black	1
8	35614-YH30110-0000	"Wireless Parallel, Red"	1
9	35632-YHV0110-0000	Multifunctional Display	1
10	31234-YBE0110-0000	Circuit Breaker, Push Button, 8A, 125V/250V	1
11	35619-Y110110-0000	Automotive Receptacle, 12V DC	1
12	35654-YBE0110-0000	Receptacle Cover, 5-20R	1
13	35614-Y730110-0000	5-20R Receptacle, 20A, 125V	1
14	35629-Y090110-0000	Grounding Terminal	1

WHEEL KIT DIAGRAM

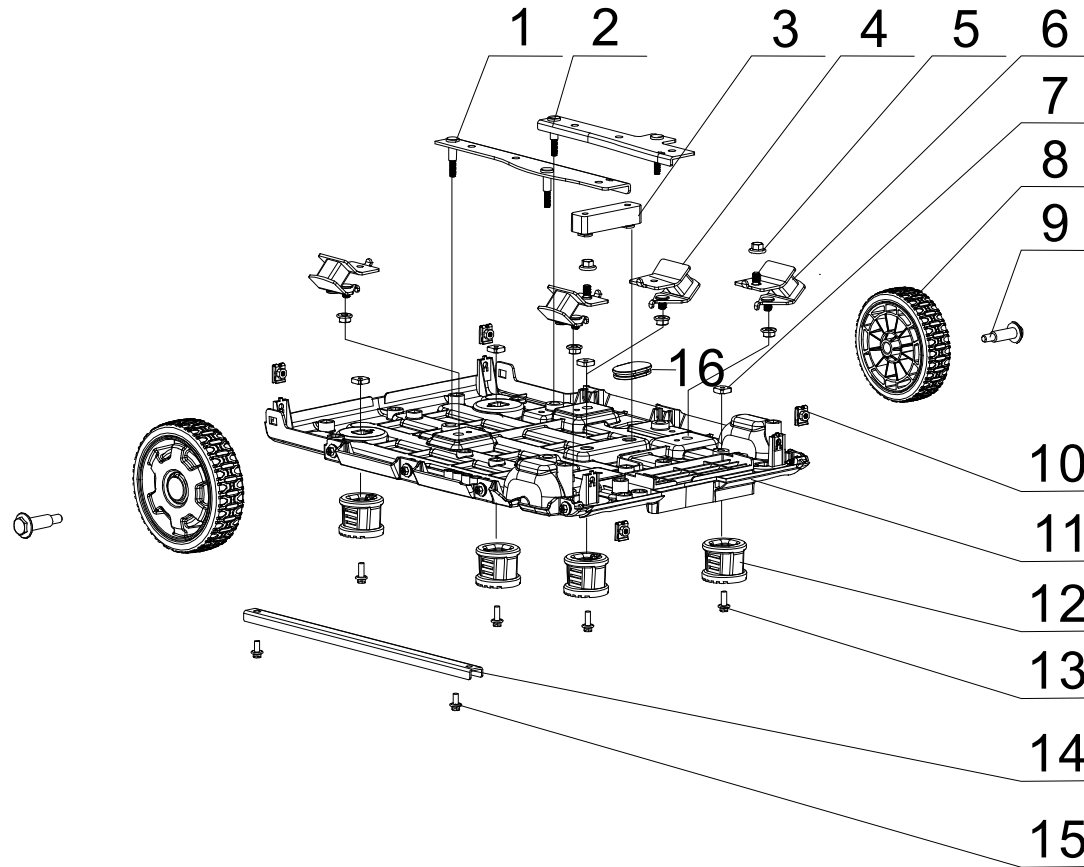


Figure H

WHEEL KIT LIST

#	Part Number	Description	Qty.
1	51188HYBW0110-QCA0	Left Support, Engine	1
2	51189HYBW0110-QCA0	Right Support, Engine	1
3	50035-YBW0110-0001	Bracket, Cushion Rubber	1
4	51011HY2P0210-0000	Vibration Mount, Right, Frame	2
5	90305-0800-31A0	Hexagon Flange Nut, M8, White Zinc	6
6	51009HY2P0110-0000	Vibration Mount, Left, Frame	2
7	90326-Y2V0110-00A0	Square Nut, M6, White Zinc	6
8	44110HYH30110-L401	5in. Wheel, Yellow	2
9	42002-YH30110-0300	Roll Pin, M8×15, Black Zinc	2
10	17199-YB00110-00A0	Clip Nut, M5, White Zinc	4
11	51143HYBW0110-Q201	Plate, Bottom	1
12	51014HYBW0110-0001	Foot, Rubber	4
13	90001-0616-01A0	Hexagon Flange Bolt, M6 x 16, Blue White Zinc	4
14	51103-YBW0110-H701	Reinforcing Plate, Black Zinc	1
15	90001-0612-01A0	Hexagon Flange Bolt, M6 x 12, Blue White Zinc	2
16	90722-Y2P0110-0001	Plug, End	1

WIRING DIAGRAM

THIS CIRCUIT DIAGRAM IS ONLY FOR REFERENCE, IF ANY CHANGE, THERE WILL BE WITHOUT NOTICE.

