



OPERATOR'S MANUAL

MODEL #100468

PARA LINK Parallel Kit



REGISTER YOUR PRODUCT ONLINE

at championpowerequipment.com



or visit championpowerequipment.com

READ AND SAVE THIS MANUAL. This manual contains important safety precautions which should be read and understood before operating the product. Failure to do so could result in serious injury. This manual should remain with the product. Specifications, descriptions and illustrations in this manual are as accurate as known at the time of publication, but are subject to change without notice.

INTRODUCTION

Congratulations on your purchase of a Champion Power Equipment (CPE) product. CPE designs, builds, and supports all of our products to strict specifications and guidelines. With proper product knowledge, safe use, and regular maintenance, this product should bring years of satisfying service.

Every effort has been made to ensure the accuracy and completeness of the information in this manual at the time of publication, and we reserve the right to change, alter and/ or improve the product and this document at any time without prior notice.

CPE highly values how our products are designed, manufactured, operated, and serviced as well as providing safety to the operator and those around the generator. Therefore, it is **IMPORTANT** to review this product manual and other product materials thoroughly and be fully aware and knowledgeable of the assembly, operation, dangers and maintenance of the product before use. Fully familiarize yourself, and make sure others who plan on operating the product fully familiarize themselves too, with the proper safety and operation procedures before each use. Please always exercise common sense and always err on the side of caution when operating the product to ensure no accident, property damage, or injury occurs. We want you to continue to use and be satisfied with your CPE product for years to come.

When contacting CPE about parts and/or service, you will need to supply the complete model and serial numbers of your product. Transcribe the information found on your product's nameplate label to the table below

CPE TECHNICAL SUPPORT TEAM
1-877-338-0999
MODEL NUMBER
100468
SERIAL NUMBER
DATE OF PURCHASE
PURCHASE LOCATION

SAFETY DEFINITIONS

The purpose of safety symbols is to attract your attention to possible dangers. The safety symbols, and their explanations, deserve your careful attention and understanding. The safety warnings do not by themselves eliminate any danger. The instructions or warnings they give are not substitutes for proper accident prevention measures.

⚠ DANGER

DANGER indicates a hazardous situation which, if not avoided, will result in death or serious injury.

⚠ WARNING

WARNING indicates a hazardous situation which, if not avoided, could result in death or serious injury.

⚠ CAUTION

CAUTION indicates a hazardous situation which, if not avoided, could result in minor or moderate injury.

🗨 NOTICE

NOTICE indicates information considered important, but not hazard-related (e.g., messages relating to property damage).

IMPORTANT SAFETY INSTRUCTIONS

⚠ WARNING

Cancer and Reproductive Harm – www.P65Warnings.ca.gov

⚠ WARNING

- ALWAYS turn the generator off and ensure the fuel valve is closed before connecting the parallel kit.
- ALWAYS inspect for cut, torn or damaged extension cords before each use and if found DO NOT use.
- NEVER use a parallel kit or its associated plug wires if cut, torn or damaged.
- ALWAYS keep the parallel kit clean, dry and away from water, mud or wet surfaces.
- ALWAYS unplug the parallel kit before servicing or cleaning the generators.
- NEVER plug in more than the rated specified watts for this parallel kit.
- NEVER connect or disconnect parallel kit while generators are running.

⚠ DANGER

NEVER connect or disconnect parallel kit in standing water, mud or wet surfaces.




Failure to follow these important safety instructions could result in personal injury, death or damage to generator/s.

⚠ DANGER

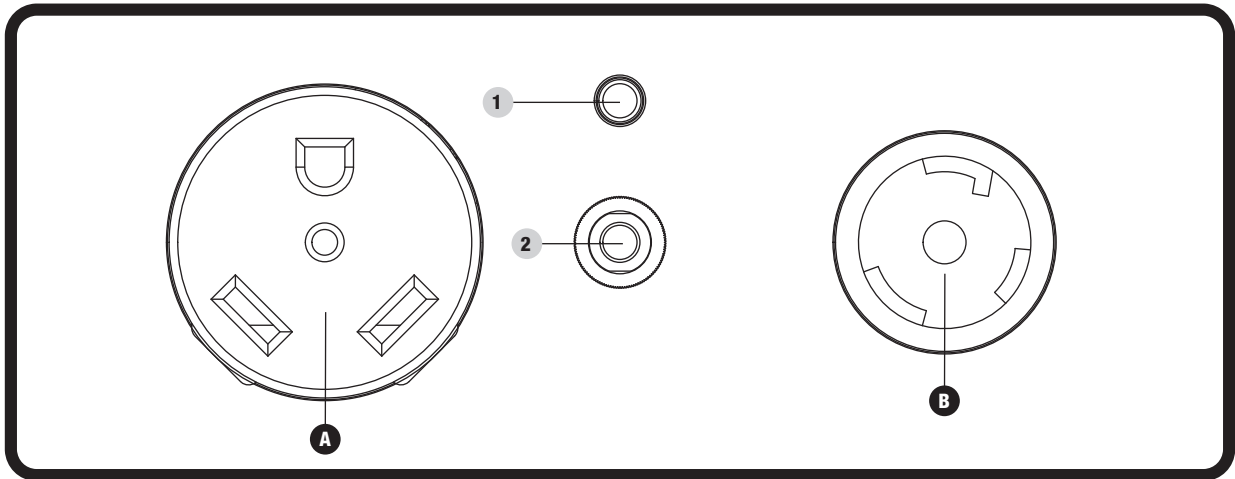
This device is for use in a weather protected area only.

Safety Symbols



Some of the following symbols may be used on this product. Please study them and learn their meaning. Proper interpretation of these symbols will allow you to more safely operate the product.

SYMBOL	MEANING
	Read Operator's Manual. To reduce the risk of injury, user must read and understand operator's manual before using this product.
	Electric Shock. Failure to use in dry conditions and to observe safe practices can result in electric shock. Improper connections to a building can allow current to backfeed into utility lines, creating an electrocution hazard. A transfer switch must be used when connecting to a building.
	Wet Conditions Alert. Do not expose to rain or use in damp locations.

CONTROL PANEL



1. **Output Indicator Light** – Remains ON during normal operating conditions. Turns OFF when generator is overloaded.
2. **Circuit Breaker (Push Reset)** – Protects the generators against electrical overloads.

RECEPTACLES	
A	 <p>120V AC, 30A RV (NEMA TT-30R) May be used to supply electrical power for operation of 120 Volt AC, 30 Amp, single phase, 60 Hz electrical loads.</p>
B	 <p>120V AC, 30A Locking (NEMA L5-30R) May be used to supply electrical power for operation of 120 Volt AC, 30 Amp, single phase, 60 Hz electrical loads.</p>

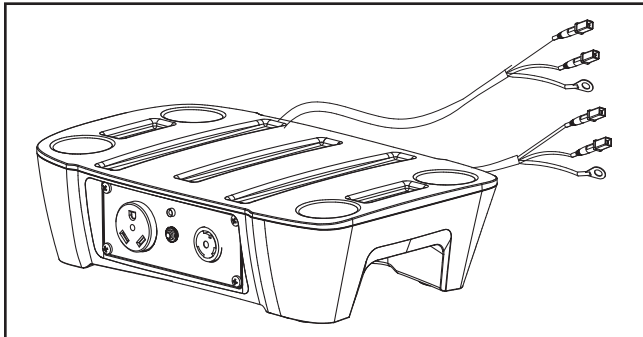
ASSEMBLY AND OPERATION

This kit is intended for use on Champion Power Equipment inverters with ParaLINK ports. Please refer to your Inverter Operator's Manual for safety rules, start up and shut down procedures, specifications and troubleshooting.

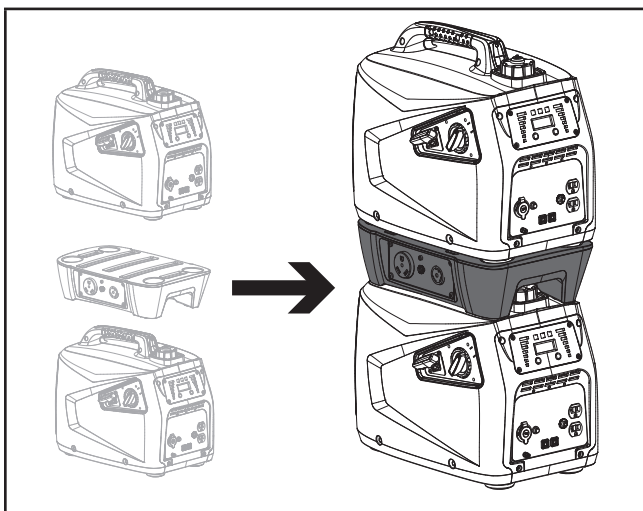
NOTICE

Before parallel linking two inverters, visit the Parallel Kit Selector on championpowerequipment.com for compatibility.

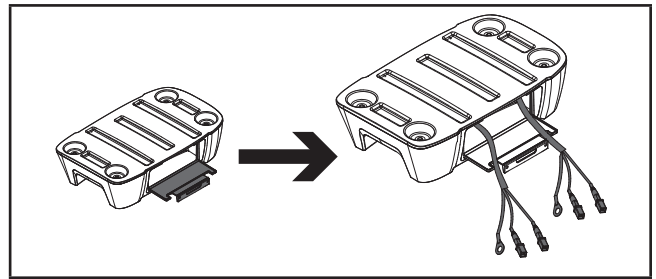
Setup and Operation



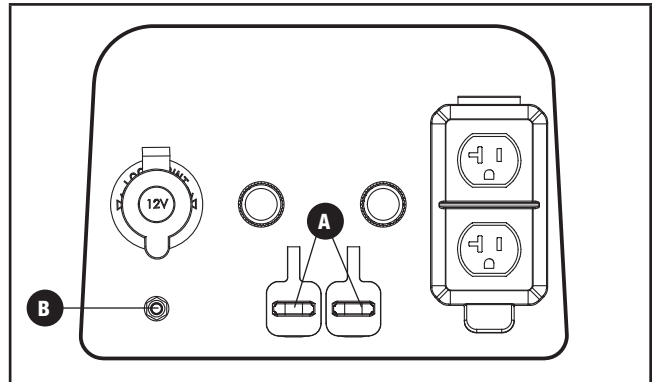
1. Turn off and disconnect all electrical loads from both inverter generators.
2. The two generators may be stacked one on top of the other by aligning the handle of the lower generator with the handle recess of the parallel kit. Align the lower pads of the top generator with the pocket pads of the parallel kit.



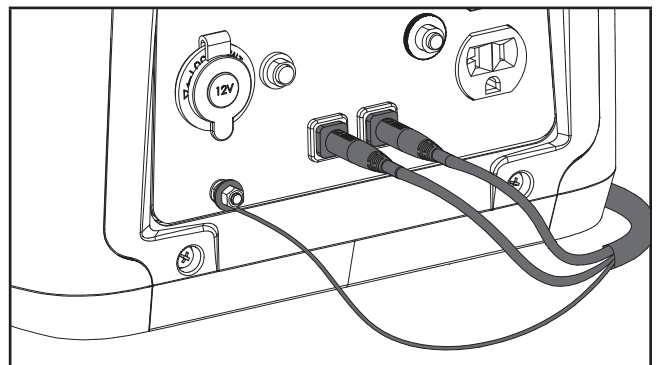
3. The economy switch must be in the same position on both generators.
4. Open rear door panel and take out the power leads and ground wires. Remove caps from the power leads.



5. Plug one pair of power leads - connecting red to red and black to black (A), and ground wire (B) to inverter #1.

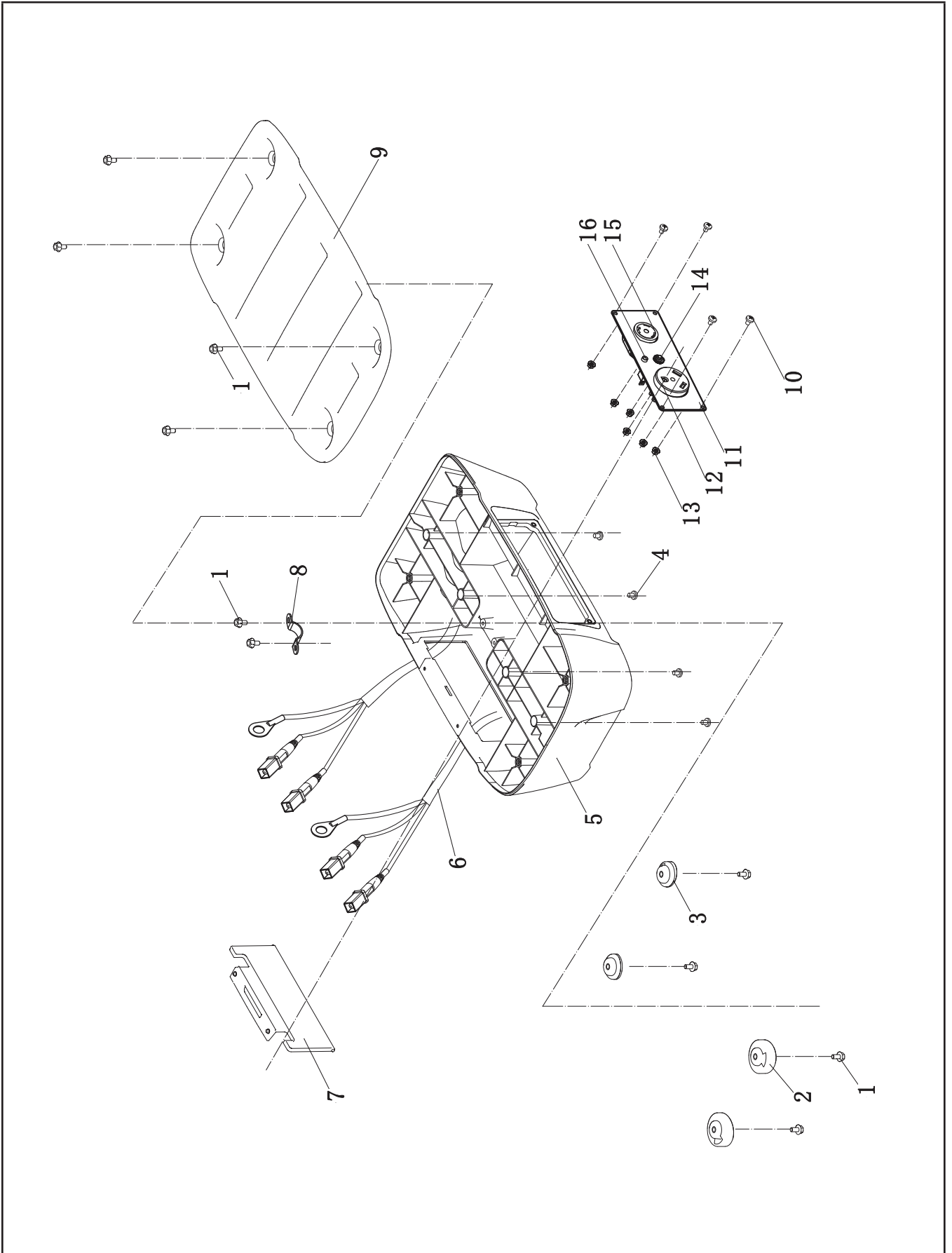


6. Plug the second pair of power leads connecting red to red and black to black (A), and ground wire (B) to inverter #2.



7. Start both inverter engines according to the Operator's Manual. Observe the green output indicator light on the parallel kit panel – when the light is on, you may connect devices.
8. Connect devices to parallel panel or generator panel receptacles. Loads up to 25 amps may be connected to the parallel kit receptacles. Individual loads connected to generator panels must be less than the 20 amp panel receptacle rating.
9. The total electrical load must not exceed 30 amps (3600 watts).
10. Follow the instructions in your inverter Operator's Manual for turning off the generators.
11. When not in use, power leads and ground wire can be stored within the parallel kit by accessing the door panel on the rear of the parallel kit.

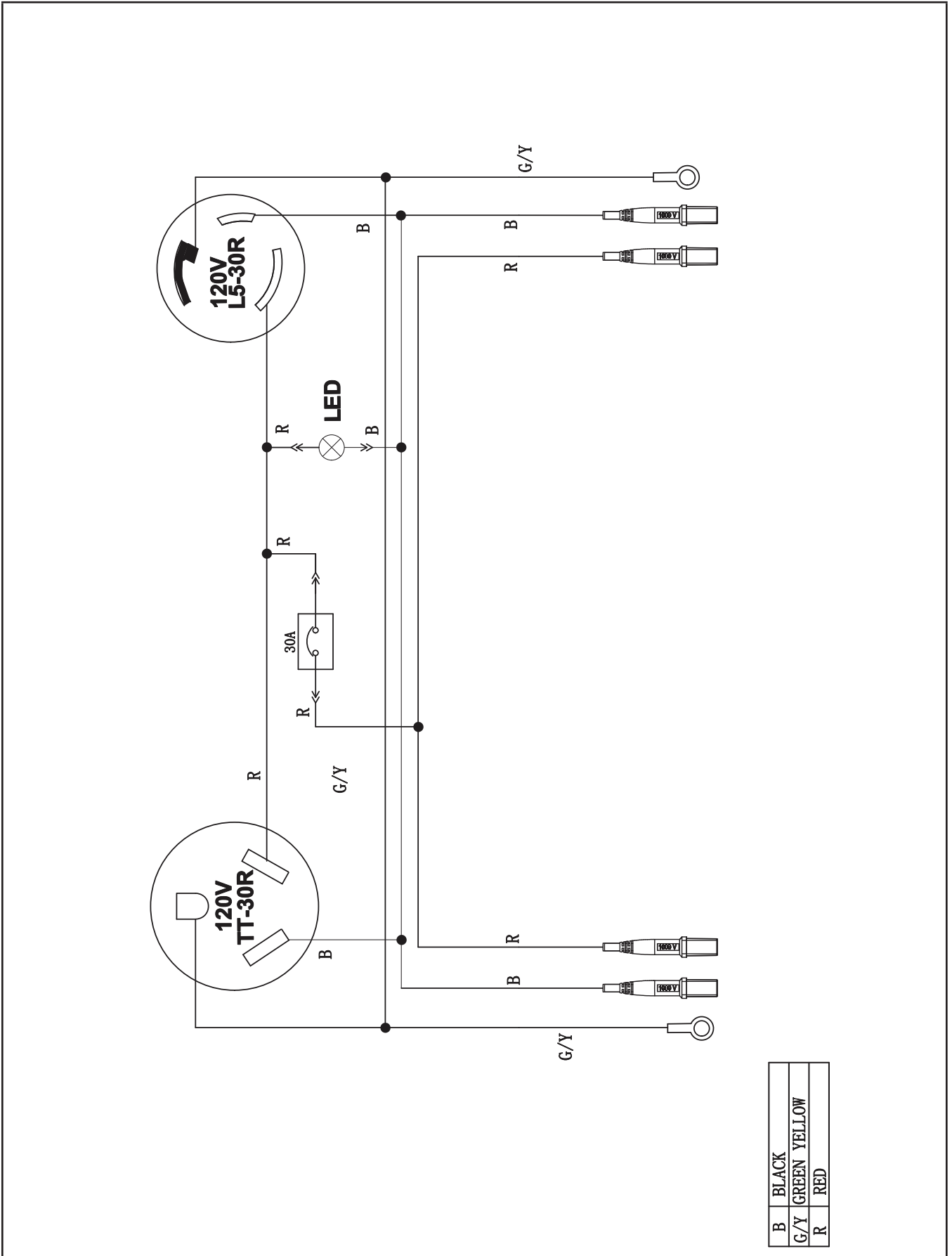
PARTS DIAGRAM



PARTS LIST

#	Part Number	Description	Qty.
1	2.08.102	Tapping Screw 6×13	10
2	62.213004.00	Front Mounting Rubber, Base Setting	2
3	62.213004.01	Back Mounting Rubber, Base Setting	2
4	1.845.4216	Tapping Screw 4.2×16	4
5	62.213005.00	Base, Control Box	1
6	5.1900.106	Wire, black	2
7	62.213007.00.48	Door, Control Box	1
8	62.213008.00	Plate, Wire	1
9	62.213006.00	Cover,Control Box	1
10	1.9074.4.0512.1	Screw/Washer Assembly M5×12, Black	4
11	62.03.1.2	Control Panel	1
12	5.1120.036	Receptacle TT-30R	1
13	1.6177.1.04.1	Lock Nut M4, Flange, Black	6
14	5.1210.930	30Amp Circuit Breaker, Push Button	1
15	5.1120.023	Receptacle L5-30R, CSA	1
16	5.1460.018	Lamp, LED, Green	1

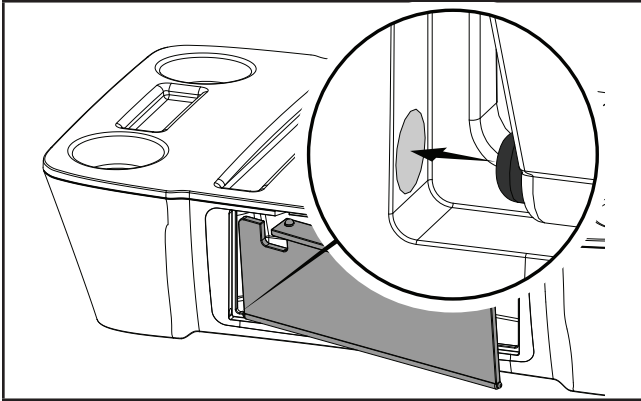
WIRING DIAGRAM



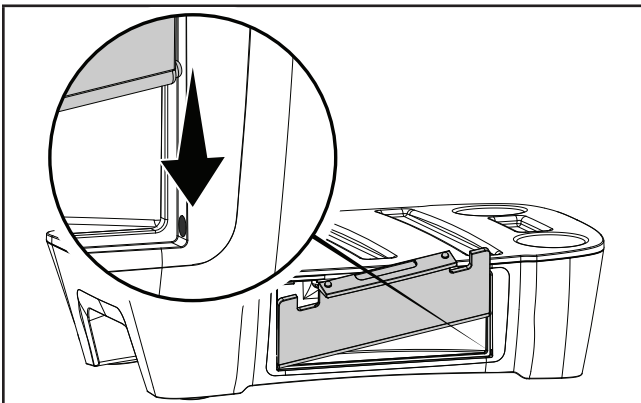
NOTICE

While transporting the unit, there is a chance that the rear door panel can become detached from the parallel kit unit. If this happens, follow the steps below to reassemble the door panel to the body.

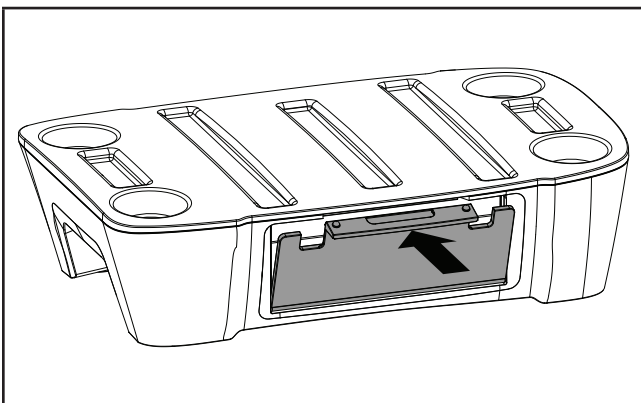
1. Line up left door hinge pin with left side pin socket.



2. Place the right side door hinge pin into the door frame guide slot. Using a steady force from the top right of the door panel, slide door down until the hinge pin snaps into place.



3. Make sure door closes properly and that top retaining pins line up with the top pin sockets.



WARRANTY*

CHAMPION POWER EQUIPMENT
1 YEAR LIMITED WARRANTY

Warranty Qualifications

To register your product for warranty and FREE lifetime call center technical support please visit:

<https://www.championpowerequipment.com/register>

To complete registration you will need to include a copy of the purchase receipt as proof of original purchase. Proof of purchase is required for warranty service. Please register within ten (10) days from date of purchase.

Repair/Replacement Warranty

CPE warrants to the original purchaser that the mechanical and electrical components will be free of defects in material and workmanship for a period of one year (parts and labor) from the original date of purchase and 90 days (parts and labor) for commercial and industrial use. Transportation charges on product submitted for repair or replacement under this warranty are the sole responsibility of the purchaser. This warranty only applies to the original purchaser and is not transferable.

Do Not Return The Unit To The Place Of Purchase

Contact CPE's Technical Service and CPE will troubleshoot any issue via phone or e-mail. If the problem is not corrected by this method, CPE will, at its option, authorize evaluation, repair or replacement of the defective part or component at a CPE Service Center. CPE will provide you with a case number for warranty service. Please keep it for future reference. Repairs or replacements without prior authorization, or at an unauthorized repair facility, will not be covered by this warranty.

Warranty Exclusions

This warranty does not cover the following repairs and equipment:

Normal Wear

Products with mechanical and electrical components need periodic parts and service to perform well. This warranty does not cover repair when normal use has exhausted the life of a part or the equipment as a whole.

Installation, Use and Maintenance

This warranty will not apply to parts and/or labor if the product is deemed to have been misused, neglected, involved in an accident, abused, loaded beyond the product's limits, modified, installed improperly or connected incorrectly to any electrical component. Normal maintenance is not covered by this warranty and is not required to be performed at a facility or by a person authorized by CPE.

Other Exclusions

This warranty excludes:

- Cosmetic defects such as paint, decals, etc.
- Wear items such as filter elements, o-rings, etc.
- Accessory parts such as starting batteries, and storage covers.
- Failures due to acts of God and other force majeure events beyond the manufacturer's control.
- Problems caused by parts that are not original Champion Power Equipment parts.

Limits of Implied Warranty and Consequential Damage

Champion Power Equipment disclaims any obligation to cover any loss of time, use of this product, freight, or any incidental or consequential claim by anyone from using this product. THIS WARRANTY IS IN LIEU OF ALL OTHER WARRANTIES, EXPRESS OR IMPLIED, INCLUDING WARRANTIES OF MERCHANTABILITY OR FITNESS FOR A PARTICULAR PURPOSE.

A unit provided as an exchange will be subject to the warranty of the original unit. The length of the warranty governing the exchanged unit will remain calculated by reference to the purchase date of the original unit.

This warranty gives you certain legal rights which may change from state to state or province to province. Your state or province may also have other rights you may be entitled to that are not listed within this warranty.

Contact Information

Address

Champion Power Equipment, Inc.
12039 Smith Ave.
Santa Fe Springs, CA 90670 USA
www.championpowerequipment.com

Customer Service

Mon – Fri 8:30 AM – 5:00 PM (PST/PDT)
Toll Free: 1-877-338-0999
info@championpowerequipment.com
Fax no.: 1-562-236-9429

Technical Service

Mon – Fri 8:30 AM – 5:00 PM (PST/PDT)
Toll Free: 1-877-338-0999
tech@championpowerequipment.com
24/7 Tech Support: 1-562-204-1188