



Champion Power Equipment, Inc., Santa Fe Springs, CA USA

MODEL #200971

PARTS INFORMATION

3650W WIRELESS REMOTE START GENERATOR

SERIAL NUMBER RANGE: ALL

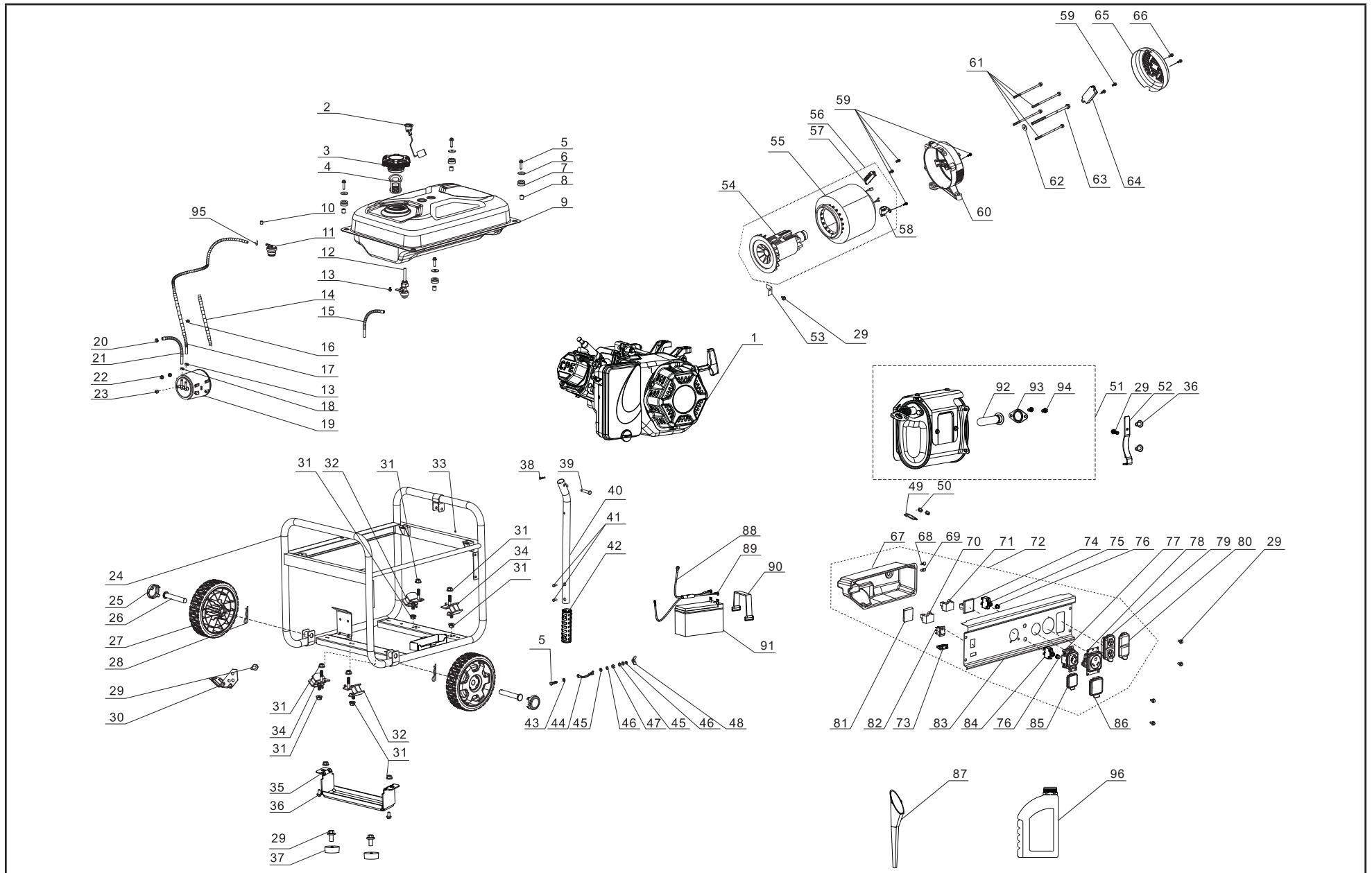


To order replacement parts please visit:
shop.championpowerequipment.com
or call **1-877-338-0999**.

TABLE OF CONTENTS

Generator Parts Diagram	3
Generator Parts List	4
Engine Parts Diagram	6
Engine Parts List	7
Wiring Diagram	9

GENERATOR PARTS DIAGRAM



GENERATOR PARTS LIST

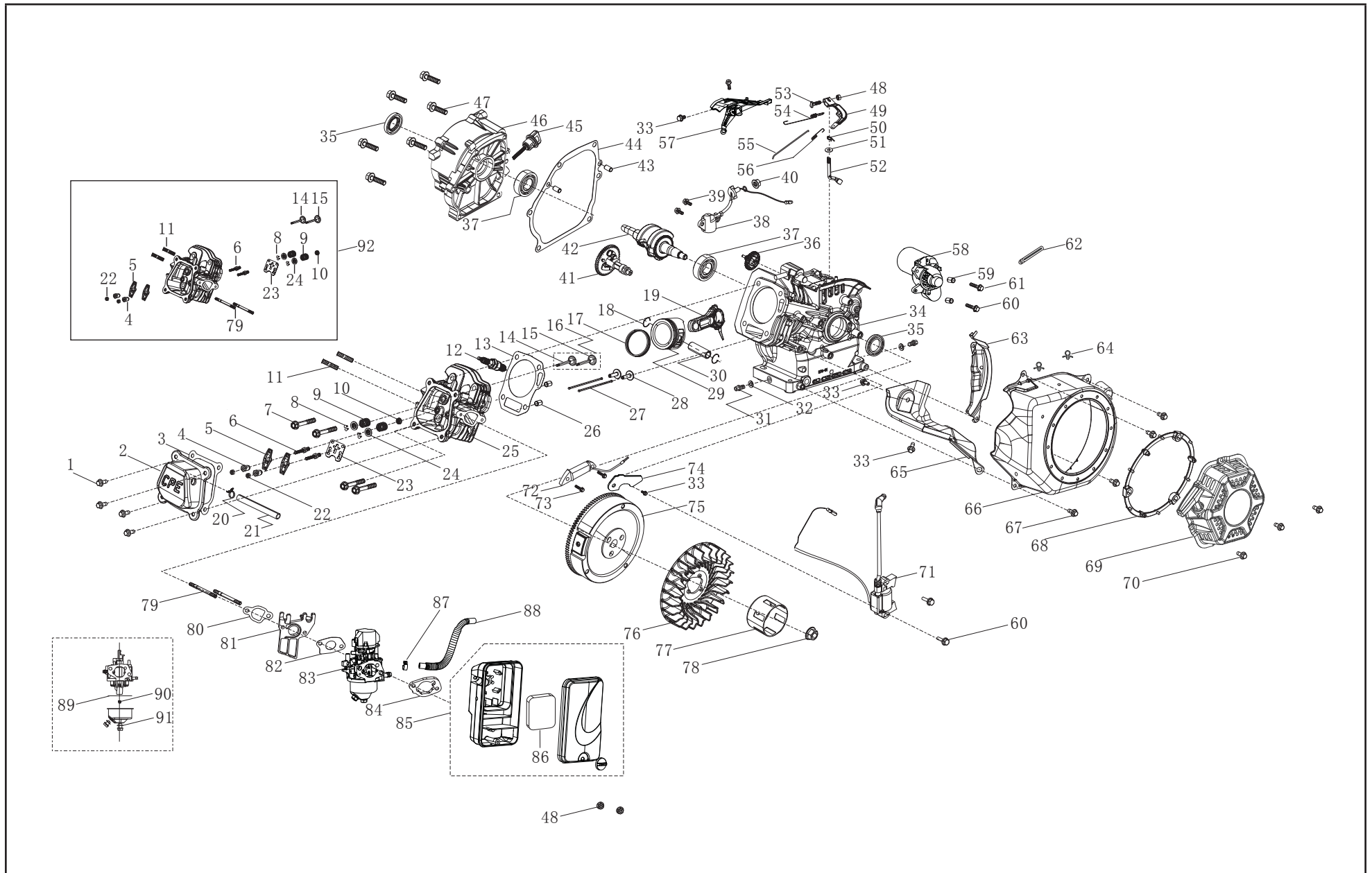
#	Part Number	Description	Qty.
1	R225DP000FB-CMP303	Engine, 212cc, R210-V	1
2	37200-YGK0110-00A0	Fuel Gauge	1
3	16730-YGM0110-00A0	Fuel Tank Cap	1
4	16652-YGM0110-00A0	Fuel Filter	1
5	90001-0625-0305	Flange Bolt, M6 x 25, Black Zinc	5
6	90408-Y020110-0005	Flat Washer, Ø6, Black Zinc	4
7	16601-Y020120-0001	Vibration Mount, Fuel Tank	4
8	90683-Y020110-0005	Bushing, Blue White Zinc	4
9	16620-YGK0110-L4A0	Fuel Tank, 17.8L	1
10	90698-Y1Z0110-0001	Protective Rubber Sleeve	1
11	15150-YGK0110-00A0	One Way Valve	1
12	16750-Y020211-0001	Fuel Valve Assembly	1
13	90685-Z030610-0300	Clamp, Ø8 x 7 x 0.6	2
14	30431-YCM0310-0001	Rubber Sleeve, Ø9.5 x Ø11 x 150	1
15	30431-Y020110-0001	Rubber Sleeve, Fuel Pipe	1
16	90685-YB00110-Q200	Clamp	1
17	16804-YGK0110-0000	Connection Pipe, Ø4.5 x Ø8.5 x 785	1
18	90685-Z020110-0300	Clamp, Ø9.5 x 8 x 0.8	1
19	16801-YGK0110-00A0	Carbon Canister, 400 cc	1
20	90685-Z030410-0300	Clamp, Ø10.7 x 8 x 0.6	1
21	16805-YGK0110-0000	Connection Pipe, Air Cleaner	1
22	90305-0600-0302	Flange Nut, M6, Black Zinc	2
23	30351-YGK0110-00A0	Cover, Carbon Canister	1
24	51100-YHB0110-H2A0	Frame Assembly, 565 x 440 x 480	1
25	44001-V580110-L401	Cover, Hub Decorated, Yellow	2
26	44020-Y9X0110-0306	Roll Pin, Ø16 x 89.5, Black Zinc	2
27	44110-V580110-0000	8in. Wheel, Yellow	2
28	90501-Y2C0110-03A1	Cotter Pin, Black Zinc	2
29	90001-0612-0305	Flange Bolt, M6 x 12, Black Zinc	9
30	17003-Y110130-0001	Air Cleaner Support	1

#	Part Number	Description	Qty.
31	90305-0800-3305	Flange Nut, M8, Black Zinc	10
32	51011HY020120-0000	Vibration Mount 2, Frame	2
33	90722-YEC0210-0001	Plug, End	1
34	51005HY020120-0000	Vibration Mount 1, Frame	2
35	51016-YGK0110-H2A0	Bracket, Support Leg	1
36	90001-0816-0305	Flange Bolt, M8 x 16, Black Zinc	4
37	51014-YGM0110-0000	Support Leg	2
38	90583-YGK0110-03A0	R Pin	1
39	90504-YGK0110-0300	Pin Shaft, Ø8 x 40, Black Zinc	1
40	54110HYGK0210-H2A0	Handle, Ø25 x 1.2	1
41	90103-0416-5301	Screw, M4 x 16	2
42	54101HYGK0110-L400	Handle Sheath	1
43	90415-0600-Z301	Lock Washer, Toothed, Black Zinc	1
44	30009-Y910110-0001	Grounding Wire	1
45	90408-0600-E305	Flat Washer, Black Zinc	3
46	90403-0600-0305	Spring Washer, Black Zinc	2
47	90303-0600-3305	Flange Nut, M6, Black Zinc	1
48	90312-0600-0301	Wing Nut, M6, Black Zinc	1
49	18001-Z440110-00A0	Exhaust Outlet Gasket	1
50	90303-0800-3305	Flange Nut, M8, Black Zinc	2
51	18100-YGK0310-00A0	Muffler Assembly	1
52	18030-Y020110-H3A1	Muffler Bracket	1
53	30023-Y020110-0900	Stopper, Motor Right Cover	1
54	31330-YHB0110-0000	Rotor, AL, D160 x 130	1
55	31310-YGK0210-0000	Stator, AL, D160 x 130	1
56	31300-YGK0310-0000	Alternator Assembly, AL, D160 x 130	1
57	31303HY020110-0000	Terminal Block	1
58	31320-YGK0110-0000	Carbon Brush Subassembly	1
59	90001-0516-0105	Flange Bolt, M5 x 16, Black Zinc	6
60	30021-Y020310-00A0	End Housing	1

#	Part Number	Description	Qty.
61	30048-YE30110-0900	Bolt M6 x 174, Stator	4
62	90408-Y020210-0001	Flat Washer, Black Zinc	1
63	30049-YE30110-0001	Bolt M8 x 230, Rotor	1
64	30060-YHB0110-0000	AVR	1
65	30022-YGK0110-L400	Cover, End Housing, Yellow	1
66	90001-0512-0301	Flange Bolt, M5 x 12, Black Zinc	2
67	35601-YGK0110-0000	Rear Case, Control Panel	1
68	90803-Y030110-0000	Remote FOB Reset Light	1
69	35646-YHB0110-0000	Remote FOB Reset Button	1
70	30008-YGK0110-0000	Control Module, Switch, Engine	1
71	30007-YHB0110-0000	Charging Module	1
72	35610-YHB0110-H200	Control Panel Assembly	1
73	35160-YDS0110-0000	Switch, Battery	1
74	35632-YGK0110-0000	Intelligauge, VFT-2	1
75	31234-YBE0210-0000	Circuit Breaker, Push Button, 20A	1
76	35654-YGK0110-0000	Cover, Circuit Breaker	2
77	35614-Y4D0110-0000	L5-30R Receptacle, 30A, 125V	1
78	35614-Y2D0110-0000	TT-30R Receptacle, 30A, 125V	1
79	35614-Y730110-0000	5-20R Duplex Receptacle, 20A, 125V	1
80	35654-YBE0110-0000	Receptacle Cover, 5-20R	1
81	30008-YHB0110-0000	Control Module, Remote	1
82	35160-Y7C0110-0000	Switch, Engine	1
83	35650-YHB0110-H200	Control Panel	1
84	31234-YGK0110-0000	Circuit Breaker, Push Button, 30A	1
85	35654-YGK0210-0000	Receptacle Cover,L5-30R	1
86	35654-YGK0310-0000	Receptacle Cover, TT-30R	1
87	93106-Z010110-0001	Oil Funnel	1
88	31114HYHB0110-0000	Negative Wire	1
89	31112HYHB0110-0000	Positive Wire	1
90	31115-Y4G0110-0000	Band, Battery	1
91	31110-YHB0110-00A0	Battery, 12VDC 9 Ahr	1
92	18250-YGK0210-0000	Spark Arrestor	1

#	Part Number	Description	Qty.
93	18255-YGK0110-0000	Decorated Cover, Spark Arrestor	1
94	90001-0510-03	Flange Bolt, M5 x 10, Black Zinc	2
95	90740-Z010610-00A1	Clamp	1
96	15300-YGK0110-00A0	Bottle of Engine Oil, 0.5L	1

ENGINE PARTS DIAGRAM



ENGINE PARTS LIST

#	Part Number	Description	Qty.
1	90001-0612-0101	Hexagon Flange Bolt, M6 x 12, Blue White Zinc	4
2	12410-Z010510-0100	Cylinder Head Cover Subassembly, Blue White Zinc	1
3	12004-Z010210-00A0	Cylinder Head Cover Gasket	1
4	14314-Z010110-0000	Valve Adjusting Nut	2
5	14311-Z010110-0000	Valve Rocker	2
6	14313-Z010110-0000	Valve Adjusting Bolt	2
7	12003-Z010310-0000	Cylinder Head Bolt, M8 x 60, Black Zinc	4
8	12109-Z810110-0000	Valve Lock Clamp	4
9	12103-Z010110-0000	Valve Spring	2
10	12101-Z810210-0000	Seal Guide	1
11	90203-Z010110-0000	Stud, M8 x 34, Black Zinc	2
12	30010-Z010110-0000	Spark Plug, F6RTC	1
13	12131-Z950210-0000	Cylinder Head Gasket	1
14	12121-Z810120-0000	Exhaust Valve	1
15	12111-Z810110-0000	Inlet Valve	1
16	12110-Z810120-0099	Valve Set	1
17	13200-Z140210-00A9	Piston Ring Assembly	1
18	13122-Z510210-0000	Piston Pin Clip	2
19	13010-Z810210-00A0	Connecting Rod	1
20	90685-Z030110-0100	Clamp, Ø10.5	1
21	17004-Z440110-0002	Tube, Breather	1
22	14312-Z010110-0000	Valve Lock Nut	2
23	14090-Z010110-0000	Lifter Stopper Plate Subassembly, Blue White Zinc	1
24	12112-Z810210-0000	Valve Spring Retainer	2
25	12140-Z810210-0BA0	Cylinder Head Subassembly	1
26	90502-1114-00	Pin, 11 x 14	2
27	14071-Z440110-0000	Valve Lifter	2

#	Part Number	Description	Qty.
28	14081-Z040110-0000	Valve Tappet	2
29	13111-Z810120-00A0	Piston	1
30	13121-Z810110-0000	Piston Pin, Ø13 x Ø45.9	1
31	11007-Z010310-0000	Drain Plug Bolt, M10 x1.25 x15, Black Zinc	2
32	90408-Z010110-0000	Washer, Ø10 x Ø15.8 x 1.5	2
33	90001-0610-03	Hexagon Flange Bolt, M6 x 10, Black Zinc	5
34	11310-Z810210-0BA0	Crankcase Subassembly	1
35	90682-Z300110-0001	Oil Seal, Ø25 x Ø41.25 x 6	2
36	16400-Z810210-0000	Governor Gear Assembly	1
37	90547-0205-00A0	Bearing	2
38	37060-Z010120-0001	Engine oil Sensor, W/O Nut	1
39	90001-0614-01	Hexagon Flange Bolt, M6 x 14, Blue White Zinc	2
40	90305-Z010210-0300	Hexagon Flange Nut, M10, Black Zinc	1
41	14200-Z810310-0000	Camshaft Assembly	1
42	13300-Z810110-0000	Crankshaft Assembly	1
43	90502-0912-00	Pin, 9 x 12	2
44	11001-Z440110-00A0	Crankcase Gasket	1
45	15010-Z2M0110-L400	Oil Dipstick Subassembly	1
46	11411-Z530111-0BA0	Crankcase Cover	1
47	90001-0832-03	Hexagon Flange Bolt, M8 x 32, Black Zinc	6
48	90305-0600-33	Hexagon Flange Nut, M6, Black Zinc	3
49	16070-Z010110-0001	Governor Support Subassembly, Blue White Zinc	1
50	90501-Z010110-0001	Pin, Blue White Zinc	1
51	90408-Z010210-0000	Washer, Ø6.2 x Ø15 x 0.6	1
52	16061-Z010110-0000	Governor Arm	1

#	Part Number	Description	Qty.
53	16072-Z010310-0000	Governor Support Bolt, M6 x 21, Black Zinc	1
54	16063-Z010310-0100	Spring, Governor	1
55	16062-Z010110-0001	Governor Rod, Blue White Zinc	1
56	16012-Z010310-0000	Throttle Valve Returning Spring	1
57	16520-Z4A0110-0000	Throttle Control Assembly, Blue White Zinc	1
58	09100-Z200310-0100	Starter Motor	1
59	90502-0810-00	Pin, 8 x 10	2
60	90001-0625-01	Hexagon Flange Bolt, M6 x 25, Blue White Zinc	3
61	90001-0635-01	Hexagon Flange Bolt, M6 x 35, Blue White Zinc	1
62	90684-Z030120-0000	Clip, Fuel Pipe	1
63	19340-Z050120-0001	Lower Shield, Blue White Zinc	1
64	90684-Z030210-0001	Binder Clip, Ø5.7	2
65	19304-Z010610-0001	Cylinder Body Shroud	1
66	28110-Z200710-L400	Shroud	1
67	90001-0612-03	Hexagon Flange Bolt, M6 x 12, Black Zinc	4
68	28261-Z2M0110-0000	Retainer Ring, Recoil Starter	1
69	28200-Z141010-H200	Recoil Starter Assembly	1
70	90251-0618-03	Bolts With Washer, Black Zinc	3
71	30400-Z440410-0001	Ignition Coil	1
72	30140-Z160130-0000	Charging Coil	1
73	90001-0628-01	Hexagon Flange Bolt, M6 x 28, Blue White Zinc	2
74	30001-Z200110-0000	Plate, Charging Coil	1
75	13510-Z440310-0000	Flywheel Subassembly	1
76	19352-Z440110-0001	Impeller	1
77	28002-Z1E0110-0000	Starter Pulley, Blue White Zinc	1
78	13501-Z010110-0000	Flywheel Nut, M14 x 1.5, Blue White Zinc	1

#	Part Number	Description	Qty.
79	90204-Z010210-0000	Stud, M6 x 96, Black Zinc	2
80	16002-Z050110-0000	Carburetor Insulator Gasket	1
81	16003-Z010110-0000	Carburetor Insulator Plate	1
82	16001-Z010110-0000	Carburetor Gasket	1
83	16100-Z810510-00M0	Carburetor Assembly	1
84	17001-Z010210-0000	Air Cleaner Gasket	1
85	17100-Z0X0110-0001	Air Cleaner	1
86	17151-Z300310-0000	Element, Air Cleaner	1
87	90685-Z030610-01A1	Clamp, Ø8 x 7 x 0.6	1
88	90686-Z010810-00M1	Fuel Pipe, Ø4.5 x Ø8.5 x 140	1
89	16112-Z010110-0000	Seal Ring, Float	1
90	16161-Z151810-0000	Main Jet, Standard	1
	16161-Z151610-0000	Main Jet, Altitude 3000-6000 Feet	1
	16161-Z151410-0000	Main Jet, Altitude 6000-8000 Feet	1
91	90681-Z010610-0000	Seal Ring	1
92	210P-001	Cylinder Head Subassembly	1

WIRING DIAGRAM

