
**Kaishan Technologies
Rotary Screw Air
Compressor**

**KRSL 30HP
Parts Manual**

PN: 97002023000136

Release in July, 2023 Version: C

(45PSI/208V/230V/460V/60HZ/FS/ASME/UL)

TABLE OF CONTENTS

Service Parts	3
Serial Number	3
Fluid Specification	4
Spare Parts	5
Airend and Inlet valve.....	6
Base Mounting.....	8
Reservoir	10
Driving System and Electrical Motor	12
Air Cooler	14
Fluid Piping.....	16
Air Piping.....	18
Canopy	20
Electrical Enclosure	22
Decals	23
Standard Terms and Conditions.....	26
Appendix.....	29
Contact Information	30

Service Parts

The following information must be provided for ordering service parts:

1. The serial number of unit must be provided. It will be verified to ensure correct replacement parts are ordered.
2. Service parts must be ordered from closest authorized distributor.
3. Exact part number, quantity and delivery method must be provided.

All service parts must be ordered through nearest authorized distributor. Insist on genuine manufacturer parts only. Failure to do so may void product warranty.

Serial Number

The unit serial number can be found on serial number tag, which is located on the cabinet corner post of the unit. The serial number tag is shown as follows.



Fluid Specification

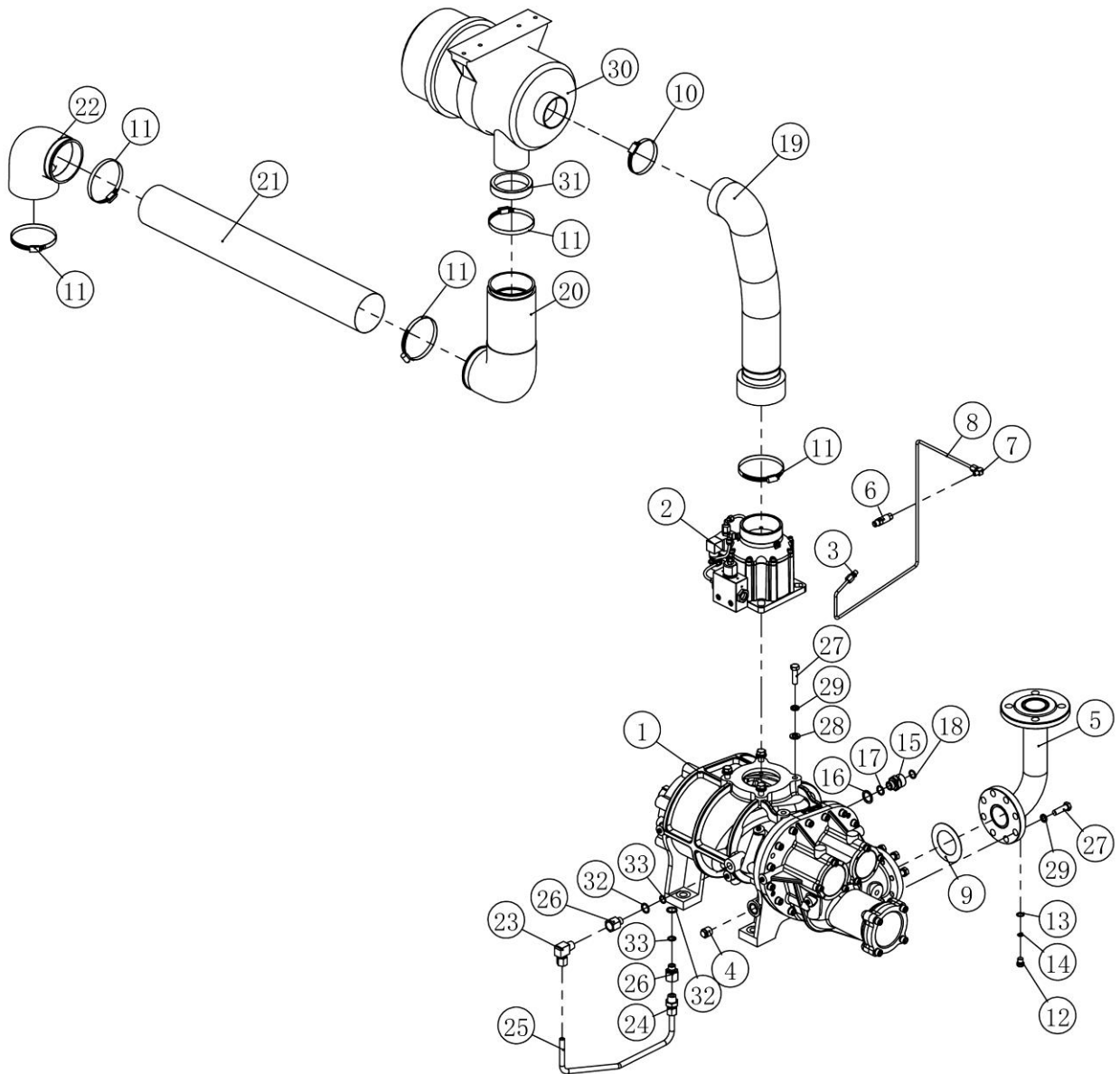
All KRSL Compressors must use KCA recommended fluid for maintenance.

Spare Parts

Recommended spare parts are shown as follows:

ITEM	No.	QTY	PART NUMBER	DESCRIPTION		
1		1	56006 158376	Air filter element		
2		1	537705 330800	Oil filter		
3		1	537704 312120	Fluid/air separator element		

Airend and Inlet valve

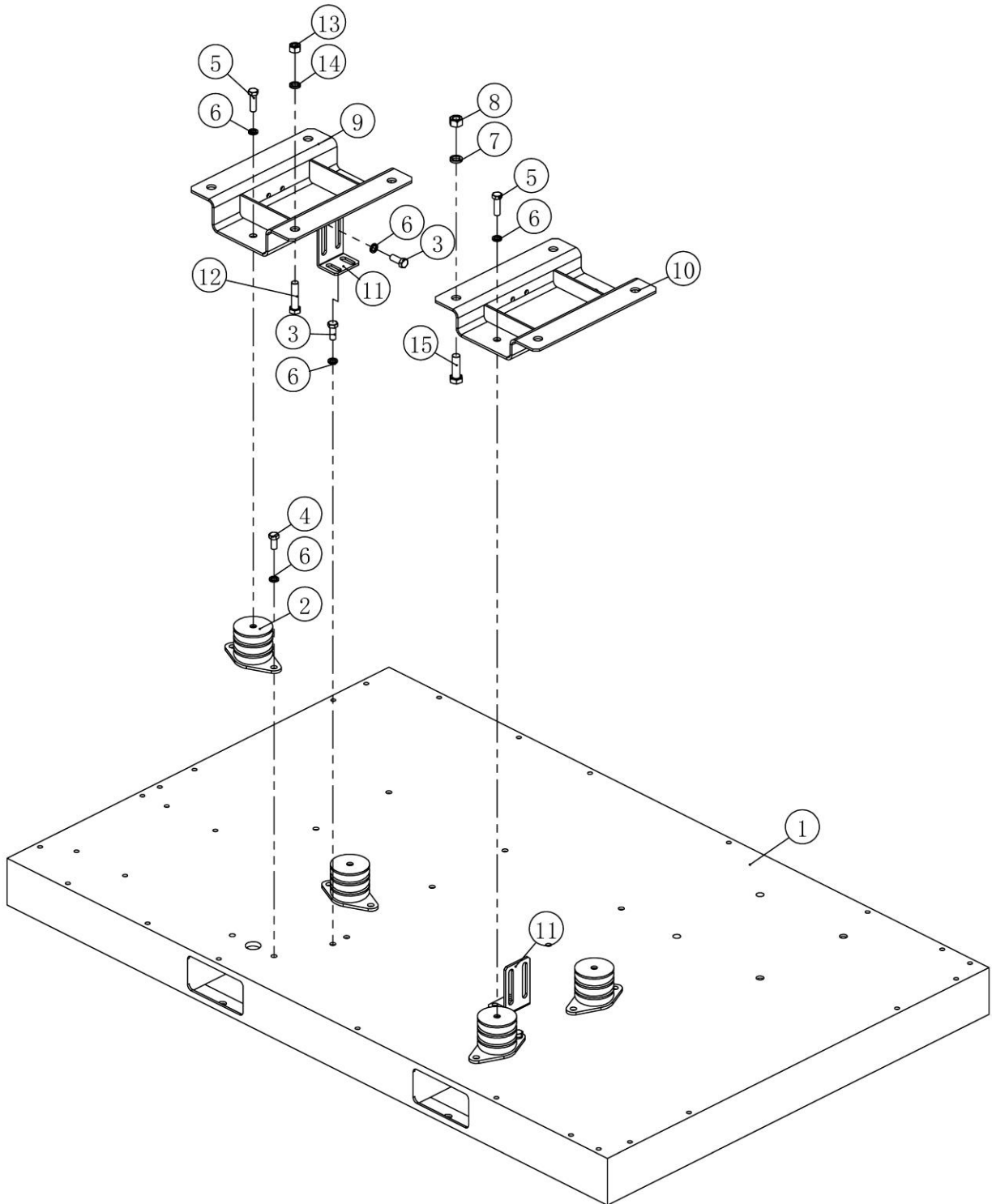


Airend and Inlet valve

NO.	VERSION	PN	DESCRIPTION	QTY	REMARK
1		1820101	Airend	1	
2		01608 08508 00	Inlet valve	1	
2A*		04002 00085 00	Inlet valve kit	1	Spring A, Spring B, Seal gasket, Piston ring, O-ring 69.52x2.62, O-ring 16x2, O-ring 28x2, O-ring 126.59x3.53
2B*		01605 09037 37	Regulator valve	1	
2C*		00000 07102 70	Solenoid valve	1	
3		01512 06100 00	Joint	1	
4		02103 00015 02	Plug	1	
5		87117 01001 00	Airend discharge pipe	1	
6		01610 03000 00	Check valve	1	
7		01513 06100 00	Joint	1	
8		87117 01002 00	Oil return pipe	1	
9		02216 05016 06	Gasket	1	
10		04401 08001 00	Hoop	1	
11		04401 09012 00	Hoop	5	
12		18404 03100 00	Plug	1	M12X1.5
13		02201 01215 00	Screw washer	1	
14		02901 00950 10	O ring	1	9.5*1.8
15		13315 06001 09	Joint	1	
16		02201 00015 00	Screw washer	1	
17		02901 01800 20	O ring	1	18*2.65
18		02901 01600 20	O ring	1	16*2.65
19		02907 08100 55	Flexible pipe	1	
20		02907 10100 28	Flexible pipe	1	
21		87117 01004 00	Stainless steel pipe	1	
22		07716 10010 80	Air filter connecting elbow	1	
23		01513 01221 00	Joint	1	
24		01512 12210 00	Joint	1	
25		87117 01003 00	Oil injection pipe	1	
26		87117 01170 00	Joint	2	
27		01307 12040 00	Bolt	12	M12*40
28		01366 12000 00	Washer	4	12
29		01365 12000 00	Washer	12	12
30	S01	07702 06153 76	Air filter Assy.	1	Filter element 56006 158376
31		02218 08109 90	Clamp	1	
32		02201 00010 00	Screw washer	2	
33		02901 01450 20	O ring	2	14.5*2.65

*Not shown on the drawing

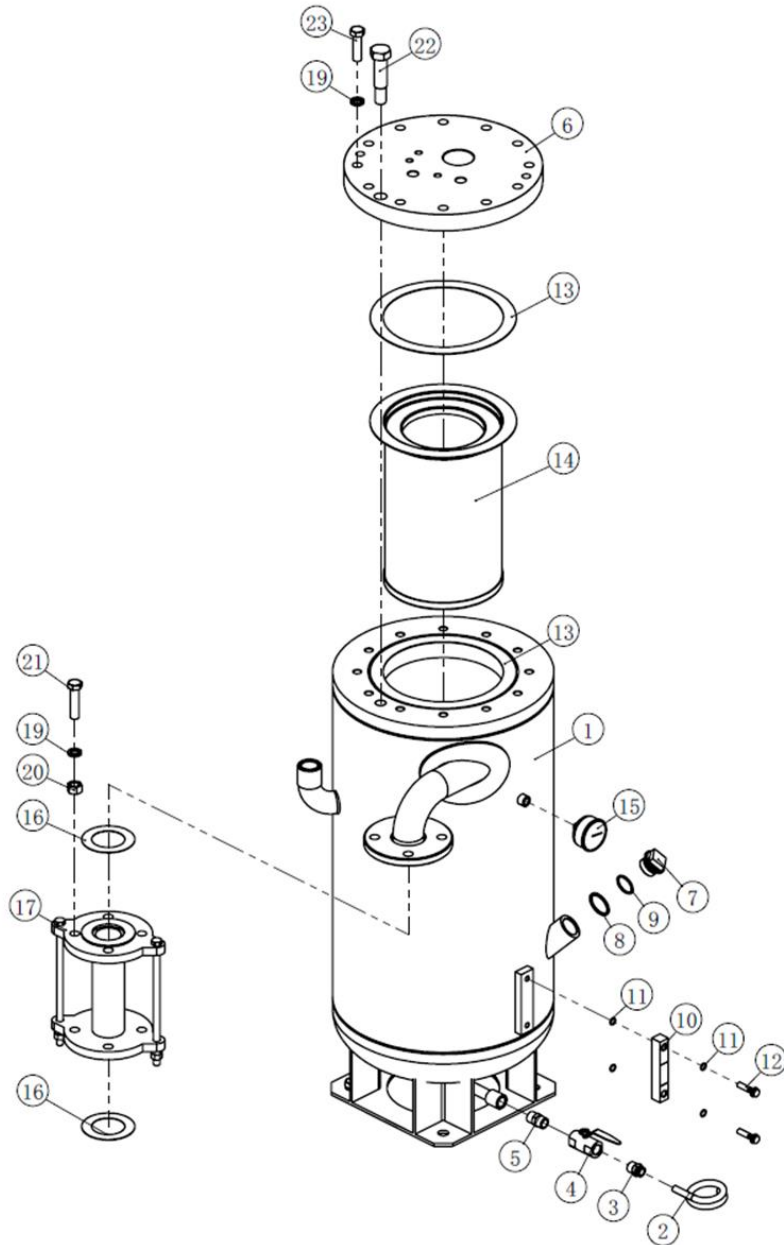
Base Mounting



Base Mounting

NO.	VERSION	PN	DESCRIPTION	QTY	REMARK
1	S01	87117 02010 00	Base	1	
2		02905 00001 00	Absorber	4	
3		01307 12030 00	Bolt	3	M12*30
4		01307 12025 00	Bolt	1	M12*25
5		01307 12040 00	Bolt	2	M12*40
6		01365 12000 00	Washer	6	12
7		01365 16000 00	Washer	1	16
8		01322 16000 00	Nut	1	
9	S01	87117 02001 00	Motor support	1	
10		87117 02002 00	Airend support	1	
11		17330 00005 00	Fixing plate,shipping	2	
12		01306 14060 00	Bolt	1	M14*60
13		01322 14000 00	Nut	1	M14
14		01365 14000 00	Washer	1	14
15		01307 16050 00	Bolt	1	M16*50

Reservoir

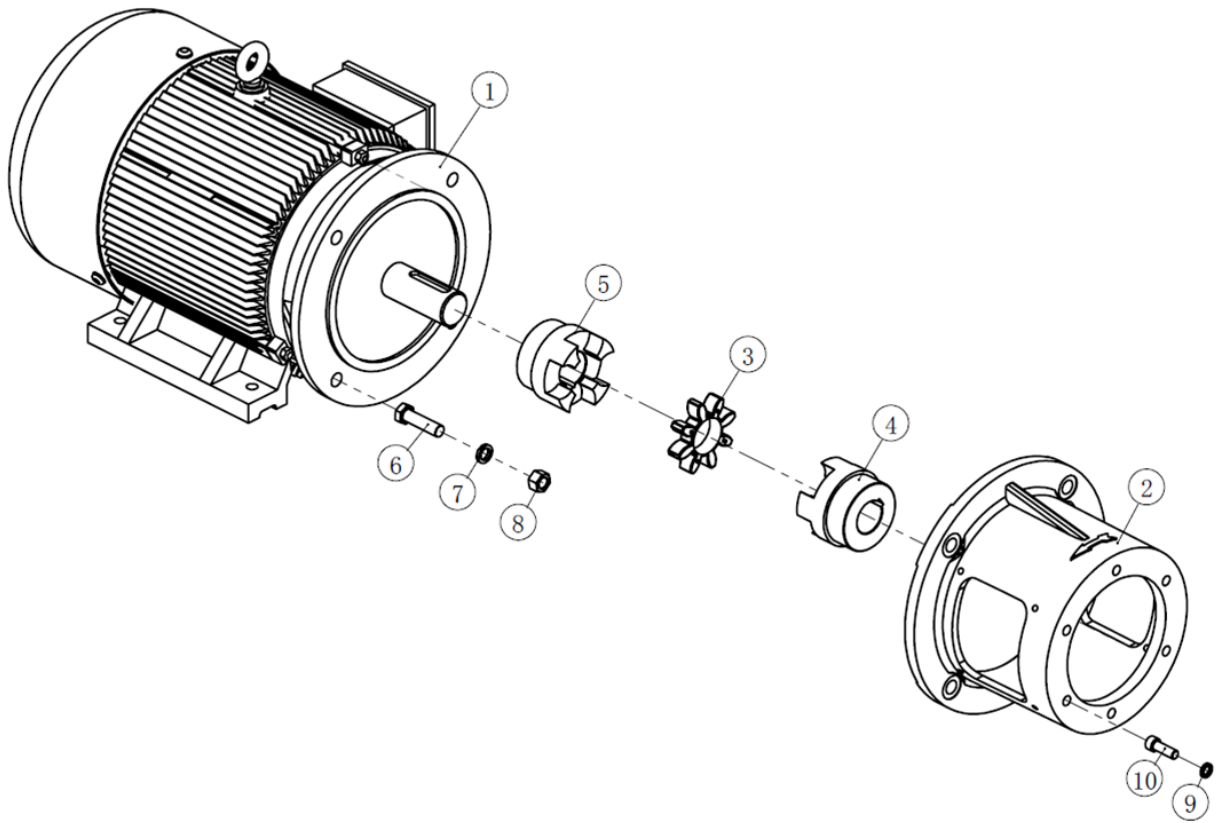


Reservoir

(/)

NO.	VERSION	PN	DESCRIPTION	QTY	REMARK
1	S01	87117 03010 00	Air/fluid separator tank	1	
2		02917 12300 00	Nylon pipe	1	
3		01543 21012 00	Joint	1	
4		01613 01500 00	Ball valve	1	DN15
5		13340 03004 00	Joint	1	
6	S01	90217 03010 60	Lid	1	
7		13340 03003 00	Plug	1	
8		02201 03320 00	Screw washer	1	
9		02901 03350 30	O ring	1	33.5X3.55
10		13315 03002 00	Sight glass	1	
11		02901 01060 10	O ring	4	10.6X1.8
12		13315 03001 00	Hollow bolt	2	M10X40
13		02216 31210 01	Gasket	2	
14		537704 312120	Air/fluid separator element	1	
15		02801 06301 00	Pressure gauge	1	
16		02216 05016 06	Gasket	2	
17		18333 03003 00	Corrugated pipe	1	
18		01307 16035 00	Bolt	1	M16×35
19		01365 16000 00	Washer	3	16
20		01322 16000 00	Nut	1	M16
21		01306 16065 00	Bolt	1	M16×65
22		821141 103030	Bolt	1	
23		01307 16055 00	Bolt	1	M16×55

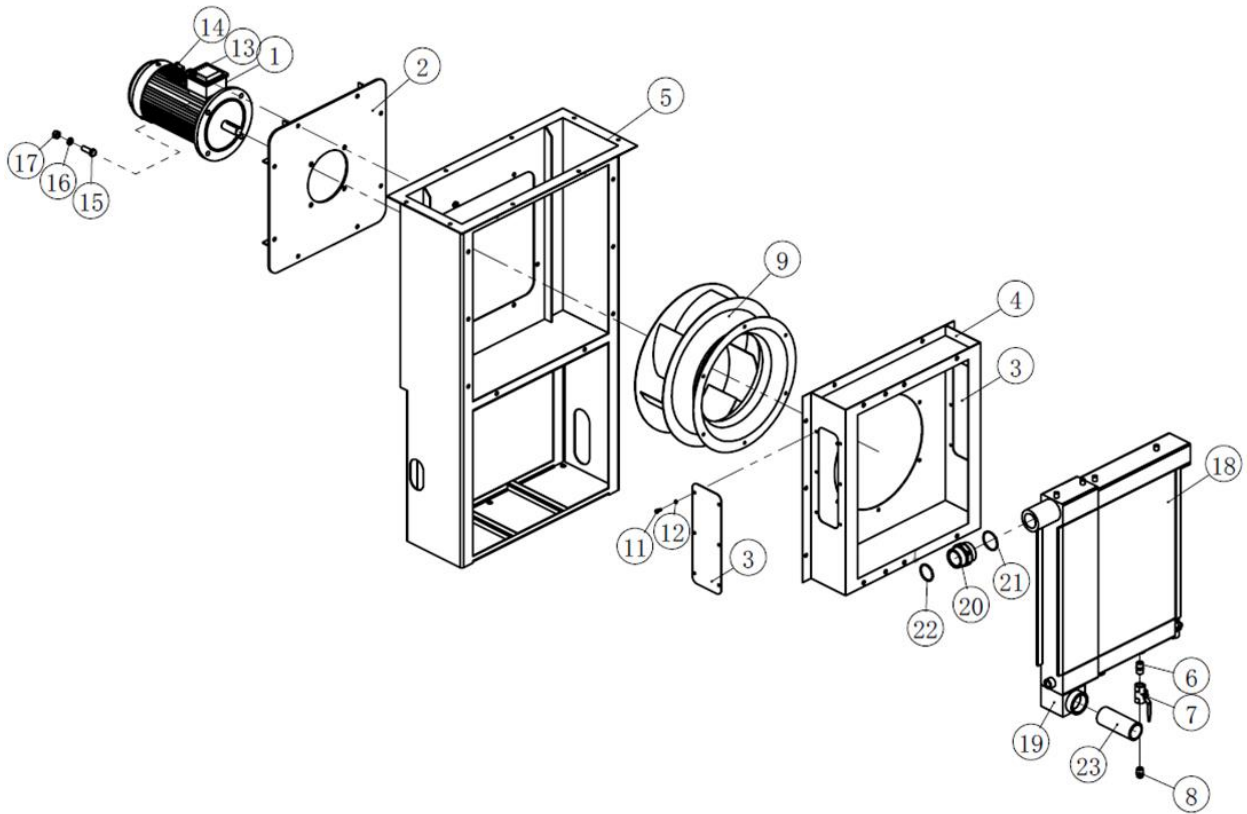
Driving System and Electrical Motor



Driving System and Electrical Motor

NO.	VERSION	PN	DESCRIPTION	QTY	REMARK
1		62022 37643 28	Motor(WEG)	1	
2		01914 10815 00	Motor adaptor	1	
3		01908 04800 00	Elastomer	1	
4		01905 04804 50	Half coupling	1	
5		01905 04804 80	Half coupling	1	
6		01307 16060 00	Bolt	1	M16×60
7		01365 16000 00	Washer	1	16
8		01322 16000 00	Nut	1	M16
9		01365 12000 00	Washer	1	12
10		01344 12035 00	Stud	1	M12×35

Air Cooler

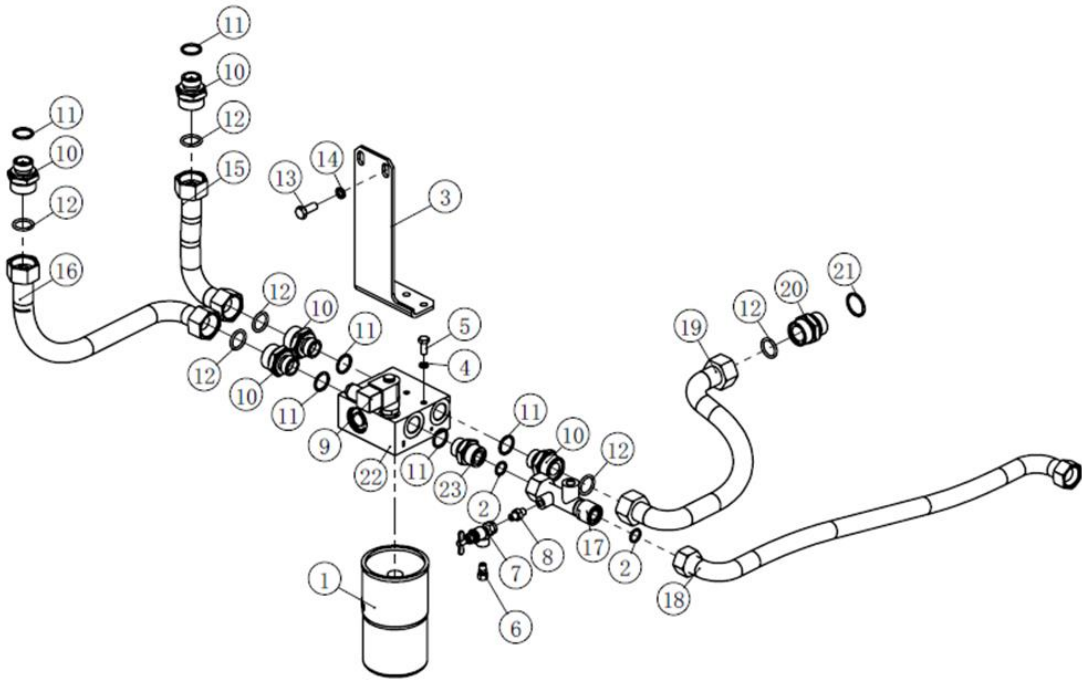


Air Cooler

(/)

NO.	VERSION	PN	DESCRIPTION	QTY	REMARK
1		66001 37651 25	Motor	1	1.1kw
2	S01	87217 05003 00	Fan motor fixing plate	1	
3	S01	91031 05006 01	Seal cover	2	
4	S01	87117 05001 00	Cooler support	1	
5	S01	87117 05002 00	Centrifugal fan support	1	
6		13340 03004 00	Joint	1	
7		01613 01500 00	Ball valve	1	DN15
8		01543 21012 00	Joint	1	
9		07261 45028 12	Impeller	1	
10		07261 45000 22	Collector	1	
11		01307 06016 00	Bolt	1	M6×16
12		01365 06000 00	Washer	1	6
13		01365 10000 00	Washer	1	10
14		01307 10025 00	Bolt	1	M10×25
15		01307 14040 00	Bolt	1	M14×40
16		01365 14000 00	Washer	1	14
17		01322 14000 00	Nut	1	M14
18	S01	87031 05010 01	Oil cooler	1	
19	S01	87117 05010 20	After cooler	1	
20		92001 07003 00	Joint	1	
21		02901 93200 30	O ring	1	3-932
22		02901 05150 30	O ring	1	51.5X3.55
23		87117 05003 00	Connecting pipe	1	

Fluid Piping



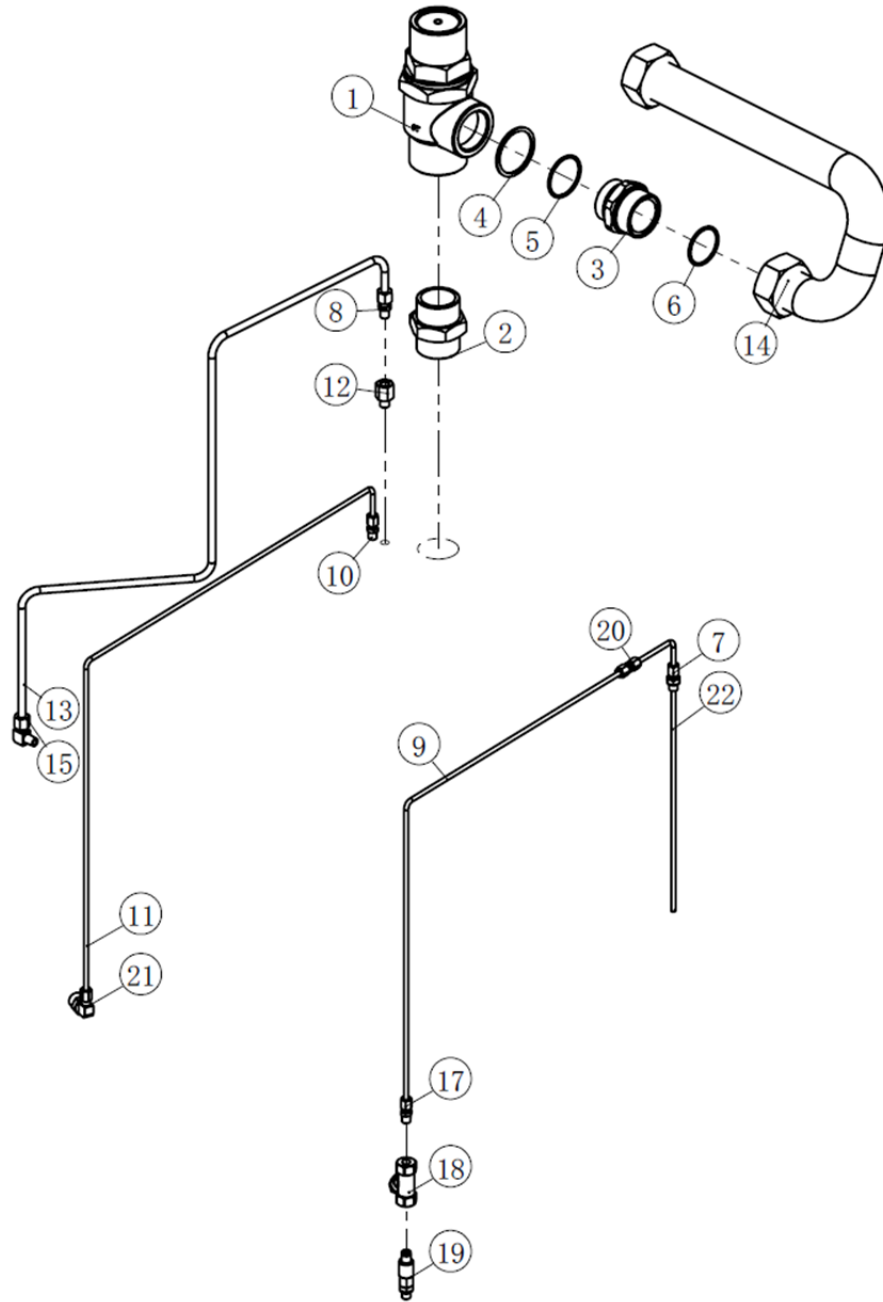
Fluid Piping

(/)

NO.	VERSION	PN	DESCRIPTION	QTY	REMARK
1		537705 330800	Oil filter	1	
2		02901 01600 20	O ring	2	16X2.65
3	S01	87031 06005 01	Oil filter support	1	
4		01365 08000 00	Washer	1	8
5		01307 08020 00	Bolt	1	M8×20
6		01511 06100 00	Joint	1	
7		01613 00600 99	Sample valve	1	
8		98018 07011 06	Joint	1	
9		02809 02000 00	Oil filter indicator	1	
10		91001 06004 00	Joint	5	
11		02901 91200 30	O ring	6	3-912
12		02901 02360 30	O ring	6	23.6X3.55
13		01307 10025 00	Bolt	1	M10×25
14		01365 10000 00	Washer	1	10
15		87031 06003 01	Oil pipe	1	Inlet cooler
16		87031 06004 01	Oil pipe	1	Outlet cooler
17		87117 06001 00	Oil pipe	1	Inlet aierend
18		87117 06002 00	Oil pipe	1	Inlet aierend
19		87117 06003 00	Oil pipe	1	Tank to thermal valve
20		91201 06005 00	Joint	1	
21		02901 91600 30	O ring	1	3-916
22		01611 02016 36	Thermal valve	1	
22A*		04004 02016 36	Thermal valve kit	1	check ring,oring, adjustable block, thread sleeve, valve element, plunger, spring
23		87201 06004 00	Joint	1	

*Not shown on the drawing

Air Piping

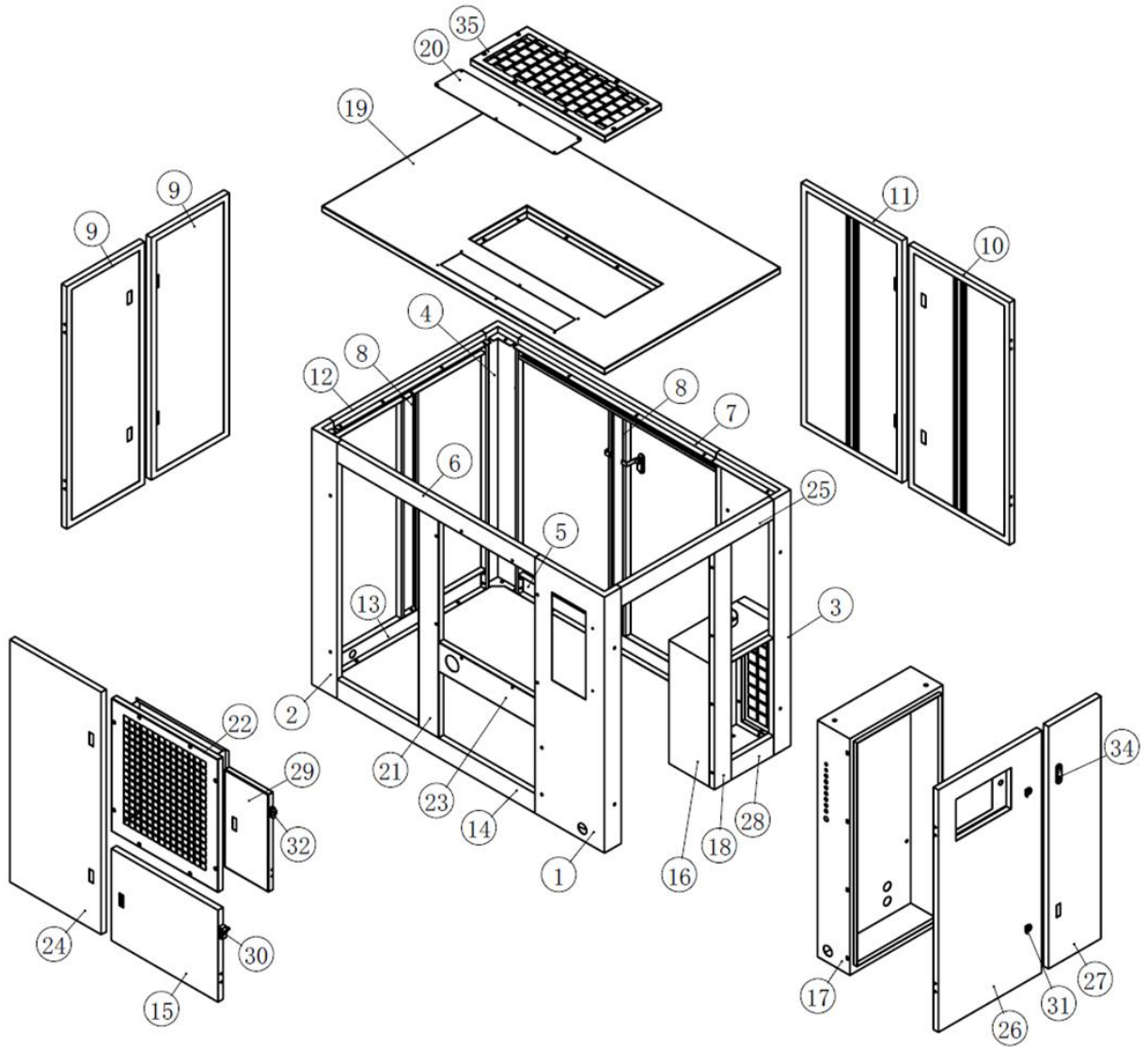


Air Piping

(/)

NO.	VERSION	PN	DESCRIPTION	QTY	REMARK
1		01612 05001 02	MPV	1	Rectangular Spring, O-ring 75 X3.55, O-ring 54.5 X3.55, check , Pressure maintaining spool, check valve core
1A*			MPV kit		
2		98018 07003 00	Joint	1	R2-R2
3		19315 07007 09	Joint	1	G2-M64X2
4		02201 00050 00	Screw washer	1	
5		02901 05600 30	O ring	1	56X3.55
6		02901 05150 30	O ring	1	51.5X3.55
7		92217 03300 00	Joint	1	
8		01523 10130 00	Joint	1	
9		87117 07002 20	Scavenging pipe	1	
10		01512 06140 00	Joint	1	
11		87117 07004 00	Air control pipe	1	
12		82419 03200 01	Joint	1	NPT0.25-RP0.25
13		87117 07005 00	Blow down pipe	1	
14		87117 07001 00	Air pipe	1	Inlet cooler
15		01513 10130 00	Joint	1	
16		16315 07004 40	Joint	1	
17		01512 06130 00	Joint	1	
18		07706 00025 00	Filter	1	
19		01610 01010 02	Visible check valve	1	
20		01558 06000 00	Joint	1	
21		01513 06130 00	Joint	1	
22		87117 07002 10	Scavenging pipe	1	

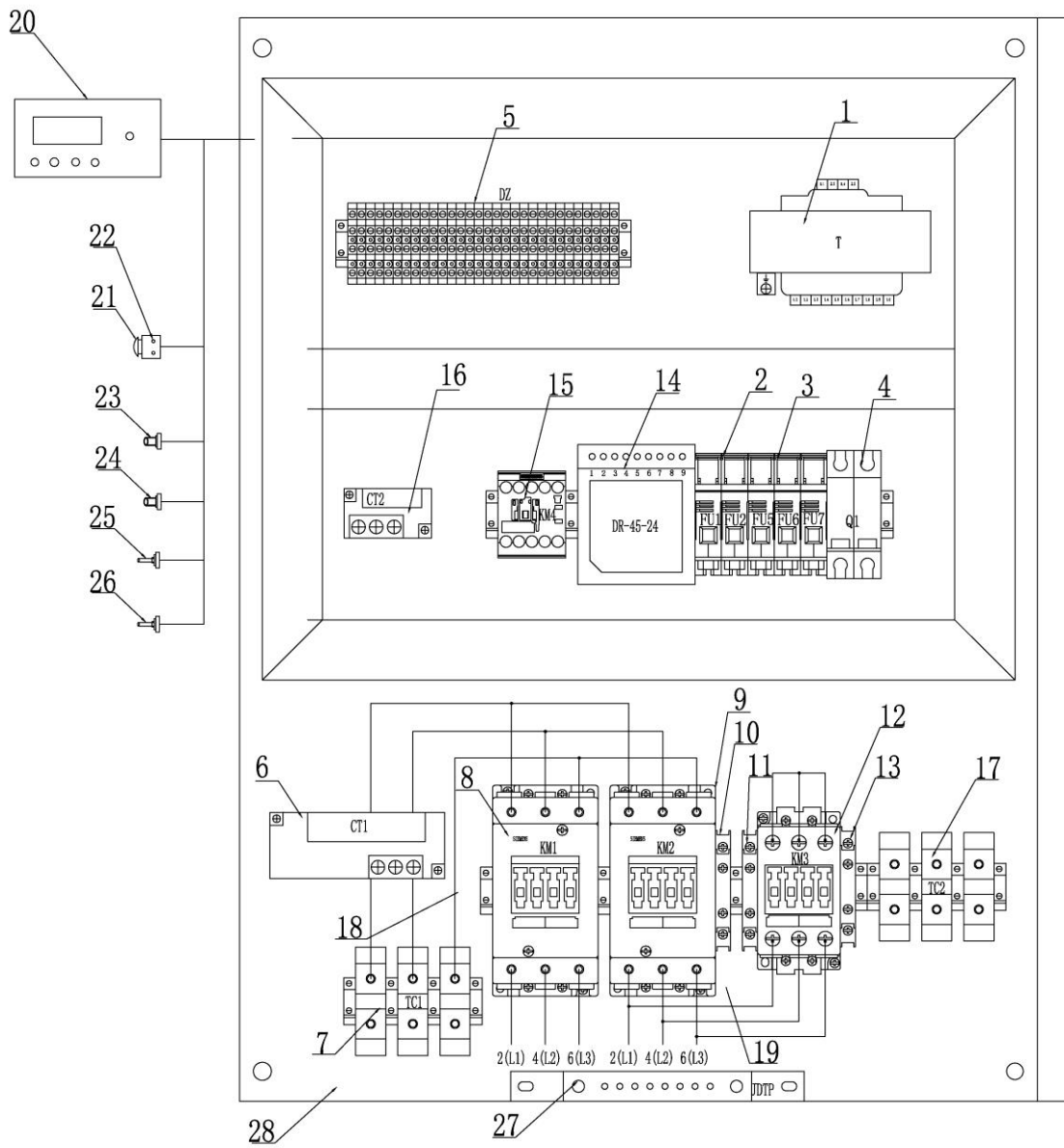
Canopy



Canopy

NO.	VERSION	PN	DESCRIPTION	QTY	REMARK
1	S01	87117 08001 00	Support	1	
2	S01	87117 08002 00	Support	1	
3	S01	87117 08003 00	Support	1	
4	S01	87117 08004 00	Support	1	
5	S01	87117 08005 00	Beam	1	
6	S01	87117 08006 00	Beam	1	
7	S01	87117 08007 00	Beam	1	
8	S01	87117 08110 00	Support	2	
9	S01	87117 08120 00	Door	2	
10	S01	87117 08120 01	Door	1	
11	S01	87117 08120 02	Door	1	
12	S01	87117 08140 00	Beam	1	
13	S01	87117 08160 00	Beam	1	
14	S01	87117 08170 00	Beam	1	
15	S01	87117 08190 00	Door	1	
16	S01	87117 08200 00	Air box	1	
17	S01	87117 08220 00	Electrical box	1	VSD
		87118 08220 00			
18	S01	87117 08230 00	Support	1	
19	S01	87117 08260 00	Top cover	1	
20	S01	87117 08280 00	Cooler seal plate	1	
21	S01	87117 08290 00	Support	1	
22	S01	87117 08300 00	Mesh plate	1	
23	S01	87117 08310 00	Fixing plate	1	
24	S01	87117 08340 00	Door	1	
25	S01	87117 08360 00	Beam	1	
26	S01	87117 08370 00	Door	1	VSD
		87118 08370 00			
27	S01	87117 08380 00	Door	1	
28	S01	87117 08390 00	Beam	1	
29	S01	87217 08210 00	Maintenance door	1	
30		02701 20601 00	Hinge	2	
31		02702 71111 03	Lock	2	
32		02702 22200 00	Hinge	1	
33		02702 84301 00	Lock	1	
34		02702 84301 00	Lock	2	
35	S01	91031 08270 01	Top mesh plate	1	

Electrical Enclosure



Electrical Enclosure

(FS)

NO.	PN	DESCRIPTION	QTY	REMARK
1	02818 03150 10	Transformer	1	T
2	02820 00001 00	Fuse block	2	FU1-FU2
3	02820 00001 00	Fuse block	3	FU5-FU7
4	02819 06526 00	Miniature breaker	1	Q1
5	08703 00004 00	Terminal block	30	DZ
6	02824 00200 00	Main motor transformer	1	CT1
7	08703 00050 00	Terminal	3	TC1
8	02825 60065 01	AC contactor	1	KM1
9	02825 60065 01	AC contactor	1	KM2
10	08705 35921 11	The auxiliary contact	1	FZ
11	08705 35921 11	The auxiliary contact	1	FZ
12	02825 60050 01	AC contactor	1	KM3
13	08705 35921 11	The auxiliary contact	1	FZ
14	02808 04524 00	Power switch	1	DR
15	02825 60038 00	Fan motor contactor	1	KM4
16	02824 20040 00	Fan motor transformer	1	CT2
17	08703 00050 00	Terminal	3	TC2
18	08704 04025 00	Cable	1.5m	BVR
19	08704 06016 00	Cable	2.0m	BVR
20	02811 15191 37	Monitor	1	XSQ
21	02827 04844 00	Emergency button	1	JT
22	02827 04104 00	Emergency button seat	1	JT
23	02810 01097 00	Pressure sensor	1	DP
24	02810 01097 00	Pressure sensor	1	SP
25	02810 30940 00	Temperature sensor	1	DT
26	02810 30940 00	Temperature sensor	1	ST
27	02829 32020 60	Grounding copper bar	1	JDTP
28		Electrical control board	1	DXB
*29	02821 10002 00	Fuse	3	FU5-FU7
*30	02821 10004 00	Fuse	2	FU1-FU2

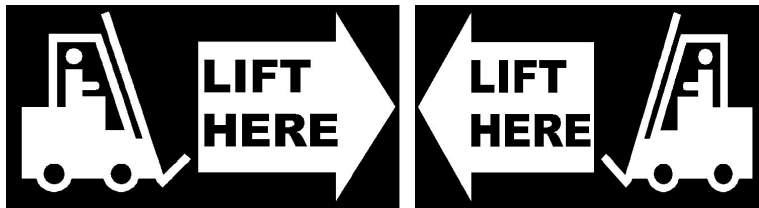
Note: * Items are not shown on the drawing.

Decals

Decals information is shown as following.



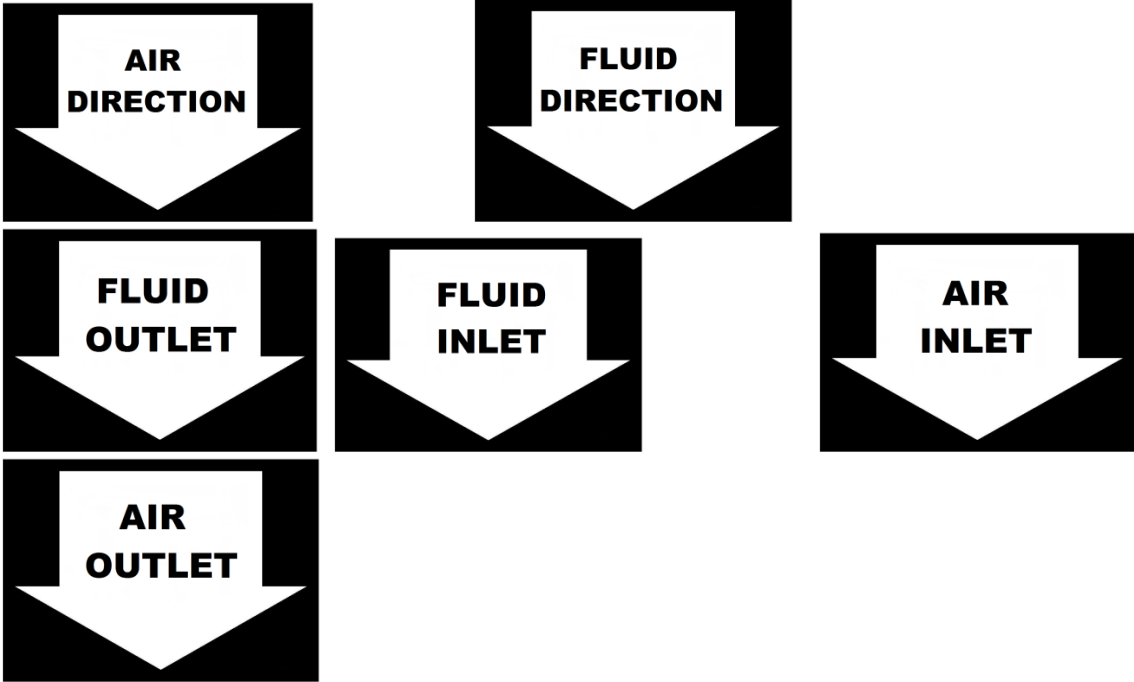
Decals



NOTE:

1. DECALS P/N : 142939

Decals



NOTE:

- 1. DECALS P/N : 142939

Standard Terms and Conditions

These terms and conditions govern the sale of Products (“Rotary Screw Air Compressors and parts”) and provisions of services by Kaishan Technologies Compressor Co. Ltd (Seller) and its authorized representative or buyer. These terms and conditions (“Agreement”) take precedence over Buyer’s supplemental or conflicting terms and conditions to which notice of objection is hereby given. Neither Seller’s commencement of performance or delivery shall be deemed or construed as acceptance of Buyer’s supplemental or conflicting terms and conditions. Kaishan Technologies Compressor’s failure to object to conflicting or additional terms will not change or add to the terms of this agreement. Buyer’s acceptance of the Products and/or Services from Seller shall be deemed to constitute acceptance of the terms and conditions contained herein.

Orders: All orders placed by Buyer are subject to acceptance by Seller. Orders may not be canceled or rescheduled without Seller’s written consent. All orders must identify the products, unit quantities, part numbers, applicable prices and requested delivery dates of the Products being purchased. Seller may at its sole discretion allocate Product among its Buyer. Seller may designate certain Products and Services as non-cancelable, non-returnable and the sale of such Products shall be subject to the special terms and conditions contained in Seller’s Customer Acknowledgement or Non-Returnable Product Form, which shall prevail and supersede any inconsistent terms and conditions contained herein or elsewhere.

Prices: The prices of the Products are those prices specified on the front of the invoice or contained within an agreed written contract. Price quotations shall automatically expire in thirty (30) days from the date issued, or as otherwise stated in the quotation.

Taxes: Unless otherwise agreed to in writing by Seller, all prices quoted are exclusive of transportation and insurance costs, duties, and all taxes including federal, state and local sales, excise and value added, goods and services taxes, and any other taxes. Buyer agrees to indemnify and hold Seller harmless for any liability for tax in connection with the sale, as well as the collection or withholding thereof, including penalties and interest thereon. When applicable, transportation and taxes shall appear as separate items on Seller’s invoice.

Payment: Payment may be made by check, money order, credit card, or wire transfer (all fees are borne by the Buyer). Where Seller has extended credit to Buyer, terms of payment shall be net thirty (30) days from date of invoice, without offset or deduction. On any past due invoice, Seller may impose a monthly interest rate. If Buyer fails to make the required payments the Seller will impose the interest rate each month. If Buyer fails to make each payment when it is due, Seller reserves the right to withdraw credit and thereby suspend or cancel performance under any or all purchase orders or agreements in which Seller has extended credit to Buyer. In the event of default by Buyer, Seller shall be entitled to costs, fees, and expenses including but not limited to recovery of attorney fees, court costs and fees, and collections costs.

Standard Terms and Conditions

Delivery and Title: The locations of shipment delivery will be made according to the Seller and Buyer agreement. Title and risk of loss pass to the Buyer upon delivery of the Product to the carrier. Seller's delivery dates are estimates only and Seller is not liable for delays in delivery or for failure to perform due to causes beyond the reasonable control of the Seller, nor shall the carrier be deemed an agent of the Seller. A delayed delivery of any part of an Order does not entitle Buyer to cancel other deliveries. Kaishan Technologies Compressor will comply with various federal, state and local laws and regulation concerning occupational health, safety and environment concerns. Buyer has full responsibility to comply with those laws and regulations during the installation and operation of the equipment.

Acceptance / Returns: Shipments will be deemed to have been accepted by Buyer upon delivery of the said shipments to Buyer unless rejected upon receipt. Buyer shall perform all inspections and tests. Buyer deems necessary as promptly as possible but in no event later than 7 days after receipt of Products, at which time Buyer will be deemed to have irrevocably accepted the Products. Any discrepancy in shipment quantity must be reported within 7 days after receipt of Products. Buyer may not return Products without a Return Material Authorization ("RMA") number. RMA's valid for 30 days from the date issued.

Standard Warranty: Buyer will honor Product warranties and indemnities authorized by the manufacturer, including any transferable. 90 days warranty is given for service parts from receipt date. Seller warrants to Buyer that Products purchased hereunder will conform to the applicable manufacturer's specifications for such products and that any value-added work performed by Seller on such Products will conform to applicable Buyer's specifications. If Seller breaches this warranty, Buyer's remedy is limited to (at Seller's election) (1) refund of Buyer's purchase price for such Product (without interest), (2) repair of such Products, or (3) replacement of such Products provided that such Products must be returned to Seller, along with acceptable evidence of purchase within 13 days from date of delivery, transportation charges prepaid. No warranty will apply if the Product has been subject to misuse, neglect, accident or modification.

Limitation of Liabilities: Buyer shall not be entitled to, and Seller shall not be liable for, loss of profit or revenue, promotional or manufacturing expenses, overheads expenses, business interruption cost, loss of data, removal or reinstallation costs, injury to reputation of buyer, punitive damages, loss of contractor orders or any indirect, special, incidental or consequential damages of any nature. Buyer's recovery from seller for any claim shall not exceed the purchase price paid for the affected products irrespective of the nature of the claim whether in contract, tort, warranty, or otherwise. Buyer will indemnify, defend and hold seller harmless from any claims based on (a) Seller's compliance with buyer's designs, specifications, or instructions, (b) Modification of any products by anyone other than Seller, or (c) use in combination with other products not supplied by seller.

Standard Terms and Conditions

Use of Products: Unless otherwise specified. Products sold by Seller are not designed, intended or authorized for use in life support, life sustaining, nuclear, or other applications in which the failure of such Products could reasonably be expected to result in personal injury, loss of life or catastrophic property damage. If buyer uses or sales the Products for use in any such applications: (1) Buyer acknowledges that such use or sale is at Buyer's sole risk; (2) Buyer agrees that Seller and the manufacturer of the Products are not liable, in whole or in part, for any claim or damage arising from such use; and (3) Buyer agrees to indemnify, defend and hold Seller and the manufacturer of the Products harmless from and against any and all claims, damages, losses, costs, expenses and liabilities arising out of or in connection with such use or sale.

Force Majeure: Seller is not liable for failure to fulfill its obligations for any accepted Order or for delays in delivery due to causes beyond Seller's reasonable control including, but not limited to, acts of God, natural or artificial disaster, riot, war, strike, delay by carrier, shortage of Product, acts or omissions of other parties, acts or omissions of civil or military authority, Government priorities, changes in law, material shortages, fire, strikes, floods, epidemics, quarantine restrictions, acts of terrorism, delays in transportation or inability to obtain labor, materials or products through its regular sources, which shall be considered as an event of force majeure excusing Seller from performance and barring remedies for non-performance. In an event of force majeure condition, the Seller's time for performance shall be extended for a period equal to the time lost as a consequence of the force majeure condition without subjecting Seller to any liability or penalty. Seller may, at its option, cancel the remaining performance, without any liability or penalty, by giving notice of such cancellation to the Buyer.

General: (a) Seller will comply with state law for any dispute from buyer. (b) Buyer may not assign this Agreement without the prior written consent of Seller. Seller or its affiliates may perform the obligations under this Agreement. This Agreement is binding on successor and assigns, (c) Products, including software or other intellectual property, are subject to any applicable rights of third parties, such as patents, copyrights and/or user licenses.

Appendix

(If your machine is standard, this page is blank.)

Contact Information

Kaishan Compressor, LLC.,
Add.: 15445 Industrial Park Dr. Loxley, AL , Post code: 36551
Office number: +1 251-202-0577
www.KaishanUSA.com