



Air Conditioning & Heating

GPH16H

COOLING CAPACITY: 24,000 - 57,500 BTU/H

HEATING CAPACITY: 22,800 - 54,500 BTU/H

PACKAGED HEAT PUMP

2 TO 5 TONS

UP TO 16 SEER



Contents

Nomenclature..... 2

Product Specifications..... 3

Expanded Cooling Data 4

Expanded Heating Data..... 16

Airflow Data 19

Heat Kit Electrical Data 20

Dimensions 21

Wiring Diagrams 22

Accessories 24

Standard Features

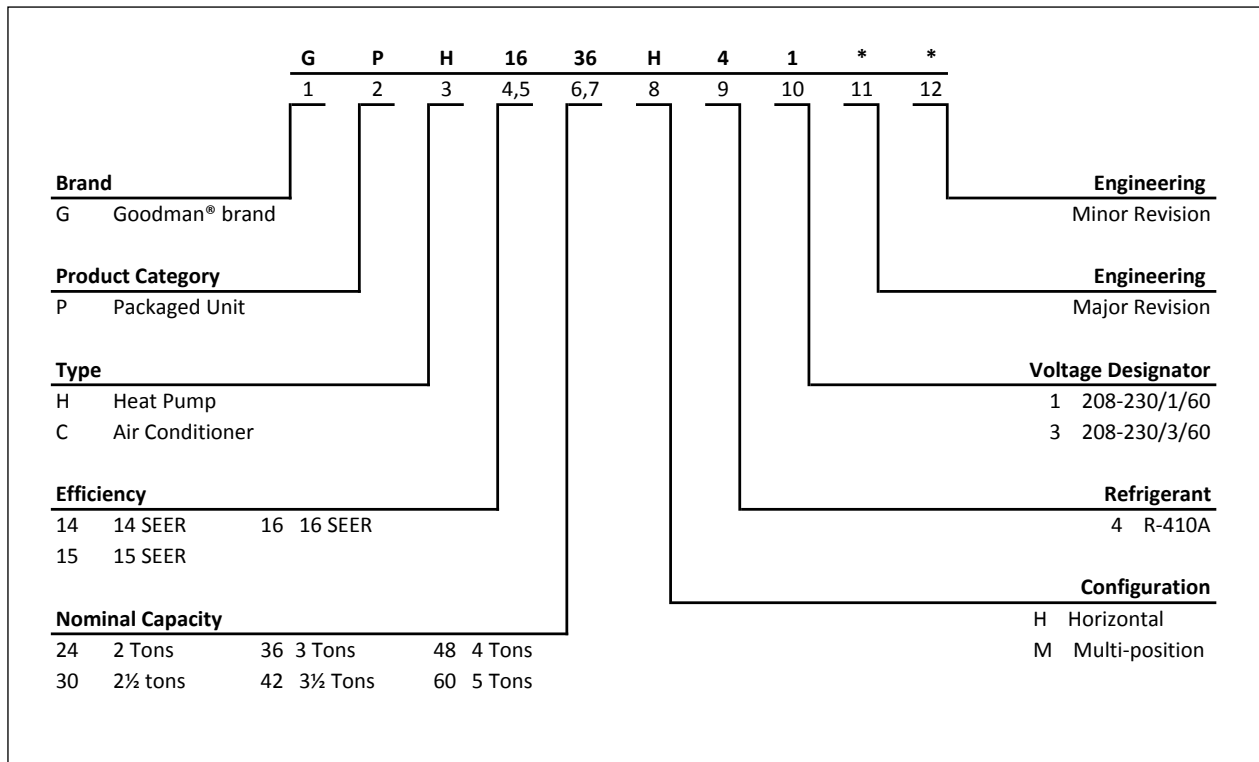
- Energy-efficient compressor
- Multi-speed ECM blower motor
- All-aluminum evaporator coil
- Copper tube/aluminum fin coil
- Totally enclosed, permanently lubricated condenser fan motor
- Fully charged system
- Quiet horizontal discharge
- Electric heat kit available as a field-installed option
- AHRI Certified; ETL Listed

Cabinet Features

- Heavy-gauge galvanized-steel cabinet with attractive Architectural Gray powder-paint finish
- Fully insulated blower compartment with convenient access panels
- Cabinet air leakage less than 2.0% at 1.0 inch H₂O when tested in accordance with ASHRAE standard 193
- Cabinet air leakage less than 1.4% at 0.5 inch H₂O when tested in accordance with ASHRAE standard 193
- Louvered condenser coil protection



* Complete warranty details available from your local dealer or at www.goodmanmfg.com. To receive the 10-Year Parts Limited Warranty, online registration must be completed within 60 days of installation. Online registration not required in California or Québec.



	GPH16 24H41A*	GPH16 30H41A*	GPH16 36H41A*	GPH16 42H41A*	GPH16 48H41A*	GPH16 60H41A*
COOLING CAPACITY						
AHRI Cooling Capacity (BTU/h)	24,000	28,400	36,000	40,500	46,000	57,500
Sensible BTU/h	18,200	23,400	27,400	29,600	35,400	40,500
SEER / EER	16.0 / 13.0	16.0 / 12.5	16.0 / 13.0	16.0 / 12.0	16.0 / 12.0	15.5/12
Decibels	76	76	78	78	80	80
AHRI Numbers	7953308	7953310	7953311	7953312	7953729	9008583
HEATING CAPACITY						
BTU/h (47°F)	22,800	27,600	32,200	37,600	44,000	54,500
C.O.P. (47°F)	3.8	3.8	3.8	3.8	3.8	3.6
BTU/h (17°F)	13,000	15,400	20,400	21,600	26,000	33,800
C.O.P. (17°F)	2.4	2.5	2.4	2.4	2.4	2.4
HSPF	8.0	8.0	8.0	8.0	8.0	8.2
EVAPORATOR MOTOR						
Type	EEM	EEM	EEM	EEM	EEM	EEM
Wheel (D x W)	10 x 8	10 x 8	10 x 8	10 x 8	10 x 8	11X8
Cooling CFM	875	1,050	1,200	1,300	1,600	1,700
Fan-Only CFM	800	950	1,100	1,200	1,400	1,600
RLA	3.8	3.8	3.8	3.8	5.4	5.4
No. of Speeds	5	5	5	5	5	5
Horsepower - RPM	½ - 1,050	½ - 1,050	½ - 1,050	½ - 1,050	¾ - 1,050	¾ - 1,050
EVAPORATOR COIL						
Face Area (ft ²)	5.2	5.2	6.2	6.2	6.2	7
Rows Deep/ Fins per Inch	3/ 14	3/ 14	4/ 14	4/ 14	4/ 14	4/ 14
Indoor Metering Device Size	TXV	TXV	TXV	TXV	TXV	TXV
Filter Size (ft ²)	20 x 20 x 1	20 x 25 x 1	25 x 25 x 1	(2) 20x20x1	(2) 20x20x1	(2) 20x25x1
Drain Size (NPT)	¾"	¾"	¾"	¾"	¾"	¾"
Refrigerant Charge (oz.)	116	116	170	170	170	175
CONDENSER FAN / COIL						
Horsepower - RPM	1/6 - 815	1/6 - 815	¼ - 1075	¼ - 1075	¼ - 1075	¼ - 1075
RLA/LRA	1.1 / 1.7	1.1 / 1.7	1.5 / 3.0	1.4 / 2.9	1.4 / 2.9	1.4 / 2.9
Fan Diameter / # Fan Blades	22 / 3	22 / 3	22 / 4	22 / 4	22 / 4	22 / 4
Face Area (ft ²)	14.3	14.3	17	17	17	19
Outdoor Metering Device Size	0.047	0.047	0.057	0.059	TXV	TXV
Rows Deep/ Fins per Inch	2 / 16	2 / 16	2 / 16	2 / 16	2 / 16	2 / 20
COMPRESSOR						
Quantity / Type / Stage	1 / Scroll / Single	1 / Scroll / Single	1 / Scroll / Single	1 / Scroll / Single	1 / Scroll / Two	1 / Scroll / two
Compressor RLA/LRA	12.8 / 58.3	14.1 / 73	16.7 / 79	17.9 / 112	21.2 / 104	26.4 / 134
ELECTRICAL DATA						
Voltage/ Phase (60 Hz)	208-230/ 1	208-230/ 1	208-230/ 1	208-230/ 1	208-230/ 1	208-230/ 1
Indoor Blower FLA	3.8	3.8	3.8	3.8	5.4	5.4
Outdoor Fan RLA	1.1	1.1	1.4	1.4	1.4	1.4
Total Unit Amps	17.7	19	21.9	23.1	28	33.2
Min. Circuit Ampacity ¹	21	23	27	28	35	40
Min. Overcurrent Protection ²	30 amps	35 amps	40 amps	45 amps	50 amps	60 amps
OPERATING WEIGHTS (LBS)	315	315	375	375	400	405
SHIPPING WEIGHTS (LBS)	325	325	385	385	410	415

¹ Wire size should be determined in accordance with National Electrical Codes. Extensive wire runs will require larger wire sizes.

² Must use time-delay fuses or HACR-type circuit breakers of the same size as noted.

Always check the S&R plate for electrical data on the unit being installed.

Table with columns for Outdoor Ambient Temperature (65, 75, 85, 95, 105, 115), Airflow, and various performance metrics (MBh, S/T, ΔT, kW, Amps, Hi PR, Lo PR) for three load conditions: 950, 875, and 750. The table is organized into three main sections corresponding to the load conditions.

IDB = Entering Indoor Dry Bulb Temperature
High and low pressures are measured at the liquid and suction access fittings.
Design Subcooling, 5-7 °F @ the liquid access fitting connection AHR1 95 test conditions. Design Superheat 15-18°F @ the compressor suction access fitting connection.
Amps: Unit amps (comp.+ evaporator + condenser fan motors)
kW = Total system power
Shaded area reflects AHR1 (TVA) conditions.

IDB		OUTDOOR AMBIENT TEMPERATURE										ENTERING INDOOR WET BULB TEMPERATURE																																					
		65					75					85					95					105					115																						
		59	63	67	71	75	59	63	67	71	75	59	63	67	71	75	59	63	67	71	75	59	63	67	71	75	59	63	67	71	75																		
950	MBh	23.9	24.4	26.1	27.9	23.3	23.8	25.5	27.2	22.8	23.3	24.8	26.6	22.2	22.7	24.2	25.9	21.1	21.6	23.0	24.6	19.5	20.0	21.3	22.8	0.92	0.86	0.70	0.53	0.98	0.92	0.75	0.56	1.00	0.95	0.77	0.58	1.00	0.98	0.80	0.60	1.00	1.00	0.81	0.60				
	S/T	21	20	18	14	22	21	18	14	22	21	18	14	21	21	18	14	20	20	20	18	14	19	19	17	13	1.45	1.48	1.53	1.58	1.66	1.70	1.76	1.82	1.75	1.79	1.85	1.92	1.83	1.87	1.94	2.00	1.90	1.94	2.01	2.08			
	ΔT	6.2	6.3	6.5	6.7	6.6	6.8	7.0	7.2	7.1	7.3	7.5	7.8	7.6	7.7	7.8	8.0	8.2	8.0	8.2	8.4	8.7	8.4	8.6	8.9	9.2	2.22	2.39	2.52	2.63	2.83	3.05	3.22	3.36	3.23	3.47	3.67	3.83	3.63	3.91	4.13	4.30	4.01	4.32	4.56	4.76			
	Amps	112	119	130	138	118	126	137	146	123	131	143	152	129	137	150	160	135	144	157	167	140	149	163	173	20.9	21.3	22.8	24.4	20.9	21.3	22.8	24.4	19.3	19.8	21.1	22.6	19.3	19.8	21.1	22.6	17.9	18.2	19.5	20.8				
	Hi PR	21.8	22.3	23.8	25.5	21.3	21.8	23.3	24.9	20.8	21.3	22.7	24.3	20.3	20.7	22.2	23.7	19.3	19.7	21.0	22.5	17.9	18.2	19.5	20.8	0.90	0.85	0.69	0.51	0.96	0.90	0.73	0.55	0.99	0.93	0.76	0.57	0.99	0.93	0.76	0.57	1.00	0.94	0.76	0.57				
	Lo PR	2.2	2.1	1.9	1.5	2.3	2.2	1.9	1.5	2.3	2.2	1.9	1.5	2.3	2.2	1.9	1.5	2.3	2.2	1.9	1.5	2.0	2.0	1.8	1.4	1.41	1.44	1.48	1.53	1.62	1.70	1.75	1.81	1.75	1.79	1.85	1.91	1.82	1.87	1.93	2.00	1.89	1.93	2.00	2.07				
	Amps	6.2	6.3	6.5	6.7	6.6	6.7	6.9	7.2	7.1	7.3	7.5	7.8	7.6	7.7	7.8	8.0	8.2	8.0	8.2	8.4	8.7	8.4	8.6	8.9	9.2	2.21	2.38	2.52	2.62	2.83	3.04	3.21	3.35	3.22	3.46	3.66	3.81	3.62	3.90	4.11	4.29	4.00	4.31	4.55	4.74			
	Hi PR	215	231	244	255	241	259	274	286	274	295	311	325	312	336	355	370	351	378	399	416	388	418	441	460	108	115	126	134	114	122	133	147	125	133	145	154	131	139	152	162	140	148	162	173				
	Lo PR	24.3	24.8	25.9	27.7	23.7	24.2	25.3	27.0	23.2	23.6	24.7	26.4	22.6	23.0	24.1	25.7	21.5	21.9	22.9	24.4	19.9	20.3	21.2	22.6	0.96	0.93	0.84	0.68	1.00	0.99	0.89	0.72	1.00	1.00	0.92	0.75	1.00	1.00	0.96	0.78	1.00	1.00	0.96	0.78				
	Amps	2.3	2.2	2.1	1.8	2.3	2.3	2.1	1.8	2.2	2.3	2.1	1.8	2.2	2.2	2.2	1.9	2.1	2.1	2.1	1.8	1.9	2.0	1.7	1.46	1.49	1.54	1.59	1.57	1.61	1.66	1.72	1.77	1.83	1.77	1.81	1.87	1.93	1.85	1.89	1.95	2.02	1.91	1.96	2.02	2.09			
Hi PR	6.2	6.3	6.5	6.7	6.7	6.8	7.0	7.2	7.2	7.3	7.6	7.8	7.6	7.8	8.0	8.3	8.1	8.3	8.5	8.8	8.5	8.7	9.0	9.3	2.24	2.41	2.55	2.66	2.52	2.71	2.86	2.98	2.86	3.08	3.25	3.39	3.26	3.51	3.71	3.86	3.67	3.95	4.17	4.35	4.05	4.36	4.61	4.80	
Lo PR	113	120	131	140	119	127	139	148	124	132	144	154	130	139	151	161	137	145	159	169	141	150	164	175	24.0	24.5	25.7	27.4	23.5	23.9	25.1	26.8	22.9	23.4	24.5	26.1	22.4	22.8	23.9	25.5	21.2	21.7	22.7	24.2	19.7	20.1	21.0	22.4	
Amps	0.95	0.91	0.82	0.67	0.98	0.95	0.85	0.69	1.00	0.97	0.88	0.71	1.00	1.00	0.90	0.73	1.00	1.00	0.94	0.76	1.00	1.00	0.95	0.77	24	24	22	19	24	24	23	19	24	24	23	19	24	24	23	20	22	23	22	19	21	21	18	18	
Hi PR	1.45	1.49	1.54	1.59	1.57	1.61	1.66	1.72	1.67	1.71	1.77	1.83	1.76	1.80	1.86	1.93	1.84	1.88	1.95	2.01	1.91	1.95	2.02	2.09	6.2	6.3	6.5	6.7	6.6	6.8	7.0	7.2	7.2	7.3	7.5	7.8	7.6	7.8	8.0	8.3	8.1	8.2	8.5	8.8	8.5	8.7	9.0	9.3	
Lo PR	224	241	254	265	251	270	285	297	285	307	324	338	325	350	369	385	366	394	416	433	404	435	459	479	22.2	22.6	23.7	25.3	21.7	22.1	23.1	24.7	21.2	21.6	22.6	24.1	20.6	21.0	22.0	23.5	19.6	20.0	20.9	22.3	18.2	18.5	19.4	20.7	
Amps	0.91	0.88	0.79	0.64	0.95	0.91	0.82	0.67	0.97	0.94	0.84	0.68	1.00	0.97	0.87	0.71	1.00	1.00	0.90	0.73	1.00	1.00	0.91	0.74	25	24	23	20	25	25	23	20	25	25	23	20	25	25	24	20	24	25	23	20	22	23	22	19	19
Hi PR	1.42	1.45	1.50	1.55	1.53	1.57	1.62	1.67	1.63	1.67	1.72	1.78	1.72	1.76	1.82	1.88	1.79	1.83	1.90	1.96	1.86	1.90	1.96	2.03	6.1	6.2	6.4	6.6	6.5	6.6	6.8	7.0	7.0	7.1	7.3	7.6	7.4	7.6	7.8	8.1	7.8	8.0	8.3	8.6	8.3	8.5	8.7	9.0	9.3
Lo PR	217	233	247	257	243	262	277	289	277	298	315	328	315	339	358	374	355	382	403	420	392	422	445	465	109	116	127	135	116	123	134	143	120	128	139	148	126	134	146	156	132	141	153	163	137	145	159	169	

IDB = Entering Indoor Dry Bulb Temperature
 High and low pressures are measured at the liquid and suction access fittings.
 Design Subcooling, 5-7 °F @ the liquid access fitting connection AHR1 95 test conditions. Design Superheat 15-18°F @ the compressor suction access fitting connection.
 Shaded area reflects AHR1 conditions.
 kW = Total system power
 Amps: Unit amps (comp.+ evaporator + condenser fan motors)

GPH1624H41**

	OUTDOOR AMBIENT TEMPERATURE																	
	65	60	55	50	47	45	40	35	30	25	20	17	15	10	5	0	-5	-10
MBh	28.7	27.1	25.5	23.9	22.8	22.1	20.5	18.9	16.2	15.0	13.8	13.0	12.5	11.2	10.0	8.7	7.4	6.1
T/R	30.3	28.7	27.0	25.3	24.1	23.4	21.7	20.0	17.1	15.8	14.6	13.8	13.2	11.9	10.5	9.2	7.8	6.4
kW	1.96	1.92	1.88	1.84	1.81	1.80	1.76	1.72	1.70	1.66	1.62	1.60	1.58	1.54	1.50	1.46	1.42	1.38
Amps	9.8	9.1	8.5	8.1	7.8	7.7	7.3	6.9	6.6	6.4	6.1	6.0	5.9	5.6	5.3	5.0	4.7	4.3
COP	4.28	4.14	3.98	3.80	3.68	3.60	3.42	3.23	2.78	2.63	2.48	2.38	2.32	2.13	1.94	1.74	1.53	1.29
HI PR	397	381	366	350	342	335	322	309	296	283	272	265	260	251	241	231	223	215
LO PR	140	129	121	111	105	101	93	83	75	67	59	55	53	44	38	32	28	22

GPH1630H41**

	OUTDOOR AMBIENT TEMPERATURE																	
	65	60	55	50	47	45	40	35	30	25	20	17	15	10	5	0	-5	-10
MBh	34.7	32.8	30.9	28.9	27.6	26.7	24.8	22.9	19.2	17.7	16.3	15.4	14.8	13.3	11.8	10.3	8.8	7.2
T/R	30.6	29.0	27.3	25.5	24.3	23.6	21.9	20.2	16.9	15.6	14.4	13.6	13.1	11.7	10.4	9.1	7.7	6.3
kW	2.37	2.32	2.27	2.22	2.19	2.17	2.13	2.08	2.03	1.98	1.94	1.91	1.89	1.84	1.79	1.74	1.69	1.64
Amps	11.7	10.9	10.2	9.7	9.3	9.2	8.7	8.3	7.9	7.6	7.3	7.1	7.0	6.7	6.3	6.0	5.6	5.1
COP	4.28	4.14	3.98	3.81	3.68	3.60	3.42	3.23	2.76	2.61	2.47	2.36	2.30	2.12	1.93	1.73	1.52	1.28
HI PR	408	391	376	359	351	344	331	318	304	291	279	272	268	257	247	237	229	221
LO PR	132	123	115	105	100	96	88	78	71	63	56	52	50	42	36	31	27	21

GPH1636H41**

	OUTDOOR AMBIENT TEMPERATURE																	
	65	60	55	50	47	45	40	35	30	25	20	17	15	10	5	0	-5	-10
MBh	40.5	38.3	36.1	33.7	32.2	31.2	29.0	26.7	25.4	23.5	21.6	20.4	19.6	17.6	15.6	13.6	11.6	9.5
T/R	31.2	29.6	27.8	26.0	24.8	24.1	22.4	20.6	19.6	18.1	16.7	15.7	15.2	13.6	12.1	10.5	9.0	7.4
kW	2.84	2.78	2.73	2.67	2.64	2.61	2.56	2.50	2.52	2.46	2.40	2.37	2.35	2.29	2.23	2.18	2.12	2.06
Amps	14.1	13.1	12.3	11.7	11.3	11.1	10.5	10.1	9.7	9.3	8.9	8.7	8.6	8.2	7.8	7.4	6.9	6.3
COP	4.17	4.03	3.87	3.69	3.57	3.49	3.31	3.12	2.95	2.79	2.63	2.52	2.45	2.25	2.05	1.83	1.61	1.35
HI PR	391	375	360	344	336	330	317	304	291	278	267	261	256	246	237	227	219	211
LO PR	133	123	115	106	100	96	88	79	71	63	56	52	50	42	36	31	27	21

Above information is for nominal CFM and 70° indoor dry bulb. Instantaneous capacity listed. AMPS: Unit amps (comp.+ evaporator motor + condenser fan motor)
 High pressure is measured at the liquid line access fitting; low pressure is measured at the compressor suction access fitting. kW = Total system power

GPH1642H41**

	OUTDOOR AMBIENT TEMPERATURE																	
	65	60	55	50	47	45	40	35	30	25	20	17	15	10	5	0	-5	-10
MBh	47.3	44.7	42.1	39.4	37.6	36.4	33.8	31.2	26.9	24.8	22.9	21.6	20.8	18.7	16.5	14.4	12.3	10.1
T/R	33.7	31.9	30.0	28.0	26.8	26.0	24.1	22.2	19.2	17.7	16.3	15.4	14.8	13.3	11.8	10.3	8.8	7.2
kW	3.25	3.18	3.12	3.05	3.02	2.99	2.93	2.86	2.85	2.79	2.72	2.69	2.66	2.59	2.53	2.46	2.40	2.33
Amps	16.5	15.4	14.5	13.7	13.2	13.0	12.3	11.7	11.3	10.8	10.4	10.2	10.0	9.6	9.0	8.6	8.0	7.3
COP	4.26	4.11	3.95	3.77	3.65	3.57	3.38	3.19	2.76	2.61	2.46	2.35	2.29	2.11	1.92	1.71	1.50	1.27
HI PR	395	379	364	348	340	333	320	308	295	281	270	264	259	249	240	230	222	214
LO PR	131	122	114	105	99	95	88	78	70	63	55	51	49	42	36	30	27	21

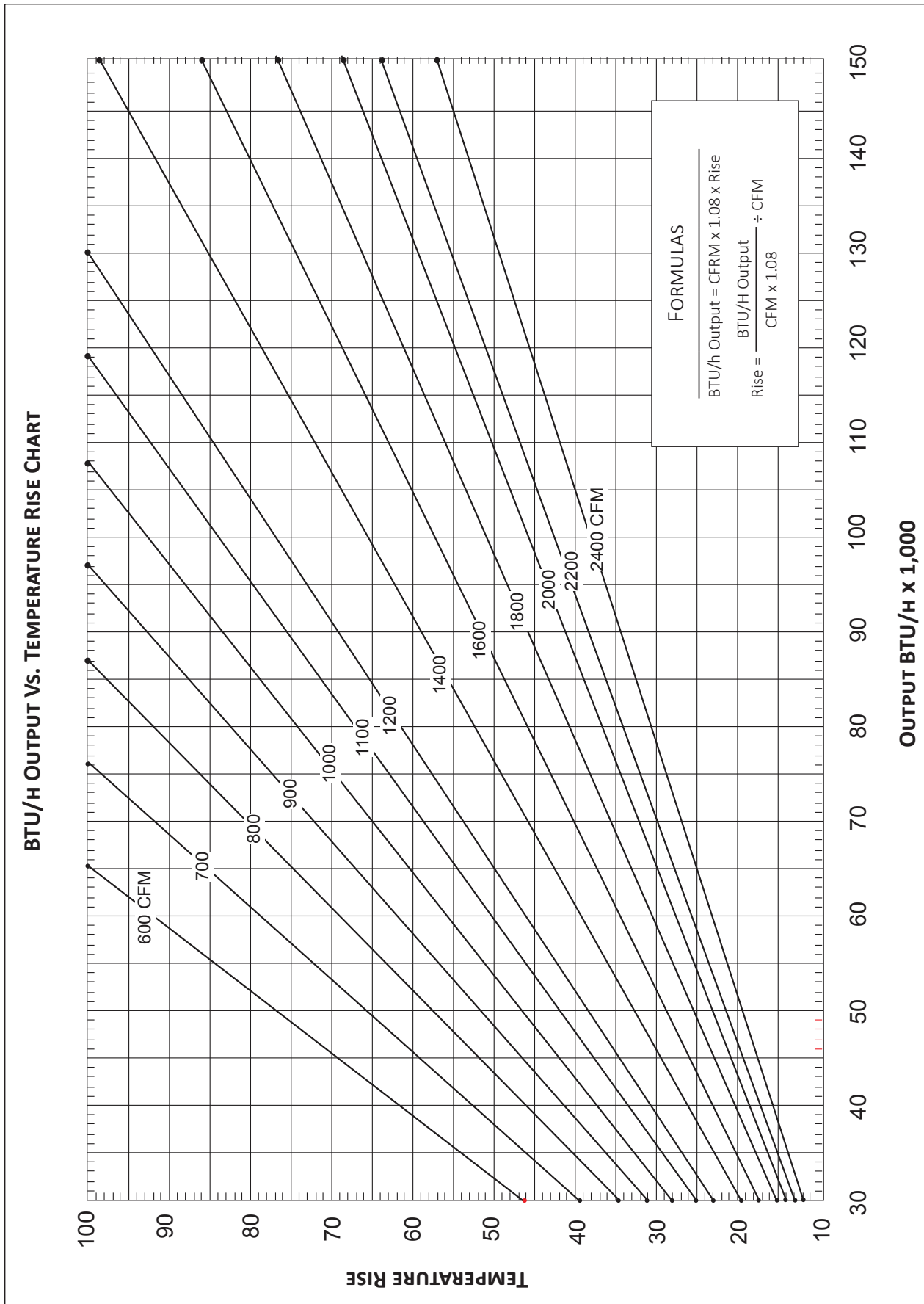
GPH1648H41**

	OUTDOOR AMBIENT TEMPERATURE																	
	65	60	55	50	47	45	40	35	30	25	20	17	15	10	5	0	-5	-10
MBh	55.3	52.4	49.3	46.1	44.0	42.6	39.6	36.5	32.4	29.9	27.5	26.0	25.0	22.5	19.9	17.4	14.8	12.1
T/R	32.0	30.3	28.5	26.7	25.5	24.7	22.9	21.1	18.7	17.3	15.9	15.0	14.5	13.0	11.5	10.1	8.6	7.0
kW	3.74	3.66	3.59	3.51	3.47	3.44	3.36	3.29	3.33	3.25	3.17	3.13	3.10	3.02	2.94	2.86	2.78	2.71
Amps	18.8	17.5	16.5	15.6	15.1	14.8	14.1	13.4	12.9	12.4	11.9	11.6	11.5	11.0	10.4	9.8	9.2	8.5
COP	4.33	4.18	4.02	3.84	3.71	3.63	3.45	3.25	2.85	2.69	2.54	2.43	2.37	2.18	1.98	1.77	1.56	1.31
HI PR	382	366	352	337	329	323	310	298	285	272	261	255	251	241	232	222	214	207
LO PR	132	122	114	105	99	95	88	78	70	63	55	51	50	42	36	31	27	21

GPH1660H41**

	OUTDOOR AMBIENT TEMPERATURE																	
	65	60	55	50	47	45	40	35	30	25	20	17	15	10	5	0	-5	-10
MBh	69.8	66.0	62.2	58.1	55.5	53.8	49.9	46.1	40.0	36.9	34.0	32.1	30.9	27.7	24.6	21.4	18.3	15.0
T/R	38.0	36.0	33.9	31.7	30.3	29.3	27.2	25.1	21.8	20.1	18.5	17.5	16.9	15.1	13.4	11.7	10.0	8.2
kW	4.76	4.66	4.56	4.47	4.41	4.37	4.27	4.17	4.15	4.05	3.95	3.89	3.85	3.75	3.65	3.55	3.45	3.35
Amps	25.7	24.0	22.6	21.4	20.7	20.3	19.3	18.5	17.8	17.1	16.4	16.0	15.9	15.2	14.3	13.6	12.8	11.7
COP	4.29	4.14	3.99	3.81	3.68	3.60	3.42	3.23	2.82	2.67	2.52	2.41	2.35	2.17	1.97	1.77	1.55	1.31
HI PR	404	388	373	356	348	341	328	315	302	288	277	270	265	255	245	235	227	219
LO PR	129	119	112	103	97	93	86	76	69	62	54	50	48	41	35	30	26	20

Above information is for nominal CFM and 70° indoor dry bulb. Instantaneous capacity listed. AMPS: Unit amps (comp.+ evaporator motor + condenser fan motor)
 High pressure is measured at the liquid line access fitting; low pressure is measured at the compressor suction access fitting. kW = Total system power



MODEL	SPEED*	VOLTS		E.S.P. (IN. OF H ₂ O)							
				0.10	0.20	0.30	0.40	0.50	0.60	0.70	0.80
GPH16 24H41**	T1	230	CFM	914	866	818	770	722	674	626	578
			Watts	69	80	91	102	114	125	136	147
	T2, T3	230	CFM	914	866	818	770	722	674	626	578
GPH16 30H41**	T1	230	CFM	1,005	961	918	874	831	787	744	700
			Watts	91	102	114	125	137	149	160	172
	T2, T3	230	CFM	1,110	1,067	1,023	980	936	893	849	806
GPH16 36H41**	T1	230	CFM	1,151	1,097	1,042	988	933	879	824	770
			Watts	132	144	156	169	181	194	206	219
	T2, T3	230	CFM	1,261	1,215	1,169	1,123	1,076	1,030	984	937
GPH16 42H41**	T1	230	CFM	1,165	1,122	1,080	1,037	995	953	910	868
			Watts	118	130	142	154	166	178	190	202
	T2, T3	230	CFM	1,365	1,322	1,280	1,237	1,195	1,153	1,110	1,068
GPH16 48H41**	T1	230	CFM	1,130	1,080	1,020	968	993	887	826	762
			Watts	125	139	150	161	175	186	190	207
	T2, T3	230	CFM	1,712	1,655	1,587	1,541	1,486	1,444	1,393	1,340
GPH16 60H41**	T1	230	CFM	1,451	1,375	1,321	1,286	1,233	1,191	1,108	1,083
			Watts	216	224	230	240	248	262	266	288
	T2, T3	230	CFM	1,913	1,834	1,762	1,698	1,670	1,619	1,567	1,531
GPH16 60H41**	T1	230	CFM	2,049	1,948	1,914	1,851	1,811	1,770	1,738	1,685
			Watts	506	522	528	548	544	548	556	568
	T4, T5	230	CFM	2,049	1,948	1,914	1,851	1,811	1,770	1,738	1,685
GPH16 60H41**	T1	230	CFM	2,049	1,948	1,914	1,851	1,811	1,770	1,738	1,685
			Watts	506	522	528	548	544	548	556	568
	T4, T5	230	CFM	2,049	1,948	1,914	1,851	1,811	1,770	1,738	1,685

* Speed set at T2 at factory.

HEAT KIT ELECTRICAL DATA (BLOWER ONLY, HEAT MODE)

MODEL AND HEAT KIT USAGE	CIRCUIT #1		CIRCUIT #2		SINGLE-POINT KIT		ACTUAL kW / BTU@ 240V
	MCA ¹	MOD ²	MCA ¹	MOD ²	MCA ¹	MOP ²	
GPH1624H41**	4.3	---	---	---	--	--	---
HKP-05C*	21 / 25	25 / 25	---	---	46	50	4.75 / 16,200
HKR-08C*	32 / 36	35 / 40	---	---	58	60	7 / 23,800
HKP-10C*	43 / 49	45 / 50	---	---	71	80	9.5 / 32,400
GPH1630H41**	4.3	---	---	---	--	--	---
HKP-05C*	21 / 25	25 / 25	---	---	48	50	4.75 / 16,200
HKR-08C*	32 / 36	35 / 40	---	---	60	60	7 / 23,800
HKP-10C*	43 / 49	45 / 50	---	---	73	80	9.5 / 32,400
HKP-15C*	43 / 49	45 / 50	21 / 25	25 / 25	97	100	14.25 / 48,600
GPH1636H41**	4.3	---	---	---	--	--	---
HKP-05C*	21 / 25	25 / 25	---	---	51	60	4.75 / 16,200
HKR-08C*	32 / 36	35 / 40	---	---	63	70	7 / 23,800
HKP-10C*	43 / 49	45 / 50	---	---	76	80	9.5 / 32,400
HKP-15C*	43 / 49	45 / 50	21 / 25	25 / 25	101	110	14.25 / 48,600
GPH1642H41**	6.8	---	---	---	--	--	---
HKP-05C*	21 / 25	25 / 25	---	---	53	60	4.75 / 16,200
HKR-08C*	32 / 36	35 / 40	---	---	65	70	7 / 23,800
HKP-10C*	43 / 49	45 / 50	---	---	78	80	9.5 / 32,400
HKP-15C*	43 / 49	45 / 50	21 / 25	25 / 25	102	110	14.25 / 48,600
HKP-20C	43 / 49	45 / 50	43 / 49	45 / 50	127	150	19.0 / 64,800
GPH1648H41**	6.8	---	---	---	--	--	---
HKP-05C*	21 / 25	25 / 25	---	---	59	70	4.75 / 16,200
HKR-08C*	32 / 36	35 / 40	---	---	71	80	7 / 23,800
HKP-10C*	43 / 49	45 / 50	---	---	84	90	9.5 / 32,400
HKP-15C*	43 / 49	45 / 50	21 / 25	25 / 25	109	110	14.25 / 48,600
HKP-20C	43 / 49	45 / 50	43 / 49	45 / 50	134	150	19.0 / 64,800
GPH1660H41**	6.8	---	---	---	--	--	---
HKP-05C*	21 / 25	25 / 25	---	---	59	70	4.75 / 16,200
HKR-08C*	32 / 36	35 / 40	---	---	71	80	7 / 23,800
HKP-10C*	43 / 49	45 / 50	---	---	84	90	9.5 / 32,400
HKP-15C*	43 / 49	45 / 50	21 / 25	25 / 25	109	110	14.25 / 48,600
HKP-20C	43 / 49	45 / 50	43 / 49	45 / 50	134	150	19.0 / 64,800

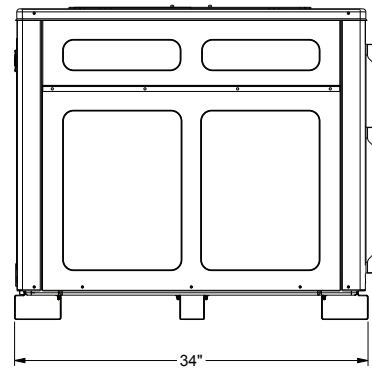
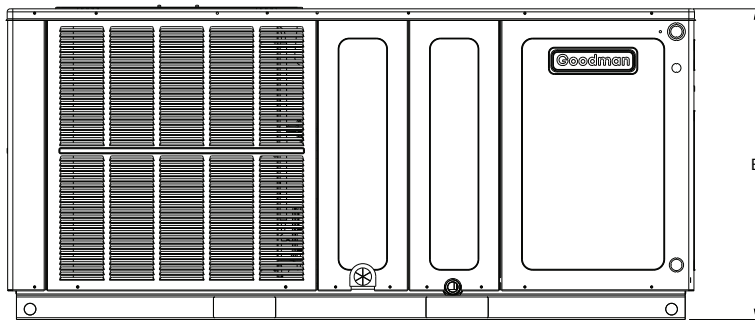
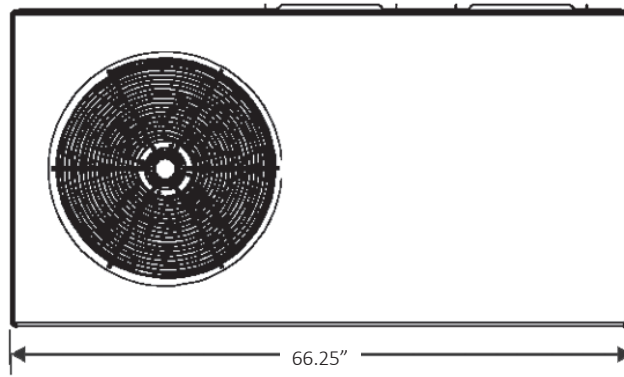
¹ Minimum Circuit Ampacity @ 208 / 240 V

² Maximum Overcurrent Protection Device @ 208 / 240 V

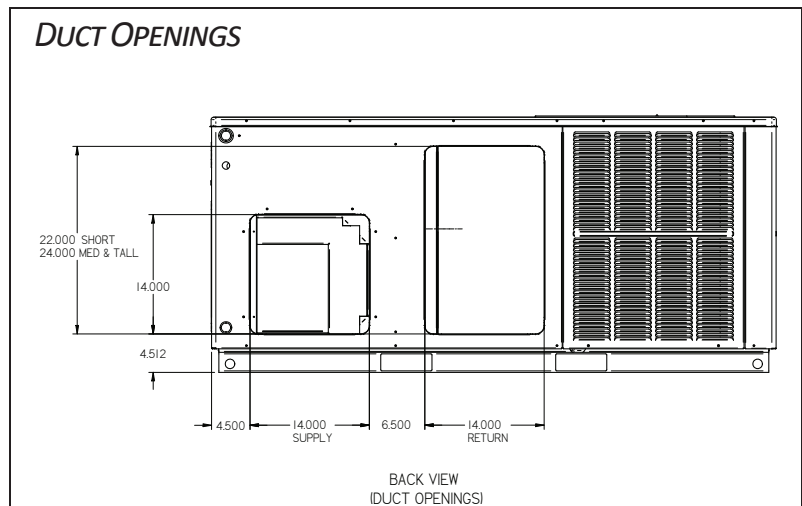
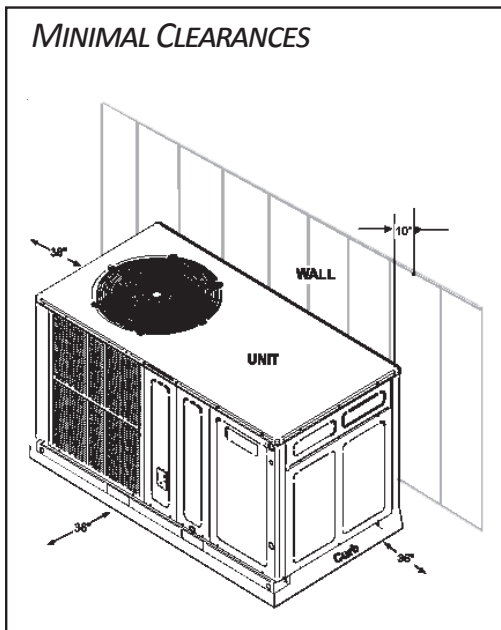
* Revision level that may or may not be designated

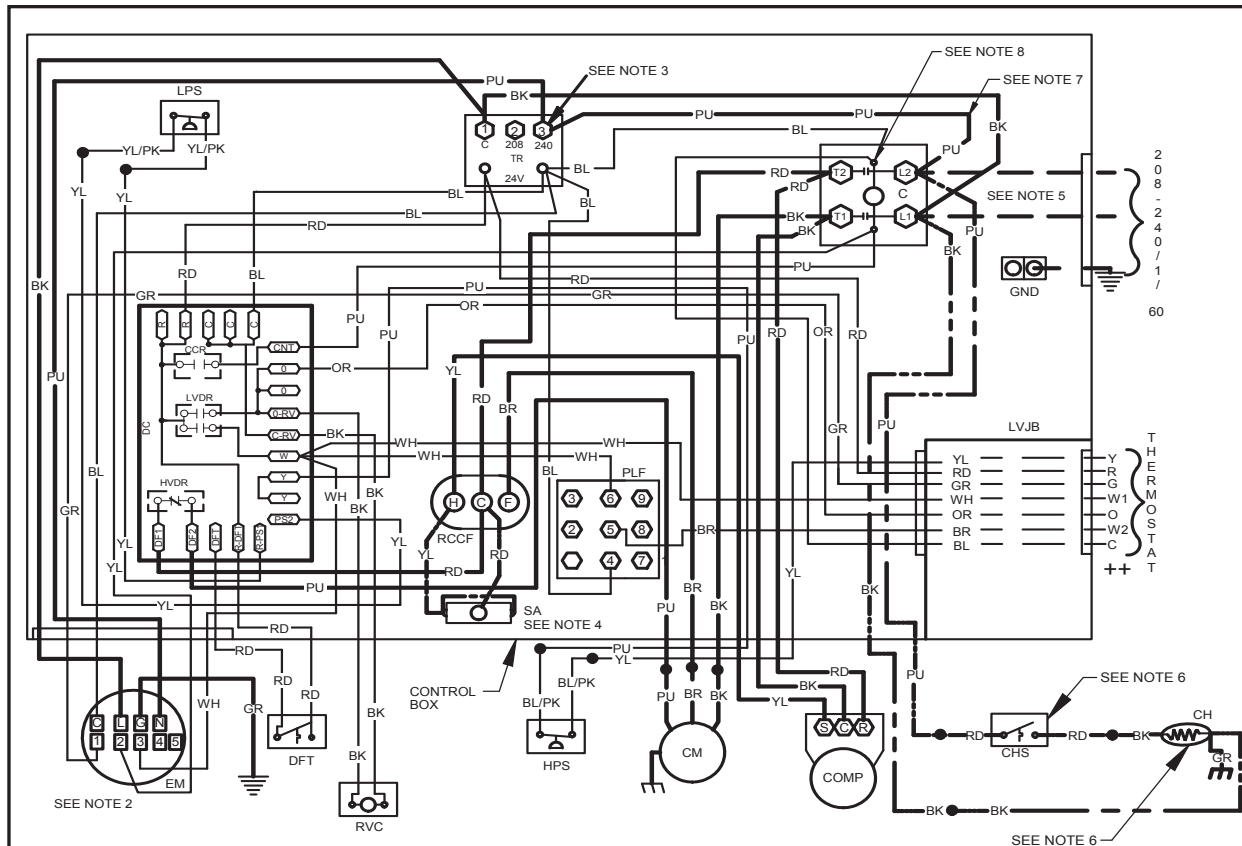
C Circuit breaker option

HKP-15C and HKP-20C replace HKR-15C and HKR-20C respectively to meet new UL1995 requirements.



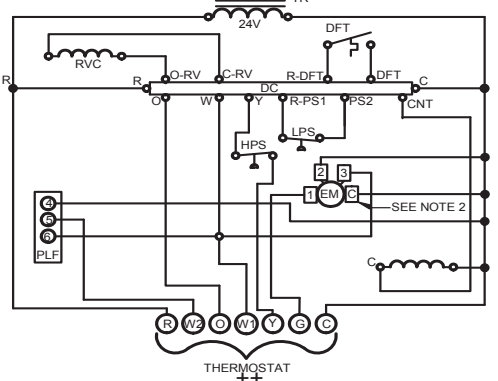
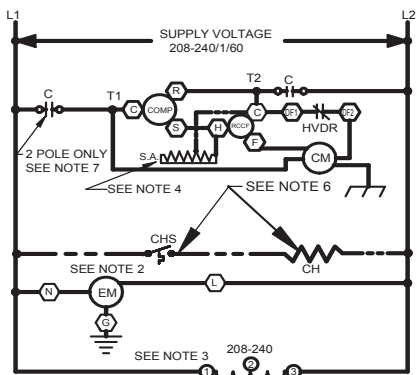
MODEL	DIMENSIONS			CHASSIS SIZE
	W"	D"	H"	
GPH1624H41**	66	34	30	Small
GPH1630H41**	66	34	30	Small
GPH1636H41**	66	34	35	Medium
GPH1642H41**	66	34	35	Medium
GPH1648H41**	66	34	35	Medium
GPH1660H41**	66	34	38¾	Large





High Voltage: Disconnect all power before servicing or installing this unit. Multiple power sources may be present. Failure to do so may cause property damage, personal injury, or death.

WARNING



COMPONENT LEGEND

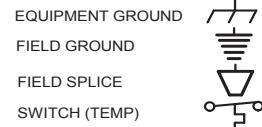
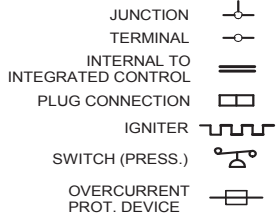
- C CONTACTOR
- CCR COMPRESSOR CONTACTOR RELAY
- CH CRACKCASE HEATER
- CHS CRACKCASE HEATER SWITCH
- CM CONDENSER MOTOR
- COMP COMPRESSOR
- DC DEFROST CONTROL
- DFT DEFROST THERMOSTAT
- EM EVAPORATOR MOTOR
- GND EQUIPMENT GROUND
- HVDR HIGH VOLTAGE DEFROST RELAY
- LPS LOW PRESSURE SWITCH
- LVDR LOW VOLTAGE DEFROST RELAY
- LVJB LOW VOLTAGE JUNCTION BOX
- PLF FEMALE PLUG / CONNECTOR
- RVC REVERSING VALVE COIL
- RCCF RUN CAPACITOR FOR COMPRESSOR AND FAN
- SA START ASSIST
- TR TRANSFORMER
- HPS HIGH PRESSURE SWITCH

FACTORY WIRING

- LINE VOLTAGE
 - LOW VOLTAGE
 - OPTIONAL HIGH VOLTAGE
- FIELD WIRING**
- HIGH VOLTAGE
 - - - LOW VOLTAGE

WIRE CODE

- BK BLACK
- BL BLUE
- BR BROWN
- GR GREEN
- OR ORANGE
- PU PURPLE
- RD RED
- WH WHITE
- YL YELLOW



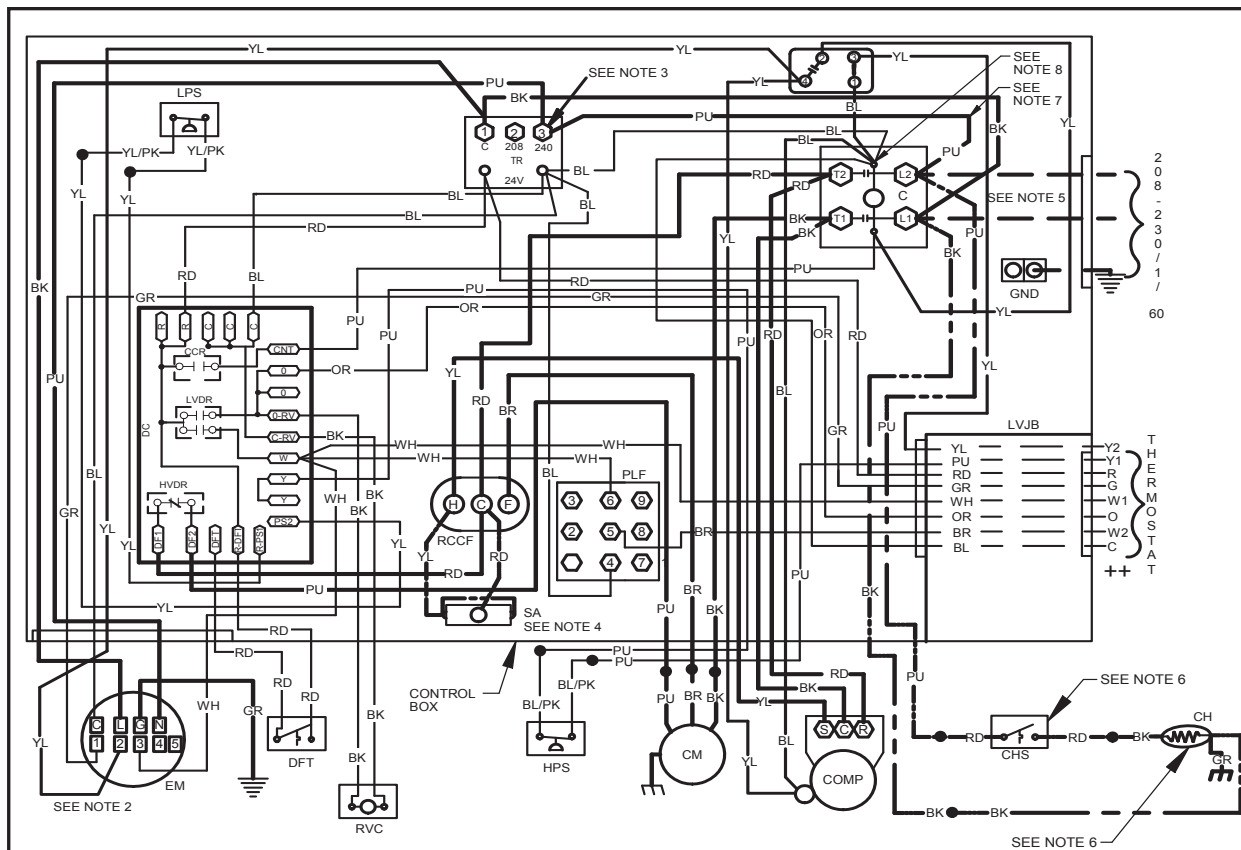
NOTES:

1. REPLACEMENT WIRE MUST BE SAME SIZE AND TYPE INSULATION AS ORIGINAL (AT LEAST 105°C) USE COPPER CONDUCTOR ONLY.
2. TO CHANGE EVAPORATOR MOTOR SPEED MOVE WHITE AND YELLOW LEADS FROM EM"2" AND "3" TO "4" AND "5". IF BOTH LEADS ARE ENERGIZED, THE HIGHER SPEED SETTING IS USED.
3. FOR 208 VOLT TRANSFORMER OPERATION MOVE PURPLE WIRES FROM TERMINAL 3 TO TERMINAL 2 ON TRANSFORMER.
4. START ASSIST FACTORY EQUIPPED WHEN REQUIRED
5. USE COPPER CONDUCTORS ONLY
- ++ USE N.E.C. CLASS 2 WIRE
6. CRANKCASE HEATER AND CRANKCASE HEATER SWITCH FACTORY EQUIPPED WHEN REQUIRED.
7. DOUBLE POLE CONTACTOR SHOWN. SINGLE POLE CONTACTOR COULD BE FACTORY EQUIPPED AS AN ALTERNATE CONFIGURATION.
8. COMMON SIDE OF CONTACTOR CAN NOT BE GROUNDED OR CONNECTED TO ANY OTHER COMMON (24V).

SEE UNIT RATING PLATE FOR TYPE AND SIZE OF OVER CURRENT PROTECTION



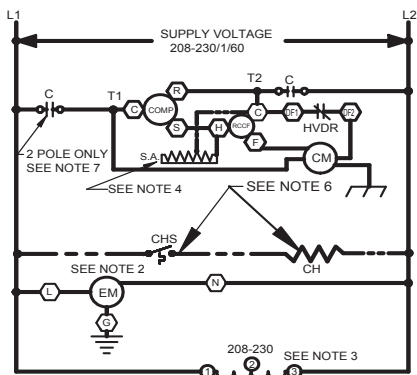
0140G01640-C



High Voltage: Disconnect all power before servicing or installing this unit. Multiple power sources may be present. Failure to do so may cause property damage, personal injury, or death.

WARNING

Wiring is subject to change. Always refer to the wiring diagram or the unit for the most up-to-date wiring.



COMPONENT LEGEND

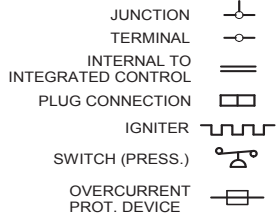
- C CONTACTOR
- CCR COMPRESSOR CONTACTOR RELAY
- CH CRANKCASE HEATER
- CHS CRANKCASE HEATER SWITCH
- CM CONDENSER MOTOR
- COMP COMPRESSOR
- DC DEFROST CONTROL
- DFT DEFROST THERMOSTAT
- EM EVAPORATOR MOTOR
- GND EQUIPMENT GROUND
- HVDR HIGH VOLTAGE DEFROST RELAY
- LPS LOW PRESSURE SWITCH
- LVDR LOW VOLTAGE DEFROST RELAY
- LVJB LOW VOLTAGE JUNCTION BOX
- PLF FEMALE PLUG / CONNECTOR
- RVC REVERSING VALVE COIL
- RCCF RUN CAPACITOR FOR COMPRESSOR AND FAN
- SA START ASSIST
- TR TRANSFORMER
- HPS HIGH PRESSURE SWITCH
- CSR COMPRESSOR SOLENOID RELAY
- SOL HI STAGE SOLENOID

FACTORY WIRING

- LINE VOLTAGE
 - LOW VOLTAGE
 - OPTIONAL HIGH VOLTAGE
- FIELD WIRING**
- HIGH VOLTAGE
 - - - LOW VOLTAGE

WIRE CODE

- BK BLACK
- BL BLUE
- BR BROWN
- GR GREEN
- OR ORANGE
- PU PURPLE
- RD RED
- WH WHITE
- YL YELLOW



NOTES:

1. REPLACEMENT WIRE MUST BE SAME SIZE AND TYPE INSULATION AS ORIGINAL (AT LEAST 105°C) USE COPPER CONDUCTOR ONLY.
2. TO CHANGE EVAPORATOR MOTOR SPEED MOVE YELLOW AND WHITE LEADS FROM EM*2 AND *3 TO *4 AND *5. IF BOTH LEADS ARE ENERGIZED, THE HIGHER SPEED SETTING IS USED.
3. FOR 208 VOLT TRANSFORMER OPERATION MOVE PURPLE WIRES FROM TERMINAL 3 TO TERMINAL 2 ON TRANSFORMER.
4. START ASSIST FACTORY EQUIPPED WHEN REQUIRED
5. USE COPPER CONDUCTORS ONLY
- ++ USE N.E.C. CLASS 2 WIRE
6. CRANKCASE HEATER AND CRANKCASE HEATER SWITCH FACTORY EQUIPPED WHEN REQUIRED.
7. DOUBLE POLE CONTACTOR SHOWN. SINGLE POLE CONTACTOR COULD BE FACTORY EQUIPPED AS AN ALTERNATE CONFIGURATION.
8. COMMON SIDE OF CONTACTOR CAN NOT BE GROUNDED OR CONNECTED TO ANY OTHER COMMON (24V).

SEE UNIT RATING PLATE FOR TYPE AND SIZE OF OVER CURRENT PROTECTION



0140G03658-A

ACCESSORY DESCRIPTION	ITEM NUMBER	
	SMALL CHASSIS	MEDIUM/LARGE CHASSIS
Downflow Economizer	PCE101	PCE102/103
Downflow Plenum Kit	PCP101	PCP102/103
Downflow Plenum Kit (R-8)	PCP101 R8	PCP102 R8 /103 RB
Elbow Flashing w/ R-8 Liner	PCEF101	PCEF102/103
Emergency Heat Relay	OT/EHR18-60	OT/EHR18-60
External Horizontal Filter Rack	GPGHFR101	GPGHFR102/103
Horizontal Economizer	DHZECNJP GCHM	DHZECNJP GCHL
Manual Damper	PCMD101	PCMD102/103
Horizontal Manual Damper	PCMDH101	PCMDH102/103
Motorized Damper	PCMDM101	PCMDM102/103
Outdoor Thermostat w/ Lockout Stat	OT18-60A	OT18-60A
Roof Curb	PCCP101	PCCP102/103
Square to Round	SQRPC101	SQRPC102/103
Square to Round for Horizontal Application	SQRPCH101	SQRPCH102/103

SINGLE-POINT KIT ACCESSORY KITS

Select the single-point kit accessory based on the unit model.

MODEL	SINGLE-POINT KIT
GPH1624H41**	SPK-30
GPH1630H41**	SPK-35
GPH1636H41**	SPK-40
GPH1642H41**	SPK-40
GPH1648H41**	SPK-50
GPH1660H41**	SPK-60