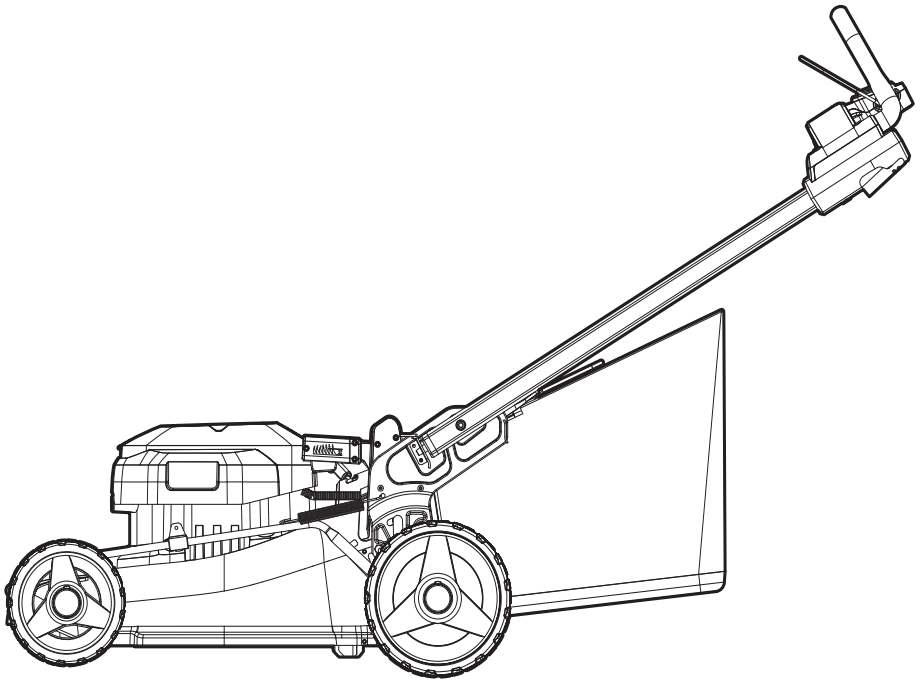


The logo consists of the letters 'CAT' in a bold, sans-serif font. The letter 'A' is stylized with a white triangle pointing upwards, creating a mountain-like shape. A registered trademark symbol (®) is located to the upper right of the 'A'.

60V

DG670 DG670.X



CORDLESS LAWN MOWER

EN

P02

TONDEUSE À GAZON SANS FIL

FR

P20

PODADORA INALÁMBRICA

ES


P35

TABLE OF CONTENTS

IMPORTANT SAFETY INSTRUCTIONS.....	3
SYMBOLS.....	7
SPECIFICATIONS.....	8
COMPONENT LIST.....	10
ASSEMBLY.....	16
OPERATION.....	16
MAINTENANCE.....	17
TROUBLESHOOTING.....	18


EN

PRODUCT SAFETY


 **WARNING:** Some dust created by power sanding, sawing, grinding, drilling and other construction activities contains chemicals known to the State of California to cause cancer, birth defects or other reproductive harm. Some examples of these chemicals are:


- Lead from lead-based paints;
- Crystalline silica from bricks and cement and other masonry products;
- Arsenic and chromium from chemically-treated lumber.


Your risk from these exposures varies, depending on how often you do this type of work. To reduce your exposure to these chemicals: work in a well ventilated area, and work with approved safety equipment, such as those dust masks that are specially designed to filter out microscopic particles.


 **WARNING:** This product can expose you to chemicals including lead and Di(2-ethylhexyl) phthalate (DEHP) which are known to the State of California to cause cancer and birth defects or other reproductive harm. For more information go to www.P65Warnings.ca.gov.

READ ALL INSTRUCTIONS

 **WARNING:** When using electric lawn mowers, basic safety precautions should always be followed to reduce the risk of fire, electric shock, and personal injury, including the following:

 **WARNING:** Risk of injury could occur if the lawn mower is operated without the catcher assembly attached.

 **WARNING:** The use of any other accessory or attachment might increase the risk of injury.

 **CAUTION:** For battery-operated lawn mowers, use only identical replacement batteries and specifying the battery type and manufacturer.

FOR ALL LAWN MOWERS

- 1) Avoid dangerous environment - Don't use lawn mowers in damp or wet locations.
- 2) Don't Use In Rain.
- 3)  Keep children away - All visitors should be kept a safe distance from work area.
- 4) Dress properly - Do not wear loose clothing or jewelry. They can be caught in moving parts. Use of rubber gloves and footwear is recommended when working outdoors.
- 5) Use safety glasses - Always use face or dust mask if operation is dusty.
- 6) Use the correct appliance - Do not use lawn mower for any job except that for which it is intended.

- 7) Don't Force Lawn Mower - It will do the job better and safer at the rate for which it was designed.
- 8) Don't overreach - Keep proper footing and balance at all times.
- 9) Stay alert - Watch what you are doing. Use common sense. Do not operate lawn mower when you are tired.
- 10) Store Idle Lawn Mower Indoors - When not in use, lawn mower should be stored in an indoor dry and locked-up place - out of reach of children.
- 11) Maintain lawn mower with care - Keep cutting edges sharp and clean for best and safest performance. Follow instructions for lubricating and changing accessories. Keep handles dry, clean, and free from oil and grease.
- 12) Keep guards in place and in working order.
- 13) Keep blades sharp.
- 14) Keep hands and feet away from cutting area.
- 15) Objects struck by the lawn mower blade can cause severe injuries to persons. The lawn mower should always be carefully examined and the lawn cleared of all objects prior to each mowing.
- 16) If lawn mower strikes a foreign object, follow these steps:
 - i) Stop lawn mower. Release the switch.
 - ii) Remove battery pack.
 - iii) Inspect for damage.
 - iv) Repair any damage before restarting and operating the lawn mower.
- 17) Use identical replacement blades only.

FOR ALL BATTERY – OPERATED GARDENING APPLIANCES:

1. Prevent unintentional starting. Ensure the switch is in the off-position before connecting to battery pack, picking up or carrying the appliance. Carrying the appliance with your finger on the switch or energizing appliance that have the switch on invites accidents.
2. Disconnect the battery pack from the appliance before making any adjustments, changing accessories, or storing appliance. Such preventive safety measures reduce the risk of starting the appliance accidentally.
3. Recharge only with the charger specified by the manufacturer .A charger that is suitable for one type of battery pack may create a risk of fire when used with another battery pack.
4. Use appliances only with specifically designated battery packs. Use of any other battery packs may create a risk of injury and fire.

5. When battery pack is not in use, keep it away from other metal objects, like paper clips, coins, keys, nails, screws or other small metal objects, that can make a connection from one terminal to another. Shorting the battery terminals together may cause burns or a fire.
6. Under abusive conditions, liquid may be ejected from the battery; avoid contact. If contact accidentally occurs, flush with water. If liquid contacts eyes, additionally seek medical help. Liquid ejected from the battery may cause irritation or burns.
7. Do not use a battery pack or appliance that is damaged or modified. Damaged or modified batteries may exhibit unpredictable behavior resulting in fire, explosion or risk of injury.
8. Do not expose a battery pack or appliance to fire or excessive temperature. Exposure to fire or temperature above 130°C (265°F) may cause explosion.
9. Follow all charging instructions and do not charge the battery pack or appliance outside of the temperature range specified in the instructions. Charging improperly or at temperatures outside of the specified range may damage the battery and increase the risk of fire.
10. Have servicing performed by a qualified repair person using only identical replacement parts. This will ensure that the safety of the product is maintained.
11. Do not modify or attempt to repair the appliance or the battery pack (as applicable) except as indicated in the instructions for use and care.
6. Do not operate machine barefooted or while wearing sandals. Always wear substantial footwear.
7. Do not pull machine backward unless absolutely necessary. Always look down and behind before and while moving backward.
8. Never direct discharged material toward anyone. Avoid discharging material against a wall or obstruction. Material may ricochet back toward the operator. Stop the blade when crossing gravel surfaces.
9. Do not operate machine without the entire grass catcher, discharge guard, rear guard, or other safety protective devices in place and working.
10. Never leave a running machine unattended.
11. Stop the motor and wait until the blade comes to a complete stop before cleaning the machine, removing grass catcher, or unclogging the discharge guard.
12. Operate machine only in daylight or good artificial light.
13. Do not operate machine while under the influence of alcohol or drugs.
14. Never operate mower in wet grass. Always be sure of your footing; walk; never run.
15. Disengage the drive system, if so equipped, before starting the motor.
16. If the machine should start to vibrate abnormally, stop the motor and check for the cause immediately. Vibration is generally a warning of trouble.
17. Always wear eye protection when operating machine.
18. See manufacturer's instructions for proper operation and installation of accessories. Only use accessories approved by the manufacturer.

SAFETY INSTRUCTIONS FOR WALK-BEHIND MOWERS

IMPORTANT


SAFE PRACTICES FOR WALK-BEHIND MOWERS

I. GENERAL OPERATION

1. Read, understand, and follow all instructions on the machine and in the manual(s) before starting.
2. Do not put hands or feet near or under the machine. Keep clear of the discharge opening at all times.
3. Only allow responsible adults, who are familiar with the instructions, to operate this machine.
4. Clear the area of objects such as rocks, wire, toys, etc., which could be thrown by the blade. Stay behind the handle when the motor is running.
5. Be sure the area is clear of bystanders before operating. Stop machine if anyone enters the area.

II. SLOPE OPERATION

Slopes are a major factor related to slip and fall accidents, which can result in severe injury. Operation on all slopes requires extra caution. If you feel uneasy on a slope, do not mow it.

1.  Mow across the face of slopes; never up and down. Exercise extreme caution when changing direction on slopes.
2. Watch for holes, ruts, bumps, rocks, or other hidden objects. Uneven terrain could cause a slip and fall accident. Tall grass can hide obstacles.
3. Do not mow on wet grass or excessively steep slopes. Poor footing could cause a slip and fall accident.
4. Do not mow near drop-offs, ditches, or embankments. You could lose your footing or balance.

III. CHILDREN

Tragic accidents can occur if the operator is not alert to the presence of children. Children are often attracted to the machine and the mowing activity. Never assume that children will remain where you last saw them.

1. Keep children out of the mowing area and under the watchful care of a responsible adult other than the operator.
2. Be alert and turn mower off if a child enters the area.
3. Never allow children to operate the machine.
4. Use extra care when approaching blind corners, shrubs, trees, or other objects that may block your view of a child.

IV. SERVICE

GENERAL SERVICE

1. Keep all nuts and bolts tight to be sure the equipment is in safe working condition.
2. Never tamper with safety devices. Check their proper operation regularly.
3. Keep machine free of grass, leaves, or other debris build-up.
4. If you strike a foreign object, stop and inspect the machine. Repair, if necessary, before starting.
5. Never make any adjustments or repairs with the motor running.
6. Always unplug electric mowers before adjusting, cleaning, or repairing.
7. Check grass catcher components and the discharge guard frequently and replace with manufacturer's recommended parts, when necessary.
8. Mower blades are sharp. Wrap the blade or wear gloves, and use extra caution when servicing them.
9. Maintain or replace safety and instruction labels, as necessary.

Safe operation practices for walk-behind mowers

1. Safety Instructions



1.1 Training

- a) Read the operating and service instruction manual carefully. Be thoroughly familiar with the controls and the proper use of the equipment.
- b) Never allow children to operate a power mower.
- c) Keep the area of operation clear of all persons, particularly small children, and pets.
- d) Do not use a mower for any job except that for which it is intended.


1.2 Preparation

- a) Thoroughly inspect the area where the equipment is to be used and remove all stones, sticks, wires, bones, and other foreign objects.
- b) Do not operate the equipment when barefoot or wearing sandals. Always wear substantial footwear.
- c) Disengage the self-propelled mechanism or drive clutch on units so equipped before starting the motor.
- d) Never attempt to make a wheel height adjustment while the motor is running.
- e) Mow only in daylight or in good artificial light.
- f) Never operate the equipment on wet grass. Always be sure of your footing. Keep a firm hold on the handle and walk, never run.

1.3 Operation

- a)  Do not put hands or feet near or under rotating parts. Keep clear of the **STOP** discharge opening at all times.
- b) Stop the blade(s) when crossing gravel drives, walks, or roads.
- c) After striking a foreign object, stop the motor, unplug, thoroughly inspect the mower for any damage, and repair the damage before restarting and operating the mower.
- d) If the equipment should start to vibrate abnormally, stop the motor and check immediately for the cause. Vibration is generally a warning of trouble.
- e) Stop the motor and unplug whenever you leave the equipment, before cleaning the mower housing, and before making any repairs or inspections.
- f) Shut the motor off and wait until the blade comes to a complete stop before removing the grass catcher or before unclogging the chute.
- g)  Mow across the face of slopes, never up and down. Exercise extreme caution when changing direction on slopes. Do not mow excessively steep slopes.
- h) Never operate the mower without proper guards, plates, or other safety protective devices in place.
- i) Do not wash with a hose, avoid getting water in motor and electrical connections.

1.4 Maintenance

- a)  Check the blade and the motor mounting bolts at frequent intervals for proper tightness.
- b) Keep all nuts, bolts, and screws tight to be sure

- the equipment is in safe working condition.
- c) Check bag frequently for deterioration and wear, and replace worn bags. Check that replacement bags comply with the original manufacturer's recommendations or specifications.
 - d) Replace the blade if it is bent or cracked. An unbalanced blade causes vibration that could damage the motor drive unit or cause personal injury.
 - e) Sharpen a dull blade equally at each end to maintain the balance.
 - f) Clear the blade thoroughly and check its balance by supporting it horizontally on a thin nail through its centre hole. The nail should also be in a horizontal position. If either end of the blade rotates downward, remove some metal from the heavy or lower end until the blade is balanced. It is balanced when neither end drops.

SAVE THESE INSTRUCTIONS

GENERAL SAFETY WARNINGS

WARNING: Read all safety warnings and instructions. Failure to follow the warnings and instructions may result in electric shock, fire and/or serious injury. Save all warnings and instructions for future reference.

SAFETY WARNINGS FOR BATTERY PACK

- a) Do not dismantle, open or shred battery pack.
- b) Do not expose battery pack to heat or fire. Avoid storage in direct sunlight.
- c) Do not short-circuit a battery pack. Do not store battery packs haphazardly in a box or drawer where they may short-circuit each other or be short-circuited by other metal objects. *When battery pack is not in use, keep it away from other metal objects, like paper clips, coins, keys, nails, screws or other small metal objects, that can make a connection from one terminal to another. Shorting the battery terminals together may cause burns or fire.*
- d) Do not subject battery pack to mechanical shock.
- e) In the event of battery leaking, do not allow the liquid to come in contact with the skin or eyes. If contact has been made, wash the affected area with copious amounts of water and seek medical advice.
- f) Do not use any battery pack which is not designed for use with the equipment.

- g) Keep battery pack out of the reach of children.
- h) Always purchase the battery pack recommended by the device manufacturer for the equipment.
- i) Keep battery pack clean and dry.
- j) Wipe the battery pack terminals with a clean dry cloth if they become dirty.
- k) Battery pack needs to be charged before use. Always use the correct charger and refer to the manufacturer's instructions or equipment manual for proper charging instructions.
- l) Do not leave battery pack on prolonged charge when not in use.
- m) After extended periods of storage, it may be necessary to charge and discharge the battery pack several times to obtain maximum performance.
- n) Recharge only with the charger specified by Cat®. Do not use any charger other than that specifically provided for use with the equipment.
- o) Retain the original product literature for future reference.
- p) Use only the battery pack in the application for which it was intended.
- q) Remove the battery pack from the equipment when not in use.
- r) Dispose of properly.
- s) Do not mix cells of different manufacture, capacity, size or type within a device.
- t) Keep the battery away from microwaves and high pressure.

SAVE THESE INSTRUCTIONS

SYMBOLS



CPSC Danger label.



Severing of toes or fingers-Rotary mower blade.



Thrown objects from mower deck.



Keep bystanders/children away.



Safety alert.



Slip on slope.



Read the operator's manual.



Look behind while backing



To reduce the risk of injury, user must read instruction manual



Batteries may enter water cycle if disposed improperly, which can be hazardous for ecosystem. Do not dispose of waste batteries as unsorted municipal waste.



Do not burn



Li-Ion battery, battery must be recycled



Wear protective gloves



Remove battery from the socket before carrying out any adjustment, servicing or maintenance.



Blade continues to rotate after the machine is switched off. Wait until all machine components have completely stopped before touching them




call2recycle

POSITEC Inc. has established a partnership with the RBRC Corporation to recycle any Positec batteries with the RBRC-call2recycle seal. For environmental protection, please do not discard batteries in the trash. After the batteries' life cycle is ended, then please call 1-800-822-8837 for a free service that will properly dispose of the battery.

EN

TECHNICAL DATA

Type Designation DG670 DG670.X (6- designation of machinery, representative of Cordless Lawn Mower)

	DG670 DG670.X *
Voltage	60V  Max **
No load speed	2800/min
Deck width	21" (53 cm)
Cutting width	20" (51cm)
Front wheel diameter	8" (200 mm)
Rear wheel diameter	10" (250 mm)
Cutting height	1-1/2" -4" (40 – 100 mm)
Cutting height positions	7
Grass collection capacity	2 Bushels (70 L)
Battery type	Lithium-ion
Machine Weight (bare tool)	62.2 lbs (28.2kg)

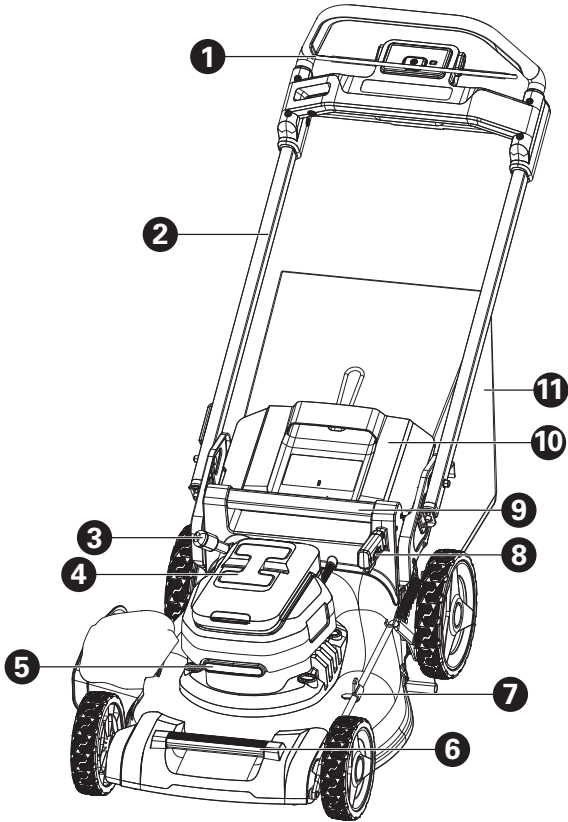
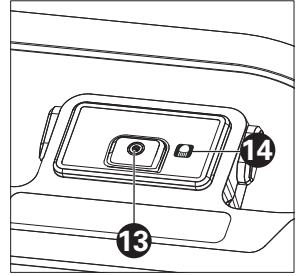
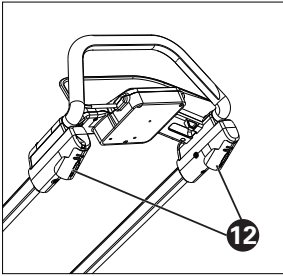
* X may be followed by one or two characters. All models are the same except model number and trademark. The suffix in models may be number from "1" to "999" or English letter "A" to "Z" or "M1" to "M9" which means different package or the various of accessories packed in the package.

** Voltage measured without workload. Initial battery voltage reaches maximum of 60 volts. Nominal voltage is 54 volts.

SUGGESTED BATTERIES AND CHARGERS

Category	Type	Capacity
60V Battery	DG6B2	2.0 Ah
	DG6B25	2.5 Ah
	DG6B4	4.0 Ah
	DG6B5	5.0 Ah
60V Charger	DG6C3	3.0 A
	DG6C5	5.0 A
	DG6C8	8.0 A

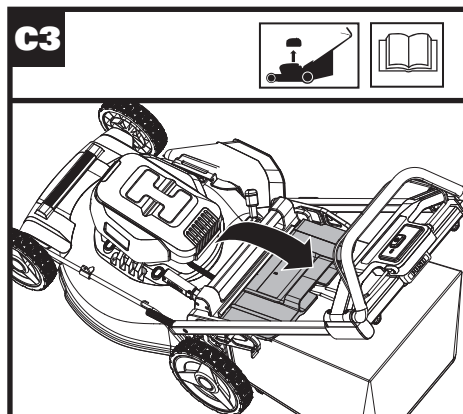
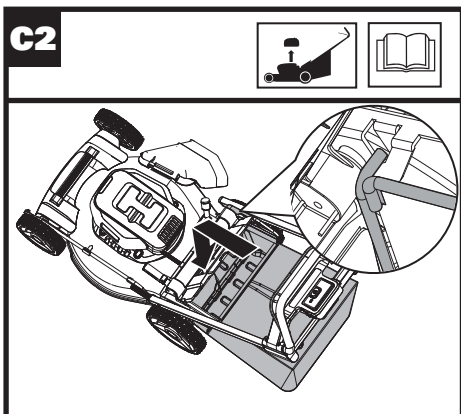
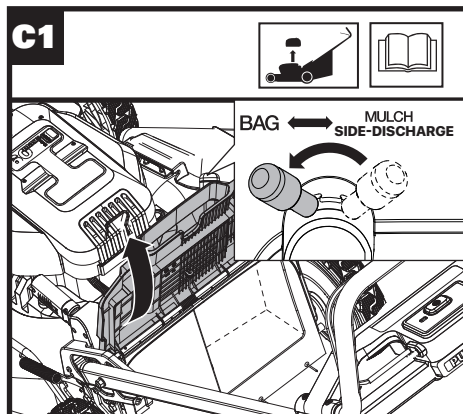
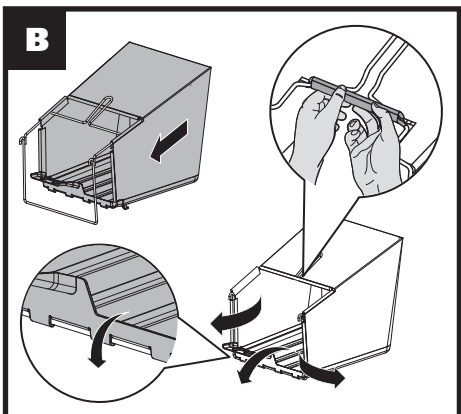
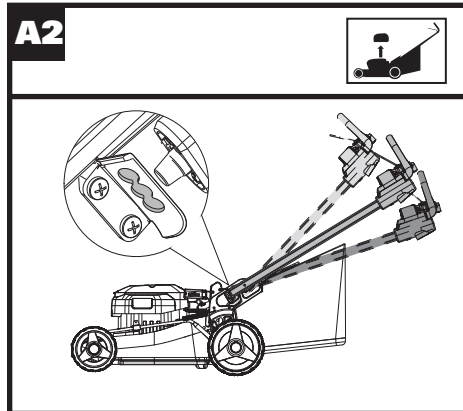
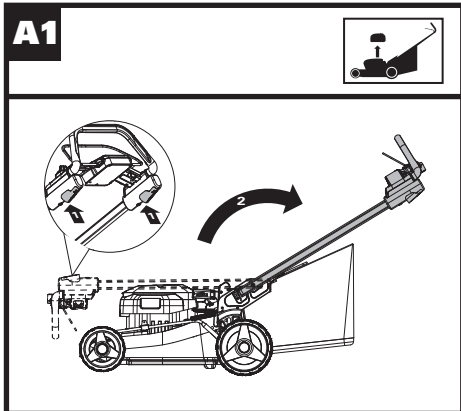
We recommend that you purchase your accessories from the same location that sold you the tool. Refer to the accessory packaging for further details. Personnel can assist you and offer advice.

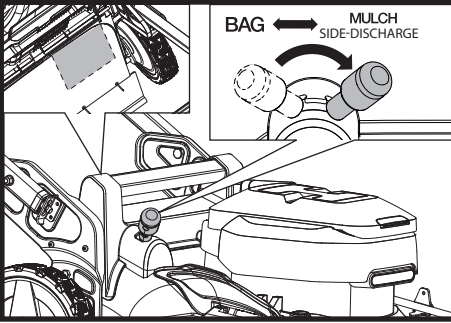
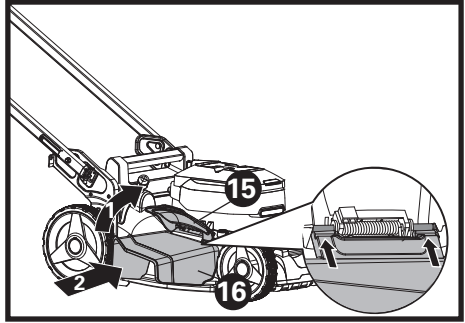
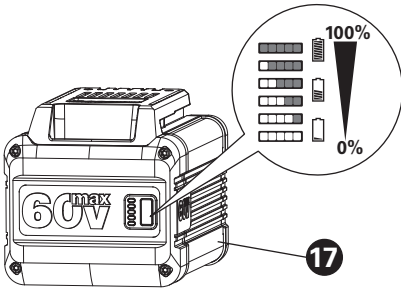
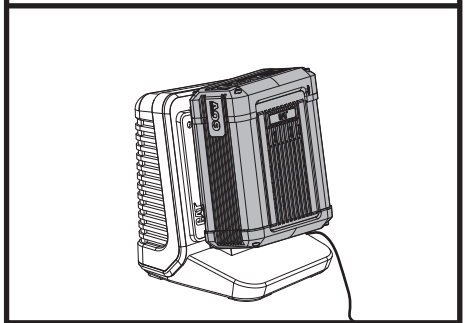
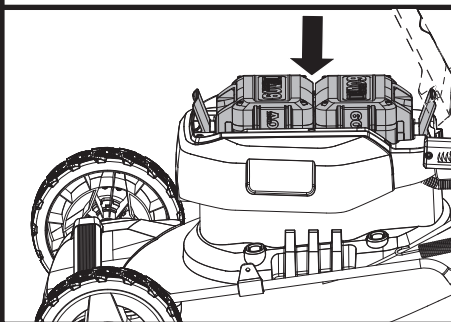
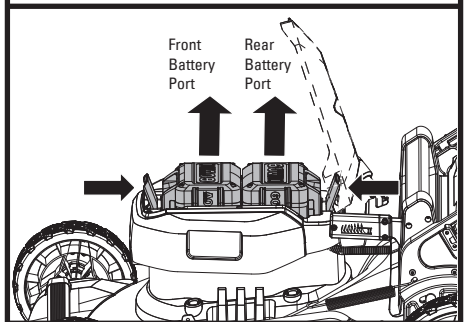


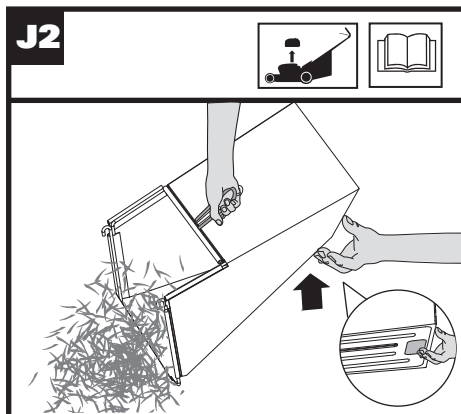
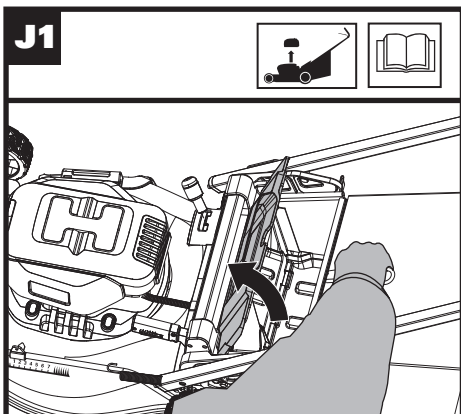
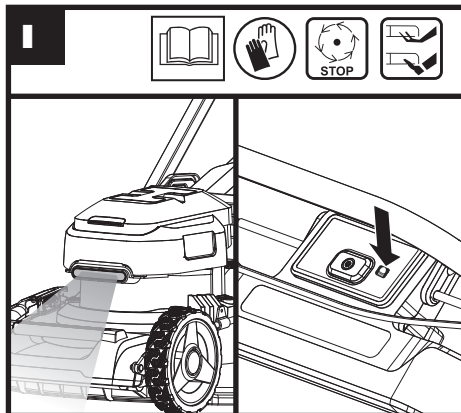
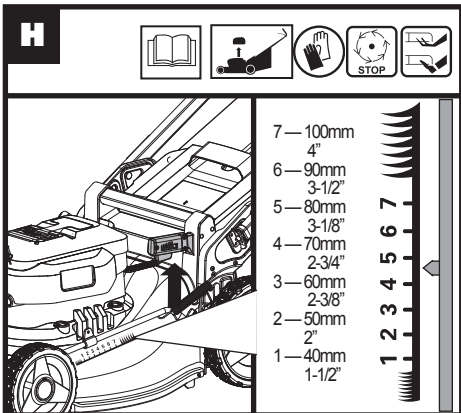
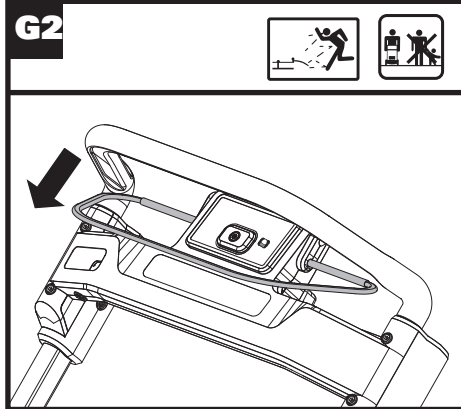
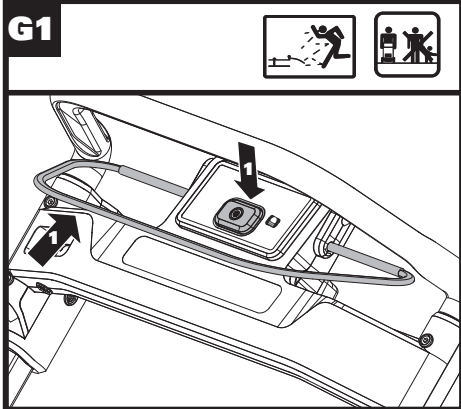
COMPONENT LIST

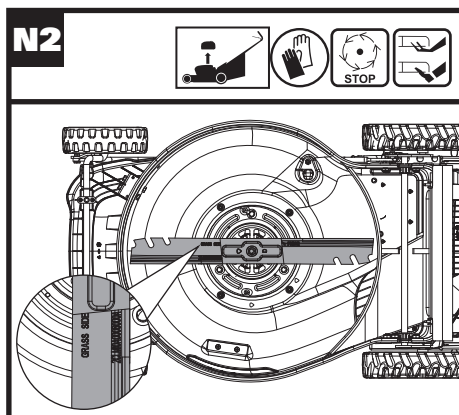
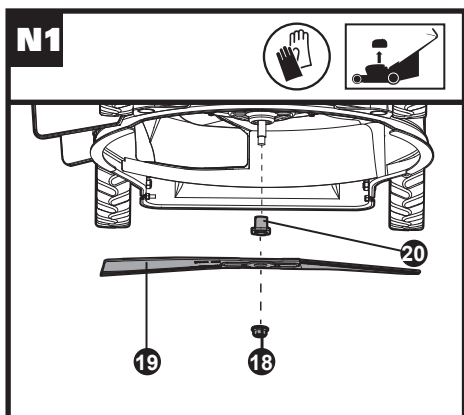
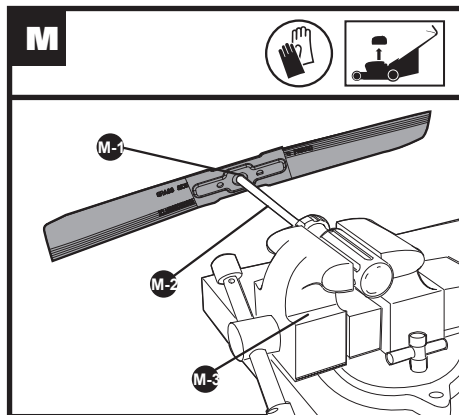
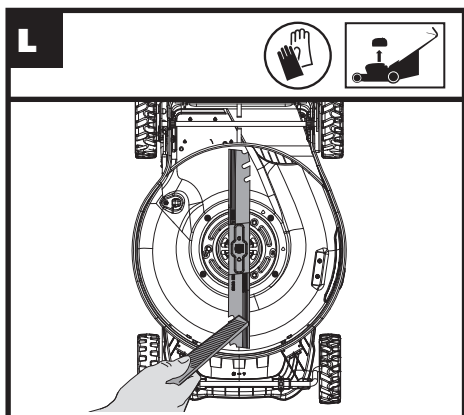
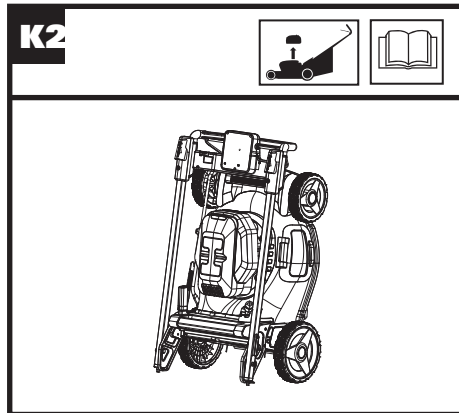
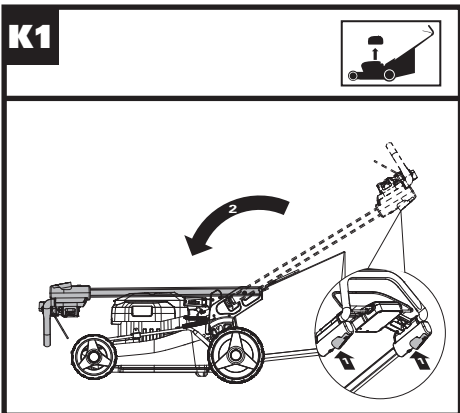
1. OPERATING BAIL (BLADE ENGAGEMENT)
2. HANDLE BAR
3. MULCHING / SIDE DISCHARGE -BAGGING SWITCH LEVER
4. BATTERY PACK COVER
5. LED HEADLIGHT
6. FRONT STORAGE / LIFT HANDLE
7. CUTTING HEIGHT ADJUSTMENT INDICATOR
8. CUTTING-HEIGHT ADJUSTMENT LEVER
9. REAR LIFT HANDLE
10. DISCHARGE SHIELD
11. GRASS COLLECTION BAG
12. FOLDING HANDLE QUICK RELEASE
13. SAFETY LOCK-OUT BUTTON
14. LED HEADLIGHT SWITCH
15. SIDE-DISCHARGE COVER (SEE FIG. D2)
16. SIDE DISCHARGE-CHUTE (SEE FIG. D2)
17. BATTERY PACK *** (SEE FIG. E1)
18. BLADE BOLT (SEE FIG. N1)
19. BLADE (SEE FIG. N1)
20. SPACER (SEE FIG. N1)

*** Not all the accessories illustrated or described are included in standard delivery.

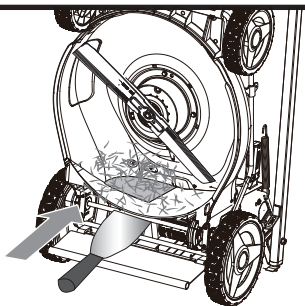


D1**D2****E1****E2****F1****F2**





1



OPERATING INSTRUCTIONS



NOTE: Before using the tool, read the instruction book carefully.

INTENDED USE

This product is intended for domestic lawn mowing.

BEFORE OPERATION:

Assembling the handle bar & Adjusting Handle's height (See Fig. A1, A2)

NOTE: Press and hold Quick-release button during operation.

Assembling the grass collection bag (See Fig. B)

Assembling the grass collection bag to the lawn mower (See Fig. C1, C2, C3)

NOTE: Depress the grass collection bag slightly to ensure that it is completely installed.

NOTE: Push the mulching-bag switch lever to open the mulching outlet before fitting the grass collection bag.

Assembling the side-discharge chute (See Fig. D1, D2)

Lift the Side-discharge cover to assemble the side-discharge chute.

NOTE: Remember to remove the grass collection bag firstly and then push the mulching-bag switch lever to close the mulching outlet before assembly.

Checking the battery charge condition(See Fig. E1)

NOTE: Fig. E1 only applies for the battery pack with battery indicator light.

The battery level can be determined by pressing the power indicator button beside the battery lights. Press the button before and after each use to check the battery

Remarks	LED-light	Battery condition
Five green lights are illuminated.		$70\% \leq \text{Power level} \leq 100\%$
Four green lights are illuminated.		$50\% \leq \text{Power level} < 69\%$
Three green lights are illuminated.		$35\% \leq \text{Power level} < 49\%$

Two green lights are illuminated.		$20\% \leq \text{Power level} < 34\%$
One green light are illuminated.		$10\% \leq \text{Power level} < 19\%$
No light is illuminated.		Power level < 10%

Charging the battery pack(See Fig. E2)

- Your battery pack is partly charged and needs to be fully charged before first use.
- More details can be found in charger's manual.

NOTE: Each battery must be fully charged before the first mow. Always fully charge the two batteries at same time.

Installing & removing the battery pack (See Fig. F1, F2)

NOTE: Depress the battery release button to release battery pack(s) from your tool. After recharging, insert the battery pack into tool's battery port until you hear a "click". A simple push and slight pressure will be sufficient.

NOTE: Front battery port is the position of powering while rear battery port is the position of storing spare battery pack.

OPERATION

Starting and Stopping (See Fig. G1, G2)

Press the Safety lock-out button, then the push Operating bail to start. Release the operating bail to stop.

NOTE: For starting, press both the Safety lock-out button and the Operating bail at the same time. Place the Mulch-Bag lever in the bag position after each use. (See Fig. C1)

MULCHING MOWING TIPS

While mulching, your new mower is designed to cut the grass clippings into small pieces and distribute them back into the lawn. Under normal conditions, the mulched grass will biodegrade quickly and deliver nutrients to the lawn. Please review the following recommendations for optimum mulching performance.

- 1) Avoid mowing when the grass is wet from rain or dew. Wet grass may form clumps which interfere

with the mulching action and reduce the runtime.

The best time to mow the grass is in the late afternoon when the grass is dry and the newly cut area will not be exposed to direct sunlight.

- 2) For the best mulching performance, set the cutting height to remove about one third of the grass blade length, ideally no more than 40mm at one time. If the lawn is overgrown, it may be necessary to increase the cutting height to reduce the pushing effort and prevent overloading the motor. For extremely heavy mulching, it is advisable to first cut at a high cut height setting, and then re-cut to the final cut height. Otherwise, make narrower cuts and mow slowly.
- 3) For the best performance, keep the mower housing free of built-up grass. From time to time turn off mower and wait for the blades to come to a complete stop. Remove the batteries and turn mower on its side. Using an object such as a stick, wipe out any accumulation of grass around the blade area. Be careful of the sharp edges of the blade. Ensure to clean the blade area often when cutting wet or new grass and every time after the machine is used.
- 4) Certain types of grass or grass conditions may require that an area be mulched a second time to fully disperse the grass throughout the lawn. If cutting a second time, it is advisable to cut perpendicular (across) the first cut pattern. **DO NOT CHANGE CUT PATTERN IN ANY WAY THAT WOULD CAUSE MOWING DOWN A HILL.**
- 5) Change your cutting pattern from week to week. This will help prevent matting and graining of the lawn.
- 6) Do not mow on a slope that has an angle of greater than 15°

CUTTING AREA

The cutting area can be affected by several factors, such as cutting height, lawn humidity, grass length and density. Besides, starting and stopping the mower too many times during operation will reduce the cutting area.

It is ideal for mowing 1/4 acre to 1/2 acre lot sizes.

TIPS:


- 1) It is recommended to mow your lawn more frequently, walk at normal pace, and not to start/stop the mower too often during operation.
- 2) For best performance, please ensure use fully charged battery pack(s) and always cut off 1/3 or less of the grass height.
- 3) Walk slowly when cutting long grass, so as to have more effective cutting and properly discharge the

clippings.

- 4) Avoid cutting wet grass, otherwise it will stick to the underside of the deck and the clippings cannot be collected or discharged properly.
- 5) A higher cutting height shall be applied to new or thick grass and it will extend the battery duration.

Adjusting the cutting height (See Fig. H)


Press and hold Cutting-height adjustment lever. Adjust the cutting height up and down.

 **WARNING!** Stop, release operating bail and wait until the motor stops before adjusting height. The blades continue to rotate after the machine is switched off, a rotating blade can cause injury. Do not touch rotating blades.

Opening the Led headlight (See Fig. I)

Press the switch button for Led headlight.

Removing/emptying grass collection bag (See Fig. J1, J2)

 **WARNING!** Always check the safety flap close the discharge outlet before using. Never lift the safety flap when the lawn mower is being used without fitted grass collection bag.

AFTER OPERATION:


STORAGE (See Fig. K1, K2)

Stop the mower and always remove the batteries. Clean the exterior of the machine thoroughly using a soft brush and cloth. Do not use water, solvents or polishes. Remove all grass and debris, especially from the ventilation slots.

Turn the machine on its side and clean the blade area. If grass cuttings are compacted in the blade area, remove with a wooden or plastic implement. Store the machine in a dry place. Do not place other objects on top of the machine.

To aid storage, Press and hold quick-release button and fold the handle bar.

MAINTENANCE

 **WARNING:** Stop the mower and remove the batteries before removing the grass collection bag.

NOTE: To ensure long and reliable service, perform the following maintenance procedures regularly. Check for obvious defects such as a loose, dislodged or a damaged blade, loose fittings, and worn or damaged components. Check that the covers and guards are

all undamaged and are correctly attached to mower. Carry out any necessary maintenance or repairs before operating mower. If the mower should happen to fail despite regular maintenance, please call our customer helpline for advice.

BLADE SHARPENING

KEEP BLADE SHARP FOR BEST MOWER PERFORMANCE. A DULL BLADE DOES NOT CUT GRASS CLEANLY OR MULCH PROPERLY.

WEAR PROPER EYE PROTECTION WHILE REMOVING, SHARPENING, AND INSTALLING BLADE.

Sharpening the blade twice during a mowing season is usually sufficient under normal circumstances. Sand causes the blade to dull quickly. If your lawn has sandy soil, more frequent sharpening may be required.

REPLACE BENT OR DAMAGED BLADE IMMEDIATELY.

WHEN SHARPENING THE BLADE (See Fig. L)

1. Make sure blade remains balanced.
2. Sharpen blade at the original cutting angle.
3. Sharpen cutting edges on both ends of blade to keep it balanced, removing equal amounts of material from both ends.

NOTE:

1. Be sure the mower is turned off and remove the batteries.
2. Place the mower in stand up storage mode.

BLADE BALANCING (See Fig. M)

Check balance of blade by placing center hole in blade M-1 over a screwdriver shank M-2, clamped horizontally in a vise M-3. If either end of the blade rotates downward, file that end. Blade is properly balanced when neither end drops.

BLADE MAINTENANCE (See Fig. N1, N2)

Replace your Mower Blade after 50 hours mowing or 2 years, whichever is the sooner-regardless of condition. Follow these procedures to remove and replace the Blade. You will need garden gloves (not provided) and a spanner wrench (not provided) to remove the Blade. Make sure batteries are not installed. Wedge a block of wood between the blade and the mower deck to prevent the blade from turning and unscrew the Blade Bolt counter-clockwise using a spanner wrench, and then remove the Blade.

To re-assemble, position the Blade with the cutting edges towards the ground. Then securely tighten the Blade Bolt.

FOR BATTERY TOOLS

The ambient temperature range for the use and storage of tool and battery is 32°F-113°F (0°C-45°C). The recommended ambient temperature range for the charging system during charging is 32°F -104°F (0°C-40°C).

TROUBLESHOOTING

PROBLEM	SOLUTION
1. Mower doesn't run when Operating Bail is activated.	<p>A. Check to make sure that Safety lock-out button is being completely pushed.</p> <p>B. Release Operating Bail to turn mower off. Remove the batteries, turn mower over and check that blade is free to turn. If not free, return to an authorized servicer. Blade should turn freely.</p> <p>C. Has battery been fully charged? Plug in charger and wait for green light to come on. For starting, press both the Safety lock-out button and the Operating bail at the same time.(See Fig. G1)</p>
2. Motor stops while mowing.	<p>A. Release Operating Bail to turn mower off. Remove the batteries, turn mower over to check if mower is plugged with grass debris, remove debris from blade rotation area. Then, check that blade is free to turn. If not free, return to an authorized servicer. Blade should turn freely.</p> <p>B. Raise cutting height of wheels to highest position and start mower.</p> <p>C. Has battery been fully charged? Plug in charger and wait for green light to come on.</p> <p>D. Avoid overloading the mower. Slow down the cutting pace by pushing mower slower or raise the cut height. Or both.</p>

3. Mower runs but cutting performance is unsatisfactory, or does not cut entire lawn.	A. Has battery been fully charged? Plug in charger and wait for green light to come on.” B. Release Operating Bail to turn mower off. Remove the batteries. Turn mower over and check: Blade for sharpness - Keep blade sharp. Deck and discharge chute for clogging. C. Wheel height adjustment may be set too low for grass condition. Raise cutting height.
4. Mower is too hard to push.	A. Raise cutting height to reduce deck drag on grass. Check each wheel for free rotation.
5. Mower is abnormally noisy and vibrates.	A. Release Operating Bail to turn mower off. Remove the batteries. Turn mower on side and check blade to ensure it has not been bent or damaged. If blade is damaged, replace with a replacement blade. If the underside of the deck is damaged return mower to an Authorized service center. B. If there is no visible damage to the blade and the mower still vibrates: Release Operating Bail to turn mower off, remove the batteries, and remove blade. Rotate blade 180 degrees and retighten. If mower still vibrates, return the mower to an authorized service center.
6. Battery charger LED's not on.	A. Check plug connection. B. Replace charger.
7. Battery charger LED does not flip to green.	A. Battery needs to be diagnosed. Take to authorized service center.

8. Mower not picking up clippings with the Grass Collection Bag.	A. Place Mulching / Side Discharge -Bagging Switch Lever into the bagging position (chute no blocked by plate). B. Chute clogged. Release Operating Bail to turn mower off. Remove the batteries. Clear chute of grass clippings. C. Too much cut grass. Raise cutting height of wheels to shorten length of the cut. D. Bag full. Empty bag more often.
9. When mulching there are clippings visible.	A. Too much cut grass. Raise cutting height of wheels to shorten length of the cut. Do not cut off more than 1/3 of total length. B. Check blade for sharpness. Always keep blade sharp. C. Reduce speed if grass is high or extremely thick.
10. Low or diminished run-time after many uses.	A. Return to Authorized Service location - may need new battery.
11. The battery charger LED flashes red and the battery can't be charged.	A. The battery overheats after continuous use. Remove battery from the charger and allow it to cool to 42°C or less.
12. If the Mulching-Bag Lever will not move.	A. Remove battery packs. B. Place the mower in the upright storage position. C. Clean grass off of the mulching plate.(See Fig. 0) D. After cleaning grass from mulch plate and mulch plate groove, the edges of the mulch plate and the groove may be lubricated with a household aerosol lubricant such as WD-40 or PAM.

TABLE DES MATIÈRES

INSTRUCTIONS DE SÉCURITÉ IMPORTANTES	21
SYMBOLES.....	26
SPÉCIFICATIONS.....	27
LISTE DES COMPOSANTS.....	29
ASSEMBLAGE	30
OPÉRATION.....	30
ENTRETIEN	32
TABLEAU DE DÉPANNAGE.....	32

SÉCURITÉ DU PRODUIT



AVERTISSEMENT! Certaines des poussières produites en utilisant des outils électriques sont considérées par l'État de Californie comme susceptibles de provoquer le cancer, des anomalies congénitales et d'autres problèmes de reproduction. Voici des exemples de ces produits chimiques:

- plomb issu de peinture à base de plomb
- silice cristalline issue de briques et du ciment et autres produits de maçonnerie
- arsenic et chrome issus de bois traité chimiquement

Votre risque de ces expositions varie en fonction de la fréquence à laquelle vous effectuez ce travail. Pour réduire votre exposition à ces produits chimiques : travaillez dans une zone bien ventilée; portez un équipement de sécurité approuvé, tel que des masques antipoussières spécialement conçus pour éliminer les particules microscopiques par filtrage.



AVERTISSEMENT : Ce dispositif peut vous exposer aux produits chimiques notamment le plomb et le di-phthalate (de 2-éthylhexyle) (DEHP) qui sont reconnus dans l'État de Californie comme causant des cancers et des anomalies congénitales ou d'autres anomalies de la reproduction. Pour en savoir plus, veuillez consulter le site www.P65Warnings.ca.gov.

LISEZ ET LISEZ ET ASSIMILEZ TOUTES LES INSTRUCTIONS



AVERTISSEMENT! Lors de l'utilisation d'appareils électriques de jardinage, des précautions de base doivent être observées afin de réduire les risques de feu, choc électrique, et blessure grave, incluant ce qui suit :



AVERTISSEMENT! L'emploi de la tondeuse sans sac de ramassage peut provoquer des risques de blessure.



AVERTISSEMENT! L'emploi de tout autre accessoire ou dispositif est susceptible d'augmenter les risques de blessure.



AVERTISSEMENT! Pour les tondeuses à batterie, ne remplacez la batterie que par un modèle de remplacement identique, du même type et du même fabricant; installez également les accessoires fournis pour retenir les rallonges électriques, le cas échéant.

POUR TOUTES LES TONDEUSES À GAZON

1) Évitez les environnements dangereux.-N'utilisez pas les appareils dans des endroits très humides ou mouillés.

2) N'utilisez pas sous la pluie.

3)



Tenez les enfants éloignés.-Tous les visiteurs devraient être tenus éloignés de l'aire de travail.

- 4) Habillez-vous convenablement.-Ne portez pas des vêtements lâches ou des bijoux. Ils peuvent se prendre dans des pièces en mouvement. L'utilisation de gants de caoutchouc et chaussures épaisses est recommandée lors de travaux extérieurs. Portez une protection pour cheveux afin de contenir les cheveux longs.
- 5) Utilisez des lunettes de sécurité.-Toujours porter un masque de visage ou de poussière si l'opération est poussiéreuse.
- 6) Utilisez le bon appareil.-N'utilisez pas l'appareil pour tout autre travail que pour celui auquel il est destiné.
- 7) Ne forcez pas l'appareil.-Il va faire un meilleur travail et avec moins de risques de blessure en travaillant au taux de charge pour lequel il a été conçu.
- 8) N'essayez pas d'utiliser l'appareil hors de votre portée normale.-Gardez votre équilibre et les pieds bien ancrés en tout temps.
- 9) Restez alerte.-Faites attention à ce que vous faites. Utilisez le bon sens. N'utilisez pas l'appareil lorsque vous êtes fatigué.
- 10) Entrez les appareils à l'intérieur qui ne sont pas utilisés.-Lorsqu'inutilisés, les appareils devraient être entreposés à l'intérieur dans un endroit sec, élevé et gardé sous clef, hors de la portée des enfants.
- 11) Entretenez les appareils avec soins.-Gardez les arêtes de coupe aiguisées et propres pour une meilleure performance et des risques réduits de blessure. Suivez les instructions pour lubrifier et changer les accessoires. Gardez les poignées sèches, propres, et libres d'huile et de graisse.
- 12) Maintenez les gardes en place et en bon ordre de fonctionnement.
- 13) Gardez les lames aiguisées.
- 14) Gardez les mains et les pieds hors de l'aire de coupe. Les objets frappés par la lame de la tondeuse à gazon peuvent causer des blessures graves aux gens.
- 15) La pelouse devrait toujours être examinée avec soin et débarrassée de tous objets avant chaque tonte.
- 16) Si la tondeuse à gazon frappe un corps étranger, suivez ces étapes :
- Arrêtez la tondeuse à gazon. Relâchez le commutateur.
 - Retrait du bloc de batterie.
 - Inspectez pour dommages possibles.

- iv) Réparez tout dommage avant de redémarrer et d'opérer la tondeuse à gazon.
- 17) Utilisez seulement des lames identiques de remplacement.

CONSIGNES DE SECURITE POUR TOUS LES APPAREILS DE JARDINAGE FONCTIONNANT AVEC UNE BATTERIE

1. Pour éviter le démarrage non intentionnel, s'assurer que le bouton de démarrage est en position d'arrêt avant de brancher l'appareil au chargeur ou de le prendre ou de le transporter. Un accident pourrait arriver si vous vous promenez avec l'appareil avec le doigt sur l'interrupteur ou sur le dispositif de charge dont l'interrupteur est en position de charge.
2. Débranchez le bloc de batterie de l'appareil avant de faire des réglages, de remplacer des accessoires ou de ranger l'appareil. De telles mesures de sécurité réduisent les risques de démarrer l'appareil accidentellement.
3. Rechargez le bloc batterie uniquement avec le chargeur spécifié par Cat®. Un chargeur adapté à un type de batterie peut entraîner un risque d'incendie lorsqu'il est utilisé avec une autre batterie.
4. Utilisez les appareils uniquement avec les batteries spécifiquement indiquées. L'utilisation de toute autre batterie pourrait créer un risque de lésions et d'incendie.
5. Lorsque la batterie n'est pas utilisée, tenez-la à l'écart d'autres objets métalliques, tels que les trombones, les pièces de monnaie, les clés, les clous, les vis ou d'autres petits objets métalliques, qui peuvent établir la connexion d'une borne à l'autre. Court-circuiter les bornes de la batterie peut provoquer des brûlures ou un incendie.
6. Dans des conditions d'utilisation abusive, du liquide pourrait s'éjecter de la batterie; évitez tout contact. Si vous entrez accidentellement en contact avec le liquide, passez la partie du corps touchée sous le robinet. Si vos yeux entrent en contact avec le liquide, vous devez consulter immédiatement un médecin. Le liquide expulsé de la batterie peut causer des irritations ou des brûlures.
7. Ne pas utiliser une batterie ou un appareil qui est endommagé ou modifié. Les batteries endommagées ou modifiées peuvent présenter des comportements imprévisibles entraînant un incendie, une explosion ou le risque de blessures.
8. Ne pas exposer une batterie ou un appareil au feu ou à une température excessive. L'exposition au feu ou à une température au-dessus de 130°C pourrait causer une explosion.

9. Respecter toutes les consignes de charge et ne pas charger la batterie ou l'appareil en dehors de la plage de température indiquée dans les consignes. Mal charger ou à des températures en dehors de la plage indiquée peut endommager la batterie et accroître le risque d'incendie.
10. Faites faire le service par un technicien de réparation compétent qui ne doit utiliser que des pièces de rechange identiques. Ceci maintiendra la sécurité du produit.
11. Ne pas modifier ou essayer de réparer l'appareil ou la batterie (selon le cas) sauf comme indiqué dans les consignes d'utilisation et d'entretien.

INSTRUCTIONS DE SÉCURITÉ POUR LES TONDEUSES POUSSÉES

IMPORTANT

INSTRUCTIONS DE SÉCURITÉ POUR LES TONDEUSES POUSSÉES

I. FONCTIONNEMENT GÉNÉRAL


1. Lisez, comprenez et suivez toutes les instructions concernant la machine et contenues dans le(s) manuel(s) avant de démarrer.
2. Ne placez pas les mains ou les pieds à proximité de la machine ou en dessous. Restez à distance de l'ouverture d'éjection à tout instant.
3. N'autorisez que des adultes responsables qui sont familiers avec les instructions à opérer cette machine.
4. Dégagez la zone d'objets comme des pierres, des câbles ou des jouets, etc..., qui pourraient être propulsés par la lame. Restez derrière la poignée quand le moteur tourne.
5. Assurez-vous qu'il n'y a pas de spectateurs dans la zone avant l'opération. Arrêtez la machine si quelqu'un pénètre dans la zone.
6. N'opérez pas la machine pieds nus ou si vous portez des sandales. Portez toujours des chaussures robustes.
7. Ne tirez pas la machine en arrière, à moins que ce soit indispensable. Regardez toujours vers le bas et en arrière avant et pendant un déplacement en arrière.
8. Ne dirigez jamais les matériaux éjectés vers quelqu'un. Évitez d'éjecter des matériaux contre un mur ou un obstacle. Les matériaux peuvent ricocher sur l'opérateur. Arrêtez la lame lorsque vous traversez des surfaces de gravier.
9. N'opérez pas la machine sans le ramasse-herbe, la chicane de décharge, la protection arrière ou autres dispositifs de protection de sécurité complets en place et en fonctionnement.
10. Ne laissez jamais une machine fonctionner sans

surveillance.

11. Arrêtez le moteur et attendez que la lame s'arrête totalement avant de nettoyer la machine, de retirer le ramasse-herbe ou de dégager la chicane de décharge.
12. Opérez la machine à la lumière du jour ou sous un bon éclairage artificiel uniquement.
13. N'opérez pas la machine lorsque vous êtes sous l'influence d'alcool ou de médicaments.
14. N'opérez jamais la tondeuse dans de l'herbe humide. Soyez toujours sûr(e) de votre appui ; marchez, ne courez jamais.
15. Débrayez le système d'entraînement, s'il y a, avant de démarrer le moteur.
16. Si la machine se met à vibrer de manière anormale, arrêtez le moteur et vérifiez immédiatement la cause. Les vibrations indiquent généralement un problème.
17. Portez toujours une protection pour les yeux quand vous opérez la machine.
18. Consultez les instructions du fabricant pour installer et opérer les accessoires de manière appropriée. N'utilisez que les accessoires approuvés par le fabricant.

II. FONCTIONNEMENT DANS UNE PENTE

Les pentes constituent un facteur majeur d'accidents par glissage et par chute, ce qui peut entraîner des blessures graves. Opérer dans des pentes exige une prudence extrême. Si vous ne vous sentez pas à l'aise dans une pente, ne la tondez pas.

1.  Tondez la surface des pentes transversalement, jamais de haut en bas ou vice-versa. Soyez extrêmement vigilant(e) lorsque vous changez de sens dans des pentes.
2. Faites attention aux trous, ornières, bosses, pierres ou autres objets dissimulés. Un terrain inégal peut entraîner un accident par glissade et par chute. L'herbe haute peut dissimuler des obstacles.
3. Ne tondez pas de l'herbe humide ou dans des pentes excessivement raides. De mauvaises chaussures peuvent entraîner un accident par glissade et par chute.
4. Ne tondez pas à proximité de fossés, de rigoles ou de remblais. Vous pourriez perdre appui ou perdre l'équilibre.

III. ENFANTS

Des accidents graves peuvent survenir si l'opérateur n'est pas alerté de la présence d'enfants. Les enfants sont souvent attirés par la machine et par l'activité de tonte. Ne supposez jamais que des enfants resteront au dernier endroit où vous les avez vus.

1. Gardez les enfants à distance de la zone de tonte et sous la surveillance d'un adulte responsable autre que l'opérateur.
2. Soyez alerté(e) et éteignez la tondeuse si un enfant pénètre dans la zone.
3. Ne laissez jamais les enfants opérer la machine.
4. Soyez extrêmement prudent(e) lorsque vous vous approchez de tournants sans visibilité, d'arbustes, d'arbres ou autres objets qui pourraient vous empêcher de voir la présence d'un enfant.

IV. ENTRETIEN

ENTRETIEN GÉNÉRAL

1. Gardez tous les écrous et les boulons serrés pour être certain(e) que l'état de marche de l'équipement est sécurisé.
2. N'altérez jamais des dispositifs de sécurité. Vérifiez régulièrement qu'ils fonctionnent correctement.
3. Ne laissez pas d'herbe, de feuilles ou autres débris s'accumuler dans la machine.
4. Si vous heurtez un objet étranger, arrêtez la machine et inspectez-la. Le cas échéant, effectuez une réparation avant de démarrer.
5. Ne procédez jamais à des réglages ou des réparations avec le moteur en fonctionnement.
6. Débranchez toujours les tondeuses électriques avant d'effectuer un réglage, un nettoyage ou une réparation.
7. Vérifiez fréquemment les composants du ramasse-herbe et la chicane de décharge et remplacez-les avec des pièces recommandées par le fabricant lorsque c'est nécessaire.
8. Les lames de la tondeuse sont très coupantes. Emballez-les ou portez des gants et soyez extrêmement prudent(e) lorsque vous effectuez une procédure d'entretien sur les lames.
9. Maintenez ou remplacez les étiquettes de sécurité et de consignes selon les besoins.

PRATIQUES SÉCURITAIRES POUR LES TONDEUSES POUSSÉES

1. CONSIGNES DE SÉCURITÉ

1.1 Entraînement



- a) Lisez attentivement le manuel d'instructions d'utilisation et d'entretien. Familiarisez-vous avec les commandes et l'utilisation adéquate de l'appareil.
- b) Ne laissez jamais un enfant utiliser une tondeuse à moteur.
- c) Tenez toutes les personnes, en particuliers les jeunes enfants, ainsi que les animaux, à distance de votre lieu de travail.
- d) N'utilisez une tondeuse que pour l'utilisation pour

laquelle elle a été conçue.

1.2 Préparation


- Inspectez attentivement la zone où vous passerez la tondeuse, et retirez les pierres, bâtons, câbles, os et autres objets.
- N'employez jamais la tondeuse pieds nus ou en ne portant que des sandales. Portez toujours une paire de souliers qui vous protègent suffisamment.
- Débrayez le système d'entraînement, s'il y a, avant de démarrer le moteur.
- Ne tentez jamais d'ajuster la hauteur des roues alors que le moteur tourne.
- Utilisez l'outil uniquement à la lumière du jour ou sous un éclairage artificiel approprié.
- N'opérez jamais la tondeuse dans de l'herbe humide. Assurez-vous toujours de vous tenir fermement sur vos pieds. Tenez fermement la poignée, et marchez ; ne courez jamais.

1.3 OPÉRATION

-  Ne mettez pas les mains ou les pieds près de ou sous les pièces rotatives de l'appareil. Ne restez jamais à proximité de la zone d'évacuation.
- Arrêtez la/les lame(s) lorsque vous traversez une allée, un chemin ou une route pleine de gravier.
- Après avoir heurté un objet, arrêtez le moteur, débranchez la prise électrique, inspectez soigneusement la tondeuse et assurez-vous qu'elle n'est pas endommagée, puis réparez les dommages, le cas échéant, avant de redémarrer et d'utiliser la tondeuse.
- Si l'appareil commence à vibrer de façon anormale, arrêtez le moteur et tentez immédiatement d'en déceler la cause. Les vibrations indiquent généralement qu'un problème existe.
- Arrêtez le moteur chaque fois que vous quittez l'appareil, et également avant de réparer ou d'inspecter l'appareil.
- Arrêtez le moteur et attendez que la lame s'arrête complètement avant de retirer l'herbe coincée dans le sac de ramassage ou avant de déboucher la chute d'évacuation.
-  Tondez en traversant les pentes dans le sens de la longueur, jamais de haut en bas ou de bas en haut. Soyez extrêmement prudent lorsque vous changez de direction dans une pente. Ne tondez pas sur des pentes trop abruptes.
- N'utilisez jamais la tondeuse si celle-ci n'est pas équipée des dispositifs de protection et des plaques correspondantes.


- Ne lavez pas l'appareil à l'aide d'un tuyau ; évitez que l'eau ne pénètre dans le moteur et au niveau des connexions électriques.

1.4 ENTRETIEN

-  Vérifiez de façon périodique que la lame soit bien serrée.
- Assurez-vous que tous les écrous, boulons et vis sont bien serrés afin que l'appareil fonctionne en toute sécurité.
- Vérifiez régulièrement le sac de ramassage de l'herbe et assurez-vous qu'il n'est pas endommagé ou usé. Remplacez-le le cas échéant. Vérifiez que le sac de remplacement est conforme aux recommandations ou aux spécifications du fabricant.
- Remplacez la lame si elle est courbée ou fendue. Une lame déséquilibrée fera vibrer le système d'entraînement du moteur ou pourra causer des blessures.
- Aiguisez les lames émoussées de manière égale à chaque extrémité pour en préserver l'équilibre.
- Nettoyez adéquatement la lame et vérifiez qu'elle est bien équilibrée en la posant à l'horizontale sur un clou placé dans son trou central. Le clou doit également être placé à l'horizontale. Si l'une des extrémités de la lame penche vers le bas, meulez un peu de métal du côté qui penche vers le bas, jusqu'à ce que la lame soit bien équilibrée. La lame est équilibrée lorsqu'aucune extrémité ne s'abaisse.

CONSERVEZ CES INSTRUCTIONS

CONSIGNES GÉNÉRALES DE SÉCURITÉ CONCERNANT LA BATTERIE

 **AVERTISSEMENT!** Lisez et assimilez toutes les instructions. Le non-respect des instructions ci-après peut entraîner un risque de choc électrique, d'incendie et/ou de blessures graves.

Conservez tous les avertissements et instructions pour pouvoir les consulter ultérieurement.

- Ne pas démonter, ouvrir ou déchiqueter le bloc batterie.
- Ne pas exposer le bloc batterie à la chaleur ou au feu. Évitez de ranger la batterie dans un endroit exposé à la lumière directe du soleil.
- Ne pas court-circuiter une batterie. Ne stockez pas les blocs batterie en vrac dans une boîte ou

un tiroir où ils peuvent se court-circuiter ou être court-circuités par d'autres objets métalliques.

Lorsque le bloc batterie n'est pas utilisé, conservez-le loin d'autres objets métalliques, tels que des trombones, des pièces de monnaie, des clés, des clous, des vis ou d'autres objets métalliques de petite taille, qui pourraient établir une connexion d'un terminal à l'autre. Le fait de créer un court-circuit entre les bornes de la batterie peut causer des brûlures ou des incendies.

- d) Ne pas soumettre la batterie à des chocs mécaniques.**
- e) En cas de fuite de la batterie, ne pas laisser le liquide entrer en contact avec la peau ou les yeux. Si un contact a été effectué, laver la zone touchée avec beaucoup d'eau et consulter un médecin.**
- f) Ne pas utiliser de batterie qui n'a pas été conçue pour être utilisée avec cet appareil.**
- g) Maintenez la batterie hors de portée des enfants.**
- h) Achetez toujours une batterie recommandée par le fabricant de l'appareil.**
- i) Conservez le bloc batterie propre et sec.**
- j) Essuyez les bornes de la batterie avec un chiffon propre et sec si elles deviennent sales.**
- k) La batterie doit être chargée avant son utilisation. Utilisez toujours le chargeur adapté et reportez-vous aux instructions du fabricant ou au manuel de l'équipement pour suivre les instructions concernant la procédure de charge.**
- l) Ne laissez pas le bloc batterie en charge prolongée lorsqu'il n'est pas utilisé.**
- m) Après de longues périodes de stockage, il peut être nécessaire de charger et de décharger la batterie plusieurs fois pour obtenir des performances optimales.**
- n) Rechargez le bloc batterie uniquement avec le chargeur spécifié par Cat®. N'utilisez pas un chargeur autre que celui spécifiquement conçu pour être utilisé avec l'équipement.**
- o) Conservez la documentation originale du produit pour référence ultérieure.**
- p) Utilisez uniquement la batterie dans l'application pour laquelle elle a été prévue.**
- q) Retirez la batterie de l'équipement lorsqu'il n'est pas utilisé.**
- r) Éliminez la batterie de façon adéquate.**
- s) Ne pas mélanger des cellules de fabricants, de capacités, de tailles ou de type différents dans un appareil.**
- t) N'exposez pas la batterie à des micro-ondes et de la haute pression.**

CONSERVEZ CES INSTRUCTIONS

SYMBOLES



Étiquettes de danger CPSC



Sectionnement d'orteils ou de doigts –
lame de tondeuse en rotation



Objets propulsés depuis la
plate-forme de la tondeuse



Tenez les enfants éloignés



Restez sur vos gardes



Pente glissante



Lisez le manuel



Regarder en arrière tout en reculant



Afin de réduire les risques de blessure,
l'utilisateur doit lire ce mode d'emploi.

Les batteries peuvent s'introduire dans le cycle de l'eau si elles sont éliminées de manière inappropriée, ce qui peut être dangereux pour l'écosystème. Ne pas éliminer les batteries usagées avec les déchets municipaux non triés.



Ne pas jeter au feu



Batterie Li-Ion, les batteries doivent être recyclées



Toujours porter des gants de protection



Retirez la prise de la prise murale avant d'effectuer n'importe quel travail de réglage, de réparation ou d'entretien



La lame continue de tourner une fois la machine arrêtée. Attendez que toutes les pièces de la tondeuse se soient arrêtées avant de les toucher




call2recycle®

POSITEC Inc. a formé un partenariat avec RBR C Corporation pour le recyclage des batteries Positec portant le sceau RBR C-call2recycle. Pour la protection de l'environnement, veillez à ne pas jeter les batteries aux poubelles. À la fin du cycle de vie de la batterie, appelez 1-800-822-8837 pour un service gratuit qui mettra la batterie au rebut selon les règles de l'art.

DONNÉES TECHNIQUES

Type DG670 DG670.X (6- Désignation des machines, modèle de Tondeuse à Gazon Sans Fil)

	DG670 DG670.X *
Tension	60V  Max **
Vitesse à vide	2800/min
Diamètre du châssis	53 cm (21")
Diamètre de coupe	51cm (20")
Diamètre des roues avant	8" (200 mm)
Diamètre des roues arrière	250 mm (10")
Hauteur de coupe	40 – 100 mm (1-1/2"-4")
Nombre de hauteurs de coupe	7
Capacité de cueillette de gazon	70 L (2 Bushels)
Type de batterie	Lones de litio
Poids (Outil nu)	28.2kg (62.2 lbs)

* X peut être suivi d'un ou deux caractères. Tous les modèles sont identiques, sauf le numéro de modèle et la marque. Le suffixe dans les modèles peut être un nombre allant de « 1 » à « 999 » ou une lettre anglaise « A » à « Z » ou « M1 » à « M9 » qui signifie la différence entre les paquets ou les accessoires emballés dans l'emballage.

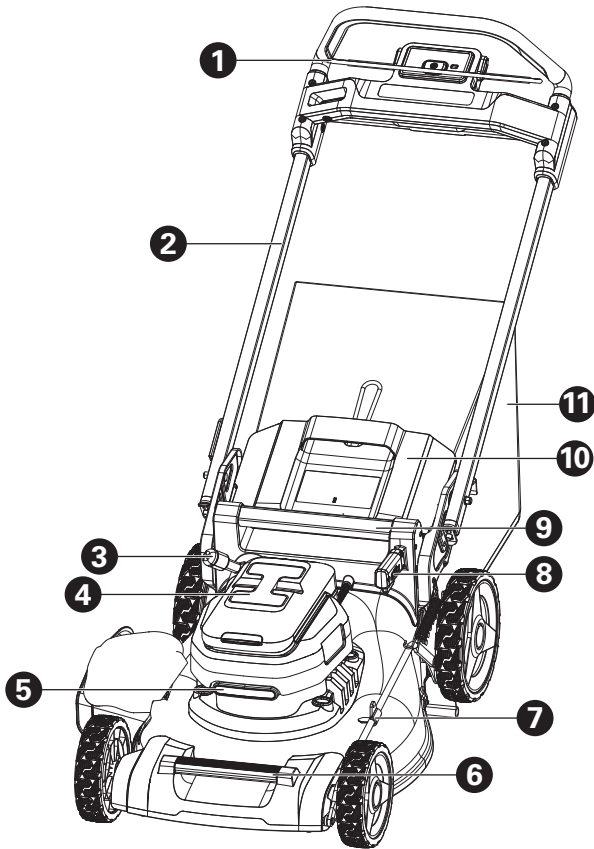
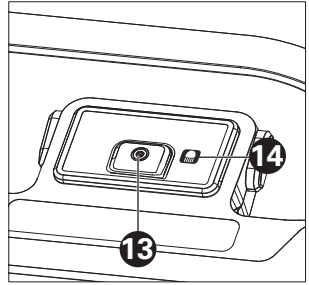
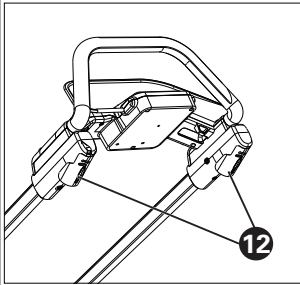
** Tension mesurée hors fonctionnement. La tension initiale de la batterie atteint le maximum de 60 volts. La tension nominale est de 54 V.

FR

BATTERIES ET CHARGEURS RECOMMANDÉS

Catégorie	Modèle	Capacité
60V Batterie	DG6B2	2.0 Ah
	DG6B25	2.5 Ah
	DG6B4	4.0 Ah
	DG6B5	5.0 Ah
60V Chargeur	DG6C3	3.0 A
	DG6C5	5.0 A
	DG6C8	8.0 A

Nous vous recommandons d'acheter tous vos accessoires du même magasin qui vous a vendu l'outil. Pour de plus amples renseignements, consultez l'emballage de l'accessoire. Le personnel du magasin peut également vous conseiller.



FR

LISTE DES ÉLÉMENTS

1. BARRE DE FONCTIONNEMENT (ENGAGEMENT DE LA LAME)
2. GUIDON
3. LEVIER DE COMMANDE D'EJECTION LATÉRALE / MULCHING - BAC DE COLLECTE
4. COUVERCLE DU BOITIER DE BATTERIE
5. FEU À LED
6. POIGNÉE DE LEVAGE / COLLECTE AVANT
7. POINTEUR DE RÉGLAGE DE LA HAUTEUR DE COUPE
8. RACCORD DE LAVAGE
9. POIGNÉE DE LEVAGE ARRIÈRE
10. BOUCLIER D'EJECTION
11. SAC À HERBE
12. POIGNÉE RABATTABLE À DÉVERROUILLAGE RAPIDE
13. BOUTON DE VERROUILLAGE DE SÉCURITÉ
14. BOUTON COMMUTATEUR DE FEU À LED
15. COUVERCLE D'ÉVACUTION LATÉRALE(VOIR FIG. D2)
16. CHUTE D'ÉVACUATION LATÉRALE (VOIR FIG. D2)
17. BLOC-PILES *** (VOIR FIG. E1)
18. BOULON DE LA LAME (VOIR FIG. N1)
19. LAME (VOIR FIG. N1)
20. ENTRETOISE (VOIR FIG. N1)

*** Les accessoires illustrés ou décrits ne sont pas tous compris dans le cadre de la livraison standard.

INSTRUCTIONS D'UTILISATION



REMARQUE: Avant d'utiliser cet outil, assurez-vous de lire attentivement le manuel d'utilisation.

UTILISATION PRÉVUE

Ce produit est destiné à la tonte domestique de pelouse.

ASSEMBLAGE:

Montage du guidon & Poignée d'ajustement de la hauteur (Voir Fig. A1, A2)

REMARQUE: maintenez enfoncé le bouton de déverrouillage rapide pendant le fonctionnement.

Montage du bac de ramassage (Voir Fig. B)

Montage du bac de ramassage sur la tondeuse à gazon (Voir Fig. C1, C2, C3)

REMARQUE: Enfoncez légèrement le bac de ramassage pour vous assurer qu'il est bien installé.

REMARQUE: Appuyez sur le levier commutateur de sac de mulching pour ouvrir la trappe de mulching avant d'installer le sac de collecte d'herbe.

Installation de la chute d'évacuation latérale (Voir Fig. D1, D2)

Soulevez la trappe de mulching pour assembler la goulotte de décharge latérale.

REMARQUE: N'oubliez pas de retirer d'abord le sac de collecte de l'herbe, puis d'appuyer sur le levier commutateur du sac de mulching pour fermer la trappe de mulching avant l'assemblage.

Vérification de l'état de charge de la batterie (Voir Fig. E1)

REMARQUE: Fig. E1 s'applique uniquement au bloc de batteries avec voyant indicateur de batterie.

Le niveau de la batterie peut être vérifié en appuyant sur le bouton indicateur d'alimentation à côté des voyants de la batterie. Appuyez sur le bouton avant et après chaque utilisation pour vérifier la batterie.

Remarques	Voyant LED	État de la batterie
Cinq voyants verts sont allumés.		70 % ≤ niveau de puissance ≤ 100 %

Quatre voyants verts sont allumés.		50 % ≤ Niveau de puissance < 69 %
Trois voyants verts sont allumés.		35 % ≤ Niveau de puissance < 49 %
Deux voyants verts sont allumés.		20 % ≤ Niveau de puissance < 34 %
Un voyant vert est allumé.		10 % ≤ Niveau de puissance < 19 %
Aucun voyant n'est allumé.		Niveau de puissance < 10 %

Recharge du bloc de batterie (Voir Fig. E2)

- Votre bloc de batterie est partiellement chargé et doit être complètement chargé avant la première utilisation.
- Plus de détails sont disponibles dans le manuel du chargeur.

REMARQUE: Chaque batterie doit être complètement chargée avant la première tonte. Toujours charger complètement les deux batteries.

Disposition/ retrait du bloc batterie (Voir Fig. F1, F2)

REMARQUE: Appuyez sur le bouton de déverrouillage de la batterie pour libérer la batterie de votre outil. Après la recharge, insérez la batterie dans le port de batterie de l'outil jusqu'à ce que vous entendiez un « clic ». Une simple poussée et une légère pression suffiront.

REMARQUE: L'orifice de batterie avantest la position d'alimentation tandis que l'orifice arrière de la batterie est la position de stockage du bloc-piles de rechange.

FONCTIONNEMENT

Démarrage & arrêt (Voir Fig. G1, G2)

Appuyez sur le bouton de verrouillage de sécurité, puis appuyez sur la barre d'engagement pour démarrer. Relâchez la barre pour arrêter.

REMARQUE: Pour le démarrage, appuyez en même temps sur le bouton de verrouillage de sécurité et sur la barre de fonctionnement. Assurez-vous que le

levier du sac de collecte est placé dans la position sac après la tonte. (Voir Fig. C1)

CONSEILS RELATIFS À LA DÉSINTÉGRATION DES BRINS D'HERBE

Lors de l'utilisation de la prise de paillage, la tondeuse coupe les brins d'herbe en petites pièces et les distribue sur la pelouse, utilisation des ailettes de paillage situées à l'intérieur du boîtier de la tondeuse.

Dans des conditions normales, l'herbe déchiquetée se décompose rapidement afin de nourrir la pelouse.

Prière de relire les recommandations suivantes afin d'optimiser le rendement du mode de déchiquetage.

- 1) Éviter de tondre l'herbe lorsqu'elle est mouillée par la pluie ou la rosée. Les brins d'herbe mouillés forment des touffes difficiles à déchiqueter et leur coupe réduit la durée de fonctionnement. Le meilleur moment pour tondre l'herbe consiste en la fin de l'après-midi alors que l'herbe est sèche et que la pelouse fraîchement tondue n'est pas exposée aux rayons directs du soleil.
- 2) Afin d'optimiser les résultats, régler la hauteur de coupe de la tondeuse de sorte que celle-ci ne coupe que le tiers de la hauteur des brins d'herbe. Lorsque l'herbe est haute, il peut être nécessaire d'augmenter la hauteur de coupe afin de réduire les efforts et de prévenir la surcharge du moteur. Lorsque le déchiquetage est intense, il est préférable de couper d'abord l'herbe à une hauteur élevée, puis de repasser à la hauteur voulue. Sinon, faire des coupes étroites et lentes.
- 3) Afin d'optimiser le rendement, nettoyer toute accumulation d'herbe du tablier de la tondeuse. De temps en temps, arrêter la tondeuse, retirez les batteries et attendre l'immobilisation complète de la lame. Retourner la tondeuse sur le côté. Utiliser un objet comme un bâton pour enlever les accumulations de brins d'herbe autour de la lame. Prendre soin de ne pas se blesser sur les arêtes tranchantes de la lame. La nettoyer souvent lorsque l'herbe est mouillée au printemps et toujours la nettoyer après chaque utilisation.
- 4) Selon le type d'herbe et les conditions prévalant, il peut être nécessaire de passer la déchiqueteuse une deuxième fois sur une surface afin de désintégrer complètement les brins d'herbe. Pour la deuxième passe, tondre dans le sens perpendiculaire à celui de la première passe. **NE PAS TONDRE DE FAÇON PERPENDICULAIRE LORSQUE CELA NÉCESSITE LA TONTE DE L'HERBE DE HAUT EN BAS D'UNE PENTE.**
- 5) Modifier le plan de coupe d'une semaine à l'autre. Cette mesure prévient la formation d'une couche

de brins d'herbe sur la pelouse.

- 6) Ne tondez pas sur un terrain en pente dont l'angle est supérieur à 15°.

ZONE DE COUPE

La capacité de coupe peut être affectée par plusieurs facteurs, tels que la hauteur de coupe, l'humidité de la pelouse, la longueur et la densité de l'herbe. Aussi, le démarrage et l'arrêt de la tondeuse trop de fois pendant le fonctionnement réduiront la capacité de coupe.


C'est idéal pour tondre des surfaces de terrain de 1/4 acre à 1/2 acre.

CONSEILS:

- 1) Il est recommandé de tondre votre pelouse plus fréquemment, de marcher à un rythme normal et de ne pas démarrer/arrêter la tondeuse trop souvent pendant la tonte.
- 2) Pour de meilleures performances, veillez à utiliser batteries complètement chargées en même temps et de toujours couper 1/3 ou moins de la hauteur de l'herbe.
- 3) Marchez lentement en tondant l'herbe haute, afin d'avoir une coupe plus efficace et déchargez correctement l'herbe tondue.
- 4) Évitez de tondre l'herbe humide, sinon elle collera à la face inférieure du plateau et l'herbe coupée ne pourra pas être collectée ou déchargée correctement.
- 5) Une hauteur plus élevée de coupe sera appliquée à l'herbe nouvelle ou épaisse et cela prolongera l'autonomie de batterie.

Réglage de la hauteur de coupe (Voir Fig. H)


Appuyez sur le levier de réglage de la hauteur de coupe et maintenez-le enfoncé. Réglez la hauteur de coupe de haut en bas.

 **AVERTISSEMENT!** Arrêtez, relâchez la barre de fonctionnement et attendez que le moteur s'arrête avant de régler la hauteur. La lame continue de tourner après l'arrêt du moteur. Elle peut donc encore provoquer des blessures. Ne touchez pas la lame lorsqu'elle tourne.

Activez l'éclairage à Led (Voir Fig.I)

Appuyez sur le bouton d'activation de l'éclairage à Led.

Retrait/vidage du bac (Voir Fig. J1, J2)

 **AVERTISSEMENT!** Vérifiez toujours que le volet de sécurité de la sortie de décharge est fermé avant d'utiliser. Ne soulevez jamais le volet de sécurité lorsque la tondeuse à gazon est utilisée sans le bac de collecte d'herbe.

APRÈS L'OPÉRATION:

ENTREPOSAGE (Voir Fig. K1, K2)

Arrêtez la machine et retirez toujours les piles. Nettoyez complètement l'extérieur de la machine en utilisant une brosse douce et un linge. N'utilisez pas d'eau, des solvants ou des polis. Enlevez tout le gazon et les débris, spécialement des fentes de ventilation. Tournez la machine sur le côté et nettoyez l'aire de la lame. Les coupures de gazon sont compactées dans l'aire de la lame, enlevez-les avec un bout de bois ou de plastic.

Entreposez la machine dans un endroit sec. Ne placez pas d'autres objets sur la machine.

Pour faciliter le rangement, maintenez enfoncé le bouton de déverrouillage rapide, puis pliez la poignée

ENTRETIEN



AVERTISSEMENT: Arrêtez la tondeuse et retirez les piles avant de retirer le bac de collecte d'herbe.

REMARQUE: Afin d'assurer un service à long terme et fiable, effectuez régulièrement la procédure d'entretien qui suit. Vérifiez pour des défauts évidents telles qu'une lame lousse, délogée ou endommagée, des pièces de fixation louses, et des composantes usées ou endommagées. Vérifiez que les couvercles et gardes sont tous sans dommages et correctement attachés à la tondeuse. Effectuez tout entretien ou réparation nécessaire avant d'opérer la tondeuse. Si la tondeuse en venait à défaillir en dépit d'un entretien régulier, s'il vous plaît appelez notre ligne d'aide pour des conseils.

AFFÛTAGE DE LA LAME

S'ASSURER QUE LA LAME EST TOUJOURS AFFÛTÉE AFIN D'OPTIMISER LE RENDEMENT DE LA TONDEUSE.

PORTER DES LUNETTES DE SÉCURITÉ LORSQU'ON RETIRE, INSTALLE OU AFFÛTE LA LAME. S'ASSURER QUE LES PILES SONT RETIRÉES.

Dans la plupart des cas, il suffit d'affûter la lame deux fois pendant la saison de coupe. Lorsque le sol est sablonneux, il est conseillé de l'affûter plus souvent puisque le sable émousse la lame.

REEMPLACER IMMÉDIATEMENT UNE LAME PLIÉE OU ENDOMMAGÉE.

LORS DE L'AFFÛTAGE DE LA LAME (Voir Fig. L)

1. S'assurer que la lame est toujours équilibrée.
2. Affûter dans l'angle original de coupe de la lame.
3. Affûter les arêtes tranchantes des deux extrémités de la lame en retirant une quantité égale de matériau aux deux extrémités.

REMARQUE:

1. Assurez-vous que la tondeuse est en arrêt et retirez les batteries.
2. Placez la tondeuse en mode de stockage horizontal.

ÉQUILIBRAGE DE LA LAME (Voir Fig. M)

Vérifier l'équilibrage de la lame en accrochant cette dernière par son trou central (M-1) sur un tournevis (M-2) retenu horizontalement dans un étau (M-3). Lorsqu'une extrémité de la lame s'abaisse, meuler ou limer cette extrémité. La lame est bien équilibrée lorsqu'aucun bout ne s'abaisse.

MAINTENANCE DE LA LAME (Voir Fig. N1, N2)

Aiguisez la lame après 50 heures d'utilisation ou tous les 2 ans, selon le premier des deux cas – et quelque soit l'état de la lame.

Veillez suivre ces procédures pour démonter et remonter la lame. Portez des gants de jardin (non fournis) et utilisez une tricoise (non fournie) pour démonter la lame. Assurez-vous que les piles ne sont pas installées. Coincez un bloc de bois entre la lame et le plateau de la tondeuse pour empêcher la lame de tourner et dévissez le boulon dans le sens inverse des aiguilles d'une montre à l'aide d'une tricoise, puis retirez la lame.

Pour remonter la lame, placez d'abord celle-ci avec les côtés coupants tournés vers le sol. Serrez complètement l'écrou de la lame.

POUR LES OUTILS DE LA BATTERIE

La plage de température ambiante pour l'utilisation et le stockage de l'outil et de la batterie est 0°C à 45°C (32°F-113°F).

La plage de température ambiante recommandée pour le système de charge pendant la charge est de 0°C à 40°C (32°F-104°F).

GUIDE DE DÉPANNAGE

PROBLÈME	SOLUTION
1. La tondeuse ne fonctionne pas lorsque la poignée de caution est activée	<p>A. Relâchez la poignée de caution pour éteindre la tondeuse. Retirez les batteries, retournez la tondeuse pour vérifier si la tondeuse est coincée par des herbes, retirez les herbes de la zone de rotation de la lame. Ensuite, vérifiez que la lame tourne librement. Retirez les batteries. En cas de blocage, retourner à un réparateur autorisé. La lame devrait tourner librement.</p> <p>B. Est-ce que la pile est à pleine charge? Brancher le chargeur et attendre que le voyant vert s'illumine.</p> <p>C. Pour le démarrage, appuyez en même temps sur le bouton de verrouillage de sécurité et sur la barre de fonctionnement. (Voir Fig. G1)</p>
2. Le moteur s'arrête en cours de coupe.	<p>A. Relâchez la poignée de caution pour éteindre la tondeuse. Retirez les batteries. Retourner la tondeuse et vérifier que la lame tourne librement. En cas de blocage, retourner à un réparateur autorisé. La lame devrait tourner librement.</p> <p>B. Relever la hauteur de coupe des roues à la position la plus élevée et commencer la tonte.</p> <p>C. Est-ce que la pile est à pleine charge? Brancher le chargeur et attendre que le voyant vert s'illumine.</p> <p>D. Éviter de surcharger la tondeuse. Ralentir la tonte en poussant moins vite la tondeuse, augmenter la hauteur de coupe ou les deux.</p>


3. La tondeuse fonctionne, mais le rendement est insatisfaisant ou la tondeuse ne coupe pas toute la pelouse.	<p>A. Est-ce que la pile est à pleine charge? Brancher le chargeur et attendre que le voyant vert s'illumine.</p> <p>B. Relâchez la poignée de caution pour éteindre la tondeuse. Retirez les batteries. Retourner la tondeuse et vérifier : Le tranchant de la lame. Maintenir la lame affûtée. La présence éventuelle d'un bourrage de la goulotte de vidange ou du châssis.</p> <p>C. Le réglage de la hauteur des roues pourrait être trop bas pour l'état de la pelouse. Augmenter la hauteur de coupe.</p>
4. Il est trop difficile de pousser la tondeuse.	A. Augmenter la hauteur de coupe pour réduire le frottement du châssis sur l'herbe. Vérifier que chaque roue tourne librement.
5. La tondeuse produit des sons anormaux et vibre.	<p>A. Relâchez la poignée de caution pour éteindre la tondeuse. Retirez les batteries. Placer la tondeuse sur le côté et vérifier que la lame n'est pas tordue ou endommagée. Si la lame est endommagée, la remplacer avec une lame de rechange. Si la face inférieure du châssis est endommagée, confier la réparation à un centre de réparations autorisé.</p> <p>B. Si aucun dommage visible à la lame n'est déterminé et que la tondeuse vibre toujours : Relâchez la poignée de caution pour éteindre la tondeuse. Retirez les batteries. Tourner la lame sur 180 degrés et la resserrer. Si la tondeuse vibre toujours, confier la réparation à un centre de réparations autorisé.</p>
6. Le voyant du chargeur de piles est éteint.	<p>A. Vérifier le branchement de la fiche.</p> <p>B. Remplacer le chargeur.</p>
7. Le voyant du chargeur de piles ne passe pas au vert.	A. La pile doit être diagnostiquée. La faire vérifier dans un centre de réparation autorisé.

<p>8. La tondeuse ne ramasse pas l'herbe coupée dans le sac.</p>	<p>A. Placez le levier de commande d'éjection latérale / mulching - bac de collecte dans la position de collecte (ouverture non bloquée par la plaque). B. La goulotte est encrassée. Relâchez la poignée de caution pour éteindre la tondeuse .Retirez les batteries.Vider la goulotte de l'herbe coupée. C. Trop d'herbe coupée. Relever la hauteur de coupe des roues pour en couper moins. D. Le sac est plein. Vider le sac plus souvent.</p>
<p>9. Au déchetage, l'herbe coupée est visible.</p>	<p>A. Trop d'herbe coupée. Relever la hauteur de coupe des roues pour en couper moins. Ne pas couper plus du tiers de la longueur totale. B. Vérifier le tranchant de la lame. Toujours maintenir la lame affûtée. C. Réduisez la vitesse si l'herbe est haute ou extrêmement épaisse.</p>
<p>10. Durée de fonctionnement courte ou réduite après de nombreuses utilisations.</p>	<p>A. Retourner à un centre de réparation agréé; une batterie neuve peut être requise.</p>
<p>11. Le témoin lumineux DEL du chargeur de batterie clignote en rouge et la batterie ne peut pas être chargée.</p>	<p>A. La batterie surchauffe après une utilisation continue. Retirez la batterie du chargeur et laissez-la refroidir à une température de 42°C ou moins.</p>
<p>12. Si le levier du sac de collecte ne bouge pas.</p>	<p>A. Retirez les batteries. B. Placer la tondeuse en position de rangement verticale. C. Nettoyez l'herbe de la plaque d'éjection de mulching. (Voir Fig. 0) D. Après avoir nettoyé l'herbe de la plaque de mulching et de la rainure de la plaque de mulching, les bords de la plaque de mulching et de la rainure peuvent être lubrifiés avec un lubrifiant aérosol domestique tel que WD-40 ou PAM.</p>

TABLA DE CONTENIDO

INSTRUCCIONES IMPORTANTES DE SEGURIDAD.....	36
SÍMBOLOS.....	41
ESPECIFICACIONES.....	42
LISTA DE COMPONENTES.....	44
ENSAMBLE.....	45
FUNCIONAMIENTO.....	46
MANTENIMIENTO	47
SOLUCIÓN DE PROBLEMAS.....	47


SEGURIDAD DEL PRODUCTO

 **ADVERTENCIA!** Este producto podría contener plomo, ftalato y otros químicos identificados por el Estado de California como causantes de cáncer, defectos congénitos y otras lesiones reproductivas.


Lave sus manos después de cada uso.


- El plomo de las pinturas a base de plomo.
- La sílice cristalina de los ladrillos, del cemento y de otros productos de albañilería.
- El arsénico y el cromo de la madera tratada químicamente.


El riesgo que se corre a causa del contacto con esos productos varía según la frecuencia con que usted realice este tipo de trabajos. Con el fin de reducir su exposición a esas sustancias químicas: trabaje en un área bien ventilada; utilice un equipo de seguridad adecuado, tal como una máscara contra el polvo especialmente diseñada para filtrar partículas microscópicas.


 **ADVERTENCIA:** Este producto puede exponerlo a sustancias químicas, como plomo y di (2-etilhexilo) ftalato (DEHP), que el estado de California reconoce como causantes de cáncer y defectos de nacimiento u otros daños reproductivos. Para más información visite www.P65Warnings.ca.gov.

LEA Y COMPRENDA TODAS LAS INSTRUCCIONES.


 ¡**ADVERTENCIA!** Cuando se emplean herramientas eléctricas para jardinería, siempre deben seguirse ciertas pautas básicas de seguridad a fin de reducir el riesgo de incendio, descarga eléctrica o lesión seria, incluyendo las siguientes:

 **ADVERTENCIA:** Podría producirse un riesgo de lesión si la cortadora de césped se utiliza sin la bolsa para pasto instalada.

 **ADVERTENCIA:** El uso de cualquier dispositivo accesorio o anexo podría elevar el riesgo de lesión.

 **PRECAUCIÓN:** En el caso de cortadoras de césped que funcionen a batería, utilice únicamente baterías de repuesto idénticas que indiquen el tipo.

PARA TODOS LOS CORTACÉSPEDOS

- 1) Evite Ambientes Peligrosos-No use artefactos en lugares húmedos o mojados.
- 2) No lo use bajo la lluvia.
- 3)  Manténgalo fuera del alcance de los niños.-Todos los espectadores deben permanecer alejados de la zona de trabajo.
- 4) Use ropa adecuada-No use ropa suelta o joyas. Pueden llegar a engancharse en las partes

móviles. Le recomendamos usar guantes de goma y calzado resistente al trabajar en el exterior.

- 5) Use Gafas Protectoras-Use siempre una máscara para la cara o contra el polvo si la operación produce polvo.
- 6) Use el Artefacto Adecuado-No use ningún artefacto para un trabajo para el cual no ha sido diseñado.
- 7) No Fuerce el Artefacto-Hará un mejor trabajo y con menor posibilidad de accidentes si la utiliza de la forma para la que fue diseñada.
- 8) No se Extienda de Más-Mantenga una buena postura y equilibrio todo el tiempo.
- 9) Manténgase Alerta-Fíjese en lo que está haciendo. Use el sentido común. No use el artefacto cuando esté cansado.
- 10) Guarde los Artefactos que no Utilice en el Interior-Cuando no los use, los artefactos deben guardarse en el interior, en un lugar seco y alto, o bajo llave – fuera del alcance de los niños.
- 11) Mantenga los Artefactos con Cuidado-Mantenga los bordes de corte afilados y limpios para obtener el mejor resultado y reducir el riesgo de heridas. Mantenga las manos secas, limpias y sin aceite o grasa.
- 12) Mantenga las cubiertas en su lugar y en buen estado.
- 13) Mantenga las hojas afiladas.
- 14) Mantenga las manos y los pies lejos del área de corte.
- 15) Los objetos despedidos por la hoja de la podadora pueden causar heridas graves. Siempre debe examinar cuidadosamente el césped y remover todos los objetos antes de podarlo.
- 16) Si la podadora de césped golpea con un objeto extraño, siga los siguientes pasos:
 - i) Detenga la podadora. Suelte la barra de encendido.
 - ii) Extracción de paquete de batería.
 - iii) Revísela por daños.
 - iv) Repare cualquier daño antes de volver a encender la podadora.
- 17) Use las mismas hojas de reemplazo únicamente.

ADVERTENCIAS DE SEGURIDAD PARA LAS HERRAMIENTAS DE JARDINERÍA A BATERÍA

1. Evite el encendido inadvertido. Asegúrese que el interruptor esté en la posición de apagado antes de conectar el paquete de batería, al levantar o transportar el aparato. Transportar el aparato con su dedo sobre el interruptor o energizar el aparato que tenga el interruptor encendido

- provoca accidentes.
2. Desconecte el paquete de batería del aparato antes de realizar cualquier ajuste, cambiar los accesorios, o guardar el aparato. Tales medidas preventivas de seguridad reducen el riesgo de encender el aparato por accidente.
 3. Recargue únicamente con el cargador especificado por Cat®. Un cargador que es adecuado para un tipo de paquete de batería puede crear un riesgo de incendio cuando se usa con otro paquete de batería.
 4. Use los electrodomésticos sólo con paquetes de baterías específicamente diseñados. El uso de cualquier otro paquete de baterías puede crear un riesgo de lesiones e incendios.
 5. Cuando la batería no esté en uso, manténgala alejada de otros objetos metálicos, como sujetadores de papel, monedas, llaves, clavos, tornillos u otros objetos metálicos pequeños, que puedan establecer una conexión de una terminal a otra. Poner en corto las terminales de la batería puede causar quemaduras o un incendio.
 6. Bajo condiciones de abuso, puede expulsarse líquido de la batería; evite el contacto. Si ocurre contacto accidentalmente, lave con agua. Si el líquido entra en contacto con los ojos, busque ayuda médica adicional. El líquido expulsado de la batería puede causar irritación o quemaduras.
 7. No use un paquete de batería o aparato dañado o modificado. Las baterías dañadas o modificadas pueden presentar un comportamiento impredecible que puede provocar un incendio, una explosión o un riesgo de lesiones.
 8. No exponga la batería o el artefacto al fuego ni a temperaturas excesivas. La exposición al fuego o la temperatura por encima de 130°C pueden causar una explosión.
 9. Siga todas las instrucciones de carga y no cargue la batería o el dispositivo fuera del rango de temperatura especificado en las instrucciones. La carga incorrecta o a temperaturas fuera del rango especificado puede dañar la batería y aumentar el riesgo de incendio.
 10. Pida que una persona de reparación calificada dé servicio usando únicamente partes de reemplazo idénticas. Esto garantizará que se mantenga la seguridad del producto.
 11. No modifique ni intente reparar el aparato o el paquete de baterías (conforme sea aplicable), excepto como se indica en las instrucciones de uso y cuidado.

Instrucciones de seguridad para cortacéspedes de uso de pie

IMPORTANTES

Instrucciones de seguridad para cortacéspedes de uso de pie


I. FUNCIONAMIENTO GENERAL

1. Lea, comprenda, y siga todas las instrucciones que aparecen en la máquina y en el(los) manual(es) antes de comenzar.
2. No coloque las manos o pies cerca o debajo de la máquina. Mantenga libre siempre el orificio de descarga.
3. Sólo pueden utilizar esta máquina adultos responsables que conozcan las instrucciones.
4. Limpie el área de objetos como rocas, cables, juguetes, etc. que podrían ser expulsados por la hoja. Manténgase detrás del mango cuando esté funcionando el motor.
5. Asegúrese de que no existan personas alrededor del área del trabajo antes de comenzar con el funcionamiento. Detenga la máquina en caso de que alguna persona ingrese en el área de trabajo.
6. No utilice la máquina descalzo o con sandalias. Utilice siempre un calzado sólido.
7. No mueva la máquina hacia atrás a menos que sea absolutamente necesario. Mire siempre hacia abajo y atrás antes y durante el movimiento de la máquina hacia atrás.
8. Nunca apunte el material descargado hacia alguna persona. Evite descargar el material contra una pared u obstrucción. El material puede rebotar hacia el operador. Detenga la hoja cuando cruce superficies de gravilla.
9. No utilice la máquina sin que el receptor de pasto, guarda de descarga, guarda trasera u otros dispositivos de protección de seguridad se encuentren colocados en su lugar y funcionando.
10. Nunca deje el motor funcionando sin supervisión.
11. Detenga el motor y espere a que la hoja se detenga por completo antes de limpiar la máquina, retirar el receptor de pasto o eliminar las obstrucciones de la guarda de descarga.
12. Utilice la máquina sólo con la luz del día o con buena luz artificial.
13. No utilice la máquina bajo la influencia de alcohol o drogas.
14. No utilice la cortadora de pasto sobre pasto mojado. Mantenga siempre la estabilidad. Camine y nunca corra.
15. Desconecte el sistema de manejo, si se encuentra colocado, antes de arrancar el motor.

16. Si la máquina comienza a vibrar de manera anormal, detenga el motor y verifique la causa de inmediato. Generalmente, la vibración es una advertencia acerca de un problema.
17. Utilice siempre protección ocular durante la utilización de la máquina.
18. Consulte las instrucciones del fabricante para obtener información acerca del funcionamiento correcto de la máquina y de la instalación de los accesorios. Sólo utilice accesorios aprobados por el fabricante.

II. UTILIZACIÓN DE LA MÁQUINA EN PENDIENTES

Las pendientes son un factor importante relacionado con accidentes de resbalones y caídas que pueden causar lesiones graves. La utilización de la máquina en pendientes requiere de precaución adicional. Si no se siente seguro sobre una pendiente, no utilice la máquina.

1.  Corte el pasto a través del frente de las pendientes y nunca hacia arriba o abajo. Tenga extremo cuidado cuando cambie la dirección sobre las pendientes.
2. Observe si existen orificios, surcos, baches, rocas u otros objetos escondidos. El terreno desparejo puede causar un resbalón y caída. El pasto alto puede ocultar obstáculos.
3. No utilice la cortadora de pasto sobre pasto mojado o en pendientes con demasiada inclinación. Una estabilidad escasa puede causar un resbalón o caída.
4. No utilice la cortadora de pasto cerca de bajadas, zanjas o malecones ya que puede perder la estabilidad.

III. NIÑOS

Pueden ocurrir accidentes trágicos si el operador no se encuentra alertado acerca de la presencia de niños. Generalmente, los niños se encuentran atraídos por la máquina y la actividad de corte de pasto. Nunca presuponga que los niños permanecerán en el mismo lugar donde los vio por última vez.

1. Mantenga a los niños alejados del área de corte de pasto y bajo el cuidado alerta de un adulto responsable que no sea el operador.
2. Esté alerta y apague la cortadora de pasto si un niño ingresa en el área.
3. Nunca permita que los niños utilicen la máquina.
4. Tenga sumo cuidado cuando se acerca a esquinas ciegas, arbustos, árboles u otros objetos que podrían no permitirle visualizar a un niño.

IV. MANTENIMIENTO

MANTENIMIENTO GENERAL

1. Mantenga todas las tuercas y pernos ajustados con el fin de asegurarse de que la máquina se encuentra en condiciones de funcionamiento seguro.
2. Nunca altere los dispositivos de seguridad. Verifique su funcionamiento correcto periódicamente.
3. Mantenga la máquina libre de pasto, hojas u otra acumulación de restos.
4. Si golpea a un objeto extraño, detenga el funcionamiento e inspeccione la máquina. Si es necesario, realice la reparación antes de comenzar a utilizar nuevamente la máquina.
5. Nunca realice ajustes o reparaciones con el motor funcionando.
6. Desconecte siempre las cortadores de pasto eléctricas antes realizar el ajuste, limpieza o reparación.
7. Revise periódicamente los componentes del receptor de pasto y la guarda de descarga. En caso de que sea necesario, realice el reemplazo utilizando las partes recomendadas por el fabricante.
8. Las hojas de la cortadora de pasto son filosas. Envuelva la hoja o utilice guantes y tenga sumo cuidado cuando realice el mantenimiento de éstas.
9. En caso de que sea necesario, mantenga o reemplace las etiquetas de seguridad e instrucciones.

PRÁCTICAS DE FUNCIONAMIENTO SEGURO PARA LA CORTACÉSPED PARA CAMINAR DESDE ATRÁS

1. Instrucciones de seguridad

1.1 Capacitación


- a) Lea detenidamente el manual de instrucciones de operación y mantenimiento. Familiarícese correctamente con los controles y el uso correcto de la herramienta.
- b) Nunca permita que los niños utilicen una cortacésped motorizada.
- c) Mantenga el área de limpieza sin personas, especialmente niños pequeños y mascotas.
- d) No utilice una cortacésped para ningún trabajo para el que no ha sido diseñada.

1.2 Preparación


- a) Inspeccione minuciosamente el área donde se utilizará la herramienta y extraiga todas las piedras, maderas, cables, huesos y otros objetos extraños.
- b) No utilice la herramienta con los pies descalzos

- o en sandalias. Utilice siempre calzado sólido.
- c) Desconecte el sistema de manejo, si se encuentra colocado, antes de arrancar el motor.
- d) Nunca intente realizar el ajuste de la altura de una rueda con el motor en funcionamiento.
- e) Utilice la herramienta sólo a la luz del día o con una luz artificial adecuada.
- f) No utilice la cortadora de pasto sobre pasto mojado.. Párese siempre de forma correcta. Sujete firmemente el mango y camine, nunca corra.


1.3 Operación

- a)  No coloque las manos ni los pies cerca o debajo de las piezas giratorias.

STOP

- b) Detenga la hoja(s) al cruzar por calles, caminos o calzadas de gravilla.
- c) Luego de golpear un objeto extraño, detenga el motor, desenchufe la herramienta, inspeccione minuciosamente para comprobar si existen daños y repare los daños antes de volver a arrancar y utilizar la herramienta.
- d) Si la herramienta comienza a vibrar de forma anormal, detenga el motor y verifique de inmediato la causa. Generalmente, la vibración es un síntoma de problemas.
- e) Detenga el motor cada vez que deje la herramienta sin supervisión y antes de efectuar una reparación o inspección.
- f) Apague el motor y espere a que la hoja se detenga por completo antes de extraer el receptor de césped o antes de quitar la obstrucción del tubo de descarga.
- g)  Corte el césped desde el frente de las laderas, nunca de arriba o abajo. Tenga sumo cuidado al cambiar la dirección en las laderas. No corte el césped en laderas excesivamente empinadas.
- h) Nunca utilice la cortacésped sin las guardas, placas u otros dispositivos de protección de seguridad adecuados colocados en su lugar.
- i) No lave la herramienta con una manguera. Evite que el agua ingrese en el motor y en las conexiones eléctricas.

1.4 Mantenimiento

- a)  Compruebe la cuchilla a intervalos regulares para verificar su correcta tensión.
- b) Mantenga todas las tuercas, pernos y tornillos apretados a fin de asegurarse de que la herramienta esté en condiciones seguras de funcionamiento.

- c) Periódicamente, compruebe la bolsa en búsqueda de deterioro y desgaste, y reemplace las bolsas desgastadas. Compruebe que las bolsas de reemplazo cumplan con las recomendaciones o especificaciones del fabricante original.
- d) Sustituya la cuchilla si se encuentra doblada o agrietada. Una cuchilla desequilibrada provoca vibraciones que podrían dañar el motor o derivar en lesiones personales.
- e) Afile las cuchillas desafiladas uniformemente por ambos extremos para mantener su equilibrio.
- f) Limpie minuciosamente la hoja y compruebe su balance colocándola horizontalmente sobre un clavo delgado a través de su orificio central. El clavo también deberá estar en posición horizontal. Si alguno de los extremos de la hoja gira hacia atrás, extraiga algo de metal desde el extremo pesado o inferior hasta que la hoja quede balanceada, que ocurre cuando ninguno de los extremos se cae.

CONSERVE ESTAS INSTRUCCIONES

ADVERTENCIAS DE SEGURIDAD GENERAL PARA EL PAQUETE DE BATERÍA

¡ADVERTENCIA! Lea y comprenda todas las instrucciones. El no seguir todas las instrucciones a continuación puede ocasionar descargas eléctricas, incendios y/o heridas graves.

Conserve todas las advertencias e instrucciones para consulta futura.

- a) **No desensamble, abra o triture el paquete de batería.**
- b) **No exponga el paquete de batería a calor o fuego. Evite guardar a la luz directa del sol.**
- c) **No ponga en corto circuito el paquete de batería. No guarde el paquete de batería de forma aleatoria en una caja o cajón donde puedan ponerse en corto circuito entre sí o ponerse en corto circuito por otros objetos metálicos.** Cuando el paquete de batería no esté en uso, manténgalo alejado de otros objetos metálicos, como sujetadores de papel, monedas, llaves, clavos, tornillos u otros objetos metálicos pequeños que puedan establecer una conexión de una terminal a otra. El corto circuito de las terminales de la batería puede causar quemaduras o incendios.
- d) **No someta el paquete de batería a impacto**

mecánico.

- e) En el caso de fuga de la batería, no permita que el líquido entre en contacto con la piel o los ojos. Si hay contacto, lave el área afectada con bastante agua y busque atención médica.
- f) No use ningún paquete de batería que no esté diseñado para uso con el equipo.
- g) Mantenga el paquete de batería fuera del alcance de los niños.
- h) Siempre adquiera el paquete de batería recomendado por el fabricante del dispositivo para el equipo.
- i) Mantenga el paquete de batería limpio y seco.
- j) Limpie las terminales del paquete de batería con una tela seca limpia su se ensucian.
- k) El paquete de batería se necesita cargar antes del uso. Siempre use el cargador correcto y consulte las instrucciones del fabricante o el manual del equipo para saber las instrucciones correctas de carga.
- l) No deje el paquete de batería en carga prolongada cuando no esté en uso.
- m) Después de periodos prolongados de almacenamiento, puede ser necesario cargar y descargar el paquete de batería varias veces para obtener el desempeño máximo.
- n) Recargue únicamente con el cargador especificado por Cat®. No use cargadores que no sean los específicamente suministrados para uso con el equipo.
- o) Conserve la literatura el producto original para referencia futura.
- p) Sólo use el paquete de batería en la aplicación para la que está diseñado.
- q) Retire el paquete de batería del equipo cuando no esté en uso.
- r) Deséchelo adecuadamente.
- s) No mezcle celdas de diferente fabricación, capacidad, tamaño o tipo dentro del dispositivo.
- t) Mantenga la batería lejos de microondas y no la someta a altas presiones.

CONSERVE ESTAS INSTRUCCIONES

ES

SÍMBOLOS



Etiqueta de peligro CPSC



Corte de dedos del pie o de la mano –
Hoja giratoria de la cortadora de pasto



Objetos expulsados desde la cubierta de
la cortadora de pasto



Mantenga alejados a los niños



Alerta de seguridad



Resbalón en pendiente



Lea el manual



Mire hacia atrás mientras retroceda



Para reducir el riesgo de lesiones,
el usuario deberá leer el manual de
instrucciones



Las baterías pueden entrar al ciclo de
agua si se desechan incorrectamente,
lo que puede ser peligroso para el
ecosistema. No deseche las baterías de
desperdicio como desperdicio municipal
sin clasificar.



No arrojar al fuego



Batería de Ion de litio, la batería se debe
reciclar



Use siempre unos guantes de protección



Retire el Paquete de la batería de la
herramienta antes de realizar cualquier
ajuste, servicio o mantenimiento.



STOP

Las cuchillas continuarán girando
después de que la máquina se apague.
Espere hasta que todos los componentes
de la máquina se hayan detenido
completamente antes de tocarlos.




call2recycle®

POSITEC Inc. ha establecido una
asociación con la empresa RBRC para
el reciclaje de todas las baterías Positec
que posean el sello RBRC-call2recycle.
Para contribuir con la protección del
medio ambiente, no deseche las baterías
como residuos normales. Después de
que haya finalizado el ciclo de vida útil
de la batería, comuníquese al 1-800-822-
8837 para acceder al servicio gratuito.

ES

DATOS TÉCNICOS

Denominación de tipo DG670 DG670.X (denominación - 6 de maquinaria, representativa de Podadora Inalámbrica)

	DG670 DG670.X *
Voltaje	60V  Max**
Velocidad sin carga	2800/ min
Diámetro de la plataforma	21" (53 cm)
Diámetro de corte	20" (51 cm)
Diámetro de la rueda delantera	8" (200 mm)
Diámetro de la rueda trasera	10" (250 mm)
Altura de corte	1-1/2"-4" (40 – 100 mm)
Posiciones de altura de corte	7
Capacidad de recolección de pasto	2 Bushels (70 L)
Tipo de batería	Litio
Peso (Herramienta descubierta)	62.2 lbs (28.2kg)

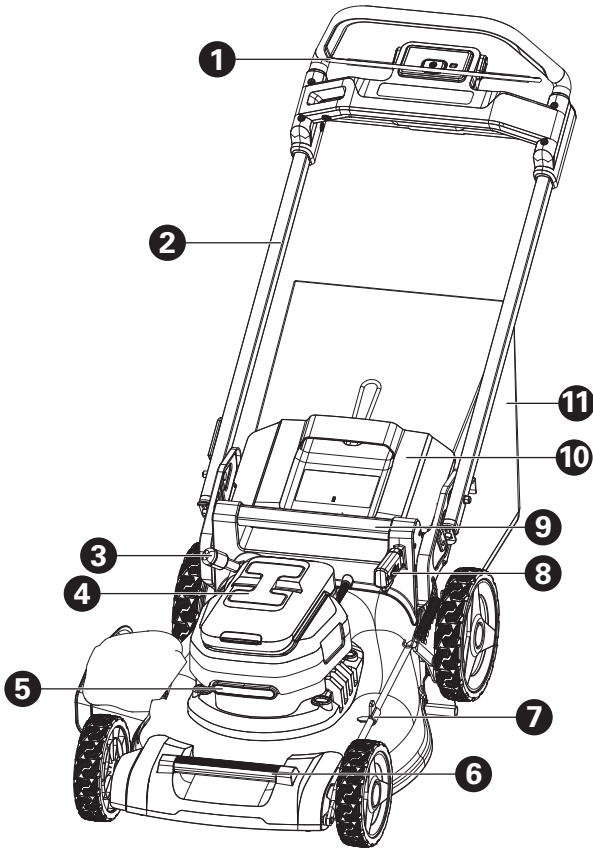
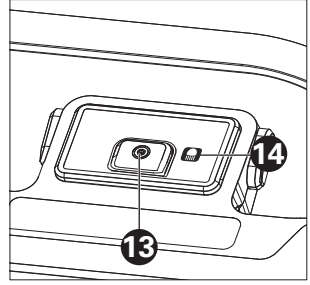
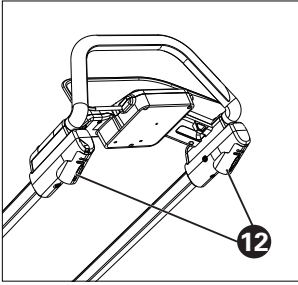
* X puede ser seguido por uno o dos caracteres. Todos los modelos son iguales, excepto el número de modelo y la marca registrada. El sufijo en los modelos puede ser un número del "1" al "999" o la letra inglesa "A" a "Z" o "M1" a "M9" que significa un paquete diferente o el Varios accesorios embalados en el paquete.

** Voltaje medido sin carga de trabajo. El voltaje inicial de la batería alcanza un máximo de 60V. El voltaje nominal es 54V.

BATERÍAS Y CARGADORES SUGERIDOS

Categoría	Modelo	Capacidad
60V Batería	DG6B2	2.0 Ah
	DG6B25	2.5 Ah
	DG6B4	4.0 Ah
	DG6B5	5.0 Ah
60V Cargador	DG6C3	3.0 A
	DG6C5	5.0 A
	DG6C8	8.0 A

Le recomendamos que compre todos los accesorios en la tienda donde adquirió la herramienta. Consulte el empaque de los accesorios para obtener más detalles. El personal de la tienda también puede ayudarle y aconsejarle.



LISTA DE PARTES

1. VARILLA DE ACCIONAMIENTO (ACOPLAMIENTO DE CUCHILLAS)
2. BARRA DE MANIJA
3. PALANCA DEL INTERRUPTOR DE ACOLCHADO / DESCARGA LATERAL-ENSACADO
4. CUBIERTA DE ALOJAMIENTO DE BATERÍA
5. FARO LED
6. ASA DELANTERA PARA GUARDAR/LEVANTAR
7. PUNTERO DE AJUSTE DE LA ALTURA DE CORTE
8. PUERTO DE LAVADO
9. ASA TRASERA PARA LEVANTAR
10. PROTECCIÓN DE DESCARGA
11. BOLSA PARA PASTO
12. LIBERACIÓN RÁPIDA PARA PLEGAR MANGO
13. BOTÓN DE BLOQUEO DE SEGURIDAD
14. BOTÓN DEL INTERRUPTOR PARA EL FARO LED
15. CUBIERTA DE DESCARGA LATERAL (VEA LA FIG. D2)
16. ESCOTILLA DE DESCARGA LATERAL (VEA LA FIG. D2)
17. BATERÍA *** (VEA LA FIG. E1)
18. PERNO DE LA HOJA (VEA LA FIG. N1)
19. HOJA (VEA LA FIG. N1)
20. ESPACIADOR (VEA LA FIG. N1)

*** No todos los accesorios ilustrados o descritos se incluyen junto con el producto estándar.**

INSTRUCCIONES DE USO



NOTA: Antes de usar la herramienta, lea atentamente el manual de instrucciones.

USO PREVISTO

Este producto está destinado a la siega de césped doméstico.

ENSAMBLE:

Ensamble de barra de manija & Altura de manija de ajuste (Vea la Fig. A1, A2)

NOTA: mantenga presionado el botón de liberación rápida durante la operación.

Ensamble de bolsa de recolección de pasto (Vea la Fig. B)

Ensamble de Bolsa de recolección de pasto a la podadora (Vea la Fig. C1, C2, C3)

NOTA: Presione ligeramente la bolsa para pasto para asegurarse de que se encuentra completamente instalada. Asegúrese de que la bolsa para pasto se encuentra instalada firmemente.

NOTA: Presione la palanca del interruptor de la bolsa de pasto para abrir la salida de pasto antes de colocar la bolsa de recolección de césped.

Instalación de escotilla de descarga lateral (Vea la Fig. D1, D2)

Levanten la puerta de pasto para ensamblar el conducto de descarga lateral.

NOTA: Recuerde retirar primero la bolsa de recolección de césped y luego presione la palanca del interruptor de la bolsa de pasto para cerrar la salida de pasto antes del montaje.

Comprobación del estado de carga de la batería (Vea la Fig. E1)

NOTA: La Fig. E1 solo se aplica al paquete de baterías con luz indicadora de batería.

El nivel de la batería se puede determinar presionando el botón indicador de energía al lado de las luces de batería. Presione el botón antes y después de cada uso para que compruebe la batería

Observaciones	Luz LED	Estado de la batería
Cinco luces verdes iluminadas.		70 % ≤ nivel de energía ≤ 100 %

Cuatro luces verdes iluminadas.		50 % ≤ nivel de energía < 69 %
Tres luces verdes iluminadas.		35 % ≤ nivel de energía < 49 %
Dos luces verdes iluminadas.		20 % ≤ nivel de energía < 34 %
Una luz verde iluminada.		10 % ≤ nivel de energía < 19 %
Ninguna luz iluminada.		Nivel de energía < 10 %

Cargar el paquete de baterías (Vea la Fig. E2)

- Su paquete de baterías está cargado parcialmente y debe cargarlo completamente antes del primer uso.
- Puede encontrar más detalles en el manual del cargador.

NOTA: Debe cargar completamente cada batería antes del primer corte. Siempre cargue completamente las dos baterías a la vez.

Colocación/ desinstalación de paquete de batería (Vea la Fig. F1, F2)

Oprima el botón de liberación de la batería para liberar el(los) paquete(s) de baterías de su herramienta. Después de recargar, inserte el paquete de baterías en el puerto de la batería de la herramienta hasta que oiga un "clic". Un simple empuje con una presión leve será suficiente.

NOTA: El puerto de batería frontal es la posición de alimentación, mientras que el puerto de batería trasera es la posición de almacenamiento de la batería de repuesto.

OPERACIÓN:

Encendido & Apagado (Vea la Fig. G1, G2)

Presione el botón de bloqueo de seguridad, después empuje el asa operativa para comenzar. Libere el asa operativa para detener.

AVISO: Para la puesta en marcha, pulse al mismo

tiempo el botón de bloqueo de seguridad y la varilla de accionamiento. Asegúrese de que la palanca Mantillo-Saco está en la posición saco después de cortar el césped. (Vea la Fig. C1)

RECOMENDACIONES PARA DESBROZAR

Al utilizar el accesorio de desmenuzado, su nueva podadora está diseñada para recortar los trozos de pasto en pequeñas piezas y distribuir las por todo el césped.

Bajo condiciones normales, el pasto recortado se degradará rápidamente para proporcionarle nutrientes a su césped. Para obtener el mejor funcionamiento, utilizando las aletas de desmenuzado ubicados dentro de la cubierta de la cortacésped.

- 1) Evite podar el césped cuando esté mojado debido a la lluvia o al rocío. El pasto húmedo tiende a formar grupos que interfieren con la acción de desbroce y reducen el tiempo de operación. La mejor hora para podar el césped es ya avanzada la tarde, cuando el pasto esté seco y el área recién cortada no quede expuesta a la luz directa del sol.
- 2) Para obtener mejores resultados, ajuste la altura de podado para que corte solamente el tercio superior. Si el césped está demasiado largo, será necesario ajustar la podadora. Puede ser necesario disminuir la altura de corte para reducir el esfuerzo de empuje y evitar sobrecargar el motor. Para desbrozar áreas muy pesadas, es recomendable hacer un primer corte a una altura elevada, y después recortar a la altura final deseada. De otra manera, haga cortes angostos y pade lentamente.
- 3) Para mejor rendimiento, conserve la carcasa de la podadora libre de pasto acumulado. De vez en cuando apague la podadora , retire las baterías y espere que el aspa se detenga completamente. Gire la podadora de cabeza. Usando un objeto como un palo, limpie la acumulación de césped en el área del aspa. Tenga cuidado con los bordes filosos del aspa. Limpie a menudo en césped húmedo y nuevo y siempre después de cada uso.
- 4) Ciertos tipos de césped y las condiciones del pasto pueden requerir que el área se desbroce por segunda ocasión para ocultar completamente los restos. Cuando efectúe el segundo corte, pade perpendicularmente al primer tramo. **NO PODE PERPENDICULARMENTE SI ESTO LE OBLIGA A CAMINAR A TRAVES DE UNA COLINA.**
- 5) Cambie su patrón de corte cada semana. Esto le ayudará a evitar maltratar su césped.
- 6) No corte césped en una pendiente que tenga un ángulo mayor de 15°

ÁREA DE CORTE

El área de corte se puede afectar por varios factores, tales como la altura de corte, la humedad del césped, la longitud y la densidad de la hierba. Además, arrancar y detener la cortadora de césped muchas veces

durante el funcionamiento reducirá el área de corte.


Es ideal para cortar 1/4 acres a tamaños de lote de X1/2 acre.

CONSEJOS:

- 1) Se recomienda que corte el césped con mayor frecuencia, camine a un ritmo normal, y no arranque y detenga la cortadora de césped con demasiada frecuencia durante el funcionamiento.
- 2) Para el mejor rendimiento, asegure usar paquetes de baterías completamente cargados a la vez y corte siempre 1/3 o menos de la altura de la hierba.
- 3) Camine lentamente cuando corte hierba larga, de manera que haga más efectivo el corte y la descarga correcta de los recortes.
- 4) Evite cortar hierba húmeda, de lo contrario esta se adherirá al lado inferior de la cubierta y los recortes no se podrán recoger o descargar correctamente.
- 5) Se debe aplicar una mayor altura de corte a la hierba nueva o gruesa y eso alargará la duración de la batería.

Ajuste de altura de corte (Vea la Fig. H)


Presione y mantenga presionada la palanca de regulación de la altura de corte. Ajuste la altura de corte hacia arriba y hacia abajo.

 **ADVERTENCIA!** Deténgase, libere la faja operativa y espere a que el motor se detenga antes de ajustar la altura. Las cuchillas continuarán girando después de apagar la máquina. Una cuchilla en movimiento podría causar una lesión. No toque las cuchillas en movimiento.

Abrir el foco LED delantero (Vea la Fig. I)

Presione el botón interruptor para el foco LED delantero.

Retirar/vaciar la bolsa colectora de hierba (Vea la Fig. J1, J2)

 **ADVERTENCIA:** Compruebe siempre la aleta de seguridad cerca de la salida de descarga antes del uso. Nunca levante la aleta de seguridad cuando la cortadora de césped se esté usando sin tener colocada la bolsa colectora de hierba.

DESPUÉS DE LA OPERACIÓN:

ALMACENAMIENTO (Vea la Fig. K1, K2)

Detenga la cortadora de césped y siempre retire las baterías. Limpie bien el exterior de la máquina con un cepillo blando y un trapo. No use agua, solventes o pulidores. Quite todo el pasto y desechos, especialmente de las ranuras de ventilación. Ponga la máquina de costado y limpie el área de la hoja. Si hay cortes de pasto compactados en la zona de la hoja, quítelos con un trozo de madera o plástico. Guarde la máquina en un lugar seco. No coloque objetos encima de la máquina.

Para facilitar el almacenamiento, mantenga presionado el botón de liberación rápida, y doble la Barra de manija

MANTENIMIENTO



ADVERTENCIA: Detenga la cortadora de césped, retire las baterías antes de retirar la bolsa colectora de hierba.

NOTA: Para asegurar un servicio duradero y confiable, realice el siguiente procedimiento de mantenimiento periódicamente. Revísela por defectos obvios como la hoja floja, dislocada o dañada, tornillos flojos, y componentes gastados o dañados. Verifique que las cubiertas y protecciones no estén dañadas y estén correctamente colocadas en la podadora. Realice todo el mantenimiento o reparaciones necesarias antes de usarla. Si la podadora presenta una falla a pesar del mantenimiento, llame a nuestra línea de ayuda al cliente por asesoramiento.

AFILADO DE LA CUCHILLA

CONSERVE AFILADA LA CUCHILLA PARA OBTENER MEJOR RENDIMIENTO DE LA PODADORA. UTILICE PROTECCION PARA LOS OJOS SIEMPRE QUE QUITA, AFILE O INSTALE LA CUCHILLA. ASEGURAR QUE LAS BATERÍAS SE RETIREN.

En la mayoría de las zonas, la cuchilla debe afilarse dos veces durante la temporada de podado. En zonas con suelos arenosos, se puede requerir afilado más frecuentemente, ya que la arena acaba con el filo de la cuchilla más rápidamente.

REEMPLACE UNA CUCHILLA DOBLADA O DAÑADA INMEDIATAMENTE.

CUANDO AFILE LA CUCHILLA (Vea la Fig. L)

1. Asegúrese que la cuchilla quede balanceada.
2. Afíle la cuchilla en el ángulo de corte original.
3. Afíle los bordes en ambos extremos de la cuchilla, rebaje la misma cantidad de material en ambos extremos.

NOTA:

1. Asegúrese que la podadora esté apagada y retire las baterías.
2. Coloque la podadora en el modo de almacenamiento vertical.

BALANCEO DE LA CUCHILLA (Vea la Fig. M)

Verifique el balance de la cuchilla colocando la perforación central M-1 sobre el vástago de un destornillador M-2 sujetado en una prensa M-3. Si cualquiera de los extremos gira hacia abajo, afíle ese extremo. La cuchilla está balanceada correctamente cuando ninguno de los extremos cae.

MANTENIMIENTO DE LAS CUCHILLAS (Vea la Fig. N1, N2)

Cambie la cuchilla después de 50 horas de corte o 2 años, lo que ocurra antes, independientemente de la

condición de las mismas.

Siga el procedimiento siguiente para extraer y reemplazar la cuchilla. Necesitará guantes de jardín (no suministrados) y una llave (no suministrada) para extraer la cuchilla. Asegúrate de que las baterías no estén instaladas. Coloque una cuña de madera entre la cuchilla y la cubierta de la podadora para evitar que la cuchilla gire y desenrosque el perno de la cuchilla hacia la izquierda utilizando una llave, y luego extraiga la hoja.

Para volver a colocar la hoja, coloque la hoja con los bordes de corte hacia el suelo. Apriete entonces firmemente la tuerca de la cuchilla.

PARA HERRAMIENTAS DE BATERÍA

El rango de temperatura ambiente para uso y almacenamiento de la herramienta y la batería es de 0°C-45°C (32°F-113°F).

El rango de temperatura ambiente recomendado para el sistema de carga durante la carga es de 0°C-40°C (32°F-104°F).

GUÍA DE SOLUCIÓN DE PROBLEMAS

Problema	Solución
1. El cortacésped no funciona cuando se activa el mango de la fianza	A. Suelte el mango de fianza para apagar la podadora. Retire las baterías. Voltee la podadora y verifique que la hoja pueda girar libremente. Si no está libre, devuelva la unidad a un centro de mantenimiento autorizado. La hoja debe girar libremente. B. ¿Se ha cargado la batería por completo? Enchufe el cargador y espere hasta que se encienda la luz verde. Para la puesta en marcha, pulse al mismo tiempo el botón de bloqueo de seguridad y la varilla de accionamiento. (Ver Fig. G1)

2. El motor se detiene mientras está cortando el césped.	<p>A. Suelte el mango de fianza para apagar la podadora. Retire las baterías, voltee la cortadora de césped al revés y compruebe si tiene atascados restos de hierba, retire los restos del área de rotación de la cuchilla. Después, compruebe que la cuchilla puede girar libremente. Si no está libre, devuelva la unidad a un centro de mantenimiento autorizado de. La hoja debe girar libremente.</p> <p>B. Eleve la altura de corte de las ruedas a la posición más alta y encienda la podadora.</p> <p>C. ¿Se ha cargado la batería por completo? Enchufe el cargador y espere hasta que se prenda la luz verde.</p> <p>D. Evite sobrecargar la podadora. Reduzca el ritmo de corte empujando la podadora con mayor lentitud o eleve la altura de corte. También puede hacer ambas cosas.</p>	6. El LED del cargador de la batería no se enciende.	<p>A. Verifique la conexión del enchufe.</p> <p>B. Reemplace el cargador.</p>
3. La podadora funciona, pero el rendimiento de corte no es satisfactorio o no corta el césped en su totalidad.	<p>A. ¿Se ha cargado la batería por completo? Enchufe el cargador y espere hasta que se prenda la luz verde.</p> <p>B. Suelte el mango de fianza para apagar la podadora. Voltee la podadora y verifique que: El filo de la hoja. Mantenga la hoja afilada. No haya obstrucciones en la plataforma o en el conducto de descarga</p> <p>C. Es posible que el ajuste de altura de las ruedas se haya fijado demasiado bajo para el estado del césped. Eleve la altura de corte.</p>	7. El LED del cargador de la batería no cambia a verde.	<p>A. Se debe someter la batería a diagnóstico. Llévela a un centro de mantenimiento autorizado.</p>
4. Cuesta mucho empujar la podadora.	<p>A. Eleve la altura de corte para reducir el rozamiento de la plataforma contra el césped. Verifique que cada rueda gire libremente.</p>	8. La podadora no recoge los recortes de césped con la bolsa.	<p>A. Coloque la Palanca del interruptor de acolchado/descarga lateral-ensacado en la posición de ensacado (conducto no bloqueado por la placa).</p> <p>B. El conducto está obstruido. Suelte el mango de fianza para apagar la podadora. Retire las baterías. Elimine los recortes de césped del conducto.</p> <p>C. Demasiado césped cortado. Eleve la altura de corte de las ruedas para acortar la longitud del corte.</p> <p>D. La bolsa está llena. Vacíe la bolsa con mayor frecuencia.</p>
5. La podadora produce vibraciones y ruidos anormales.	<p>A. Suelte el mango de fianza para apagar la podadora. Retire las baterías. Voltee la podadora sobre el costado y verifique la hoja para asegurarse de que no esté doblada o dañada. Si la hoja está dañada, reemplácela por una hoja de repuesto. Si la parte inferior de la plataforma está dañada, envíe la podadora a un centro de mantenimiento autorizado.</p> <p>B. Si no hay daños visibles en la hoja y la podadora aún vibra: Suelte el mango de fianza para apagar la podadora, retire las baterías, y retire la hoja. Haga girar la hoja 180 grados y vuelva a ajustarla. Si la podadora sigue vibrando, envíela a un centro de mantenimiento autorizado.</p>	9. Al realizar el mantillo los recortes quedan a la vista.	<p>A. Demasiado césped cortado. Eleve la altura de corte de las ruedas para acortar la longitud del corte. No corte más de 1/3 de la longitud total.</p> <p>B. Verifique el filo de la hoja. Siempre mantenga la hoja afilada.</p> <p>C. Reduzca la velocidad si la hierba está alta o demasiado espesa.</p>
		10. El tiempo de funcionamiento será bajo o reducido después de muchos usos.	<p>A. Devuelva la unidad a un centro de mantenimiento autorizado. Es posible que necesite una batería nueva.</p>
		11. El LED del cargador de batería parpadea en rojo y no se puede cargar la batería.	<p>A. La batería se sobrecarga después del uso continuo. Retire la batería del cargador y permita que enfríe a 42°C menos.</p>
		12. Si la palanca Mantillo-Saco no se moverá.	<p>A. Retire el paquete de baterías.</p> <p>B. Coloque el cortacésped en posición de almacenamiento vertical.</p> <p>C. Quite la hierba de la placa de acolchado. (Vea la Fig. 0)</p> <p>D. Después de limpiar la hierba de la placa de acolchar y de su ranura, puede lubricar los bordes de ambas con un lubricante aerosol doméstico tal como WD-40 o PAM.</p>

CAT[®]



www.catpowertools.com
AR01576003



©2022 Caterpillar. CAT, CATERPILLAR, their respective logos, "Caterpillar Yellow," the "Power Edge" trade dress as well as corporate and product identity used herein, are trademarks of Caterpillar and may not be used without permission. Positec Group Limited, a licensee of Caterpillar Inc