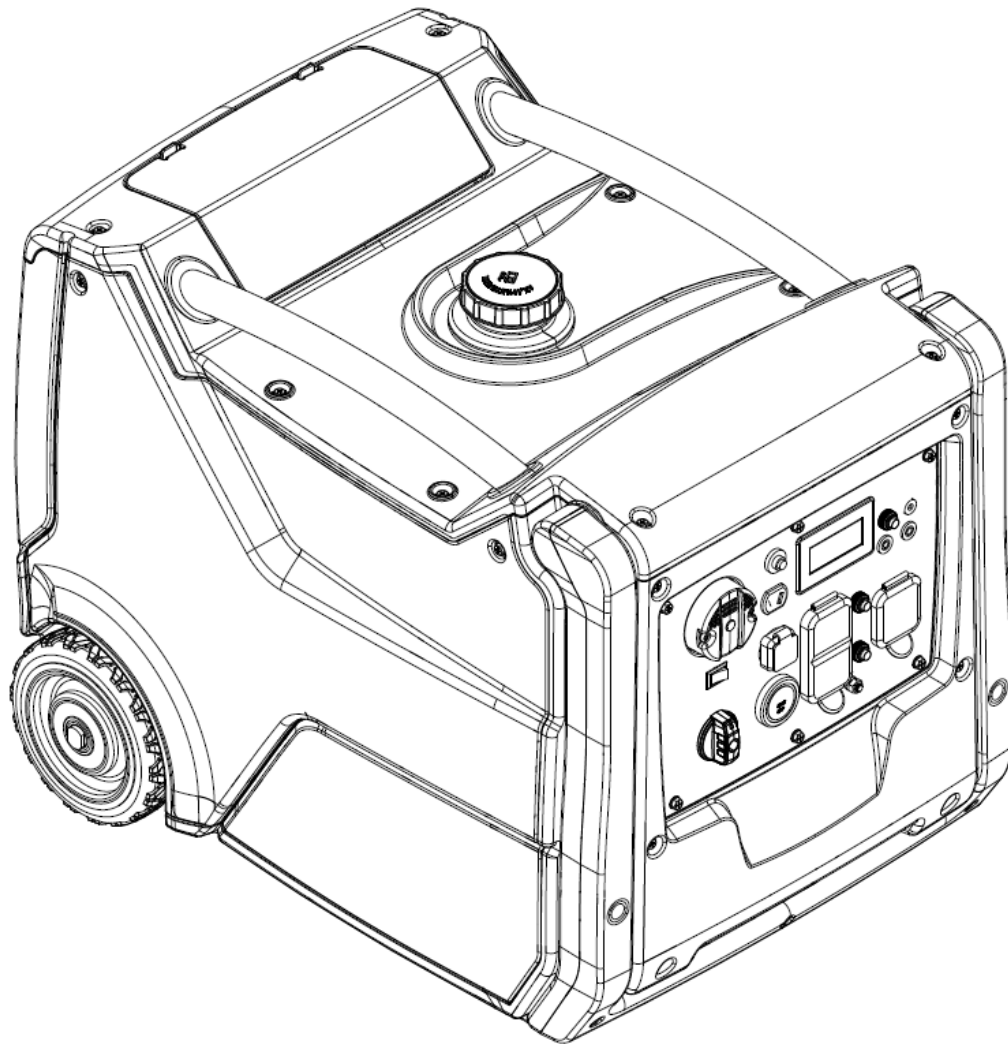


# Owner's Manual

---


## INV4000 E Portable Generator

---



## Important Safety Information

Most accidents that involve product operation, maintenance and repair are caused by failure to observe basic safety rules or precautions. An accident can often be avoided by recognizing potentially hazardous situations before an accident occurs. A person must be alert to potential hazards, including human factors that can affect safety. This person should also have the necessary training, skills and tools to perform these functions properly.

Safety precautions and warnings are provided in this manual and on the product. If these hazard warnings are not heeded, bodily injury or death could occur to you or to other persons. The hazards are identified by the "Safety Alert Symbol"  and followed by a "Signal Word" such as "DANGER", "WARNING" or "CAUTION".

Caterpillar cannot anticipate every possible circumstance that might involve a potential hazard. The warnings in this publication and on the product are, therefore, not all inclusive. You must not use this product in any manner different from that considered by this manual without first satisfying yourself that you have considered all safety rules and precautions applicable to the operation of the product in the location of use, including site-specific rules and precautions applicable to the worksite. If a tool, procedure, work method or operating technique that is not specifically recommended by Caterpillar is used, you must satisfy yourself that it is safe for you and for others. You should also ensure that you are authorized to perform this work, and that the product will not be damaged or become unsafe by the operation, lubrication, maintenance or repair procedures that you intend to use.

The information, specifications, and illustrations in this publication are provided on the basis of information that was available at the time that the publication was written. The specifications, torques, pressures, measurements, adjustments, illustrations, and other items can change at any time. These changes can affect the service that is given to the product. Obtain the complete and most current information before you start any job.


In the United States, the maintenance, replacement, or repair of the emission control devices and systems may be performed by any repair establishment or individual of the owner's choosing.

This manual contains safety, operation, and maintenance information. This manual should be stored near the product. Read, study and keep it with the literature and product information.

### Consumer Arbitration Clause

The Limited Warranty included in this User Guide contains important legal terms including, but not limited to, a Consumer Arbitration Clause calling for mandatory individual arbitration and waiving the ability to bring a case as a class action. Please review this carefully.

### California Proposition 65 Warning

 <b>WARNING</b>
This product and its related accessories can expose you to chemicals including benzene which is known to the State of California to cause cancer and birth defects or other reproductive harm. For more information go to <a href="http://www.P65Warnings.ca.gov">www.P65Warnings.ca.gov</a> . To reduce the risk of these health hazards, avoid inhaling oil and gasoline fumes and engine exhaust. Wash hands after use.

## Table of Contents

Consumer Arbitration Clause.....	2
California Proposition 65 Warning .....	2
SAFETY MESSAGES .....	5
Additional Messages.....	6
Special Requirements.....	6
COMPONENT IDENTIFICATION .....	7
Engine Type & Serial Number .....	8
FIRST USE INSTRUCTIONS .....	9
Oil.....	9
Fuel .....	9
Carriage brackets .....	9
Battery Connection .....	10
Walk-Around Inspection.....	10
CONTROLS .....	11
LCD Smart Display .....	11
Overview .....	11
Low fuel level Indicator .....	11
Service Indicator .....	11
Overload Indicator .....	11
Low Oil Level Indicator .....	11
Low Battery Voltage Indicator.....	11
Generator Switch .....	11
CO DEFENSE™ & Shut Off System (If equipped).....	12
Parallel Receptacles .....	12
Electric Starter .....	12
Engine Smart Control (ESC) Switch.....	12
Overload Reset Button .....	13
AC/DC Circuit Breakers.....	13
120 VAC, 20 Amp, GFCI Duplex .....	13
120 VAC, 30 Amp, Locking.....	13
12 Volt DC.....	13
USB Receptacles.....	13
Low Oil Level Shutdown .....	13
GENERATOR OPERATION .....	14
Optimal Generator Operating Conditions .....	14
Connection to Household Power Supply.....	14
Generator Grounding.....	14
AC Usage.....	14
High Altitude Kits .....	14
BEFORE STARTING ENGINE .....	14

Engine Oil.....	14
Fuel Level – Check .....	14
STARTING THE ENGINE.....	15
Recoil Start .....	15
Electric Start (If equipped) .....	15
STOPPING THE ENGINE .....	15
MAINTENANCE.....	15
Generator - Inspect.....	16
Air Filter – Check .....	16
Cylinder Head - Clean .....	16
Engine Oil Level – Check .....	16
Engine Oil – Change .....	17
Engine Valve Lash – Inspect/Adjust .....	17
Fuel Line – Replace .....	17
Fuel Tank Cap and Strainer – Clean .....	17
Spark Arrestor - Inspect/Clean/Replace .....	17
Spark Plug – Inspect/Adjust/Replace .....	18
Walk-Around Inspection.....	18
STORAGE .....	19
Storage for 1 to 3 months .....	19
Storage for more than 3 months.....	19
TROUBLESHOOTING.....	20
SPECIFICATIONS.....	21
COMBINED EXHAUST AND EVAPORATIVE EMISSIONS CONTROLS WARRANTY STATEMENT ....	22
Your Warranty Rights and Obligations .....	22
Manufacturer’s Warranty Coverage.....	22
Owner’s Warranty Responsibilities .....	22
Defects Warranty Requirements: .....	22
WARRANTY .....	24
CONSUMER ARBITRATION CLAUSE: MANDATORY BINDING INDIVIDUAL ARBITRATION INSTEAD OF COURT; CLASS ACTION WAIVER .....	24

## SAFETY MESSAGES

There may be several specific safety messages on your generator. Please become familiar with all safety messages.

Ensure that all safety messages are legible. Clean the safety messages or replace the safety messages if the words cannot be read or if the illustrations are not visible. Use a cloth, water, and soap to clean the safety messages. Do not use solvents, gasoline, or other harsh chemicals. Solvents, gasoline, or harsh chemicals could loosen the adhesive that secures the safety messages.

Replace any safety message that is damaged or missing. If a safety message is attached to a part of the generator that is replaced, install a new safety message on the replacement part.



### Read the Manual

#### WARNING

Do not operate or work on this generator unless you have read and understand the instructions and warnings in the Owner's Manual. Failure to follow the instructions or heed the warnings could result in injury or death. Proper care is your responsibility.

### Hot Surface / Do Not Touch / Flammable Material



#### WARNING

Hot parts or hot components can cause burns or other personal injury. Do not allow hot parts or components to contact your skin. Use protective clothing or protective equipment to protect your skin. Hot exhaust presents a potential fire hazard. Be sure that nothing flammable is within 1.5 meters of the exhaust.



## Carbon Monoxide

**⚠ DANGER**

**Using a generator indoors CAN KILL YOU IN MINUTES.**  
Generator exhaust contains carbon monoxide. This is a poison you cannot see or smell.

**NEVER** use inside a home or garage, **EVEN IF** doors and windows are open.

Only use **OUTSIDE** and far away from windows, doors, and vents.

---

**⚠ DANGER**      **⚠ PELIGRO**

Utiliser un générateur à l'intérieur PEUT VOUS TUER EN QUELQUES MINUTES. Les gaz d'échappement du générateur contiennent du monoxyde de carbone. C'est un gaz toxique invisible et inodore.

- NE JAMAIS utiliser à l'intérieur d'une maison ou d'un garage, MÊME SI les portes et les fenêtres sont ouvertes.
- Utiliser **UNIQUEMENT** à l'EXTÉRIEUR et loin des fenêtres, portes et ventilations.

Si usa un generador en interiores, MORIRÁ EN POCOS MINUTOS. El escape del generador contiene monóxido de carbono. Es un veneno que no tiene olor ni se puede ver.

- **NUNCA** lo use dentro de una casa o garaje. AUN si las puertas y ventanas están abiertas.
- Sólo úselo en EXTERIORES y lejos de ventanas, puertas y ductos de ventilación.

CO DEFENSE	⚠ WARNING	⚠ AVERTISSEMENT	⚠ ADVERTENCIA
<ul style="list-style-type: none"> <li>• CARBON MONOXIDE SHUTOFF SYSTEM IN USE.</li> <li>• SYSTÈME D'ARRÊT POUR DÉTECTION DE MONOXYDE DE CARBONE EN SERVICE.</li> <li>• SISTEMA DE CORTA DE MONÓXIDO DE CARBONO EN USO.</li> </ul>	<p> FLASHING RED INDICATOR - AUTOMATIC SHUTOFF EVENT - YOU MUST:</p> <p>Leave area immediately and relocate to an open outdoor area. Ventilate area thoroughly before occupying again. Ensure the generator is located in an open outdoor area.</p> <p> MOVE TO FRESH AIR AND GET MEDICAL HELP IF SICK, DIZZY OR WEAK.</p>	<p>VOYANT ROUGE CLIGNOTANT = ÉVÈNEMENT ENTRAÎNANT UN ARRÊT AUTOMATIQUE. VOUS DEVEZ:</p> <p>Quitter immédiatement la zone et vous rendre dans un lieu extérieur en plein air. Bien ventiler la zone avant d'occuper les lieux de nouveau. S'assurer que la génératrice est placée dans un lieu extérieur en plein air.</p> <p>ALLEZ À L'AIR LIBRE ET CONSULTEZ UN MÉDECIN SI VOUS VOUS SENTEZ MAL, ÉTOURDI OU FAIBLE.</p>	<p>EL INDICADOR ROJO PÁRPADEA = EVENTO DE APAGADO AUTOMÁTICO. USTED DEBE:</p> <p>Abandonar el área de inmediato y vaya a un lugar al aire libre. Ventile bien el área antes de volver a ocuparla. Asegúrese de que el generador está ubicado en un lugar al aire libre.</p> <p>TOMAR AIRE FRESCO Y BUSCAR AYUDA MÉDICA EN CASO DE SENTIRSE MAL, MAREADO O DÉBIL.</p>
<p>DIRECT ENGINE EXHAUST AWAY FROM OCCUPIED STRUCTURES.</p> <p>ORIENTEZ L'ÉCHAPPEMENT DU MOTEUR À L'OPPOSÉ DES CONSTRUCTIONS OCCUPÉES.</p> <p>MUEVA EL ESCAPE DEL MOTOR LEJOS DE LAS ESTRUCTURAS OCUPADAS.</p>	<p> CONSTANT ORANGE INDICATOR - SYSTEM FAULT CONTACT DEALER.</p> <p> TAMPERING WITH CO DEFENSE COULD RESULT IN A HAZARDOUS CONDITION</p>	<p>VOYANT ORANGE FIXE - DÉFAILLANCE DU SYSTÈME. COMMUNIQUEZ AVEC LE DÉPOSITAIRE.</p> <p>L'ALTÉRATION DE CO DEFENSE PEUT ENTRAÎNER DES CONDITIONS DANGEREUSES</p>	<p>INDICADOR NARANJA DE CONTACTO / FALLA DEL SISTEMA. COMUNIQUESE CON EL DISTRIBUIDOR.</p> <p>HACER ALTERACIONES CON CO DEFENSE PODRÍA OCASIONAR CONDICIONES PELIGROSAS</p>

Operating a generator indoors can kill you in minutes. Generator exhaust contains carbon monoxide. Carbon monoxide is a poison that you cannot see or smell. Never operate a generator inside a home or garage, even if doors and windows are open. Only operate a generator outdoors and away from windows, doors, and vents. Always direct engine exhaust away from occupied structures. If anyone experiences dizziness, headaches, nausea, or tiredness get to fresh air immediately and seek medical attention. Ventilate the area thoroughly before again occupying it.

The carbon monoxide shutoff system (if equipped) is not a substitute for safe generator operation. Do Not adjust or modify the carbon monoxide shutoff system. Failure to follow instructions can cause the system to malfunction which can result in hazardous conditions.



## Electrocution

### **! DANGER**

Shock/Electrocution Hazard: Do not operate this equipment or work on this equipment unless you have read and understand the instructions and warnings in the Owner's Manual. Failure to follow the instructions or heed the warnings will result in serious injury or death.

### **! WARNING**

Operation of this equipment may create sparks that can start fires around dry vegetation. A spark arrestor may be required. The operator should contact local fire agencies for laws or regulations relating to fire prevention requirements.

### **! WARNING**

Electrical backfeed into a utility's distribution system can cause property damage, severe injury, or death. Electrical backfeed warning. Do not connect generator to a building's electrical system unless using an isolation (transfer) switch installed by a certified, licensed electrician. CA H&S Code 119075 & 119080.

## Additional Messages

	<b>Do not operate in wet conditions</b>
	<b>No smoking, no exposed flames, no sparks.</b>
	<b>Maintain a minimum distance of 5 feet (1.5 meters) from other objects.</b>
	<b>Ensure that the unit is properly grounded.</b>
	<b>Earth ground connection</b>

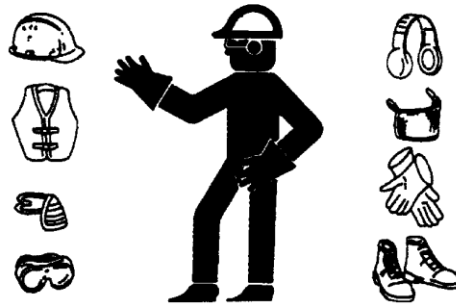
## Special Requirements

Electrical equipment, including lines and plug connections should be covered and protected from moisture.

In any generator set installation, the frame of the generator must be connected to an earth ground. A ground terminal is provided.

The INV4000 E has a permanent neutral conductor bonded to the frame.

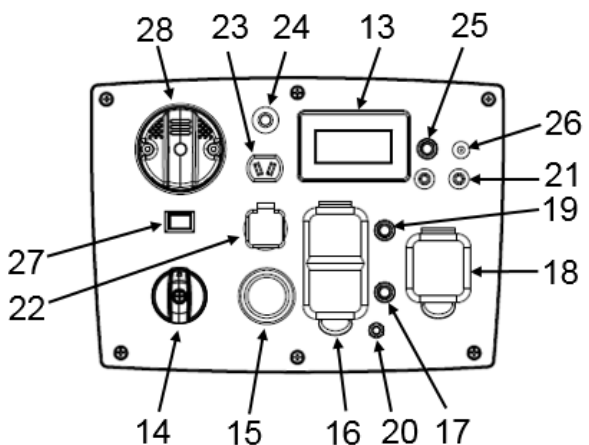
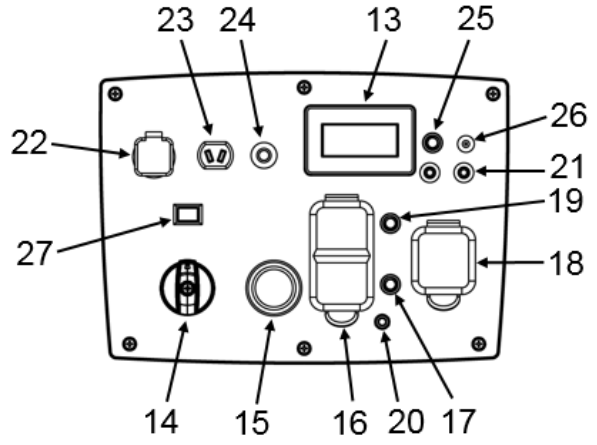
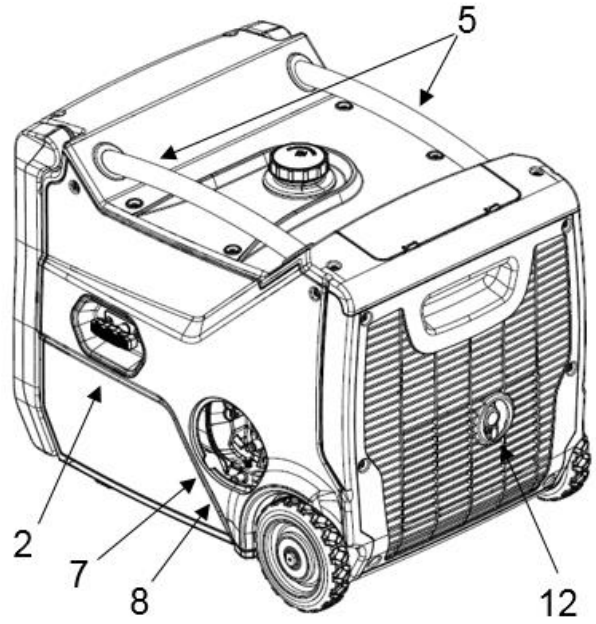
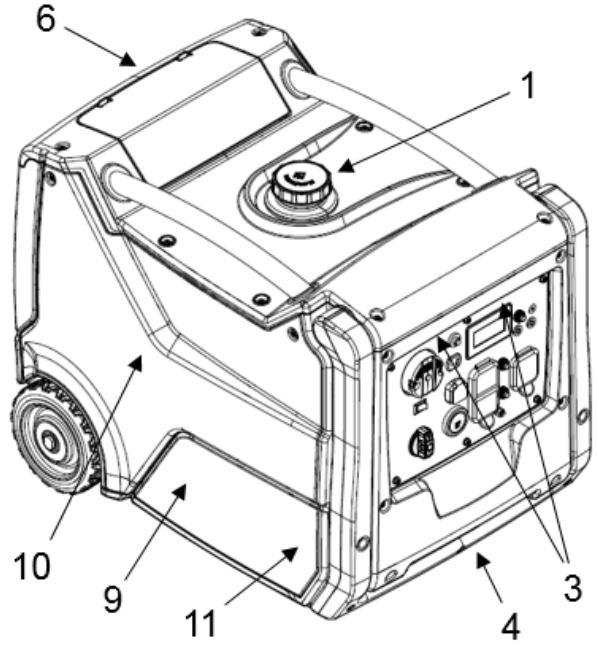
For 120VAC, use extension cords rated for 125V at 20A or greater. Use the shortest extension cord that meets these requirements.



- Wear a hard hat, protective glasses, and other protective equipment, as required.
- When work is performed around an engine that is operating, wear protective devices for ears in order to help prevent hearing damage.
- Do not wear loose clothing or jewelry that can snag on controls or on other engine parts.
- Ensure that all protective guards and all covers are secured in place on the engine.
- Never put maintenance fluids into glass containers. Glass containers can break.
- Use all cleaning solutions with care.

The circuit breakers should match the generator specifications. If the circuit breakers require replacement, they must be replaced with a circuit breaker of the same rating and performance characteristics.

# COMPONENT IDENTIFICATION



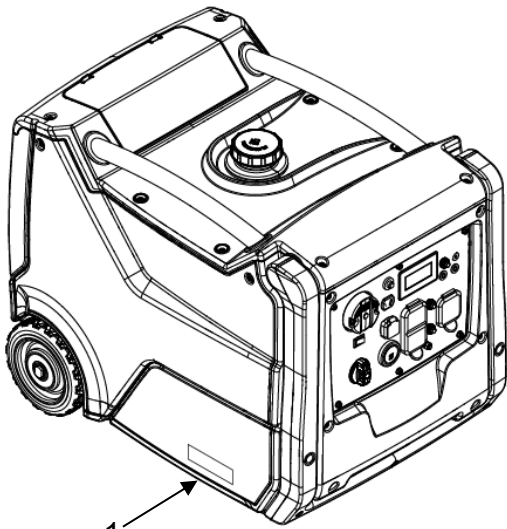
**Panel without CO DEFENSE™**

**Panel with CO DEFENSE™**

- |                          |                                       |
|--------------------------|---------------------------------------|
| 1) Fuel Cap              | 16) Receptacle – 120 VAC duplex GFCI  |
| 2) Recoil Starter        | 17) AC Circuit Breaker                |
| 3) Panel LED Lights      | 18) Receptacle – 120 VAC              |
| 4) Fold-down Handle      | 19) Main AC Circuit Breaker           |
| 5) Carrying Handles      | 20) Ground Terminal                   |
| 6) Tool Compartment      | 21) Parallel Receptacles              |
| 7) Oil Gauge / Oil Fill* | 22) Receptacle – USB double           |
| 8) Oil Drain*            | 23) Receptacle – 12VDC 8.3A           |
| 9) Air Filter Assembly** | 24) DC Circuit Breaker                |
| 10) Spark plug**         | 25) Overload Reset Button             |
| 11) Battery**            | 26) Trickle Charger Port              |
| 12) Spark Arrestor       | 27) Engine Smart Control (ESC) Switch |
| 13) LCD Smart Display    | 28) CO DEFENSE™ (If equipped)         |
| 14) Generator Switch     |                                       |
| 15) Electric Starter     |                                       |

\*behind service access door  
 \*\*behind side panel

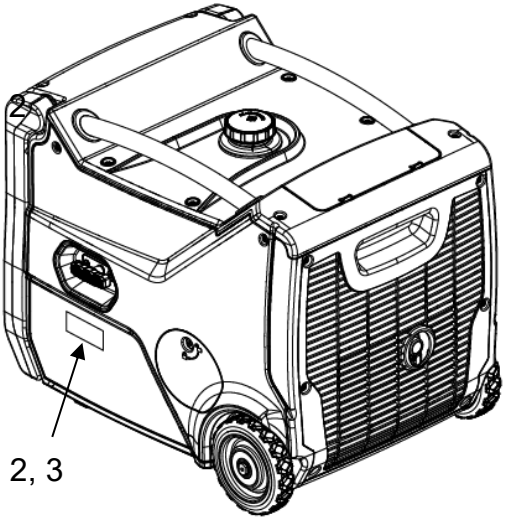
# Engine Type & Serial Number



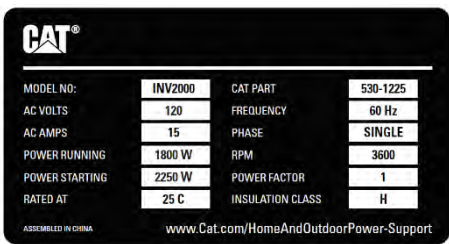
1



3



2, 3



2

Cat® portable generators are identified with model numbers, serial numbers, and with performance specification numbers. The model number and performance specifications are located on the ratings plate (2) or the CSA ratings plate (3). The serial number is located on the serial number plate (1).



# FIRST USE INSTRUCTIONS

## Oil

**Note:** The generator is shipped with no oil in the engine; add the proper amount before first use.

Follow the Engine Oil Level-Check procedure to add the proper amount of oil for the unit as described in the Specifications chart.

## Fuel

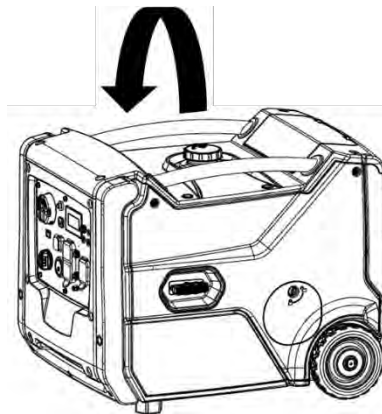
Follow the Fuel Level – Check procedure to add the proper amount of fuel for the unit as described in the Specifications chart.

## Carriage brackets

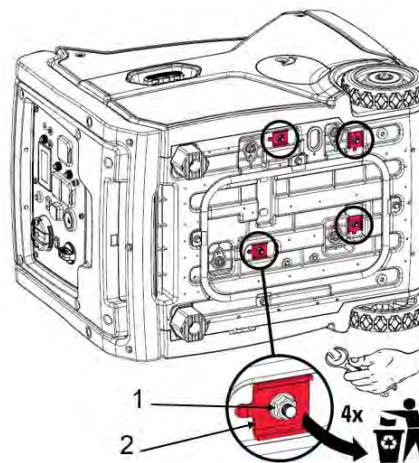
The generator has 4 red carriage brackets fitted underneath the base to prevent damage caused by rough handling during transit.

**IMPORTANT-** These be must be removed before use, otherwise the unit will vibrate excessively and damage may occur.

To remove the carriage brackets:

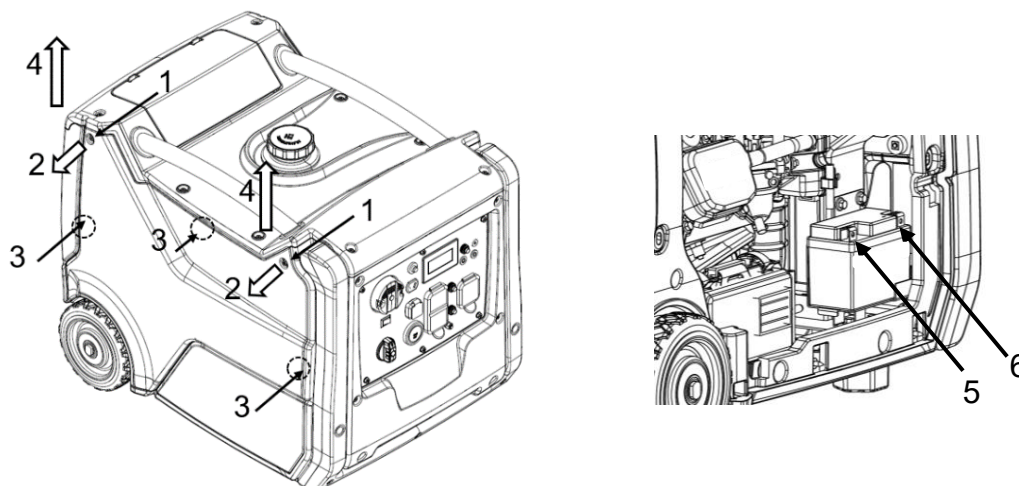


1. Gently place the generator on its side (with the recoil handle facing up). Place some packaging foam under the generator to prevent damage.



2. Using the wrench provided, remove the 4 nuts (1) and the 4 red carriage brackets (2). The studs securing the carriage brackets can remain in place.

## Battery Connection



The generator is equipped with an internal lithium-ion battery mounted in the battery holder. The battery is disconnected and must be connected before first use.

To access the battery:

1. Unscrew the 2 fasteners (1) at the top of the side panel. Note that they are captive fasteners and cannot be removed from the side panel.
2. Pull the captive fasteners in the direction shown (2) to release the top of the side panel.
3. Pull the panel until the hidden fasteners (3) are pulled apart.

**Important**, stop pulling once the fasteners (3) are pulled apart, otherwise the tabs at the bottom on the side panel could be damaged.

4. To remove the side panel completely, lift off in a vertical direction (4) to release the bottom tabs.

To connect the battery:

1. The positive battery cable (5) is already connected.
2. Attach the cable with the black cap to the negative battery terminal (6).
3. To make the connection easier, the battery can be removed by releasing the rubber battery strap.

Reattach the side panel in reverse order before first use.

## Walk-Around Inspection

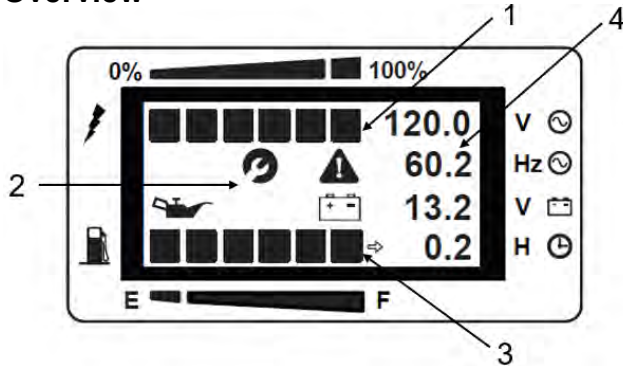
Perform the Walk-Around Inspection before each use as described later in this manual.

# CONTROLS

## LCD Smart Display

The generator is equipped with a multifunction smart LCD display to monitor real-time power output, fuel usage, and provide the user with information alerts relating to some basic service & fault scenarios.

### Overview

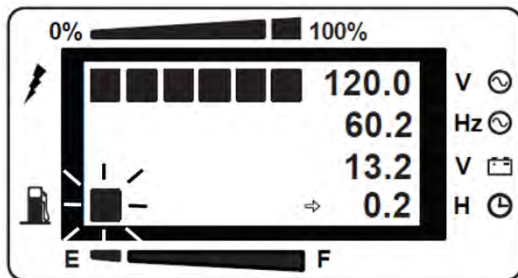


- (1) Power usage – Up to 6 bars shown with range between 0% and 100% load
- (2) Indicator symbols – Oil service, overload, low oil level, low battery voltage
- (3) Fuel level – Up to 6 bars shown with range between 0% and 100% fuel level
- (4) Meter readings - AC voltage, frequency, DC battery voltage, operating hours\*.

\*The hours display automatically alternates between two readings:

- a) With arrow showing – remaining hours based on current load and fuel remaining.
- b) Without arrow showing – total accumulated hours from new.

### Low fuel level Indicator



When the fuel level drops below 0.3 gal (1.2 L) the first fuel level bar will flash. If the unit is running, the remaining hours indicator will count down to 0 hrs before the unit shuts down. If the unit is started with less than 0.3 gal (1.2 L), the first bar will flash, and the remaining hours will show 0 hrs.

### Service Indicator

The service indicator will be displayed for 1hr when the accumulated hours reach the following milestones - 20hrs, 100hrs, and then every 100hrs thereafter.

### Overload Indicator

The overload indicator will illuminate when there is a short circuit in a connected load, or the generator is overloaded.

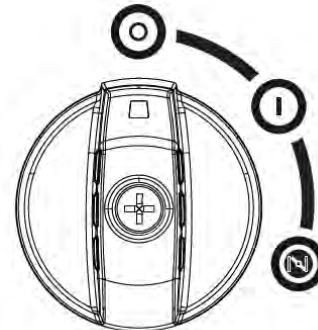
### Low Oil Level Indicator

The low oil level indicator will illuminate, and the unit will shut down when there is an insufficient amount of oil in the crankcase

### Low Battery Voltage Indicator

The low battery indicator will illuminate when the battery voltage drops below 11.0 volts. The unit may not start using the electric start, but can still be started using the recoil start.

### Generator Switch



Turn the generator switch to the choke position when starting the engine. Refer to Starting the Engine.

Turn the generator switch to the on position "I" once it has been started.

To turn off the generator, turn the generator switch to the off "0" position.

## CO DEFENSE™ & Shut Off System (If equipped)



CO DEFENSE	⚠ WARNING	⚠ AVERTISSEMENT	⚠ ADVERTENCIA
<ul style="list-style-type: none"> <li>CARBON MONOXIDE SHUTOFF SYSTEM IN USE</li> <li>SYSTÈME D'ARRÊT POUR DÉTECTION DE MONOXYDE DE CARBONE EN SERVICE</li> <li>SISTEMA DE CORTE DE MONÓXIDO DE CARBONO EN USO</li> </ul>	<p><b>FLASHING RED INDICATOR - AUTOMATIC SHUTOFF EVENT. YOU MUST:</b></p> <p>Leave area immediately and relocate to an open outdoor area. Ventilate area thoroughly before reoccupying it. Ensure the generator is located in an open outdoor area.</p> <p><b>MOVE TO FRESH AIR AND GET MEDICAL HELP IF SICK, DIZZY OR WEAK.</b></p>	<p><b>VOYANT ROUGE CLIGNOTANT - ÉVÉNEMENT ENTRAÎNANT UN ARRÊT AUTOMATIQUE. VOUS DEVEZ:</b></p> <p>Quitter immédiatement la zone et vous rendre dans un lieu extérieur en plein air. Bien ventiler la zone avant d'occuper les lieux de nouveau. S'assurer que le générateur est placé dans un lieu extérieur en plein air.</p> <p><b>ALLEZ À L'AIR LIBRE ET CONSULTEZ UN MÉDECIN SI VOUS VOUS SENTEZ MAL, ÉTOURDI OU FAIBLE.</b></p>	<p><b>EL INDICADOR ROJO PARPADEA - EVENTO DE APAGADO AUTOMÁTICO. USTED DEBE:</b></p> <p>Abandone el área de inmediato y vaya a un lugar al aire libre. Ventile bien el área antes de volver a ocuparla. Asegúrese de que el generador está ubicado en un lugar al aire libre.</p> <p><b>TOMAR AIRE FRESCO Y BUSCAR AYUDA MÉDICA EN CASO DE SENTIRSE MAL, MAREADO O DÉBIL.</b></p>
<p><b>DIRECT ENGINE EXHAUST AWAY FROM OCCUPIED STRUCTURES.</b></p> <p>ORIENTEZ L'ÉCHAPPEMENT DU MOTEUR À L'OPPOSÉ DES CONSTRUCTIONS OCCUPÉES.</p> <p>MUEVA EL ESCAPE DEL MOTOR LEJOS DE LAS ESTRUCTURAS OCUPADAS.</p>	<p><b>CONSTANT ORANGE INDICATOR - SYSTEM FAULT. CONTACT DEALER.</b></p> <p><b>TAMPERING WITH CO DEFENSE COULD RESULT IN A HAZARDOUS CONDITION.</b></p>	<p><b>VOYANT ORANGE FIXE - DÉFAILLANCE DU SYSTÈME. COMMUNIQUEZ AVEC LE DÉPOSITAIRE.</b></p> <p><b>L'ALTÉRATION DE CO DEFENSE PEUT ENTRÂÎNER DES CONDITIONS DANGEREUSES.</b></p>	<p><b>INDICADOR NARANJA DE CONTACTO - FALLA DEL SISTEMA. COMUNIQUESE CON EL DISTRIBUIDOR.</b></p> <p><b>HACER ALTERACIONES CON CO DEFENSE PODRÍA OCASIONAR CONDICIONES PELIGROSAS.</b></p>

The (carbon monoxide) CO DEFENSE™ system monitors the accumulation of carbon monoxide gas while the generator is running and will shut off the engine if the levels become dangerously high. The CO DEFENSE™ on this generator is not a substitute for an indoor CO alarm.

Whenever the CO DEFENSE™ has shut off the engine there will be a light on the control panel that indicates the reason. Read the CO Action Label (shown above) for the next steps to take.

If the CO DEFENSE™ light is flashing “red” you must leave the area immediately and relocate to an open outdoor area. Ventilate the area thoroughly before again occupying it. Ensure the generator is located in an open outdoor area with the exhaust pointed away from occupied structures. If anyone experiences dizziness, headaches, nausea, or fatigue get to fresh air immediately and seek medical attention.

If the CO DEFENSE™ light is a constant “orange” then a system fault has occurred. This fault can only be diagnosed and repaired by an Authorized Service Provider.

The CO DEFENSE™ monitors the accumulation of CO gas from all sources in the area around the generator. If the CO DEFENSE™ light is flashing “red” this is not an error and safety measures must be taken immediately.

**Note:** Tampering with the CO DEFENSE™ could result in hazardous conditions and must be avoided.

**Note** The generator must not be operated in ambient temperatures greater than 131°F (55°C) as this can damage the CO DEFENSE™.

## Parallel Receptacles



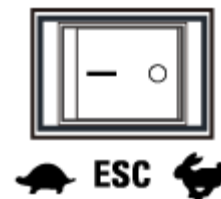
Two parallel ready generators can be connected to increase the total power available to a load by using the parallel receptacles. The system seamlessly matches frequency and automatically distributes the load to each generator so one is not overloaded. Follow the parallel kit (sold separately) instructions for connection and use of a parallel kit.

## Electric Starter



Push the start button to crank the engine using the electric start and release it once the engine starts.

## Engine Smart Control (ESC) Switch



This generator is equipped with an engine smart control switch. When in the on position “I” the engine will vary speed to match the required power output to conserve fuel and reduce wear and noise.

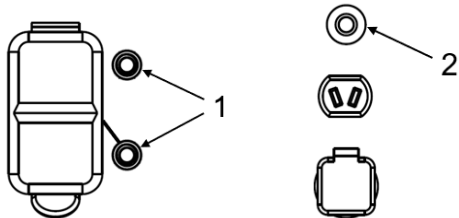
**Note:** If loads requiring intermittent power, or multiple large loads are connected, turn the electronic speed control switch off “O” to avoid possible engine stall. To avoid extended warm-up time, keep the electronic speed control off until normal operating temperatures have been reached.

## Overload Reset Button



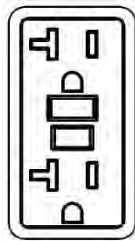
This button can be used to clear an overload condition without the need to stop and restart the unit.

## AC/DC Circuit Breakers



The generator comes equipped with AC (1) and DC (2) circuit breakers that protect the unit and the load from short circuit or overload conditions. If the circuit breaker opens, determine why the circuit breaker tripped before closing the circuit breaker.

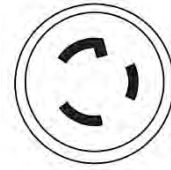
## 120 VAC, 20 Amp, GFCI Duplex



The 120 VAC duplex receptacle is protected against overload by a 20 Amp push to reset circuit breaker. It also provides protection via a Ground Fault Circuit Interruptor (GFCI) with press to Test and Reset buttons. Use the receptacle to power a NEMA 5-20, 120 VAC, single phase, 60 Hz electrical load requiring 20 Amps of current.

Use only high quality, well insulated, 3-wire grounded cords rated for 125 V at 20 Amps (or greater). Keep extension cords as short as possible (less than 15 feet) to prevent voltage drop and overheating of wires.

## 120 VAC, 30 Amp, Locking



The 120 VAC locking outlet is protected against overload by a 30 Amp push to reset circuit breaker.

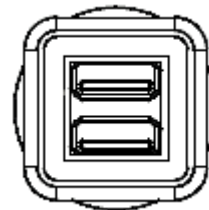
Use a NEMA L5-30 plug with this receptacle (rotate to lock or unlock). Use the receptacle to power a 120 VAC, single phase, 60 Hz, single phase, 60 Hz electrical load requiring up to 27 Amps of current.

## 12 Volt DC



The generator comes equipped with a 12 volt DC output capable of providing 8.3 Amps of current, via the supplied 12 volt charging cable.

## USB Receptacles



The generator comes equipped with a double USB receptacle. The top is a 5V 1A USB port and the bottom is a 5V 2.1A USB port.

## Low Oil Level Shutdown

The generator is equipped with a low oil level shutdown that is designed to protect the engine from damage caused by an insufficient amount of oil in the crankcase. When the oil level in the crankcase falls below the safe operating limit the low oil level light will illuminate and the engine will automatically shutdown.



# GENERATOR OPERATION

## Optimal Generator Operating Conditions

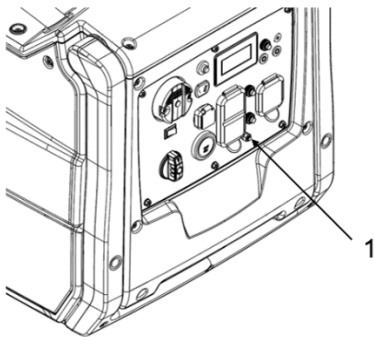
- Temperature: 23°F to 104 °F (-5°C to 40°C)
- Humidity below 95%
- Height above sea level: < 3000 feet (900 m). If the height of the operating area is over 900 m, output power will be reduced.

Standard operating conditions are 77°F (25°C) and 40% humidity. Generator power may be reduced due to different ambient conditions and other factors such as fuel quality.

## Connection to Household Power Supply

This generator must be installed in accordance with all applicable local laws and electrical codes. The generator must be isolated from the utility and the connection must be verified by a qualified electrician.

## Generator Grounding



The National Electrical Code requires generators to be grounded to an approved earth ground. Correct grounding for the generator is necessary for optimum engine performance and reduces the risk of electric shock. Use the ground terminal (1) to properly ground the generator. Before using the ground terminal, consult a qualified electrician, electrical inspector, or local authority having jurisdiction for local codes or ordinances that apply for the intended use of the generator.

## AC Usage

Do NOT overload the generator. Exceeding the rated power of the generator can damage the generator and the electrical devices connected to it.

Motor-driven devices require a large starting current. Make sure that the total power requirement of these types of loads does not exceed the rated power of the generator.

When the generator is used to power multiple loads or electric appliances, start by connecting the appliance with the highest starting power requirements, followed by the second highest and ending with the lowest.

## High Altitude Kits

At higher altitudes, the standard air-fuel mixture is too rich and will cause decreased performance and increased fuel consumption. A rich mixture will also foul the spark plug and make starting difficult. Operation at higher altitudes for extended periods of time may increase emissions.

Proper operation can be ensured by installing an altitude kit when required. High altitude kits should be installed by a qualified technician. Contact an authorized service provider if the portable generator will be operated at altitudes greater than 3000 feet (0.9 km) above sea level.

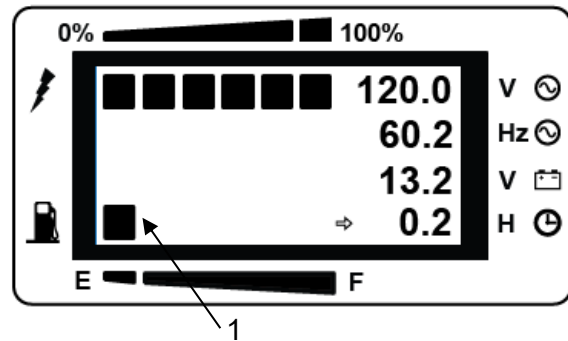
**Note:** At elevations greater than 8000 feet above sea level, the engine may experience decreased performance even with the high-altitude kit installed.

## BEFORE STARTING ENGINE

### Engine Oil

Check the oil level before each use. Refer to the Engine Oil Level - Check procedure in this manual.

### Fuel Level – Check



1. Check the fuel level gauge (1).
2. If the fuel level is low, remove fuel cap.
3. Check the strainer. If the strainer is dirty, clean the strainer. Refer to Fuel Tank Cap and Strainer – Clean for instructions.
4. Add fuel. The use of a fuel stabilizer is highly recommended as the unit may sit for long periods of time before needed.
5. Install the fuel cap after fueling.

To avoid personal injury always use caution when you are adding fuel:

- Fuel the generator in a well-ventilated area.
- Always stop the engine before fueling.
- Always fill with the generator on a level surface.
- Allow the engine to cool before fueling.
- Do not smoke while you are fueling the generator.
- Do not fuel the generator near open flames or sparks.
- Do not fill the fuel tank above the full line.
- Avoid repeated or prolonged fuel contact with skin.
- Avoid prolonged breathing of fuel vapor.

To avoid damaging the generator:

- Use unleaded gasoline with an octane rating greater than or equal to 86.
- Do not mix oil with the gasoline.
- Do not use gasoline with greater than 10% ethanol content.
- Do not use old gasoline.
- Avoid getting dirt or water into the fuel tank.

## STARTING THE ENGINE

### Recoil Start

1. Isolate the generator from the utility.
2. Unplug any electrical devices from the receptacles.
3. Turn the generator switch to the choke position.
4. Slowly pull the starter handle until resistance is felt, then quickly pull the starter handle the rest of the way. If the engine does not start, repeat step 4 until the engine does start.
5. After the engine has warmed up, turn the generator switch to the on "I" position.

### Electric Start (If equipped)

1. Isolate the generator from the utility.
2. Unplug any electrical devices from the receptacles.
3. Turn the generator switch to the choke position.
4. Press the generator start button "ⓘ" until the engine starts and then immediately release the generator start button.

**NOTE:** Do not press the generator start button for more than 5 seconds as this may damage the starter motor. If the engine fails to start, wait 10 seconds before trying again.

5. After the engine has warmed up, turn the generator switch to the "I" position.

## STOPPING THE ENGINE

1. Disconnect the generator / unplug all electrical devices.
2. Turn the generator switch to the off "0" position.

**NOTE:** To stop the engine in an emergency, turn the generator switch to the off "0" position.

## MAINTENANCE

Ensure that all safety information, warnings, and instructions are read and understood before any maintenance procedures are performed.

Use service hours or calendar time, WHICH EVER OCCURS FIRST, to determine the correct maintenance intervals.

Stop the engine before servicing. Put the generator on a level surface and remove the spark plug cap to prevent the engine from starting. Do not operate the engine in an unventilated room or other enclosed area.

### When Required:

Fuel Tank Cap and Strainer – Clean

### Every Use:

Engine Oil Level – Check  
Walk-Around Inspection

### First 20 Service Hours or 1 Month:

Engine Oil – Change

### Every Month:

Generator – Inspect

### Every 50 Service Hours or 3 Months:

Spark Arrester – Inspect/Clean/Replace

### Every 100 Service Hours or 6 Months:

Engine Oil – Change  
Air Filter – Check  
Spark Plug – Inspect/Adjust/Replace

### Every 300 Service Hours or 1 Year:

Cylinder Head – Clean  
Engine Valve Lash – Check

### Every 2 Years:

Fuel Line – Check/Replace if necessary

**NOTE:** Use only genuine Caterpillar parts.

## Generator - Inspect

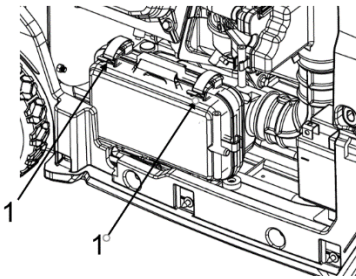
Once a month start the engine and run the engine until it reaches normal operating temperature (about 10 minutes). Plug in a corded device and turn on the device to ensure that the generator is providing power. Once you have verified that the generator is providing power, turn off the device and unplug it. Then turn the generator off.

## Air Filter – Check

A dirty air filter will restrict air flow into the carburetor, will cause poor fuel economy, and may damage the engine. To keep the generator in good operating condition, service the air filter regularly. Service more frequently when operating the generator in extremely dusty areas.

**Note:** Never operate the generator without the air filter in place. Operating the generator without the air filter in place will result in rapid engine wear.

To access the air filter, follow the procedure for Battery Connection in the FIRST USE INSTRUCTIONS.



1. To access the air filter foam and paper elements, unclip the 2 fasteners (1).
2. Gently remove the air filter cover. Note, the paper element should be removed with the cover.

Inspect the paper element for cleanliness. If the paper element is dirty, replace it.

Inspect the foam element. If the foam element is dirty, wash the element. If the foam element is damaged, replace it.

Use nonflammable solvent or a mixture of household detergent and warm water to wash the filter. Rinse the filter thoroughly to remove all of the cleaning solution. Replace the filter after the filter has dried. DO NOT oil the foam filter.

**Note:** Do not wring out the filter. Wringing out the filter may damage the filter.

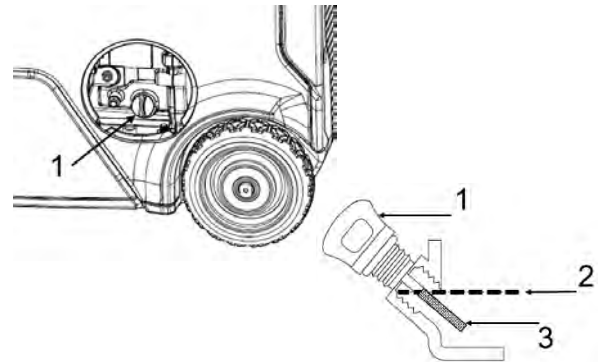
Use a damp rag to wipe dirt from the case and cover. Install the filter into the housing. Replace the air filter door and side panel in the reverse procedure to removal.

## Cylinder Head - Clean

Only qualified service personnel should perform this maintenance procedure. Contact your local service center to schedule this maintenance.

## Engine Oil Level – Check

Always check the engine oil with the generator on a level surface and with the engine stopped.



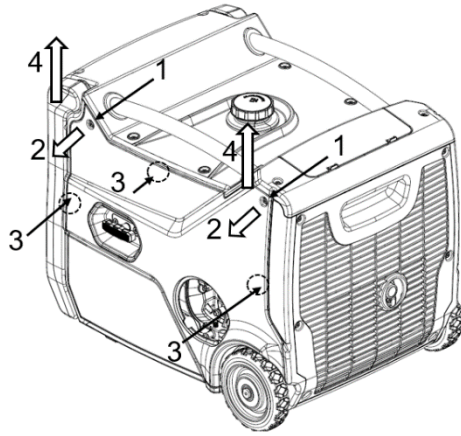
1. Open the service access door and remove the oil level gauge (1) and wipe clean.
2. Check the oil level by re-inserting the oil level gauge (do not screw in tight).
3. If the oil level is low (3), add the recommended engine oil, using the funnel supplied, until the oil level reaches the upper mark (2) on the oil level gauge. Use the chart below to determine which viscosity oil to use.
4. After adding oil, install and tighten the oil level gauge (1) and close the service door.

Recommended Lubricant Viscosities for Ambient Temperature				
Oil Viscosities	°C		°F	
	Min	Max	Min	Max
SAE 0W-40	-40	40	-40	104
SAE 5W-40	-30	50	-22	122
SAE 10W-30	-18	40	0	104
SAE 15W-40	-10	50	14	122

**Note:** Non-detergent and 2-stroke engine oils will damage the engine and must not be used.



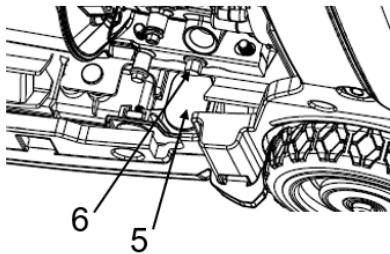
## Engine Oil – Change



1. Operate the engine until it reaches normal operating temperature. Stop the engine and use a suitable container to collect the used oil.
2. Unscrew the 2 fasteners (1) at the top of the side panel. Note that they are captive fasteners and cannot be removed from the side panel.
3. Pull the captive fasteners in the direction shown (2) to release the top of the side panel.
4. Pull the panel until the hidden fasteners (3) are pulled apart.

**Important**, stop pulling once the fasteners (3) are pulled apart, otherwise the tabs at the bottom on the side panel could be damaged.

5. To remove the side panel completely, lift off in a vertical direction (4) to release the bottom tabs.
6. The side panel should be set carefully to the side with the recoil cord still attached.



7. Carefully place the generator on wooden blocks to allow an oil drain container to be placed underneath the rubber grommet (5).
8. Remove the rubber grommet (5).
9. Unscrew the oil drain plug (6) and drain all the engine oil into the container.
10. Replace the oil drain plug and rubber grommet.
11. Clean up any excess oil.
12. REFILL the oil, using the funnel (supplied) and check the oil level. Refer to Engine Oil Level – Check.
13. Install and tighten the oil level gauge.
14. Reattach the side panel in reverse order to

removal.

15. Dispose of the used oil properly.
16. Start the engine for a brief period and check for leaks.
17. Stop the engine and check the oil level. Add oil if level indicates it is needed. Refer to Engine Oil Level – Check.

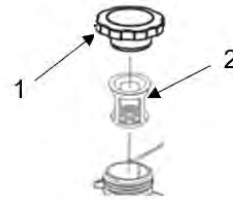
## Engine Valve Lash – Inspect/Adjust

Only qualified service personnel should perform this maintenance procedure. Contact your local service center to schedule this maintenance.

## Fuel Line – Replace

Only qualified service personnel should perform this maintenance procedure. Contact your local service center to schedule this maintenance.

## Fuel Tank Cap and Strainer – Clean



Wipe off the fuel cap (1) and surrounding area before removing the fuel cap. Wiping off the fuel cap and surrounding area before removing the fuel cap helps to reduce the amount of contaminants allowed into the fuel system.

If there is a build-up of debris in the fuel strainer (2), remove the strainer and rinse out the strainer. Allow the strainer to dry before installing the strainer.

## Spark Arrestor - Inspect/Clean/Replace



**Hot Surface**

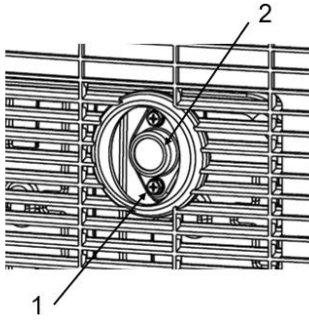
**WARNING**

Hot parts or hot components can cause burns or personal injury. Do not allow hot parts or components to contact your skin. Use protective clothing or protective equipment to protect your skin.

DO NOT perform this maintenance procedure until the muffler has cooled.

This unit has a spark arrestor fitted to the exhaust outlet of the muffler. The spark arrestor should be cleaned with a soft wire brush after every 50 hours or 3 months of use. The spark arrestor should be

replaced after every 100 hours of operation or if it becomes damaged.

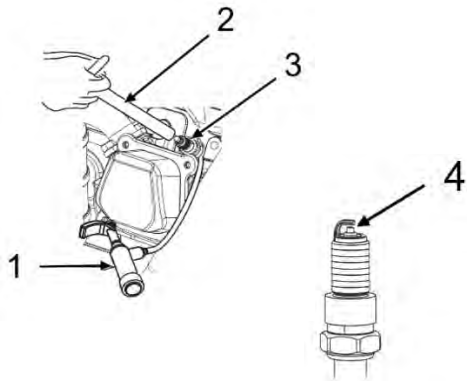


Remove screws (1). Remove spark arrester (2). Check the spark arrester for damage. Carefully clean the spark arrester with a soft wire brush. If the spark arrester is damaged, replace the spark arrester.

To install the spark arrester, align the mounting holes in the spark arrester with the mounting holes on the muffler. Insert screws (1) and tighten securely.

### Spark Plug – Inspect/Adjust/Replace

Refer to the Specifications section of this manual to determine the proper spark plug part number and spark plug gap for your product.



1. DO NOT perform this maintenance procedure with the engine running.
2. Turn the generator switch to the off “O” position.
3. Remove the side panel as per the Air Filter – Check procedure.
4. Remove the spark plug boot (1) by pulling it off the top of the spark plug.
5. Use the plug wrench (2) or a spark plug socket to remove the spark plug (3).
6. Visually check the spark plug to see if it is damaged. If the insulator is cracked, replace the spark plug. If the electrode is damaged, replace the spark plug.
7. Measure the plug gap (4) with a feeler gauge. Adjust the gap as necessary by carefully bending the electrode. Refer to Specifications for the correct gap for your product.

8. Install the spark plug by hand and then tighten to  $9 \pm 2$  lb ft ( $12.5 \pm 2$  Nm). DO NOT overtighten as this may damage the engine.
9. Re-attach the spark plug boot and side panel.

### Walk-Around Inspection

Before starting the engine perform a visual inspection of the unit. Look for:

- Proper oil level
- Proper fuel level
- Good quality fuel
- Fluid leaks
- Loose clamps
- Loose bolts
- Cracked fuel line
- Loose or frayed wiring
- Built up debris

In addition, make sure that:

- The ground terminal is properly connected

## STORAGE

When a generator is in storage, air may condense and moisture may appear on the windings. In order to minimize condensation, always store the generator in a dry area. Cover the generator with a protective cover that extends to the ground. The cover should remain loose around the generator to allow proper ventilation.

The generator must not be stored in ambient temperatures greater than 131°F (55°C) as this can damage the CO DEFENSE™ (if equipped).

Wait until the generator has cooled before covering it. NEVER operate the generator with the cover installed. It could ignite and cause damage.

### Storage for 1 to 3 months

Remove any dirt, rust, grease, and oil from the generator. DO NOT use a pressure washer to clean the generator. Inspect the exterior. Make any necessary repairs.

Add fuel stabilizer to the fuel tank to prevent the gasoline from going bad. Start and run the engine for 5 minutes to ensure that the fuel stabilizer has been pulled in to the carburetor. Shut off the engine and allow the engine to cool.

Turn the generator switch to the off “O” position.

Move the generator to the storage place.

Cover the generator.

### Storage for more than 3 months

Remove any dirt, rust, grease, and oil from the generator. DO NOT use a pressure washer to clean the generator. Inspect the exterior. Make any necessary repairs.

#### **WARNING**

Gasoline is extremely flammable and is explosive under certain conditions. Drain the fuel in a well-ventilated area with the engine stopped and cool. Never smoke or allow flames or sparks in the area during this procedure.

---

Remove the fuel cap and carefully turn the generator over to pour the gasoline into an appropriate container. Reinstall the fuel cap, remove any fuel that may have spilled onto the generator, then start and run the engine until the engine stops to allow the fuel to drain from the fuel lines, carburetor, and engine system.

Change the engine oil. Refer to Engine Oil – Change.

Remove the spark plug and pour a small amount of oil into the cylinder. Install the spark plug but do not install the spark plug boot.

Turn the generator switch to the off “O” position.

Move the generator to the storage place.

Attach the trickle charger to the port on the control panel and to standard AC power to keep the generator battery fully powered for easy start after storage. Disconnect the battery charger once the battery is fully charged (indicated by a green light on the charger)

Cover the generator.

# TROUBLESHOOTING

Issue:	Possible Cause:	Solution:	Check:
<b>Engine Will Not Start</b>	Generator switch in the off "0" position	Turn the generator switch to the correct position.	Start the engine.
	Generator inclined	Move generator to a level position.	
	No fuel	Fill the fuel tank.	
	Bad or contaminated fuel	Check the fuel.	
	Not enough oil in the engine	Check the oil level. If low, add the recommended oil.	
	Dirty air filter	Clean the air filter.	
	No spark	Replace the spark plug.	
	For electric start, start the engine using the recoil starter.	If the generator starts, check the battery voltage on the LCD display. If the battery is providing less than 12.4 volts, charge the battery.	
	Oil in the combustion chamber	Remove spark plug, turn generator switch to off "O" position, pull recoil starter four times to remove oil from combustion chamber.	
If the engine still will not start:	Take the unit to an authorized service provider.		
<b>Engine Runs Rough (no load)</b>	Dirty air filter	Stop the engine and check the air filter. Clean if needed.	Start the engine / check if it runs rough.
	Generator inclined	Move generator to a level position.	
	If the engine still runs rough:	Take the unit to an authorized service provider.	
<b>Engine Shuts Down</b>	Out of fuel	Check the fuel. Fill the tank if necessary.	Start the engine / check if it shuts down.
	Not enough oil in the engine	Check the oil level. If low, add the recommended oil.	
	Dirty air filter	Clean the air filter.	
	Shut off due to CO accumulation & flashing red indicator	Follow all safety instructions on CO Action Label	
	Generator overloaded	Unplug some of the devices.	
	Shut off due to CO DEFENSE™ system fault & constant orange indicator	Take the unit to an authorized service provider.	
If the engine still shuts down:			
<b>Engine Runs Rough (with load)</b>	Dirty air filter	Stop the engine and check the air filter. Clean if needed.	Start the engine / check if it runs rough.
	Generator overloaded	Unplug some of the devices.	
	Defective device plugged in	Unplug defective device.	
	If the engine still runs rough:	Take the unit to an authorized service provider.	
<b>Engine Runs, But Generator Does Not Provide Power</b>	Generator overloaded, overload light is on	Turn off and unplug all electrical devices, shut down the engine, wait 10 minutes & start the engine, connect fewer or lighter electrical loads.	Start the engine / check for power.
	Bad connection	Stop the engine and check the connections.	
	Defective power cord	Replace the cord.	
	Defective device plugged in	Unplug defective device.	
	If there is still no power:	Take the unit to an authorized service provider.	

## SPECIFICATIONS

Engine Type	Single Cylinder, 4-Stroke, Forced Air Cooling
Displacement (cc)	212
Ignition System	Electronic
Spark Plug Gap	.028 - .032 inches (0.7 – 0.8mm)
Fuel Volume	2.1 U.S. gallon (8L)
Fuel Consumption (g/(kW·h))	≤ 395
100% load continuous running time (hr)	4.8
50% load continuous running time (hr)	8.0
Oil Capacity	0.56 quart (0.53L)
Rated Output (DC)	12V 8.3A
Rated Frequency (Hz)	60
Rated Voltage (V)	120
Rated Output Power (kW)	3.2
Surge Output Power (kW)	4.0
Phase	Single
Total Harmonic Distortion	< 3%

# COMBINED EXHAUST AND EVAPORATIVE EMISSIONS CONTROLS WARRANTY STATEMENT

## Your Warranty Rights and Obligations

The California Air Resources Board (CARB), the United States Environmental Protection Agency (EPA), and Caterpillar Inc. are pleased to explain the exhaust and evaporative emissions control system warranty on your 2019 model year small off-road engine/equipment. In the United States and California, new equipment that use small off-road engines must be designed, built, and equipped to meet stringent emissions standards. Caterpillar must warrant the emission control system on your small off-road engine/equipment for the periods of time listed below provided there has been no abuse, neglect, or improper maintenance of your small off-road engine/equipment leading to the failure of the emissions control system.

Your emissions control system may include parts such as the carburetor or fuel injection system, the ignition system, catalytic converter, fuel tanks, fuel lines (for liquid fuel and fuel vapors), fuel caps, valves, canisters, filters, clamps, and other associated components. Also included may be hoses, belts, connectors, and other emission-related assemblies.

Where a warrantable condition exists, Caterpillar will repair your small off-road engine/equipment at no cost to you including diagnosis, parts, and labor.

## Manufacturer's Warranty Coverage

This emissions control system is warranted for three years. If any emission-related part on your small off-road engine/equipment is defective, the part will be repaired or replaced by Caterpillar.

## Owner's Warranty Responsibilities

As the small off-road engine/equipment owner, you are responsible for the performance of the required maintenance listed in your owner's manual. Caterpillar recommends that you retain all receipts covering maintenance on your small off-road engine/equipment, but Caterpillar cannot deny warranty coverage solely for the lack of receipts or for your failure to ensure the performance of all scheduled maintenance.

As the small off-road engine/equipment owner, you should however be aware that Caterpillar may deny

you warranty coverage if your small off-road engine/equipment or a part has failed due to abuse, neglect, improper maintenance or unapproved modifications.

You are responsible for presenting your small off-road engine/equipment to a Caterpillar distribution center or service center as soon as a problem exists. The warranty repairs shall be completed in a reasonable amount of time, not to exceed 30 days.

If you have any questions regarding your warranty rights and responsibilities, you should contact Caterpillar at 1-844-797-6387 or E-mail: [homeandoutdoorpower@cat.com](mailto:homeandoutdoorpower@cat.com).

## Defects Warranty Requirements:

- (a) The warranty period begins on the date the engine/equipment is delivered to an ultimate purchaser.
- (b) General Emissions Warranty Coverage. Caterpillar warrants to the ultimate purchaser and each subsequent owner that the engine or equipment is:
  - (1) Designed, built, and equipped so as to conform with all applicable regulations adopted by the Air Resources Board; and
  - (2) Free from defects in materials and workmanship that causes the failure of a warranted part for a period of three years
- (c) The warranty on emission-related parts will be interpreted as follows:
  - (1) Any warranted part that is not scheduled for replacement as required maintenance in the written instructions must be warranted for the warranty period defined in Subsection (b)(2). If any such part fails during the period of warranty coverage, it must be repaired or replaced by Caterpillar according to Subsection (4) below. Any such part repaired or replaced under the warranty must be warranted for the remaining warranty period.
  - (2) Any warranted part that is scheduled only for regular inspection in the written instructions must be warranted for the warranty period defined in Subsection (b)(2). A statement in such written instructions to the effect of "repair or replace as necessary" shall advise owners of the warranty coverage for emissions related parts. Replacement within the warranty period is covered by the warranty and will not reduce the period of warranty coverage. Any such part repaired or replaced under warranty must be warranted for the remaining warranty period.
  - (3) Any warranted part that is scheduled for replacement as required maintenance in the written instructions must be warranted for the period of time prior to the first scheduled

- replacement point for that part. If the part fails prior to the first scheduled replacement, the part must be repaired or replaced by Caterpillar according to Subsection (4) below. Any such part repaired or replaced under warranty must be warranted for the remainder of the period prior to the first scheduled replacement point for the part.
- (4) Repair or replacement of any warranted part under the warranty provisions must be performed at no charge to the owner at a warranty station.
  - (5) Notwithstanding the provisions of Subsection (4) above, warranty services or repairs must be provided at distribution centers that are franchised to service the subject engine/equipment.
  - (6) The owner must not be charged for diagnostic labor that leads to the determination that a warranted part is in fact defective, provided that such diagnostic work is performed at a warranty station.
  - (7) Caterpillar is liable for damages to other engine/equipment components proximately caused by a failure under warranty of any warranted part.
  - (8) Throughout the emissions control system's warranty period set out in subsection (b)(2), Caterpillar must maintain a supply of warranted parts sufficient to meet the expected demand for such parts and must obtain additional parts if that supply is exhausted.
  - (9) Manufacturer-approved replacement parts that do not increase the exhaust or evaporative emissions of the engine or emissions control system must be used in the performance of any warranty maintenance or repairs and must be provided without charge to the owner. Such use will not reduce the warranty obligations of Caterpillar.
  - (10) Add-on or modified parts that are not exempted by the Air Resources Board may not be used. The use of any non-exempted add-on or modified parts will be grounds for disallowing a warranty claim. Caterpillar will not be liable to warrant failures of warranted parts caused by the use of a non-exempted add-on or modified part.
  - (11) Caterpillar issuing the warranty shall provide any documents that describe that warranty procedures or policies within five working days of request by the Executive Officer.
- (d) Emission Warranty Parts List for exhaust
- (1) Fuel Metering System
    - (i) Carburetor and internal parts (and/or pressure regulator or fuel injection system)
    - (ii) Air/fuel ratio feedback and control system
    - (iii) Cold start enrichment system
  - (2) Air Induction System
    - (i) Controlled hot air intake system
    - (ii) Intake manifold
    - (iii) Air filter
  - (3) Ignition System
    - (i) Spark plugs
    - (ii) Magneto or electronic ignition system
    - (iii) Spark advance/retard system
  - (4) Exhaust Gas Recirculation (EGR) System
    - (i) EGR valve body, and carburetor spacer if applicable
    - (ii) EGR rate feedback and control system
  - (5) Air Injection System
    - (i) Air pump or pulse valve
    - (ii) Valves affecting distribution of flow
    - (iii) Distribution manifold
  - (6) Catalyst or Thermal Reactor System
    - (i) Catalytic converter
    - (ii) Thermal reactor
    - (iii) Exhaust manifold
  - (7) Particulate Controls
    - (i) Traps, filters, precipitators, and any other device used to capture particulate emissions
  - (8) Miscellaneous Items Used in Above Systems
    - (i) Electronic controls
    - (ii) Vacuum, temperature, and time sensitive valves and switches
    - (iii) Hoses, belts, connectors, and assemblies.
- (e) Emissions Warranty Parts List for Evaporative Emissions
- (1) Fuel Tank
  - (2) Fuel Cap
  - (3) Fuel Lines (for liquid fuel and fuel vapors)
  - (4) Fuel Line Fittings
  - (5) Clamps\*
  - (6) Pressure Relief Valves\*
  - (7) Control Valves\*
  - (8) Control Solenoids\*
  - (9) Electronic Controls\*
  - (10) Vacuum Control Diaphragms\*
  - (11) Control Cables\*
  - (12) Control Linkages\*
  - (13) Purge Valves\*
  - (14) Gaskets\*
  - (15) Liquid/Vapor Separator
  - (16) Carbon Canister
  - (17) Canister Mounting Brackets
  - (18) Carburetor Purge Port Connector
- \*Note: As they relate to the evaporative emission control system



# WARRANTY

## CATERPILLAR LIMITED WARRANTY FOR INVERTER GENERATOR MODEL: INV4000 E Purchased in the United States and Canada

Caterpillar (Newberry) LLC. (Caterpillar) warrants to the original purchaser that any new Cat® branded portable generator products purchased in the United States and Canada are free from defects in materials and workmanship for the warranty period set forth below, provided that the product is operated and maintained in accordance with Caterpillar's instructions and manuals. Caterpillar will, at its option, repair or replace any part which, upon inspection by Caterpillar or a Caterpillar authorized service representative, is found to be defective during the warranty period as set forth below. Any product that the purchaser claims to be defective must be returned to and examined by the nearest Caterpillar authorized service representative located in the United States or Canada. Transportation and associated costs and risk of loss are the responsibility of the purchaser.

### Warranty Period:

All new inverter generator products are warranted under normal use for a period of two (2) years from the date of original purchase or 1000 operating hours, whichever occurs first. If proof of original purchase is not presented, the manufacturer's shipping date will be used to determine the start of the warranty period. To help with any warranty claims, the original purchaser should register the product on [www.cat.com/homeandoutdoorpower-support](http://www.cat.com/homeandoutdoorpower-support) immediately following the purchase.

By means of registering the product on [www.cat.com/homeandoutdoorpower-support](http://www.cat.com/homeandoutdoorpower-support) within thirty (30) days from the date of purchase, original purchasers have the option to extend the Warranty Period by one additional year for a total of three (3) years calculated from the date of original purchase of the product subject to the limitation of 1000 operating hours in total for the duration of the Warranty Period.

### This Warranty shall NOT apply to the following:

1. Damage or deterioration caused by normal wear and tear.
2. Failures caused by any external cause or act of God, such as accident, collision, theft, vandalism, riots, wars, fire, freezing, lightning, earth-quakes, windstorms, hail, volcanic eruptions, floods, tornados or hurricanes.
3. Failures due to alterations, adjustments, unauthorized fuel setting changes, neglect or improper storage, repair and/or maintenance.
4. Failures due to abuse or application of the product for uses other than for which it is designed or intended to by the manufacturer, including but not limited to, improper installation or location in a contaminated, harsh, corrosive or saltwater environment.
5. Failures resulting from attachments, accessory items, and parts not sold, issued or approved by Caterpillar.
6. Failures caused by contaminated or improper fuels, fuels, oils or other operating media or improper fluid levels.
7. Failures resulting from user's delay in making the product available after being notified of a potential product problem.
8. Cosmetic damage, discolorations, rusting, corrosion or scratches to applied paint.
9. Replacement of consumables such as, but not limited to, fuses, lamps, filters, etc.
10. Repair by any party other than a Caterpillar authorized service representative.
11. Additional expenses for repair after normal business hours, i.e. overtime or holiday labor rates.
12. Expenses for rental of equipment during downtime and/or performance of warranty repairs.
13. Expenses related to investigating performance complaints and/or troubleshooting where no manufacturing defect is found.
14. Starting batteries are NOT covered under this warranty but will be covered under the portable generator parts warranty.

To obtain warranty service or if you have questions concerning this warranty or its applications, please call 1-844-797-6387 or visit [www.cat.com/homeandoutdoorpower-support](http://www.cat.com/homeandoutdoorpower-support), where you can also search for your nearest authorized Cat service representative.

## CONSUMER ARBITRATION CLAUSE: MANDATORY BINDING INDIVIDUAL ARBITRATION INSTEAD OF COURT; CLASS ACTION WAIVER

- a. You and Caterpillar both agree that, to the extent permitted by applicable law, any and all disputes or claims arising out of or relating in any way to Cat Branded portable generator products or services related thereto, or from any advertising for any such products or services, including any question regarding the existence, validity, or termination of this Caterpillar Limited Warranty, as well as any issue regarding the interpretation of the terms and conditions of this Consumer Arbitration Clause will be resolved by binding arbitration before a sole arbitrator, rather than in court, except that you may assert claims in small claims court if your claims qualify. This also includes any claims that arose before you accepted this Caterpillar Limited Warranty, regardless of whether prior versions of the Limited Warranty required arbitration. In the US, The Federal Arbitration Act (9 U.S.C. § 1 *et seq.*) and federal arbitration law apply to the Caterpillar Limited Warranty and the terms and conditions of this Consumer Arbitration Clause.
- b. Arbitration uses a neutral arbitrator instead of a judge and jury. An arbitrator can award on an individual basis the same damages and relief as a court (including injunctive and declaratory relief or statutory damages) and must follow the terms of this Limited Warranty (including the terms and conditions of this Consumer Arbitration Clause) as a court would. Arbitration procedures allow for more limited discovery, and court review of an arbitration award is limited.
- c. If you have a dispute and elect to seek arbitration or file a claim in small claims court, you must first send to Caterpillar, by certified mail, a written notice of your claim that (a) describes the nature and basis of the claim or dispute; (b) sets forth the specific relief sought and (c) includes a physical address and email address where you may be reached ("Notice"). The Notice must be addressed to: General Counsel, Caterpillar Inc., 100 N.E. Adams St. Peoria Illinois 61629 ("Notice Address") and reference a "Notice of Claim under Caterpillar Limited Warranty." If Caterpillar and you do not reach an agreement to resolve the claim within 60 days after the Notice is received, you or Caterpillar may commence an arbitration proceeding or file a claim in small claims court.
- d. You may download or copy a form to initiate arbitration at [www.adr.org](http://www.adr.org). If you are required to pay a filing fee, after Caterpillar receives notice at the Notice Address that you have commenced arbitration, Caterpillar will reimburse you for your payment of the filing fee, unless your claim is for greater than US\$25,000, in which case you will be responsible for filing fees.
- e. The arbitration will be governed by the AAA's then current Consumer Arbitration Rules, as modified by the terms set forth in this Limited Warranty (including the terms and conditions of this Consumer Arbitration Clause), and will be administered by the AAA. The AAA Rules and Forms are available online at



[www.adr.org](http://www.adr.org) or by calling the AAA at 1-800-778-7879. In the event of any conflict between the terms set forth herein and the AAA Consumer Arbitration Rules, these terms will apply.

- f. If your claim totals less than US\$25,000, Caterpillar will pay for all administrative and arbitration fees, including the arbitrator's compensation, and will reimburse you for any administrative and arbitration fees that you incur. If your claim exceeds US\$25,000, the parties will pay equal shares of any administrative and arbitration fees, including the arbitrator's compensation, except for such fees that the AAA Consumer Arbitration Rules require Caterpillar to pay in full. Each party will bear the expense of its own counsel, experts, witnesses, and preparation and presentation of evidence at any arbitration hearing.
- g. If your claim is for US\$25,000 or less, you and Caterpillar agree that you may choose whether the arbitration will be conducted solely on the basis of documents or through a telephonic hearing. You may also request an in-person hearing, which the arbitrator may grant at his or her discretion. If the arbitrator grants an in-person hearing, such hearing will be conducted either at a mutually agreed location or a location determined by the AAA or the arbitrator. In such an in-person hearing, the parties, or any of their witnesses, have the right to participate remotely by way of videoconference or some similar means. If your claim exceeds US\$25,000, the right to a hearing will be determined by the arbitrator.
- h. You and Caterpillar agree that, to the extent permitted by applicable law, any dispute resolution proceedings, whether in court or before an arbitrator, will be conducted only on an individual basis and not in a class, representative, consolidated, or mass action. Neither you nor Caterpillar may join or consolidate claims by or against a third party, or arbitrate or otherwise participate in any claim as a class representative, class member or in a private attorney general capacity. If this provision is found to be unenforceable, then the entirety of the terms and conditions of these Dispute Resolution and Arbitration paragraphs (other than paragraph (k)) shall be null and void.
- i. Any arbitration will be confidential. Neither you, Caterpillar, the AAA, nor the arbitrator may disclose the existence, content (including any oral or written submissions), or results of any arbitration, except as may be required by law or for purposes of enforcing or challenging of the arbitration award.
- j. You may opt out of this dispute resolution procedure by providing written notice to Caterpillar at the Notice Address no later than 30 calendar days from the date of your purchase of Caterpillar products or services (or date of first use, in the case of free products or services) covered by this Limited Warranty. Opting out of this dispute resolution procedure will not otherwise affect the coverage or applicability of the Limited Warranty, or your ability to purchase or use Cat branded portable generator products or services, in any way.
- k. If for any reason a claim proceeds in court rather than in arbitration or small claims court, including if you opt out under paragraph (j), to the extent permitted by applicable law, we each waive any right to a jury trial and agree that any such proceeding shall be conducted only on an individual basis and not in a class, representative, consolidated, or mass action. Under such circumstances, you and Caterpillar agree that, to the extent any dispute arises out of a Cat branded portable generator sold in the US, the federal and state courts of the State of Illinois have exclusive jurisdiction to hear and determine any such claim, consent to the personal jurisdiction of any federal or state court in the State of Illinois, and acknowledge that venue is proper in any judicial district within the State of Illinois. If any part of these Dispute Resolution and Arbitration provisions or this paragraph (k) is found to be unenforceable, the remainder of these Dispute Resolution and Arbitration Provisions and this paragraph (k) shall still be given full force and effect.
- l. In the event that any provision of this agreement is found to be invalid or unenforceable in a particular case or jurisdiction, that provision will be severable in that case or jurisdiction, as the case may be, without affecting the validity and enforceability of the remaining provisions of the agreement, and shall not affect the validity and enforceability of the agreement in other cases and jurisdictions.

#### Applicable Law

- m. By purchasing or using any Cat branded portable generator product or service related thereto, you agree that, to the degree permitted by applicable law, the Federal Arbitration Act, applicable federal law, and laws of the State of Illinois, without regard to its conflict of laws rules, will govern the terms of this Limited Warranty, as well as any dispute of any sort that might arise between you and Caterpillar relating to such products or services.
- n. If a dispute arises out of a Cat branded portable generator sold in Canada the foregoing dispute resolution and arbitration terms will apply to the extent permitted by applicable law. If the foregoing

terms are not binding upon you under the applicable law of your jurisdiction, and the dispute is within the jurisdiction of the small claims court in your province, you may choose to take your claim to that court. If the dispute exceeds the jurisdiction of the small claims court in your province, you agree to submit to the jurisdiction of the courts within your province for the purpose of litigating all claims, disputes, actions or causes of action, issues or requests for relief arising out of or relating to this Limited Warranty, which courts shall have exclusive jurisdiction over all such claims, disputes, actions or causes of action, issues or requests for relief.

#### Limitations

THIS WARRANTY IS IN PLACE OF ALL OTHER WARRANTIES, EXPRESSED OR IMPLIED. SPECIFICALLY, CATERPILLAR MAKES NO OTHER WARRANTIES AS TO THE MERCHANTABILITY OR FITNESS FOR A PARTICULAR PURPOSE. CATERPILLAR'S ONLY LIABILITY SHALL BE THE REPAIR OR REPLACEMENT OF PART(S) AS STATED ABOVE. IN NO EVENT SHALL CATERPILLAR BE LIABLE FOR ANY INCIDENTAL OR CONSEQUENTIAL DAMAGES, EVEN IF SUCH DAMAGES ARE A DIRECT RESULT OF CATERPILLAR'S NEGLIGENCE.

This warranty is subject to and shall not apply in contravention of the laws or other legal compliance requirements of the United States or any other applicable jurisdiction, without recourse or liability with respect to Caterpillar. Some states do not allow the exclusion or limitation of incidental or consequential damages, so the above limitation may not apply to you. This warranty gives you specific legal rights. You may also have other rights from state to state, or territory.

In USA and Canada: Caterpillar Newberry LLC, Electric Power Division, 40 Mawsons Way, SC 29108-6400, Attention: Customer Service Manager, Telephone (844)-797-6387. Outside the USA and Canada: Contact your Authorized Service Representative [www.cat.com/homeandoutdoorpower-support](http://www.cat.com/homeandoutdoorpower-support) or email [homeandoutdoorpower@cat.com](mailto:homeandoutdoorpower@cat.com).

©2019 Caterpillar All Rights Reserved. CAT, CATERPILLAR, their respective logos, "Caterpillar Yellow" the "Power Edge" trade dress as well as corporate and product identity used herein, are trademarks of Caterpillar and may not be used without permission. [www.cat.com/homeandoutdoorpower](http://www.cat.com/homeandoutdoorpower)



©2019 Caterpillar  
All Rights Reserved

CAT, CATERPILLAR, their respective logos, "Caterpillar Yellow", and the POWER EDGE trade dress as well as corporate and product identity used herein, are trademarks of Caterpillar and may not be used without permission.



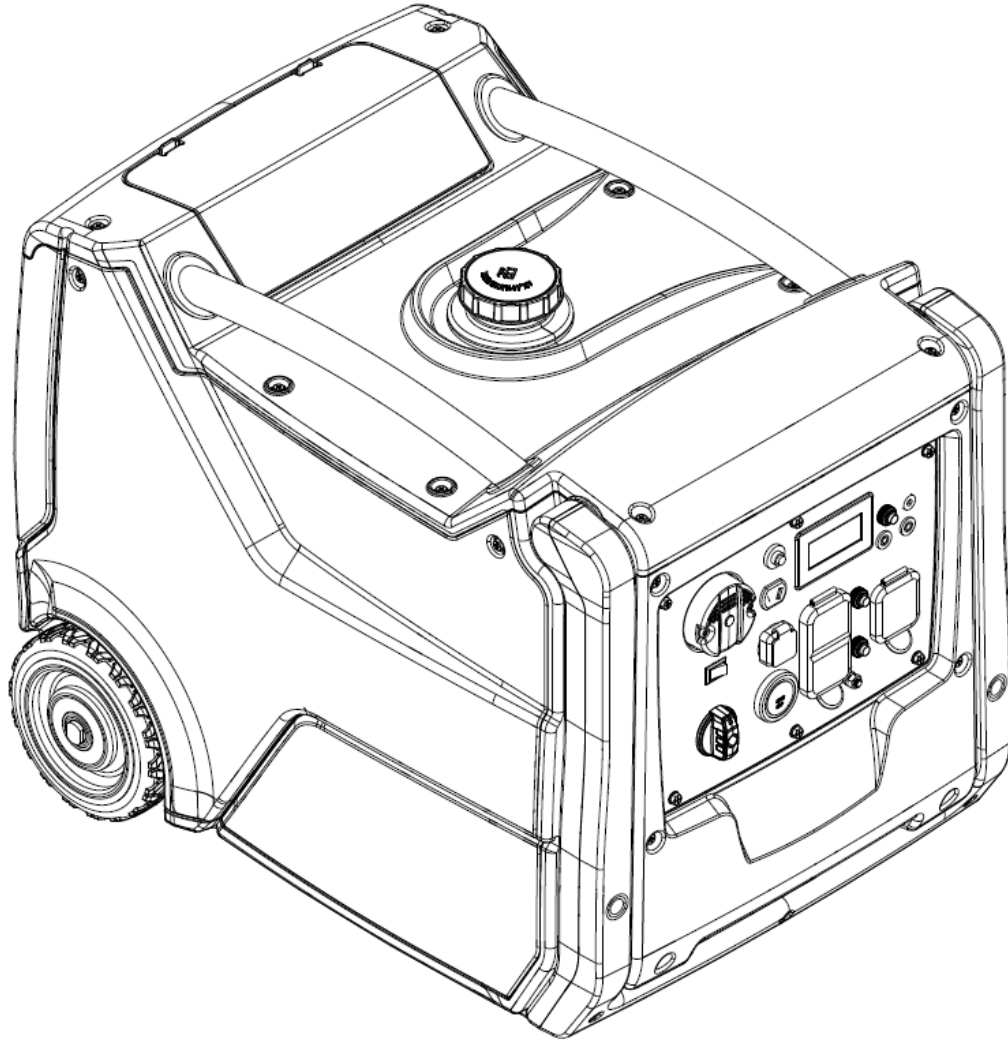
# Manual del propietario

---

INV4000 E


Generador portátil

---



## Información importante de seguridad

La mayoría de los accidentes relacionados con la operación, el mantenimiento y la reparación del producto se deben a la falta de cumplimiento de reglas de seguridad o precauciones básicas. Con frecuencia es posible evitar accidentes si se reconocen antes las posibles situaciones de peligro. La persona debe estar alerta a los posibles peligros, incluyendo los factores humanos que puedan afectar a la seguridad. Esta persona deberá también tener la formación, habilidades y herramientas necesarias para llevar a cabo las tareas adecuadamente.

Encontrará precauciones y advertencias de seguridad en este manual y en el producto mismo. Si no hace caso de estas advertencias de peligro, usted o terceras personas podrían sufrir lesiones, incluso mortales. Los peligros se identifican con el “Símbolo de alerta de seguridad”  y van seguidos de una “Palabra señalizadora”, como “PELIGRO”, “ADVERTENCIA” o “PRECAUCIÓN”.

Caterpillar no puede prever todas las circunstancias que puedan implicar un peligro potencial. Las advertencias de este manual y las situadas sobre el producto no incluyen todas las posibles circunstancias. En ningún caso debe utilizar este producto de forma diferente a la indicada en este manual, sin haberse asegurado antes de haber considerado todas las normas y precauciones de seguridad relacionadas con la operación del producto en el lugar de uso, incluyendo normas y precauciones específicas aplicables en el lugar de trabajo. Si usa una herramienta, procedimiento, método de trabajo o técnica que no haya recomendado explícitamente Caterpillar, deberá asegurarse usted mismo de que es seguro para usted y para los demás. También deberá asegurarse de que está autorizado a realizar ese trabajo y de que el producto no sufrirá daños ni resultará peligroso debido a las tareas de funcionamiento, lubricación, mantenimiento o reparación que pretenda realizar.

La información, especificaciones e ilustraciones de este manual se basan en la información disponible en el momento de su redacción. Las especificaciones, pares, presiones, medidas, ajustes, ilustraciones y otros elementos pueden variar en cualquier momento. Estos cambios pueden afectar al mantenimiento del producto. Consiga la información más actualizada y completa antes de comenzar cualquier trabajo.

En los Estados Unidos, el mantenimiento, reemplazo o reparación de los dispositivos y sistemas de control de emisiones puede ser realizado por cualquier establecimiento de reparación o persona de la elección del propietario.

Este manual ofrece información sobre seguridad, operación y mantenimiento. El manual deberá guardarse cerca del producto. Lea atentamente el manual y guárdelo junto con el resto de la documentación del producto.

### Cláusula de arbitraje del consumidor

La Garantía Limitada, incluida en esta Guía de Usuario, contiene términos legales importantes de manera enunciativa, más no limitativa, a la Cláusula Arbitral del Consumidor requiriendo el arbitraje individual obligatorio y renunciando al derecho de presentar demandas colectivas. Favor de leer cuidadosamente.

### Advertencia: Proposición 65 del estado de California



#### ADVERTENCIA

Este producto y los accesorios relacionados con él pueden exponerlo a químicos como el benceno, conocido por el estado de California como causante de cáncer y defectos de nacimiento u otros daños reproductivos. Para obtener más información, visite [www.P65Warnings.ca.gov](http://www.P65Warnings.ca.gov). Para reducir el riesgo de ser víctima de alguno de estos peligros para la salud, evite inhalar los humos del aceite, la gasolina y el escape del motor. Lávese las manos después de su uso.

# Índice

Cláusula de arbitraje del consumidor .....	2
Advertencia: Proposición 65 del estado de California .....	2
AVISOS DE SEGURIDAD .....	5
Otros avisos .....	6
Requisitos especiales .....	6
IDENTIFICACIÓN DE COMPONENTE .....	7
Modelo de motor y número de serie .....	8
INSTRUCCIONES PARA EL PRIMER USO .....	9
Aceite .....	9
Combustible .....	9
Soportes de carruaje .....	9
Conexión de la batería .....	10
Inspección visual .....	10
CONTROLES .....	11
Pantalla LCD inteligente .....	11
Descripción general .....	11
Indicador de bajo nivel de combustible .....	11
Indicador de servicio .....	11
Indicador de sobrecarga .....	11
Indicador de bajo nivel de aceite .....	11
Indicador de bajo voltaje de la batería .....	11
Interruptor del generador .....	11
Sistema de CO DEFENSE™ y Sistema de apagado (si está disponible) .....	12
Entradas paralelas .....	12
Arrancador eléctrico .....	12
Interruptor de control inteligente del motor (ESC) .....	12
Botón de reajuste de sobrecarga .....	13
Interruptor de CA/CC .....	13
120 VCA, 20 A, GFCI doble .....	13
Bloqueo de 120 VCA, 30 A .....	13
12 Voltios de CC .....	13
Entradas USB .....	13
Desconexión por bajo nivel de aceite .....	13
OPERACIÓN DEL GENERADOR .....	14
Condiciones óptimas para el funcionamiento del generador .....	14
Conexión a la red eléctrica doméstica .....	14
Puesta a tierra del generador .....	14
Utilización con CA (corriente alterna) .....	14
Kits para altitudes elevadas .....	14
ANTES DE ARRANCAR EL MOTOR .....	14

Aceite de motor.....	14
Revisión del nivel de combustible .....	14
ARRANQUE DEL MOTOR.....	15
Arranque con retroceso .....	15
Arranque eléctrico (si procede).....	15
PARAR EL MOTOR.....	15
MANTENIMIENTO.....	15
Inspección del generador .....	16
Comprobación del filtro de aire.....	16
Limpieza de la cabeza del cilindro.....	16
Comprobación del nivel de aceite de motor .....	16
Sustitución del aceite de motor .....	17
Inspección y ajuste del juego de las válvulas del motor.....	17
Sustitución del conducto de combustible .....	17
Limpieza del filtro y el tapón del depósito de combustible .....	17
Inspección/limpieza/sustitución del apagachispas .....	17
Inspección/ajuste/sustitución de la bujía .....	18
Inspección visual .....	18
ALMACENAMIENTO .....	19
Almacenamiento entre 1 y 3 meses .....	19
Almacenamiento por más de 3 meses .....	19
RESOLUCIÓN DE PROBLEMAS .....	20
ESPECIFICACIONES.....	21
DECLARACIÓN DE GARANTÍA DE LOS CONTROLES DE EMISIONES COMBINADAS DE ESCAPE Y DE EVAPORACIÓN .....	22
Derechos y obligaciones de la garantía .....	22
Cobertura de la garantía del fabricante .....	22
Responsabilidades del propietario .....	22
Requisitos para la garantía por defectos:.....	22
GARANTÍA.....	24
CLÁUSULA DE ARBITRAJE DEL CONSUMIDOR: OBLIGACIÓN DE ARBITRAJE INDIVIDUAL VINCULANTE EN VEZ DE JUICIO; RENUNCIA A DEMANDAS COLECTIVAS .....	24

## AVISOS DE SEGURIDAD

En su generador encontrará diversos avisos específicos de seguridad. Familiarícese con todos estos avisos.

Asegúrese de que estos avisos se pueden leer sin problemas. Mantenga los avisos de seguridad limpios y sustitúyalos cuando no sea posible leer el texto o ver los dibujos. Utilice un paño con agua y jabón para limpiarlos. No utilice disolventes, gasolina o productos químicos agresivos. Los disolventes, la gasolina o los productos químicos agresivos podrían desprender el adhesivo que sujeta los avisos de seguridad.

Si falta algún aviso de seguridad o está dañado, sustitúyalo. Si sustituye una pieza del generador que tiene un aviso de seguridad, coloque un nuevo aviso de seguridad en la pieza de repuesto.



**Lea el manual**

### ADVERTENCIA

No utilice ni realice trabajos en el generador sin antes haber leído y comprendido las instrucciones y advertencias de este manual de usuario. De lo contrario, podría sufrir lesiones incluso mortales. Es su responsabilidad actuar con cuidado.

### Superficie caliente / No tocar / Material inflamable



### ADVERTENCIA

Las piezas o componentes calientes podrían causar quemaduras o lesiones. Las piezas o componentes calientes no deben entrar en contacto con la piel. Utilice ropa o equipos de protección para proteger la piel. El escape caliente representa un posible peligro de incendio. Asegúrese de que no haya ningún elemento inflamable a 1.5 metros o menos de distancia del escape.



## Monóxido de carbono

**⚠ PELIGRO**

**Using a generator indoors CAN KILL YOU IN MINUTES.**

**Generator exhaust contains carbon monoxide. This is a poison you cannot see or smell.**

**NEVER use inside a home or garage, EVEN IF doors and windows are open.**

**Only use OUTSIDE and far away from windows, doors, and vents.**

**⚠ DANGER**

Utiliser un générateur à l'intérieur PEUT VOUS TUER EN QUELQUES MINUTES. Les gaz d'échappement du générateur contiennent du monoxyde de carbone. C'est un gaz toxique invisible et inodore.

- NE JAMAIS utiliser à l'intérieur d'une maison ou d'un garage, MÊME SI les portes et les fenêtres sont ouvertes.
- Utiliser UNIQUEMENT à l'EXTÉRIEUR et loin des fenêtres, portes et ventilations.

**⚠ PELIGRO**

Si usa un generador en interiores, MORIRÁ EN POCOS MINUTOS. El escape del generador contiene monóxido de carbono. Es un veneno que no tiene olor ni se puede ver.

- NUNCA lo use dentro de una casa o garaje. AUN si las puertas y ventanas están abiertas.
- Sólo úselo en EXTERIORES y lejos de ventanas, puertas y ductos de ventilación.

CO DEFENSE	⚠ WARNING	⚠ AVERTISSEMENT	⚠ ADVERTENCIA
<ul style="list-style-type: none"> <li>• CARBON MONOXIDE SHUTOFF SYSTEM IN USE.</li> <li>• SYSTÈME D'ARRÊT POUR DÉTECTION DE MONOXYDE DE CARBONE EN SERVICE.</li> <li>• SISTEMA DE CORTE DE MONÓXIDO DE CARBONO EN USO.</li> </ul>	<ul style="list-style-type: none"> <li>• FLASHING RED INDICATOR - AUTOMATIC SHUTOFF EVENT. YOU MUST: Leave area immediately and relocate to an open outdoor area. Ventilate area thoroughly before occupying again. Ensure the generator is located in an open outdoor area.</li> <li>• MOVE TO FRESH AIR AND GET MEDICAL HELP IF SICK, DIZZY OR WEAK.</li> </ul>	<ul style="list-style-type: none"> <li>• VOYANT ROUGE CLIGNOTANT = ÉVÈNEMENT ENTRAÎNANT UN ARRÊT AUTOMATIQUE. VOUS DEVEZ: Quitter immédiatement la zone et vous rendre dans un lieu extérieur en plein air. Bien ventiler la zone avant d'occuper les lieux de nouveau. S'assurer que le générateur est placé dans un lieu extérieur en plein air.</li> <li>• ALLEZ À L'AIR LIBRE ET CONSULTEZ UN MÉDECIN SI VOUS SENTEZ MAL, ÉTOURDI OU FAIBLE.</li> </ul>	<ul style="list-style-type: none"> <li>• EL INDICADOR ROJO PÁRPADEA = EVENTO DE APAGADO AUTOMÁTICO. USTED DEBE: Abandone el área de inmediato y vaya a un lugar al aire libre. Ventile bien el área antes de volver a ocuparla. Asegúrese de que el generador está ubicado en un lugar al aire libre.</li> <li>• TOMAR AIRE FRESCO Y BUSCAR AYUDA MÉDICA EN CASO DE SENTIRSE MAL, MAREADO O DÉBIL.</li> </ul>
<ul style="list-style-type: none"> <li>• DIRECT ENGINE EXHAUST AWAY FROM OCCUPIED STRUCTURES. MUEVA EL ESCAPE DEL MOTOR LEJOS DE LAS ESTRUCTURAS OCUPADAS.</li> </ul>	<ul style="list-style-type: none"> <li>• CONSTANT ORANGE INDICATOR - SYSTEM FAULT CONTACT DEALER.</li> <li>• TAMPERING WITH CO DEFENSE COULD RESULT IN A HAZARDOUS CONDITION</li> </ul>	<ul style="list-style-type: none"> <li>• VOYANT ORANGE FIXE - DÉFAILLANCE DU SYSTÈME. COMMUNIQUEZ AVEC LE DÉPOSITAIRE.</li> <li>• L'ALTÉRATION DE CO DEFENSE PEUT ENTRAÎNER DES CONDITIONS DANGEREUSES</li> </ul>	<ul style="list-style-type: none"> <li>• INDICADOR NARANJA DE CONTACTO = FALLA DEL SISTEMA. COMUNIQUESE CON EL DISTRIBUIDOR.</li> <li>• HACER ALTERACIONES CON CO DEFENSE PODRÍA OCASIONAR CONDICIONES PELIGROSAS</li> </ul>

El uso de un generador en interiores podría matarlo en pocos minutos. El escape del generador contiene monóxido de carbono. El monóxido de carbono es un veneno que no tiene olor ni se puede ver. Nunca lo use dentro de una casa o garaje, aunque las puertas y ventanas estén abiertas. Úselo sólo en exteriores y lejos de ventanas, puertas y respiraderos. Verifique siempre que el escape del motor no esté en dirección a estructuras ocupadas. Si experimenta mareos, dolores de cabeza, náuseas o fatiga retírese inmediatamente para respirar aire fresco y busque atención médica. Ventile bien el área antes de volver a ocuparla.

El sistema de corte de monóxido de carbono (si está disponible) no sustituye a un funcionamiento seguro del generador. No ajuste ni modifique el sistema de corte de monóxido de carbono. El incumplimiento de estas instrucciones podría ocasionar fallas en el sistema, las cuales podrían resultar en condiciones peligrosas.



## Descarga eléctrica

### ⚠ PELIGRO

Peligro de descarga eléctrica o electrocución: No utilice ni realice trabajos en este equipo sin antes haber leído y comprendido las instrucciones y advertencias de este manual de usuario. De lo contrario, podría sufrir lesiones incluso mortales.

### ⚠ ADVERTENCIA

El funcionamiento de este equipo puede generar chispas que pueden provocar incendios en torno a vegetación seca. Puede requerirse un apagachispas. El operario debe ponerse en contacto con los organismos locales de bomberos para obtener información sobre las leyes o reglamentos relacionados con los requisitos de prevención de incendios.

### ⚠ ADVERTENCIA

La retroalimentación hacia el sistema de distribución de la red eléctrica puede ocasionar daños materiales y lesiones severas o mortales.

Advertencia de retroalimentación eléctrica. No conecte el generador al sistema eléctrico del edificio a menos que use un interruptor de aislamiento (transferencia) instalado por un electricista certificado y con licencia. Código CA H&S 119075 y 119080.

## Otros avisos

	<b>No utilizar en condiciones de humedad</b>
	<b>No fume, evite acercar llamas abiertas o chispas.</b>
	<b>Mantenga un mínimo de distancia de 5 pies (1.5 metros) de otros objetos.</b>
	<b>Asegurarse de que la puesta a tierra del equipo es correcta.</b>
	<b>Conexión a tierra</b>

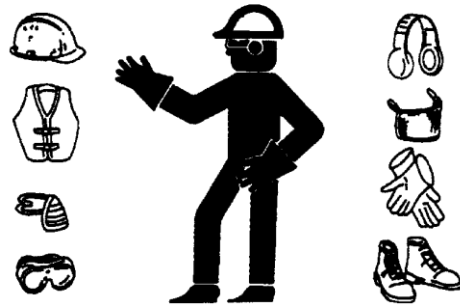
## Requisitos especiales

Los equipos eléctricos, incluyendo los cables y enchufes, deben taparse y protegerse de la humedad.

En todas las instalaciones de grupos electrógenos, el bastidor del generador debe estar puesto a tierra. Para ello cuenta con un borne de puesta a tierra.

El INV4000 E cuenta con un conductor neutro permanente fijo al bastidor.

Para 120 VAC, use cables de extensión clasificados para 125 V a 20 A o más. Utilice el cable de extensión más corto posible que cumpla estas características.

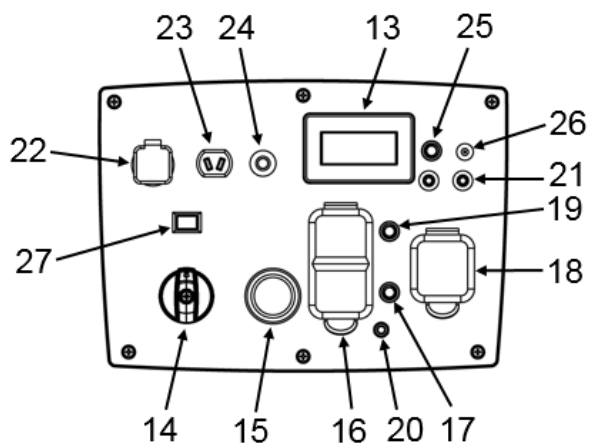
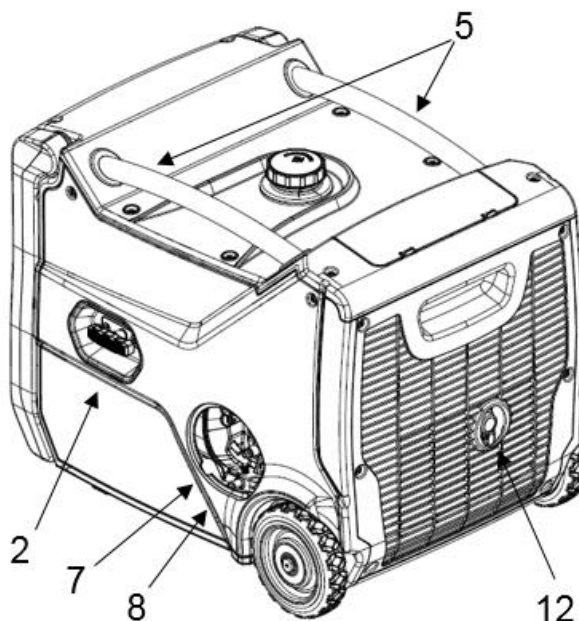
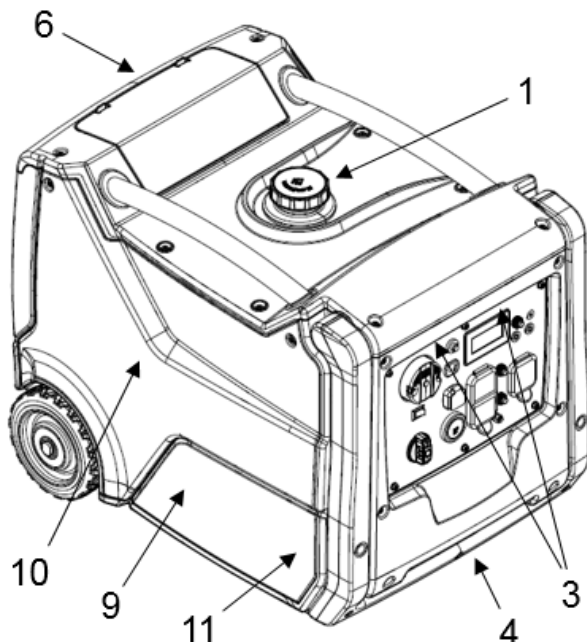


- Utilice casco, lentes protectores y otros equipos de protección según sea necesario.
- Si está trabajando cerca de un motor en funcionamiento, utilice protección auditiva para evitar daños en los oídos.
- No lleve ropa holgada o joyas que se puedan quedar enganchadas en los controles u otras partes del motor.
- Asegúrese de que todas las protecciones y cubiertas están correctamente colocadas en el motor.
- No utilice recipientes de vidrio para los fluidos de mantenimiento. Los recipientes de vidrio podrían romperse.
- Utilice con cuidado todos los productos de limpieza.

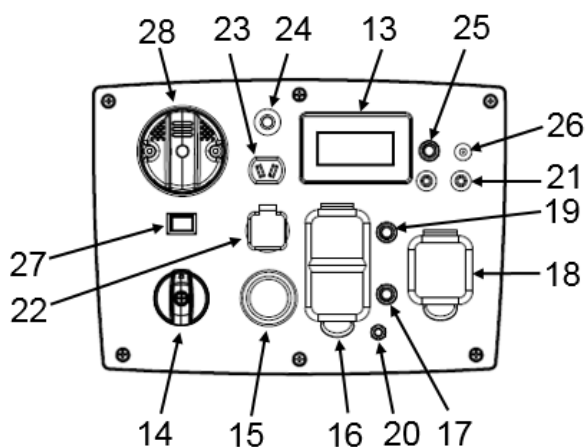
Los interruptores de circuito tienen que ser adecuados a las especificaciones del generador. Si hay que sustituir los interruptores de circuito, los interruptores de circuito nuevos deberán tener las mismas características técnicas.



## IDENTIFICACIÓN DE COMPONENTE



Panel sin sistema de CO DEFENSE™



Panel con sistema de CO DEFENSE™

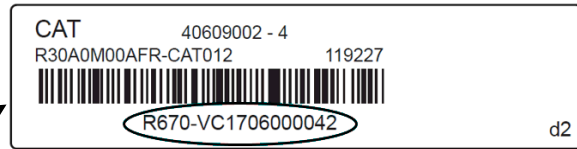
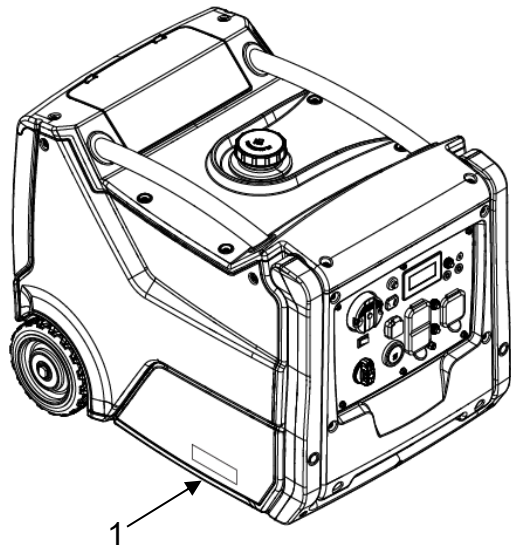
- 1) Tapón del depósito de combustible
- 2) Arrancador retráctil
- 3) Luces LED del panel
- 4) Manija plegable
- 5) Agarraderas de transporte
- 6) Compartimiento de herramientas
- 7) Indicador de aceite/lleñado de aceite\*
- 8) Vaciado de aceite\*
- 9) Conjunto del filtro de aire\*\*
- 10) Bujía\*\*
- 11) Batería\*\*
- 12) Apagachispas
- 13) Pantalla LCD inteligente
- 14) Interruptor del generador
- 15) Arrancador eléctrico
- 16) Toma – dúplex 120 VCA GFCI

- 17) Cortacircuitos de CA (corriente alterna)
- 18) Toma – 120 VCA
- 19) Cortacircuitos de CA principal
- 20) Borne de puesta a tierra
- 21) Entradas paralelas
- 22) Entrada doble para USB
- 23) Toma de –12 V CA, 8.3 A
- 24) Cortacircuitos de CC
- 25) Botón de reajuste de sobrecarga
- 26) Puerto de carga por goteo
- 27) Interruptor de control inteligente del motor (ESC)
- 28) Sistema de CO DEFENSE™ (si está disponible)

\*detrás de la tapa de acceso al motor

\*\*detrás del panel lateral

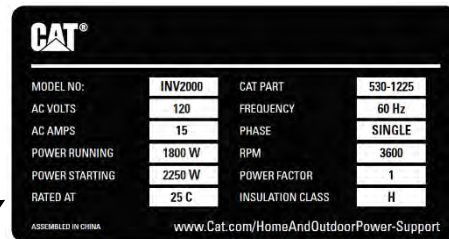
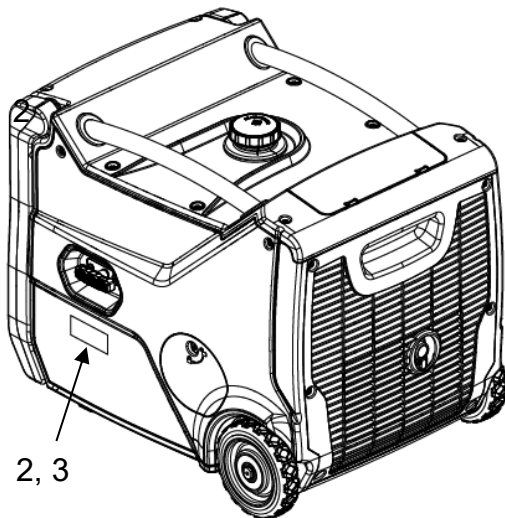
## Modelo de motor y número de serie



1



3



2

Los generadores portátiles Cat® se identifican mediante números de modelo, números de serie y números de especificaciones de rendimiento. El número de modelo y las especificaciones de rendimiento están situados en la placa de potencia (2) o en la placa de potencia CSA (3). El número de serie está situado en la placa del número de serie (1).

# INSTRUCCIONES PARA EL PRIMER USO

## Aceite

**Nota:** El generador se entrega sin aceite en el motor, por lo tanto, agregue la cantidad necesaria antes del primer uso.

Siga las instrucciones de comprobación del nivel de aceite del motor para añadir la cantidad de aceite adecuada según las especificaciones.

## Combustible

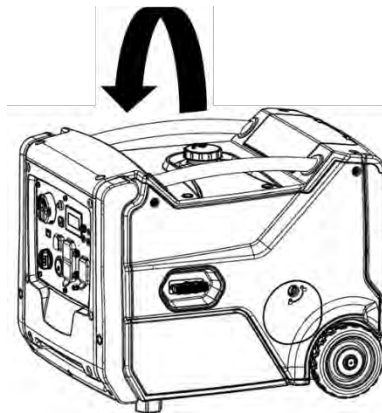
Siga las instrucciones de comprobación del nivel de combustible para añadir la cantidad adecuada para la unidad según se explica en las especificaciones.

## Soportes de carruaje

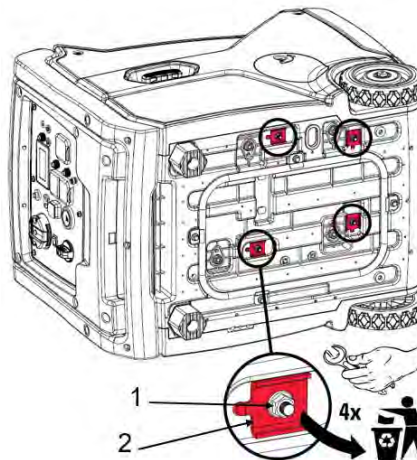
El generador tiene 4 soportes de carro rojos instalados debajo de la base para evitar daños causados por un manejo áspero durante el transporte.

**IMPORTANTE:** Se deben quitar estos antes de utilizarlos, de lo contrario, la unidad vibrará excesivamente y se pueden producir daños.

Para quitar los soportes de carruaje:

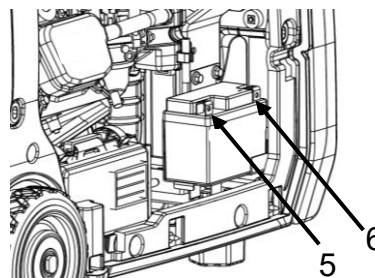
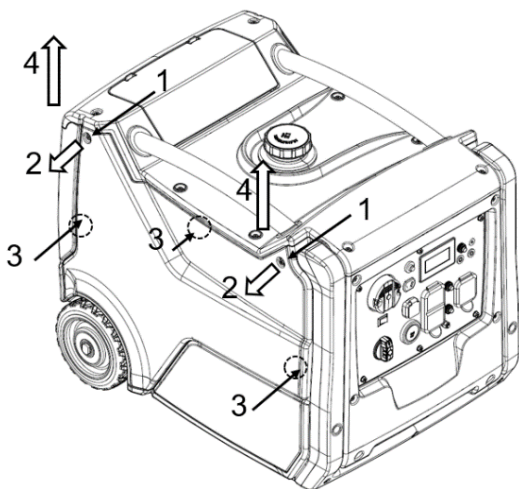


1. Coloque suavemente el generador de costado (con la manija de retroceso orientada hacia up). Coloque un poco de espuma de embalaje debajo del generador para evitar daños.



2. Con el llave proporcionado, quite las 4 tuercas (1) y los 4 soportes de carro rojos (2). Los prisioneros que sujetan los soportes de carruaje pueden permanecer en su lugar.

## Conexión de la batería



El generador está equipado con una batería de ion-litio interna montada en el soporte correspondiente. La batería está desconectada. Deberá conectarla antes del primer uso.

Para acceder a la batería:

1. Desatornille los 2 elementos de fijación (1) que se encuentran en la parte superior del panel lateral. Recuerde que son elementos cautivos y no puede quitarlos por completo del panel lateral.
2. Jale los elementos de fijación en la dirección que se muestra (2) para liberar la parte superior del panel lateral.
3. Jale el panel hasta que salgan los elementos de fijación escondidos (3).

**Importante:** deje de jalar una vez que los elementos de fijación (3) hayan salido, de lo contrario podría dañar las lengüetas que se encuentran en la parte inferior del panel lateral.

4. Para sacar el panel lateral por completo, levántelo en dirección vertical (4) para liberar las lengüetas inferiores.

Para conectar la batería:

1. El cable positivo de la batería (5) ya está conectado.
2. Conecte el cable con el tapón negro al borne negativo de la batería (6).
3. Para facilitar el de corriente en la conexión, se puede quitar la batería soltando la correa de goma de la batería.

Vuelva a colocar el panel lateral siguiendo los pasos al revés antes del primer uso.

## Inspección visual

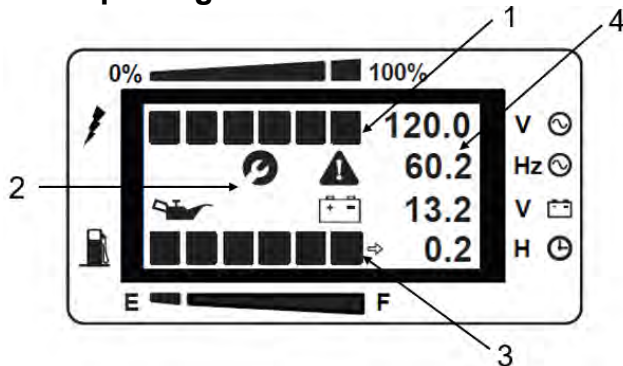
Antes de cada uso, realice una inspección visual tal y como se indica más adelante.

# CONTROLES

## Pantalla LCD inteligente

El generador incluye una pantalla LCD inteligente multifunción para monitorear en tiempo real la salida de potencia, el uso de combustible y proporcionar al usuario alertas de información sobre situaciones de mantenimiento y fallas básicas.

### Descripción general

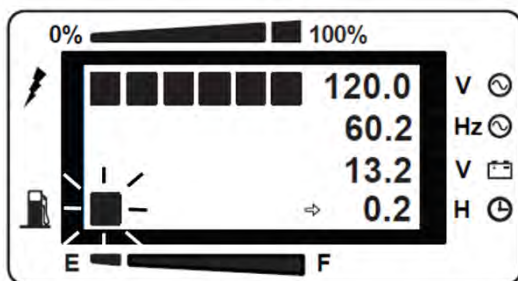


- (1) Uso de potencia: se muestran hasta 6 barras con un rango de carga entre 0% y 100%
- (2) Símbolos indicadores: servicio de aceite, sobrecarga, bajo nivel de aceite, baja tensión de batería
- (3) Nivel de combustible: se muestran hasta 6 barras con un rango de nivel de combustible entre 0% y 100%
- (4) Lecturas del medidor: voltaje de CA, frecuencia, voltaje de CC de la batería, horas de funcionamiento\*.

\*Las horas que aparecen automáticamente se alternan entre dos lecturas:

- a) Con una flecha: horas restantes según la carga actual y el nivel restante de combustible.
- b) Sin la flecha: total de horas acumuladas desde nuevo.

### Indicador de bajo nivel de combustible



Cuando el nivel de combustible cae debajo de 0.3 gal (1.2 L) la primera barra del nivel de combustible parpadeará. Si la unidad está en

funcionamiento, el indicador de horas restantes comenzará la cuenta regresiva hasta el 0 antes de que la unidad se apague. Si arranca la unidad con menos de 0.3 gal (1.2 L), la primera barra parpadeará y el indicador de horas restantes mostrará 0 hrs.

### Indicador de servicio

El indicador de servicio estará visible durante 1 hora cuando las horas acumuladas alcancen los siguientes valores: 20 hs, 100 hs, y después cada 100 hs a partir de ahí.

### Indicador de sobrecarga

El indicador de sobrecarga se iluminará cuando haya un cortocircuito en una carga conectada o el generador se encuentre con sobrecarga.

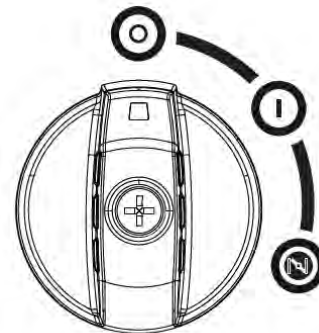
### Indicador de bajo nivel de aceite

El indicador de bajo nivel de aceite se iluminará, y la unidad se apagará, cuando no haya suficiente cantidad de aceite en el cárter

### Indicador de bajo voltaje de la batería

El indicador de baja batería se ilumina cuando el voltaje baja a menos de 11.0 voltios. Es probable que la unidad no arranque con el encendido eléctrico, pero sí con el arranque retráctil.

### Interruptor del generador



Coloque el interruptor del generador en la posición del estrangulador cuando arranque el motor. Consulte el apartado Arranque del motor.

Coloque el interruptor del generador en la posición de encendido "I" una vez que haya arrancado.

Para apagar el generador, gire el interruptor a la posición de apagado "0".



## Sistema de CO DEFENSE™ y Sistema de apagado (si está disponible)



CO DEFENSE	⚠ WARNING	⚠ AVERTISSEMENT	⚠ ADVERTENCIA
<p>• CARBON MONOXIDE SHUTOFF SYSTEM IN USE</p> <p>• SYSTÈME D'ARRÊT POUR DÉTECTION DE MONOXYDE DE CARBONE EN SERVICE</p> <p>• SISTEMA DE CORTE DE MONÓXIDO DE CARBONO EN USO</p> <p>DIRECT ENGINE EXHAUST AWAY FROM OCCUPIED STRUCTURES</p> <p>ORIENTEZ L'ÉCHAPPEMENT DU MOTEUR À L'OPPOSÉ DES CONSTRUCTIONS OCCUPÉES</p> <p>MUVA EL ESCAPE DEL MOTOR LEJOS DE LAS ESTRUCTURAS OCUPADAS</p>	<p>⚠ FLASHING RED INDICATOR - AUTOMATIC SHUTOFF EVENT. YOU MUST:</p> <p>Leave area immediately and relocate to an open outdoor area. Ventilate area thoroughly before reoccupying again. Ensure the generator is located in an open outdoor area.</p> <p>➕ MOVE TO FRESH AIR AND GET MEDICAL HELP IF SICK, DIZZY OR WEAK.</p>	<p>⚠ VOYANT ROUGE CLIGNOTANT - ÉVÈNEMENT ENTRAÎNANT UN ARRÊT AUTOMATIQUE. VOUS DEVEZ:</p> <p>Quitter immédiatement la zone et vous rendre dans un lieu extérieur en plein air. Bien ventiler la zone avant d'occuper les lieux de nouveau. S'assurer que le générateur est placé dans un lieu extérieur en plein air.</p> <p>➕ ALLEZ À L'AIR LIBRE ET CONSULTEZ UN MÉDECIN SI VOUS VOUS SENTEZ MAL, ÉTOURDI OU FAIBLE.</p>	<p>EL INDICADOR ROJO PARRADEA = EVENTO DE APAGADO AUTOMÁTICO. USTED DEBE:</p> <p>Abandone el área de inmediato y vaya a un lugar al aire libre. Ventile bien el área antes de volver a ocuparla. Asegúrese de que el generador está ubicado en un lugar al aire libre.</p> <p>TOMAR AIRE FRESCO Y BUSCAR AYUDA MÉDICA EN CASO DE SENTIRSE MAL, MAREADO O DÉBIL.</p>
	<p>● CONSTANT ORANGE INDICATOR - SYSTEM FAULT CONTACT DEALER</p> <p>⚠ TAMPERING WITH CO DEFENSE CIRCUIT RESULT IN A HAZARDOUS CONDITION</p>	<p>● VOYANT ORANGE FIXE - DÉFAILLANCE DU SYSTÈME. COMMUNIQUEZ AVEC LE DÉPOSITAIRE.</p> <p>⚠ L'ALTÉRATION DE CO DEFENSE PEUT ENTRAÎNER DES CONDITIONS DANGEREUSES</p>	<p>INDICADOR NARANJA DE CONTACTO = FALLA DEL SISTEMA. COMUNIQUESE CON EL DISTRIBUIDOR.</p> <p>HACER ALTERACIONES CON CO DEFENSE PODRÍA OCASIONAR CONDICIONES PELIGROSAS</p>

El sistema de CO DEFENSE™ monitorea la acumulación de monóxido de carbono mientras el generador está en funcionamiento y apaga el motor si se alcanza un nivel peligrosamente alto. El sistema de CO DEFENSE™ en este generador no sustituye a las alarmas interiores de CO.

Siempre que el sistema de CO DEFENSE™ haya apagado el motor, habrá una luz en el panel de control que indique el motivo. Lea la etiqueta de acción de CO (mostrada anteriormente) para determinar qué pasos tomar.

Si la luz del sistema de CO DEFENSE™ parpadea en “rojo”, salga inmediatamente del área y vaya a un área abierta en el exterior. Ventile bien el área antes de volver a ocuparla. Asegúrese de que el generador esté ubicado en un área abierta en el exterior con el escape dirigido hacia el lado opuesto de las estructuras ocupadas. Si experimenta mareos, dolores de cabeza, náuseas o fatiga retírese inmediatamente para respirar aire fresco y busque atención médica.

Si la luz del sistema de CO DEFENSE™ se muestra fija en color “naranja”, ha ocurrido una falla en el sistema. La falla solo puede ser diagnosticada y reparada por un proveedor autorizado.

El sistema de CO DEFENSE™ monitorea la acumulación de CO de todas las fuentes que existen en el área alrededor del generador. Si la luz del sistema de CO DEFENSE™ parpadea en “rojo” no se trata de un error y se deben tomar medidas de seguridad inmediatamente.

**Nota:** Evite manipular el sistema de CO DEFENSE™ ya que esto puede conducir a condiciones peligrosas.

**Nota** No se debe operar el generador en temperaturas ambiente que superen los 131 °F (55 °C), ya que esto puede dañar el sistema de CO DEFENSE™.

## Entradas paralelas



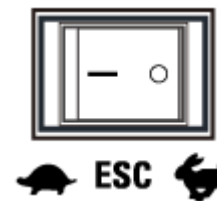
Con las entradas paralelas se podrán conectar dos generadores listos en paralelo y así incrementar la energía total disponible para una carga. El sistema hará coincidir la frecuencia de forma constante y distribuirá automáticamente la carga para cada generador de manera tal que evitará la sobrecarga en cualquiera de ellos. Siga las instrucciones del kit paralelo (el cual se vende por separado) para conectar y utilizar el mismo.

## Arrancador eléctrico



Presione el botón de encendido para arrancar el motor de forma eléctrica, deje de presionar una vez que el motor haya arrancado.

## Interruptor de control inteligente del motor (ESC)



Este generador se encuentra equipado con un interruptor de control inteligente del motor. Cuando se encuentre en la posición de encendido “I”, el motor cambiará su velocidad para alcanzar la energía de salida necesaria y así ahorrar combustible, reducir el desgaste y atenuar el ruido.

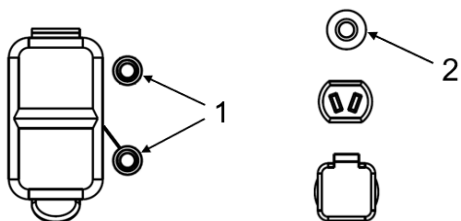
**Nota:** Si las cargas requieren de energía intermitente o si tiene varias cargas grandes conectadas, coloque el interruptor de control de velocidad electrónico en la posición de apagado “O” para evitar un posible ahogo del motor. Para evitar tiempos de calentamiento prolongados, mantenga el control de velocidad electrónico apagado hasta que alcance sus temperaturas normales de funcionamiento.

## Botón de reajuste de sobrecarga



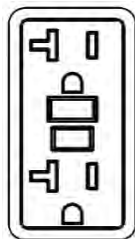
Puede usar este botón en caso de una sobrecarga, sin necesidad de tener que parar y reiniciar la unidad.

## Interruptor de CA/CC



El generador está equipado con interruptores de CA (1) y CC (2) que protegen la unidad y la carga de posibles cortocircuitos o sobrecargas. Si el interruptor se abre, determine por qué se ha disparado antes de volver a cerrarlo.

## 120 VCA, 20 A, GFCI doble



La toma doble de 120 V CA tiene un botón de protección contra sobrecargas de 20 A que permite restablecer el interruptor. Y brinda protección a través de un interruptor de circuito con descarga a tierra (GFCI, por sus siglas en inglés) con solo presionar el botón de Prueba y reajuste. Utilice la toma para alimentar una carga eléctrica NEMA 5-20, de 120 V CA, monofásica, 60 Hz que requiera de una corriente de 20 A.

Utilice solo cables de 3 alambres conectados a tierra, debidamente aislados de 125 V a 20 A (o más). Asegúrese de que los cables de extensión sean lo más cortos posible (menos de 15 pies) para evitar caídas de voltaje y el sobrecalentamiento de los alambres.

## Bloqueo de 120 VCA, 30 A



La toma de bloqueo de 120 VCA tiene un botón de protección contra sobrecarga de 30 A que permite restablecer el interruptor.

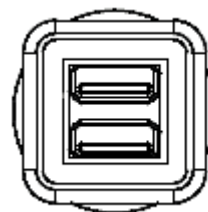
Utilice un tapón NEMA L5-30 con esta toma (gire para bloquear o desbloquear). Utilice la toma para alimentar una carga eléctrica de 120 VCA, monofásica, 60 Hz que requiera de una corriente de hasta 27 A.

## 12 Voltios de CC



El generador incluye una salida de 12 voltios de CC capaz de proporcionar 8.3 A de corriente, a través del cable de carga de 12 voltios suministrado.

## Entradas USB



El generador está equipado con entrada de USB doble. La entrada USB superior es de 5V 1A y la inferior es de 5V 2.1A.

## Desconexión por bajo nivel de aceite

El generador cuenta con un sistema de desconexión por bajo nivel de aceite, diseñado para proteger el motor frente a los posibles daños causados por una cantidad insuficiente de aceite en el cárter. Cuando el nivel de aceite del cárter caiga por debajo del límite de seguridad, la luz de nivel bajo de aceite se iluminará y el motor se apagará automáticamente.

## OPERACIÓN DEL GENERADOR

### Condiciones óptimas para el funcionamiento del generador

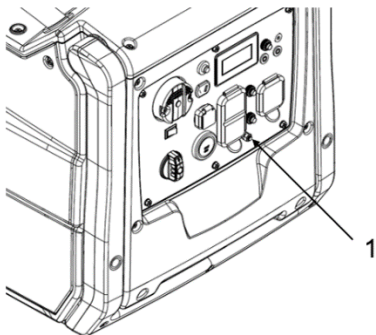
- Temperatura: de 23 °F a 104 °F (-5 °C a 40 °C)
- Humedad inferior a 95%
- Altura por encima del nivel del mar: < 3000 pies (900 m). Si la altura del área operativa es 900 metros o más, la salida de energía se verá reducida.

Las condiciones de funcionamiento estándar son 77 °F (25 °C) y una humedad del 40%. La potencia del generador puede disminuir debido a distintas condiciones ambientales y otros factores como la calidad del combustible.

### Conexión a la red eléctrica doméstica

Este generador se deberá instalar cumpliendo con la normativa local y los códigos eléctricos aplicables. El generador tiene que aislarse de la red eléctrica y un electricista calificado deberá verificar la conexión.

### Puesta a tierra del generador



La ley sobre instalaciones eléctricas exige que los generadores estén puestos a tierra mediante una toma autorizada. La puesta a tierra correcta del generador es necesaria para que el motor funcione de forma óptima y se reduzca el riesgo de descarga eléctrica. Utilice un borne de puesta a tierra (1) para conectar el generador a tierra de manera adecuada. Antes de utilizar el borne de puesta a tierra, acuda con un electricista calificado, un inspector eléctrico o una autoridad local que tenga jurisdicción para conocer los códigos u ordenanzas locales que apliquen al uso previsto del generador.

### Utilización con CA (corriente alterna)

NO sobrecargue el generador. Si se supera la potencia nominal del generador, este o los equipos eléctricos conectados podrían sufrir daños.

Los equipos a motor requieren una corriente de arranque elevada. Asegúrese de que la potencia total requerida por estos tipos de carga no supera la potencia nominal del generador.

Cuando se utilice el generador para alimentar diversas cargas o dispositivos eléctricos, comience conectando el aparato que requiera la potencia de arranque más elevada, seguido de la segunda mayor potencia y finalizando con la más baja.

### Kits para altitudes elevadas

A altitudes elevadas, la mezcla estándar de aire y combustible es demasiado rica y provoca un mayor consumo de combustible y un menor rendimiento. Una mezcla rica también ensuciará la bujía y dificultará el arranque. La utilización del generador a altitudes elevadas durante períodos de tiempo largos puede aumentar las emisiones.

Al instalar un kit para altitudes elevadas se garantiza el funcionamiento correcto. Los kits para altitudes elevadas deben ser instalados por técnicos calificados. Póngase en contacto con un servicio técnico autorizado si el generador portátil se va a utilizar a altitudes superiores a 3000 pies (0.9 km) por encima del nivel del mar.

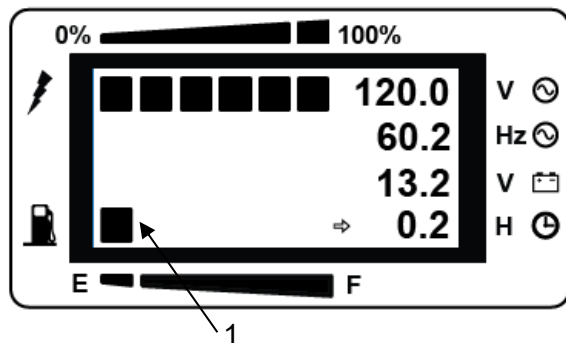
**Nota:** En altitudes superiores a 8000 pies por encima del nivel del mar, el rendimiento del motor puede verse reducido aunque esté instalado el kit para altitudes elevadas.

## ANTES DE ARRANCAR EL MOTOR

### Aceite de motor

Compruebe el nivel de aceite antes de cada uso. Consulte el apartado "Comprobación del nivel de aceite de motor" de este manual.

### Revisión del nivel de combustible



1. Revise el indicador de nivel de combustible (1).
2. Si el nivel de combustible es bajo, quite el tapón del depósito de combustible.
3. Revise el filtro. Si el filtro se encuentra sucio, límpielo. Consulte las instrucciones en Limpieza del filtro y tapón del depósito de combustible.
4. Añada combustible. Se recomienda utilizar un estabilizador de combustible ya que es posible que el equipo no se utilice durante largos períodos de tiempo.
5. Cuando termine de añadir combustible, vuelva a colocar el tapón del tanque.



Para evitar cualquier tipo de lesión, tome siempre estas medidas de precaución cuando añada combustible:

- Añada el combustible en un área bien ventilada.
- El motor tiene que estar detenido antes de repostar.
- Siempre llene el generador al ras.
- El motor tiene que haberse enfriado antes de repostar.
- No fume mientras añada combustible al generador.
- No añada combustible al generador cerca de llamas abiertas o chispas.
- No llene el depósito de combustible por encima de la línea de lleno.
- Evite el contacto prolongado o repetido con la piel.
- Evite respirar los vapores de combustible durante mucho tiempo.

Para evitar daños en el generador:

- Utilice gasolina sin plomo con un octanaje mayor o igual a 86.
- No mezcle aceite con la gasolina.
- No utilice gasolina con más de un 10% de etanol.
- No utilice gasolina vieja.
- Evite la entrada de suciedad o agua en el depósito de combustible.

## ARRANQUE DEL MOTOR

### Arranque con retroceso

1. Aísle el generador de la red eléctrica.
2. Desenchufe cualquier equipo eléctrico conectado a las tomas.
3. Coloque el interruptor del generador en la posición de estrangulador.
4. Jale lentamente la palanca de arranque hasta que note cierta resistencia, luego júlela rápidamente hasta el final. Si el motor no arranca, repita el paso 4 hasta conseguirlo.
5. Una vez que el motor se haya calentado, coloque el interruptor del generador en la posición de encendido "I".

### Arranque eléctrico (si procede)

1. Aísle el generador de la red eléctrica.
2. Desenchufe cualquier equipo eléctrico conectado a las tomas.
3. Coloque el interruptor del generador en la posición de estrangulador.
4. Presione el botón de arranque del generador "⏻" hasta que encienda el motor y suéltelo inmediatamente después.

**NOTA:** No presione el botón de arranque del generador más de 5 segundos ya que esto podría dañar el motor de arranque. Si el motor no arranca, espere 10 segundos antes de volver a intentarlo.

5. Una vez que el motor se haya calentado,

coloque el interruptor del generador en la posición de encendido "I".

## PARAR EL MOTOR

1. Desconecte el generador y desenchufe todos los equipos eléctricos.
2. Coloque el interruptor del generador en la posición de apagado "0".

**NOTA:** Para parar el motor en caso de una emergencia, gire el interruptor del generador a la posición de apagado "0".

## MANTENIMIENTO

Asegúrese de haber leído y comprendido toda la información de seguridad, advertencias e instrucciones antes de realizar cualquier tarea de mantenimiento.

Utilice las horas de servicio o los días del calendario, **EL PLAZO QUE VENZA PRIMERO**, para determinar los intervalos correctos de mantenimiento.

Detenga el motor antes de realizar el mantenimiento. Ponga el motor en posición horizontal y quite el tapón de la bujía para impedir que el motor arranque. No utilice el motor en una sala sin ventilación o recinto cerrado.

### Cuando sea necesario:

Limpieza del filtro y el tapón del depósito de combustible

### Con cada uso:

Comprobación del nivel de aceite de motor  
Inspección visual

### Primeras 20 horas de servicio o 1 mes:

Sustitución del aceite de motor

### Cada mes:

Inspección del generador

### Cada 50 horas de servicio o 3 meses:

Inspección/limpieza/sustitución del apagachispas

### Cada 100 horas de servicio o 6 meses:

Sustitución del aceite de motor  
Comprobación del filtro de aire  
Inspección/ajuste/sustitución de la bujía

### Cada 300 horas de servicio o 1 año:

Limpieza de la cabeza del cilindro  
Comprobación del juego de las válvulas del motor

### Cada 2 años:

Circuito de combustible: compruebe su estado o replácelo si es necesario

**NOTA:** Solamente utilice piezas originales Caterpillar.

## Inspección del generador

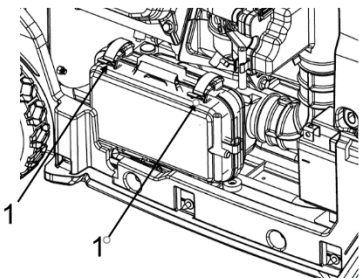
Arranque el motor una vez al mes y espere a que alcance la temperatura normal de servicio (unos 10 minutos). Enchufe un equipo con cable y encienda el equipo para asegurarse de que el generador suministra energía. Cuando haya verificado que el generador suministra energía, apague el equipo y desenchúfelo. A continuación apague el generador.

## Comprobación del filtro de aire

Un filtro de aire sucio limitará el flujo de aire en el carburador, provocará un ahorro insuficiente de combustible y puede dañar el motor. Para mantener el generador en buenas condiciones de funcionamiento, realice el mantenimiento del filtro de aire de manera regular. Realice el mantenimiento con mayor frecuencia si el generador se utiliza en entornos con mucho polvo.

**Nota:** Nunca utilice el generador si el filtro de aire no está colocado. Utilizar el generador sin el filtro de aire aceleraría el desgaste del motor.

Para acceder al filtro de aire, siga el procedimiento de Conexión de batería en las INSTRUCCIONES DE PRIMER USO.



1. para acceder a los elementos de espuma y papel de filtro de aire, desenganche las 2 tornillerías (1).
2. quite cuidadosamente la tapa de filtro de aire. Nota, se debe quitar el elemento de papel con la tapa.

Revise el elemento de papel para ver si hay limpieza. Si el elemento de papel está sucio, reemplácelo.

Revise el elemento de espuma. Si el elemento de espuma se encuentra sucio, lávelo. Si el elemento de espuma está dañado, cámbielo.

Use disolvente no inflamable o una mezcla de detergente del hogar y agua tibia para lavar el filtro. enjuague el filtro completamente para quitar toda la solución de limpieza. reemplace el filtro después de que el filtro se haya secado. no aceite el filtro de espuma.

**Nota:** No retuerza la filtro. si se retuerce el filtro, se puede dañar el filtro.

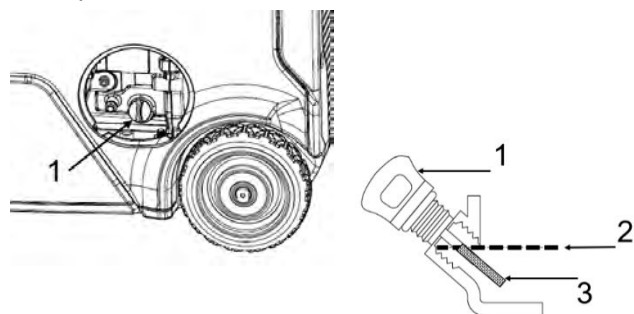
Utilice un trapo húmedo para limpiar todo el polvo de la tapa y la carcasa. Instale el filtro en la carcasa. Para reemplazar la puerta del filtro de aire y el panel lateral se debe realizar el procedimiento inverso al de remoción.

## Limpeza de la cabeza del cilindro

Esta tarea de mantenimiento solamente debe ser realizada por personal calificado. Póngase en contacto con su servicio técnico para programar este mantenimiento.

## Comprobación del nivel de aceite de motor

Compruebe el aceite de motor siempre con el generador sobre una superficie plana y el motor parado.

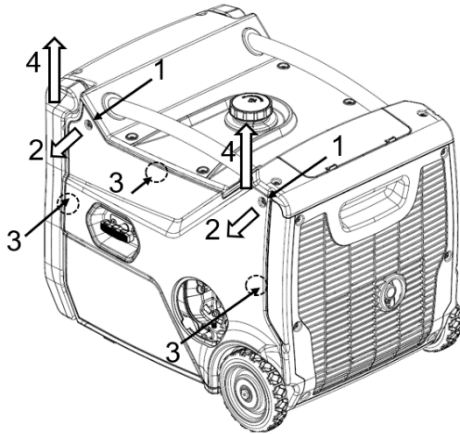


1. Abra la tapa de mantenimiento y retire el indicador de nivel de aceite (1) y límpielo.
2. Compruebe el nivel de aceite reinsertando el indicador de nivel de aceite (no atornille muy ajustado).
3. Si el nivel de aceite es bajo (3), añada el aceite para motor recomendado utilizando el embudo suministrado hasta que el nivel de aceite alcance la marca superior (2) del indicador. Utilice la siguiente tabla para determinar la viscosidad del aceite.
4. Después de agregar el aceite, coloque y ajuste el indicador de nivel de aceite (1) y cierre la tapa de mantenimiento.

Viscosidad recomendada del lubricante a temperatura ambiente				
Viscosidad del aceite	°C		°F	
	Mín.	Máx.	Mín.	Máx.
SAE 0W-40	-40	40	-40	104
SAE 5W-40	-30	50	-22	122
SAE 10W-30	-18	40	0	104
SAE 15W-40	-10	50	14	122

**Nota:** Los aceites de motor sin detergentes y para motores de 2 tiempos no deben utilizarse, ya que causan daños en el motor.

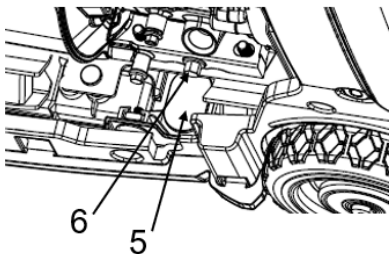
## Sustitución del aceite de motor



1. Ponga el motor en funcionamiento hasta que alcance su temperatura normal de servicio. Detenga el motor y recoja el aceite usado con un recipiente adecuado.
2. Desatornille los 2 elementos de fijación (1) que se encuentran en la parte superior del panel lateral. Recuerde que son elementos cautivos y no puede quitarlos por completo del panel lateral.
3. Jale los elementos de fijación en la dirección que se muestra (2) para liberar la parte superior del panel lateral.
4. Jale el panel hasta que salgan los elementos de fijación escondidos (3).

**Importante**, deje de jalar una vez que los elementos de fijación (3) hayan salido, de lo contrario podría dañar las lengüetas que se encuentran en la parte inferior del panel lateral.

5. Para sacar el panel lateral por completo, levántelo en dirección vertical (4) para liberar las lengüetas inferiores.
6. Coloque con cuidado el panel lateral a un costado con el cordón retráctil conectado.



7. Coloque cuidadosamente el generador en bloques de madera para permitir que se coloque un recipiente de drenaje del aceite debajo del arandelas de goma de caucho (5).
8. Quite el arandelas de goma de caucho (5).
9. Desenrosque el aceite tapón de drenaje (6) y drene todo el aceite del motor en el recipiente.
10. Reemplace el aceite tapón de drenaje y el arandelas de goma de caucho.
11. Limpie UP exceso de aceite.
12. Llène el aceite, use el embudo (incluido) y revise el nivel de aceite. Consulte aceite del motor level: revisar.

13. Instale y apriete el aceite indicador de nivel.
14. Vuelva a conectar el panel lateral en orden inverso a la remoción.
15. Deseche el aceite usado correctamente.
16. Arranque el motor durante un período breve y revise para ver si hay fugas.
17. Detenga el motor y revise el nivel de aceite. añada aceite si level indica que es necesario. Consulte aceite del motor level: revisar.

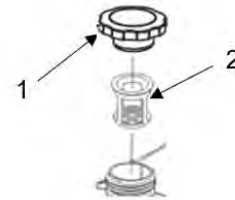
## Inspección y ajuste del juego de las válvulas del motor

Esta tarea de mantenimiento solamente debe ser realizada por personal calificado. Póngase en contacto con su servicio técnico para programar este mantenimiento.

## Sustitución del conducto de combustible

Esta tarea de mantenimiento solamente debe ser realizada por personal calificado. Póngase en contacto con su servicio técnico para programar este mantenimiento.

## Limpieza del filtro y el tapón del depósito de combustible



Limpie el tapón del depósito de combustible (1) y la zona alrededor del mismo antes de quitarlo. Esto reduce la cantidad de contaminantes que entran al sistema de combustible.

Si se han acumulado residuos en el filtro de combustible (2), quite el filtro y enjuáguelo. Deje que el filtro se seque antes de volver a colocarlo.

## Inspección/limpieza/sustitución del apagachispas



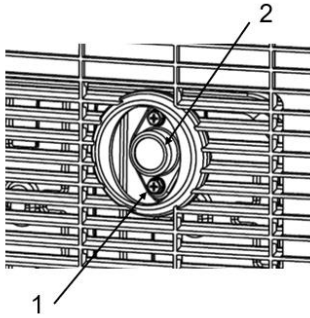
**Superficies calientes**

**ADVERTENCIA**

Las piezas o componentes calientes podrían causar quemaduras o lesiones. Las piezas o componentes calientes no deben entrar en contacto con la piel. Utilice ropa o equipos de protección para proteger la piel.

NO realice esta tarea de mantenimiento hasta que el silenciador se haya enfriado.

El generador cuenta con un apagachispas situado en la salida de escape del silenciador. El apagachispas se limpia con un cepillo de alambre suave cada 50 horas de servicio o 3 meses de uso. El apagachispas debe sustituirse cada 100 horas de servicio o antes si se encuentra dañado.

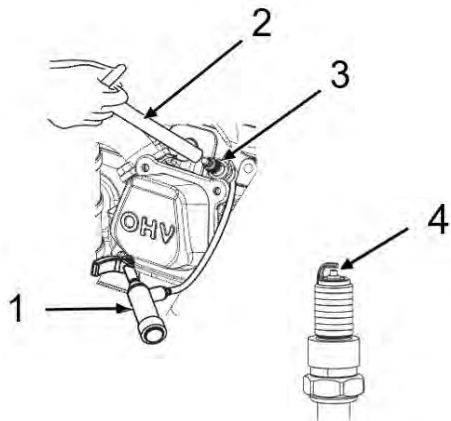


Quite los tornillos (1). Quite el apaga chispas (2) y compruébelo. Limpie con cuidado el apaga chispas utilizando un cepillo de alambre suave. Reemplace el apaga chispas si está dañado.

Para colocar el apaga chispas, alinee los orificios de montaje del apaga chispas con los orificios del silenciador. Inserte los tornillos (1) y apriete con firmeza.

### Inspección/ajuste/sustitución de la bujía

Consulte el apartado “Especificaciones” de este manual para determinar el número de referencia correcto de la bujía y la distancia entre electrodos correspondiente a su generador.



1. EVITE realizar el procedimiento de mantenimiento mientras el motor está en funcionamiento.
2. Coloque el interruptor del generador en la posición de apagado “O”.
3. Retire el panel lateral según el procedimiento de Verificación del filtro de aire.
4. Retire el recubrimiento aislante de la bujía (1) jalándolo simplemente de la parte superior de la bujía.
5. Utilice una llave (2) o un dado de bujía para retirar la bujía (3).
6. Compruebe visualmente si la bujía está dañada. Si el aislante tiene fisuras, sustituya la bujía. Si el electrodo está dañado, sustituya la bujía.
7. Mida la distancia entre electrodos (4) con una galga de espesores. Ajuste el espacio según sea necesario doblando con cuidado el electrodo. Consulte el espacio correcto de su equipo en el apartado Especificaciones.

8. Coloque la bujía con la mano y ajuste a  $9 \pm 2$  lb ft ( $12.5 \pm 2$  Nm). NO ajuste demasiado ya que esto podría dañar el motor.
9. Vuelva a colocar el recubrimiento aislante de la bujía y el panel lateral.

### Inspección visual

Inspeccione visualmente el equipo antes de arrancar el motor. Compruebe:

- Nivel de aceite adecuado
- Nivel de combustible adecuado
- Buena calidad de combustible
- Fugas de fluidos
- Abrazaderas sueltas
- Pernos sueltos
- Grietas en el tubo de combustible
- Cables sueltos o deshilachados
- Residuos acumulados

Asegúrese también de que:

- El borne de puesta a tierra está conectado adecuadamente.

## ALMACENAMIENTO

Cuando un generador se encuentra en almacenamiento, puede condensarse humedad en los devanados. Para minimizar la condensación, guarde siempre el generador en un lugar seco. Tape el generador con una cubierta protectora que llegue al suelo. Esta cubierta debe quedar floja alrededor del generador para permitir una ventilación adecuada.

No se debe almacenar el generador en temperaturas ambiente que superen los 131°F (55°C), ya que esto puede dañar el sistema de CO DEFENSE™ (si está disponible)

Espere hasta que el generador se haya enfriado antes de cubrirlo. Nunca opere el genrator con la tapa instalada. Puede encenderse y causar daños.

### Almacenamiento entre 1 y 3 meses

Elimine cualquier suciedad, óxido, grasa o aceite del generador. NO utilice una hidrolimpiadora para limpiar el generador. Compruebe el exterior. Realice las reparaciones necesarias.

Añada estabilizador de combustible al tanque de combustible para evitar el deterioro de la gasolina. Arranque el motor y déjelo funcionar durante 5 minutos para asegurarse de que el estabilizador de combustible ha llegado al carburador. Apague el motor y espere a que se enfríe.

Coloque el interruptor del generador en la posición de apagado "O".

Coloque el generador en el lugar donde va a ser almacenado.

Tape el generador.

## Almacenamiento por más de 3 meses

Elimine cualquier suciedad, óxido, grasa o aceite del generador. NO utilice una hidrolimpiadora para limpiar el generador. Compruebe el exterior. Realice las reparaciones necesarias.

### ADVERTENCIA

La gasolina es extremadamente inflamable y explosiva en determinadas circunstancias. Vacíe el combustible en una zona bien ventilada con el motor parado y frío. Nunca fume durante este proceso y evite las llamas abiertas o chispas en la zona.

Quite la tapa del combustible y con cuidado gire el generador para verter la gasolina en un contenedor adecuado. Coloque la tapa de combustible, arranque el motor y póngalo en funcionamiento hasta que se detenga para vaciar el combustible del circuito, del carburador y del sistema del motor.

Sustituya el aceite de motor. Consulte el apartado "Sustitución del aceite de motor".

Quite la bujía y aplique una pequeña cantidad de aceite en el cilindro. Coloque la bujía pero sin colocarle la tapa.

Coloque el interruptor del generador en la posición de apagado "O".

Coloque el generador en el lugar donde va a ser almacenado.

Vuelva a conectar el cargador por goteo al puerto del panel de control y a la fuente de alimentación de CA estándar, a fin de mantener la batería del generador alimentada al máximo y lograr un arranque sencillo después de su almacenamiento. Desconecte el cargador de la batería una vez que esta se encuentre completamente cargada (tal como lo indica la luz verde del cargador)

Tape el generador.

## RESOLUCIÓN DE PROBLEMAS

Problema:	Posible causa:	Solución:	Comprobación:
<b>El motor no arranca</b>	El interruptor del generador está en la posición de apagado "0"	Coloque el interruptor del generador en la posición correcta.	Arranque el motor.
	Generador inclinado	Coloque el generador en una posición nivelada.	
	No hay combustible	Llene el depósito de combustible.	
	Combustible contaminado o de mala calidad	Compruebe el combustible.	
	Aceite insuficiente en el motor	Compruebe el nivel de aceite. Si es bajo, añada aceite recomendado.	
	Filtro de aire sucio	Limpie el filtro de aire.	
	No hay chispa	Sustituya la bujía.	
	Para el arranque eléctrico del motor, utilice el arrancador retráctil.	Si el generador arranca, verifique el voltaje de la batería en la pantalla LCD. Si la batería suministra menos de 12.4 V, cárguela.	
	Presencia de aceite en la cámara de combustible	Quite la bujía, gire el interruptor del generador a la posición de apagado "0" y tire del arrancador retráctil cuatro veces para remover el aceite de la cámara de combustible.	
Si aún así el motor no arranca:	Lleve el equipo a un servicio técnico autorizado.		
<b>El motor funciona forzado (sin carga)</b>	Filtro de aire sucio	Pare el motor y compruebe el filtro de aire. Límpielo en caso de ser necesario.	Arranque el motor y compruebe si corre con dificultad.
	Generador inclinado	Coloque el generador en una posición nivelada.	
	Si el motor continúa corriendo con dificultad:	Lleve el equipo a un servicio técnico autorizado.	
<b>El motor se apaga</b>	No hay combustible	Compruebe el combustible. Llene el tanque en caso de ser necesario.	Arranque el motor y compruebe si se apaga.
	Aceite insuficiente en el motor	Compruebe el nivel de aceite. Si es bajo, añada aceite recomendado.	
	Filtro de aire sucio	Limpie el filtro de aire.	
	Apagado debido a acumulación de CO e indicador parpadeando en rojo	Siga todas las instrucciones de seguridad indicadas en la etiqueta de acción de CO	
	Sobrecarga del generador	Desenchufe alguno de los equipos.	
	Apagado debido a falla del sistema de CO DEFENSE™ e indicador fijo en naranja	Lleve el equipo a un servicio técnico autorizado.	
Si aún así el motor se apaga:			
<b>El motor funciona forzado (con carga)</b>	Filtro de aire sucio	Pare el motor y compruebe el filtro de aire. Límpielo en caso de ser necesario.	Arranque el motor y compruebe si corre con dificultad.
	Sobrecarga del generador	Desenchufe alguno de los equipos.	
	Equipo defectuoso conectado	Desenchufe el equipo defectuoso.	
	Si el motor continúa corriendo con dificultad:	Lleve el equipo a un servicio técnico autorizado.	
<b>El motor funciona pero el generador no suministra energía</b>	El generador está sobrecargado; la luz de sobrecarga está encendida	Apague y desenchufe todos los dispositivos eléctricos, apague el motor, espere 10 minutos y enciéndalo nuevamente. Conecte menos cargas o de menor intensidad eléctrica.	Arranque el motor y compruebe si proporciona energía.
	Conexión incorrecta	Pare el motor y compruebe las conexiones.	
	Cable de alimentación defectuoso	Sustituya el cable.	
	Equipo defectuoso conectado	Desenchufe el equipo defectuoso.	
	Si todavía no suministra energía:	Lleve el equipo a un servicio técnico autorizado.	

## ESPECIFICACIONES

Tipo de motor	Cilindro individual, 4 tiempos, refrigeración por aire forzado
Cilindrada (cc)	212
Sistema de ignición	Electrónico
Distancia entre electrodos	.028 - .032 pulgadas (0.7 – 0.8 mm)
Volumen de combustible	2.1 galón americano (8 l)
Consumo de combustible (g/(kWh))	≤ 395
100% carga continua, tiempo de servicio (h)	4.8
50% carga continua, tiempo de servicio (h)	8.0
Capacidad de aceite	0.60 cuartos (0.56 l)
Potencia nominal (CC)	12 V 8.3 A
Frecuencia nominal (Hz)	60
Voltaje nominal (V)	120
Potencia nominal de salida (kW)	3.2
Potencia pico de salida (kW)	4.0
Fase	Monofásico
Distorsión armónica total	< 3%



# DECLARACIÓN DE GARANTÍA DE LOS CONTROLES DE EMISIONES COMBINADAS DE ESCAPE Y DE EVAPORACIÓN

## Derechos y obligaciones de la garantía

La Junta de Recursos del Aire de California (CARB, California Air Resources Board), la Agencia de Protección Ambiental de los Estados Unidos (EPA, Environmental Protection Agency) y Caterpillar Inc. se complacen en ofrecerle detalles sobre la garantía del sistema de control de emisiones evaporativas y de escape de su motor/equipo compacto todoterreno modelo 2019. En Estados Unidos y California, los equipos nuevos que utilicen motores todoterreno compactos deben estar diseñados, fabricados y equipados de conformidad con estrictas normas sobre emisiones. Caterpillar está obligado a garantizar el sistema de control de emisiones de su motor/equipo compacto todoterreno durante los periodos de tiempo indicados más adelante, siempre y cuando no haya habido mal uso, negligencia o mantenimiento inadecuado del motor/equipo todoterreno que pudiera haber ocasionado la falla del sistema de control de emisiones.

Su sistema de control de emisiones puede incluir piezas tales como: carburador o sistema de inyección de combustible, sistema de arranque, convertidor catalítico, tanques de combustible, conductos de combustible (para combustible líquido y vapores de combustible), tapones de combustible, válvulas, envases, filtros, abrazaderas y demás componentes asociados. Además se incluyen mangueras, correas, conectores y otros conjuntos relacionados con las emisiones.

Si se cumplen las condiciones de la garantía, Caterpillar reparará su motor/equipo compacto todoterreno sin costo alguno para usted, incluyendo el diagnóstico, las piezas y la mano de obra.

## Cobertura de la garantía del fabricante

Este sistema de control de emisiones cuenta con tres años de garantía. Si cualquier pieza de su motor/equipo compacto todoterreno relacionada con las emisiones está defectuosa, Caterpillar reparará o sustituirá dicha pieza.

## Responsabilidades del propietario

Como propietario del motor/equipo compacto todoterreno, es responsable de realizar el mantenimiento descrito en el manual del usuario. Caterpillar le recomienda conservar todos los recibos relacionados con el mantenimiento de su motor/equipo compacto todoterreno. Sin embargo, Caterpillar no le podrá denegar la cobertura de la garantía solamente por la ausencia de recibos o por no poder demostrar que ha realizado todo el mantenimiento programado.

No obstante, como propietario del motor/equipo compacto todoterreno, debe saber que Caterpillar

puede denegarle la garantía si su motor/equipo compacto todoterreno o una parte del mismo falla debido al mal uso, negligencia, mantenimiento inadecuado o modificaciones no autorizadas.

Usted será responsable de presentar su motor/equipo compacto todoterreno al centro de distribución de Caterpillar en cuanto se presente el problema. Las reparaciones bajo garantía se deben completar dentro de un periodo razonable de tiempo, el cual no deberá exceder los 30 días.

Si tiene cualquier pregunta relacionada con los derechos y obligaciones de la garantía, póngase en contacto con Caterpillar llamando al teléfono 1-844-797-6387 o por correo electrónico: [homeandoutdoorpower@cat.com](mailto:homeandoutdoorpower@cat.com).

## Requisitos para la garantía por defectos:

- (a) El período de garantía inicia en la fecha en que el motor/equipo se entrega al cliente final.
- (b) Cobertura general de la garantía de emisiones. Caterpillar garantiza al cliente final y posteriores propietarios que el motor o equipo:
  - (1) Está diseñado, construido y equipado de manera que cumple con todas las normativas aplicables adoptadas por la Junta de Recursos del Aire; y
  - (2) No tiene defectos de material o fabricación que ocasionen el fallo de las piezas cubiertas por la garantía durante un periodo de tres años
- (c) La garantía para las piezas relacionadas con las emisiones se interpretará de la siguiente manera:
  - (1) Cualquier pieza cubierta con la garantía que no se encuentre programada para su reemplazo como requisito de mantenimiento, según lo indicado en las instrucciones escritas, deberá quedar cubierta por el período de garantía definido en la subsección (b)(2). Si tal pieza llegara a fallar durante el periodo de cobertura de la garantía, deberá ser reparada o reemplazada por Caterpillar de acuerdo a la subsección (4) que se indica a continuación. Después de su reparación o reemplazo en virtud de la garantía, tales piezas deberán quedar cubiertas por la garantía por el periodo restante de la misma.
  - (2) Cualquier pieza incluida en la garantía que solo se encuentre programada para su inspección regular, según lo indicado en las instrucciones escritas, deberá quedar cubierta por la garantía por el período definido en la subsección (b)(2). La inclusión en las instrucciones escritas de cualquier declaración a efectos de “reparar o reemplazar cuando sea necesario” deberá informar a los propietarios sobre la cobertura de la garantía para las piezas relacionadas con las emisiones. El reemplazo de cualquier pieza realizado durante el período de garantía está cubierto por la garantía y no disminuirá el período de garantía. Después de su reparación o reemplazo en virtud de la garantía, la pieza deberá quedar cubierta por la garantía por el periodo restante de la misma.
  - (3) Cualquier pieza incluida en la garantía que se encuentre programada para su reemplazo como



- requisito de mantenimiento según lo indicado en las instrucciones escritas, deberá quedar cubierta por la garantía por el período de tiempo anterior al primer reemplazo programado para esa pieza. Si ocurriese alguna falla en la pieza antes del primer reemplazo programado, la pieza deberá ser reparada o reemplazada por Caterpillar de acuerdo a la subsección (4) que se indica a continuación. Después de su reparación o reemplazo en virtud de la garantía, tal pieza deberá quedar cubierta por la garantía por el periodo restante anterior al primer reemplazo programado para la pieza.
- (4) La reparación o el reemplazo de cualquier pieza en virtud de la garantía debe realizarse sin cargo alguno al propietario en un centro de garantía.
- (5) No obstante lo provisto en la subsección (4) indicada anteriormente, los servicios o reparaciones bajo garantía se deben brindar en todo centro de distribución que esté concesionado para realizar tales servicios al motor/equipo en cuestión.
- (6) No se debe cobrar al propietario por trabajos de diagnóstico que tengan como resultado la determinación de que la pieza en garantía está realmente defectuosa, siempre y cuando el trabajo de diagnóstico se lleve a cabo en un centro de garantía.
- (7) Caterpillar se hará responsable por los daños a otros componentes del motor/equipo ocasionados por alguna falla contemplada en la garantía de cualquier pieza cubierta por la garantía.
- (8) Durante el período de garantía del sistema de control de emisiones establecido en la subsección (b)(2), Caterpillar debe mantener un suministro suficiente de piezas en garantía para satisfacer la demanda esperada de dichas piezas y deberá adquirir piezas adicionales en caso de que ese suministro se termine.
- (9) Para la realización de cualquier mantenimiento o reparación en virtud de la garantía se deberán usar piezas de reemplazo aprobadas por el fabricante que no superen las emisiones de gases o vapores del motor o del sistema de control de emisiones, y deberán proporcionarse sin cargo alguno al propietario. Tal uso no reducirá las obligaciones de la garantía de Caterpillar.
- (10) No se podrán usar piezas añadidas o modificadas que no estén eximidas por la Junta de recursos del aire. El uso de cualquier pieza añadida o modificada no eximida será motivo para invalidar una solicitud de garantía. Caterpillar no será responsable de cubrir bajo garantía las fallas de piezas cubiertas por la garantía que hayan sido ocasionadas por el uso de piezas añadidas o modificadas.
- (11) Caterpillar, quien emite la presente garantía, deberá proporcionar cualquier documento que describa los procedimientos o políticas de garantía del fabricante en un período de cinco días hábiles a solicitud del Director Ejecutivo.
- (d) Lista de piezas para las emisiones cubiertas por la garantía
- (1) Sistema de medición de combustible
  - (i) Carburador y piezas internas (y/o regulador de presión o sistema de inyección de combustible)
  - (ii) Sistema de control y retroalimentación del coeficiente aire-combustible
  - (iii) Sistema de enriquecimiento de arranque en frío
  - (2) Sistema de inducción de aire
  - (i) Sistema de entrada controlada de aire caliente
  - (ii) Colector de entrada
  - (iii) Filtro de aire
  - (3) Sistema de ignición
  - (i) Bujía de encendido
  - (ii) Sistema de arranque por magneto o electrónico
  - (iii) Sistema de avance o retardo de chispa
  - (4) Sistema de recirculación de gases de escape (EGR por sus siglas en inglés)
  - (i) Cuerpo de la válvula de EGR y separador del carburador, si corresponde
  - (ii) Sistema de control y retroalimentación de la velocidad de EGR
  - (5) Sistema de inyección de aire
  - (i) Bomba de aire o válvula de impulso
  - (ii) Válvulas que afectan la distribución del flujo
  - (iii) Colector de distribución
  - (6) Catalizador o sistema del reactor térmico
  - (i) Convertidor catalítico
  - (ii) Reactor térmico
  - (iii) Colector de escape
  - (7) Controles de material particulado
  - (i) Colectores, filtros, precipitadores y cualquier otro dispositivo utilizado para capturar la emisión de material particulado
  - (8) Diversos elementos que se utilizan en los sistemas mencionados anteriormente
  - (i) Controles electrónicos
  - (ii) Válvulas e interruptores sensibles al vacío, el tiempo y la temperatura
  - (iii) Mangueras, correas, cables y conjuntos.
- (e) Lista de piezas para las emisiones evaporativas cubiertas por la garantía
- (1) Depósito de combustible
  - (2) Tapón del depósito de combustible
  - (3) Conductos de combustible (para combustible líquido y vapor de combustible)
  - (4) Aditamentos del conducto de combustible
  - (5) Pinzas\*
  - (6) Válvulas de alivio de presión\*
  - (7) Válvulas de control\*
  - (8) Solenoides de control\*
  - (9) Controles electrónicos\*
  - (10) Diafragmas de regulación de vacío\*
  - (11) Cables de control\*
  - (12) Varillajes de control\*
  - (13) Válvulas de depuración\*
  - (14) Juntas\*
  - (15) Separador de líquido/vapor
  - (16) Cartucho de carbono
  - (17) Abrazaderas de montaje del cartucho
  - (18) Cable del puerto de depuración del carburador
- \*Nota: En relación con el sistema de control de emisiones de evaporación

# GARANTÍA

## GARANTÍA LIMITADA DE CATERPILLAR PARA EL MODELO DE GENERADOR "INVERTER": INV4000 E

Adquiridos en Estados Unidos y Canadá

Caterpillar (Newberry) LLC. (Caterpillar) garantiza al comprador original que cualquier generador portátil nuevo de la marca Cat®, adquirido en los Estados Unidos o Canadá, está libre de defectos de material y fabricación durante el periodo de garantía especificado más adelante, siempre y cuando el producto se utilice y se mantenga de acuerdo con las instrucciones y manuales de Caterpillar. Caterpillar se reserva el derecho de reparar o sustituir cualquier pieza que resulte ser defectuosa tras la inspección por parte de Caterpillar o su servicio técnico autorizado durante el período de garantía especificado más adelante. En caso de que el comprador reclame que el producto está defectuoso, el mismo deberá ser devuelto para su revisión al servicio técnico autorizado de Caterpillar más cercano en los Estados Unidos o Canadá. El comprador asumirá todos los costos asociados con el transporte y el riesgo de pérdida.

### Período de garantía:

Todos los generadores inversores nuevos tienen una garantía en condiciones de uso normales de dos (2) años a partir de la fecha de compra original o 1,000 horas de funcionamiento, el plazo que venza primero. Si no se presenta el comprobante de compra original, se utilizará la fecha de envío del fabricante para determinar el comienzo del período de garantía. Para facilitar cualquier reclamación de garantía, el comprador original deberá registrar el producto en [www.cat.com/herramientasusodomesticoyexterior-asistencia](http://www.cat.com/herramientasusodomesticoyexterior-asistencia) inmediatamente después de la compra.

Al registrar el producto en [www.cat.com/herramientasusodomesticoyexterior-asistencia](http://www.cat.com/herramientasusodomesticoyexterior-asistencia) en un plazo de treinta (30) días a partir de la fecha de compra, el comprador original tiene la posibilidad de ampliar el período de garantía por un año más para contar con un total de tres (3) años, calculados a partir de la fecha de la compra original del producto y con la limitación de 1,000 horas de funcionamiento en total durante el período de garantía.

### Esta garantía NO es aplicable en los siguientes casos:

1. Daños o deterioro debidos al desgaste normal.
2. Fallos provocados por factores externos o de fuerza mayor, como accidentes, colisiones, robo, vandalismo, disturbios, guerra, incendio, congelación, rayos, terremotos, tormentas, granizo, erupciones volcánicas, inundaciones, tornados o huracanes.
3. Fallos debidos a modificaciones, ajustes, cambios de combustible no autorizados o negligencia, así como almacenamiento, reparación o mantenimiento inadecuados.
4. Fallos debidos al mal uso o implementación del producto para otros usos distintos a los previstos por el fabricante, incluyendo -pero sin limitarse a- la instalación inadecuada o la localización en un entorno contaminado, agresivo, corrosivo o salino.
5. Fallos debidos a aditamentos, accesorios y piezas no vendidos, remitidos o autorizados por Caterpillar.
6. Fallos debidos a combustible, aceite o cualquier fluido de servicio inadecuados o contaminados, así como por niveles de fluido inadecuados.
7. Fallos debidos a que el usuario se retrase en devolver el producto después de haber sido notificado de que podría haber un problema con dicho producto.
8. Daños estéticos, decoloración, oxidación, corrosión o arañazos en la pintura.
9. Sustitución de consumibles, incluyendo -pero sin limitarse a- fusibles, lámparas y filtros.
10. Reparación no efectuada por un servicio técnico autorizado de Caterpillar.
11. Gastos adicionales por reparación fuera del horario comercial normal, como horas extras o tarifas en período de vacaciones.
12. Gastos por el alquiler de equipos durante el tiempo de inactividad o la realización de reparaciones bajo la garantía.
13. Gastos derivados de analizar las reclamaciones por rendimiento o la resolución de problemas donde finalmente no se encuentre ningún defecto de fabricación.
14. Las baterías de arranque NO están cubiertas por esta garantía, pero sí lo están por la garantía de las piezas del generador portátil.

Para obtener los servicios cubiertos por esta garantía o resolver cualquier duda relacionada con la garantía y su aplicación, comuníquese por teléfono al 1-844-797-6387 o visite [www.cat.com/herramientasusodomesticoyexteriores-asistencia](http://www.cat.com/herramientasusodomesticoyexteriores-asistencia), donde también podrá localizar el servicio técnico autorizado de Caterpillar más cercano.

## CLÁUSULA DE ARBITRAJE DEL CONSUMIDOR: OBLIGACIÓN DE ARBITRAJE INDIVIDUAL VINCULANTE EN VEZ DE JUICIO; RENUNCIA A DEMANDAS COLECTIVAS

- a. Usted y Caterpillar acuerdan que, dentro de lo permitido por la ley vigente, todas las disputas o demandas que surjan o estén relacionadas de cualquier manera con los productos de generadores portátiles marca Cat o los servicios relacionados con los mismos, o a partir de cualquier forma de publicidad de cualquiera de estos productos o servicios, incluido cualquier asunto relacionado con la existencia, validez o finalización de esta Garantía Limitada de Caterpillar, así como cualquier asunto relacionado con la interpretación de los términos y condiciones de esta Cláusula de Arbitraje del Consumidor, se resolverán con arbitraje vinculante ante un solo árbitro, y no ante juzgado, a excepción de que usted ejerza la demanda ante un juzgado con competencia en asuntos de menor cuantía. Esto también incluye cualquier demanda que haya surgido antes de su aceptación de esta Garantía Limitada de Caterpillar, independientemente si las versiones anteriores de la Garantía Limitada requerían arbitraje. En Estados Unidos, la Ley Federal de Arbitraje (9 U.S.C. § 1 et seq.) y la legislación federal de arbitraje son aplicables a la Garantía Limitada de Caterpillar y a los términos y condiciones de esta Cláusula de Arbitraje del Consumidor.
- b. El Arbitraje utiliza un árbitro neutral en vez de un juez y un jurado. Un árbitro puede adjudicar, de manera individual, los mismos daños y compensaciones que se darían en un juzgado (incluyendo órdenes judiciales y sentencias declaratorias o daños estatutarios) y debe cumplir los términos de esta Garantía Limitada (incluyendo los términos y condiciones de esta Cláusula de Arbitraje del Consumidor) de la misma manera en la que lo haría un juzgado. Los procedimientos del Arbitraje permiten mayor descubrimiento (de pruebas) limitado y la revisión ante un juzgado de una adjudicación de arbitraje también es limitada.
- c. Si usted tiene una disputa y elige una mediación o llevar su caso ante un tribunal de quejas de menor cuantía, primero deberá enviar a Caterpillar, por medio de correo certificado, una notificación por escrito de su demanda donde (a) describa la naturaleza y bases de la demanda o disputa; (b) establezca la compensación específica que desea e (c) incluya una dirección postal y un correo electrónico en donde pueda ser contactado ("Notificación"). La notificación deberá estar dirigida a: Consejo General de Caterpillar Inc., 100 N.E. Adams St. Peoria Illinois 61629 ("Domicilio de notificación") y debe indicar como referencia "Notificación de demanda bajo la Garantía limitada de Caterpillar". Si en un período de 60 días posteriores a que se reciba la notificación, usted y Caterpillar no llegan a un acuerdo para resolver la demanda, usted o Caterpillar podrán iniciar el proceso de arbitraje o presentar la demanda ante un juzgado de asuntos de menor cuantía.
- d. Puede descargar o copiar un formulario para iniciar el arbitraje en el siguiente enlace [www.adr.org](http://www.adr.org). En caso de que deba abonar una tasa administrativa, Caterpillar le reintegrará el importe de dicha tasa después de que Caterpillar reciba la notificación (en el domicilio de notificación) de que usted ha iniciado la mediación, siempre y cuando la demanda no exceda los US\$25,000, en cuyo caso usted será responsable de cubrir dicha tasa.

- e. La mediación se registrará por las Normas de arbitraje del consumidor vigentes de la Asociación Americana de Arbitraje (AAA), de conformidad con los términos establecidos en esta Garantía Limitada (incluyendo los términos y condiciones de esta Cláusula de arbitraje del consumidor) y será administrada por la AAA. Las normas y los formularios de la AAA se encuentran disponibles en [www.adr.org](http://www.adr.org) o llamando a la AAA al 1-800-778-7879. En caso de que hubiese algún conflicto entre los términos aquí establecidos y las Normas de arbitraje del consumidor de la AAA, prevalecerán estos términos.
- f. Si el total de la demanda es menor a US\$25,000, Caterpillar pagará todas las tasas administrativas y de arbitraje, incluyendo la cuota de compensación del árbitro y le reembolsará cualquier cuota administrativa y de arbitraje que usted haya pagado. Si su demanda excede los US\$25,000, las partes pagarán partes iguales de cualquier tasa administrativa o de arbitraje, incluyendo la cuota de compensación del árbitro, a excepción de las cuotas que las Reglas de Arbitraje del Consumidor de la AAA, requieran que Caterpillar pague en su totalidad. Cada parte pagará sus propios gastos de asesoría, expertos, testigos y preparación y presentación de evidencia en cualquier audiencia de arbitraje.
- g. Si su demanda es de US\$25,000 o menos, usted y Caterpillar acuerdan que usted elegirá si el arbitraje se llevará a cabo únicamente con base en los documentos o a través de una audiencia telefónica. Usted también podrá solicitar una audiencia en persona, que podrá ser proporcionada a discreción del árbitro. Si el árbitro otorga la audiencia en persona, dicha audiencia se llevará a cabo en un lugar acordado por ambas partes o en un lugar determinado por el árbitro o por la AAA. En dicha audiencia en persona, las partes o cualquiera de sus testigos tienen derecho a participar de manera remota mediante una videoconferencia o algún método similar. Si su demanda excede los US\$25,000, el árbitro determinará el derecho de audiencia.
- h. Usted y Caterpillar acuerdan, dentro de los términos de la ley vigente, que cualquier procedimiento para llegar a un acuerdo, ya sea en un juzgado o ante un árbitro, se llevará a cabo únicamente de manera individual y no de manera colectiva, representativa, consolidada o mediante acción en masa. Ni usted ni Caterpillar podrán unirse o consolidar demandas por medio de o en contra de algún tercero, o arbitrar o participar de alguna otra manera en cualquier demanda como representante de un colectivo, miembro de un colectivo o en la capacidad general de un abogado privado. Si se encuentra que esta disposición no puede ser ejecutada, entonces, todos los términos y condiciones de estos párrafos de Resolución de Conflictos y Arbitraje (a excepción del párrafo (k)), serán nulos e inválidos.
- i. Cualquier arbitraje será confidencial. Ni usted, ni Caterpillar, ni la AAA, ni el árbitro, deberán dar a conocer la existencia, el contenido (incluyendo cualquier informe oral o escrito) o los resultados de cualquier arbitraje, a excepción de aquellos solicitados por ley o para hacer cumplir o recusar la adjudicación del árbitro.
- j. Usted podrá optar por la exclusión voluntaria de la resolución de este conflicto proporcionando un aviso escrito a la Dirección de recepción de Avisos de Caterpillar en un período no mayor a 30 días a partir de la fecha de compra de los productos o servicios de Caterpillar (o la fecha en la que fue usado por primera vez en caso de productos o servicios gratuitos) que se encuentran cubiertos por esta Garantía Limitada. La exclusión voluntaria de este procedimiento de resolución de conflictos no afectará de ninguna manera la cobertura o validez de esta Garantía Limitada o su capacidad para comprar o usar los productos o servicios del generador portátil marca Cat.
- k. Si por alguna razón la demanda procede por juzgado en lugar de por arbitraje o por un tribunal de quejas de menor cuantía, incluso con exclusión voluntaria según los términos del párrafo (j), hasta donde lo permita la ley, cada uno de nosotros renunciamos a cualquier derecho a un juicio por jurado y acordamos que esos procedimientos deberán llevarse a cabo únicamente a título individual y no mediante acción colectiva, representativa, consolidada o en masa. Bajo dichas circunstancias, usted y Caterpillar acuerdan que en la medida en que surja un conflicto con un generador portátil marca Cat, vendido en los Estados Unidos de América, los tribunales federales y estatales del Estado de Illinois tienen la jurisdicción exclusiva para requerir audiencias y determinar cualquier demanda, permitir la jurisdicción personal de cualquier tribunal federal o estatal del Estado de Illinois, y aceptar la idoneidad de la jurisdicción en cualquier distrito judicial dentro del Estado de Illinois. Si cualquier parte de estas disposiciones de la Resolución de Conflictos y Arbitraje o del presente párrafo (k) no pueden ser ejecutadas, el resto de estas disposiciones de la Resolución de Conflictos y Arbitraje y del presente párrafo (k) seguirán siendo válidas y deben llevarse a cabo en su totalidad.
- l. En caso de que cualquier disposición de este acuerdo resulte inválida o no pueda ser ejecutada en un caso o jurisdicción en particular, dicha disposición será divisible en ese caso o jurisdicción, de acuerdo con el caso y sin afectar la validez y la ejecutabilidad de las disposiciones restantes de este acuerdo, y no afectarán la validez y ejecutabilidad del acuerdo en otros casos o jurisdicciones.

### Ley vigente

- m. Al comprar o utilizar cualquier producto o servicio del generador portátil marca Cat, relacionado con el presente contrato, usted acuerda que, hasta donde lo permita la legislación vigente, la Ley Federal de Arbitraje, la ley federal vigente y las leyes del Estado de Illinois, sin tener en cuenta los conflictos de leyes y regulaciones, regirán los términos de esta Garantía Limitada, así como cualquier conflicto de cualquier tipo que surja entre usted y Caterpillar con relación a dichos productos o servicios.
- n. Si surge algún conflicto relacionado con un generador portátil marca Cat vendido en Canadá, los términos precedentes de resolución de disputas y arbitraje se aplicarán dentro de lo permitido por la ley vigente. Si los términos precedentes no son

vinculantes en virtud de la ley vigente en su jurisdicción y los conflictos se encuentran dentro de la jurisdicción del Tribunal de demandas de menor cuantía en su estado, usted podrá elegir proceder con su demanda ante dicho tribunal. Si el conflicto excede la jurisdicción del tribunal de asuntos de menor cuantía de su estado, usted acuerda someterse a la jurisdicción de los tribunales de su estado a fin de litigar todas las demandas, disputas, acciones o causas de acción judicial, problemas o solicitudes de compensaciones relacionados con esta Garantía Limitada, y dichos tribunales tendrán jurisdicción exclusiva sobre tales demandas, disputas, acciones o causas de acción judicial, problemas o solicitudes de compensaciones.

### Limitaciones

ESTA GARANTÍA SUSTITUYE A CUALQUIER OTRA GARANTÍA EXPLÍCITA O IMPLÍCITA. EN CONCRETO, CATERPILLAR NO OFRECE NINGUNA OTRA GARANTÍA RESPECTO A LA COMERCIABILIDAD O IDONEIDAD PARA UN USO PARTICULAR. LA ÚNICA RESPONSABILIDAD DE CATERPILLAR CONSISTE EN LA REPARACIÓN O SUSTITUCIÓN DE PIEZAS SEGÚN LO INDICADO ANTERIORMENTE. EN NINGÚN CASO CATERPILLAR SERÁ RESPONSABLE DE CUALQUIER DAÑO INCIDENTAL O CONSECUENTE, AUNQUE EL DAÑO FUESE DIRECTAMENTE OCASIONADO POR NEGLIGENCIA DE CATERPILLAR.

Esta garantía está sujeta a las leyes o a cualquier otra disposición legal de los Estados Unidos o de cualquier otra jurisdicción correspondiente y no se aplicará contraviniendo las mismas, sin tener que recurrir a Caterpillar ni que ésta sea responsable. Es posible que la limitación arriba mencionada no aplique en su caso particular, ya que algunos estados no permiten la exclusión o limitación de daños incidentales o indirectos. Esta garantía le otorga derechos legales específicos. Es posible que tenga otros derechos en función del estado o territorio.

En Estados Unidos y Canadá: Caterpillar Newberry LLC, División de Energía Eléctrica, 40 Mawsons Way, SC 29108-6400, Atención: Gerente de atención al cliente, Teléfono (844)-797-6387. Fuera de los EE. UU. y Canadá: Comuníquese con su servicio técnico autorizado en [www.cat.com/herramientasusodomicoyexterior-asistencia](http://www.cat.com/herramientasusodomicoyexterior-asistencia) o por correo electrónico a [homeandoutdoorpower@cat.com](mailto:homeandoutdoorpower@cat.com).

©2019 Caterpillar Todos los derechos reservados. CAT, CATERPILLAR, los logotipos correspondientes, el "amarillo Caterpillar" y la imagen comercial "Power Edge", así como la identidad corporativa y de producto aquí utilizadas, son marcas comerciales de Caterpillar y no pueden ser utilizadas sin autorización. [www.cat.com/herramientasusodomicoyexterior](http://www.cat.com/herramientasusodomicoyexterior)



©2019 Caterpillar  
Todos los derechos reservados

CAT, CATERPILLAR, los logotipos correspondientes, el “amarillo Caterpillar”, y la imagen comercial POWER EDGE, así como la identidad corporativa y de producto aquí utilizadas, son marcas comerciales de Caterpillar y no pueden ser utilizadas sin autorización.

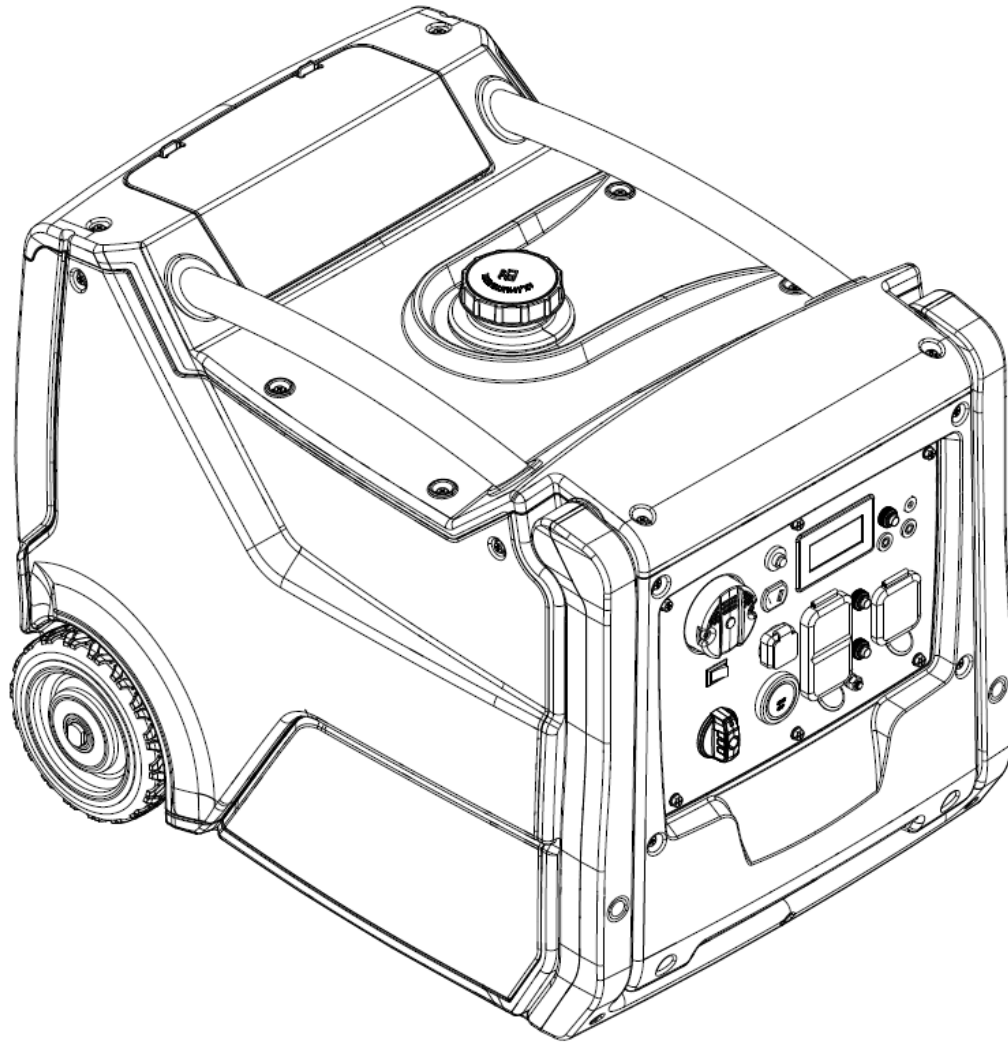


# Manuel d'utilisation

---


INV4000 E  
Générateur portable

---



## Renseignements importants concernant la sécurité

La plupart des accidents impliquant l'utilisation, l'entretien et la réparation du produit sont causés par le non-respect des règles ou des consignes de sécurité de base. Il est souvent possible d'éviter un accident en reconnaissant les situations potentiellement dangereuses avant qu'un accident se produise. Toute personne doit être consciente des risques potentiels, y compris des facteurs humains pouvant affecter la sécurité. Toute personne doit également être formée et posséder les compétences et les outils nécessaires pour effectuer correctement ces opérations.

Des consignes et des avertissements de sécurité sont fournis dans ce manuel ainsi que sur le produit. Si ces avertissements sont ignorés, vous ou d'autres personnes risquez de subir des blessures pouvant entraîner la mort. Les dangers sont identifiés par le « Symbole d'alerte de sécurité »  et suivis d'un « mot indicateur », comme « DANGER », « AVERTISSEMENT » ou « ATTENTION ».

Caterpillar ne peut pas anticiper toutes les circonstances possibles pouvant impliquer un danger potentiel. Les avertissements inclus dans la présente publication et sur le produit ne représentent donc pas une liste exhaustive. Vous ne devez pas utiliser ce produit d'une manière qui diffère de celle indiquée dans ce manuel sans avoir pris en compte toutes les règles et consignes de sécurité applicables à l'utilisation du produit à l'emplacement prévu, y compris les règles et les consignes spécifiques applicables au lieu de travail. Si vous utilisez un outil, une procédure, une méthode de travail ou une technique d'utilisation qui ne fait pas partie des recommandations spécifiques de Caterpillar, vous devez vous assurer que cela ne présente aucun danger pour vous ni pour les autres. Vous devez également vous assurer que vous avez l'autorisation d'effectuer cette tâche et que le produit ne sera ni endommagé ni rendu dangereux par les procédures d'utilisation, de lubrification, d'entretien ou de réparation que vous envisagez d'utiliser.

Les renseignements, les caractéristiques et les illustrations inclus dans la présente publication sont basés sur les données disponibles au moment de sa rédaction. Les caractéristiques, les valeurs de couple et de pression, les mesures, les réglages, les illustrations et d'autres éléments peuvent être modifiés à tout moment. Ces modifications peuvent avoir un impact sur l'entretien du produit. Procurez-vous les tout derniers renseignements complets avant d'entreprendre une tâche.

Aux États-Unis, l'entretien, le remplacement ou la réparation des dispositifs et des systèmes de contrôle des émissions peuvent être effectués par un établissement quelconque de réparation ou un individu choisi par le propriétaire.

Le présent manuel contient des renseignements relatifs à la sécurité, à l'utilisation et à l'entretien. Le présent manuel doit être entreposé avec le produit. Lisez et étudiez le manuel, et entreposez-le avec la documentation et les renseignements sur le produit.

### Clause compromissoire de consommation

La Garantie limitée incluse dans le présent Guide d'utilisation contient des modalités juridiques importantes, notamment, mais sans s'y limiter, une Clause compromissoire de consommation qui exige un arbitrage individuel obligatoire et la renonciation à la possibilité d'engager un recours collectif. Veuillez examiner attentivement le présent document.

### Avertissement concernant la Proposition 65 de Californie



#### AVERTISSEMENT

Ce produit, ainsi que tous ses accessoires, peut vous exposer à des substances chimiques telles que le benzène, reconnu par l'État de Californie comme cancérigène, mutagène et reprotoxique. Pour plus de renseignements, consultez le site [www.P65Warnings.ca.gov](http://www.P65Warnings.ca.gov). Pour réduire les risques pour la santé, évitez d'inhaler les vapeurs de carburant et d'essence, ainsi que les gaz d'échappement du moteur. Lavez-vous les mains après utilisation.

## Table des matières

Clause compromissoire de consommation.....	2
Avertissement concernant la Proposition 65 de Californie.....	2
MESSAGES DE SÉCURITÉ .....	5
Messages supplémentaires .....	6
Exigences spéciales .....	6
IDENTIFICATION DES COMPOSANTS .....	7
Type de moteur et numéro de série .....	8
INSTRUCTIONS POUR UNE PREMIÈRE UTILISATION .....	9
Huile.....	9
Carburant.....	9
Supports de tablier.....	9
Connexion de la batterie.....	10
Inspection visuelle .....	10
COMMANDES .....	11
Écran intelligent ACL .....	11
Vue d'ensemble .....	11
Témoin de bas niveau de carburant .....	11
Avertisseur d'entretien .....	11
Indicateur de surcharge .....	11
Indicateur de faible niveau d'huile .....	11
Indicateur de faible tension de batterie .....	11
Commutateur du générateur.....	11
CO DEFENSE™ et système d'arrêt (si équipé) .....	12
Prises parallèles .....	12
Démarreur électrique .....	12
Commutateur de commande intelligent du moteur .....	12
Bouton de réinitialisation de la surcharge.....	13
Disjoncteurs CA/CC.....	13
120 V c.a., 20 A, DDFT double.....	13
120 V c.a., 30 A, de verrouillage .....	13
12 V c.c. ....	13
Prises USB.....	13
Dispositif d'arrêt en cas de faible niveau d'huile.....	13
FONCTIONNEMENT DU GÉNÉRATEUR .....	14
Conditions optimales de fonctionnement du générateur .....	14
Raccordement à l'alimentation secteur domestique.....	14
Mise à la terre du générateur.....	14
Utilisation en C.A. ....	14
Trousses de haute altitude .....	14
AVANT DE DÉMARRER LE MOTEUR .....	14



Huile à moteur .....	14
Niveau de carburant - Vérification .....	14
DÉMARRAGE DU MOTEUR.....	15
Démarrage manuel .....	15
Démarrage électrique (le cas échéant) .....	15
ARRÊT DU MOTEUR.....	15
MAINTENANCE.....	15
Générateur – Inspection .....	16
Filtre à air – Vérification .....	16
Culasse de cylindre – Nettoyage .....	16
Niveau d'huile moteur – Vérification .....	16
Huile moteur – Changement.....	17
Jeu des soupapes du moteur – Inspection/Réglage .....	17
Conduit de carburant – Remplacement.....	17
Bouchon et filtre du réservoir de carburant – Nettoyage.....	17
Pare-étincelles – Inspection/Nettoyage/Remplacement.....	17
Bougie d'allumage – Inspection/Réglage/Remplacement.....	18
Inspection visuelle .....	18
ENTREPOSAGE .....	19
Entreposage de 1 à 3 mois.....	19
Entreposage de plus de 3 mois .....	19
DÉPANNAGE .....	20
CARACTÉRISTIQUES .....	21
DÉCLARATION DE GARANTIE DU CONTRÔLE DES ÉMISSIONS DE GAZ D'ÉCHAPPEMENT ET PAR ÉVAPORATION .....	22
Les droits et obligations de votre garantie .....	22
Garantie du constructeur .....	22
Responsabilités du propriétaire relatives à la garantie.....	22
Exigences de garantie pour les défauts : .....	22
GARANTIE.....	24
<b>CLAUSE COMPROMISSOIRE DE CONSOMMATION : ARBITRAGE EXÉCUTOIRE INDIVIDUEL OBLIGATOIRE PLUTÔT QUE TRIBUNAL; RENONCIATION AUX RECOURS COLLECTIFS.....</b>	<b>24</b>

## MESSAGES DE SÉCURITÉ

Plusieurs messages de sécurité spécifiques peuvent être présents sur votre générateur. Familiarisez-vous avec tous les messages de sécurité.

Vérifiez que tous les messages de sécurité sont lisibles. Nettoyez les messages de sécurité ou remplacez-les si les mots deviennent illisibles ou si les illustrations ne sont pas visibles. Utilisez un chiffon, de l'eau et du savon pour nettoyer les messages de sécurité. N'utilisez pas de solvants, d'essence ou d'autres produits chimiques abrasifs. Les solvants, l'essence ou d'autres produits chimiques abrasifs pourraient décoller l'adhésif servant à fixer les messages de sécurité.

Remplacez tout message de sécurité endommagé ou manquant. Si un message de sécurité est fixé sur une pièce du générateur qui doit être remplacée, installez un nouveau message de sécurité sur la pièce de rechange.



**Lisez le manuel**

### AVERTISSEMENT

N'utilisez pas ce générateur et ne travaillez pas dessus avant d'avoir lu et compris l'ensemble des instructions et des avertissements fournis dans le manuel d'utilisation. Le non-respect des instructions ou des avertissements peut provoquer des blessures pouvant entraîner la mort. Vous êtes responsable du bon entretien du produit.

### Surface chaude / Ne pas toucher / Matériau inflammable



### AVERTISSEMENT

Les pièces chaudes ou les composants chauds peuvent provoquer des brûlures ou des blessures corporelles. Évitez tout contact entre les pièces ou composants chauds et votre peau. Utilisez des vêtements de protection ou un équipement de protection pour protéger votre peau. Les gaz d'échappement chauds constituent un risque potentiel d'incendie. Veillez à tenir tout élément inflammable à plus de 1,5 m de l'échappement.




## Monoxyde de carbone


**⚠ DANGER**

**Using a generator indoors CAN KILL YOU IN MINUTES.**

**Generator exhaust contains carbon monoxide. This is a poison you cannot see or smell.**



**NEVER use inside a home or garage, EVEN IF doors and windows are open.**



**Only use OUTSIDE and far away from windows, doors, and vents.**

---

**⚠ DANGER**      **⚠ PELIGRO**

Utiliser un générateur à l'intérieur PEUT VOUS TUER EN QUELQUES MINUTES. Les gaz d'échappement du générateur contiennent du monoxyde de carbone. C'est un gaz toxique invisible et inodore.

- NE JAMAIS utiliser à l'intérieur d'une maison ou d'un garage, MÊME SI les portes et les fenêtres sont ouvertes.
- Utiliser UNIQUEMENT à l'EXTÉRIEUR et loin des fenêtres, portes et ventilations.

Si usa un generador en interiores, MORIRÁ EN POCOS MINUTOS. El escape del generador contiene monóxido de carbono. Es un veneno que no tiene olor ni se puede ver.

- NUNCA lo use dentro de una casa o garaje. AUN si las puertas y ventanas están abiertas.
- Sólo úselo en EXTERIORES y lejos de ventanas, puertas y ductos de ventilación.

CO DEFENSE	⚠ WARNING	⚠ AVERTISSEMENT	⚠ ADVERTENCIA
<ul style="list-style-type: none"> <li>• CARBON MONOXIDE SHUTOFF SYSTEM IN USE.</li> <li>• SYSTÈME D'ARRÊT POUR DÉTECTION DE MONOXYDE DE CARBONE EN SERVICE.</li> <li>• SISTEMA DE CORTA DE MONÓXIDO DE CARBONO EN USO.</li> </ul>	<p>FLASHING RED INDICATOR - AUTOMATIC SHUTOFF EVENT. YOU MUST:</p> <ul style="list-style-type: none"> <li>Leave area immediately and relocate to an open outdoor area. Ventilate area thoroughly before occupying again. Ensure the generator is located in an open outdoor area.</li> </ul> <p>MOVE TO FRESH AIR AND GET MEDICAL HELP IF SICK, DIZZY OR WEAK.</p>	<p>VOYANT ROUGE CLIGNOTANT = ÉVÈNEMENT ENTRAÎNANT UN ARRÊT AUTOMATIQUE. VOUS DEVEZ:</p> <p>Quitter immédiatement la zone et vous rendre dans un lieu extérieur en plein air. Bien ventiler la zone avant d'occuper les lieux de nouveau. S'assurer que le générateur est placé dans un lieu extérieur en plein air.</p> <p>ALLEZ À L'AIR LIBRE ET CONSULTEZ UN MÉDECIN SI VOUS VOUS SENTEZ MAL, ÉTOURDI OU FAIBLE.</p>	<p>EL INDICADOR ROJO PÁRPADEA = EVENTO DE APAGADO AUTOMÁTICO. USTED DEBE:</p> <p>Abandonar el área de inmediato y vaya a un lugar al aire libre. Ventile bien el área antes de volver a ocuparla. Asegúrese de que el generador está ubicado en un lugar al aire libre.</p> <p>TOMAR AIRE FRESCO Y BUSCAR AYUDA MÉDICA EN CASO DE SENTIRSE MAL, MAREADO O DÉBIL.</p>
<p>DIRECT ENGINE EXHAUST AWAY FROM OCCUPIED STRUCTURES. ORIENTEZ L'ÉCHAPPEMENT DU MOTEUR À L'OPPOSÉ DES CONSTRUCTIONS OCCUPÉES. MUEVA EL ESCAPE DEL MOTOR LEJOS DE LAS ESTRUCTURAS OCUPADAS.</p>	<p>CONSTANT ORANGE INDICATOR - SYSTEM FAULT CONTACT DEALER.</p> <p>TAMPERING WITH CO DEFENSE COULD RESULT IN A HAZARDOUS CONDITION</p>	<p>VOYANT ORANGE FIXE - DÉFAILLANCE DU SYSTÈME. COMMUNIQUEZ AVEC LE DÉPOSITAIRE.</p> <p>L'ALTERNATION DE CO DEFENSE PEUT ENTRAÎNER DES CONDITIONS DANGEREUSES</p>	<p>INDICADOR NARANJA DE CONTACTO = FALLA DEL SISTEMA. COMUNIQUESE CON EL DISTRIBUIDOR.</p> <p>HACER ALTERACIONES CON CO DEFENSE PODRÍA OCASIONAR CONDICIONES PELIGROSAS</p>

L'utilisation d'un générateur à l'intérieur peut vous tuer en quelques minutes. Les gaz d'échappement du générateur contiennent du monoxyde de carbone. C'est un gaz toxique invisible et inodore. N'utilisez jamais le générateur à l'intérieur d'une maison ou d'un garage, même si les portes et les fenêtres sont ouvertes. Utilisez-le uniquement à l'extérieur, et loin des fenêtres, portes et ventilations. Orientez toujours l'échappement du moteur à l'opposé des constructions occupées. Si une personne est prise de vertiges, de maux de tête, de nausée ou se sent fatiguée, transportez-la immédiatement à l'air frais et appelez un médecin. Aérez bien la zone avant d'y revenir.

Le système d'arrêt pour détection de monoxyde de carbone ne remplace pas une utilisation sécuritaire du générateur. Ne procédez pas à un réglage ou une modification du système d'arrêt pour détection de monoxyde de carbone. Le non-respect des instructions peut entraîner le dysfonctionnement du système, ce qui peut engendrer des conditions dangereuses.



## Électrocution

### DANGER

Risque d'électrocution ou de choc électrique : N'utilisez pas ce générateur et ne travaillez pas dessus avant d'avoir lu et compris l'ensemble des instructions et des avertissements fournis dans le manuel d'utilisation. Le non-respect des instructions ou des avertissements peut provoquer de graves blessures pouvant entraîner la mort.

### AVERTISSEMENT

Le fonctionnement de cet équipement peut créer des étincelles qui peuvent engendrer un incendie de la végétation sèche environnante. Un pare-étincelles peut être nécessaire. L'opérateur devrait communiquer avec les services locaux d'incendie pour connaître les lois et règlements liés à la protection contre les incendies.

### AVERTISSEMENT

Les retours de tension dans le système de distribution de l'alimentation secteur peuvent entraîner des dommages matériels, des blessures graves ou la mort. Avertissement de retour de tension. Ne connectez pas le générateur au système électrique d'un bâtiment à moins d'utiliser un sectionneur (commutateur de transfert) installé par un électricien agréé. Codes 119075 et 119080 du comité d'hygiène et de sécurité de la Californie.

## Messages supplémentaires

	<b>Ne l'utilisez pas dans des conditions humides</b>
	<b>Interdiction de fumer, flammes nues et étincelles interdites.</b>
	<b>Maintenez une distance minimale de 1,5 mètre (5 pieds) avec les autres objets.</b>
	<b>Vérifiez que l'unité est correctement mise à la terre.</b>
	<b>Connexion de la prise de terre</b>

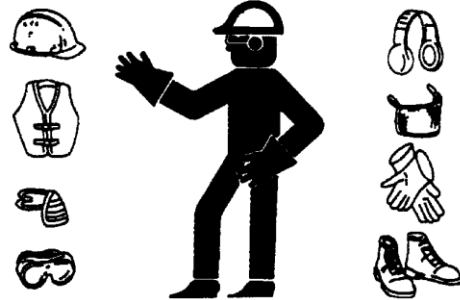
## Exigences spéciales

L'appareil électrique (y compris les câbles et les connecteurs) doit être couvert et protégé contre l'humidité.

Dans toute installation de groupe électrogène, le châssis du générateur doit être mis à la terre. Une borne de terre est fournie.

Les générateurs INV4000 E sont équipés d'un conducteur neutre permanent relié au châssis.

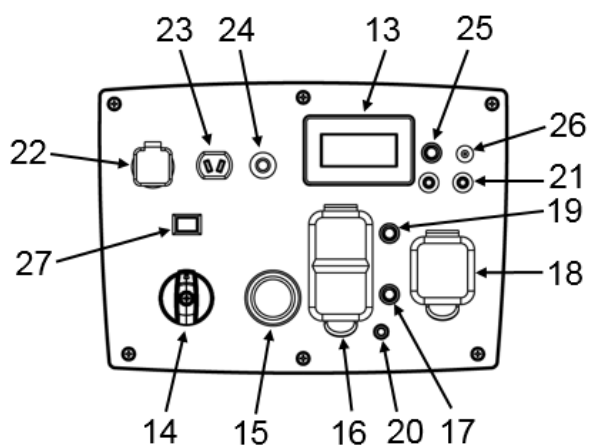
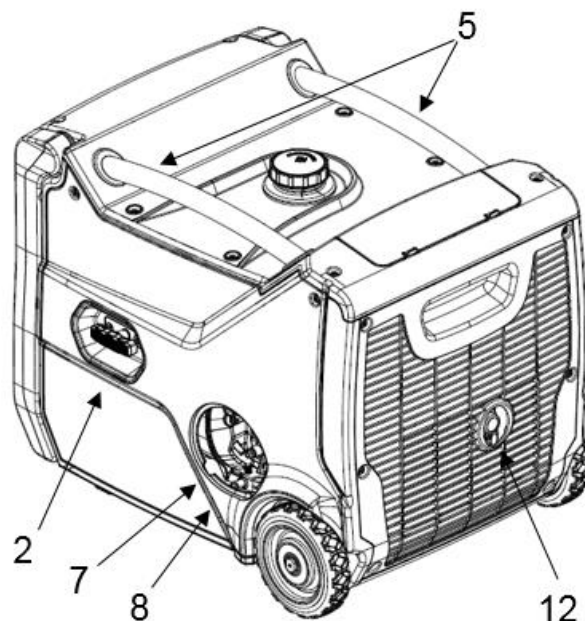
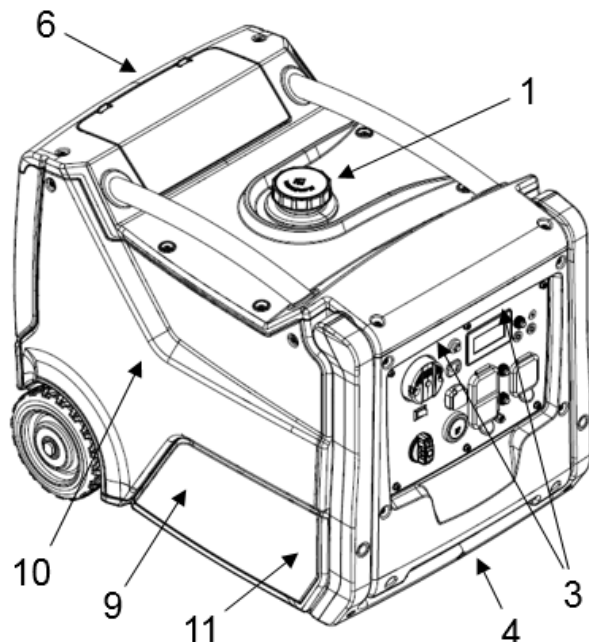
Pour une alimentation de 120 V c.a, utilisez des rallonges de tension nominale minimale de 125 V à 20 A. Utilisez la rallonge la plus courte correspondant à ces exigences.



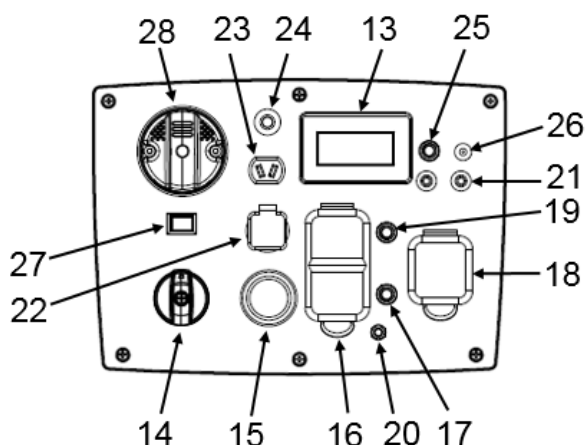
- Portez un casque, des lunettes de protection et tout autre équipement de protection nécessaire.
- Si les travaux sont effectués à proximité d'un moteur en marche, portez des dispositifs de protection auditive afin d'empêcher tout dommage de l'ouïe.
- Ne portez pas de vêtements amples ou de bijoux qui peuvent s'accrocher sur les commandes ou sur d'autres pièces du moteur.
- Vérifiez que tous les dispositifs de protection et tous les couvercles sont bien fixés sur le moteur.
- Ne mettez jamais les liquides d'entretien dans des récipients en verre. Les récipients en verre peuvent se briser.
- Utilisez toutes les solutions de nettoyage avec soin.

Les disjoncteurs doivent correspondre aux caractéristiques du générateur. Si les disjoncteurs nécessitent un remplacement, ils doivent être remplacés par des disjoncteurs du même type et disposant des mêmes caractéristiques de performances.

# IDENTIFICATION DES COMPOSANTS



**Panneau sans CO DEFENSE™**



**Panneau avec CO DEFENSE™**

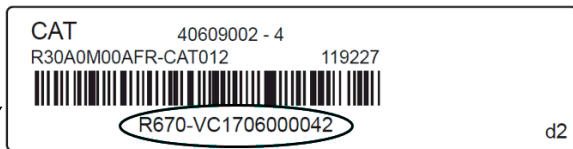
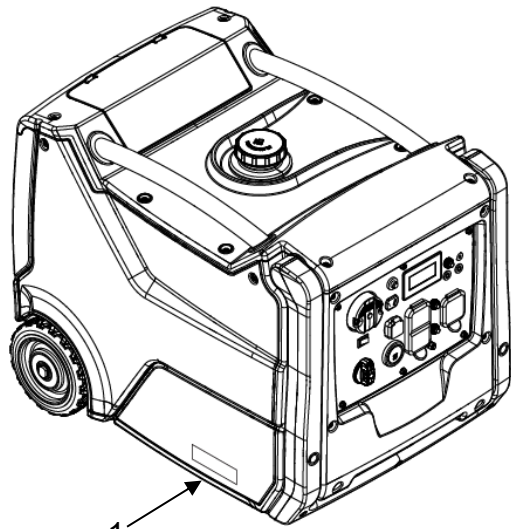
- 1) Bouchon du réservoir de carburant
- 2) Démarreur manuel
- 3) Voyants DEL du panneau
- 4) Poignée rabattable
- 5) Poignées de transport
- 6) Compartiment à outils
- 7) Jauge à huile / Orifice de remplissage d'huile\*
- 8) Orifice de vidange d'huile\*
- 9) Système de filtre à air\*\*
- 10) Bougie d'allumage\*\*
- 11) Batterie\*\*
- 12) Pare-étincelles
- 13) Écran intelligent ACL
- 14) Commutateur du générateur
- 15) Démarreur électrique

\*derrière la porte d'accès de service

\*\*derrière le panneau latéral

- 16) Prise : DDFT 120 V c.a. (double)
- 17) Disjoncteur C.A.
- 18) Prise : 120 V c.a.
- 19) Disjoncteur principal CA
- 20) Borne de terre
- 21) Prises parallèles
- 22) Prise – USB (double)
- 23) Prise – 12 V c.c., 8,3 A
- 24) Disjoncteur CC
- 25) Bouton de réinitialisation de la surcharge
- 26) Port du chargeur d'entretien
- 27) Commutateur de commande intelligent du moteur
- 28) CO DEFENSE™ (si équipé)

# Type de moteur et numéro de série

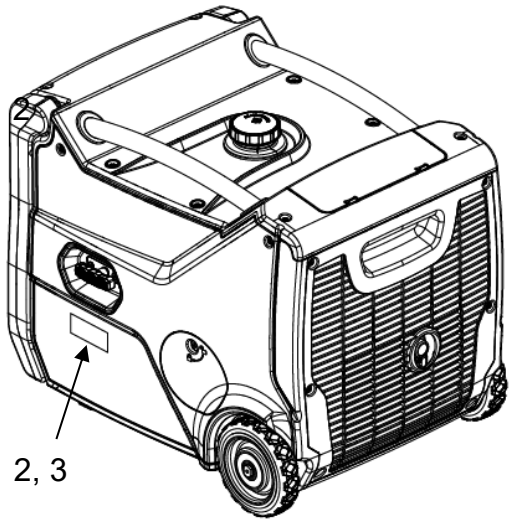


1

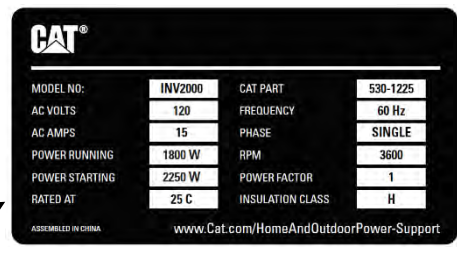
d2



3



2, 3



2

Les générateurs portables Cat<sup>MD</sup> sont identifiés à l'aide d'un numéro de modèle, d'un numéro de série et d'un numéro de caractéristiques de performances. Le numéro de modèle et les caractéristiques de performances se trouvent sur la plaque signalétique (2) ou sur la plaque CSA (3). Le numéro de série se trouve sur la plaque d'identification (1).

# INSTRUCTIONS POUR UNE PREMIÈRE UTILISATION

## Huile

**Remarque :** Le moteur du générateur ne comprend pas d'huile à la livraison, ajoutez la quantité appropriée avant la première utilisation.

Suivez la procédure de vérification du niveau d'huile du moteur pour ajouter la quantité d'huile appropriée pour l'unité, tel que décrit dans le tableau Caractéristiques.

## Carburant

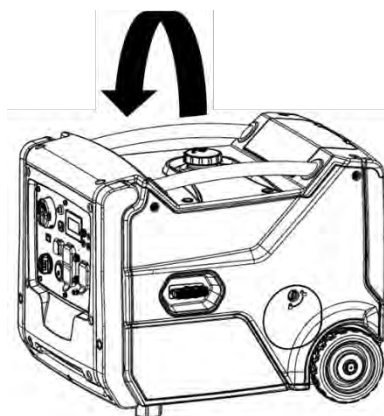
Suivez la procédure de vérification du niveau de carburant afin d'ajouter la quantité de carburant appropriée pour l'unité, tel que décrit dans le tableau Caractéristiques.

## Supports de tablier

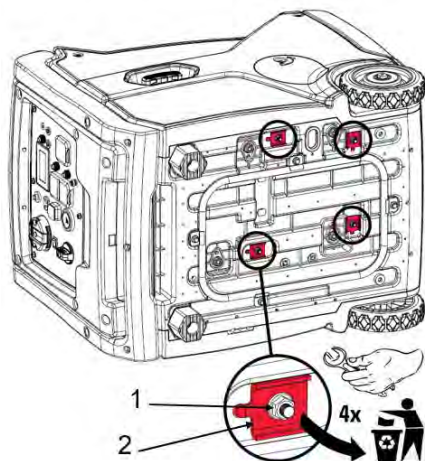
L'alternateur comporte 4 supports de tablier rouges placés sous la base pour éviter tout dommage dû à une manipulation brutale pendant le transport.

**IMPORTANT**-ces éléments doivent être retirés avant utilisation, sinon l'unité vibrera excessivement et risque de se détériorer.

Pour déposer les supports de tablier :



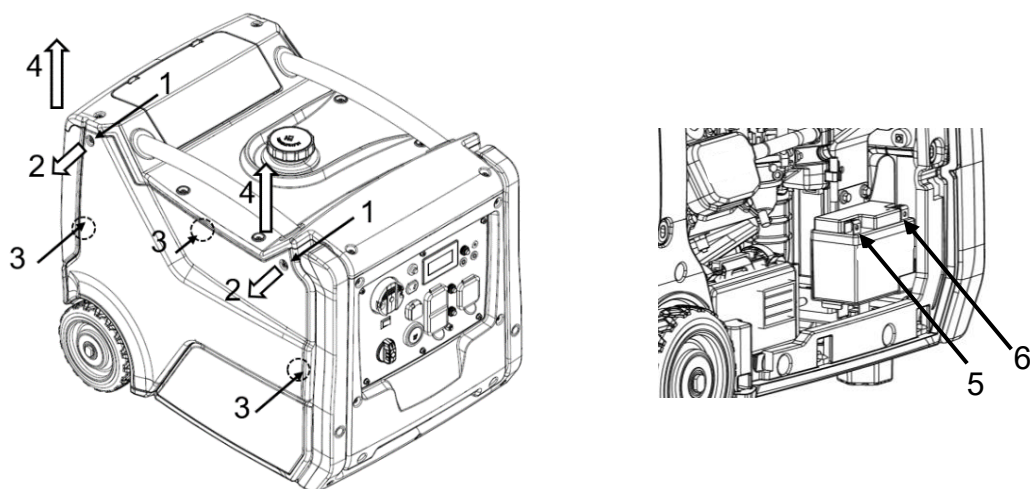
1. Placez doucement l'alternateur sur son côté (en plaçant la poignée d'amortisseur vers UP). Mettre une partie de la mousse d'emballage sous l'alternateur pour éviter tout endommagement.



2. L'aide de la clé fournie, déposer les 4 écrous (1) et les 4 supports de tablier rouge (2). Les goujons fixant les supports de tablier peuvent rester en position..



## Connexion de la batterie



Le générateur est équipé d'une batterie interne lithium-ion montée dans le support de batterie. La batterie est déconnectée et doit être connectée avant la première utilisation.

Pour accéder à la batterie :

1. Dévissez les 2 pièces d'assemblage (1) sur le dessus du panneau latéral. Notez que ce sont des fixations imperdables et qu'elles ne peuvent pas être retirées du panneau latéral.
2. Tirez les fixations imperdables dans la direction montrée (2) afin d'ouvrir le haut du panneau latéral.
3. Tirez le panneau jusqu'à ce que les pièces d'assemblage cachées (3) se détachent.

**Important**, arrêtez de tirer une fois que les pièces d'assemblage (3) se sont détachées, sinon les languettes en bas du panneau latéral pourront s'endommager.

4. Pour retirer complètement le panneau latéral, levez-le verticalement (4) afin de libérer les languettes du bas.

Pour connecter la batterie :

1. Le câble positif de la batterie (5) est déjà connecté.
2. Fixez le câble avec le capuchon noir au terminal négatif de la batterie (6).
3. Pour faciliter la connexion, la batterie peut être retirée en relâchant la sangle de batterie en caoutchouc.

Remettez le panneau latéral en inversant l'ordre des étapes avant la première utilisation.

## Inspection visuelle

Effectuez l'inspection extérieure avant chaque utilisation, comme décrit ultérieurement dans le présent manuel.

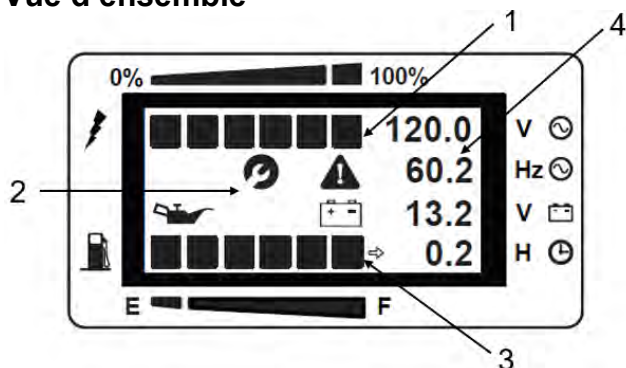


## COMMANDES

### Écran intelligent ACL

Le générateur est équipé d'un écran intelligent ACL multifonction pour surveiller en temps réel la puissance fournie, l'utilisation du carburant et fournir à l'utilisateur des renseignements sur certains services et scénarios de défaillance.

### Vue d'ensemble

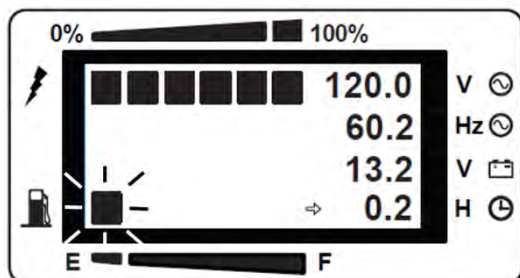


- (1) Utilisation du carburant : jusqu'à 6 barres affichées allant de 0 % à 100 % d'utilisation
- (2) Témoins : huile moteur, surcharge, faible niveau d'huile, faible tension de batterie
- (3) Niveau de carburant : jusqu'à 6 barres affichées allant de 0 % à 100 % du niveau de carburant
- (4) Relevés de compteur : tension alternative, fréquence, tension continue de la batterie, heures d'activité\*.

\*L'affichage des heures alterne automatiquement entre deux relevés :

- a) Avec la flèche affichée : heures restantes en fonction de la charge actuelle et du carburant restant.
- b) Sans la flèche affichée : total des heures accumulées à partir du début de l'utilisation.

### Témoin de bas niveau de carburant



Lorsque le niveau de carburant se trouve en dessous de 0,3 gal (1,2 L), la première barre du niveau de carburant se met à clignoter. Si l'appareil est en cours d'utilisation, le témoin du nombre d'heures restantes effectue un compte à rebours jusqu'à 0 avant que l'appareil s'arrête. Si l'appareil est démarré avec moins de 0,3 gal (1,2 L) de carburant, la première barre va clignoter et le nombre d'heures restantes affiche 0 heure.

### Avertisseur d'entretien



L'avertisseur d'entretien s'affiche pendant une heure lorsque le total des heures atteint les jalons suivants : 20 h, 100 h, puis toutes les 100 h.

### Indicateur de surcharge



L'indicateur de surcharge s'allume en cas de court-circuit d'une charge connectée ou si le générateur est en surcharge.

### Indicateur de faible niveau d'huile



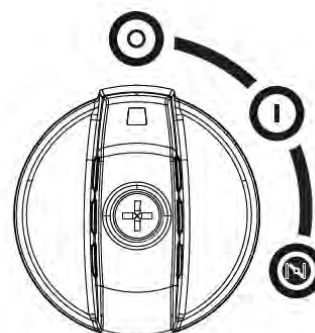
L'indicateur du faible niveau d'huile s'allume et l'appareil est mis hors tension lorsque le niveau d'huile dans le carter moteur est insuffisant.

### Indicateur de faible tension de batterie



L'indicateur de faible tension de batterie s'allume lorsque la tension de la batterie est en dessous de 11,0 V. L'appareil ne peut pas être actionné par démarrage électrique, mais peut toujours l'être par démarrage manuel.

### Commutateur du générateur



Tournez le commutateur du générateur à la position du volet de départ pour démarrer le moteur. Consultez la section Démarrage du moteur.

Tournez le commutateur du générateur en position « I » (activé) une fois celui-ci est démarré.

Pour éteindre le générateur, tournez le commutateur du générateur en position « 0 » (désactivé).

## CO DEFENSE™ et système d'arrêt (si équipé)



CO DEFENSE	⚠ WARNING	⚠ AVERTISSEMENT	⚠ ADVERTENCIA
<p><b>CARBON MONOXIDE SHUTOFF SYSTEM IN USE</b></p> <p><b>SYSTÈME D'ARRÊT POUR DÉTECTION DE MONOXYDE DE CARBONE EN SERVICE</b></p> <p><b>SISTEMA DE CORTE DE MONÓXIDO DE CARBONO EN USO</b></p> <p>DIRECT ENGINE EXHAUST AWAY FROM OCCUPIED STRUCTURES. ORIENTEZ L'ÉCHAPPEMENT DU MOTEUR À L'OPPOSÉ DES CONSTRUCTIONS OCCUPÉES. AJUSTA EL ESCAPE DEL MOTOR LEJOS DE LAS ESTRUCTURAS OCUPADAS.</p>	<p><b>FLASHING RED INDICATOR - AUTOMATIC SHUTOFF EVENT. YOU MUST:</b></p> <p>Leave area immediately and relocate to an open outdoor area. Ventilate area thoroughly before reoccupying again. Ensure the generator is located in an open outdoor area.</p> <p><b>MOVE TO FRESH AIR AND GET MEDICAL HELP IF SICK, DIZZY OR WEAK.</b></p>	<p><b>VOYANT ROUGE CLIGNOTANT - ÉVÉNEMENT ENTRAÎNANT UN ARRÊT AUTOMATIQUE. VOUS DEVEZ:</b></p> <p>Quitter immédiatement la zone et vous rendre dans un lieu extérieur en plein air. Bien ventiler la zone avant d'occuper les lieux de nouveau. S'assurer que le générateur est placé dans un lieu extérieur en plein air.</p> <p><b>ALLEZ À L'AIR LIBRE ET CONSULTEZ UN MÉDECIN SI VOUS VOUS SENTEZ MAL, ÉTOURDI OU FAIBLE.</b></p>	<p><b>EL INDICADOR ROJO PARPADEA = EVENTO DE APAGADO AUTOMÁTICO. USTED DEBE:</b></p> <p>Abandone el área de inmediato y vaya a un lugar al aire libre. Ventile bien el área antes de volver a ocuparla. Asegúrese de que el generador está ubicado en un lugar al aire libre.</p> <p><b>TOMAR AIRE FRESCO Y BUSCAR AYUDA MÉDICA EN CASO DE SENTIRSE MAL, MAREADO O DÉBIL.</b></p>
	<p><b>CONSTANT ORANGE INDICATOR - SYSTEM FAULT CONTACT DEALER</b></p> <p><b>TAMPERING WITH CO DEFENSE CIRCUIT RESULT IN A HAZARDOUS CONDITION</b></p>	<p><b>VOYANT ORANGE FIXE - DÉFAILLANCE DU SYSTÈME. COMMUNIQUEZ AVEC LE DÉPOSITAIRE.</b></p> <p><b>L'ALTÉRATION DE CO DEFENSE PEUT ENTRAÎNER DES CONDITIONS DANGEREUSES</b></p>	<p><b>INDICADOR NARANJA DE CONTACTO - FALLA DEL SISTEMA. COMUNIQUESE CON EL DISTRIBUIDOR.</b></p> <p><b>HACER ALTERACIONES CON CO DEFENSE PODRÍA OCASIONAR CONDICIONES PELIGROSAS</b></p>

Le système CO DEFENSE™ surveille l'accumulation du monoxyde de carbone pendant que le générateur tourne et va mettre le moteur hors tension si les niveaux deviennent dangereusement élevés. Le CO DEFENSE™ sur ce générateur ne remplace pas un détecteur intérieur de monoxyde de carbone.

Lorsque le CO DEFENSE™ met le moteur hors tension, un témoin indiquant le motif s'allume sur le panneau de commande. Lisez l'étiquette CO Action (présentée ci-dessus) pour connaître les mesures à prendre.

Si le témoin du CO DEFENSE™ est « rouge » clignotant, vous devez quitter immédiatement l'endroit et vous déplacer vers une zone en plein air, à l'extérieur. Aérez bien l'endroit avant d'y revenir. Vérifiez que le générateur se trouve dans un espace extérieur ouvert avec le tuyau d'échappement dirigé à l'opposé des constructions occupées. Si une personne est prise de vertiges, de maux de tête, de nausée ou se sent fatiguée, transportez-la immédiatement à l'air frais et appelez un médecin.

Le témoin du CO DEFENSE™ est « orange » fixe lorsqu'une défaillance du système s'est produite. Cette défaillance peut uniquement être diagnostiquée et réparée par un fournisseur de services agréé.

Le CO DEFENSE™ surveille l'accumulation du monoxyde de carbone de toutes origines dans la zone autour du générateur. Si le témoin du CO DEFENSE™ est « rouge » clignotant, il ne s'agit pas d'une erreur et des mesures de sécurité doivent être immédiatement appliquées.

**Remarque :** une altération du CO DEFENSE™ pourrait causer des situations dangereuses et doit être évitée.

**Remarque :** Le générateur ne doit pas être actionné avec une température ambiante supérieure à 131 °F (55 °C), sous peine d'endommager le CO DEFENSE™.

## Prises parallèles



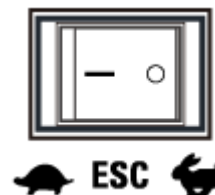
Deux générateurs fonctionnels en parallèle peuvent être connectés pour augmenter la puissance totale disponible dans une charge à l'aide de prises parallèles. Le système égalise uniformément la fréquence et distribue automatiquement la charge vers chaque générateur pour ne pas surcharger l'un ou l'autre. Suivez les instructions de la trousse parallèle (vendu séparément) pour la connexion et l'utilisation d'une trousse parallèle.

## Démarrateur électrique



Appuyez sur le bouton de démarrage pour mettre le moteur en route avec le démarrage électrique. Relâchez le bouton une fois le moteur démarré.

## Commutateur de commande intelligent du moteur



Ce générateur est équipé d'un commutateur de commande intelligent du moteur. En position « I » (activé), le régime moteur varie selon la sortie de puissance nécessaire afin d'économiser du carburant et limiter l'usure et le bruit.

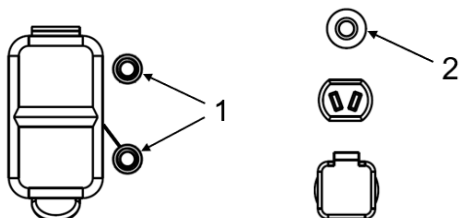
**Remarque :** Si des appareils nécessitant une puissance intermittente ou plusieurs appareils sont branchés, tournez le commutateur de commande de vitesse en position « O » (désactivé), afin d'éviter le risque de calage du moteur. Pour éviter le temps de préchauffage prolongé, maintenez la commande de vitesse électronique désactivée jusqu'à ce que les températures de fonctionnement normales aient été atteintes.

## Bouton de réinitialisation de la surcharge



Ce bouton peut être utilisé pour régler une situation de surcharge sans avoir à arrêter et redémarrer l'appareil.

## Disjoncteurs CA/CC



Le générateur est équipé d'un disjoncteur CA (1) et d'un disjoncteur CC (2) qui protègent l'appareil et la charge des courts-circuits ou des situations de surcharge. Si le disjoncteur s'ouvre, déterminez la raison du déclenchement avant de le fermer.

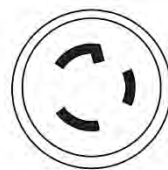
## 120 V c.a., 20 A, DDFT double



La prise double 120 V c.a. est protégée contre la surcharge par un disjoncteur de 20 A à réenclenchement par bouton-poussoir. Il fournit également une protection au moyen d'un disjoncteur différentiel de fuite à la terre (DDFT) par simple pression sur le bouton Tester et Réinitialiser. Utilisez la prise pour alimenter une charge électrique monophasée NEMA 5-20 de 60 Hz, 120 V c.a., nécessitant un courant de 20 A.

Utilisez uniquement des câbles mis à la terre à 3 fils d'excellente qualité, bien isolés, de 125 V à 20 A (ou supérieur). Gardez les rallonges aussi courtes que possible (moins de 4,5 m [15 pi]) pour éviter toute chute de tension et la surchauffe des câbles.

## 120 V c.a., 30 A, de verrouillage



La prise à verrouillage de 120 V c.a. est protégée contre la surcharge par un disjoncteur de 30 A à réenclenchement par bouton-poussoir.

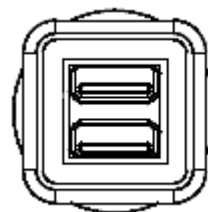
Utilisez une fiche NEMA L5-30 avec cette prise (faire tourner pour verrouiller ou déverrouiller). Utilisez la prise pour alimenter une charge électrique monophasée de 60 Hz, 120 V c.a., nécessitant jusqu'à 27 A de courant.

## 12 V c.c.



Le générateur est équipé d'une sortie de 12 V c.c. capable de fournir un courant de 8,3 A grâce au câble de chargement de 12 V fourni.

## Prises USB



Le générateur est livré avec une double prise USB. La prise supérieure est un port USB de 5 V, 1 A et celle inférieure est un port USB de 5 V et 2,1 A.

## Dispositif d'arrêt en cas de faible niveau d'huile

Le générateur est équipé d'un dispositif d'arrêt en cas de faible niveau d'huile conçu pour protéger le moteur des dommages causés par une quantité insuffisante d'huile dans le carter moteur. Lorsque le niveau d'huile dans le carter moteur passe en dessous du seuil de fonctionnement sûr, le voyant de faible niveau d'huile s'allumera et le moteur s'arrêtera automatiquement.

## FONCTIONNEMENT DU GÉNÉRATEUR

### Conditions optimales de fonctionnement du générateur

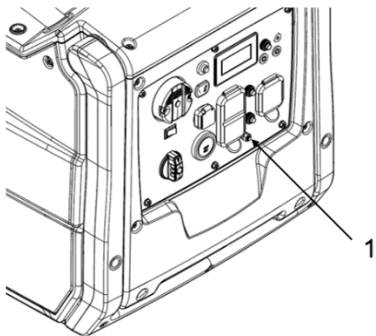
- Température : -5 °C à 40 °C (23 °F à 104 °F)
- Humidité inférieure à 95 %
- Altitude au-dessus du niveau de la mer : < 3 000 pieds (900 m). Si la zone de fonctionnement se trouve à plus de 900 m d'altitude, la puissance de sortie est réduite.

Les conditions normales de fonctionnement sont de 77 °F (25 °C) et 40 % d'humidité. La puissance du générateur peut être réduite en raison de différentes conditions ambiantes et d'autres facteurs tels que la qualité du carburant.

### Raccordement à l'alimentation secteur domestique

Ce générateur doit être installé conformément à toutes les lois et tous les codes électriques locaux applicables. Le générateur doit être isolé du secteur et le raccordement doit être vérifié par un électricien qualifié.

### Mise à la terre du générateur



Le code électrique national exige que les générateurs soient mis à la terre sur une prise de terre agréée. Une mise à la terre adéquate pour le générateur est indispensable pour des performances optimales du moteur et réduit le risque d'électrocution. Utilisez la borne de terre (1) pour mettre le générateur à la terre de façon adéquate. Avant d'utiliser la borne de terre, consultez un électricien qualifié, un inspecteur en électricité ou une autorité locale compétente au sujet des codes ou des décrets locaux applicables à l'utilisation prévue du générateur.

### Utilisation en C.A.

Ne surchargez PAS le générateur. En dépassant la puissance nominale du générateur, vous pouvez endommager le générateur ainsi que les appareils électriques qui lui sont branchés.

Les dispositifs à entraînement motorisé nécessitent une puissance de démarrage élevée. Assurez-vous que les besoins en énergie de ce type d'appareils ne dépassent pas la puissance nominale du générateur. Lorsque le générateur est utilisé pour alimenter plusieurs appareils électriques, commencez par brancher l'appareil nécessitant la puissance de

démarrage la plus haute et continuez ainsi en ordre décroissant.

### Trousses de haute altitude

À haute altitude, le mélange air/carburant standard est trop riche et peut provoquer une baisse des performances ainsi qu'une augmentation de la consommation de carburant. Un mélange trop riche peut également salir la bougie d'allumage et rendre le démarrage difficile. L'utilisation prolongée à de hautes altitudes peut provoquer une hausse des émissions.

L'installation d'une trousse de haute altitude lorsque nécessaire permet d'assurer un bon fonctionnement. Les trousse de haute altitude doivent être installées par un technicien qualifié. Communiquez avec un fournisseur de services agréé si le groupe électrogène doit être utilisé à des altitudes supérieures à 0,9 km (3 000 pieds) au-dessus du niveau de la mer.

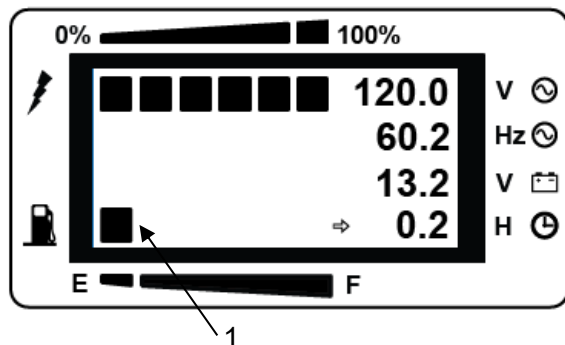
**Remarque :** À des altitudes supérieures à 2 400 m (8 000 pieds) au-dessus du niveau de la mer, le moteur peut subir une baisse de performances même si une trousse de haute altitude est installée.

## AVANT DE DÉMARRER LE MOTEUR

### Huile à moteur

Vérifiez le niveau d'huile avant chaque utilisation. Consultez la procédure décrite dans la section « Niveau d'huile moteur – Vérification » du présent manuel.

### Niveau de carburant - Vérification



1. Vérifiez la jauge de niveau de carburant (1).
2. Si le niveau de carburant est faible, retirez le bouchon du réservoir.
3. Vérifiez le filtre. Si le filtre est sale, nettoyez-le. Consultez les instructions décrites dans la section « Bouchon et filtre du réservoir de carburant – Nettoyage ».
4. Ajoutez du carburant. L'utilisation d'un stabilisateur de carburant est fortement recommandée puisque l'unité risque de ne pas être utilisée pendant de longues périodes de temps.
5. Après avoir rajouté du carburant, remettez le bouchon du réservoir de carburant.



Pour éviter des dommages corporels, soyez toujours prudent lorsque vous ajoutez du carburant :

- Ajoutez le carburant dans un espace bien ventilé.
- Arrêtez le moteur avant d'ajouter du carburant.
- Faites le plein uniquement lorsque le générateur est sur une surface plane.
- Laissez refroidir le moteur avant d'ajouter du carburant.
- Ne fumez pas lorsque vous alimentez le générateur en carburant.
- N'alimentez pas le générateur en carburant à proximité de flammes nues ou d'étincelles.
- Ne remplissez pas le réservoir de carburant au-delà de la ligne de remplissage.
- Évitez le contact répété ou prolongé avec la peau.
- Évitez l'inhalation prolongée de vapeurs de carburant.

Afin d'éviter d'endommager le générateur :


- Utilisez de l'essence sans plomb avec un indice d'octane supérieur ou égal à 86.
- Ne mélangez pas l'huile et l'essence.
- N'utilisez pas d'essence avec une teneur en éthanol supérieure à 10 %.
- N'utilisez pas d'essence usagée.
- Évitez la présence de saletés ou d'eau dans le réservoir à carburant.

## DÉMARRAGE DU MOTEUR

### Démarrage manuel

1. Tenez le générateur isolé du secteur.
2. Débranchez tous les appareils électriques des prises.
3. Tournez le commutateur du générateur à la position du volet de départ.
4. Tirez lentement sur la poignée du démarreur jusqu'à ce que vous ressentiez une résistance. Tirez ensuite complètement sur la poignée du démarreur. Si le moteur ne démarre pas, répétez l'étape 4 jusqu'au démarrage du moteur.
5. Après que le moteur a chauffé, tournez le commutateur du générateur sur la position « I ».

### Démarrage électrique (le cas échéant)

1. Tenez le générateur isolé du secteur.
2. Débranchez tous les appareils électriques des prises.
3. Tournez le commutateur du générateur à la position du volet de départ.
4. Appuyez sur le bouton de démarrage du générateur «  » jusqu'à ce que le moteur démarre, puis relâchez-le immédiatement.

**REMARQUE :** N'appuyez pas plus de 5 secondes sur le bouton de démarrage du générateur. Cela pourrait endommager le démarreur. Si le moteur ne démarre pas, attendez 10 secondes avant de réessayer.

5. Après que le moteur a chauffé, tournez le commutateur du générateur sur la position « I ».

## ARRÊT DU MOTEUR

1. Déconnectez le générateur / débranchez tous les appareils électriques.
2. Tournez le commutateur du générateur en position « 0 » (désactivé).

**REMARQUE :** Pour arrêter le moteur en cas d'urgence, placez le commutateur du générateur sur la position « 0 » (désactivé).

## MAINTENANCE

Assurez-vous que tous les renseignements concernant la sécurité, les avertissements et les instructions sont lus et compris avant d'effectuer toute procédure de maintenance.

Utilisez le nombre d'heures de fonctionnement ou la date du calendrier, SELON LA PREMIÈRE ÉCHÉANCE, afin de déterminer les intervalles d'entretien corrects.

Arrêtez le moteur avant d'effectuer l'entretien. Placez le générateur sur une surface plane et retirez le bouchon de la bougie d'allumage afin d'empêcher le moteur de démarrer. Ne faites jamais tourner le moteur dans une pièce non ventilée ni dans un espace clos.

### Lorsque nécessaire :

Bouchon et filtre du réservoir de carburant – Nettoyage

### À chaque utilisation :

Niveau d'huile moteur – Vérification  
Inspection visuelle

### Après les 20 premières heures d'utilisation ou au bout d'un mois :

Huile moteur – Changement

### Tous les mois :

Générateur – Inspection

### Toutes les 50 heures d'utilisation ou tous les 3 mois :

Pare-étincelles –  
Inspection/Nettoyage/Remplacement

### Toutes les 100 heures d'utilisation ou tous les 6 mois :

Huile moteur – Changement  
Filtre à air – Vérification  
Bougie d'allumage –  
Inspection/Réglage/Remplacement

### Toutes les 300 heures d'utilisation ou tous les ans :

Culasse de cylindre – Nettoyage  
Jeu des soupapes du moteur – Vérification

### Tous les 2 ans :

Conduit de carburant – Vérification/remplacement  
le cas échéant

**REMARQUE :** N'utilisez que des pièces Caterpillar d'origine.

## Générateur – Inspection

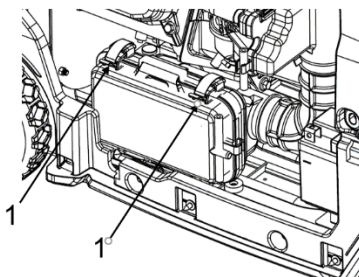
Une fois par mois, démarrez le moteur et laissez-le tourner jusqu'à ce qu'il atteigne une température de fonctionnement normale (environ 10 minutes). Branchez un appareil électrique câblé et allumez-le pour vérifier que le générateur fournit de l'électricité. Après avoir vérifié que le générateur fournit de l'électricité, éteignez l'appareil et débranchez-le. Éteignez ensuite le générateur.

## Filtre à air – Vérification

Un filtre à air sale empêche l'air de bien circuler dans le carburateur, augmente la consommation de carburant et peut endommager le moteur. Pour maintenir le générateur en bon état de marche, entretenez régulièrement le filtre à air. Entretenez-le plus fréquemment en cas d'utilisation du générateur dans des zones extrêmement poussiéreuses.

**Remarque :** N'utilisez jamais le générateur si le filtre à air n'est pas en place. Utiliser le générateur sans filtre à air entraîne une usure rapide du moteur.

Pour accéder au filtre à air, suivez la procédure indiquée à la rubrique « Connexion de la batterie » dans la section « INSTRUCTIONS POUR UNE PREMIÈRE UTILISATION ».



1. Pour accéder aux éléments en mousse et en papier filtre à air, détacher les deux attaches (1).
2. Déposer doucement le couvercle de filtre à air. nota, l'élément en papier doit être déposé avec le couvercle.

Vérifier la propreté de l'élément en papier. Si l'élément en papier est encrassé, remplacez-le.

Inspectez l'élément en mousse. Si l'élément en mousse est sale, lavez-le. Si l'élément en mousse est sale, lavez-le.

Utiliser de la solvant ininflammable ou un mélange de détergent ménager et d'eau chaude pour laver le filtre. rincer soigneusement la filtre pour éliminer toute la solution de nettoyage. remplacer le filtre une fois le filtre séché. Ne pas huile la filtre de mousse.

**Remarque :** Ne pas tordre le filtre. l'essorage de l'filtre peut endommager le filtre.

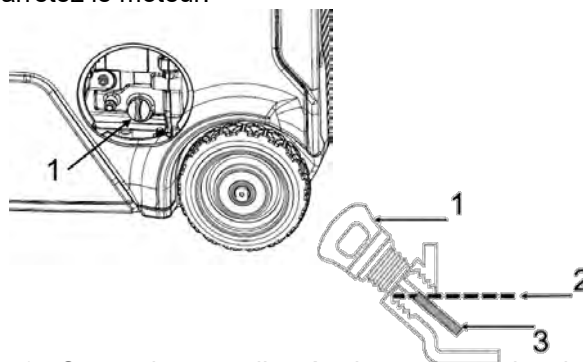
Utilisez un chiffon humide pour nettoyer la saleté présente sur le boîtier et sur le couvercle. Installez le filtre dans le logement. La remise en place de la trappe du filtre à air et du panneau latéral s'effectue dans l'ordre inverse de la procédure de retrait.

## Culasse de cylindre – Nettoyage

Seul le personnel de service qualifié doit effectuer cette procédure de maintenance. Communiquez avec votre centre de service local pour programmer cette opération de maintenance.

## Niveau d'huile moteur – Vérification

Pour vérifier le niveau d'huile moteur, mettez toujours le générateur sur une surface plane et arrêtez le moteur.



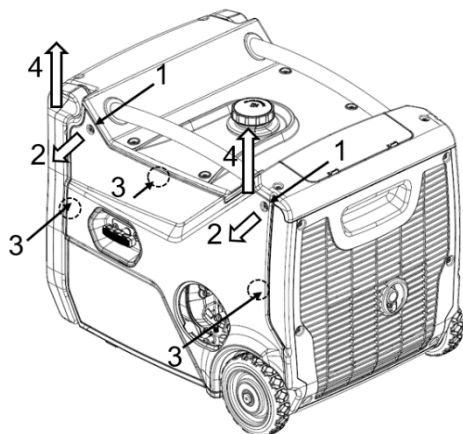
1. Ouvrez la porte d'accès de service, retirez la jauge du niveau d'huile (1) et nettoyez-la.
2. Vérifiez le niveau d'huile en introduisant à nouveau la jauge de niveau d'huile (ne l'insérez pas totalement).
3. Si le niveau de l'huile est bas (3), ajoutez l'huile moteur recommandée à l'aide de l'entonnoir fourni jusqu'à ce que le niveau atteigne la marque supérieure (2) de la jauge de niveau d'huile. Utilisez le tableau ci-dessous pour déterminer la viscosité de l'huile à utiliser.
4. Après avoir ajouté de l'huile, remettez en place et serrez la jauge de niveau d'huile (1), puis fermez la porte de service.

Viscosité recommandée à température ambiante				
Viscosité de l'huile	°C		°F	
	Min.	Max.	Min.	Max.
SAE 0W-40	-40	40	-40	104
SAE 5W-40	-30	50	-22	122
SAE 10W-30	-18	40	0	104
SAE 15W-40	-10	50	14	122

**Remarque :** Les huiles non détergentes ou pour moteur à 2 temps risquent d'endommager le moteur et ne doivent pas être utilisées.



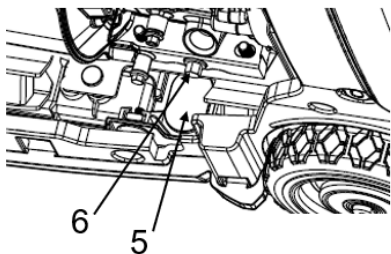
## Huile moteur – Changement



1. Faites tourner le moteur jusqu'à ce qu'il atteigne une température de fonctionnement normale. Arrêtez le moteur et utilisez un récipient adapté pour récupérer l'huile usée.
2. Dévissez les 2 pièces d'assemblage (1) sur le dessus du panneau latéral. Notez que ce sont des fixations imperdables et qu'elles ne peuvent pas être retirées du panneau latéral.
3. Tirez les fixations imperdables dans la direction montrée (2) afin d'ouvrir le haut du panneau latéral.
4. Tirez le panneau jusqu'à ce que les pièces d'assemblage cachées (3) se détachent.

**Important**, arrêtez de tirer une fois que les pièces d'assemblage (3) se sont détachées, sinon les languettes en bas du panneau latéral pourront s'endommager.

5. Pour retirer complètement le panneau latéral, levez-le verticalement (4) afin de libérer les languettes du bas.
6. Le panneau latéral doit être soigneusement mis de côté avec la corde de retour toujours attachée.



7. Placez soigneusement l'alternateur sur des cales en bois afin de placer un récipient vidange d'huile sous le œillet en caoutchouc (5).
8. Retirer le œillet en caoutchouc (5).
9. Dévisser le huile bouchon de vidange (6) et vidanger tous les huile moteur dans le récipient.
10. Remplacer le huile bouchon de vidange et le œillet en caoutchouc.
11. Nettoyer UP tout excès de huile. Remettez le panneau latéral en place en effectuant l'ordre inverse de la procédure de retrait.
12. Remplir le huile à l'aide de l'entonnoir (fourni) et contrôler le niveau d'huile. se référer à huile moteur Level-vérifier.
13. Monter et serrer le jauge de niveau de huile.

14. Refixer le panneau latéral en effectuant la procédure de dépose dans l'ordre inverse.
15. Mettre les huile usagés au rebut de manière appropriée.
16. Démarrez le moteur pendant un bref laps de temps et vérifiez l'absence de fuites.
17. Arrêtez le moteur et contrôler le niveau d'huile. ajouter huile si Level indique qu'il est nécessaire. se référer à huile moteur Level-vérifier.

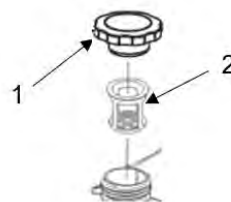
## Jeu des soupapes du moteur – Inspection/Réglage

Seul le personnel de service qualifié doit effectuer cette procédure de maintenance. Communiquez avec votre centre de service local pour programmer cette opération de maintenance.

## Conduit de carburant – Remplacement

Seul le personnel de service qualifié doit effectuer cette procédure de maintenance. Communiquez avec votre centre de service local pour programmer cette opération de maintenance.

## Bouchon et filtre du réservoir de carburant – Nettoyage



Essuyez le bouchon du réservoir de carburant (1) et la zone qui l'entoure avant de le retirer. Le fait d'essuyer le bouchon du réservoir de carburant et la zone qui l'entoure avant de le retirer permet de réduire la quantité de contaminants pouvant se retrouver dans le système de carburant.

Si une accumulation de débris est présente dans le filtre à carburant (2), retirez le filtre et rincez-le. Laissez le filtre sécher avant de l'installer.

## Pare-étincelles – Inspection/Nettoyage/Remplacement



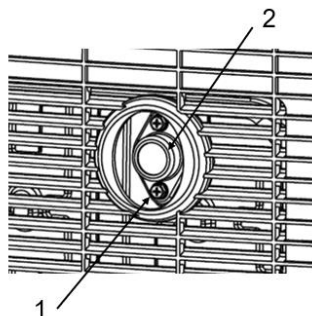
**Surface chaude**

**AVERTISSEMENT**

Les pièces chaudes ou les composants chauds peuvent provoquer des brûlures ou des blessures corporelles. Évitez tout contact entre les pièces ou composants chauds et votre peau. Utilisez des vêtements de protection ou un équipement de protection pour protéger votre peau.

N'effectuez PAS cette procédure d'entretien avant que le silencieux ait eu le temps de refroidir.

Cette unité dispose d'un pare-étincelles fixé à la sortie d'échappement du silencieux. Le pare-étincelles doit être nettoyé avec une brosse métallique douce toutes les 50 heures de fonctionnement ou tous les 3 mois. Le pare-étincelles doit être remplacé toutes les 100 heures de fonctionnement ou lorsqu'il est endommagé.

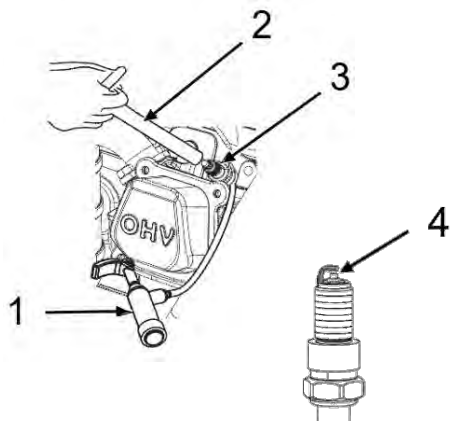


Retirez les vis (1). Retirez le pare-étincelles (2) et inspectez-le. Nettoyez-le soigneusement avec une brosse métallique douce. Si le pare-étincelles est endommagé, remplacez-le.

Pour installer le pare-étincelles, alignez les trous de fixation du pare-étincelles avec les trous de fixation du silencieux. Insérez les vis (1) et serrez-les fermement.

### Bougie d'allumage – Inspection/Réglage/Remplacement

Consultez la section Caractéristiques du présent manuel afin de déterminer la référence de bougie d'allumage et l'écartement de bougie adaptés à votre produit.



1. N'effectuez PAS cette opération de maintenance lorsque le moteur est en marche.
2. Placez le commutateur du générateur sur la position « O » (désactivé).
3. Retirez le panneau latéral suivant la procédure dans la section « Filtre à air – Vérification ».

4. Enlevez la coiffe de la bougie d'allumage (1) en la tirant du dessus de la bougie d'allumage.
5. Utilisez la clé à bougie (2) ou une douille à bougie pour retirer la bougie d'allumage (3).
6. Effectuez une vérification visuelle de la bougie afin de vérifier si elle est endommagée. Si l'isolant est craquelé, remplacez la bougie d'allumage. Si l'électrode est endommagée, remplacez la bougie d'allumage.
7. Mesurez l'écartement de la bougie (4) à l'aide d'une jauge d'épaisseur. Ajustez l'écartement en pliant délicatement l'électrode au besoin. Consultez la section « Spécifications » pour l'écartement correct de votre produit.
8. Installez la bougie d'allumage à la main et resserrez-la à  $9 \pm 2$  lb pi ( $12,5 \pm 2$  Nm). Ne serrez PAS trop, car cela peut endommager le moteur.
9. Remettez la coiffe de la bougie d'allumage ainsi que le panneau latéral.

### Inspection visuelle

Avant de démarrer le moteur, effectuez une inspection visuelle de l'unité. Éléments à vérifier :

- Niveau d'huile correct
- Niveau de carburant correct
- Carburant de bonne qualité
- Fuites de liquide
- Pincés mal serrés
- Boulons mal serrés
- Conduit de carburant craquelé
- Câbles mal serrés ou effilochés
- Accumulation de débris

Vérifiez également que :

- La borne de terre est branchée de façon adéquate.

## ENTREPOSAGE

Lorsqu'un générateur est entreposé, de l'humidité due à une condensation de l'air peut apparaître sur les bobinages. Afin de réduire la condensation, entreposez toujours le générateur dans un espace sec. Couvrez le générateur avec une housse de protection s'étendant jusqu'au sol. La housse doit rester ample autour du générateur afin de permettre une bonne ventilation.

Le générateur ne doit pas être entreposé à des températures ambiantes supérieures à 131 °F (55 °C), sous peine d'endommager le CO DEFENSE™ (si l'appareil en est équipé).

Attendre que l'alternateur refroidisse avant de le couvrir. NE jamais utiliser le genrator avec le couvercle monté. Il risque d'enflammer et de provoquer des dégâts.

### Entreposage de 1 à 3 mois

Retirez la saleté, la rouille, la graisse et l'huile du générateur. N'utilisez PAS de laveuse à pression pour nettoyer le générateur. Inspectez l'extérieur. Effectuez toutes les réparations nécessaires.

Ajoutez un stabilisateur de carburant dans le réservoir de carburant pour éviter la dégradation de l'essence. Démarrez le moteur et laissez-le tourner pendant 5 minutes pour que le stabilisateur de carburant soit aspiré par le carburateur. Éteignez le moteur et laissez-le refroidir.

Placez le commutateur du générateur sur la position « O » (désactivé).

Déplacez le générateur vers le site d'entreposage.

Couvrez le générateur.

## Entreposage de plus de 3 mois

Retirez la saleté, la rouille, la graisse et l'huile du générateur. N'utilisez PAS de laveuse à pression pour nettoyer le générateur. Inspectez l'extérieur. Effectuez toutes les réparations nécessaires.

### AVERTISSEMENT

L'essence est extrêmement inflammable et peut devenir explosive dans certaines conditions. Vérifiez que le moteur est arrêté et froid, puis vidangez le carburant dans une zone bien aérée. Ne fumez jamais et n'émettez aucune flamme nue ou étincelle à proximité pendant cette procédure.

Retirez le bouchon du réservoir et renversez le générateur pour verser l'essence dans un récipient adapté. Remplacez le bouchon du réservoir, puis démarrez et faites tourner le moteur jusqu'à ce qu'il s'arrête, afin de permettre la vidange du carburant présent dans les conduits de carburant, dans le carburateur et dans le moteur.

Changez l'huile moteur. Consultez la section Huile moteur – Changement.

Retirez la bougie d'allumage et versez une petite quantité d'huile dans le cylindre. Installez la bougie d'allumage, mais pas le boîtier de la bougie d'allumage.

Placez le commutateur du générateur sur la position « O » (désactivé).

Déplacez le générateur vers le site d'entreposage.

Branchez le chargeur d'entretien au port situé sur le panneau de commande et à l'alimentation CA standard pour maintenir la batterie du générateur complètement chargée et pouvoir le démarrer facilement après l'entreposage. Débranchez le chargeur de la batterie une fois que celle-ci est complètement chargée (indiqué par un voyant vert sur le chargeur).

Couvrez le générateur.

# DÉPANNAGE

Problème :	Cause possible :	Solution :	Vérification :
<b>Le moteur ne démarre pas</b>	Commutateur du générateur dans la position « 0 » (désactivé)	Tournez le commutateur du générateur dans la bonne position.	Démarrez le moteur.
	Générateur en position renversée	Redressez le générateur.	
	Pas de carburant	Remplissez le réservoir de carburant.	
	Carburant contaminé ou inadéquat	Vérifiez le carburant.	
	Manque d'huile dans le moteur	Vérifiez le niveau d'huile. S'il est faible, ajoutez l'huile recommandée.	
	Filtre à air sale	Nettoyez le filtre à air.	
	Pas d'étincelle d'allumage	Remplacez la bougie d'allumage.	
	Pour un démarrage électrique, démarrez le moteur en utilisant le démarreur manuel.	Si le générateur démarre, vérifiez la tension de la batterie sur l'écran ACL. Si la batterie fournit moins de 12,4 V, chargez la batterie.	
	Huile dans la chambre de combustion	Retirez la bougie d'allumage, tournez le commutateur du générateur en position « 0 » (désactivé), tirez quatre fois sur le démarreur manuel pour vidanger l'huile de la chambre de combustion.	
Si le moteur ne démarre toujours pas :	Emmenez l'unité chez un fournisseur de services agréé.		
<b>Le moteur fonctionne de façon irrégulière (sans charge)</b>	Filtre à air sale	Arrêtez le moteur et vérifiez le filtre à air. Nettoyez-le si nécessaire.	Démarrez le moteur / vérifiez s'il fonctionne de façon irrégulière.
	Générateur en position renversée	Redressez le générateur.	
	Si le moteur continue à fonctionner de façon irrégulière :	Emmenez l'unité chez un fournisseur de services agréé.	
<b>Le moteur s'éteint</b>	Plus de carburant	Vérifiez le carburant. Remplissez le réservoir de carburant si nécessaire.	Démarrez le moteur / vérifiez s'il s'arrête.
	Manque d'huile dans le moteur	Vérifiez le niveau d'huile. S'il est faible, ajoutez l'huile recommandée.	
	Filtre à air sale	Nettoyez le filtre à air.	
	Arrêt en raison d'une accumulation de monoxyde de carbone et témoin clignotant en rouge	Suivez toutes les instructions de sécurité sur l'étiquette CO Action	
	Surcharge du générateur	Débranchez certains appareils.	
	Arrêt en raison d'une défaillance du système CO DEFENSE™ et témoin à l'orange fixe	Emmenez l'unité chez un fournisseur de services agréé.	
Si le moteur continue à s'arrêter :			
<b>Le moteur fonctionne de façon irrégulière (avec charge)</b>	Filtre à air sale	Arrêtez le moteur et vérifiez le filtre à air. Nettoyez-le si nécessaire.	Démarrez le moteur / vérifiez s'il fonctionne de façon irrégulière.
	Surcharge du générateur	Débranchez certains appareils.	
	Un appareil défectueux est branché	Débranchez l'appareil défectueux.	
	Si le moteur continue à fonctionner de façon irrégulière :	Emmenez l'unité chez un fournisseur de services agréé.	
<b>Le moteur fonctionne, mais le générateur ne fournit aucune alimentation</b>	Surcharge du générateur, le voyant de surcharge s'allume	Arrêtez et débranchez tous les appareils électriques, arrêtez le moteur, patientez pendant 10 minutes avant de redémarrer, branchez moins d'appareils électriques ou des appareils de charges inférieures.	Démarrez le moteur / vérifiez s'il fournit une alimentation.
	Mauvais branchement	Arrêtez le moteur et vérifiez les branchements.	
	Cordon d'alimentation défectueux	Remplacez le cordon.	
	Un appareil défectueux est branché	Débranchez l'appareil défectueux.	
	Si il n'y a toujours pas d'alimentation :	Emmenez l'unité chez un fournisseur de services agréé.	

## CARACTÉRISTIQUES

Type de moteur	Cylindre unique, 4 temps, refroidissement par air forcé
Cylindrée (cc)	212
Système d'allumage	Électronique
Écartement de la bougie	0,7 à 0,8 mm (0,028 à 0,032 po)
Volume de carburant	2,1 gallons américains (8 L)
Consommation de carburant (g/(kWh))	≤ 395
Temps de fonctionnement continu avec charge continue 100 % (h)	4.8
Temps de fonctionnement continu avec charge continue 50 % (h)	8.0
Capacité en huile	0,60 pinte (0,56 L)
Sortie nominale (CC)	12 V 8,3 A
Fréquence nominale (Hz)	60
Tension nominale (V)	120
Puissance de sortie nominale (kW)	3,2
Puissance de sortie en pic de surtension (kW)	4,0
Phase	Monophasé
Distorsion harmonique totale	< 3%

# DÉCLARATION DE GARANTIE DU CONTRÔLE DES ÉMISSIONS DE GAZ D'ÉCHAPPEMENT ET PAR ÉVAPORATION

## Les droits et obligations de votre garantie

La California Air Resources Board (CARB), l'agence des États-Unis pour la protection de l'environnement (EPA) et Caterpillar Inc. ont le plaisir de vous expliquer la garantie du système de contrôle des émissions de gaz d'échappement et par évaporation de votre petit moteur/équipement hors route de l'année modèle 2019. Aux États-Unis et en Californie, les nouveaux équipements utilisant des petits moteurs hors route doivent être conçus, fabriqués et équipés conformément à des normes d'émission rigoureuses. Caterpillar doit garantir le système de contrôle des émissions de votre petit moteur/équipement hors route pour la période indiquée ci-dessous, à condition que celui-ci n'ait pas fait l'objet d'un usage abusif, de négligence ou d'un manque d'entretien entraînant la défaillance du système de contrôle des émissions.

Votre système de contrôle des émissions peut inclure des pièces comme le carburateur ou le système d'injection, le système d'allumage, le pot catalytique, les réservoirs et les conduits de carburant (pour les carburants liquides et les vapeurs d'essence), les bouchons de réservoir, les soupapes, les cartouches, les filtres, les tuyaux d'évaporation, les fixations, les raccords, les courroies et d'autres composants connexes. Peuvent également être inclus les tuyaux, les ceintures, les assembleurs et les autres pièces d'assemblage relatives au système d'émissions.

Si la garantie s'applique, Caterpillar réparera votre petit moteur/équipement hors route gratuitement, y compris pour le diagnostic, les pièces et la main-d'œuvre.

## Garantie du constructeur

Ce système de contrôle des émissions est garanti trois ans. Si une pièce relative aux émissions de votre petit moteur/équipement hors route est défectueuse, la pièce sera réparée ou remplacée par Caterpillar.

## Responsabilités du propriétaire relatives à la garantie

En tant que propriétaire du petit moteur/équipement hors route, vous êtes responsable de la réalisation de l'entretien requis indiqué dans votre manuel du

propriétaire. Caterpillar vous recommande de conserver toutes les factures couvrant l'entretien de votre petit moteur/équipement hors route, mais ne pourra pas annuler la garantie au seul motif de l'absence de facture ou pour la non-exécution de tout entretien programmé.

En tant que propriétaire du petit moteur/équipement hors route, vous devez toutefois être conscient que Caterpillar peut annuler la couverture de garantie si la défaillance de votre petit moteur/équipement hors route ou d'une pièce est due à un usage abusif, à de la négligence, à un manque d'entretien ou à des modifications non approuvées.

Vous êtes tenu de présenter votre petit moteur/équipement hors route à un centre de distribution ou point de vente Caterpillar dès qu'un problème se présente. Les réparations sous garantie doivent être effectuées dans un délai raisonnable ne dépassant pas 30 jours.

Pour toute question concernant vos droits et responsabilités liés à la garantie, n'hésitez pas à joindre Caterpillar au +1 844 797 6387 ou par courriel : [homeandoutdoorpower@cat.com](mailto:homeandoutdoorpower@cat.com).

## Exigences de garantie pour les défauts :

- (a) La période de garantie débute le jour où le moteur/l'équipement est livré à un dernier acheteur.
- (b) Champ d'application général de la garantie concernant les émissions. Caterpillar garantit au dernier acheteur et à chaque utilisateur ultérieur que le moteur ou l'équipement est :
  - (1) conçu, fabriqué et équipé conformément à toutes les réglementations applicables adoptées par le comité Air Resources Board; et
  - (2) Exempt de défauts de matériaux et de fabrication qui pourraient entraîner la défaillance d'une pièce garantie pendant trois ans.
- (c) La garantie sur les pièces relatives aux émissions sera interprétée comme suit :
  - (1) Toute pièce garantie pour laquelle les instructions écrites ne prévoient pas le remplacement dans le calendrier des entretiens requis doit être garantie pendant la période de garantie prévue à la sous-section (b)(2). Si ladite pièce tombe en panne pendant la période de garantie, elle doit être réparée ou remplacée par Caterpillar conformément à la sous-section (4) ci-dessous. Toute pièce réparée ou remplacée en vertu de la garantie doit être garantie pour le reste de la période de garantie.
  - (2) Toute pièce garantie pour laquelle les instructions écrites prévoient seulement une inspection régulière doit être garantie pendant la période de garantie prévue à la sous-section (b)(2). Une déclaration dans les instructions écrites du type « réparer ou remplacer au besoin » doit informer les propriétaires du champ d'application de la garantie pour les pièces relatives aux émissions.



- Le remplacement dans la période de garantie est couvert par la garantie et ne réduira pas la période de garantie. Toute pièce réparée ou remplacée en vertu de la garantie doit être garantie pour le reste de la période de garantie.
- (3) Toute pièce garantie pour laquelle les instructions écrites prévoient le remplacement dans le calendrier des entretiens requis doit être garantie pour la période en vigueur avant le premier remplacement de cette pièce. Si la pièce tombe en panne avant le premier remplacement prévu, elle doit être réparée ou remplacée par Caterpillar, conformément à la sous-section (4) ci-dessous. Toute pièce réparée ou remplacée en vertu de la garantie doit être garantie pour le reste de la période de garantie avant le premier remplacement prévu.
- (4) La réparation ou le remplacement de toute pièce garantie en vertu de la garantie doivent être effectués par une station technique agréée, sans frais pour le propriétaire.
- (5) Nonobstant les dispositions de la sous-section (4) ci-dessus, les services ou les réparations sous garantie doivent être fournis dans les centres de distribution Caterpillar autorisés à réparer les moteurs ou les équipements en question.
- (6) Le propriétaire ne doit payer aucuns frais pour le diagnostic menant à la conclusion qu'une pièce couverte par la garantie est défectueuse, à condition que ce diagnostic soit réalisé dans une station technique agréée.
- (7) Caterpillar est responsable des dommages aux autres pièces du moteur/de l'équipement susceptibles d'avoir été causés par une pièce couverte par la garantie.
- (8) Tout au long de la période de garantie du système de contrôle des émissions prévue à la sous-section (b)(2), Caterpillar doit maintenir un approvisionnement suffisant de pièces garanties pour répondre à la demande prévue et doit obtenir des pièces supplémentaires si l'approvisionnement est épuisé.
- (9) Le remplacement des pièces, qui a été approuvé par le fabricant et qui n'augmente pas les émissions de gaz d'échappement ou par évaporation du moteur ou du système de contrôle des émissions, doit être utilisé dans le cadre de tout entretien et toute réparation sous garantie et sans frais pour le propriétaire. Cela ne limite pas les obligations de garantie de Caterpillar.
- (10) Les pièces complémentaires ou modifiées qui ne sont pas exemptées par le comité Air Resources Board ne peuvent pas être utilisées. L'utilisation de pièces complémentaires ou modifiées non exemptées peut justifier le refus d'une réclamation au titre de la garantie. Caterpillar n'est pas dans l'obligation de garantir les pièces dont la défaillance a été causée par l'utilisation d'une pièce complémentaire ou modifiée non exemptée.
- (11) Caterpillar doit fournir tous les documents qui décrivent les procédures et les politiques de garantie dans les cinq jours ouvrables qui suivent la demande du dirigeant.
- (d) Liste des pièces garanties relatives aux émissions de gaz polluants :
- (1) Système de dosage du carburant
- (i) Carburateur et composants internes (et/ou régulateur de pression ou système d'injection).
- (ii) Système de rétroaction et de contrôle du rapport air/carburant
- (iii) Système d'enrichissement pour démarrage à froid
- (2) Système d'admission d'air
- (i) Système d'admission contrôlée d'air chaud
- (ii) Collecteur d'admission
- (iii) Filtre à air
- (3) Système d'allumage
- (i) Bougies d'allumage
- (ii) Système d'allumage électromagnétique ou électronique
- (iii) Système d'avance/retard à l'allumage
- (4) Système de recyclage des gaz d'échappement (RGE)
- (i) Corps de soupape RGE et entretoise de carburateur, le cas échéant.
- (ii) Système de rétroaction et de contrôle du taux de RGE
- (5) Système d'injection d'air
- (i) Pompe à air ou soupape à impulsion
- (ii) Soupapes affectant le débit
- (iii) Collecteur de distribution
- (6) Catalyseur ou système de réacteur thermique
- (i) Convertisseur catalytique
- (ii) Réacteur thermique
- (iii) Collecteur d'échappement
- (7) Contrôles de particules
- (i) Purgeurs, filtres, précipitateurs et tout autre dispositif utilisé pour capturer les émissions de particules
- (8) Pièces diverses utilisées dans les systèmes énumérés ci-dessus
- (i) Commandes électroniques
- (ii) Soupapes et interrupteurs sensibles au vide, à la température et au temps
- (iii) Tuyaux, courroies, raccords et assemblages.
- (e) Liste des pièces garanties relatives aux émissions par évaporation :
- (1) Réservoir de carburant
- (2) Bouchon du réservoir de carburant
- (3) Conduites de carburant (pour le carburant liquide et les vapeurs de carburant)
- (4) Raccords de conduite de carburant
- (5) Fixations\*
- (6) Soupapes de décompression\*
- (7) Soupapes de contrôle\*
- (8) Solénoïdes de commande\*
- (9) Commandes électroniques\*
- (10) Membranes de contrôle du vide\*
- (11) Câbles de contrôle\*
- (12) Liens de contrôle\*
- (13) Valves de purge\*
- (14) Joints\*
- (15) Séparateur liquide/vapeur
- (16) Absorbant de vapeurs d'essence
- (17) Supports de montage de l'absorbant
- (18) Connecteur du port de purge du carburateur
- \*Remarque : Concernant le système de contrôle des émissions par évaporation

# GARANTIE

## GARANTIE LIMITÉE CATERPILLAR POUR LE MODÈLE DE GÉNÉRATEUR À ONDULEUR : INV4000 E achats aux États-Unis et au Canada

Caterpillar (Newberry) LLC. (Caterpillar) garantit à l'acheteur original que tout produit de générateur portable de marque CatMD acheté aux États-Unis ou au Canada est exempt de défaut matériel ou de fabrication pour la durée de la garantie définie dans les présentes et ce, à condition que le produit soit exécuté, entretenu et utilisé selon les instructions et les manuels de Caterpillar. Caterpillar réparera ou remplacera, à son gré, toute pièce qui, après vérification par Caterpillar ou un représentant de service agréé de Caterpillar, s'avère être défectueuse pendant la période de la garantie définie dans les présentes. Tout produit que l'acheteur revendique être défectueux doit être renvoyé à Caterpillar aux fins d'une vérification par le représentant de service agréé Caterpillar le plus proche, sis aux États-Unis ou au Canada. Les frais de transport et les frais connexes ainsi que les risques de perte incombent à l'acheteur.

### Période de garantie :

Tous les nouveaux générateurs à onduleur sont garantis pour une utilisation normale pendant une période de deux (2) ans à compter de la date d'achat originale ou 1 000 heures de fonctionnement, selon la première éventualité. Si la preuve d'achat initial n'est pas présentée, la date d'expédition du fabricant sera utilisée pour déterminer le début de la période de garantie. Pour obtenir de l'aide concernant toute réclamation de garantie, l'acheteur d'origine doit enregistrer le produit sur [www.cat.com/alimentation-exterieure-et-domestique-support](http://www.cat.com/alimentation-exterieure-et-domestique-support) immédiatement suivant l'achat du produit.

En enregistrant le produit sur [www.cat.com/alimentation-exterieure-et-domestique-support](http://www.cat.com/alimentation-exterieure-et-domestique-support) dans les trente (30) jours suivant la date d'achat, les acheteurs originaux ont également la possibilité de prolonger la période de garantie d'un (1) an supplémentaire pour un total de trois (3) ans, calculés à partir de la date d'achat originale du produit. La garantie est limitée à une durée d'utilisation de 1 000 heures au total pour la durée de la période de garantie.

### Cette garantie ne s'applique pas dans les situations suivantes :

1. Endommagement ou détérioration de la pièce dû(e) à une usure normale.
2. Défauts imputables à une cause externe ou à des cas de force majeure comme les accidents, les collisions, le vol, le vandalisme, les émeutes, les guerres, les incendies, les gelées, les orages, les tremblements de terre, les tempêtes, la grêle, les éruptions volcaniques, les inondations, les tornades ou les ouragans.
3. Défauts imputables à des modifications, à des ajustements, à des réglages non autorisés ayant trait au carburant, à une négligence ou à un stockage, une réparation ou un entretien non adéquats.
4. Défauts imputables à une utilisation abusive ou à un usage du produit à des fins autres que celles conçues ou prévues par le fabricant, notamment en cas de mauvaise installation ou d'une installation dans un environnement pollué, rude, corrosif ou salin.
5. Défauts imputables à des raccordements, à des pièces accessoires et à des pièces non vendus, non fabriqués ou non autorisés par Caterpillar.
6. Défauts imputables à des carburants, des huiles ou d'autres sources d'énergie pollués ou non adaptés, ou à des niveaux de liquide inadéquats.
7. Défauts imputables à un retard de l'utilisateur dans la mise à disposition du produit après que lui a été signalée l'existence d'un risque lié au produit.
8. Dommages esthétiques, décolorations, rouille, corrosion ou rayures sur la peinture.
9. Remplacement des produits consommables, notamment des fusibles, des lampes, des filtres, etc.
10. Réparation de toute pièce par un tiers n'agissant pas en tant que représentant de service agréé de Caterpillar.
11. Frais supplémentaires en cas de réparation en dehors des heures d'ouverture normales, c.-à-d. à un tarif de main-d'œuvre en heures supplémentaires ou en période de vacances.
12. Frais de location d'équipement pendant les pannes ou l'exécution des réparations sous garantie.
13. Frais liés à l'examen des réclamations pour sous-performance ou au dépannage si aucun défaut de fabrication n'est trouvé.
14. Les batteries de démarrage ne sont PAS couvertes par la présente garantie, mais seront couvertes par la garantie des pièces du générateur portable.

Pour bénéficier du service de garantie ou pour toute question relative à cette garantie ou à son application, veuillez appeler le +1 844 797-6387 ou vous rendre sur le site [www.cat.com/alimentation-exterieure-et-domestique-support](http://www.cat.com/alimentation-exterieure-et-domestique-support), pour localiser votre représentant de service agréé Cat le plus proche.

## CLAUSE COMPROMISSOIRE DE CONSOMMATION : ARBITRAGE EXÉCUTOIRE INDIVIDUEL OBLIGATOIRE PLUTÔT QUE TRIBUNAL; RENONCIATION AUX RECOURS COLLECTIFS

- a. Caterpillar et vous-même acceptez tous deux que dans la mesure où la loi en vigueur le permet, tous les conflits et revendications qui découlent des produits relatifs aux générateurs portables de la marque Cat ou aux services y afférents, ou qui y sont liés de quelque façon que ce soit, ainsi que de tout type de publicité pour l'un quelconque de ces produits ou services, y compris toute question concernant l'existence, la validité ou la résiliation de la présente Garantie limitée Caterpillar, ainsi que tout problème lié à l'interprétation des conditions générales de la présente Clause compromissoire de consommation, soient résolus par arbitrage exécutoire devant un arbitre unique, plutôt que devant un tribunal, sauf dans le cas où votre revendication peut être effectuée devant la Cour des petites créances. Cela comprend toute revendication survenue avant que vous acceptiez la présente Garantie limitée Caterpillar, que les versions précédentes de ladite Garantie limitée aient instauré ou non un arbitrage. Aux États-Unis, The Federal Arbitration Act (9 U.S.C § 1 et suivants), ainsi que les lois fédérales relatives à l'arbitrage s'appliquent à la Garantie limitée Caterpillar et aux conditions générales de la présente Clause compromissoire de consommation.
- b. C'est un arbitre neutre plutôt qu'un juge et un jury qui se charge de l'arbitrage. Un arbitre peut, individuellement, attribuer les mêmes dommages-intérêts et mesures de redressement qu'un tribunal (y

compris des mesures injonctives, de redressement déclaratoire ou des dommages-intérêts d'origine législative) et doit, comme le ferait un tribunal, appliquer les modalités de la présente Garantie limitée (y compris les conditions générales de la présente Clause compromissoire de consommation). Les procédures d'arbitrage permettent des interrogatoires préalables plus limités, et la révision judiciaire d'une sentence d'arbitrage est également limitée.

- c. Si vous avez une revendication et cherchez à obtenir un arbitrage ou à faire une réclamation devant la Cour des petites créances, vous devez au préalable envoyer à Caterpillar, par courrier certifié, un avis de réclamation qui (a) décrit la nature et l'origine de la réclamation ou du conflit, (b) présente la réparation spécifique sollicitée et (c) contient une adresse physique et une adresse courriel auxquelles il est possible de vous joindre (« Avis »). Cet Avis doit être adressé à : General Counsel, Caterpillar Inc., 100 N.E. Adams St. Peoria Illinois 61629 (« Adresse de l'Avis ») et mentionner un « Avis de revendication dans le cadre de la Garantie limitée Caterpillar ». Si Caterpillar et vous ne parvenez pas à un accord pour régler le conflit dans les 60 jours suivant la réception de l'Avis, vous ou Caterpillar pouvez entamer une procédure d'arbitrage ou faire une revendication devant la Cour des petites créances.
- d. Vous pouvez télécharger ou copier un formulaire pour amorcer une procédure d'arbitrage à l'adresse <http://www.adr.org>. Si vous devez

- payer un droit de dépôt, après que Caterpillar a été informé à l'Adresse de l'Avis que vous avez entamé une procédure d'arbitrage, Caterpillar vous remboursera ce droit de dépôt, sauf si votre revendication concerne une somme supérieure à 25 000 \$ US, auquel cas les droits de dépôt seront à votre charge.
- e. L'arbitrage est régi par le Règlement d'arbitrage (Consumer Arbitration Rules) alors en vigueur de l'Association américaine d'arbitrage (AAA), sous réserve des modalités établies par la présente Garantie limitée (y compris les conditions générales de la présente Clause compromissoire de consommation), et sera effectué par l'AAA. Les règlements et formulaires de l'AAA sont disponibles en ligne à l'adresse [www.adr.org](http://www.adr.org) ou en appelant l'AAA au 1 800 778-7879. Dans le cas de tout conflit entre les conditions établies dans le présent document et le Règlement d'arbitrage de l'AAA, ces conditions s'appliqueront.
  - f. Si votre revendication s'élève à moins de 25 000 \$ US, Caterpillar prendra en charge tous les frais administratifs et d'arbitrage, y compris la rémunération de l'arbitre, et vous remboursera tous les frais administratifs et d'arbitrage que vous engagez. Si votre revendication s'élève à plus de 25 000 \$ US, les parties prendront en charge à parts égales les frais d'administration et d'arbitrage, y compris la rémunération de l'arbitre, sauf pour les frais que Caterpillar est tenu de régler en totalité en vertu du Règlement d'arbitrage de l'AAA. Chaque partie prend à sa charge les frais relatifs à ses propres avocats, experts et témoins ainsi qu'à la préparation et la présentation des preuves dans toute audience d'arbitrage.
  - g. Si votre revendication s'élève à 25 000 \$ US ou moins, vous et Caterpillar convenez que vous pouvez choisir si l'arbitrage a lieu uniquement à partir de documents ou par audience téléphonique. Vous pouvez aussi demander une audience en personne, que l'arbitre pourra accorder à son entière discrétion. Si l'arbitre accorde une audience en personne, ladite audience sera tenue soit dans un lieu choisi d'un commun accord, soit dans un lieu choisi par l'AAA ou l'arbitre. Dans le cadre de ladite audience en personne, les parties ou leurs témoins sont autorisés à participer à distance par vidéoconférence ou d'autres moyens similaires. Si votre revendication s'élève à plus de 25 000 \$ US, le droit à l'audience sera déterminé par l'arbitre.
  - h. Vous et Caterpillar convenez que, dans la mesure où la loi en vigueur le permet, toute procédure de résolution de conflit, qu'elle ait lieu devant un tribunal ou un arbitre, est effectuée de façon individuelle uniquement et n'est pas un recours collectif, en représentation conjointe, une action conjointe ou une action de masse. Ni Caterpillar ni vous-même ne pouvez appuyer des revendications effectuées par une tierce partie ou à son encontre ou vous y joindre, ou arbitrer ou participer de quelque façon que ce soit à toute revendication en tant que représentant de groupe, membre d'un groupe ou procureur général. Dans l'éventualité où la présente disposition ne serait pas applicable, l'intégralité des conditions générales des présents alinéas relatifs à la Résolution et l'arbitrage des conflits (excepté l'alinéa (k)) est nulle et non avenue.
  - i. Tous les arbitrages sont confidentiels. Ni vous, ni Caterpillar, ni l'AAA, ni l'arbitre ne pouvez divulguer l'existence, le contenu (y compris tout dépôt oral ou écrit), ou les résultats d'un arbitrage, sauf si la loi l'exige ou dans le but d'appliquer ou de contester la sentence d'arbitrage.
  - j. Vous pouvez vous désengager de cette procédure de résolution des conflits en envoyant un avis écrit à Caterpillar à l'Adresse de l'Avis dans les 30 jours civils à compter de la date de votre achat de produits ou services Caterpillar (ou la date de première utilisation dans le cas de produits ou de services gratuits) couverts par la présente Garantie limitée. Vous désengager de cette procédure de résolution des conflits ne portera atteinte en aucune façon à la couverture ou aux conditions d'application de la Garantie limitée ou à votre capacité à acheter ou à utiliser des produits ou services relatifs aux génératrices portatives de la marque Cat.
  - k. Si pour quelque raison que ce soit, une revendication a lieu devant un tribunal plutôt que devant un arbitre ou la Cour des petites créances, y compris si vous vous désengagez en vertu de l'alinéa (j), dans la mesure où la loi en vigueur le permet, nous renonçons chacun au droit à un procès par jury et convenons que ladite procédure doit avoir lieu individuellement et non par recours collectif, populaire ou de masse, ou en représentation conjointe. Dans de telles conditions, vous et Caterpillar convenez que dans la mesure où un conflit survient concernant une génératrice portative de la marque Cat vendue aux États-Unis, les tribunaux fédéraux et étatiques de l'État de l'Illinois ont compétence exclusive pour instruire et juger ladite revendication, et vous soumettez à la compétence personnelle de tout tribunal fédéral ou étatique de l'État de l'Illinois, et reconnaissez que toute circonscription judiciaire de l'État de l'Illinois a juridiction. Si l'une quelconque des présentes dispositions de Résolution et d'arbitrage des conflits ou le présent alinéa (k) s'avère inexécutable, le reste des présentes dispositions de Résolution et d'arbitrage des conflits ou le présent alinéa (k) demeure pleinement en vigueur.
  - l. Si l'une quelconque des dispositions du présent contrat se révèle invalide ou inexécutable dans une affaire ou une juridiction spécifique, ladite disposition est dissociable dans cette affaire ou cette juridiction, le cas échéant, sans conséquence pour la validité et la force exécutoire des autres dispositions du contrat, et ne porte pas atteinte à la validité et à la force exécutoire du contrat dans toute autre affaire ou juridiction.

#### Loi en vigueur

- m. En achetant ou utilisant tout produit relatif aux génératrices portatives de la marque Cat ou aux services y afférant, vous acceptez que, dans la mesure où la loi en vigueur le permet, le Federal Arbitration Act, la loi fédérale en vigueur et la loi de l'État de l'Illinois, sans égard aux règles régissant les conflits de lois, régissent les modalités de la présente Garantie limitée ainsi que tout conflit de quelque nature que ce soit qui pourrait survenir entre vous et Caterpillar en lien avec lesdits produits ou services.
- n. Si un conflit découle d'une génératrice portative de la marque Cat vendue au Canada, les modalités précédentes de résolution et d'arbitrage des conflits s'appliquent dans la mesure où la loi en vigueur le permet. Si les modalités ci-dessus ne sont pas obligatoires pour vous

#### Limitations

CETTE GARANTIE REMPLACE TOUTE AUTRE GARANTIE EXPLICITE OU IMPLICITE. CATERPILLAR N'ÉMET DE MANIÈRE PARTICULIÈRE AUCUNE AUTRE GARANTIE QUANT À LA VALEUR COMMERCIALE OU À L'UTILITÉ AUX FINS D'UN USAGE PARTICULIER DE SES PRODUITS. LA SEULE RESPONSABILITÉ DE CATERPILLAR CONSISTE À ASSURER LA RÉPARATION OU LE REMPLACEMENT DES PIÈCES CONFORMÉMENT À L'ÉNONCÉ CI-DESSUS. CATERPILLAR NE POURRA EN AUCUN CAS ÊTRE TENUE RESPONSABLE DES DOMMAGES ACCESSOIRES ET CONSÉCUTIFS, MÊME SI CES DERNIERS SONT DIRECTEMENT LIÉS À UNE NÉGLIGENCE DE CATERPILLAR.

Cette garantie est soumise aux lois ou aux autres exigences de conformité juridique en vigueur aux États-Unis ou dans toute autre juridiction applicable et son application ne doit pas être en violation de ces dernières, auquel cas Caterpillar renonce à tout recours ou à toute responsabilité. Certains États interdisent l'exclusion ou la limitation des dommages accidentels ou consécutifs; ainsi, les limitations citées ci-dessus peuvent ne pas vous concerner. Cette garantie vous offre des droits juridiques spécifiques. Vous pouvez également disposer de droits fédéraux ou territoriaux en vigueur.

Aux États-Unis et au Canada : Caterpillar Newberry LLC, Electric Power Division, 40 Mawsons Way, 29108 6400 Caroline du Sud, Attention : Responsable du service à la clientèle, Téléphone : +1 844 797 6387. Hors États-Unis et Canada : Communiquez avec votre représentant de service agréé sur le site [www.cat.com/alimentation-exterieure-et-domestique-support](http://www.cat.com/alimentation-exterieure-et-domestique-support) ou par courriel à l'adresse [homeandoutdoorpower@cat.com](mailto:homeandoutdoorpower@cat.com).

dans le cadre de la loi en vigueur dans votre juridiction et que le conflit entre dans la compétence de la Cour des petites créances de votre province, vous pouvez choisir de porter votre revendication devant ladite cour. Si le conflit outrepassa la compétence de la Cour des petites créances de votre province, vous acceptez de vous soumettre à la compétence des tribunaux de votre province pour la résolution en justice de toute revendication, de tout conflit, de toute action ou cause d'action, de tout problème ou de toute demande de mesure de redressement qui découle de la présente Garantie limitée ou y est lié, et lesdits tribunaux ont juridiction exclusive pour toute revendication, tout conflit, toute action ou cause d'action, tout problème ou toute demande de mesure de redressement.

©2019 Caterpillar Tous droits réservés. CAT, CATERPILLAR, leurs logos respectifs, la couleur « jaune Caterpillar », la présentation commerciale « Power Edge » ainsi que toutes les identifications de l'entreprise et des produits utilisées dans le présent document sont des marques de commerce de Caterpillar qui ne peuvent pas être utilisées sans son autorisation. [www.cat.com/alimentation-exterieure-et-domestique](http://www.cat.com/alimentation-exterieure-et-domestique)



©2019 Caterpillar  
Tous droits réservés

CAT, CATERPILLAR, ses logos respectifs, la couleur « jaune Caterpillar » et la présentation commerciale POWER EDGE ainsi que toutes les identifications de l'entreprise et des produits utilisées dans le présent document sont des marques de commerce de Caterpillar qui ne peuvent pas être utilisées sans son autorisation.