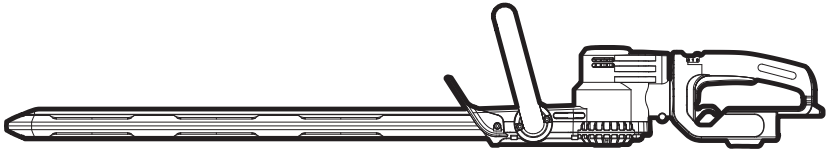


The logo features the word "CAT" in a bold, white, sans-serif font. The letter "A" is stylized with a white triangle pointing upwards, forming the letter's shape. A registered trademark symbol (®) is located to the upper right of the "T". The entire logo is set against a solid black square background.

60V

DG620 DG620.9



CORDLESS HEDGE TRIMMER

EN

P03

TAILLE HAIE SANS FIL

FR

P16

CORTASETOS SIN CABLE


ES

P26

TABLE OF CONTENTS


IMPORTANT SAFETY INSTRUCTIONS.....	4
SYMBOLS.....	7
SPECIFICATIONS.....	8
COMPONENT LIST.....	10
ASSEMBLY.....	14
OPERATION.....	14
MAINTENANCE.....	15

PRODUCT SAFETY


 **WARNING:** Some dust created by power sanding, sawing, grinding, drilling and other construction activities contains chemicals known to the State of California to cause cancer, birth defects or other reproductive harm. Some examples of these chemicals are:

- Lead from lead-based paints;
- Crystalline silica from bricks and cement and other masonry products;
- Arsenic and chromium from chemically-treated lumber.

Your risk from these exposures varies, depending on how often you do this type of work. To reduce your exposure to these chemicals: work in a well ventilated area, and work with approved safety equipment, such as those dust masks that are specially designed to filter out microscopic particles.

 **WARNING:** This product can expose you to chemicals including lead and Di(2-ethylhexyl) phthalate (DEHP) which are known to the State of California to cause cancer and birth defects or other reproductive harm. For more information go to www.P65Warnings.ca.gov.

GENERAL POWER TOOL SAFETY WARNINGS

 **WARNING** Read all safety warnings, instructions, illustrations and specifications provided with this power tool. Failure to follow all instructions listed below may result in electric shock, fire and/or serious injury.

Save all warnings and instructions for future reference.

The term "power tool" in the warnings refers to your mains-operated (corded) power tool or battery-operated (cordless) power tool.

1. WORK AREA SAFETY

- Keep work area clean and well lit.** Cluttered or dark areas invite accidents.
- Do not operate power tools in explosive atmospheres, such as in the presence of flammable liquids, gases or dust.** Power tools create sparks which may ignite the dust or fumes.
- Keep children and bystanders away while operating a power tool.** Distractions can cause you to lose control.

2. ELECTRICAL SAFETY

- Power tool plugs must match the outlet. Never modify the plug in any way. Do not use any adapter plugs with earthed (grounded) power tools.** *Unmodified plugs and matching outlets will reduce risk of electric shock.*
- Avoid body contact with earthed or grounded surfaces, such as pipes, radiators, ranges and refrigerators.** *There is an increased risk of electric shock if your body is earthed or grounded.*
- Do not expose power tools to rain or wet conditions.** *Water entering a power tool will increase the risk of electric shock.*
- Do not abuse the cord. Never use the cord for carrying, pulling or unplugging the power tool. Keep cord away from heat, oil, sharp edges or moving parts.** *Damaged or entangled cords increase the risk of electric shock.*
- When operating a power tool outdoors, use an extension cord suitable for outdoor use.** *Use of a cord suitable for outdoor use reduces the risk of electric shock.*
- If operating a power tool in a damp location is unavoidable, use a residual current device (RCD) protected supply.** *Use of an RCD reduces the risk of electric shock.*

3. PERSONAL SAFETY

- Stay alert, watch what you are doing and use common sense when operating a power tool. Do not use a power tool while you are tired or under the influence of drugs, alcohol or medication.** *A moment of inattention while operating power tools may result in serious personal injury.*
- Use personal protective equipment. Always wear eye protection.** *Protective equipment such as dust mask, non-skid safety shoes, hard hat, or hearing protection used for appropriate conditions will reduce personal injuries.*
- Prevent unintentional starting. Ensure the switch is in the off-position before connecting to power source and/or battery pack, picking up or carrying the tool.** *Carrying power tools with your finger on the switch or energising power tools that have the switch on invites accidents.*
- Remove any adjusting key or wrench before turning the power tool on.** *A wrench or a key left attached to a rotating part of the power tool may result in personal injury.*
- Do not overreach. Keep proper footing and balance at all times.** *This enables better control of the power tool in unexpected situations.*
- Dress properly. Do not wear loose clothing or jewellery. Keep your hair, clothing and gloves**

away from moving parts. Loose clothes, jewellery or long hair can be caught in moving parts.

- g) **If devices are provided for the connection of dust extraction and collection facilities, ensure these are connected and properly used.** Use of dust collection can reduce dust-related hazards.
- h) **Do not let familiarity gained from frequent use of tools allow you to become complacent and ignore tool safety principles.** A careless action can cause severe injury within a fraction of a second.

4. POWER TOOL USE AND CARE

- a) **Do not force the power tool. Use the correct power tool for your application.** The correct power tool will do the job better and safer at the rate for which it was designed.
 - b) **Do not use the power tool if the switch does not turn it on and off.** Any power tool that cannot be controlled with the switch is dangerous and must be repaired.
 - c) **Disconnect the plug from the power source and/or the battery pack from the power tool before making any adjustments, changing accessories, or storing power tools.** Such preventive safety measures reduce the risk of starting the power tool accidentally.
 - d) **Store idle power tools out of the reach of children and do not allow persons unfamiliar with the power tool or these instructions to operate the power tool.** Power tools are dangerous in the hands of untrained users.
 - e) **Maintain power tools. Check for misalignment or binding of moving parts, breakage of parts and any other condition that may affect the power tool's operation. If damaged, have the power tool repaired before use.** Many accidents are caused by poorly maintained power tools.
 - f) **Keep cutting tools sharp and clean.** Properly maintained cutting tools with sharp cutting edges are less likely to bind and are easier to control.
 - g) **Use the power tool, accessories and tool bits etc. in accordance with these instructions, taking into account the working conditions and the work to be performed.** Use of the power tool for operations different from those intended could result in a hazardous situation.
 - h) **Keep handles and grasping surfaces dry, clean and free from oil and grease.** Slippery handles and grasping surfaces do not allow for safe handling and control of the tool in unexpected situations.
- #### 5. BATTERY TOOL USE AND CARE
- a) **Recharge only with the charger specified by the manufacturer.** A charger that is suitable for one

type of battery pack may create a risk of fire when used with another battery pack.

- b) **Use power tools only with specifically designated battery packs.** Use of any other battery packs may create a risk of injury and fire.
- c) **When battery pack is not in use, keep it away from other metal objects, like paper clips, coins, keys, nails, screws or other small metal objects, that can make a connection from one terminal to another.** Shorting the battery terminals together may cause burns or a fire.
- d) **Under abusive conditions, liquid may be ejected from the battery; avoid contact. If contact accidentally occurs, flush with water. If liquid contacts eyes, additionally seek medical help.** Liquid ejected from the battery may cause irritation or burns.
- e) **Do not use a battery pack or tool that is damaged or modified.** Damaged or modified batteries may exhibit unpredictable behaviour resulting in fire, explosion or risk of injury.
- f) **Do not expose a battery pack or tool to fire or excessive temperature.** Exposure to fire or temperature above 265 °F (130 °C) may cause explosion.
- g) **Follow all charging instructions and do not charge the battery pack or tool outside the temperature range specified in the instructions.** Charging improperly or at temperatures outside the specified range may damage the battery and increase the risk of fire.

6. SERVICE

- a) **Have your power tool serviced by a qualified repair person using only identical replacement parts.** This will ensure that the safety of the power tool is maintained.
- b) **Never service damaged battery packs.** Service of battery packs should only be performed by the manufacturer or authorized service providers.

HEDGE TRIMMER SAFETY WARNINGS:

- a) **Keep all parts of the body away from the blade. Do not remove cut material or hold material to be cut when blades are moving.** Blades continue to move after the switch is turned off. A moment of inattention while operating the hedge trimmer may result in serious personal injury.
- b) **Carry the hedge trimmer by the handle with the blade stopped and taking care not to operate any power switch.** Proper carrying of the hedge

trimmer will decrease the risk of inadvertent starting and resultant personal injury from the blades.

- c) **When transporting or storing the hedge trimmer, always fit the blade cover.** Proper handling of the hedge trimmer will decrease the risk of personal injury from the blades.
- d) **When clearing jammed material or servicing the unit, make sure all power switches are off and the battery pack is removed or disconnected.** Wear leather or cut-proof gloves. Unexpected actuation of the hedge trimmer while clearing jammed material or servicing may result in serious personal injury.
- e) **Hold the hedge trimmer by insulated gripping surfaces only, because the blade may contact hidden wiring.** Blades contacting a "live" wire may make exposed metal parts of the hedge trimmer "live" and could give the operator an electric shock.
- f) **Keep all power cords and cables away from cutting area.** Power cords or cables may be hidden in hedges or bushes and can be accidentally cut by the blade.
- g) **Do not use the hedge trimmer in bad weather conditions, especially when there is a risk of lightning.** This decreases the risk of being struck by lightning.
- h) **Check the hedges and bushes for foreign objects, e.g. wire fences and hidden wiring.**
- i) **Hold the hedge trimmer properly, e.g. with both hands if two handles are provided.**
- j) **The hedge trimmer is intended to be used by the operator at ground level and not on ladders or any other unstable support.**
- k) **Before operating the hedge trimmer, the user should make sure the locking device(s) of any moving elements (e.g. the extended shaft and pivoting element), if any, are in the locked position.**
- l) **Have any adjustable stopping mechanism maintained at regular intervals.**

battery pack is not in use, keep it away from other metal objects, like paper clips, coins, keys, nails, screws or other small metal objects, that can make a connection from one terminal to another. Shorting the battery terminals together may cause burns or fire.

- d) **Do not subject battery pack to mechanical shock.**
- e) **In the event of battery leaking, do not allow the liquid to come in contact with the skin or eyes. If contact has been made, wash the affected area with copious amounts of water and seek medical advice.**
- f) **Do not use any battery pack which is not designed for use with the equipment.**
- g) **Keep battery pack out of the reach of children.**
- h) **Always purchase the battery pack recommended by the device manufacturer for the equipment.**
- i) **Keep battery pack clean and dry.**
- j) **Wipe the battery pack terminals with a clean dry cloth if they become dirty.**
- k) **Battery pack needs to be charged before use. Always use the correct charger and refer to the manufacturer's instructions or equipment manual for proper charging instructions.**
- l) **Do not leave battery pack on prolonged charge when not in use.**
- m) **After extended periods of storage, it may be necessary to charge and discharge the battery pack several times to obtain maximum performance.**
- n) **Recharge only with the charger specified by Cat®. Do not use any charger other than that specifically provided for use with the equipment.**
- o) **Retain the original product literature for future reference.**
- p) **Use only the battery pack in the application for which it was intended.**
- q) **Remove the battery pack from the equipment when not in use.**
- r) **Dispose of properly.**
- s) **Do not mix cells of different manufacture, capacity, size or type within a device.**
- t) **Keep the battery away from microwaves and high pressure.**

SAFETY WARNINGS FOR BATTERY PACK

- a) **Do not dismantle, open or shred battery pack.**
- b) **Do not expose battery pack to heat or fire. Avoid storage in direct sunlight.**
- c) **Do not short-circuit a battery pack. Do not store battery packs haphazardly in a box or drawer where they may short-circuit each other or be short-circuited by other metal objects. When**

SAVE THESE INSTRUCTIONS

SYMBOLS



To reduce the risk of injury, user must read instruction manual



Wear eye and ear protection



Wear eye protection



Wear dust mask



Wear protective gloves



Keep hands away from blade



Do not expose to rain



Li-Ion battery, battery must be recycled



Do not burn



Batteries may enter water cycle if disposed improperly, which can be hazardous for ecosystem. Do not dispose of waste batteries as unsorted municipal waste.



Make sure the battery is removed prior to changing accessories.



call2recycle®

POSITEC Inc. has established a partnership with the RBRC Corporation to recycle any Positec batteries with the RBRC-call2recycle seal. For environmental protection, please do not discard batteries in the trash. After the batteries' life cycle is ended, then please call 1-800-822-8837 for a free service that will properly dispose of the battery.

EN

TECHNICAL DATA

Type DG620 DG620.9 (2-designation of machinery, representative of Cordless Hedge Trimmer)

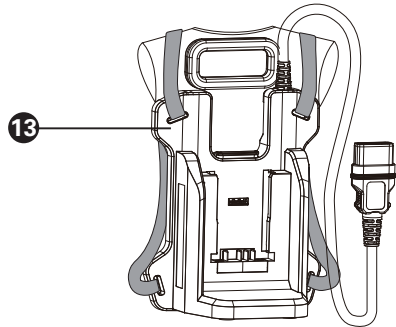
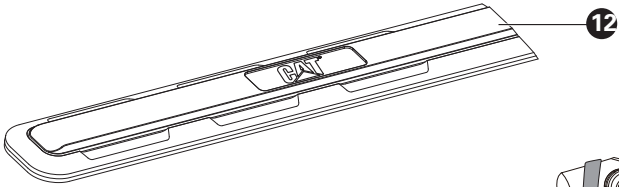
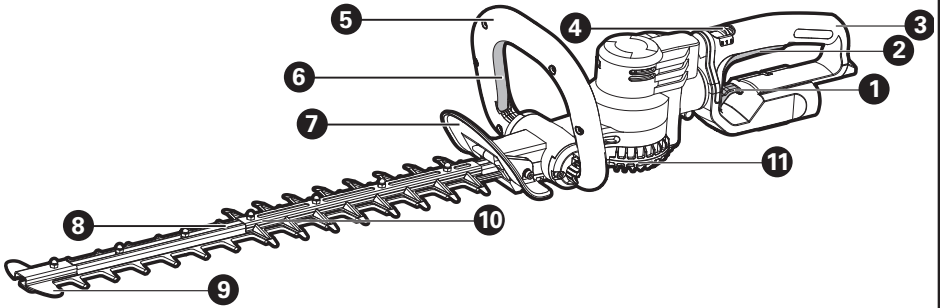
	DG620	DG620.9
Voltage	60 V \equiv	
No load speed	3200 /min	
Blade length	25" (65cm)	
Blade gap	1.3" (34mm)	
Max. cutting diameter	1.3"(34mm)	
Max. cutting length	22" (57cm)	
Handle rotation angle	180 degrees total	
Machine weight	7.9 lbs (3.6 kg)	
Backpack & Battery weight	3.3 lbs (1.5 kg)	

ACCESSORIES

EN

	DG620	DG620.9
Safety guard	1	1
Blade sheath	1	1
Backpack harness (DA82050)	1	1
Battery pack (DG6B25)	1	/
Charger (DG6C3)	1	/

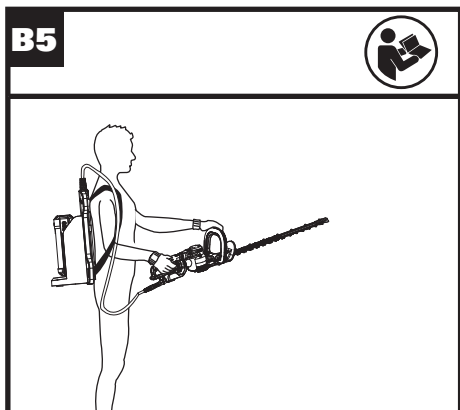
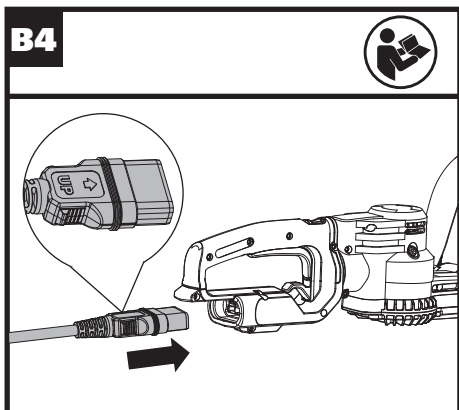
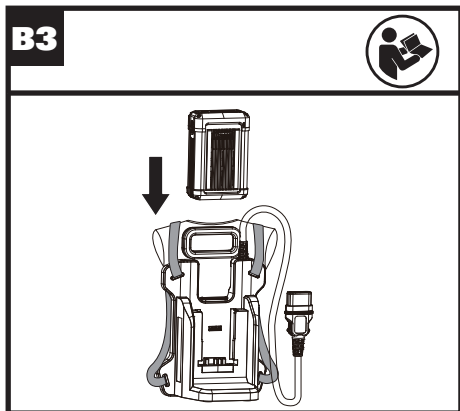
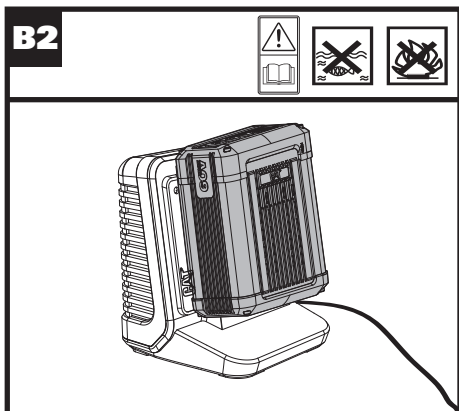
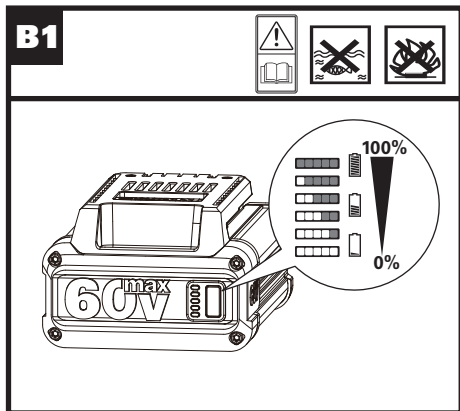
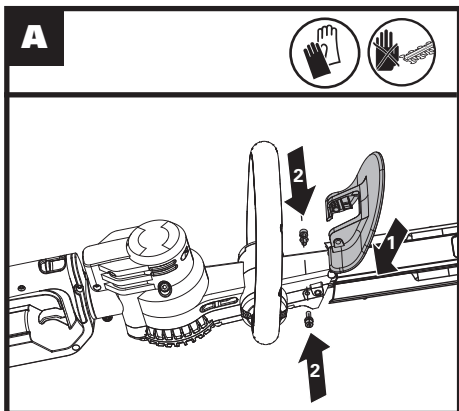
We recommend that you purchase your accessories from the same location that sold you the tool. Refer to the accessory packaging for further details. Personnel can assist you and offer advice.

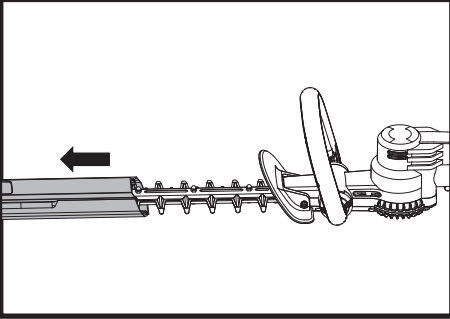
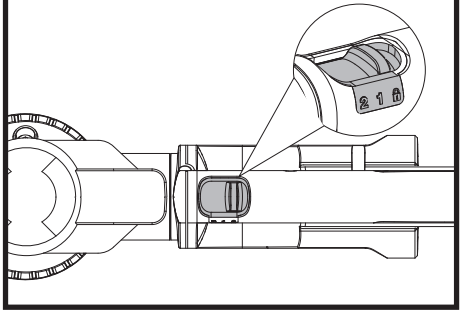
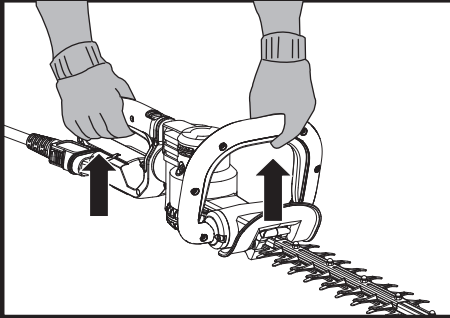
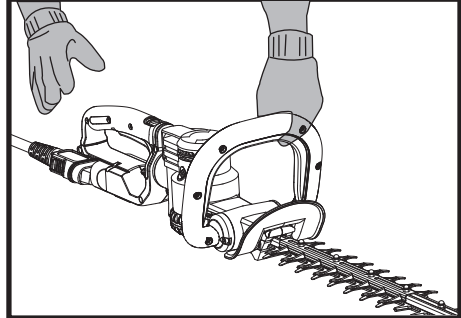
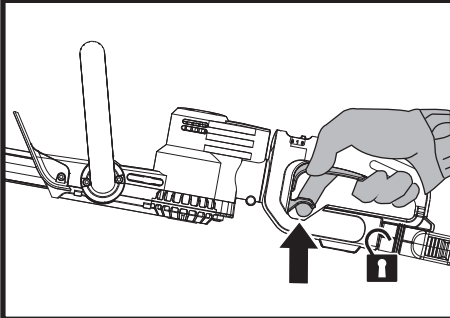
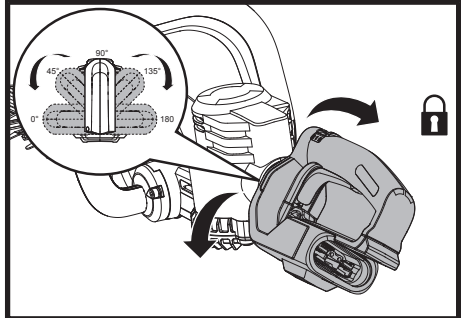


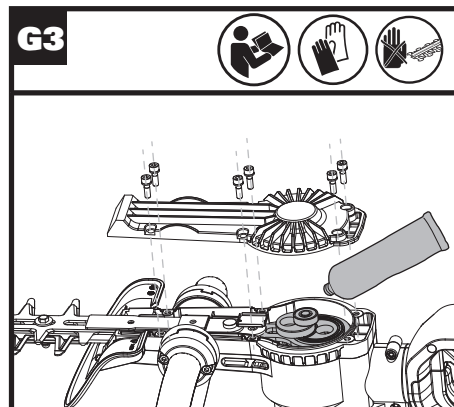
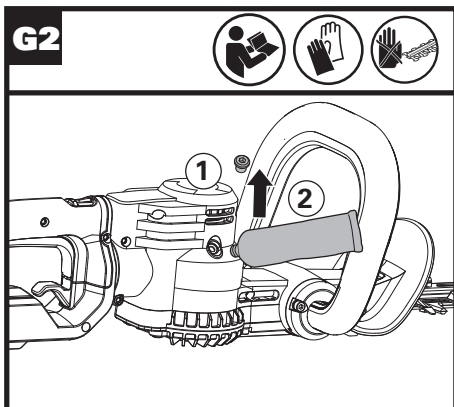
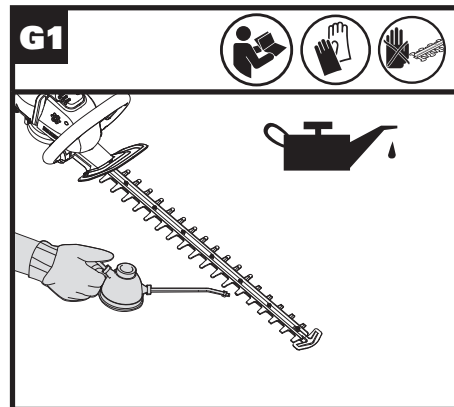
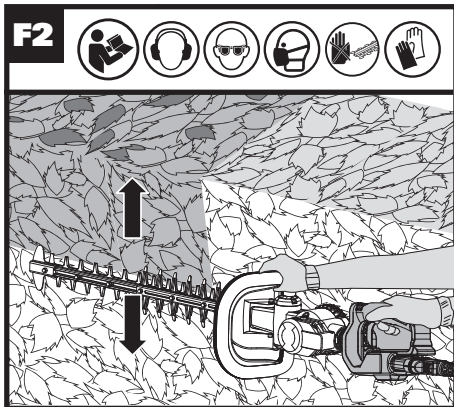
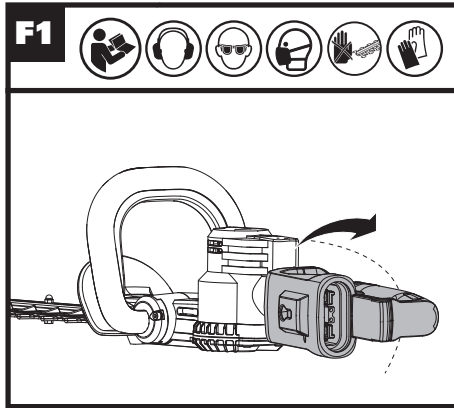
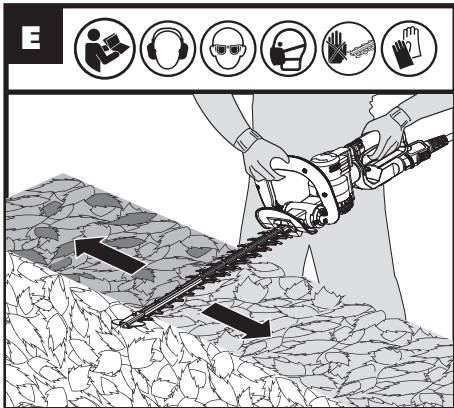
COMPONENT LIST

1. LOCKING SWITCH FOR ROTATING
2. THROTTLE TRIGGER
3. ROTATING REAR HANDLE
4. TWO-GEAR SPEED CONTROL BUTTON
5. FRONT HANDLE
6. OPERATOR PRESENCE SWITCH
7. SAFETY GUARD
8. BLADE
9. TIP PROTECTOR
10. BLADE GUARD
11. METAL GEAR BOX
12. BLADE SHEATH
13. BACKPACK HARNESS

*** Not all the accessories illustrated or described are included in standard delivery.**



C1**C2****C3****C4****D1****D2**



OPERATING INSTRUCTIONS



NOTE: Before using the tool, read the instruction book carefully.

ASSEMBLY:

ASSEMBLING THE SAFETY GUARD (SEE FIG. A)

Secure the safety guard onto the hedge trimmer with the screw.

CHECKING THE BATTERY CHARGE CONDITION (SEE FIG. B1)

NOTE: Fig. B1 only applies for the battery pack with battery indicator light.

The battery level can be determined by pressing the power indicator button beside the battery lights. Press the button before and after each use to check the battery

Remarks	LED-light	Battery condition
Five green lights are illuminated.		$70\% \leq \text{Power level} \leq 100\%$
Four green lights are illuminated.		$50\% \leq \text{Power level} < 69\%$
Three green lights are illuminated.		$35\% \leq \text{Power level} < 49\%$
Two green lights are illuminated.		$20\% \leq \text{Power level} < 34\%$
One green light are illuminated.		$10\% \leq \text{Power level} < 19\%$
No light is illuminated.		Power level < 10%

CHARGING THE BATTERY PACK(SEE FIG. B2)

- Your battery pack is partly charged and needs to be fully charged before first use.
- More details can be found in charger's manual.

CONNECTING THE HEDGE TRIMMER TO THE BACKPACK HARNESS (SEE FIG. B3, B4, B5)

Install the battery pack into the backpack harness, then insert the plug into the machine. Put on the backpack harness.

More details can be found in backpack harness's manual.

OPERATION:

STARTING AND STOPPING

Before usage, remove the blade sheath first. (See Fig. C1)

There are two speed positions that you can choose according to your needs. (See Fig. C2)

Push the two-gear speed control to 1 or 2 position. Then, press the throttle trigger and operator presence switch simultaneously to start. (See Fig. C3)

Release the throttle trigger or operator presence switch to stop. (See Fig. C4)

When the machine is not in use, turn the hedge trimmer off and disconnect it from the backpack harness.

ROTATING REAR HANDLE (SEE FIG. D1, D2)

NOTE: Unlock the locking switch before rotating.

After rotating the handle to the desired position, adjust it a little until a click can be heard.



WARNING: Always make sure that the handle is locked in the desired position before operation.

Always make sure the locking switch is locked before starting the hedge trimmer.

Do not rotate the handle when the trimmer is being operated.

HOW TO USE YOUR HEDGE TRIMMER

Before cutting an area, inspect it first and remove any foreign objects that could become thrown or entangled in the blades. Always hold the trimmer with both hands and with the blade away from you before turning it on.

When trimming new growth, use a wide sweeping action so that the stems are fed directly into the blade.

Allow the cutting blades to reach full speed before cutting. When operating, keep the cutting blades away from people and objects such as walls, large stones, trees, vehicles, etc.

If the blade stalls, immediately stop the trimmer. Release the two Switch Levers before attempting to clear jammed debris from the cutting blades.

Wear gloves when trimming thorny or prickly growth. Do not attempt to cut stems that are too thick for the cutting blade.

TOP CUTTING (SEE FIG. E)

Use a wide sweeping motion. A slight downward tilt of the cutting blades in the direction of motion gives the best cutting results.



WARNING: If any parts are missing, damaged or broken, do not operate your hedge trimmer until all damaged parts have been replaced or repaired. Failure to do so could result in serious personal injury. **DO NOT USE WITHOUT FRONT HANDLE AND SAFETY GUARD.**

SIDE CUTTING (SEE FIG. F1, F2)

When trimming the sides of the hedge, begin at the bottom and cut upwards, tapering the hedge inward at the top. This shape will expose more of the hedge, resulting in a more uniformed growth.



WARNING: Stop operating the trimmer before rotating the handle.

MAINTENANCE



Always remove the battery pack from your trimmer after use. Always check the product prior to being used for any damage.

After use, disconnect the battery from the tool and check for damage.

LUBRICATING

Lubricating the Cutting Blade (See Fig. G1)

NOTE: It is important to use only the recommended standard lubricating oil (WD-40) to avoid damage to the blade.

Lubricating the Gear Box (See Fig. G2, G3)

Remove the screw plug from the gear housing.

Lubricating the gear case through the oil-hole after every 150 hours operation.

Remove the screws from the gear box cover, and remove the cover. Lubricating after every 300 hours operation.

NOTE: For best operation and longer lifetime, lubricate the hedge trimmer gear case with the grease (V-100).

SHARPENING



Warning: Do not operate your machine with dull or damaged cutting blades, which will cause overload and unsatisfactory performance. When cutting performance begin to deteriorate, please sharpen the blade. When sharpening, wear protective gloves.

Only sharpen the cutting edge. Sharpen it by a professional. Do not grind blunt projecting parts of the cutting blade or its guard. Use a whetstone to remove burr from cutting edge. After sharpening, clean away the dust from the blade.

STORAGE

Clean the cutting blades after usage. Store the machine in a dry place, where is out of the reach of children and other unauthorized people.

FOR BATTERY TOOLS

The ambient temperature range for the use and storage of tool and battery is 32°F-113°F (0°C-45°C). The recommended ambient temperature range for the charging system during charging is 32°F -104°F (0°C-40°C).

TABLE DES MATIÈRES

INSTRUCTIONS DE SÉCURITÉ IMPORTANTES	17
SYMBOLES.....	20
SPÉCIFICATIONS.....	21
LISTE DES COMPOSANTS.....	23
ASSEMBLAGE	24
OPÉRATION.....	24
ENTRETIEN	25

SÉCURITÉ DU PRODUIT



AVERTISSEMENT! Certaines des poussières produites en utilisant des outils électriques sont considérées par l'État de Californie comme susceptibles de provoquer le cancer, des anomalies congénitales et d'autres problèmes de reproduction. Voici des exemples de ces produits chimiques:

- plomb issu de peinture à base de plomb
- silice cristalline issue de briques et du ciment et autres produits de maçonnerie
- arsenic et chrome issus de bois traité chimiquement

Votre risque de ces expositions varie en fonction de la fréquence à laquelle vous effectuez ce travail. Pour réduire votre exposition à ces produits chimiques : travaillez dans une zone bien ventilée; portez un équipement de sécurité approuvé, tel que des masques antipoussières spécialement conçus pour éliminer les particules microscopiques par filtrage.



AVERTISSEMENT : Ce dispositif peut vous exposer aux produits chimiques notamment le plomb et le di-phtalate (de 2-éthylhexyle) (DEHP) qui sont reconnus dans l'État de Californie comme causant des cancers et des anomalies congénitales ou d'autres anomalies de la reproduction. Pour en savoir plus, veuillez consulter le site www.P65Warnings.ca.gov.

AVERTISSEMENTS GENERAUX CONCERNANT LA SECURITE DES OUTILS ELECTRIQUES



AVERTISSEMENT! Lisez et assimilez toutes les instructions. Le non-respect des instructions ci-après peut entraîner un risque de choc électrique, d'incendie et/ou de blessures graves.

Conservez tous les avertissements et instructions pour pouvoir les consulter ultérieurement.

L'expression « outil électrique » dans tous les avertissements énumérés ci-dessous se réfère à votre outil électrique fonctionnant sur secteur (branché) ou à batterie (sans-fil).

1. AIRE DE TRAVAIL

- Veillez à ce que l'aire de travail soit propre et bien éclairée.** *Le désordre et le manque de lumière favorisent les accidents.*
- N'utilisez pas d'outils électriques dans un milieu présentant un risque d'explosion, par exemple en présence de liquides, de gaz ou de poussières**

inflammables. Les outils électriques créent des étincelles qui pourraient enflammer les poussières ou les vapeurs.

- Gardez à distance les curieux, les enfants et les visiteurs lorsque vous travaillez avec un outil électrique.** *Ils pourraient vous distraire et vous faire faire une fausse manœuvre.*

2. SÉCURITÉ ÉLECTRIQUE

- Les fiches des outils électriques doivent correspondre aux prises murales. Ne jamais modifier la fiche de quelque façon que ce soit. Ne pas utiliser de fiches d'adaptation avec des outils électriques mis à la terre (mis à la masse).** *Des fiches non modifiées et des prises qui leur correspondent réduiront le risque de choc électrique.*
 - Évitez tout contact corporel avec des surfaces mises à la terre (tuyauterie, radiateurs, cuisinières, réfrigérateurs, etc.).** *Le risque de choc électrique est plus grand si votre corps est en contact avec la terre.*
 - N'exposez pas les outils électriques à la pluie ou à l'eau.** *La présence d'eau dans un outil électrique augmente le risque de choc électrique.*
 - Ne maltraitez pas le cordon. Ne transportez jamais l'outil par son cordon et ne débranchez jamais la fiche en tirant sur le cordon. N'exposez pas le cordon à la chaleur, à des huiles, à des arrêtes vives ou à des pièces en mouvement.** *Un cordon endommagé augmente le risque de choc électrique.*
 - Lorsque vous utilisez un outil électrique à l'extérieur, utilisez un prolongateur adapté à une utilisation en extérieur.** *L'utilisation d'un cordon adapté à une utilisation extérieure réduit le risque de choc électrique.*
 - Si vous devez utiliser un outil électrique dans un endroit humide, utilisez un dispositif de courant résiduel (RCD) d'alimentation protégée.** *L'utilisation d'un RCD réduit le risque de choc électrique.*
- ### 3. SÉCURITÉ DES PERSONNES
- Restez alerte, concentrez-vous sur votre travail et faites preuve de bon sens. N'utilisez pas un outil électrique si vous êtes fatigué ou sous l'influence de drogues, d'alcool ou de médicaments.** *Un instant d'inattention lors de l'utilisation d'outils électriques peut entraîner des blessures graves.*
 - Utilisez des accessoires de sécurité. Portez toujours une protection oculaire.** *De l'équipement de sécurité tel que le masque antipoussiériste, les chaussures de sécurité antidérapantes, des*

casques durs ou des protections antibruit utilisés dans des conditions appropriées réduiront les blessures corporelles.

- c) **Évitez les démarrages accidentels. Avant d'insérer la batterie dans l'outil, assurez-vous que son interrupteur est en position « OFF » (Arrêt) ou verrouillée.** Le fait de transporter un outil avec le doigt sur la détente/l'interrupteur ou d'insérer la batterie dans un outil dont la détente est en position « ON » (Marche) peut causer un accident.
- d) **Retirer les clés de réglage avant de mettre l'outil sous tension.** Une clé restée attachée à une partie mobile de l'outil pourrait entraîner des blessures corporelles.
- e) **Ne vous penchez pas trop en avant. Maintenez un bon appui et restez en équilibre en tout temps.** Une bonne stabilité vous permet de mieux réagir à une situation inattendue.
- f) **Habilitez-vous convenablement. Ne portez ni vêtements flottants ni bijoux. Gardez les cheveux, les vêtements et les gants éloignés des pièces en mouvement.** Les vêtements flottants, les bijoux ou les cheveux longs risquent d'être happés par des pièces en mouvement.
- g) **Si un sac de récupération de la poussière est fourni avec un connecteur pour aspirateur, assurez vous qu'il est correctement relié et utilisé de façon appropriée.** L'utilisation de ce système réduit les dangers physiques et physiologiques liés à la poussière.
- h) **Ne laissez pas les habitudes acquises par une utilisation fréquente d'outils relâcher notre vigilance et ignorer les principes de sécurité des outils.** Une utilisation négligente peut causer des blessures graves en une fraction de seconde.

4. UTILISATION ET ENTRETIEN DE L'OUTIL

- a) **Ne forcez pas l'outil. Utilisez l'outil approprié à la tâche. L'outil approprié fonctionne mieux et de façon plus sécuritaire.** Respectez aussi la vitesse de travail qui lui est propre.
- b) **N'utilisez pas un outil si l'interrupteur ne le met pas en marche ou ne peut l'arrêter.** Un outil qui ne peut être contrôlé par l'interrupteur est dangereux et doit être réparé.
- c) **Débranchez la batterie de l'outil ou mettez son interrupteur en position « OFF » (Arrêt) ou « LOCKED » (Verrouillé) avant d'effectuer un réglage, de changer d'accessoire ou de ranger l'outil.** De telles mesures de sécurité préventive réduisent le risque de démarrage accidentel de l'outil.
- d) **Rangez les outils hors de portée des enfants et d'autres personnes inexpérimentées.** Les outils

sont dangereux dans les mains d'utilisateurs novices.

- e) **Prenez soin de bien entretenir les outils. Soyez attentif à tout désalignement ou coincement des pièces en mouvement, à tout bris ou à toute autre condition préjudiciable au bon fonctionnement de l'outil.** Si vous constatez qu'un outil est endommagé, faites-le réparer avant de vous en servir. De nombreux accidents sont causés par des outils en mauvais état.
- f) **Les outils de coupe doivent être toujours bien affûtés et propres.** Des outils bien entretenus, dont les arêtes sont bien tranchantes, sont moins susceptibles de se coincer et plus faciles à contrôler.
- g) **Utilisez l'outil électrique, les accessoires et les forêts etc., en conformité avec ces instructions et de la manière conçue pour le type particulier d'outil électrique, prend en compte les conditions de travail et le travail qui doit être accompli.** L'emploi de l'outil électrique pour des opérations différentes de celles pour lesquelles il a été conçu pourrait entraîner une situation dangereuse.
- h) **Maintenez les poignées et les surfaces de prise sèches, propres et exemptes d'huile et de graisse.** Des poignées et surfaces de prise glissantes ne permettent pas une manipulation et un contrôle sécurisés de l'outil dans des situations inattendues.

5. UTILISATION DE LA BATTERIE ET ENTRETIEN

- a) **Un outil à batterie avec batteries incorporées ou une batterie séparée doit être rechargé uniquement avec le chargeur indiqué pour la batterie.** Un chargeur qui peut être adéquat pour un type de batterie peut créer un risque d'incendie lorsqu'il est utilisé avec une autre batterie.
- b) **Utiliser un outil à batterie uniquement avec la batterie désignée.** L'emploi de toute autre batterie peut créer un risque d'incendie.
- c) **Lorsque la batterie n'est pas utilisée, tenez-la à l'écart d'autres objets métalliques tels que trombones, pièces de monnaie, clés, clous, vis ou autres petits objets métalliques susceptibles d'établir une connexion d'une borne à une autre.** Le court-circuitage des bornes de batterie peut causer des étincelles, des brûlures, une explosion ou un incendie.
- d) **Dans le cadre de conditions d'abus, du fluide peut être éjecté de la batterie, évitez tout contact. Si un contact se produisait accidentellement, rincez abondamment avec de l'eau. Si le fluide touche les yeux, cherchez en plus de la mesure précédente de l'aide médicale. Le fluide éjecté de la batterie**

peut causer des irritations ou des brûlures.

- e) **N'utilisez pas une batterie ou un outil endommagé ou modifié.** Les batteries endommagées ou modifiées peuvent avoir un comportement imprévisible entraînant un incendie, une explosion ou un risque de blessure.
- f) **N'exposez pas une batterie ou un outil au feu ou à une température excessive.** Une exposition au feu ou à une température supérieure à 130 °C (265 °F) pourrait provoquer une explosion.
- g) **Respectez toutes les instructions de chargement et ne chargez pas la batterie ou l'outil en dehors de la plage de température spécifiée dans les instructions.** Un chargement incorrect ou à des températures en dehors de la plage spécifiée peut endommager la batterie et augmenter le risque d'incendie.

6. ENTRETIEN

- a) **Ayez votre outil électrique entretenu par un réparateur agréé n'utilisant que des pièces de rechange identiques.** Cela assurera que la sécurité de l'outil électrique est maintenue.
- b) **Ne jamais tenter de réparer des batteries endommagées.** L'entretien et la réparation des batteries doit uniquement être effectué par le fabricant ou par des centres de services agréés.

CONSIGNES DE SÉCURITÉ

- a) **Maintenez toutes les parties du corps éloignées de la lame. Ne tentez jamais d'enlever les branches coupées ou ne tenez jamais les branches à couper lorsque la lame est en mouvement.** La lame s'arrête lentement lorsque l'appareil est mis hors tension. Un moment d'inattention lorsque vous utilisez le taille-haie peut résulter en des blessures corporelles graves.
- b) **Portez le taille-haie par la poignée et l'appareil hors tension en faisant attention de ne pas actionner le commutateur de mise sous tension.** Une manipulation sécuritaire du taille-haie préviendra les blessures corporelles possibles causées par la lame.
- c) **Avant le transport ou le stockage du taille-haie, installez toujours le capot de protection de la lame.** Pour éviter les risques de blessures causées par les lames, portez le taille-haie de la manière indiquée.
- d) **Pour retirer les matériaux coincés ou pour l'entretien de l'appareil, assurez-vous que tous les interrupteurs d'alimentation sont désactivés et que la batterie est retirée ou déconnectée.** Portez

des gants en cuir ou anti-coupure. Le démarrage inattendu du taille-haie pendant le retrait du matériau coincé ou l'entretien peut entraîner des blessures graves.

- e) **Ne tenez l'appareil électrique que par les surfaces isolées de tenue puisque la lame pourrait entrer en contact avec du câblage caché ou son propre cordon d'alimentation.** La lame entrant en contact avec un fil sous tension peut mettre les parties métalliques de l'appareil sous tension, ce qui pourrait causer un choc électrique à l'opérateur.
- f) **Éloignez tous les cordons d'alimentation et câbles de la zone de coupe.** Des cordons d'alimentation ou des câbles peuvent être cachés dans des haies ou des buissons et peuvent être coupés accidentellement par la lame.
- g) **Ne pas utiliser le taille-haie dans de mauvaises conditions météorologiques, en particulier lorsqu'il y a un risque de foudre.** Cela diminue le risque d'être frappé par la foudre.
- h) **Vérifiez la haie pour la présence d'objets étrangers, p. ex. une clôture métallique.**
- i) **Tenez le taille-haie correctement, par exemple avec les deux mains si deux poignées sont fournies.**
- j) **Le taille-haie est destiné à être utilisé au niveau du sol et non sur des échelles ou tout autre support instable.**
- k) **Avant d'utiliser le taille-haie, l'utilisateur doit s'assurer que le ou les dispositifs de verrouillage de tout élément mobile (par exemple l'arbre d'extension et l'élément pivotant), le cas échéant, sont en position verrouillée.**
- l) **Prévoyez d'installer un mécanisme d'arrêt réglable à intervalles réguliers.**

CONSIGNES GÉNÉRALES DE SÉCURITÉ CONCERNANT LA BATTERIE

- a) **Ne pas démonter, ouvrir ou déchiqueter le bloc batterie.**
- b) **Ne pas exposer le bloc batterie à la chaleur ou au feu.** Évitez de ranger la batterie dans un endroit exposé à la lumière directe du soleil.
- c) **Ne pas court-circuiter une batterie. Ne stockez pas les blocs batterie en vrac dans une boîte ou un tiroir où ils peuvent se court-circuiter ou être court-circuités par d'autres objets métalliques.** Lorsque le bloc batterie n'est pas utilisé, conservez-le loin d'autres objets métalliques, tels que des trombones, des pièces de monnaie,

des clés, des clous, des vis ou d'autres objets métalliques de petite taille, qui pourraient établir une connexion d'un terminal à l'autre. Le fait de créer un court-circuit entre les bornes de la batterie peut causer des brûlures ou des incendies.

- d) **Ne pas soumettre la batterie à des chocs mécaniques.**
- e) **En cas de fuite de la batterie, ne pas laisser le liquide entrer en contact avec la peau ou les yeux. Si un contact a été effectué, laver la zone touchée avec beaucoup d'eau et consulter un médecin.**
- f) **Ne pas utiliser de batterie qui n'a pas été conçue pour être utilisée avec cet appareil.**
- g) **Maintenez la batterie hors de portée des enfants.**
- h) **Achetez toujours une batterie recommandée par le fabricant de l'appareil.**
- i) **Conservez le bloc batterie propre et sec.**
- j) **Essuyez les bornes de la batterie avec un chiffon propre et sec si elles deviennent sales.**
- k) **La batterie doit être chargée avant son utilisation. Utilisez toujours le chargeur adapté et reportez-vous aux instructions du fabricant ou au manuel de l'équipement pour suivre les instructions concernant la procédure de charge.**
- l) **Ne laissez pas le bloc batterie en charge prolongée lorsqu'il n'est pas utilisé.**
- m) **Après de longues périodes de stockage, il peut être nécessaire de charger et de décharger la batterie plusieurs fois pour obtenir des performances optimales.**
- n) **Rechargez le bloc batterie uniquement avec le chargeur spécifié par Cat®. N'utilisez pas un chargeur autre que celui spécifiquement conçu pour être utilisé avec l'équipement.**
- o) **Conservez la documentation originale du produit pour référence ultérieure.**
- p) **Utilisez uniquement la batterie dans l'application pour laquelle elle a été prévue.**
- q) **Retirez la batterie de l'équipement lorsqu'il n'est pas utilisé.**
- r) **Éliminez la batterie de façon adéquate.**
- s) **Ne pas mélanger des cellules de fabricants, de capacités, de tailles ou de type différents dans un appareil.**
- t) **N'exposez pas la batterie à des micro-ondes et de la haute pression.**

CONSERVEZ CES INSTRUCTIONS

SYMBOLES



Afin de réduire les risques de blessure, l'utilisateur doit lire ce mode d'emploi



Portez une protection auditive



Portez un protecteur oculaire



Portez un masque antipoussières



Toujours porter des gants de protection



Keep hands away from blade



Évitez de laisser l'équipement sous la pluie



Batterie Li-Ion. Les batteries doivent être recyclées en collecte sélective.



Ne pas jeter au feu



Les batteries peuvent s'introduire dans le cycle de l'eau si elles sont éliminées de manière inappropriée, ce qui peut être dangereux pour l'écosystème. Ne pas éliminer les batteries usagées avec les déchets municipaux non triés.



Retirez la prise de la prise murale avant d'effectuer n'importe quel travail de réglage, de réparation ou d'entretien.



call2recycle®

POSITEC Inc. a formé un partenariat avec RBRC Corporation pour le recyclage des batteries Positec portant le sceau RBRC-call2recycle. Pour la protection de l'environnement, veillez à ne pas jeter les batteries aux poubelles. À la fin du cycle de vie de la batterie, appelez 1-800-822-8837 pour un service gratuit qui mettra la batterie au rebut selon les règles de l'art.

DONNÉES TECHNIQUES

Type DG620 DG620.9 (2-Désignation des machines, modèle de Taille haie sans fil)

	DG620	DG620.9
Tension	60 V \equiv	
Vitesse nominale à vide	3200 /min	
Longueur de la lame	(25") 65cm	
Écart de lame	(1.3") 34 mm	
Diamètre de coupe max.	(1.3") 34 mm	
Longueur de coupe max.	(22") 57 cm	
Angle de rotation de la poignée	180 degrés au total	
Poids de l'outil	3.6 kg (7.9 lbs)	
Poids de harnais porte-batterie & Poids de la batterie	1.5 kg (3.3 lbs)	

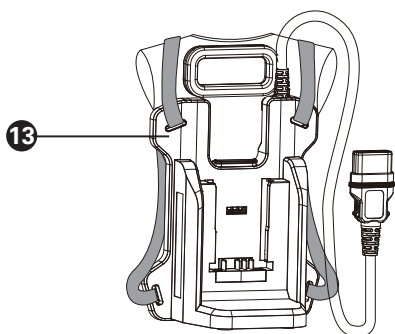
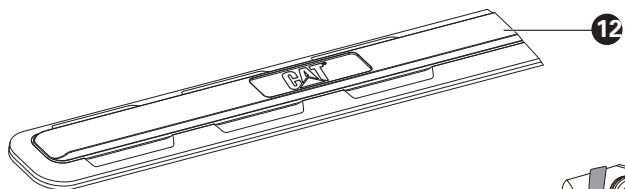
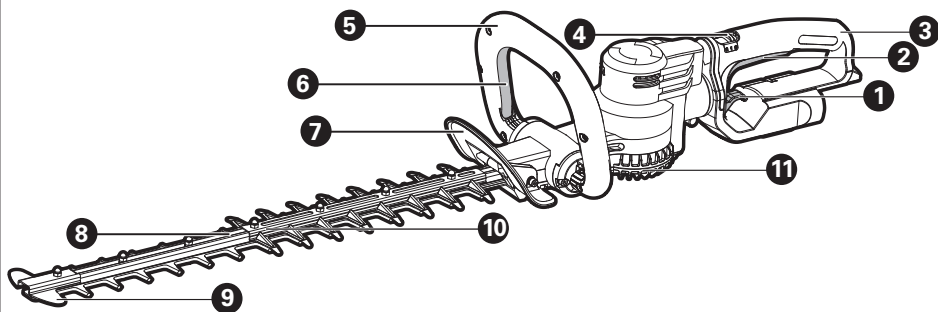
* Tension mesurée hors fonctionnement. La tension initiale de la batterie atteint le maximum de 60 volts. La tension nominale est de 54 V.

ACCESSOIRES

	DG620	DG620.9
Protection de sécurité	1	1
Gaine de lame	1	1
Harnais porte-batterie (DA82050)	1	1
BLOC-PILES (DG6B25)	1	/
CHARGEUR (DG6C3)	1	/

Nous vous recommandons d'acheter tous vos accessoires au même magasin où vous avez acheté l'outil. Pour de plus amples renseignements, consultez l'emballage de l'accessoire. Le personnel du magasin peut également vous conseiller.

FR



FR

LISTE DES ÉLÉMENTS

1. INTERRUPTEUR DE VERROUILLAGE POUR LA ROTATION
2. GÂCHETTE D'ACCÉLÉRATEUR
3. POIGNÉE ARRIÈRE ROTATIVE
4. BOUTON DE COMMANDE À DEUX VITESSES
5. POIGNÉE AVANT
6. COMMUTATEUR DE PRÉSENCE D'OPÉRATEUR
7. PROTECTION DE SÉCURITÉ
8. LAME
9. PROTECTION D'EMBOUT
10. PROTECTION DE LAME
11. BÔÎTE DE VITESSES MÉTALLIQUE
12. GAINÉ DE LAME
13. HARNAIS PORTE-BATTERIE

* Tous les accessoires illustrés ou décrits ne sont pas inclus dans une livraison standard.

INSTRUCTIONS D'UTILISATION



REMARQUE: Avant d'utiliser cet outil, assurez-vous de lire attentivement le manuel d'utilisation.

ASSEMBLAGE:

MONTAGE DE LA PROTECTION DE SÉCURITÉ (VOIR SCHÉMA. A)

Fixez la protection de sécurité sur le taille-haie avec la vis.

VÉRIFICATION DE L'ÉTAT DE CHARGE DE LA BATTERIE (VOIR FIG. B1)

REMARQUE: Fig. B1 s'applique uniquement au bloc de batteries avec voyant indicateur de batterie.

Le niveau de la batterie peut être vérifié en appuyant sur le bouton indicateur d'alimentation à côté des voyants de la batterie. Appuyez sur le bouton avant et après chaque utilisation pour vérifier la batterie

Remarques	Voyant LED	État de la batterie
Cinq voyants verts sont allumés.		70 % ≤ niveau de puissance ≤ 100 %
Quatre voyants verts sont allumés.		50 % ≤ Niveau de puissance < 69 %
Trois voyants verts sont allumés.		35 % ≤ Niveau de puissance < 49 %
Deux voyants verts sont allumés.		20 % ≤ Niveau de puissance < 34 %
Un voyant vert est allumé.		10 % ≤ Niveau de puissance < 19 %
Aucun voyant n'est allumé.		Niveau de puissance < 10 %

RECHARGE DU BLOC DE BATTERIE (VOIR FIG. B2)

- Votre bloc de batterie est partiellement chargé et doit être complètement chargé avant la première utilisation.
- Plus de détails sont disponibles dans le manuel du chargeur.

RACCORDEMENT DU TAILLE-HAIE AU HARNAIS PORTE-BATTERIE (VOIR SCHÉMA. B3, B4, B5)

Installez la batterie dans le harnais porte-batterie, puis insérez la prise dans la machine. Mettez le harnais porte-batterie.

Plus de détails sont disponibles dans le manuel du harnais porte-batterie.

FONCTIONNEMENT:

DÉMARRAGE ET ARRÊT

Retirez la gaine de la lame. (Voir Schéma. C1)

Il existe deux positions de vitesse que vous pouvez choisir en fonction de vos besoins. (Voir Schéma. C2)

Poussez la commande de vitesse à deux vitesses sur la position 1 ou 2. Ensuite, appuyez simultanément sur la gâchette d'accélérateur et le commutateur de présence d'opérateur pour démarrer. (Voir Schéma. C3)

Relâchez la gâchette d'accélérateur ou le commutateur de présence d'opérateur pour arrêter. (Voir Schéma. C4)

Lorsque la machine n'est pas utilisée, éteignez le taille-haie et déconnectez-la du harnais porte-batterie.

POIGNÉE ARRIÈRE PIVOTANTE (VOIR SCHÉMA. D1, D2)

REMARQUE: Déverrouillez l'interrupteur de verrouillage avant de tourner. Après avoir fait pivoter la poignée à la position souhaitée, ajustez-la un peu jusqu'à ce qu'un déclic puisse être entendu.



AVERTISSEMENT: Toujours s'assurer que la poignée est bloquée dans la position souhaitée avant l'utilisation. Ne pas tourner la poignée lorsque la tondeuse est en cours d'utilisation.

COMMENT UTILISER VOTRE TAILLE-HAIE

Avant d'effectuer une coupe sur une section de haie, inspectez la et retirez tout objet étranger qui pourrait se prendre dans la lame ou être projeté.


Pour la mise en marche du taille-haies, tenez le toujours des deux mains en gardant sa lame éloignée de vous.

Pour la taille de nouvelles pousses, faites de grand mouvements en va et vient pour que les tiges soient directement présentées à la lame.

Avant de débiter la coupe, laissez la lame atteindre sa pleine vitesse. Lorsque l'outil est en marche, gardez toujours sa lame éloignée de personnes et objets tels les murs, les grosses pierres, les arbres, les véhicules etc. Si la lame se bloque, arrêtez immédiatement l'outil. Avant d'entreprendre le dégagement de débris pris dans la lame, relâchez toujours les deux leviers d'actionnement. Pour le travail de coupe dans des bosquets épineux et piquants, portez des gants protecteurs. N'essayez pas de couper des branches trop grosses pour la lame.


COUPE SUR LE DESSUS (VOIR SCHÉMA. E)

Faites de grands mouvements de va et vient. Une légère inclinaison vers le bas du devant de la lame (en direction du mouvement) donne le meilleur résultat de coupe.

 **AVERTISSEMENT:** Si une pièce ou l'autre du taille-haies est manquante, brisée ou en mauvais état, n'utilisez pas votre taille-haies avant d'avoir fait les remplacements/réparations nécessaires sinon il y aura risque élevé de blessures graves.

COUPE LONGITUDINALE (VOIR SCHÉMA. F1, F2)

Pour les coupes longitudinales de haies, débutez à la base et coupez vers le haut en faisant un biseau de la haie à sa partie supérieure. Cette forme créera une plus grande surface d'exposition de la haie qui produira une croissance plus uniforme.

 **AVERTISSEMENT:** Assurez-vous d'arrêter le taille-haie avant de faire pivoter la poignée.

ENTRETIEN:

 Retirez le bloc-piles de l'outil avant d'effectuer tout ajustement, entretien ou maintenance. Vérifiez toujours le produit si le produit est endommagé avant de l'utiliser.

Après utilisation, débranchez la batterie de l'outil et vérifiez s'il y a des dommages.

LUBRIFICATION

Lubrification des lames de coupe (Voir Schéma. G1)


REMARQUE: Il est important d'utiliser uniquement la broche standard et l'huile à chaîne recommandées (WD-40) pour éviter d'endommager la taille-haies.

Lubrification de la boîte de vitesses (Voir Schéma.G2, G3)
Retirez le bouchon vissé de la boîte d'engrenage. Lubrifier la boîte d'engrenage à travers le trou d'huile toutes les 150 heures de fonctionnement.

Retirez les vis du couvercle de la boîte de vitesses et retirez le couvercle. Lubrification toutes les 300 heures de fonctionnement.

REMARQUE : Pour un meilleur fonctionnement et une durée de vie prolongée, lubrifiez la boîte de vitesses du taille-haie avec de la graisse (V-100).

AFFÛTAGE

 **Avertissement :** n'utilisez pas votre machine avec des lames de coupe émoussées ou endommagées, ce qui entraînera une surcharge et des performances insatisfaisantes. Lorsque les performances de coupe commencent à se détériorer, affûtez la lame. Pendant l'affûtage, portez des gants de protection. Affûtez seulement le tranchant. Faites affûter par un professionnel. N'affûtez pas parties saillantes émoussées de la lame de coupe ou sa protection. Utilisez une pierre à aiguiser pour enlever les bavures du tranchant. Après l'affûtage, nettoyez la poussière de la lame.

STOCKAGE

Nettoyez les lames de coupe après utilisation. Rangez l'appareil dans un endroit sec, et hors de portée des enfants et d'autres personnes non autorisées.

POUR LES OUTILS DE LA BATTERIE

La plage de température ambiante pour l'utilisation et le stockage de l'outil et de la batterie est 0°C à 45°C (32°F-113°F).


La plage de température ambiante recommandée pour le système de charge pendant la charge est de 0°C à 40°C (32°F-104°F).

TABLA DE CONTENIDO

INSTRUCCIONES IMPORTANTES DE SEGURIDAD.....	27
SÍMBOLOS.....	30
ESPECIFICACIONES.....	31
LISTA DE COMPONENTES.....	33
ENSAMBLE.....	34
FUNCIONAMIENTO.....	34
MANTENIMIENTO	35

ES


SEGURIDAD DEL PRODUCTO

 **ADVERTENCIA!** Este producto podría contener plomo, ftalato y otros químicos identificados por el Estado de California como causantes de cáncer, defectos congénitos y otras lesiones reproductivas.


Lave sus manos después de cada uso.

- El plomo de las pinturas a base de plomo.
- La sílice cristalina de los ladrillos, del cemento y de otros productos de albañilería.
- El arsénico y el cromo de la madera tratada químicamente.

El riesgo que se corre a causa del contacto con esos productos varía según la frecuencia con que usted realice este tipo de trabajos. Con el fin de reducir su exposición a esas sustancias químicas: trabaje en un área bien ventilada; utilice un equipo de seguridad adecuado, tal como una máscara contra el polvo especialmente diseñada para filtrar partículas microscópicas.

 **ADVERTENCIA:** Este producto puede exponerlo a sustancias químicas, como plomo y di (2-etilhexilo) ftalato (DEHP), que el estado de California reconoce como causantes de cáncer y defectos de nacimiento u otros daños reproductivos. Para más información visite www.P65Warnings.ca.gov.

ADVERTENCIAS DE SEGURIDAD GENERALES PARA LA HERRAMIENTA MOTORIZADA

 **ADVERTENCIA!** Lea y comprenda todas las instrucciones. El no seguir todas las instrucciones a continuación puede ocasionar descargas eléctricas, incendios y/o heridas graves.

Conserve todas las advertencias e instrucciones para consulta futura.

El término "herramienta eléctrica" que figura en todas las advertencias que aparecen a continuación hace referencia a la herramienta que funciona con la red de suministro eléctrico (con cable) o a la herramienta eléctrica accionada a baterías (sin cable).

1. ÁREA DE TRABAJO

- Mantenga su lugar de trabajo limpio y bien iluminado.** Bancos de trabajo desordenados y lugares oscuros invitan a los accidentes.
- No utilice herramientas eléctricas en atmósferas explosivas, como por ejemplo en presencia de líquidos, inflamables, gases o polvo.** Las herramientas eléctricas crean chispas que pueden encender el polvo o los vapores.

- Mantenga a los espectadores, niños y visitantes a una distancia prudente cuando esté utilizando una herramienta eléctrica.** Las distracciones pueden hacerle perder el control.

2. SEGURIDAD ELÉCTRICA

- Los enchufes de las herramientas eléctricas deben coincidir con el tomacorriente. No modifique de algún modo el enchufe. No utilice enchufes adaptadores con herramientas eléctricas conectadas a tierra.** Si no se modifican los enchufes y se utilizan los tomacorrientes adecuados, se reducirá el riesgo de una descarga eléctrica.
- Evite el contacto del cuerpo con las superficies conectadas a tierra tales como tuberías, radiadores, estufas de cocina y refrigeradores.** Existe mayor riesgo de que se produzcan descargas eléctricas si su cuerpo está conectado a tierra.
- No exponga las herramientas eléctricas a la lluvia ni a los ambientes húmedos.** La entrada de agua en una herramienta eléctrica aumenta el riesgo de que se produzcan descargas eléctricas.
- No abuse del cable. Nunca use el cable para transportar las herramientas ni para sacar el enchufe de un tomacorriente. Mantenga el cable alejado del calor, el aceite, los bordes afilados o las piezas móviles.** Los cables dañados aumentan el riesgo de que se produzcan descargas eléctricas.
- Cuando opere una herramienta eléctrica en exteriores, use un cable de extensión adecuado para uso en exteriores.** El uso de un cable adecuado para uso en exteriores reduce el riesgo de descargas eléctricas.
- Si operar una herramienta eléctrica en un lugar húmedo es inevitable, use un elemento protegido del dispositivo de corriente residual (RCD).** El uso de un RCD reduce el riesgo de descargas eléctricas.

3. SEGURIDAD PERSONAL

- Manténgase alerta, fíjese en lo que está haciendo y use el sentido común cuando utilice una herramienta eléctrica. No use la herramienta cuando esté cansado o se encuentre bajo la influencia de drogas, alcohol o medicamentos.** Un momento de distracción al utilizar herramientas eléctricas puede dar lugar a lesiones personales graves.
- Utilice equipo de seguridad. Use siempre protección ocular.** La utilización del equipo de seguridad como máscara antipolvo, zapatos de seguridad antideslizantes, casco o protección auditiva para condiciones adecuadas reducirá el riesgo de lesiones personales.
- Evite el arranque accidental. Asegúrese de que el interruptor esté en la posición de trabado o de**

apagado antes de instalar el paquete de baterías.

Transportar herramientas con el dedo en el interruptor o instalar el paquete de batería cuando el interruptor está encendido invitan a los accidentes.

- d) **Retire las llaves o claves de ajuste antes de encender la herramienta.** *Una llave o clave de ajuste dejada en una parte giratoria de la herramienta puede causar una lesión personal.*
- e) **No intente alcanzar demasiado lejos. Mantenga un apoyo de los pies y un equilibrio adecuados en todo momento.** *El apoyo de los pies y el equilibrio adecuados permiten un mejor control de la herramienta en situaciones inesperadas.*
- f) **Vístase apropiadamente. No se ponga ropa holgada ni joyas. Mantenga su cabello, ropa y guantes alejados de las piezas móviles.** *La ropa holgada, las joyas o el pelo largo pueden quedar atrapados en las piezas móviles.*
- g) **Si se proporcionan dispositivos para la extracción y recolección de polvo, asegúrese que estos estén conectados y utilizados correctamente.** *El uso de estos dispositivos puede reducir peligros relacionados con el polvo.*
- h) **No permita que la familiaridad obtenida a partir del uso frecuente de otras herramientas le permita volverse complaciente e ignorar los principios de seguridad de la herramienta.** *Una acción descuidada puede causar lesiones severas en una fracción de segundo.*

4. USO Y CUIDADO DE LA HERRAMIENTA

- a) **No fuerce la herramienta. Emplee la herramienta correcta para la aplicación que desea. La herramienta correcta hará el trabajo mejor y con más seguridad a la capacidad nominal para la que está diseñada.**
- b) **No utilice la herramienta si el interruptor no la enciende o apaga.** *Toda herramienta que no se pueda controlar con el interruptor es peligrosa y debe ser reparada.*
- c) **Desconecte la batería de la herramienta o ponga el interruptor en la posición de trabado o de apagado antes de hacer cualquier ajuste, cambio de accesorios o guardar la herramienta.** *Estas medidas de seguridad preventivas reducen el riesgo de encender la herramienta accidentalmente.*
- d) **Guarde las herramientas que no esté usando fuera del alcance de los niños y otras personas no capacitadas.** *Las herramientas son peligrosas en las manos de los usuarios no capacitados.*
- e) **Mantenga las herramientas con cuidado. Compruebe la desalineación o el atasco de las piezas móviles, la ruptura de piezas y cualquier otra situación que pueda afectar el funcionamiento de las herramientas.** *Si la herramienta está dañada, hágala arreglar antes*

de usarla. Muchos accidentes son causados por herramientas mantenidas deficientemente.

- f) **Conserve las herramientas de corte afiladas y limpias.** *Las herramientas mantenidas adecuadamente, con bordes de corte afilados, tienen menos probabilidades de atascarse y son más fáciles de controlar.*
- g) **Utilice la herramienta eléctrica, accesorios, brocas de la herramienta, etc. de acuerdo con estas instrucciones y de la manera adecuada para el tipo de herramienta eléctrica, teniendo en cuenta las condiciones de trabajo y el trabajo que se realizará.** *La utilización de la herramienta eléctrica para operaciones diferentes de aquellas para las que se encuentra diseñada podría dar lugar a una situación peligrosa.*
- h) **Mantenga las manijas y las superficies de sujeción secas, limpias y libres de aceite y grasa.** *Las manijas y superficies de sujeción resbaladizas no permiten el manejo y control seguros de la herramienta en situaciones inesperadas.*

5. UTILIZACIÓN Y CUIDADO DE LA HERRAMIENTA ACCIONADA A BATERÍAS

- a) **Una herramienta accionada a baterías que tenga baterías integradas o un paquete de baterías separado se debe recargar solamente con el cargador especificado para la batería.** *Un cargador que puede ser adecuado para un tipo de batería puede crear un peligro de incendio cuando se usa con otra batería.*
- b) **Utilice la herramienta accionada a baterías solamente con el paquete de baterías designado específicamente.** *El uso de cualquier otra batería puede crear un peligro de incendio.*
- c) **Cuando el paquete de baterías no se usa, manténgalo alejado de otros objetos metálicos como: sujetapapeles, monedas, clavos, tornillos u otros pequeños objetos de metal capaces de hacer una conexión entre los terminales.** *El cortocircuito de los terminales de una batería puede causar chispas, quemaduras o incendio.*
- d) **Bajo condiciones abusivas, la batería puede expulsar líquido; evite el contacto. Si ocurre un contacto accidental, enjuagar con agua. Si el líquido entra en contacto con los ojos, busque ayuda médica.** *El líquido expulsado por la batería puede causar irritación o quemaduras.*
- e) **No use un paquete de batería o una herramienta que esté dañada o modificada.** *Las baterías dañadas o modificadas pueden presentar un comportamiento imprevisto que resulte en incendios, explosión o riesgo de lesiones.*
- f) **No exponga un paquete de batería o herramienta a fuego o temperatura excesiva.** *La exposición a fuego*

o temperatura mayor a 265°F (130 °C) pueden causar una explosión.

- g) **Siga todas las instrucciones de carga y no cargue el paquete de batería o la herramienta fuera del rango de temperatura especificado en las instrucciones.** *Cargar inadecuadamente o en temperaturas fuera del rango especificado pueden dañar la batería e incrementar el riesgo de incendio.*

6. REPARACIÓN

- a) **La herramienta debe ser reparada por una persona calificada de servicio técnico y se deben utilizar partes de reemplazo idénticas.** *Esto asegurará el mantenimiento de la seguridad de la herramienta eléctrica.*
- b) **Nunca dé servicio a paquetes de batería dañados.** *El servicio de paquetes de batería sólo debe ser realizado por el fabricante o proveedores de servicio autorizados.*

INSTRUCCIONES DE SEGURIDAD

- a) **Mantenga todas las partes de su cuerpo alejados de la cuchilla de corte. No remueva material cortado o sostener material a cortar cuando la cuchilla esté en movimiento.** *Después de apagar la herramienta la cuchilla continúa girando libremente. Un momento de falta de atención mientras está operando con la tijera cortasetos puede provocar serias lesiones personales.*
- b) **Cargar la tijera cortasetos desde la manija teniendo la cuchilla de corte parada y tenga cuidado de no operar ningún interruptor de alimentación.** *El manejo apropiado de la tijera cortasetos reducirá posibles lesiones personales de la cuchilla de corte.*
- c) **Cuando transporte o guarde el cortasetos, coloque siempre la cubierta de la cuchilla.** *La manipulación adecuada del cortasetos reducirá el riesgo de lesiones personales por las cuchillas.*
- d) **Cuando limpie el material atascado o realice el mantenimiento de la unidad, asegúrese de que todos los interruptores de alimentación estén apagados y que la batería esté retirada o desconectada.** *Use guantes de cuero o a prueba de cortes. El accionamiento inesperado del cortasetos mientras se limpia el material atascado o se realiza el mantenimiento puede provocar lesiones personales graves.*
- e) **Sujete la herramienta eléctrica solamente por los mangos aislados, porque la cuchilla de corte puede tener contacto con alambres escondidos o con el propio cable.** *Si la cuchilla de corte*

tiene contacto con un cable bajo tensión puede dejar expuesto partes metales de la herramienta eléctrica con tensión y puede causar un shock eléctrico al operador.

- f) **Mantenga todos los cables de alimentación y otros cables alejados del área de corte.** *Los cables de alimentación u otros cables pueden estar ocultos entre los setos o arbustos y pueden cortarse accidentalmente por la cuchilla.*
- g) **No utilice el cortasetos en condiciones de mal tiempo, especialmente cuando hay riesgo de rayos.** *Esto disminuye el riesgo de ser alcanzado por un rayo.*
- h) **Revisar la tijera para objetos desconocidos, por ejemplo alambradas.**
- i) **Sujete correctamente el cortasetos, por ejemplo, con ambas manos si se dispone de dos asas.**
- j) **El cortasetos está destinado a ser utilizado por el operador a nivel del suelo y no en escaleras ni ningún otro soporte inestable.**
- k) **Antes de utilizar el cortasetos, el usuario debe asegurarse de que el dispositivo o dispositivos de bloqueo de cualquier elemento móvil (por ejemplo, el eje extendido y el elemento pivotante), si los hay, estén en la posición de bloqueo.**
- l) **Dé mantenimiento a intervalos regulares a cualquier mecanismo de bloqueo ajustable.**

ADVERTENCIAS DE SEGURIDAD GENERAL PARA EL PAQUETE DE BATERÍA

- a) **No desensamble, abra o triture el paquete de batería.**
- b) **No exponga el paquete de batería a calor o fuego.** *Evite guardar a la luz directa del sol.*
- c) **No ponga en corto circuito el paquete de batería.** **No guarde el paquete de batería de forma aleatoria en una caja o cajón donde puedan ponerse en corto circuito entre sí o ponerse en corto circuito por otros objetos metálicos.** *Cuando el paquete de batería no esté en uso, manténgalo alejado de otros objetos metálicos, como sujetadores de papel, monedas, llaves, clavos, tornillos u otros objetos metálicos pequeños que puedan establecer una conexión de una terminal a otra. El corto circuito de las terminales de la batería puede causar quemaduras o incendios.*
- d) **No someta el paquete de batería a impacto mecánico.**
- e) **En el caso de fuga de la batería, no permita que el líquido entre en contacto con la piel o los ojos. Si**

hay contacto, lave el área afectada con bastante agua y busque atención médica.

- f) No use ningún paquete de batería que no esté diseñado para uso con el equipo.
- g) Mantenga el paquete de batería fuera del alcance de los niños.
- h) Siempre adquiera el paquete de batería recomendado por el fabricante del dispositivo para el equipo.
- i) Mantenga el paquete de batería limpio y seco.
- j) Limpie las terminales del paquete de batería con una tela seca limpia si se ensucian.
- k) El paquete de batería se necesita cargar antes del uso. Siempre use el cargador correcto y consulte las instrucciones del fabricante o el manual del equipo para saber las instrucciones correctas de carga.
- l) No deje el paquete de batería en carga prolongada cuando no esté en uso.
- m) Después de periodos prolongados de almacenamiento, puede ser necesario cargar y descargar el paquete de batería varias veces para obtener el desempeño máximo.
- n) Recargue únicamente con el cargador especificado por Cat®. No use cargadores que no sean los específicamente suministrados para uso con el equipo.
- o) Conserve la literatura el producto original para referencia futura.
- p) Sólo use el paquete de batería en la aplicación para la que está diseñado.
- q) Retire el paquete de batería del equipo cuando no esté en uso.
- r) Deséchelo adecuadamente.
- s) No mezcle celdas de diferente fabricación, capacidad, tamaño o tipo dentro del dispositivo.
- t) Mantenga la batería lejos de microondas y no la someta a altas presiones.

Conserve estas instrucciones

SÍMBOLOS



Para reducir el riesgo de lesiones, el usuario deberá leer el manual de instrucciones



Use protección auditiva



Use lentes de seguridad



Use máscara contra el polvo



Use siempre unos guantes de protección



Mantenga las manos alejadas de la hoja



No se exponga a la lluvia



Li-Ion

Batería de iones de litio. La batería deberá reciclarse.



No arrojar al fuego



Las baterías pueden entrar al ciclo de agua si se desechan incorrectamente, lo que puede ser peligroso para el ecosistema. No deseché las baterías de desperdicio como desperdicio municipal sin clasificar



Extraiga el enchufe de la toma eléctrica antes de llevar a cabo cualquier reparación o ajuste.



call2recycle®

POSITEC Inc. ha establecido una asociación con la empresa RBRC para el reciclaje de todas las baterías Positec que posean el sello RBRC-call2recycle. Para contribuir con la protección del medio ambiente, no deseché las baterías como residuos normales. Después de que haya finalizado el ciclo de vida útil de la batería, comuníquese al 1-800-822-8837 para acceder al servicio gratuito.

DATOS TÉCNICOS

Denominación de tipo DG620 DG620.9 (denominación - 2 de maquinaria, representativa de Cortasetos sin cable)

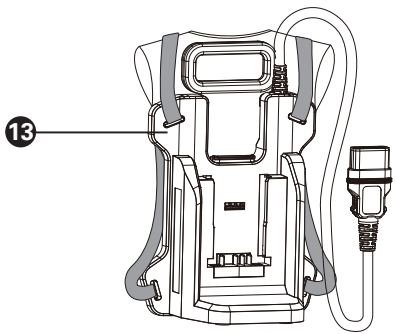
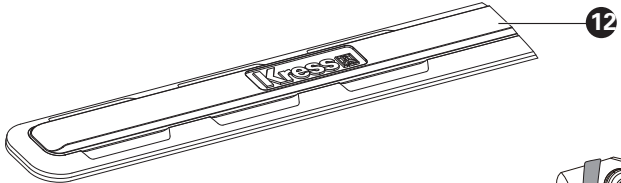
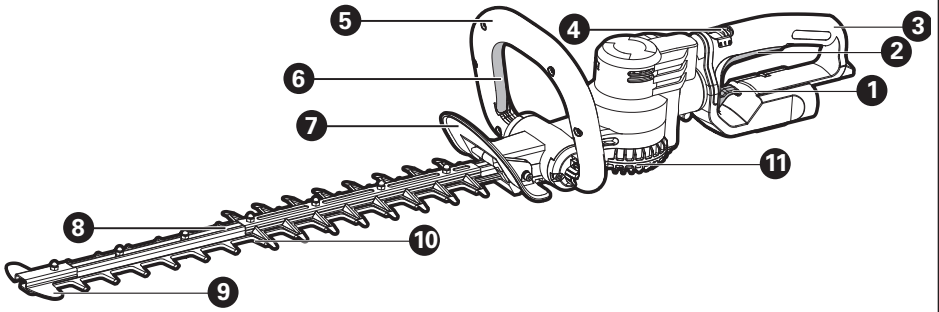
	DG620	DG620.9
Voltaje	60 V ==	
Velocidad sin carga	3200 /min	
Longitud de cuchilla	25" (65cm)	
Espacio de aspa	1.3" (34mm)	
Diámetro máximo de corte	1.3"(34mm)	
Máxima longitud de corte	22" (57cm)	
Ángulo de rotación de manija	180 grados en total	
Peso de la máquina	7.9 lbs (3.6 kg)	
Peso de la arnés mochila & Peso de la batería	3.3 lbs (1.5 kg)	

ACCESORIOS

	DG620	DG620.9
Guarda de seguridad	1	1
Funda de la cuchilla	1	1
Arnés mochila (DA82050)	1	1
Batería (DG6B25)	1	/
Cargador (DG6C3)	1	/

Le recomendamos que compre todos los accesorios en la tienda donde adquirió la herramienta. Consulte el empaque de los accesorios para obtener más detalles. El personal de la tienda también puede ayudarlo y aconsejarle.

ES



ES

LISTA DE PARTES

1. INTERRUPTOR DE BLOQUEO PARA ROTAR
2. GATILLO ACELERADOR
3. ASA TRASERA GIRATORIA
4. BOTÓN DE CONTROL DE DOS VELOCIDADES
5. ASA DELANTERA
6. INTERRUPTOR DE PRESENCIA DEL OPERADOR
7. GUARDA DE SEGURIDAD
8. CUCHILLA
9. PROTECTOR DE PUNTA
10. GUARDA DE CUCHILLAS
11. CAJA DE CAMBIOS DE METAL
12. FUNDA DE LA CUCHILLA
13. ARNÉS MOCHILA

* Tenga en cuenta que todos los accesorios ilustrados o descritos se encuentran incluidos en una entrega estándar.

INSTRUCCIONES DE USO



NOTA: Antes de usar la herramienta, lea atentamente el manual de instrucciones.

ENSAMBLE:

ENSAMBLAR LA GUARDA DE SEGURIDAD (VEA LA FIG. A)

Asegure la guarda de seguridad en el cortasetos con el tornillo.

COMPROBACIÓN DEL ESTADO DE CARGA DE LA BATERÍA (VEA LA FIG. B1)

NOTA: La Fig. B1 solo se aplica al paquete de baterías con luz indicadora de batería.

El nivel de la batería se puede determinar presionando el botón indicador de energía al lado de las luces de batería. Presione el botón antes y después de cada uso para que compruebe la batería

Observaciones	Luz LED	Estado de la batería
Cinco luces verdes iluminadas.		70 % ≤ nivel de energía ≤ 100 %
Cuatro luces verdes iluminadas.		50 % ≤ nivel de energía < 69 %
Tres luces verdes iluminadas.		35 % ≤ nivel de energía < 49 %
Dos luces verdes iluminadas.		20 % ≤ nivel de energía < 34 %
Una luz verde iluminada.		10 % ≤ nivel de energía < 19 %
Ninguna luz iluminada.		Nivel de energía < 10 %

CARGAR EL PAQUETE DE BATERÍAS (VEA LA FIG. B2)

- Su paquete de baterías está cargado parcialmente y debe cargarlo completamente antes del primer uso.
- Puede encontrar más detalles en el manual del cargador.

CONECTAR EL CORTASETOS AL ARNÉS MOCHILA (VEA LA FIG. B3, B4, B5)

Instale el paquete de baterías en el arnés mochila, después inserte el enchufe en la máquina. Póngase el arnés mochila.

Puede encontrar más detalles en el manual del arnés mochila.

FUNCIONAMIENTO:

ARRANQUE Y PARO

Retire la funda de la cuchilla. (Vea la Fig. C1)

Hay dos posiciones de velocidad que usted puede elegir según sus necesidades. (Vea la Fig. C2)

Empuje el control de velocidades de dos cambios a la posición 1 o 2. Después, presione el gatillo acelerador y el interruptor de presencia del operador simultáneamente para comenzar. (Vea la Fig. C3)

Libere el gatillo acelerador o el interruptor de presencia del operador para detener el funcionamiento. (Vea la Fig. C4)

Cuando la máquina no esté en uso, apague el cortasetos y desconéctelo del arnés mochila.

MANIJA TRASERA GIRATORIA (VEA LA FIG. D1, D2)

NOTA: Desbloquee el interruptor de bloqueo antes de girar. Después de girar el asa a la posición deseada, ajústela un poquito hasta que oiga un clic.



ADVERTENCIA: Siempre asegúrese que la manija esté bloqueada en la posición deseada antes de la operación. No opere la manija cuando se esté operando el cortador.

CÓMO USAR SU CORTASETOS

Antes de cortar una superficie, primero examínela y retire cualquier objeto extraño que pudiera ser lanzado por o quedar atascado en la cuchilla.

Antes de ponerlo en funcionamiento, sostenga siempre el cortasetos con ambas manos y con la cuchilla alejada de Ud.

Cuando corte césped nuevo, hágalo mediante un movimiento de barrido amplio, de modo que los tallos

entren directamente en la cuchilla.

Deje que las cuchillas alcancen la velocidad máxima antes de cortar. Cuando maneje la máquina mantenga las cuchillas alejadas de las personas y de objetos tales como paredes, piedras grandes, árboles, vehículos, etc. Si la cuchilla se atasca, apague inmediatamente la herramienta. Suelte las dos palancas de interruptor antes de retirar material atascado de la cuchilla. Use guantes cuando corte material espinoso. No intente cortar tallos demasiado gruesos para la cuchilla.

CORTE SUPERIOR (VEA LA FIG. E)

Emplee un movimiento de barrido amplio. Los mejores resultados se obtienen inclinando las cuchillas levemente hacia abajo y en la dirección del movimiento.



ADVERTENCIA: Si faltan piezas, o están dañadas o rotas, no utilice su cortasetos hasta que se hayan sustituido o reparado todas las piezas dañadas. La falta de acatamiento a esta regla podría dar lugar a daños corporales serios.

CORTE LATERAL (VEA LA FIG. F1, F2)

Cuando efectúe la poda de los laterales del seto, comience desde el suelo y corte hacia arriba, estrechando el interior del seto en la parte superior. Este tipo de corte dejará expuesta una mayor superficie del seto, dando por resultado un crecimiento más uniforme.



ADVERTENCIA: Detenga la operación del cortasetos antes de girar la manija.

MANTENIMIENTO:



Retire el Paquete de la batería de la herramienta antes de realizar cualquier ajuste, servicio o mantenimiento. Revise siempre el producto antes de su uso por si tiene cualquier daño.

Después del uso, desconecte la batería de la herramienta y revísela por si tiene daños.

LUBRICACIÓN

Lubricación del aspa de corte (Vea la Fig. G1)

NOTA: Es importante usar sólo la barra estándar y el aceite de cadena recomendados (WD-40) para evitar daño a la cuchilla.

Lubricar la caja de cambios (Vea la Fig. G2, G3)

Retire el tapón tornillo de la carcasa del mecanismo. Lubricar la caja de engranes a través del orificio para aceitar después de cada 150 horas de funcionamiento. Retire los tornillos de la tapa de la caja de cambios, y retire la tapa. Lubricar después de cada 300 horas de

funcionamiento.

NOTA: Para el mejor funcionamiento y mayor vida útil, lubrique la caja de cambios del cortasetos con la grasa (V-100).

AFILADO



Advertencia: No utilice su máquina con cuchillas de corte melladas o dañadas, eso provocará sobrecarga y rendimiento no satisfactorio. Cuando el rendimiento de corte comience a deteriorarse, vuelva a afilar la cuchilla. Use guantes protectores cuando afile herramientas. Afile solamente el borde cortante. Debe afilarse por un profesional. No desbaste las partes romas salientes de la cuchilla de corte ni su guarda. Use una piedra de afilar para remover la rebaba del borde cortante. Después de afilar, limpie el polvo de la cuchilla.

ALMACENAMIENTO

Limpie las cuchillas de corte después del uso. Guarde la máquina en un lugar seco, fuera del alcance de los niños y de otras personas no autorizadas.

PARA HERRAMIENTAS DE BATERÍA

El rango de temperatura ambiente para uso y almacenamiento de la herramienta y la batería es de 32°F-113°F (0°C-45°C).

El rango de temperatura ambiente recomendado para el sistema de carga durante la carga es de 32°F-104°F (0°C-40°C).



www.catpowertools.com
AR01577200



©2021 Caterpillar. CAT, CATERPILLAR, their respective logos, "Caterpillar Yellow," the "Power Edge" trade dress as well as corporate and product identity used herein, are trademarks of Caterpillar and may not be used without permission. Positec Group Limited, a licensee of Caterpillar Inc