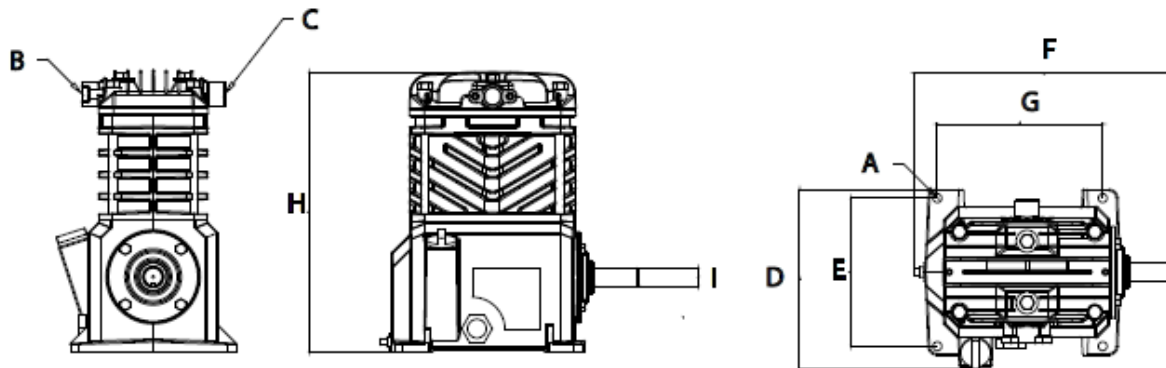
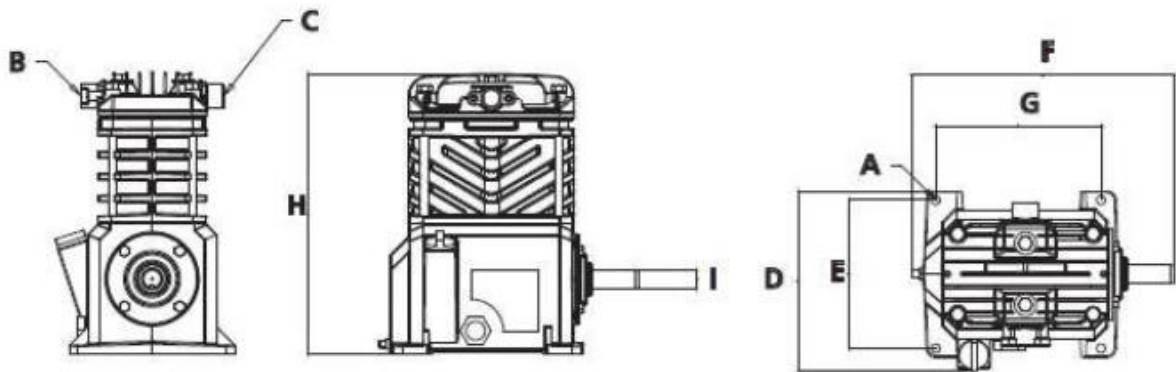


SPECIFICATIONS AND DIMENSIONS

SPECIFICATIONS	VT4823	VT4923
Weight	30 lbs.	30 lbs.
HP	1, 1.5, 2	2, 3
Free Air CFM @ Max Pressure	3.0, 3.7, 4.9	4.9, 7.9
Pump RPM	690, 860, 1020	690, 1020
Sheave Size @ 1725 RPM	4.0 inch, 5.0 inch, 5.9 inch	4.0 inch, 5.9 inch
Sheave Size @ 3450 RPM	2 inch, 2.5 inch, 2.95 inch	2 inch, 2.95 inch
Max RPM	1200	1200
Max Pressure	135 PSI	135 PSI



KEY	ITEM	VT4823	VT4923
A	Mounting Hole Diameter	0.35 inch	0.35 inch
B	Inlet Diameter	0.5 inch NPT	0.5 inch NPT
C	Outlet Diameter	0.375 inch NPT	0.375 inch NPT
D	Overall Width	7.0 inch	7.0 inch
E	Bolt Down Width	5.88 inch	5.88 inch
F	Overall Length	10.25 inch	10.25 inch
G	Bolt Down Length	6.56 inch	6.56 inch
H	Overall Height	11.25 inch	11.25 inch
I	Shaft Diameter	0.75 inch	0.75 inch