

California Air Tools 365C (5) Gallon Pressure Pot



IMPORTANT:  
Read all safety and operating  
instructions carefully before use.  
Keep this Manual for reference.

 **WARNING**

Even when the tool is used as prescribed, it is not possible to eliminate all risk factors.  
The following hazards may occur when using this tool.

Damage to lungs if a dust mask is not worn.



Damage to hearing if hearing protection is not worn.



Wear eye protection.



## Description:

The sturdy construction and compact design makes this products the ideal choice for both amateur and professional.

Designed for many applications including spray painting and casting.

An air compressor, air hose and fluid hose can be needed to operate this tool.

Item No.	365C	
Max Presssure:	80 PSI	
Capacity:	5 Gallon	
Air Input:	1/4"	
Fluid Output:	3/8"	
Exterior:	16"W & 24 1/2" H	
Inner:	13"W & 14 3/4" D	

## Safety Guidelines:

This manual contains information that is important for you to know and understand.

This information is for your protection and safety. Improper use, operation or maintenance of this product could result in injury or property damage.

Please Read and understand all warnings and operating instructions before use. Save these instructions.

**Warning!** Over pressurization can result in explosion. Max: 80 PSI

1. Exceeding the Maximum pressure in the tank can cause the tank to over pressurize and explode resulting in serious injury or property damage. Always make sure that equipment connected to tank or hose outlet has a higher pressure rating than the regulated air pressure in the tank.

**Warning!** Risk of tank explosion.

1. Modifications to the tank's design or construction could weaken it. Assemble tank components in accordance with the service instructions. Do not drill into tank, or weld attachments, or alter its design in any manner.
2. Substitution of unauthorized non-standard components could weaken tank or cause component failure. Use only those components furnished with the tank. Assembled in accordance with instructions in the service literature.
3. Damage to the tank or its components could weaken the tank. Never attempt to repair a damaged tank . Replace it with a new one.
4. Improper cleaning or maintenance could block air passages to the safety valve, gauge or outlet, allowing pressure to rise to dangerous levels , and preventing the lowering of tank pressure.

Following each use, clean and dry tank and lid in accordance with maintenance instructions. Ensure ports to safety valve, gauge and outlet are free of hardened paint or other materials which could prevent free movement of air.

5. Tampering with the safety valve could allow tank pressure to rise to dangerous levels. Never attempt to adjust safety valve to change its pressure setting, or defeat its function in any way. Operate the valve before each use to assure that it functions properly.
6. Removal of the lid while the tank is under pressure could result in the lid being propelled violently from the tank. Before releasing clamp force to remove the lid, shut off the supply of tank inlet air and turn the regulator knob counter-clockwise to relieve air pressure. Check by pulling the safety valve ring.
7. Use of reactive chemicals could attack the lid gasket and safety valve seal, allowing tank pressure to rise to dangerous levels.  
If this reaction occurs within an enclosed structure such as this tank, it may cause explosion. Do not use reactive chemicals in your tank such as acids, caustic solutions, or halogenated hydrocarbon solvents.
8. Over tightening clamps, causing them to weaken and fail could result in the lid being propelled violently from the tank. If the lid gasket leaks, relieve the tank pressure and clean or replace the gasket.

## Assembly

1. Attach the swivel wheels (4) to the base legs on the tank.
2. Attach the air hose to the inlet fitting located on the tank regulator (right or left side optional).
3. Connect material hose to the fluid outlet adapter located on the tank lid.

Using an air pressure regulator on paint tank

The pressure regulator on the paint tank regulates the amount of pressure applied to the paint in the paint tank. This controls the pressure of the paint being delivered to the spray gun .

Important: Before turning on air pressure, completely loosen the regulator T-handle adjusting screw to shut off the air pressure. Turn on the air, then, adjust the regulator to the required pressure.

## Operation:

1. Before filling the tank with material, thoroughly mix and strain the paint to remove skins or undissolved particles with might otherwise block the flow of material through the hose and gun. A (5) gallon can of paint can be set inside the tank instead of pouring the paint into the tank.
2. Place lid assembly on tank and hand tighten tank lid clamp screws.
3. Shut off the paint tank regulator by turning T-handle counter-clockwise. Adjust the compressor regulator to obtain the desired air pressure on the spray gun .
4. Now adjust the regulator on the paint tank to obtain the desired air pressure for the material. The higher above the paint tank you are spraying, the more pressure you will need on the material. Normal operating pressure on the paint tank is 60 PSI. Should you wish to reduce pressure, simply rotate the T-handle adjusting screw counter clockwise until the desired pressure setting is obtained. There is no need to trigger the gun in order to bleed off excess paint pressure.

**Warning:** Do not use over 80 PSI in your tank.

## Cleaning

**Warning:** Always shut off air pressure at source and bleed off all pressure in the paint tank by gently pulling safety valve before loosening thumb screw and clamps to remove lid.

It is very important that the tank, material hose and spray gun be cleaned as soon as the spray job is finished. Turn off the main air supply to the tank. Remove all pressure from the tank by pulling on the safety valve until the pressure bleeds down. Turn the T-handle adjusting screw on the regulator counter-clockwise until no spring tension is felt.

Loosen thumb screws, tip clamps back and tip tank lid down to one side. Loosen spray gun air cap retaining ring about three turns then turn on the air supply. Cup cloth over air cap on the gun and pull trigger. This will force the material back through the hose. into the tank. Empty and clean tank and parts which come in contact with the material. Use a suitable solvent. Pour solvent into the tank. Replace lid and tighten the thumb screws and clamps and spray until clean solvent appears.

# Warranty

Limited Warranty: 1 Year

This warranty is limited to California Air Tools Products.

California Air Tools will repair or replace, free of charge, to the original retail customer whom purchased a California Air Tools product from an authorized dealer.

This warranty does not transfer subsequent owners.

California Air Tools will repair or replace, at its option, any parts that are proven by an authorized service center to be defective in material or workmanship under normal use during the application warranty time period stated as above.

The limited warranty covers the cost of the replacement parts and labor for defects when installed by an authorized service center.

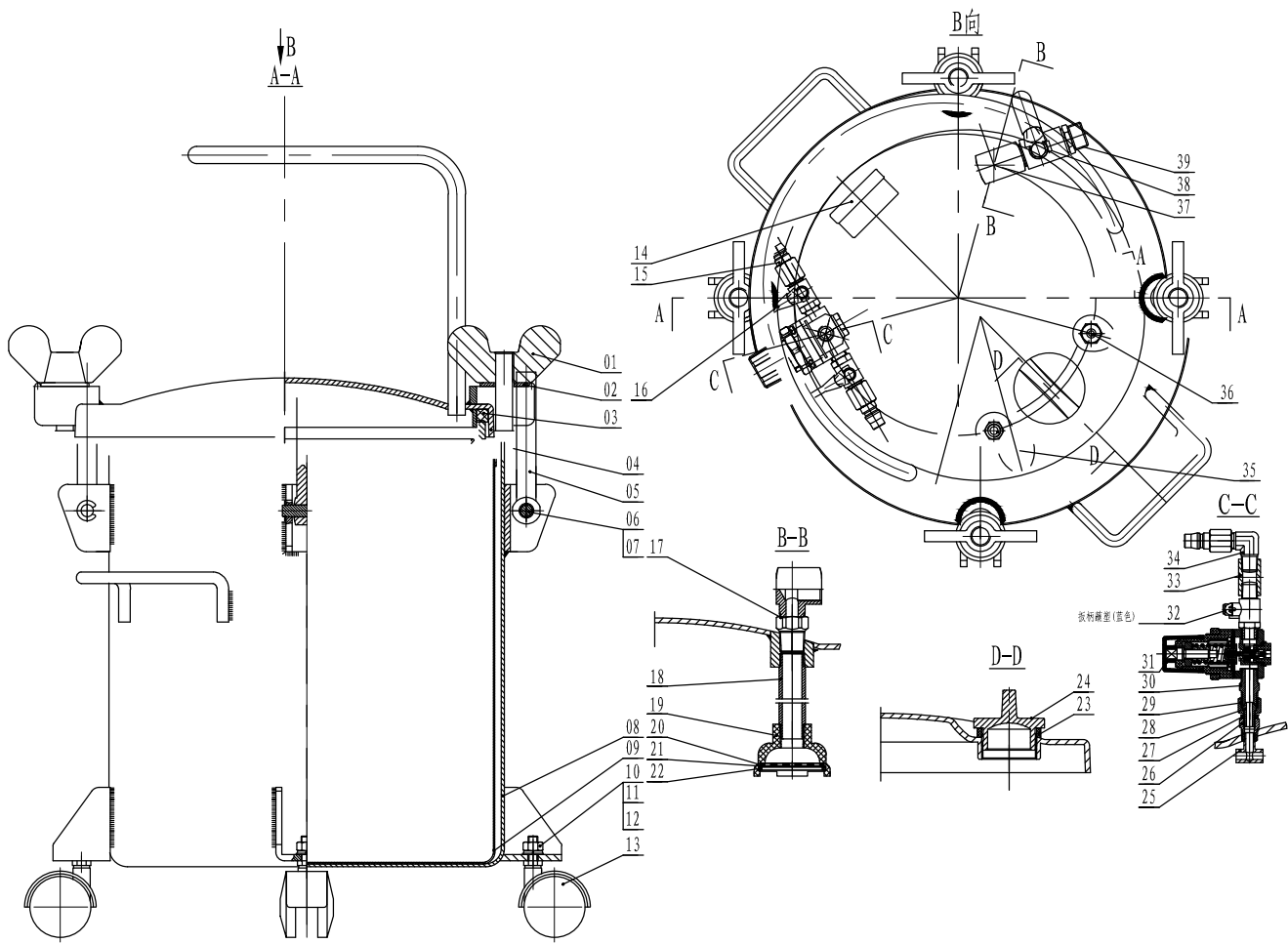
Transportation charges are the responsibility of the customer.

The limited warranty period begins on the date of the retail purchase by the original purchaser.

California Air Tools  
8560 Siempre Viva Road  
San Diego, Ca 92154

866-409-4581

[www.californiaairtools.com](http://www.californiaairtools.com)



01	Butterfly nut	4	14	Pressure gage	1	27	Nut	1
02	Washer	4	15	Female male connector	3	28	Fluid Inlet Plug	1
03	Sealing washer	1	16	Valve	3	29	Nut	1
04	Combination tank cover	1	17	Plug	1	30	Gage connector	1
05	Lock Bolt	4	18	Tube	1	31	voltage regulator	1
06	Pin	4	19	Filter seat	1	32	Valve	1
07	split washer d=8.5	8	20	Filter washer	1	33	Air inlet seat	1
08	Combination tank	1	21	Filter	1	34	Connector	1
09	Combination Inner	1	22	Filter circlip	1	35	Air Outlet valve	1
10	Nut M8	4	23	Sealing washer	1	36	Safety valve assembly	1
11	spring washer	4	24	Cap	1	37	3/8 Fluid Outlet Seat	1
12	Flat washer d=8	4	25	Air converter	1	38	3/8 Valve	1
13	Wheel	4	26	Air Inlet plug	1	39	Fluid Outlet plug	1

