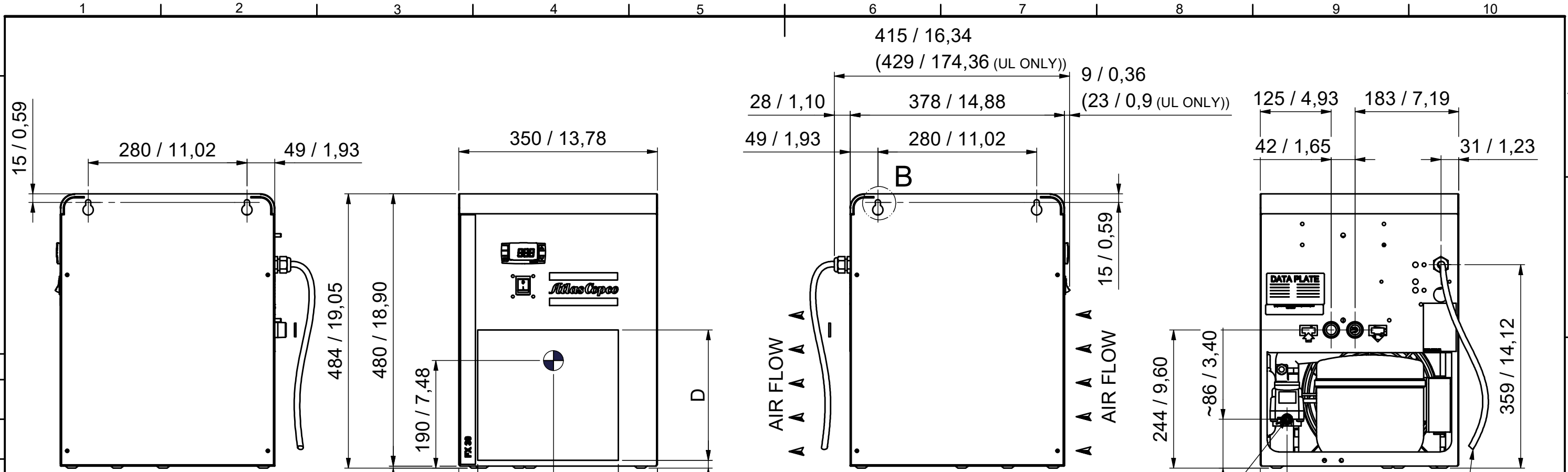
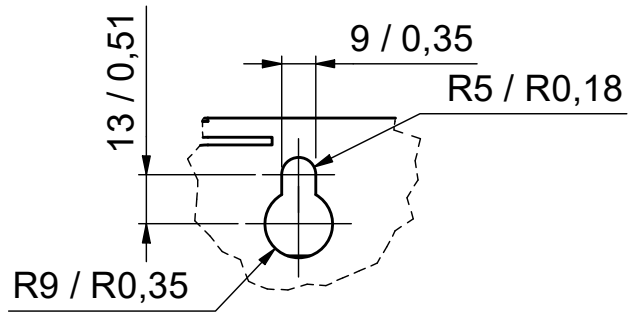


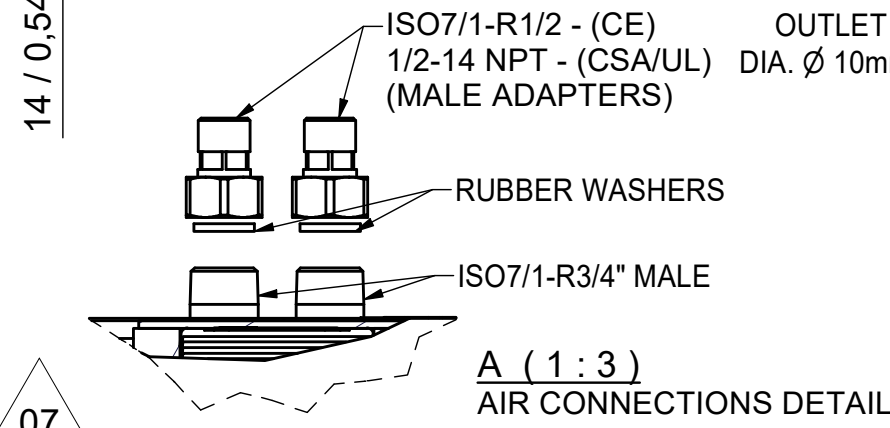
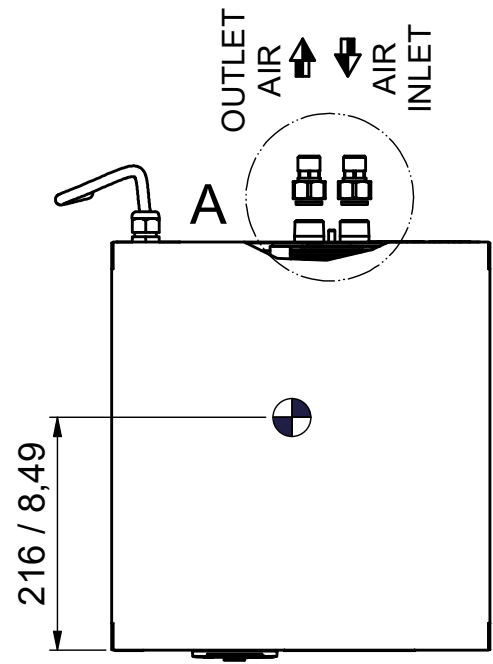
All materials supplied are in compliance with the requirements of the List of Prohibited Substances



B ( 1 : 2 ) (4x)



CENTER OF GRAVITY



DRYER VERSION	A (mm / inch)	B (mm / inch)	C (mm / inch)	D (mm / inch)
FX 1-2-3 MODEL (R134a)				
FX 5-10-15 MODEL (R513A)	81 / 3,19	188 / 7,4	81 / 3,19	175 / 6,89
FX 4N-6N-9N MODEL (R513A)				
FX 4-5 + FX HT1 MODEL (R134a)				
FX 20-30 MODEL (R513A)	34 / 1,34	248 / 9,76	68 / 2,68	230 / 9,06
FX 14N MODEL (R513A)				
FX HT15 MODEL (R513A)				

Tolerances, if not indicated, according to:				
ATLAS COPCO STANDARD CLASS				
Name		DIMENS. DRAWING		FX1-5+FX5-30
Material		Not applicable		FXHT1+15+FX4N-14N
Treatment		Not Applicable		INV
Scale		1:7		Family FX, FX HT, FX N
Drawn by		sgraser		Blank nr.
Drawing format		A3		Blank wt
STATUS		Approved Internal		0 Kg
Des checked.		Prod checked.		Approved.
Date		14/04/2005		Designation
Ed		Position		Sheet 1 / 1

ALL DIMENSIONS: mm / inch

CONFIDENTIAL: This document is property of Atlas Copco AB and shall not without our permission be altered, copied, used for manufacturing or communicated to any other person or company.

07	Table updated. CID.27729, DN20054181	31-10-20	CAlebettin	2202754900	03.00
Ed	Modified from	Date	Intr./Appd.	Parent 3D model	Ed . Version 3D

2202754900