



STANDBY GENERATORS

12kW¹ STANDBY GENERATORS



DON'T LET ITS SIZE FOOL YOU.

Gain the peace of mind that comes with owning a home standby generator without compromising your home's curb appeal. Our Briggs & Stratton 12kW¹ home generator is now 50% smaller than our previous 12kW¹ model. Powered by our commercially-rated Briggs & Stratton Vanguard™ engine, this compact generator produces enough power to supply the electrical needs of a home up to 8000 sq feet. More than enough to keep your furnace, lights, sump pump, refrigerator – and your life – running.

Whole-house power with our sleek 12kW¹ is possible with our proven patented Symphony® II power management system. As the smartest, most customizable Power

Management system available, this proven technology is the easiest way to give your customers unprecedented peace of mind and protection during a power outage.

FEATURES AND BENEFITS

Streamlined, Space-Saving Design

Streamlined compact design is 50% smaller than our previous 12kW¹ generator.

Quieter – Compared with our previous 12kW¹ generator, our new Compact 12kW¹ is quieter by 4 decibels.

Briggs & Stratton Vanguard™ Engine

Briggs & Stratton commercial-grade Vanguard™ engines are designed and engineered to provide long-lasting, reliable power to give your customers permanent protection.

More Affordable Whole-House Power

Symphony® II Power Management automatically balances the power needs of your home's electrical loads – including high wattage items like air conditioning units, electric stoves and electric dryers – to give your customers uninterrupted, whole house power with a more affordable home generator.

Durable Enclosure

Designed to weather the elements, the system's enclosure is made from automotive-grade Galvanneal steel to resist rust. Its advanced powder coat paint process results in years of protection against chips and abrasions.

5 Year Parts and 3 Year Labor Limited Warranty*

Your Briggs & Stratton guarantee of quality and performance.

GENERATOR SET RATINGS

| MODEL | VOLTAGE | POWER FACTOR | PHASE | HZ | BREAKER | LIQUID PROPANE GAS | | NATURAL GAS | |
|--------|---------|--------------|-------|----|---------|--------------------|------|-------------|------|
| | | | | | | KW | AMPS | KW | AMPS |
| 040517 | 120/240 | 1.0 | 1 | 60 | 60A | 12 | 50.0 | 10 | 41.7 |

FEATURES & BENEFITS

DURABLE ENCLOSURE

Our enclosures are made from the same rust-resistant, durable Gavanneal steel that is found in the automotive industry, which results in protection against chipping and abrasions.

QUICK RESPONSE

Automatically powers your home in seconds after sensing a power outage.

MORE AFFORDABLE WHOLE-HOUSE POWER

Whole-house power is now a whole lot more affordable with Briggs & Stratton's new Symphony® II Power Management system. As the most customizable Power Management system anywhere, this patented technology is the easiest way to give your customers unprecedented peace of mind and protection during a power outage.

With Symphony® II Power Management, you can select up to eight high-wattage appliances based on your customer's specific power needs. It then manages the distribution of power from the generator to those appliances — automatically. This load management ensures the generator won't overload so your customers can continue with their daily routine uninterrupted.

Additionally, the Symphony® II Power Management transfer switch is wired into your home's existing wiring, where it monitors your home's electrical circuits, so you save even more on the cost of installation.

SIMPLE MAINTENANCE

More service access to the engine and alternator plus a user-friendly control panel makes repairs easier and less costly for homeowners.

IMPROVED COLD WEATHER KIT

Tested to start down to -20° F, you can count on Briggs & Stratton standby generator engines to start on the coldest of winter days and deliver the power your customers rely on during a power outage with a Briggs & Stratton® Cold Weather Kit. The thermostatically controlled battery warmer and oil heaters activate as the temperature drops increasing battery temperature for the engine to start. Each kit includes a battery warmer and an oil heater.

| ENGINE SPECIFICATIONS | 12kW ¹ |
|-------------------------------|---------------------------------|
| Engine Model | Briggs & Stratton Vanguard™ |
| Engine Model Type Trim Number | 3895750001E1 |
| Engine Cylinder Configuration | OHV |
| Number of Cylinders | 2, V-Twin |
| Engine Speed | 3600 RPM |
| Displacement (cu.in./cc) | 38/627 |
| Bore (in) | 2.97 |
| Stroke (in) | 2.76 |
| Engine Weight (lbs) | 84 |
| Engine Fuel | Liquid Propane (LP)/Natural Gas |
| Induction System | Naturally Aspirated |
| Starter | Industrial |
| Valves | OHV with Hardened Seats |
| Air Filter Type | Standard, UL Approved |
| Governor Type | Electronic |
| Frequency Regulation | +/- .5% |
| Start Type | Automatic |
| Lubrication System | Full Pressure |
| Recommended Oil | 5W30 Full Synthetic |
| Oil Capacity (oz.) | 42-48 |
| Oil Cooler | Yes |
| Low Oil Pressure Sensor | Yes |
| Cooling System Type | Air-cooled |

| AUTOMATIC TRANSFER SWITCH (SOLD SEPARATELY) | | | | | |
|---|---|-------------------------------|-------------------------------|-------------------------------|-------------------------------|
| Model # | 071047 | 071071 | 071068 | 071057 | 071070 |
| Circuits | 16 | Whole House | Whole House | Whole House | Whole House |
| Amps | 100A | 100A | 200A | 2x200A | 150A |
| Common Features | 120/240 Voltage, 2 Poles, 60Hz Frequency, NEMA 3R, UL 1008 Listed | | | | |
| Power Management Method | ACCM, Patented A/C Power Control Module | Symphony® II Power Management | Symphony® II Power Management | Symphony® II Power Management | Symphony® II Power Management |
| Dimensions (L x W x H) | 6" x 14" x 24" | 6" x 14" x 24" | 7" x 16" x 30" | 7" x 24" x 37" | 7" x 16" x 30" |
| Weight | 39 lbs. | 29 lbs. | 58 lbs. | 105 lbs. | 58 lbs. |

| WEIGHT AND DIMENSIONS | 12kW ¹ |
|----------------------------------|-------------------|
| Assembled Weight (lbs) | 318 |
| Assembled Dimensions (L x D x H) | 28" x 26" x 37.2" |
| Packaged Weight (lbs) | 345 |
| Packaged Dimensions (L x D x H) | 39" x 33.5" x 45" |

LP FUEL CONSUMPTION⁴

12kW¹

| | |
|--|----------|
| 100% Load (ft ³ /hr / gal/hr) | 83.8/2.3 |
| 50% Load (ft ³ /hr / gal/hr) | 62.1/1.7 |

NG FUEL CONSUMPTION⁴

12kW¹

| | |
|---------------------------------|-----|
| 100% Load (ft ³ /hr) | 172 |
| 50% Load (ft ³ /hr) | 117 |

OTHER FEATURES

| | |
|-----------------------------|--|
| Enclosure Material | Galvanneal with Corrosion Resistant Paint |
| Overcrank Protection | Yes |
| Engine Warm-up (sec) | 20s or 50s ATS Jumper Controlled |
| Engine Cool Down (min) | 1 min. |
| Response Time (sec) | 26s or 56s ATS Jumper Controlled |
| 2 Wire Sensing | Yes |
| Continuous Battery Charging | Yes |
| Battery | 12V, Not included. BCI size 26, battery min 540 CCA; Below 30°F: BCI size 24F battery, min 800 CCA |
| Monitoring | Optional Basic Wireless Monitor Available |

SOUND RATING AT 7 METERS, PER ISO 3744

LOWEST SIDE

| | |
|-------------|----|
| Normal Load | 69 |
|-------------|----|

* Average sound level per ISO 3744

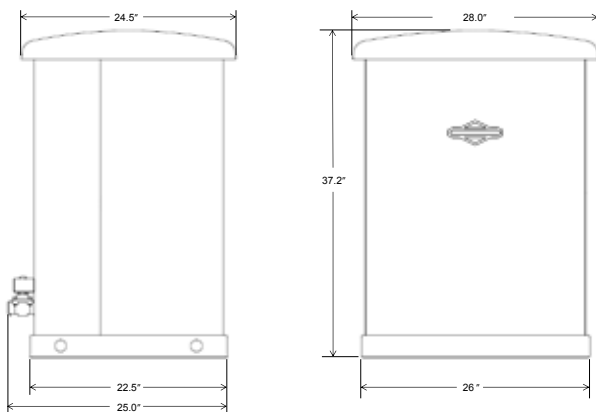
**Lowest measurement of 12 microphones around generator. Sound level measurements at other locations around generator may be different depending upon installation configuration.

CERTIFICATIONS

| | |
|-----|-----|
| UL | Yes |
| cUL | Yes |

LIMITED WARRANTY²

Consumer Warranty (Product) 5 Year Parts and 3 Year Labor



ALTERNATOR SPECIFICATIONS

| | |
|------------------------------|------------------------------|
| Manufacturer | Meccalte |
| Type | Self-Excited, Rotating Field |
| Brushed/Brushless Alternator | Brushless |
| Voltage Regulation | Automatic |
| Number of Poles | 2 |
| Insulation | Class H |

CONTROLLER FEATURES

| | |
|------------------|-----|
| Hour Meter | Yes |
| Weekly Exerciser | Yes |



CONTROLLER FAULT CODES

| | |
|---|--------------------------|
| Remote System Status alerts are communicated to a small wall mountable display with a light indicator and a quick reference to the codes on the generator. The number of blinks represent the fault code issue. | 1. Low Oil Shutdown |
| | 2. Engine Does Not Start |
| | 3. Low Frequency |
| | 4. Engine Overspeed |
| | 5. Low Voltage |
| | 6. Low Battery Voltage |
| | 7. Engine Temp High |
| | 8. Transfer Switch Fault |

Not for Prime Power or use where standby systems are legally required, for serious life safety or health hazards, or where lack of power hampers rescue of fire-fighting operations.

¹ This generator is rated in accordance with UL (Underwriters Laboratories) 2200 (stationary engine generator assemblies)

² Warranty details available at briggsandstratton.com

³ Installations must strictly comply with all applicable codes, industry standards, laws, regulations and provided installation manual. Running engines give off carbon monoxide, an odorless, colorless, poisonous gas so it is important to keep exhaust gas away from any windows, doors, ventilation intakes or crawl spaces. The installation manual contains specific instructions related to generator placement in addition to NFPA 37, including the requirement that carbon monoxide detectors be installed and maintained in your home

⁴ Fuel consumption rates are estimated based on normal operating conditions. Generator operation may be greatly affected by elevation and the cycling operation of multiple electrical appliances – fuel flow rates may vary depending on these factors.

SUPPORT EVERY STEP OF THE WAY

Need help? Just call 800-759-2744. Our technical support team is trained to answer questions on our generators, transfer switches and accessories.

**READY TO PLACE AN ORDER?
OUR TEAM IS READY TO HELP.
CALL 1-87-RELY-ON-US.**

WHY CHOOSE BRIGGS & STRATTON?

Briggs & Stratton offers a full line of automatic Standby Generators from 8-60kW¹ for protection during a power outage.

TRUSTED BRAND

Briggs & Stratton has been providing reliable engine power for over 100 years. It's a name that your customers know and trust. Customers are confident that Briggs & Stratton products have the power to perform for many years.

RELIABLE PRODUCTS

Field-driven design and extensive testing help ensure that customers are receiving one of the best standby generators available.

Trust the proven power experts at Briggs & Stratton for complete peace of mind.

TRANSFER SWITCHES

BRIGGS & STRATTON® TRANSFER SWITCH

Briggs & Stratton® Transfer Switch options for the 12kW¹ standby generators include:

- 100 Amp, 16 Circuit Transfer Switch
- 100 Amp Symphony® II Transfer Switch
- 150 Amp Symphony® II Transfer Switch
- 200 Amp Symphony® II Transfer Switch

With Symphony® II Power Management, you can select up to eight high-wattage appliances based on your family's specific power needs. It then manages the distribution of power from the generator to those appliances – automatically. This load management ensures the generator won't overload so your customer's family can continue with its daily routine uninterrupted.

Flexible, indoor or outdoor, transfer switch placement make it convenient to install. All of our weather-resistant transfer switches are NEMA 3R rated for maximum protection against dirt, rain, sleet and snow.

AVAILABLE ACCESSORIES

MAINTENANCE KIT - MODEL 6035

Briggs & Stratton® maintenance kits help you complete scheduled maintenance and prevent costly repairs on your standby generator. Maintenance kits are designed specifically for your generator's needs. Each maintenance kit contains oil and air filters, synthetic oil, and spark plugs.

COLD WEATHER KIT - MODEL 6348

Help ensure smooth starting and reliable operation in the winter months with the Briggs & Stratton® Cold Weather Kit tested to start at -20° F. The thermostatically controlled battery warmers and oil heaters activate as the temperature drops. Each kit includes a battery warmer and an oil heater.

INFOHUB™ WIRELESS MONITORING - 6260

Using your computer, tablet or smart phone, standby generator owners can instantly check their generator's system status from home or away. The cellular-based system sends generator status alerts or maintenance needs to your personal email, phone or servicing dealer's phone.