

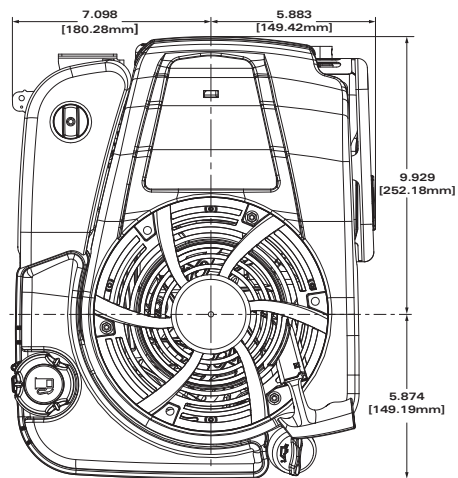
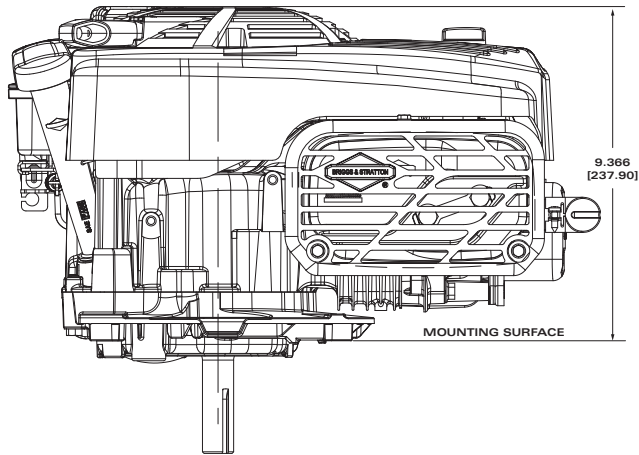
# PROFESSIONAL SERIES™ 8.75 GROSS TORQUE\*

## 190 CC

Bore 2.69 in. (68.30 mm)

Stroke 2.04 in. (51.80 mm)

Oil Capacity 18-20 fl. oz. (0.54-0.59 L)



## FEATURES:

ReadyStart® starting system with no prime, no choke, no worries, just pull for power

Certified to CARB Tier III and meets 2012 EPA Phase 3 Standards

Large rewind starter reduces pulling effort for easy starting

Commercial grade air cleaner with dual seals for longer engine life

Overhead valve design (OHV) for cooler operation and longer valve life

Mechanical Governor

**Buyer protection package provides two-year limited consumer engine warranty\*\***

MTT	Crankshaft #	P.T.O. Diameter	Drilled & Tapped	Keyway	Length	Starter Position	Ext. Starter Rope	Heavy Flywheel	Controls	5 Position Choke	Primer Carburetor	ReadyStart®	Oil Pump w/Filter	Fuel Tank (Quarts)	Top Governor Speed	CPSC Blade Break	Notes
<b>121S02</b>																	
0028-F1	796924	7/8 in.	3/8-24	1#505 WK 3/16-Str.	2-7/16	5:30	X		R/MF			X		1.2	3100	X	
0130-F2	797740	25 mm	7/16-20	3/16-Str.	3-5/32	5:30	X	X	FC			X		1.2	3400		
2005-F1	796469	7/8 in.	3/8-24	2#505 WK 3/16-Str.	3-5/32	5:30	X	X	R/MF			X		1.2	3100		
2015-F1	796469	7/8 in.	3/8-24	2#505 WK 3/16-Str.	3-5/32	5:30	X		R/MF			X		1.2	3100	X	
2022-F1	796467	7/8 in.	3/8-24	1#505 WK 3/16-Str.	1-13/16	5:30	X	X	FC			X		1.2	3800		
2025-F1	796468	25 mm	3/8-24	2#605 WK 1/4-Str.	3-5/32	5:30	X		R/MF			X		1.2	3100	X	
<b>121S07</b>																	
2060-F1	796469	7/8 in.	3/8-24	2#505 WK 3/16-Str.	3-5/32	5:30	X		R/MF			X		1.2	3100	X	3
2062-F1	796468	25 mm	3/8-24	2#605 WK 1/4-Str.	3-5/32	5:30	X		R/MF			X		1.2	3100	X	3
2064-F1	796467	7/8 in.	3/8-24	1#505 WK 3/16-Str.	1-13/16	5:30	X	X	FC			X		1.2	3400		3
<b>121S12</b>																	
2008-F1	796469	7/8 in.	3/8-24	2#505 WK 3/16-Str.	3-5/32	5:30	X	X	FC			X		1.2	3800		
<b>121S17</b>																	
0127-F2	797740	25 mm	7/16-20	3/16-Str.	3-5/32	5:30	X	X	FC			X		1.2	3400		3
<b>121S72</b>																	
2030-F1	796468	25 mm	3/8-24	2#605 WK 1/4-Str.	3-5/32	5:30	X		R/MF			X	X	1.2	3100	X	
<b>121S77</b>																	
2063-F1	796468	25 mm	3/8-24	2#605 WK 1/4-Str.	3-5/32	5:30	X		R/MF			X	X	1.2	3100	X	3

\*All power levels are stated gross torque at 2600 RPM per SAE J1940 as rated by Briggs & Stratton.

(3) Engine equipped with 12 volt Gear Drive Starter and .5 Amp DC Alternator