



# 35kW<sup>1</sup> STANDBY GENERATOR



## BRIGGS & STRATTON® THE SMART CHOICE

Durable backup power for businesses and luxury homes. Help eliminate losses from power outages with a Briggs & Stratton® Commercial Standby Generator.



### Corrosion Resistant Aluminum Enclosure

- Durable enclosures are built to last, protecting against extreme weather conditions and corrosion

### Easy to Service

- Convenient internal swing open doors allow you to easily access the engine; no more taking apart the bolted finger guards, saving you precious time and the hassle of disassembly

### Quality Clean Power

- Ensures your electronics are safely powered

### Durable Industrial Engine

- Found in industrial applications, the premium industrial 1,800 RPM engine provides strong, reliable power without giving up quiet operation or durability

### Custom Built Options

- A complete line of standby generators for commercial applications with multiple voltage configurations and controller options

### NFPA 110 Capable

- Suitable for NFPA 110 applications when installed with required NFPA 110 accessories and installation methods



## GENERATOR SET RATINGS

MODEL	VOLTAGE	POWER FACTOR	PHASE	HZ	BREAKER	LIQUID PROPANE		NATURAL GAS		CONTROLLER
						LP KW <sup>1</sup>	LP AMPS	NG KW <sup>1</sup>	NG AMPS	
Briggs & Stratton 076330	120/240	1	1	60	175	35	146	32	133	Briggs & Stratton
Briggs & Stratton 076131	120/208	0.8	3	60	150	35	121	32	111	InteliNano
Briggs & Stratton 076133	120/240	0.8	3	60	125	35	105	32	96	InteliNano
Briggs & Stratton 076135	277/480	0.8	3	60	60	35	53	32	48	InteliNano
Briggs & Stratton 076331	120/208	0.8	3	60	150	35	121	32	111	InteliLite
Briggs & Stratton 076333	120/240	0.8	3	60	125	35	105	32	96	InteliLite
Briggs & Stratton 076335	277/480	0.8	3	60	60	35	53	32	48	InteliLite

<sup>1</sup> This generator is rated in accordance with UL (Underwriters Laboratories) 2200 (stationary engine generator assemblies) and CSA (Canadian Standards Association) standard C22.2 No. 100-14 (motors and generators).

<sup>2</sup> Warranty details available at [www.briggsandstratton.com](http://www.briggsandstratton.com)



**ENGINE SPECIFICATIONS**

ENGINE	
<b>Engine Model</b>	4.3L Industrial Powertrain
<b>Engine Type</b>	6 Cylinder, 4-Cycle
<b>Engine Speed (RPM)</b>	1800
<b>Engine Fuel</b>	Liquid Propane Vapor (LPV) or Natural Gas (NG)
<b>Induction System</b>	Naturally Aspirated
<b>Air Filter Type</b>	Dry
<b>Displacement (ltr / cc)</b>	4.3 / 4294
<b>Freq Reg NL to FL</b>	Isochronous
<b>Block Heater</b>	Included
<b>Governor Type</b>	Electronic
<b>Frequency Regulation</b>	+ / -.5%
<b>Starter Motor Rated Voltage</b>	12 Volt
<b>Battery (volts dc / cca)</b>	12 Volt / 775
ENGINE OUTPUT DERATINGS - STANDBY	
<b>Rated Temp</b>	104°F / 40°C
<b>Rated Altitude</b>	Sea Level
<b>Max Altitude</b>	15,000 ft
<b>Temperature Derate</b>	1% for each 10°F (5.6°C) above rated temp
<b>Altitude Derate</b>	3% / 1000 ft

LUBRICATION	
<b>Oil Capacity (qts / ltrs)</b>	4.5 / 4.3
<b>Oil Capacity with Filter (qts / ltr)</b>	5.0 / 4.7
<b>Oil Filter (quantity / type)</b>	1 / Spin-on
<b>Lubrication System</b>	Full Pressure
<b>Recommended Oil</b>	API GF-4 10W30

ALTERNATOR SPECS	
<b>Type</b>	4-Pole, Rotating Field
<b>Voltage Regulator</b>	Solid State, Volts / Hz
<b>Insulation (rating)</b>	Class H
<b>Designed Temperature Rise Limit</b>	125°C
<b>Bearing (quantity / type)</b>	1 / Sealed
<b>Voltage Reg NL to FL</b>	+ / -1.0%
<b>Frequency Compensation</b>	8V / Hz Voltage Drop Below 55 Hz

ENGINE FUEL SYSTEM SPECIFICATIONS	
<b>Recommended Fuel</b>	
<b>LP min LHV (btu / ft<sup>3</sup>)</b>	2260
<b>NG min LHV (btu / ft<sup>3</sup>)</b>	890
<b>Fuel Supply Pressure (in-H<sub>2</sub>O)</b>	7-11 (at full load)
<b>Fuel Supply Line at Engine (npt)</b>	1"

**OPERATIONS**

	FUEL CONSUMPTION <sup>3</sup>			
	50% Load		100% Load	
<b>Liquid Propane</b>	102 ft <sup>3</sup> / hr	2.8 gal / hr	160 ft <sup>3</sup> / hr	4.4 gal / hr
<b>Natural Gas</b>	253 ft <sup>3</sup> / hr	253,000 btu / hr	394 ft <sup>3</sup> / hr	394,000 btu / hr

SOUND RATING AT 7 METERS PER ISO 3744
67 dBA

Lowest measurement of 12 microphones around generator. Sound level measurement at other locations around generator may be different depending upon installation configuration.

<sup>1</sup> This generator is rated in accordance with UL (Underwriters Laboratories) 2200 (stationary engine generator assemblies) and CSA (Canadian Standards Association) standard C22.2 No. 100-14 (motors and generators).

<sup>3</sup> Fuel consumption rates are estimated based on normal operating conditions. Generator operation may be greatly affected by elevation and the cycling operation of multiple electrical appliances – fuel flow rates may vary depending on these factors.



ADDITIONAL INFORMATION

OTHER FEATURES

Enclosure Material Corrosion-Resistant Aluminum

WEIGHT AND DIMENSIONS

Assembled Weight (lbs / kg) 1540 / 700

Overall Dimensions (in) 91 x 39.4 x 41

Packaged Weight (lbs) 1940 / 880

Packaged Dimensions (in) 104 x 51 x 48

BATTERY CHARGERS FOR INTELINANO/INTELILITE

Standard 6279

NFPA 110 6339

CERTIFICATION

CARB Compliant Yes

UL Listed to 2200 Yes

cUL Listed to CSA 22.2 NO 100-04 Yes

NEMA Compliant Yes

EPA Certified Fuel System Yes

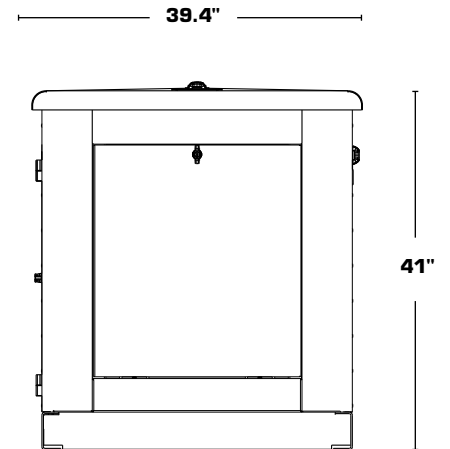
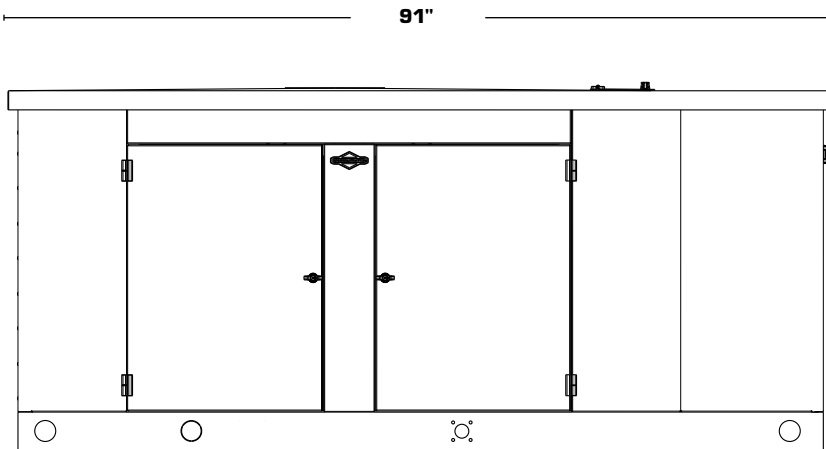
AVAILABLE ACCESSORIES

Battery Warmer 6343

Basic Wireless Monitor 6229

InfoHub 6260

Remote Status Monitor 6144



<sup>1</sup> This generator is rated in accordance with UL (Underwriters Laboratories) 2200 (stationary engine generator assemblies) and CSA (Canadian Standards Association) standard C22.2 No. 100-14 (motors and generators).



STANDARD CONTROLLERS



**Briggs & Stratton® Standard AMF Controller for Single Phase**

- User-friendly control panel for troubleshooting
- Conveniently monitors diagnostic conditions, displays system fault codes and sets weekly exercise cycle
- Easy-to-read alpha-numeric scrolling display
- Single-phase generator application only
- UL recognized



**IntelNano (NT) Controller for 3-Phase**

- 3-phase generator application only
- Large graphical display
- 3-phase voltage sensing
- "Zero" power consumption mode
- Easy installation and user-friendly operation
- 10 event history log
- USB communication interface
- Six binary inputs, three analog inputs
- Two low-current and two high-current binary outputs
- UL recognized

OPTIONAL CONTROLLERS



**IntelLite (NT) Controller**

- 3-phase and single-phase generator applications
- 3-phase voltage sensing
- Current sensing
- Seven binary inputs, three analog inputs
- Seven binary outputs
- Additional input/output accessories available
- Various communication modules available
- Remote control and monitoring capabilities
- UL recognized



**IntelLite Accessories (sold separately)**

- Remote Annunciator, NFPA 110 Compliant (6334)
- Remote Display (6353)
- IL-NT GPRS (6354)
- IB-LITE (6355)
- IL-NT RS232-485 (6356)
- IL-NT S-USB (6357)

<sup>1</sup> This generator is rated in accordance with UL (Underwriters Laboratories) 2200 (stationary engine generator assemblies) and CSA (Canadian Standards Association) standard C22.2 No. 100-14 (motors and generators).



FUEL PIPE SIZE RECOMMENDATION CHART (CAPACITY IN THOUSANDS OF BTU/HOUR)

Natural Gas / Inlet Pressure less than 2 PSI / Pressure Drop 1/2" Water Column / Specific Gravity 0.60

	1/2" pipe capacity	3/4" pipe capacity	1" pipe capacity	1-1/4" pipe capacity	1-1/2" pipe capacity	2" pipe capacity
20' Length <sup>*</sup>	118	247	466	957	1,430	2,760
40' Length <sup>*</sup>	81	170	320	657	985	1,900
60' Length <sup>*</sup>	65	137	257	528	791	1,520
80' Length <sup>*</sup>	56	117	220	452	677	1,300
100' Length <sup>*</sup>	50	104	195	400	600	1,160

Liquid Propane / Inlet Pressure 11" Water Column / Pressure Drop 1/2" Water Column / Specific Gravity 1.50

	1/2" pipe capacity	3/4" pipe capacity	1" pipe capacity	1-1/4" pipe capacity	1-1/2" pipe capacity	2" pipe capacity
20' Length <sup>*</sup>	200	418	788	1,617	2,423	4,666
40' Length <sup>*</sup>	137	287	541	1,111	1,665	3,207
60' Length <sup>*</sup>	110	231	435	892	1,337	2,575
80' Length <sup>*</sup>	101	212	400	821	1,230	2,370
100' Length <sup>*</sup>	101	212	400	821	1,230	2,370

\*Total length of piping from outlet of regulator to appliance furthest away.

SUPPORT EVERY STEP OF THE WAY

NEED HELP? Just call 800-759-2744

Our technical support team is trained to answer questions on our generators, transfer switches and accessories.

CALL TODAY FOR A FREE IN-HOME ESTIMATE! 800-743-4115

<sup>1</sup> This generator is rated in accordance with UL (Underwriters Laboratories) 2200 (stationary engine generator assemblies) and CSA (Canadian Standards Association) standard C22.2 No. 100-14 (motors and generators).

**Disclaimer:** Not for Prime Power or use where standby systems are legally required, for serious life safety or health hazards, or where lack of power hampers rescue of fire-fighting operations.

**BRIGGS & STRATTON**

POST OFFICE BOX 702  
MILWAUKEE, WI 53201 USA

Copyright ©2016. All rights reserved. BS1007-L – 8/16