

## CONSTRUCTION

- Stainless steel shaft and fasteners, for reliability long term in tough sewage applications
- Heavy-duty upper and lower ball bearings for long life and quiet operation
- 2 in. NPT discharge capable of handling 2 in. solids
- Glass-reinforced impeller for long lasting reliability
- 10 ft. SJTW power cord is oil and water resistant, with neoprene grommet for superior seal
- For use in 18 in. diameter or larger sump basins

## BASIN

- 18 in. x 30 in. polystructural foam basin / lid with anti flotation device
- 2 in. side discharge and electrical connection
- Full flow 2 in. check valve installed in basin
- 4 in. snap-in hub with pipe clamp

## SWITCH

- Piggy-back tether float switch for automatic or manual operation
- ON @ 13 in. / OFF @ 8 in.

## SEALS

- Carbon / ceramic shaft seal for maximum life

## MOTOR

- PSC oil-filled motor, thermally protected motor prevents overheating

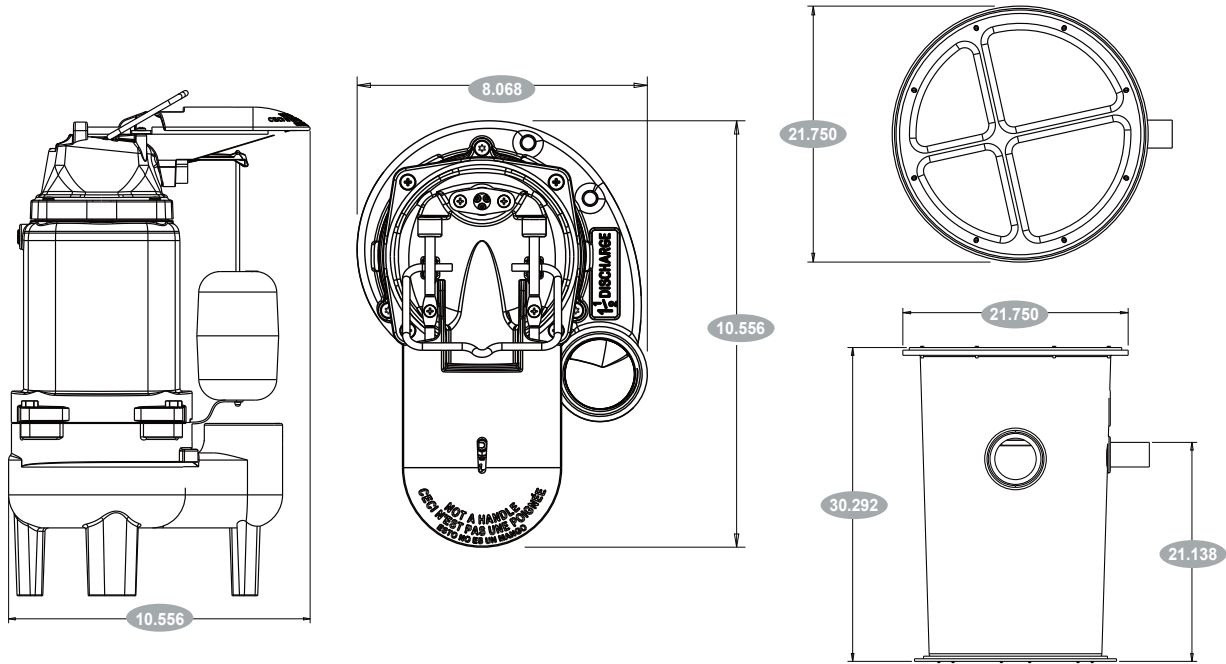


# 1/2 HP CAST IRON SUMP PUMP PACKAGED OUTDOOR SEWAGE SYSTEM

105 GPM @ 10 FT.

**1/2 HP**

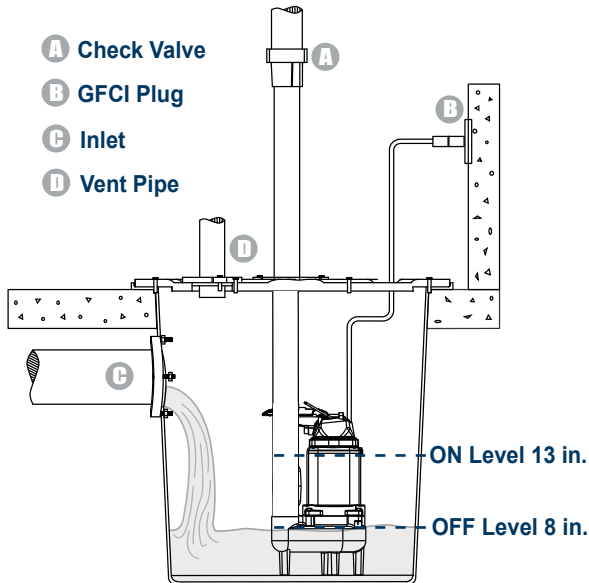
# DIMENSIONAL DATA (INCHES)



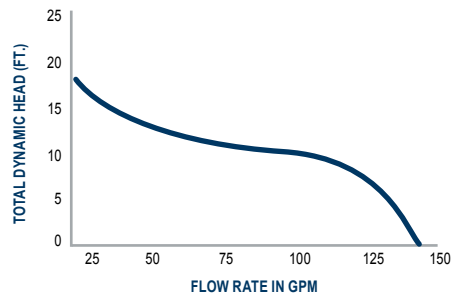
## PUMP SNAPSHOT

|          |                |                | Dimensions (in.) |             |        |        |       |           |            |
|----------|----------------|----------------|------------------|-------------|--------|--------|-------|-----------|------------|
| HP       | Construction   | Switch Type    | Length           | Width       | Height | Weight | Volts | Footprint | Power Cord |
| 1/2      | Cast Iron      | Vertical Float | 10.556           | 8.068       | 17.104 | 68 lbs | 120   | 18 in.    | 10 ft.     |
| Impeller | Intake         | Discharge      | Submersible      | UPC 0-40066 |        |        |       |           |            |
| Vortex   | Bottom Suction | 2 in. NPT      | Yes              | 216359      |        |        |       |           |            |

## TYPICAL INSTALLATION



## F50SWSS PERFORMANCE



| Discharge Head | 5 ft. | 10 ft. | 15 ft. | 20 ft. |
|----------------|-------|--------|--------|--------|
| GPM            | 128   | 105    | 32     | 0      |