

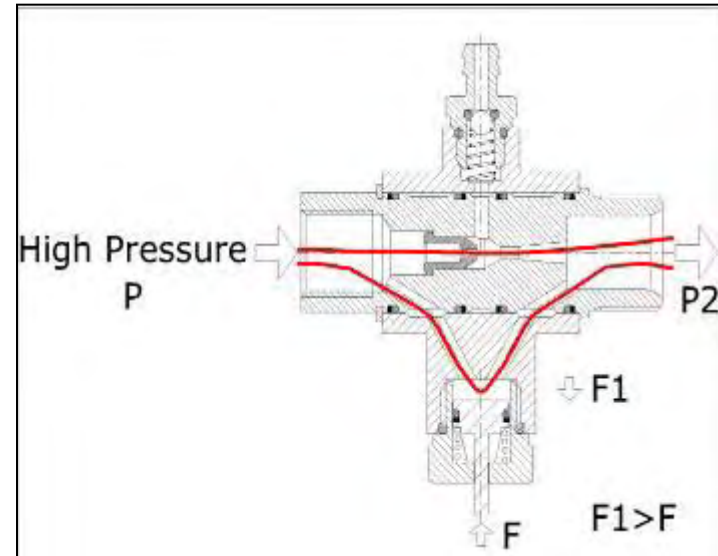
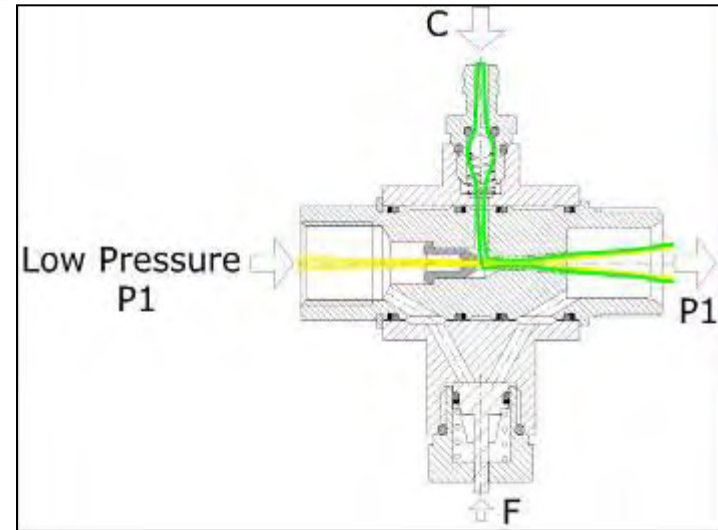
# FNA PowerBOOST®™ Technology

- New PowerBoost ®™ Technology Makes Units Strongest Impact Pressure at the Nozzle in the market.
- This Allows for Greater Cleaning Results, Reduction of Cleaning Time, and most importantly greater WalMart Customer Satisfaction
- Strongest Electric Pump in Market for Consumer Electric Pressure Washers



# FNA PowerBOOST®™ Technology

- FNA PowerBOOST® innovation allows for the by-pass of the chemical injection nozzle circuit when chemical injection is not activated.
- Chemical injection is activated when using a low pressure nozzle. The low pressure water stream (yellow) crosses the chemical nozzle circuit that intakes the chemical (green).
- When using a high pressure nozzle setting, the high pressure water stream (red) will automatically by-pass the chemical nozzle. Cleaning power will be maximized because the PowerBOOST® innovation prevents the pressure and flow loss traditionally caused by the chemical nozzle circuit.
- FNA PowerBOOST® Pump is Patent Pending



## **FNA PowerBOOST®™ Means More Power**

**A typical axial pump loses between 150-200 PSI due to its chemical suction feature. The FNA PowerBOOST™ pump bypasses the chemical suction feature allowing ratings never seen before in the market!**

**This Revolutionary Pump Technology affords the capability to increase the cleaning units up to 14% using the same engine Torque and Horsepower configurations.**



**Heavy Duty Universal Motor**  
**with Total Stop**

*Automatic shut off when trigger is released  
Increases Life of the Motor / Pump*

**New Dual: Power Cord & Hose Storage Wheel in rear of unit**

*Neat Storage Caddy to keep all in one!*

**Click-N-Clean®™ 4n1 Vario Nozzle System**

*0,25, Turbo Nozzle, Soap Nozzle*

**Additional Flexi - Lance Included**

*Helps Clean Gutters, Eaves, Undercarriages, Tops of Cars and more.*

**25' Gun & Hose Assembly**

*Non-Marking Hose Detaches Quickly!*

**On-Board Detergent Tank**



**1 year warranty supported by FNA Group**

**Lance & Gun Storage**

**35' Power Cord**

*GFCI Protection*

**New LED Indicator On-Off Switch**

*Helps Consumer understand unit is on and working properly.*

**Large Wheels**  
*For Ease of Mobility*

**Aluminum High Pressure Pump**

*Durable Construction  
Garden Hose Connection*



- **Additional Key Features:**
  - Never seen before in market
  - Patented PowerBoost®™ Technology Included
  - Click-N-Clean®™ 4n1 Vario Nozzle System
    - 0, 25, Turbo Nozzle, Soap Nozzle: Nozzle System
  - Additional Value: Flexi – Lance Included
    - Perfect for Gutters, Eaves, Undercarriages of Cars, Tops of Cars, etc...
  - Dual Power Cord & High Pressure Hose Storage Wheel in rear of unit
  - 25ft of High Pressure Washer Hose
  - New LED Indicator On-Off Switch
  - Aluminum Garden Hose Connector
  - 35ft Power Cord with GFCI Protection
  - Aluminum High Pressure Washer Pump
  - On-Board Detergent Tank
  - On-Board Storage for Gun and Lances
  - FNA World Class Product Support & Limited 1 Year Warranty

