

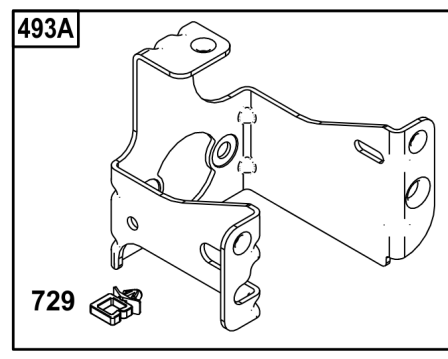
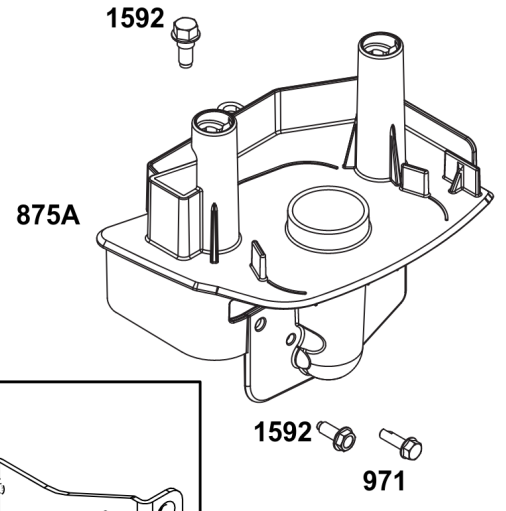
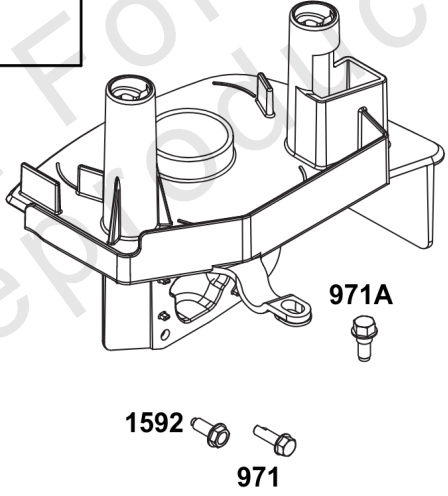
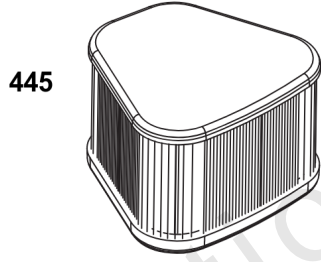
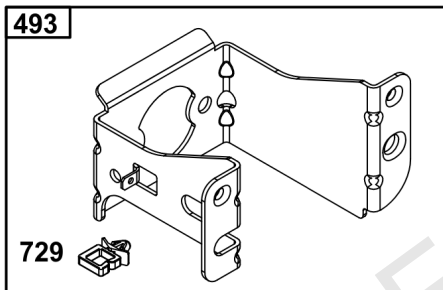
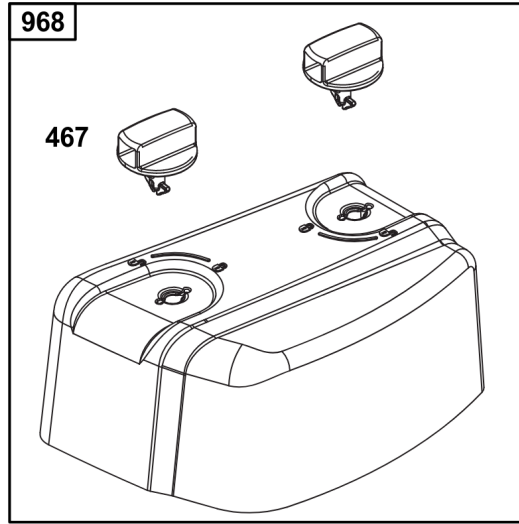


Parts Manual

Mfg. No: 123P02-0018-F1

Model Components	Page
Air Cleaner Group.....	4
Blower Housing.....	6
Carburetor Group.....	8
Controls Group.....	10
Crankshaft Group.....	12
Cylinder Group.....	14
Cylinder Head Group.....	16
Exhaust Group.....	18
Flywheel, Ignition, and Starter Group.....	20
Fuel Supply Group.....	22
Sump and Lubrication Group.....	24

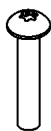
Not For
Reproduction



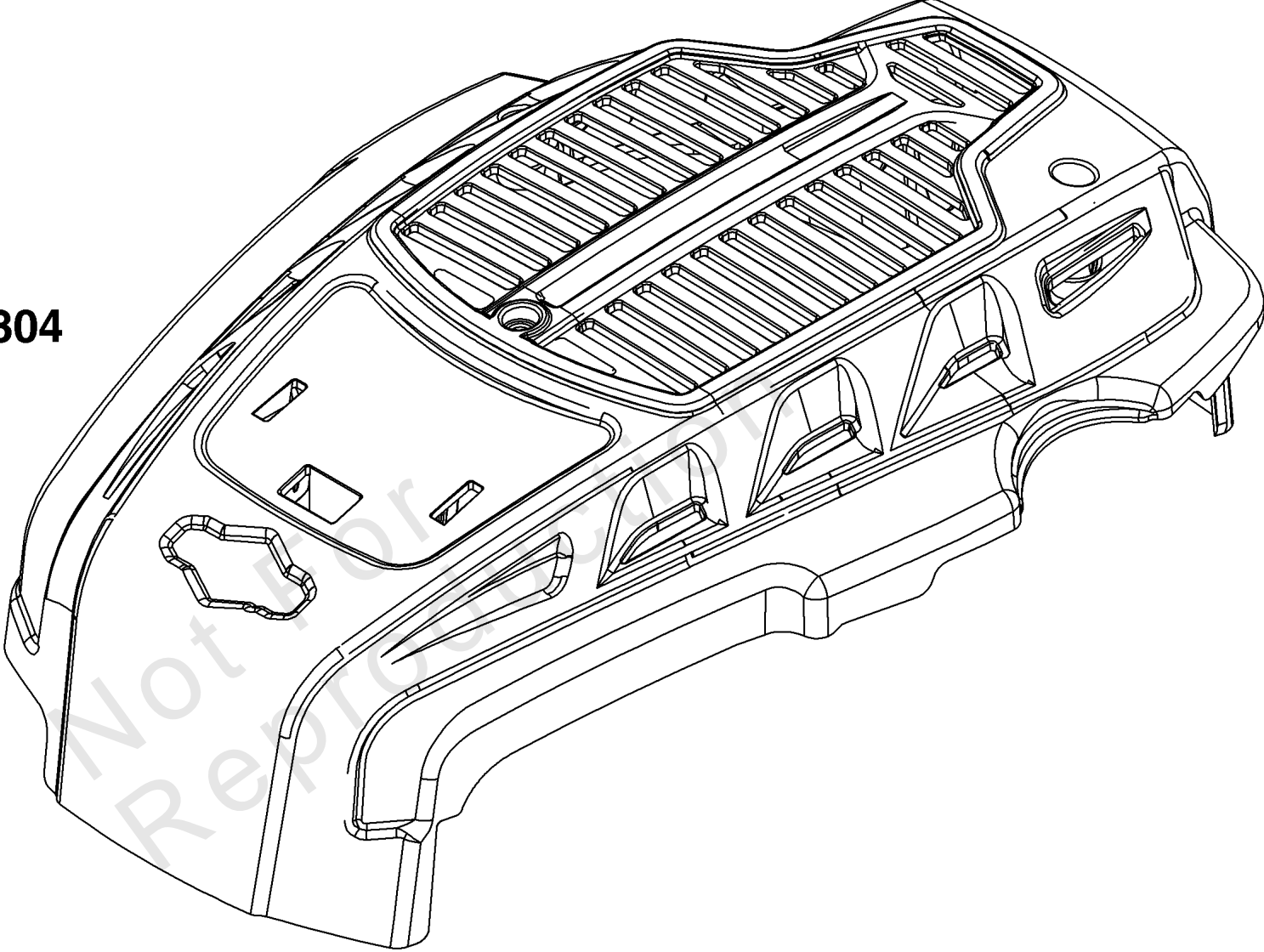
Air Cleaner Group

REF NO	PART NO	QTY	DESCRIPTION
11	597409	1	TUBE, Breather
445	597265	1	FILTER, A/C Cartridge
467	597244	2	KNOB, Air Cleaner Cover
493	JUMPTO493	1	BRACKET, Mounting -(Part information located in Carburetor Group.)
493A	JUMPTO493	1	BRACKET, Mounting -(Part information located in Carburetor Group.)
729	-----	1	CLIP, Wire -(Part information located in Carburetor Group.)
875	597446	1	BASE, Air Cleaner -Used Before Code Date 20072700
875A	84006041	1	BASE, Air Cleaner -Used After Code Date 20072600
968	597401	1	COVER, Air Cleaner
971	590552	2	SCREW -(Air Cleaner Base to Carburetor/Throttle Body)
971A	597410	1	SCREW -Used Before Code Date 20072700
1592	793480	2	SCREW -(Air Cleaner Base to Mounting Bracket) -Used Before Code Date 20072700
1592	793480	3	SCREW -(Air Cleaner Base to Mounting Bracket) -Used After Code Date 20072600

1036 

305 

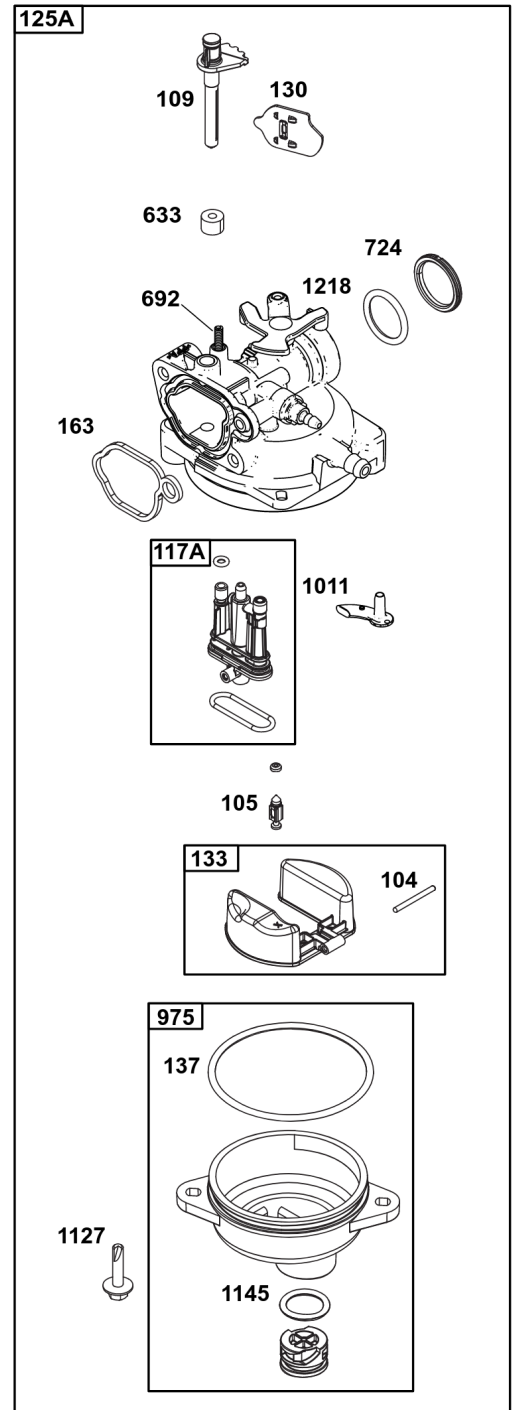
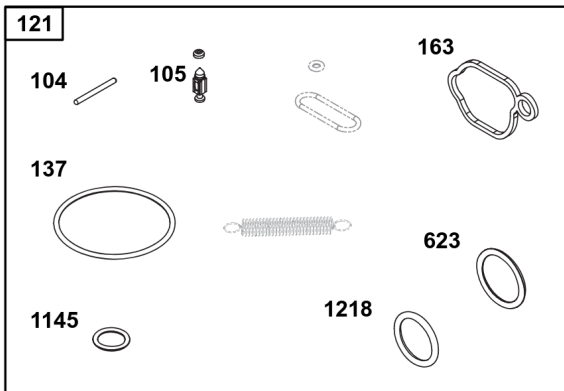
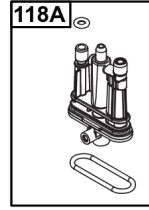
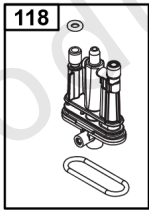
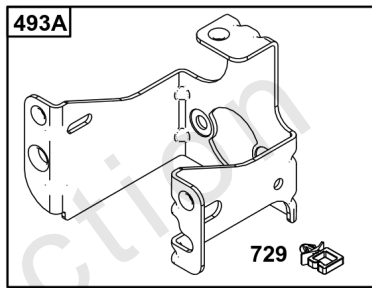
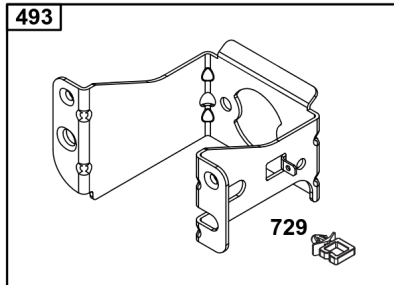
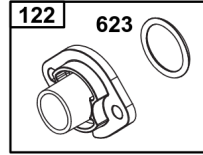
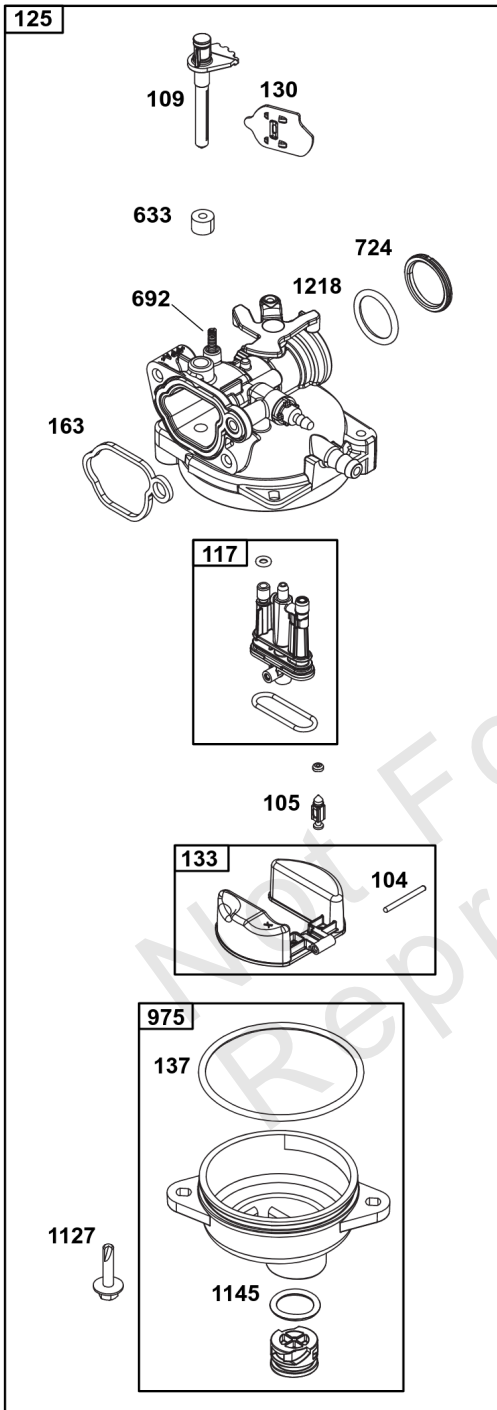
304



Blower Housing

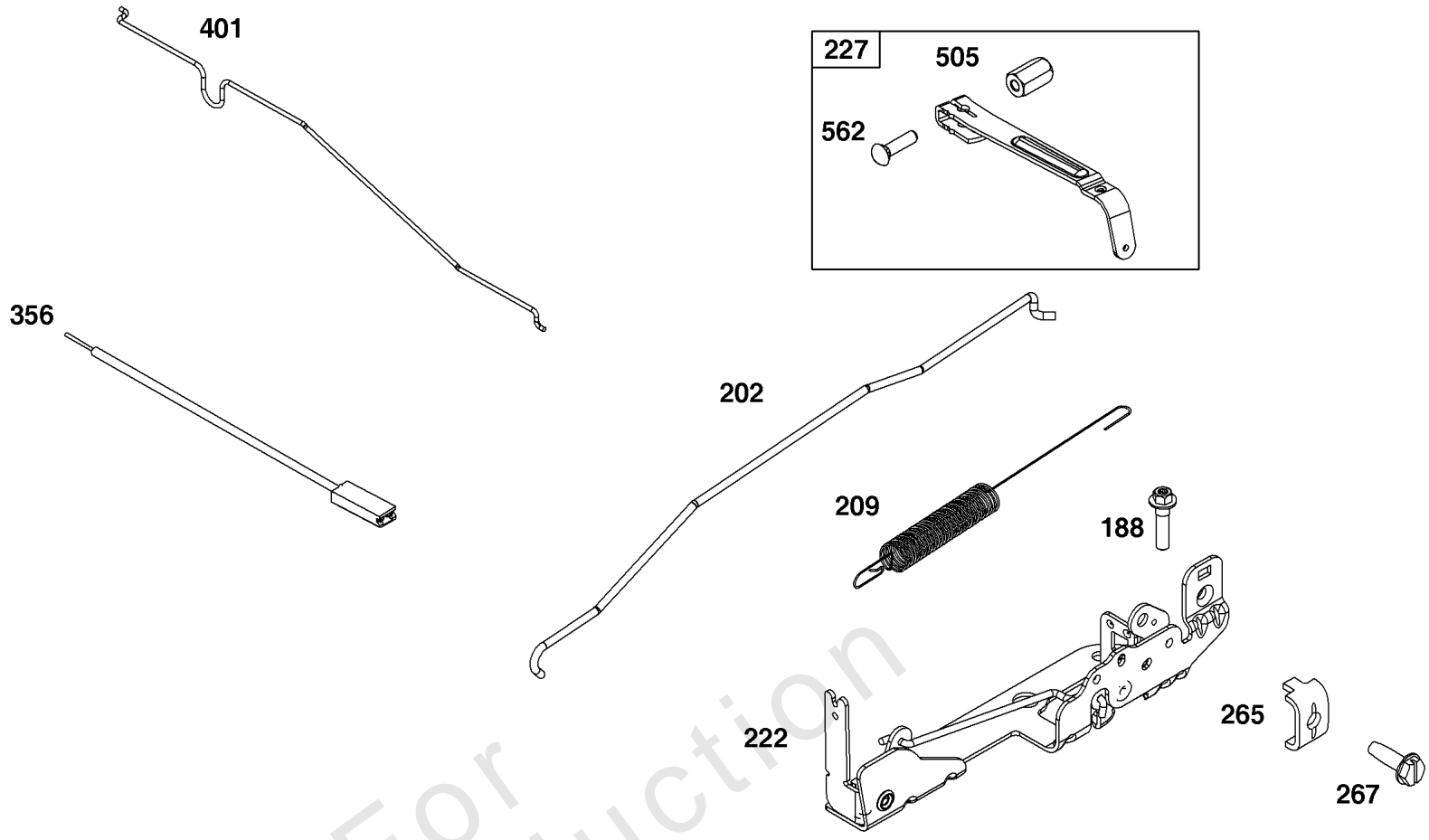
REF NO	PART NO	QTY	DESCRIPTION
304	597411	1	HOUSING, Blower
305	594115	3	SCREW -(Blower Housing)
1036	-----	1	LABEL, Emissions -(Available from a Briggs & Stratton Authorized Dealer)

Not For Reproduction



Carburetor Group

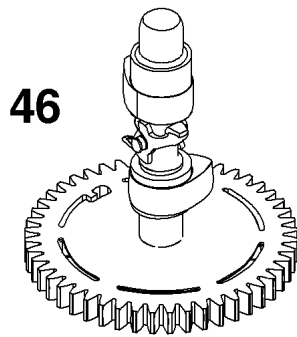
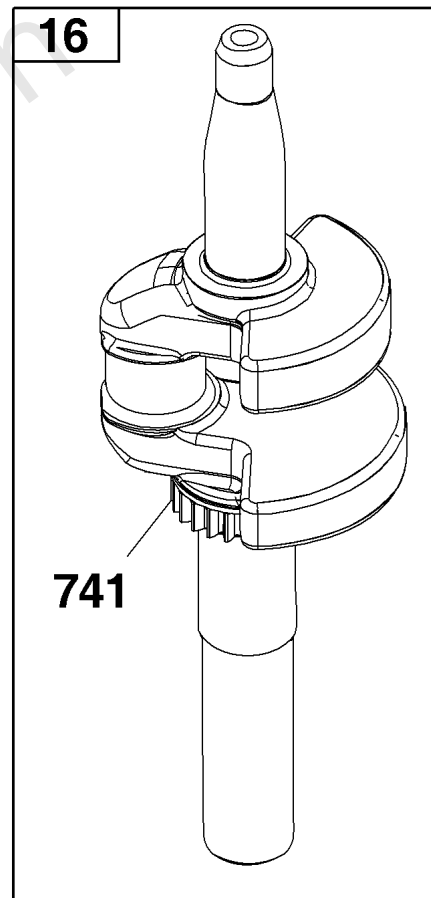
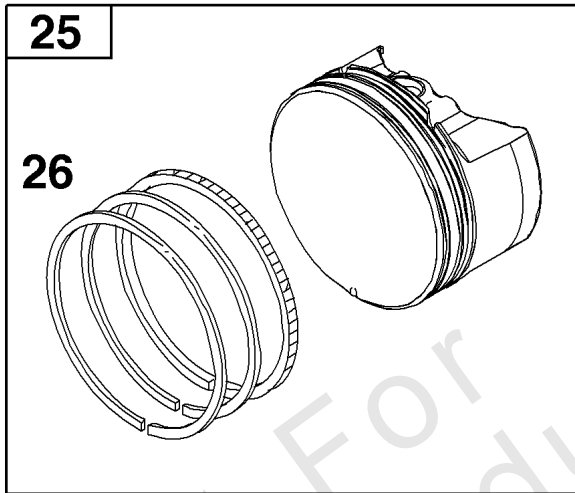
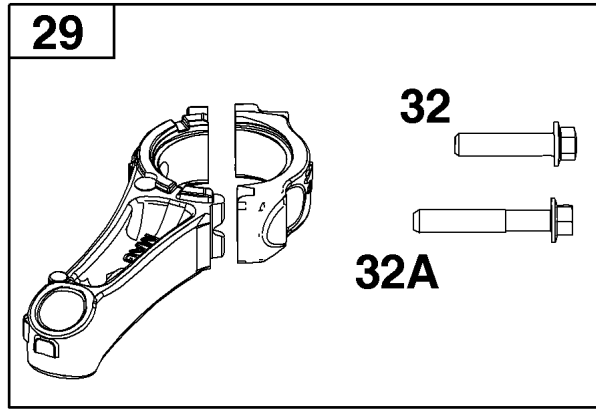
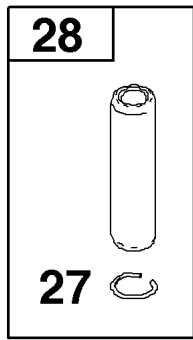
REF NO	PART NO	QTY	DESCRIPTION
104	590558	1	PIN, Float Hinge
105	594581	1	VALVE, Float Needle
109	597117	1	SHAFT, Choke
117	597270	1	JET, Main -(Standard) (-Used Before Code Date 21112400)
117A	84007560	1	JET, Main -(Standard) (-Used After Code Date 21112300)
118	84007729	1	JET, Main -(High Altitude) (-Used Before Code Date 21112400)
118A	84007562	1	JET, Main -(High Altitude) (-Used After Code Date 21112300)
121	594636	1	KIT, Carburetor Overhaul -(Service Kits may include extra parts not specific to this engine.)
122	590549	1	SPACER, Carburetor
125	597097	1	CARBURETOR -(-Used Before Code Date 21112400)
125A	84007567	1	CARBURETOR -(-Used After Code Date 21112300)
130	597444	1	VALVE, Choke
133	591120	1	FLOAT, Carburetor
137	594633	1	GASKET, Float Bowl
163	799580	1	GASKET, Air Cleaner -(Air Cleaner)
493	593330	1	BRACKET, Mounting -Used Before Code Date 20072700
493A	84006039	1	BRACKET, Mounting -Used After Code Date 20072600
623	799581	1	SEAL, O-Ring
633	84002188	1	SEAL, CHOKE/THROTTLE SHAFT
692	590931	1	SPRING, Detent
724	697478	1	RETAINER, Seal
729	594752	1	CLIP, Wire
951	597442	1	LEVER, Choke
975	594632	1	BOWL, Float
1011	84006438	1	TUBE, VENT
1127	590554	2	SCREW -(Float Bowl to Carburetor Body)
1145	597314	1	SEAL, O-Ring
1218	270344S	1	SEAL, O-Ring -(Carburetor)
1238	590562	2	SCREW -(Carburetor Spacer)



Controls Group

REF NO	PART NO	QTY	DESCRIPTION
188	793480	2	SCREW -(Control Bracket)
202	597337	1	LINK, Mechanical Governor
209	597439	1	SPRING, Governor
222	597273	1	BRACKET, Control
227	597336	1	LEVER, Governor Control
265	691024	1	CLAMP, Casing
267	692577	1	SCREW -(Casing Clamp)
356	692390	1	WIRE, Stop
401	597323	1	LINK, Choke
505	597312	1	NUT -(Governor Control Lever)
562	793514	1	BOLT -(Governor Lever)

Not For Reproduction



Crankshaft Group

REF NO	PART NO	QTY	DESCRIPTION
16	597441	1	CRANKSHAFT
24	222698S	1	KEY, Flywheel
25	591284	1	PISTON ASSEMBLY
25	591285	1	PISTON ASSEMBLY -(.020" Oversize)
26	591286	1	SET, Ring
26	591287	1	SET, Ring -(.020" Oversize)
27	691588	1	LOCK, Piston Pin
28	298909	1	PIN, Piston
29	796470	1	ROD, Connecting
32	691664	1	SCREW -(Connecting Rod)(Short)
32A	695759	1	SCREW -(Connecting Rod)(Long)
46	694039	1	CAMSHAFT
598	592587	1	SHIM, End Play
741	797521	1	GEAR, Timing

Not For Reproduction



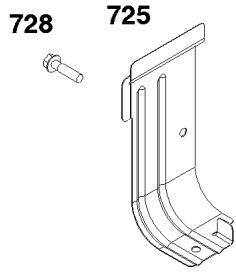
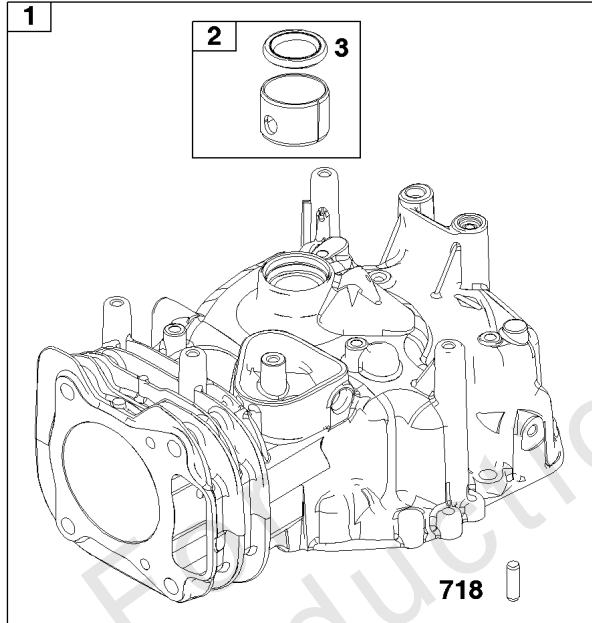
615

404

616

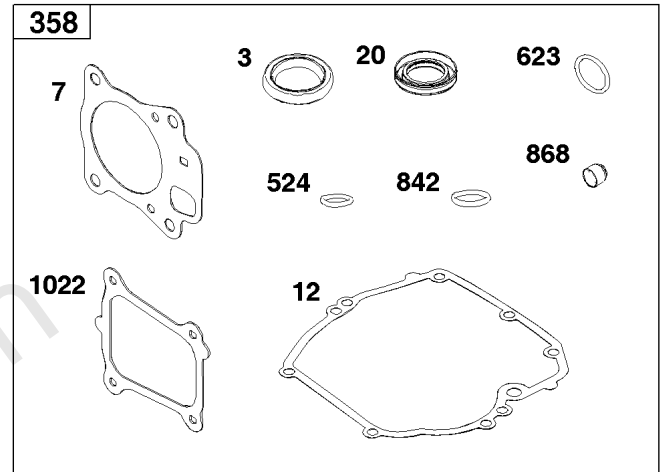
1264

1263



728

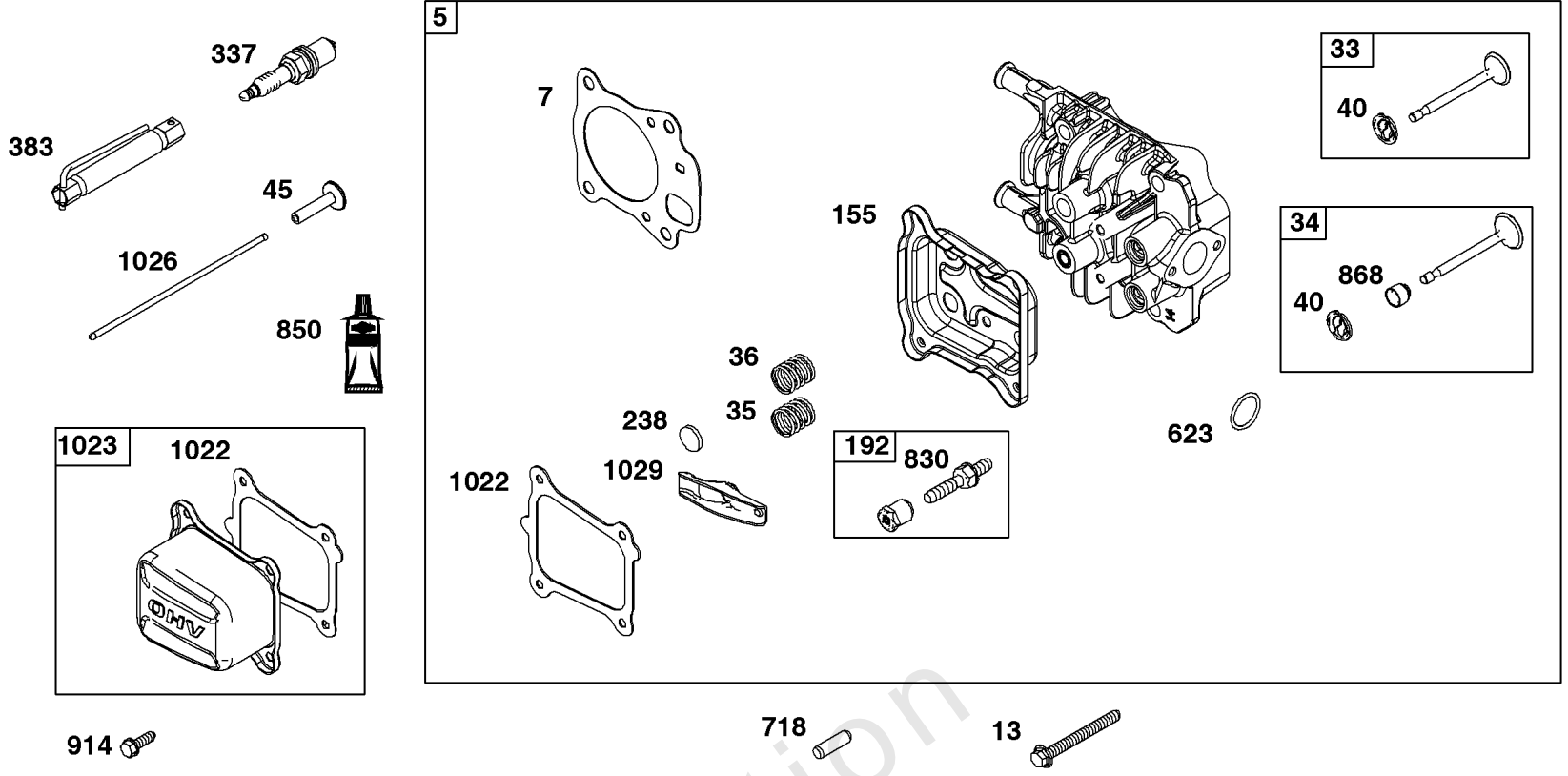
718



Not
Reproduction

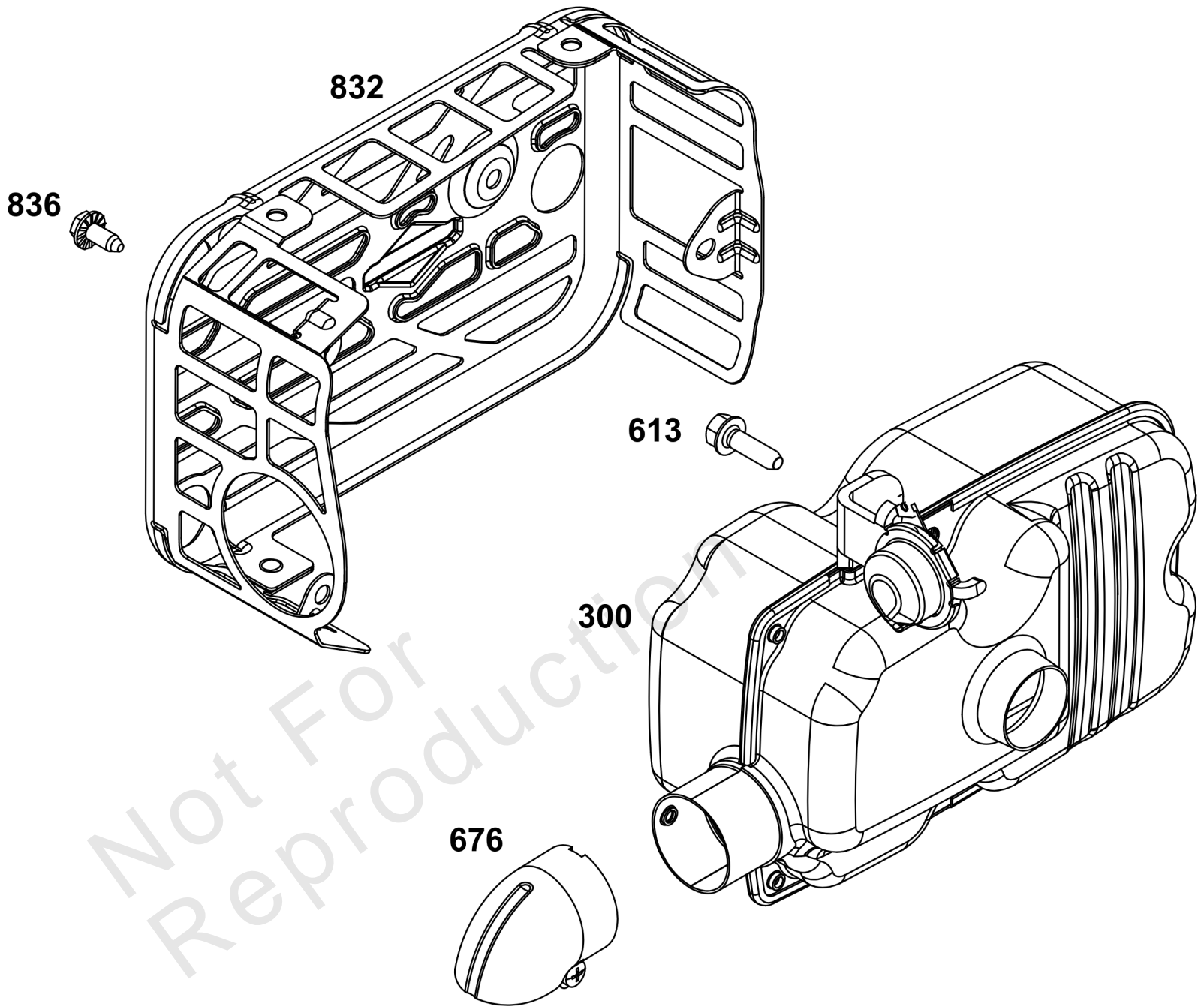
Cylinder Group

REF NO	PART NO	QTY	DESCRIPTION
1	84002337	1	CYLINDER ASSEMBLY
2	796961	1	KIT, Bushing/Seal -(Magneto Side)
3	299819S	1	SEAL, Oil -(Magneto Side)
7	796475	1	GASKET, Cylinder Head
12	692232	1	GASKET, Crankcase
20	-----	1	SEAL, Oil -(Part information located in Crankcase Cover/Sump and Lubrication Group.)
358	597320	1	GASKET SET, Engine -(Service Kits may include extra parts not specific to this engine.)
404	690272	1	WASHER -(Governor Crank)
524	-----	1	SEAL, O-Ring -(Part information located in Crankcase Cover/Sump and Lubrication Group.)
615	690340	1	RETAINER, Governor Shaft
616	798327	1	CRANK, Governor
623	-----	1	SEAL, O-Ring -(Part information located in Carburetor Group.)
718	690959	2	PIN, Locating
725	597313	1	SHIELD, Heat
728	793480	2	SCREW -(Heat Shield)
842	-----	1	SEAL, O-Ring -(Part information located in Crankcase Cover/Sump and Lubrication Group.)
868	-----	1	SEAL, Valve -(Part information located in Cylinder Head Group.)
1022	-----	1	GASKET, Rocker Cover -(Part information located in Cylinder Head Group.)
1263	697124	1	REED, Breather
1264	793453	1	SCREW -(Breather Reed)
1319	794467	1	LABEL, Warning



Cylinder Head Group

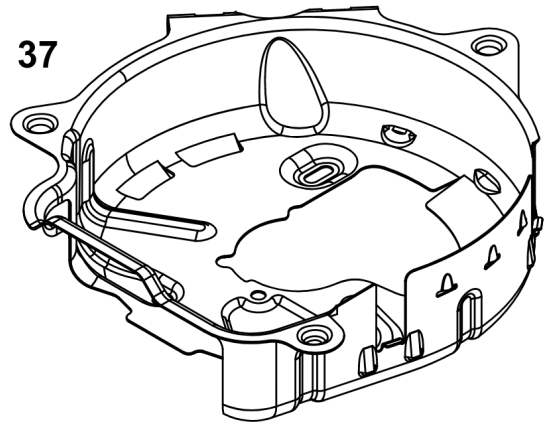
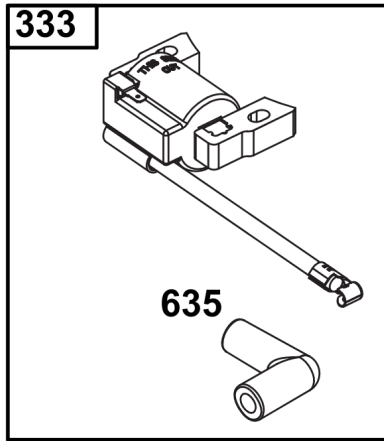
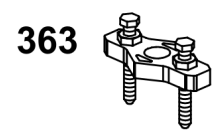
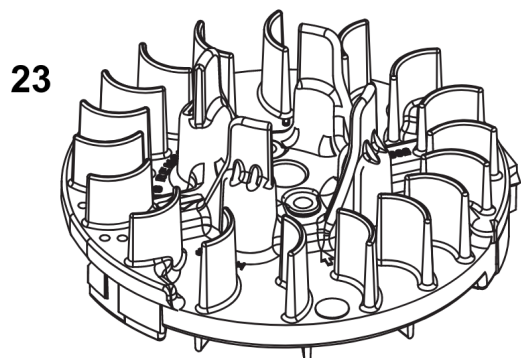
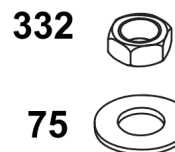
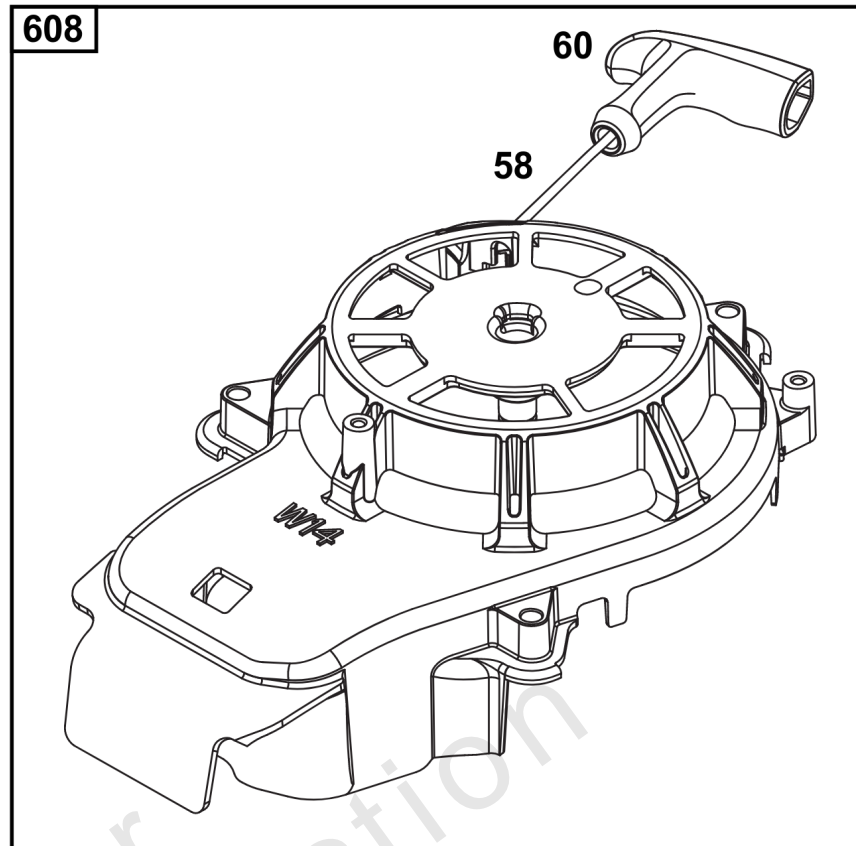
REF NO	PART NO	QTY	DESCRIPTION
5	597267	1	HEAD, Cylinder
7	796475	1	GASKET, Cylinder Head
13	799277	4	SCREW -(Cylinder Head)
33	499642	1	VALVE, Exhaust
34	795443	1	VALVE, Intake
35	597303	1	SPRING, Valve -(Intake)
36	597303	1	SPRING, Valve -(Exhaust)
40	692194	2	RETAINER, Valve
45	690977	2	TAPPET, Valve
155	597311	1	PLATE, Cylinder Head
192	84007234	2	ADJUSTER, Rocker Arm
238	691300	2	CAP, Valve
337	692051	1	PLUG, Spark
383	19576S	1	WRENCH, Spark Plug
623	-----	1	SEAL, O-Ring -(Part information located in Carburetor Group.)
718	690959	2	PIN, Locating
830	597315	2	STUD, Rocker Arm
850	100106	1	SEALANT, Liquid
868	597316	1	SEAL, Valve
914	591103	4	SCREW -(Rocker Cover)
1022	597318	1	GASKET, Rocker Cover
1023	597280	1	COVER, Rocker
1026	796481	2	ROD, Push
1029	691230	2	ARM, Rocker



Exhaust Group

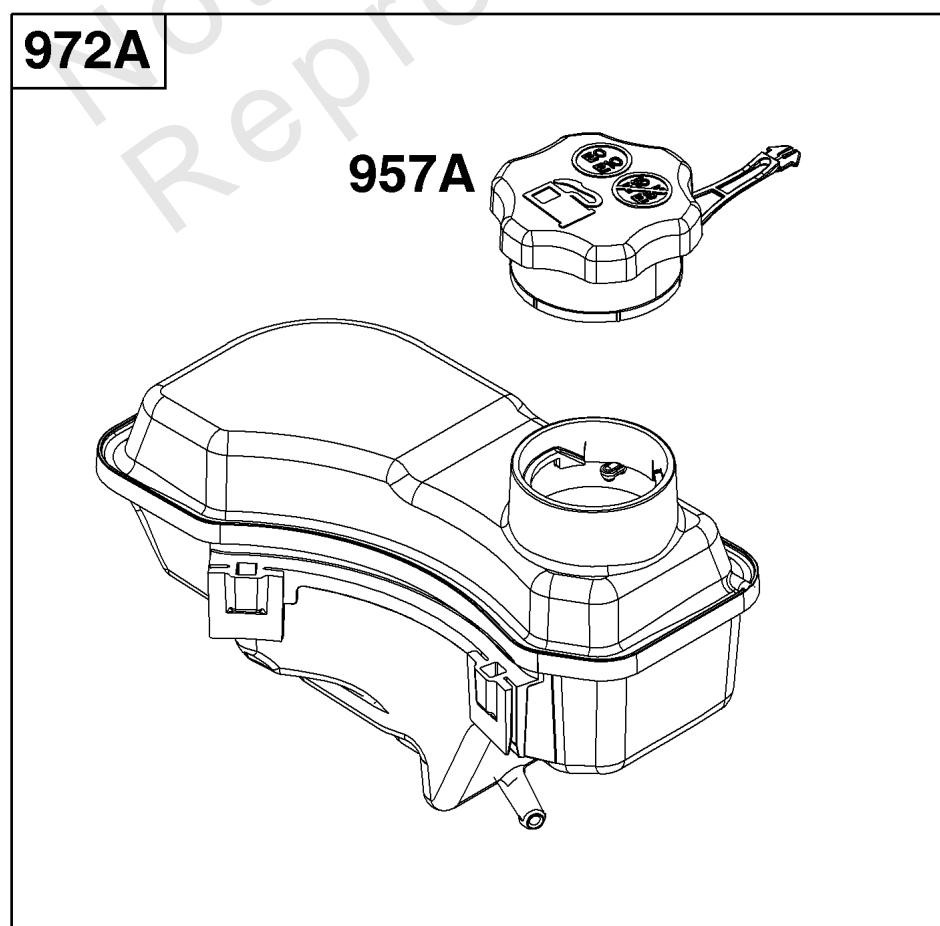
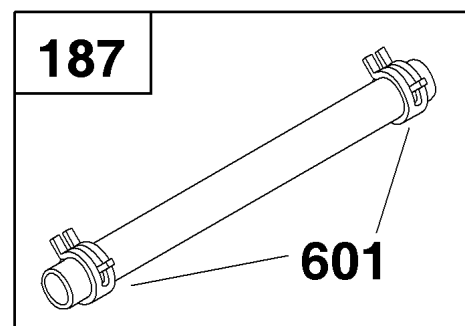
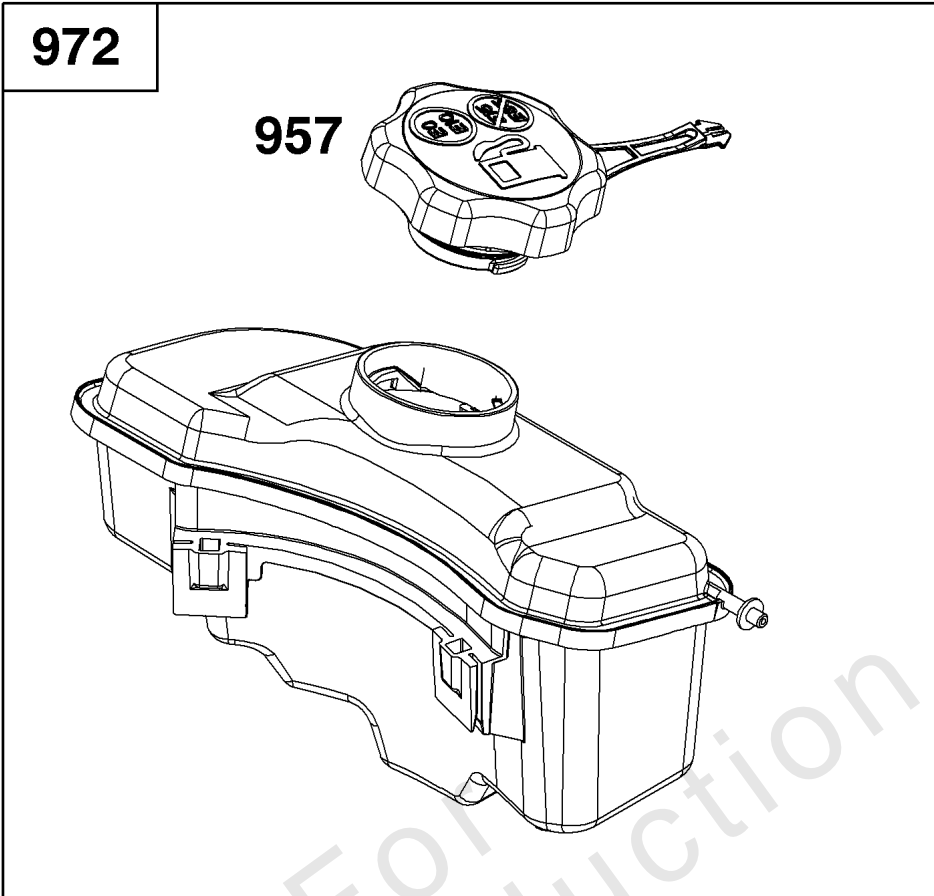
REF NO	PART NO	QTY	DESCRIPTION
300	597288	1	MUFFLER -(With Thermostat)
613	590562	2	SCREW
676	594563	1	DEFLECTOR, Muffler
832	597405	1	GUARD, Muffler
836	690661	4	SCREW -(Muffler Guard)

Not For Reproduction



Flywheel, Ignition, and Starter Group

REF NO	PART NO	QTY	DESCRIPTION
23	597504	1	FLYWHEEL
37	595290	1	GUARD, Flywheel -(Without Brake Cut Out)
58	591108	1	ROPE, Starter
60	281434S	1	GRIP, Starter Rope
65	590586	3	SCREW -(Rewind Starter)
75	691736	1	WASHER -(Flywheel)
78	793480	2	SCREW -(Flywheel Guard)
332	690662	1	NUT -(Flywheel)
333	595554	1	ARMATURE, Magneto
334	793454	2	SCREW -(Magneto Armature)
363	19203	1	PULLER, Flywheel
608	597268	1	STARTER, Rewind
635	692076	1	BOOT, Spark Plug



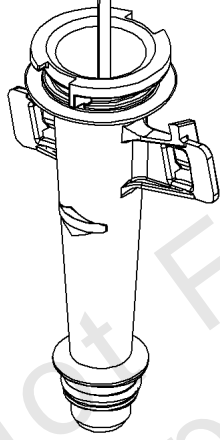
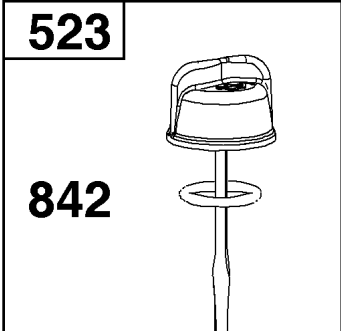
Fuel Supply Group

REF NO	PART NO	QTY	DESCRIPTION
187	791766	1	LINE, Fuel
601	791850	2	CLAMP, Hose
957	597414	1	CAP, Fuel Tank -Used Before Code Date 20010100
957A	84004416	1	CAP, Fuel Tank
972	594112	1	TANK, Fuel -Used Before Code Date 20010100
972A	84004115	1	TANK, FUEL -Used After Code Date 19123100

Not For Reproduction

718 

847



524 

4

12 

15 

20 

22 

43 

Sump and Lubrication Group

REF NO	PART NO	QTY	DESCRIPTION
4	493279	1	SUMP, Engine
12	692232	1	GASKET, Crankcase
15	691680	1	PLUG, Oil Drain
20	399781S	1	SEAL, Oil -(PTO Side)
22	691092	7	SCREW -(Crankcase Cover/Sump)
43	593913	1	SLINGER, Governor/Oil
523	796503	1	DIPSTICK -(Black)
524	691876	1	SEAL, O-Ring -(Dipstick Tube)
718	690959	2	PIN, Locating
842	691031	1	SEAL, O-Ring -(Dipstick Cap)
847	596092	1	DIPSTICK/TUBE ASSEMBLY

Not For Reproduction

