



Big League LAWNS

CheckMate™ Lawn and Athletic Field Striping Kits

1161 E. Clark Road, Suite #220



DeWitt, MI 48820



800.411.0150

www.bigleaguelawns.com



CheckMate™ Lawn Striping Kit For Honda HRX Installation Guide

Important

Big League Lawns, LLC warrants their products to be free of defects in material and workmanship. This warranty does not cover defects due directly or indirectly to misuse, abuse, normal wear and tear, failure to properly maintain the product or used for a purpose other than that for which it is intended. The duration of this warranty is expressly limited to one year parts and labor beginning from the date of delivery to the original customer.

The obligation of Big League Lawns, LLC is limited solely to the repair or replacement, at our option, at its factory or authorized repair agent of any part that should prove deficient. Purchaser must maintain the product under normal operating conditions at all times. Prior to operation, become familiar with the attachment and any disconnect features. This product is not intended to be used in a transport position or to be backed over curbs. When not in use, the product should be removed from the mower and transported in a safe manner. Failure to follow these instructions will void the warranty.



US Patent 6,962,039 B2, US Patent 6,993,894 B2

Mounting Instructions Honda HRX Series Mowers

Congratulations on your new purchase! You are just steps away from creating a beautifully patterned lawn using your new CheckMate™ lawn striping roller. To ensure a long life of both your mower and roller, please be sure to follow the mounting recommendations below.

Tools Required:

9/16" Wrench 5/8" Wrench 3/4" Wrench 	1/4" Allen Wrench 	3/8" Drill Bit 	14mm Socket 	Drill 	Needle Nose Pliers 
--	--	---	--	---	---

Before Installation Process

Safely prop up the backside of your mower and remove the bagger from the mower.

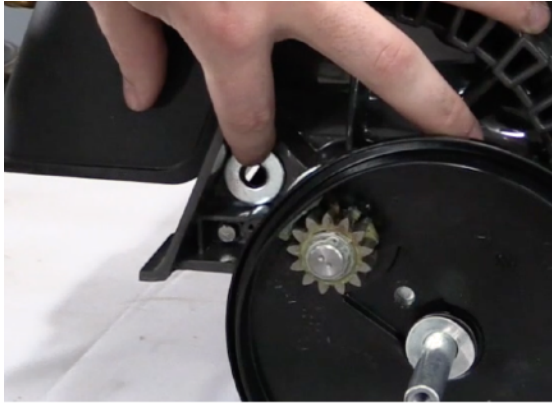
Step 1: Remove Tire

Using a 14mm socket, rotate tire retaining bolt counter clockwise and remove tire.



Step 2: Mark Drilling Location

Place the provided 3/8" washer against the back of the frame. The 3/8" washer should touch the back wall while resting on the debris pin. Mark the center of the hole.



Step 3: Drill Mounting Hole

Using a 3/8" drill bit, carefully drill your mounting hole. Note; very little pressure should be applied to the drill. Simply allow the bit to slowly drill the hole.



Step 4: Installing Mounting Arms

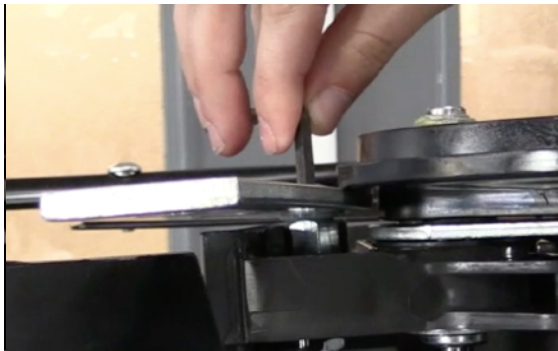
Install Mounting Arm

Align your mounting arm through the mounting hole. On the underside, thread the 3/8" nylon locknut onto the exposed threads of the mounting bolt.



Tighten

Using a 9/16" wrench and a 1/4" hex key, secure the mounting arm to the mower frame.



Tighten Cont.

Using a 9/16" wrench and a 5/8" wrench, secure the coupler nut to the frame while still allowing the mounting arm to pivot freely.



Step 5: Reinstall Wheel

Place the wheel back onto the axel; aligning gears. Once aligned, use a 14mm" socket to secure the tire to the axel.



Step 6: Repeat Steps 1-5 For Opposite Side of Mower

***TRANSMISSION SIDE**

Align 3/8" Locknut

Using a pair of needle nose pliers, align the 3/8" nylon locknut with the mounting hole. This will allow you to thread the mounting bolt easier in the next step.



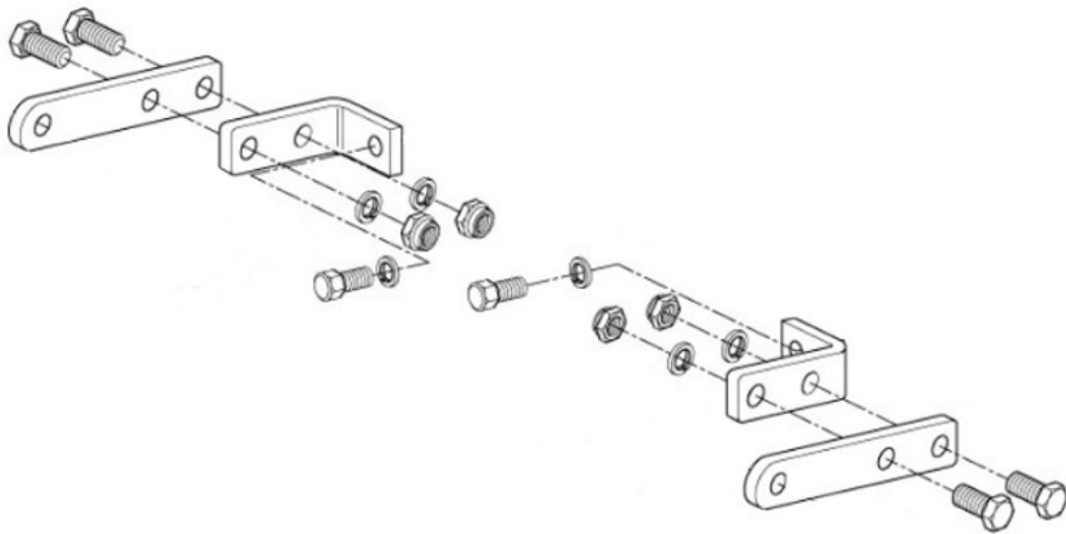
Thread Mounting Bolt Into Locknut

While holding the 3/8" nylon locknut in place with the needle nose pliers, insert the mounting bolt through drilled hole and spin clockwise to start threading into the locknut.



Step 7: Assemble Mounting Arms

Using the schematic below, assemble your mounting arms in order to connect to the channel piece in the next step.



Step 8: Install Striping Kit

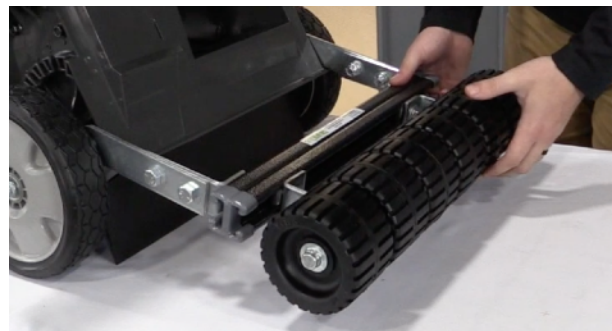
Remove preinstalled 1/2" x 1" bolts and lock washers from gray channel. Re-insert the bolt [with split lock washer] through the L shaped bracket and thread into the channel nut inside channel. **(Before tightening bolts all the way down; center roller behind the mower)**

After centering the roller; use a 3/4" wrench to firmly tighten each mounting arm to the striping roller.



Final Steps

Check installation, pick up the roller to confirm it freely pivots up and down.



Installation is now complete! Enjoy your striping with your new CheckMate™ Striping kit!