



# PRESSURE WASHER BREAKDOWN

B317RA

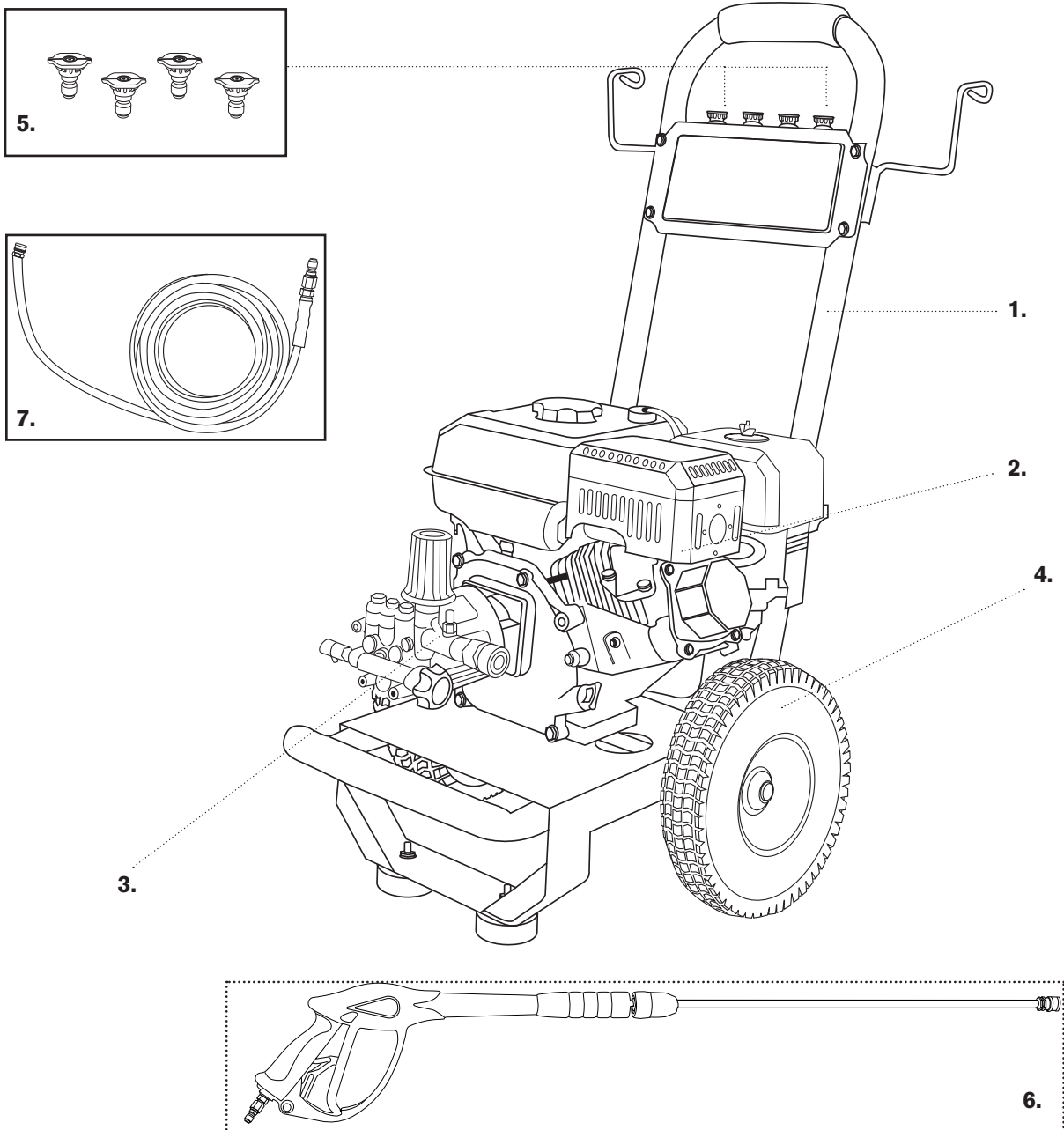
---





# PRESSURE WASHER BREAKDOWN

B317RA

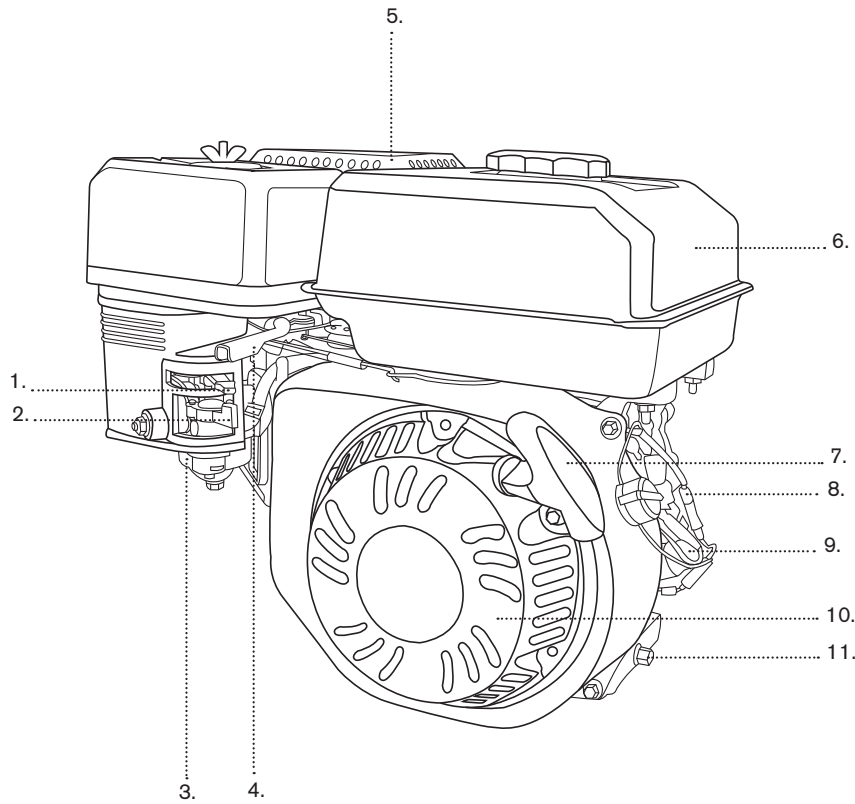


REF #	DESCRIPTION	PART #
1	Frame	85.600.124
2	Engine - Powerease	85.570.070
3	Pump - RMV25G30D -EZ	85.120.035
4	Wheels	85.660.004
5	Nozzle Set	85.210.025
6	Gun with Assembly	85.205.049
7	Hose 25" x 1/4"	85.225.229



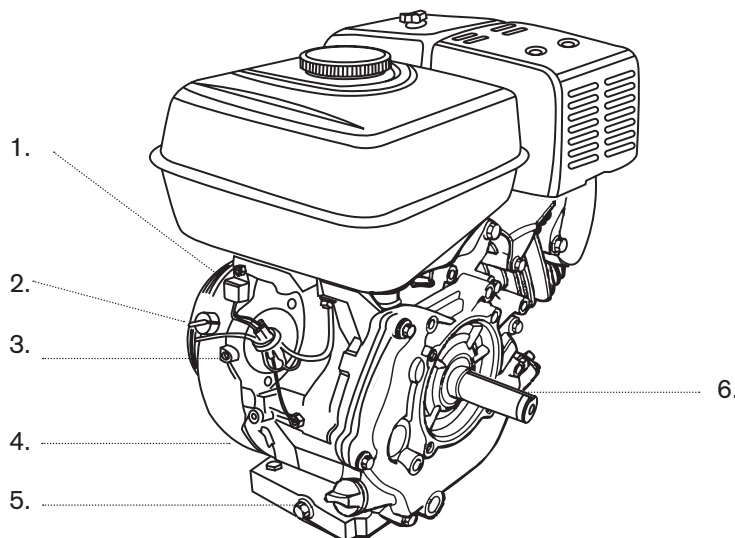
# PRESSURE WASHER BREAKDOWN

B317RA



## FRONT

1. Choke Lever
2. Fuel Valve
3. Carburetor
4. Throttle Lever
5. Air Cleaner
6. Fuel Tank
7. Starter Handle
8. Spark Plug
9. Oil Dipstick
10. Recoil Start
11. Oil Drain Plug



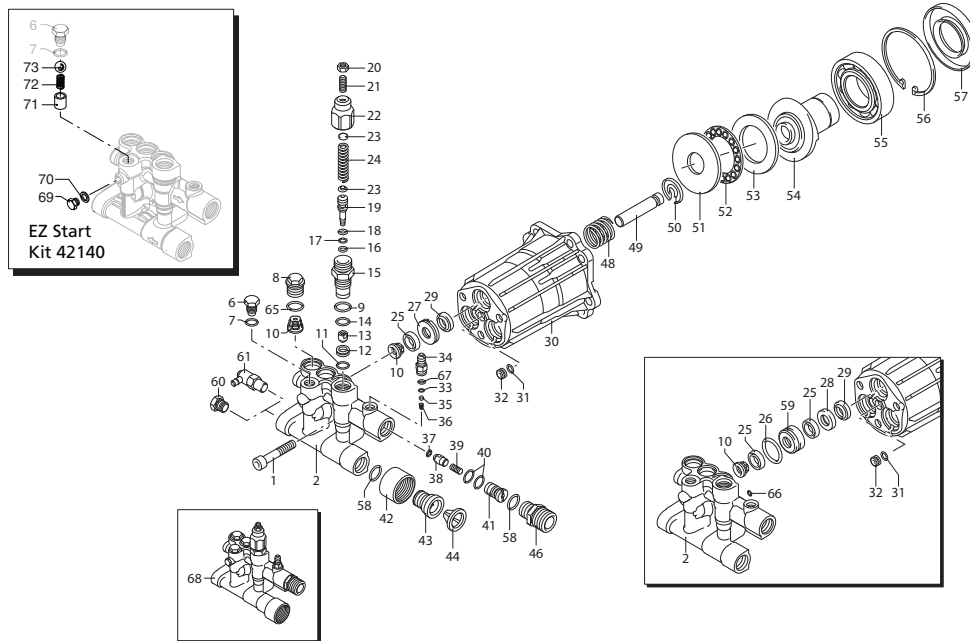
## BACK

1. Starter Handle
2. Engine Switch
3. Low Oil Sensor
4. Oil Dipstick
5. Oil Drain Plug
6. Oil Plug

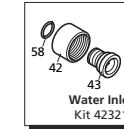
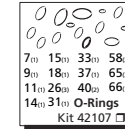
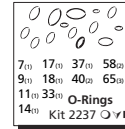
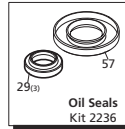
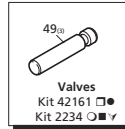
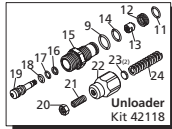


# PRESSURE WASHER BREAKDOWN

## B317RA



### Repair Kits



Pos	Code	Description	Qty	Pos	Code	Description	Qty	Pos	Code	Description	Qty
1	380410	Screw (221 in/lbs) $\nabla$ $\square$ 3	3	30	2840230	Pump body	1	57	2841050	Ring	1
2	800220	Screw (221 in/lbs) $\square$ 3	3	31	480560	O-Ring $\phi$ 6.75x1.78	1	58	2840890	O-Ring $\phi$ 14x2	2
3	2841730	Head $\nabla$ 1	1	32	2840710	Plug	1	59	1683500	Oil seal	3
4	2840022	Head $\blacksquare$ 1	1	33	480480	O-Ring $\phi$ 4.48x1.78	1	60	2840840	Plug $\nabla$ 1	1
5	2840870	Head $\circ$ 1	1	34	1982520	Hose tail $\phi$ 8 (35 in/lbs) $\nabla$ 1	1	61	480650	Washer	1
6	2841620	Head $\square$ 1	1	35	3700240	Hose tail $\phi$ 8 (35 in/lbs) $\nabla$ 1	1	62	TPP1401/4A	Thermal relief valve	1
7	2840830	Screw (89 in/lbs) 1	1	36	1250280	Ball	1	63	1060100	Ball $\nabla$ 1	1
8	600180	O-Ring $\phi$ 7.66x1.78	1	37	1560520	Spring	1	64	2840440	Seat $\nabla$ 1	1
9	2841530	Valve cap (221 in/lbs) 3	3	38	1460431	O-Ring $\phi$ 4x2.5	1	65	2840450	Spring $\nabla$ 1	1
10	740290	O-Ring $\phi$ 14x1.78	1	39	2841150	Shutter	1	66	2841520	O-Ring $\phi$ 13.5x1.8	3
11	2849051	Complete Valve $\bullet$ 6	6	40	3700220	Jet $\nabla$ 1	1	67	3400650	Plug	1
12	2849050	Complete Valve $\nabla$ $\square$ 6	6	41	1343580	Spring	1	68	480650	Washer $\nabla$ 1	1
13	1470210	O-Ring $\phi$ 9x1	1	42	800560	O-Ring $\phi$ 8.73x1.78	2	69	2849284	Complete head assembly $\nabla$ 1	1
14	2840770	Seat $\bullet$ 1	1	43	2840340	Injector	1	70	2840840	Plug (EZ start pump only)	1
15	2841080	Seat $\nabla$ $\square$ 1	1	44	3700200	Detergent injector $\nabla$ 1	1	71	480650	Washer (EZ start pump only)	1
16	2840760	Shutter (27 in/lbs) 1	1	45	2840270	Fitting	1	72	2840441	Seat (EZ start pump only)	1
17	820510	O-Ring $\phi$ 10.82x1.78	1	46	2841220	Fitting 3/4" NH $\nabla$ $\square$ 1	1	73	2840450	Spring (EZ start pump only)	1
18	2840750	Piston guide (177 in/lbs) 1	1	47	2841230	Fitting Aluminium (221 in/lbs) $\nabla$ $\bullet$ $\square$ 1	1				
19	2760210	Ring	1	48	2840390	Fitting Brass (221 in/lbs) $\square$ 1	1				
20	660190	O-Ring $\phi$ 6.07x1.78	1	49	7369	Filter	1				
21	2260100	O-Ring $\phi$ 6.02x2.62	1	50	2840400	Fitting 3/8" G M (221 in/lbs) $\circ$ 1	1				
22	2841140	Piston	1	51	2841380	Fitting (221 in/lbs) $\blacksquare$ 1	1				
23	1060120	Nut M6	1	52	2841120	Fitting (221 in/lbs) $\square$ $\nabla$ 1	1				
24	392840	Screw M6x16	1	53	2840060	Spring	3				
25	2760480	Insert	1	54	2840040	Piston $\phi$ 12 $\nabla$ $\square$ 3	3				
26	1980220	Wobble plate	2	55	2840530	Piston $\phi$ 12 $\square$ $\bullet$ 3	3				
27	2760410	Spring	1	56	2840050	Lock	3				
28	2200141	Water seal $\nabla$ $\square$ 3	3		51	1980130	Fifth wheel	1			
29	2200141	Water seal $\square$ 6	6		52	1980250	Fifth wheel	1			
	770260	O-Ring $\phi$ 23.52x1.78	3		53	1980240	Fifth wheel	1			
	770590	O-Ring $\phi$ 21.95x1.78	3		54	1980250	Fifth wheel	1			
	2840561	Bushing $\phi$ 12	3		55	2840050	Wobble plate $\blacksquare$ 1	1			
	2840550	Bushing $\phi$ 12	3		56	2840900	Wobble plate $\circ$ 1	1			
	2840540	Bushing $\phi$ 12	3		57	2840720	Wobble plate $\nabla$ 1	1			
	2840561	Bushing	3		58	2840730	Wobble plate $\square$ 1	1			
	1683500	Oil seal $\nabla$ $\square$ 3	3		59	161060	Bearing	1			
					60	161050	Ring $\phi$ 72	1			

AR64545 Oil 1  
OIL CAPACITY - 2.2 OZ

Legend		
$\phi$ 12	$\phi$ 12	$\phi$ 12
For $\circ$	For $\bullet$	For $\square$
RMV2G25 (Brass)	RMV25G30 (Brass)	RMV22G25-EZ (Brass)
	RMV25G30-EZ (Brass)	
For $\blacksquare$		For $\nabla$
RMV25G24 (Alum)		RMV22G24 (Alum)