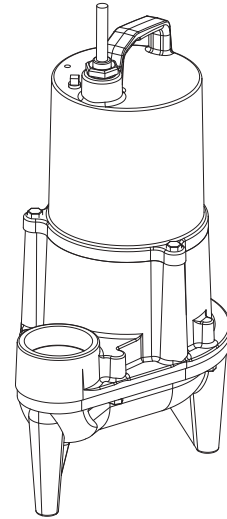


**Submersible Non-Clog Pumps**

**DISCHARGE** ..... 2" NPT, Female, Vertical  
**LIQUID TEMPERATURE** ..... 77°F (25°C) Continuous  
**MOTOR HOUSING** ..... Cast Iron  
**PUMP BODY** ..... Cast Iron  
**IMPELLER: Design** ..... Multi-Vane, Vortex  
**Material** ..... Cast Iron  
**SHAFT** ..... 416 Stainless Steel  
**O-RINGS** ..... Buna-N  
**HARDWARE** ..... 300 Series Stainless Steel  
**PAINT** ..... Air Dry Enamel  
**CORD ENTRY** ..... 20 ft. (6m) Quick Disconnect Cord with  
 plug on 115 Volt, Pressure Grommet for  
 sealing and strain relief  
**SEAL: Design** ..... Single Mechanical, Oil Filled Reservoir  
**Material** ..... Carbon/Ceramic/Buna-N  
 Hardware - 300 Series Stainless  
**UPPER BEARING** ..... Single Row, Ball, Oil Lubricated  
**LOWER BEARING** ..... Single Row, Ball, Oil Lubricated  
**MOTOR: Design** ..... Oil Filled  
**Insulation** ..... Class B  
**SINGLE PHASE** ..... Permanent Split Capacitor (PSC)  
 Includes Overload Protection in Motor  
**LEVEL CONTROL:**  
 SEV412 ..... None  
 SEV412A ..... Wide Angle, Mechanical, 20 ft (6m) cord  
 Pipe Mounted  
 SEV412VF ..... Vertical Float, PVC, Snap Action  
 SEV412VFT ..... Attached Vertical Float, PVC, Snap Action  
 SEV412AT ..... Wide Angle, Mechanical, 20 ft (6m) cord  
 Pump Mounted

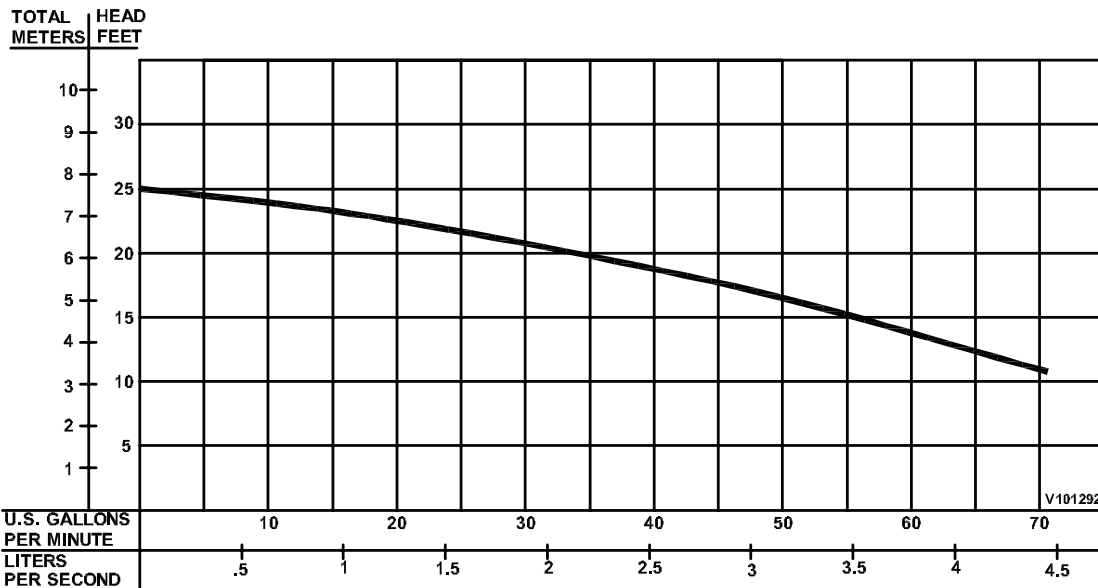


**Series: SEV**  
**0.5 HP, 3450RPM, 60Hz**



CSA 108 - File No. LR16567  
UL 778

**DESCRIPTION:**  
SUBMERSIBLE NON-CLOG SEWAGE PUMP DESIGNED  
FOR TYPICAL RAW SEWAGE APPLICATIONS



Testing is performed with water specific gravity of 1.0 @ 68°F (20°C), other fluids may vary performance

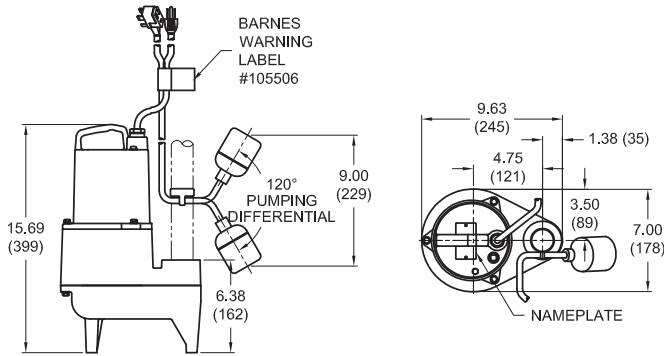
# Series SEV412

2" Spherical Solids Handling  
Manual & Automatic

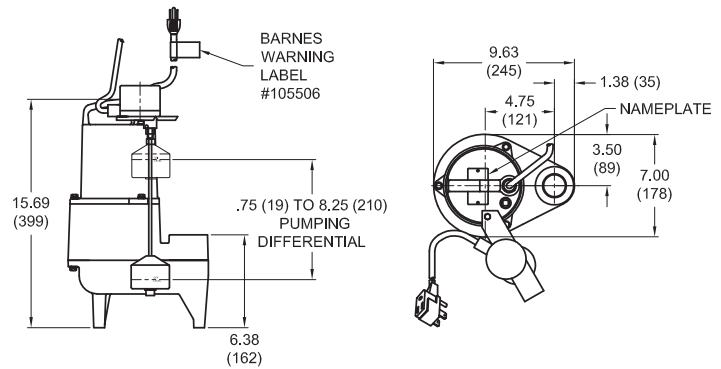
## Submersible Non-Clog Pumps

**SEV412A**  
**SEV412 (Less Float)**  
**SEV412AT (Attached to Motor Housing)**

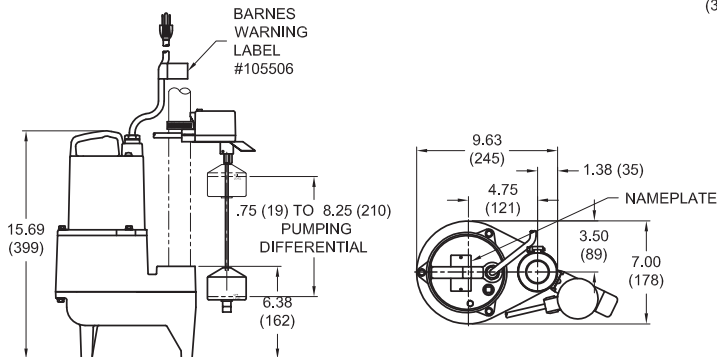
inches  
(mm)



**SEV412VFT**



**SEV412VF**



MODEL NO	PART NO	HP	VOLT/PH	Hz	RPM (Nom)	NEMA START CODE	FULL LOAD AMPS	LOCKED ROTOR AMPS	CORD LENGTH	CORD SIZE	CORD TYPE
SEV412	101292	0.5	115/1	60	3450	H	10.50	18.6	20 ft. (6m)	14/3	SJTOW
SEV412A	101293	0.5	115/1	60	3450	H	10.50	18.6	20 ft. (6m)	14/3	SJTOW
SEV412VF	101294	0.5	115/1	60	3450	H	10.50	18.6	20 ft. (6m)	14/3	SJTOW
SEV412AT	103544	0.5	115/1	60	3450	H	10.50	18.6	20 ft. (6m)	14/3	SJTOW
SEV412VFT	110404	0.5	115/1	60	3450	H	10.50	18.6	20 ft. (6m)	14/3	SJTOW

**IMPORTANT !**

- 1.) PUMP MAY BE OPERATED "DRY" FOR EXTENDED PERIODS WITHOUT DAMAGE TO MOTOR AND/OR SEALS.
- 2.) INSTALLATIONS SUCH AS DECORATIVE FOUNTAINS OR WATER FEATURES PROVIDED FOR VISUAL ENJOYMENT MUST BE INSTALLED IN ACCORDANCE WITH THE NATIONAL ELECTRIC CODE ANSI/NFPA 70 AND/OR THE AUTHORITY HAVING JURISDICTION. THIS PUMP IS NOT INTENDED FOR USE IN SWIMMING POOLS, RECREATIONAL WATER PARKS, OR INSTALLATIONS IN WHICH HUMAN CONTACT WITH PUMPED MEDIA IS A COMMON OCCURRENCE.