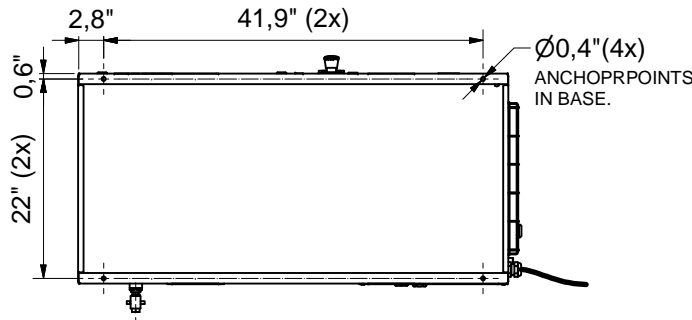
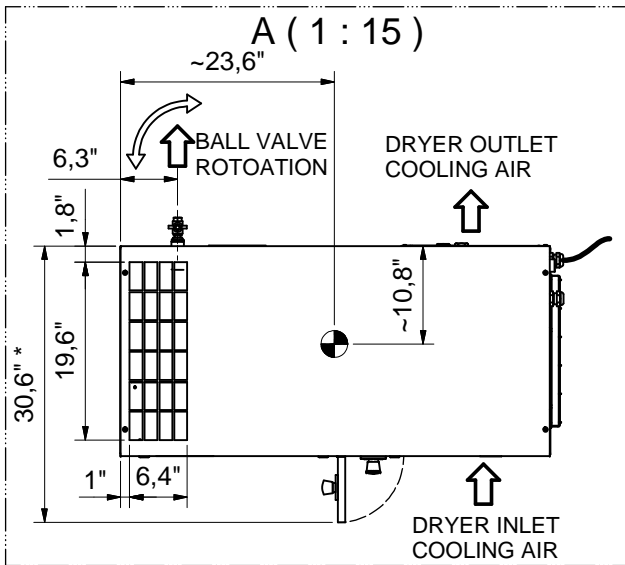
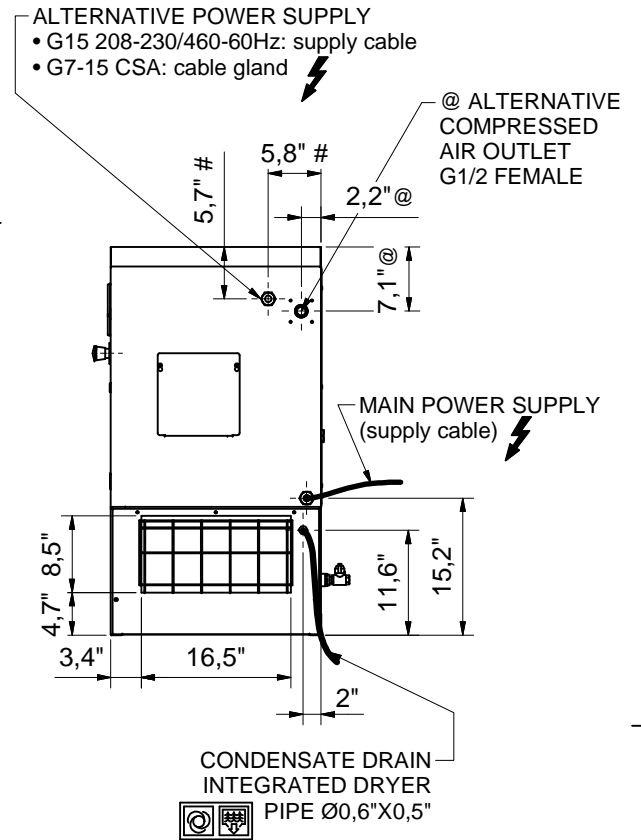
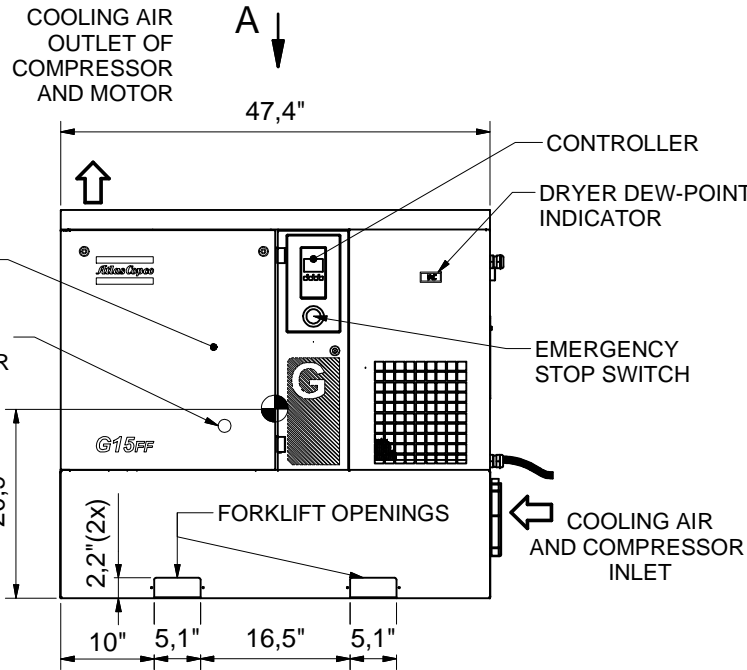
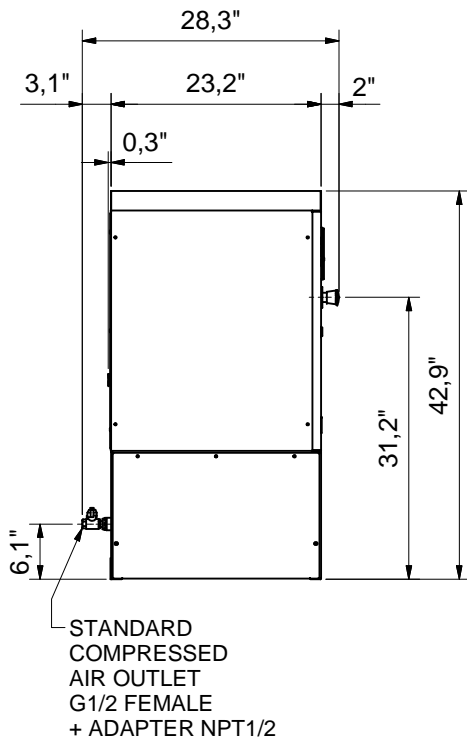


All materials supplied are in compliance with the requirements of the List of Prohibited Substances



**NOTES:**

- - CENTER OF GRAVITY
- \* - CUBICLE DOOR FULLY OPEN
- # - UL/CSA VARIANTS
- @ - OPTION DDx/PDx FILTER

Tolerances, if not indicated, according to:									
ATLAS COPCO STANDARD CLASS									
Name					DIMENSION DRW. G7-15 FF FLOORMOUNTED			Confidentiality Class	
Material					Not applicable			Confidential	
Treatment					Not applicable			INV	
Scale		1:10		Family		G7-15		Compare	
Drawn by		CAI/graser		Blank nr.				Replaces	
Drawing format		Blank wt		Kg		Fini wt.		N/A	
Des checked.		Prod checked.		Approved.		Date		16/12/2015	
STATUS					Preliminary				
Ed					Position				
RELEASED FOR PRODUCTION, CID 26093/01-03-16 - DN 160620.01					9828083236				
Date					Intr./Appd.				
Parent 3D model					Edition 3D				
Designation					Sheet 1 / 1				
9828083238					9828083238				

CONFIDENTIAL: This document is our property and shall not without our permission be altered, copied, used for manufacturing or communicated to any other person or company.