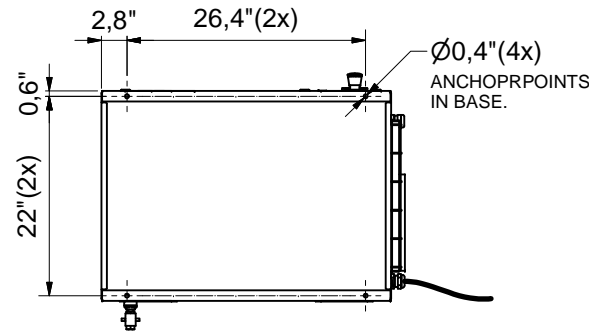
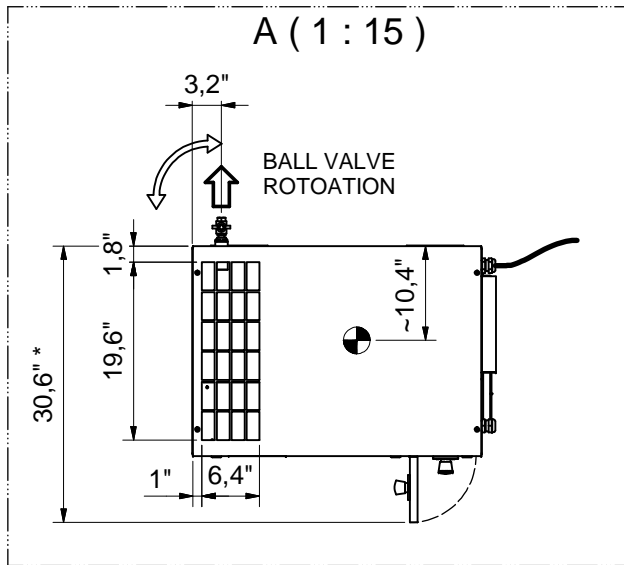
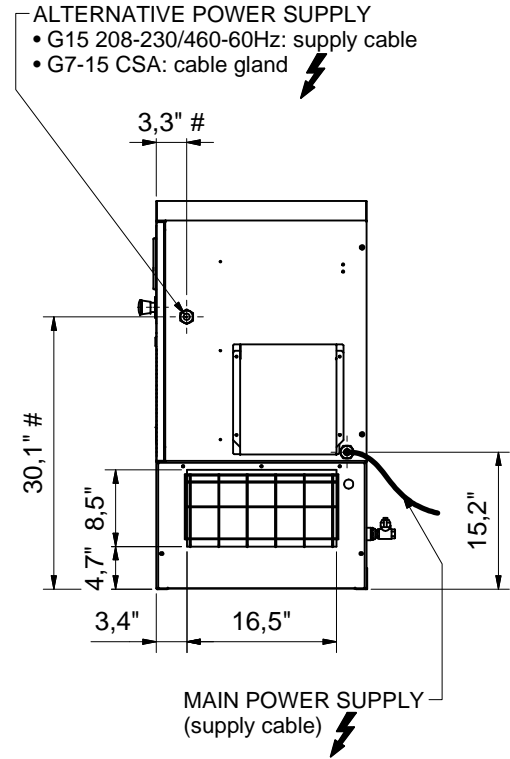
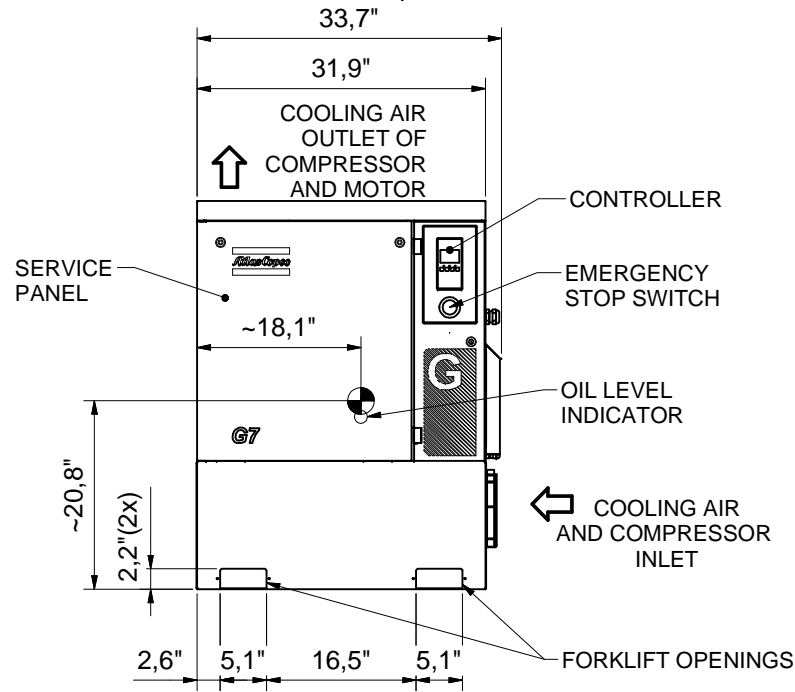
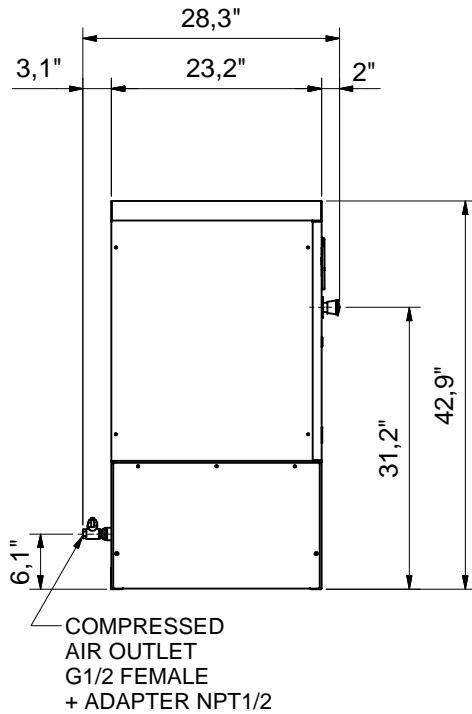


All materials supplied are in compliance with the requirements of the List of Prohibited Substances



**NOTES:**  
 - CENTER OF GRAVITY  
 \* - CUBICLE DOOR FULLY OPEN  
 # - UL/CSA VARIANTS

Tolerances, if not indicated, according to:									
ATLAS COPCO STANDARD CLASS									
Name DIMENSION DRW. G7-15 PACK FLOORMOUNTED								Confidentiality Class acc. to 1102 K	
Material Not applicable								Confidential	
Treatment Not applicable								INV	
Scale 1:10		Family G7-15		Compare		Drawing owner			
Drawn by CAIgraser		Blank nr.		Replaces		CAI			
Drawing format Blank wt		Kg		Fini wt.		N/A		Designation	
Des checked.		Prod checked.		Approved.		Date 16/12/2015		Sheet 1 / 1	
<b>Preliminary</b>								<b>9828083236</b>	

CONFIDENTIAL:

This document is our property and shall not without our permission be altered, copied, used for manufacturing or communicated to any other person or company.

Ed	Position	Modified from	Date	Intr./Appd.	Parent 3D model	Edition 3D
-		RELEASED FOR PRODUCTION, CID 26093/01-03-16 - DN 160620.01			9828083236	-01