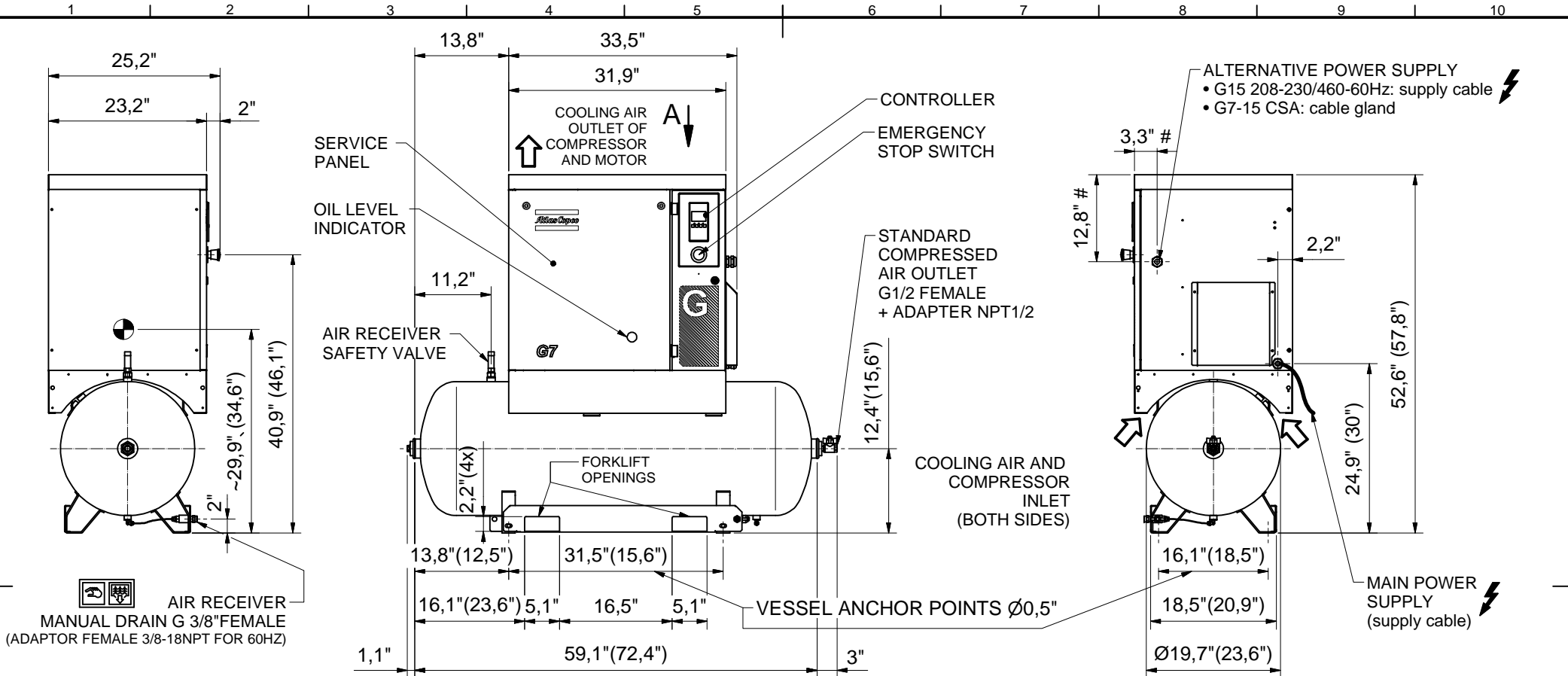
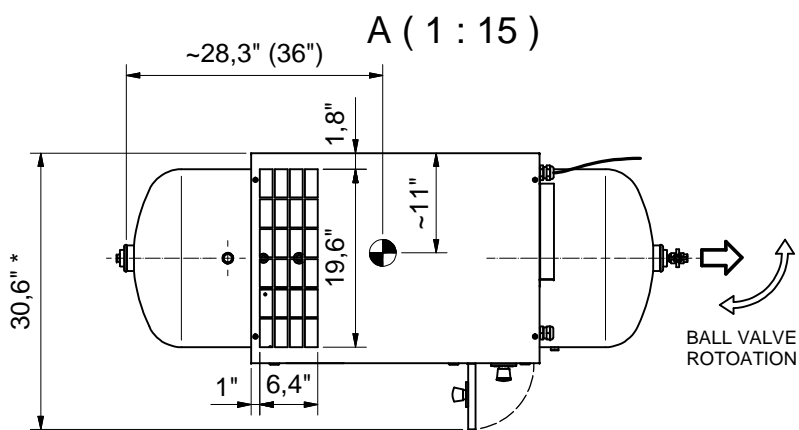


All materials supplied are in compliance with the requirements of the List of Prohibited Substances



AIR RECEIVER MANUAL DRAIN G 3/8" FEMALE (ADAPTOR FEMALE 3/8-18NPT FOR 60HZ)



**NOTES:**

- CENTER OF GRAVITY
- \* - CUBICLE DOOR FULLY OPEN
- # - UL/CSA VARIANTS

500L/125GAL VESSEL DIMENSIONS WITHIN BRACKETS

Tolerances, if not indicated, according to:								
ATLAS COPCO STANDARD CLASS								
Name	DIMENSION DRW. G7-15 PACK TANKMOUNTED			Confidentiality Class	acc. to 1102 K			
Material	Not applicable			Confidential				
Treatment	Not applicable			INV				
Scale	1:15	Family	G7-15	Compare	Drawing owner			
Drawn by	CAI/graser	Blank nr.		Replaces	CAI			
Drawing format	Blank wt	Kg	Fini wt.	N/A	Designation			
Des checked.	Prod checked.	Approved.	Date	16/12/2015	Sheet 1 / 1			
<b>Preliminary</b>				<b>9828083237</b>				

CONFIDENTIAL: This document is our property and shall not without our permission be altered, copied, used for manufacturing or communicated to any other person or company.

-	RELEASED FOR PRODUCTION, CID 26093/01-03-16 - DN 160620.01			9828083237	-01	
Ed	Position	Modified from	Date	Intr./Appd.	Parent 3D model	Edition 3D