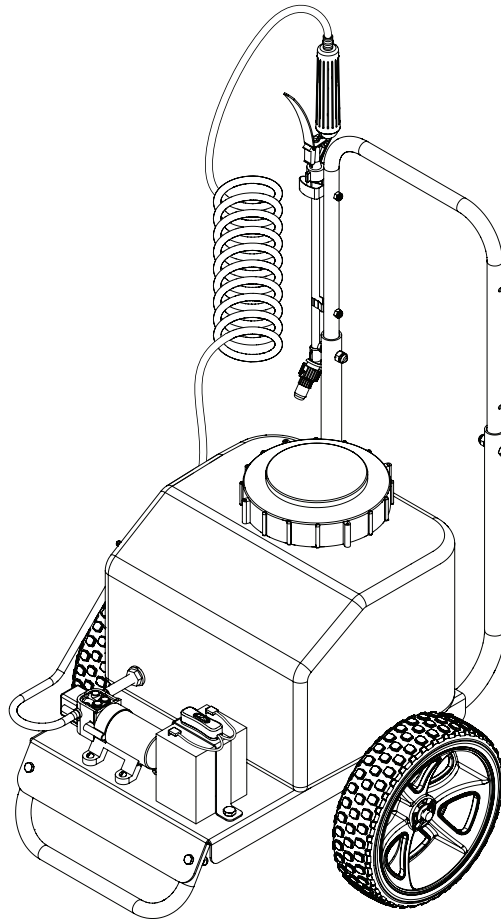


# **Agri+Fab<sup>®</sup>**

## **Lawn Care Made Easy<sup>®</sup>**



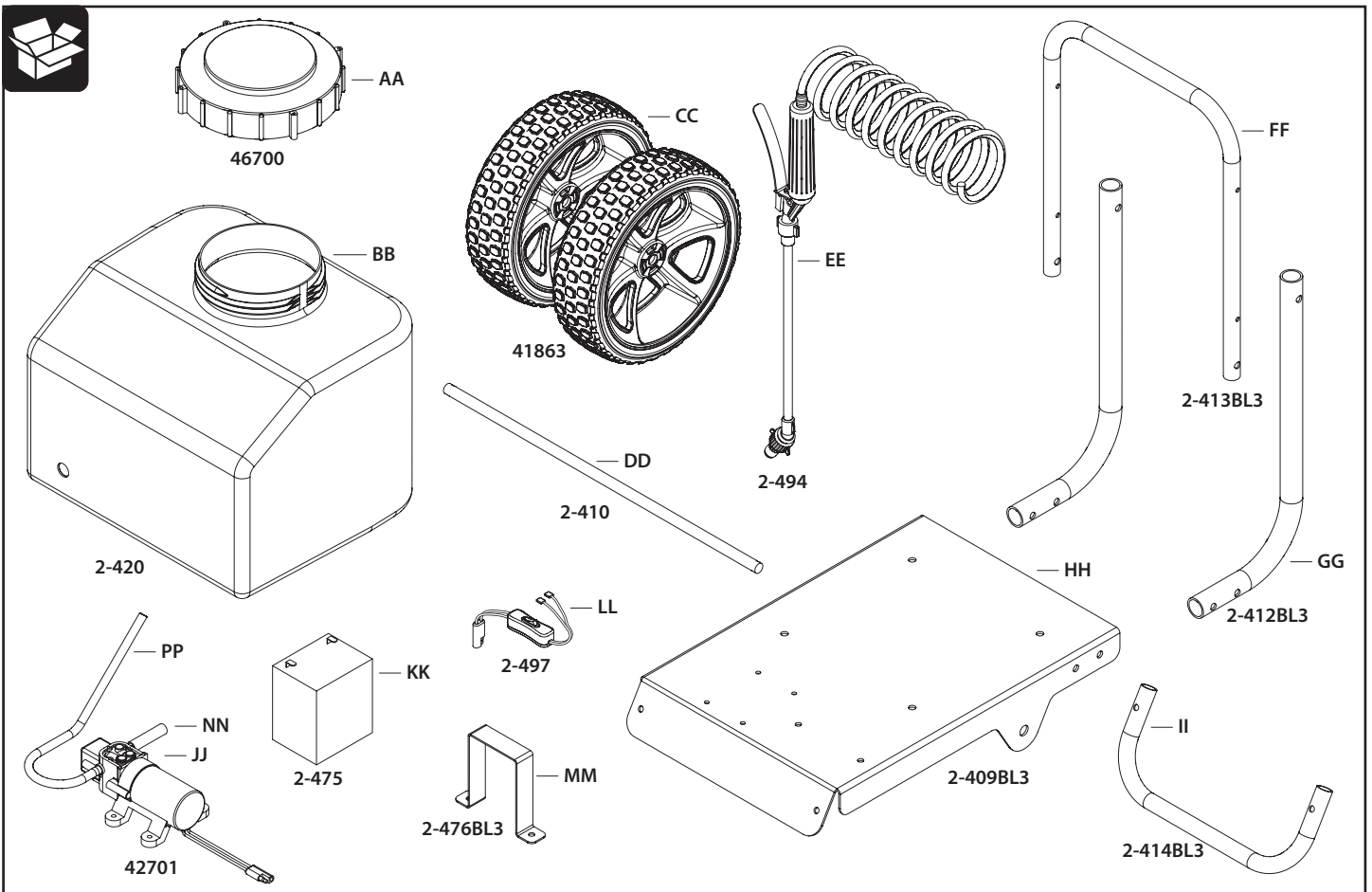
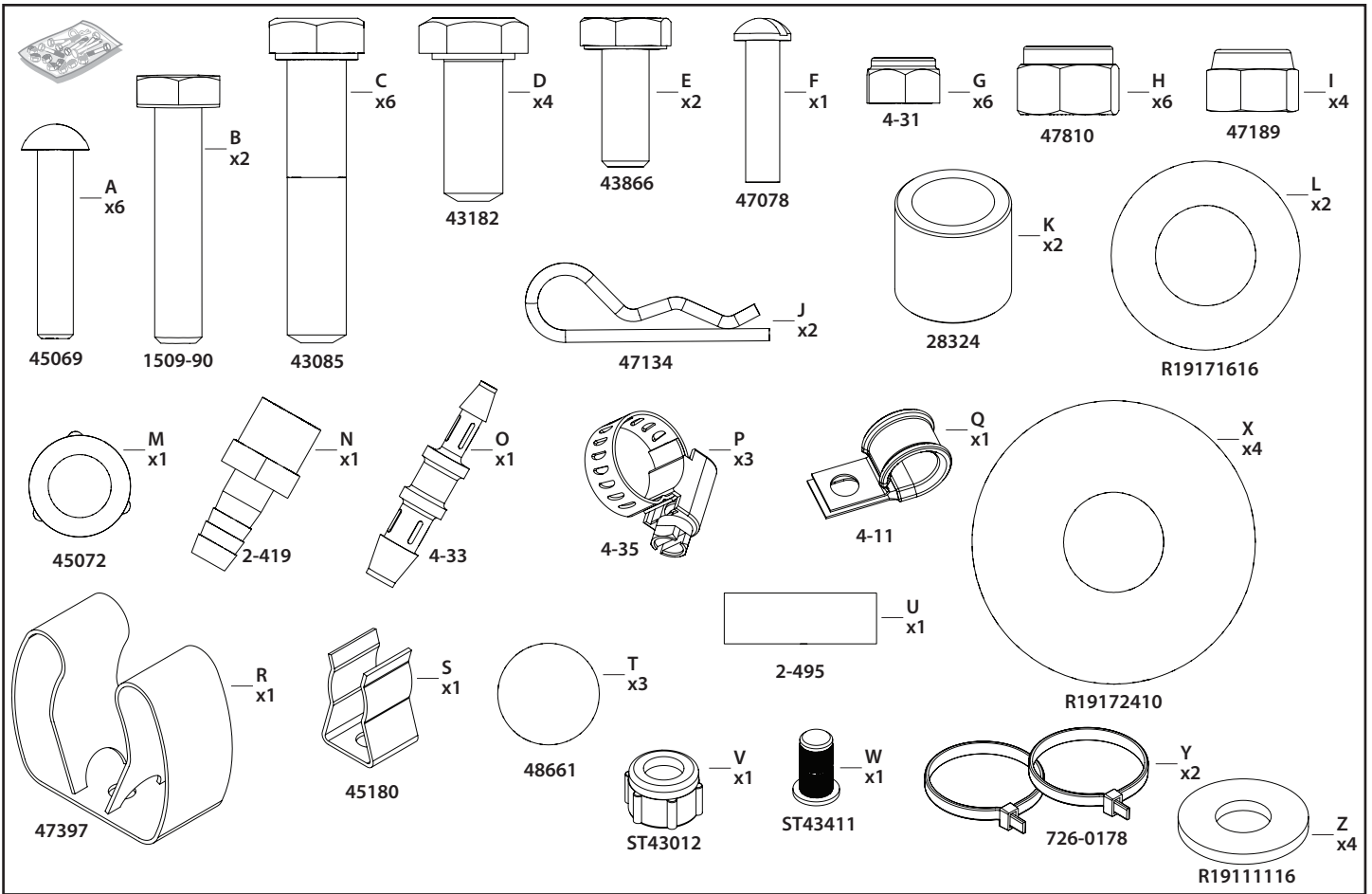
# 45-0595

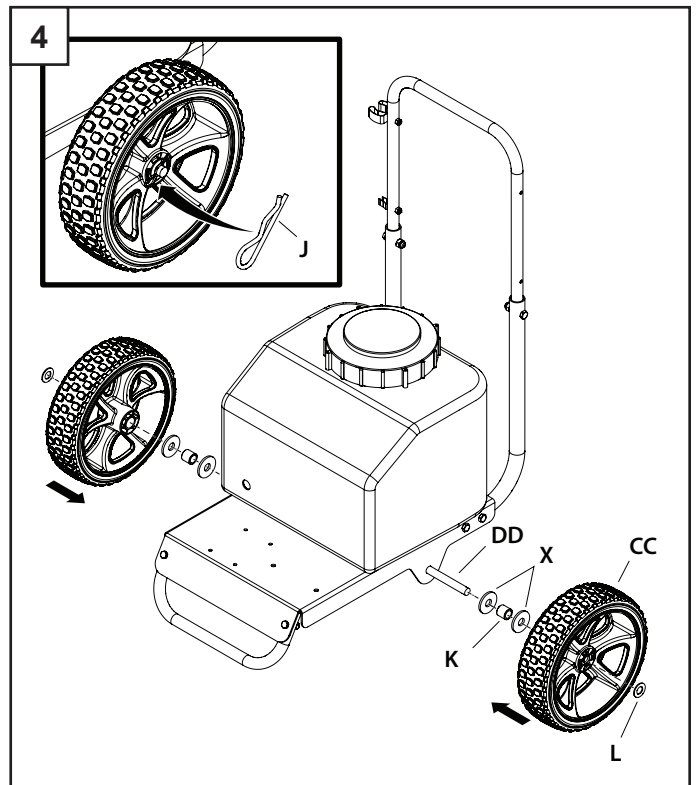
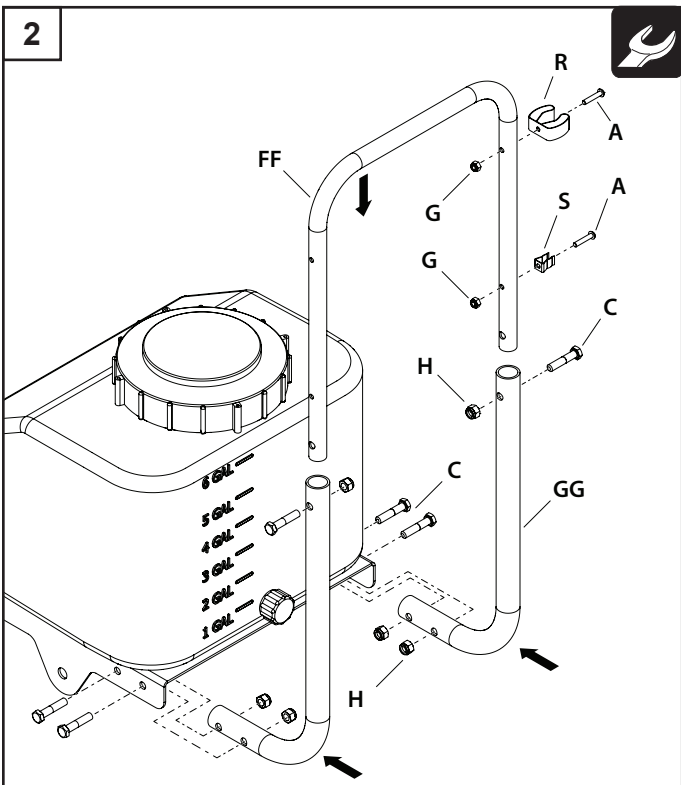
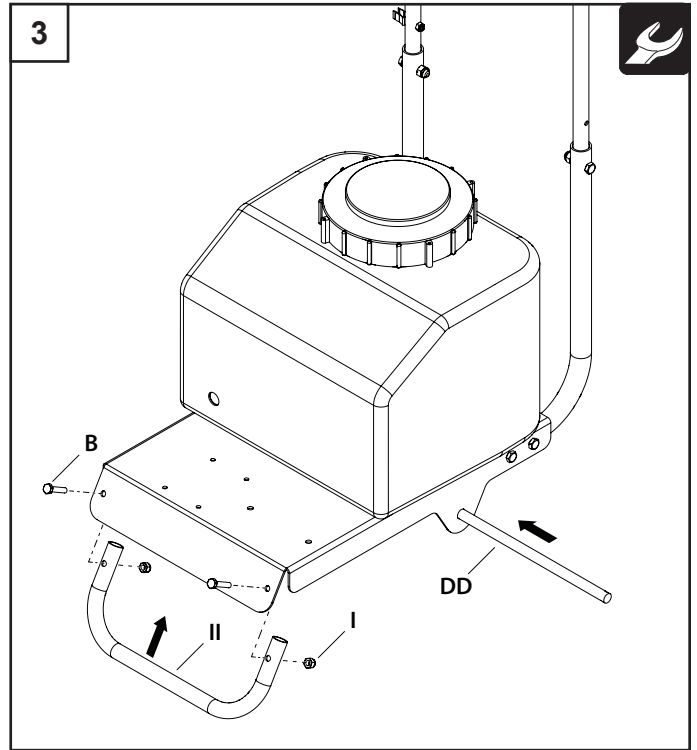
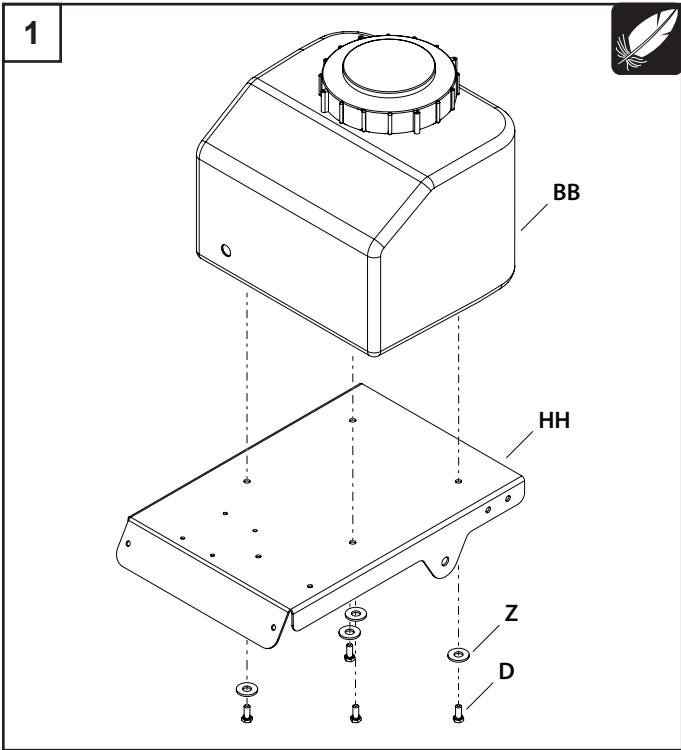
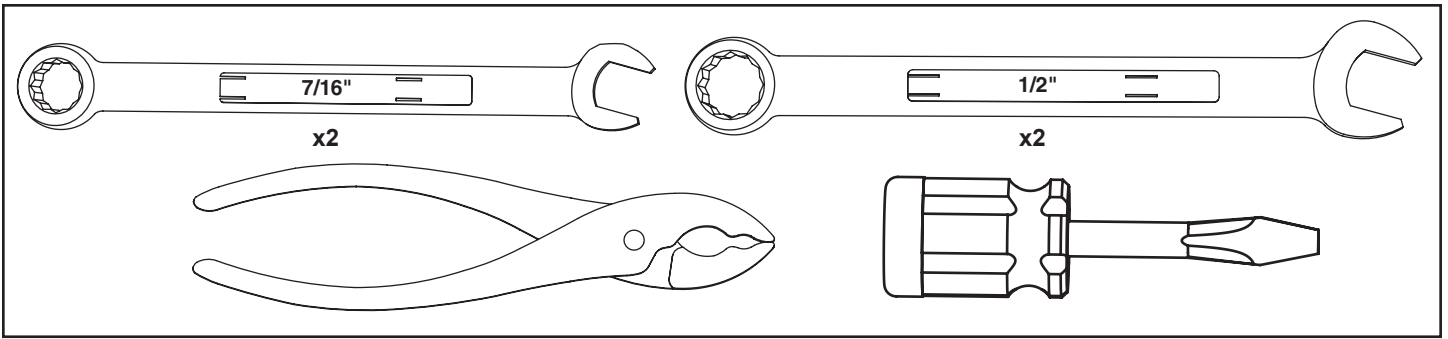
Want more information or assembly tips?

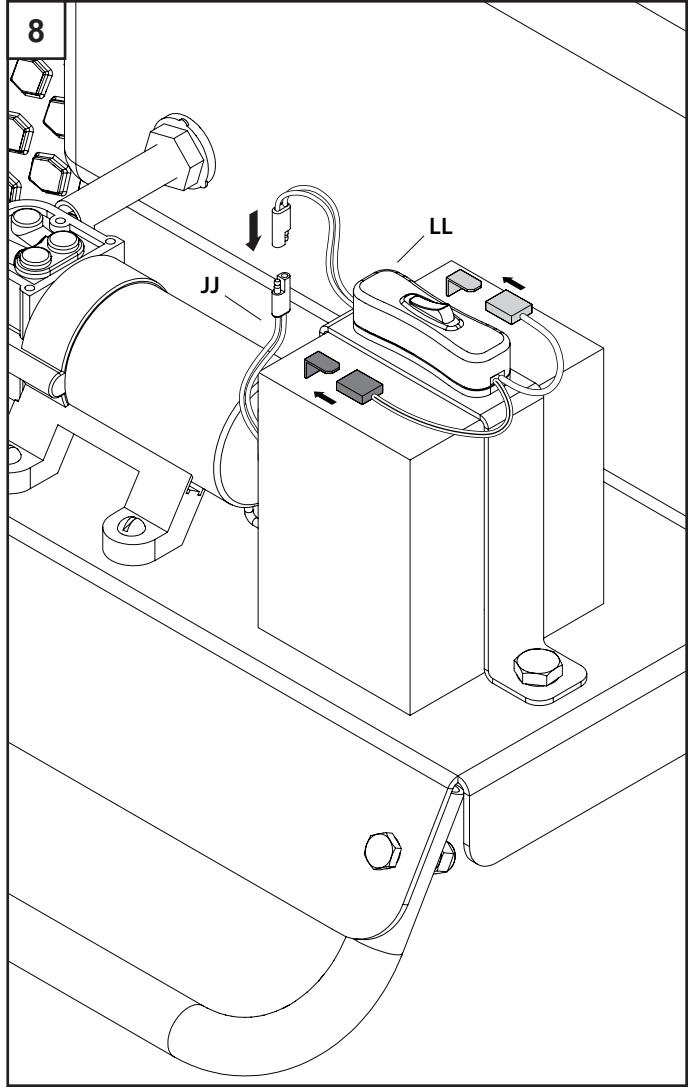
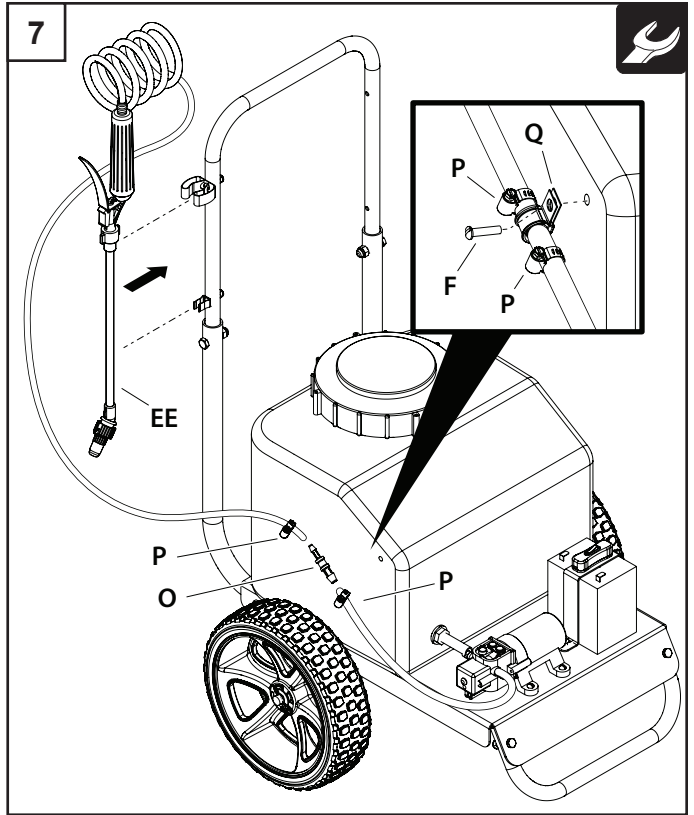
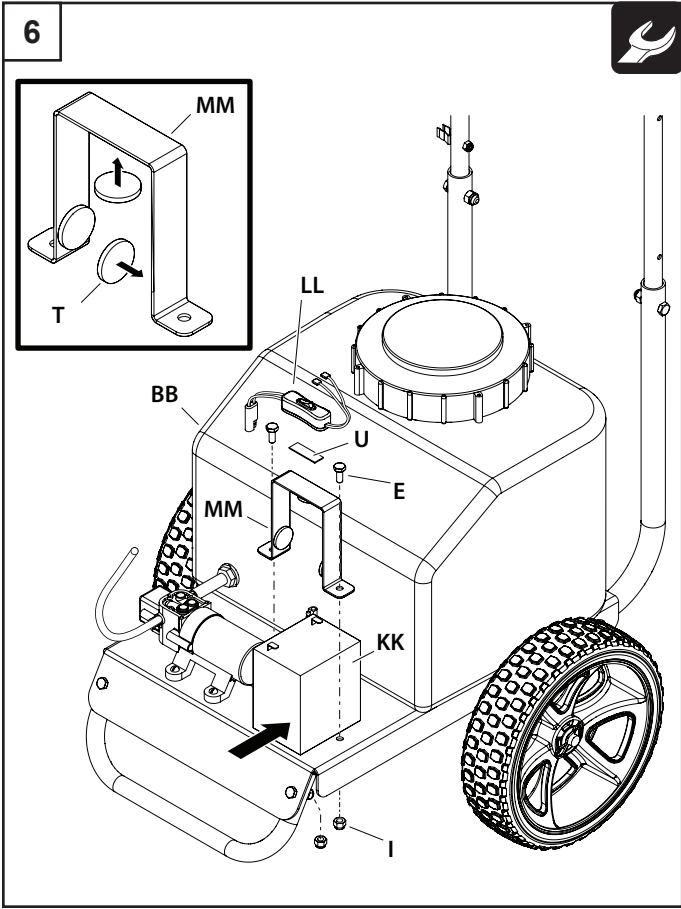
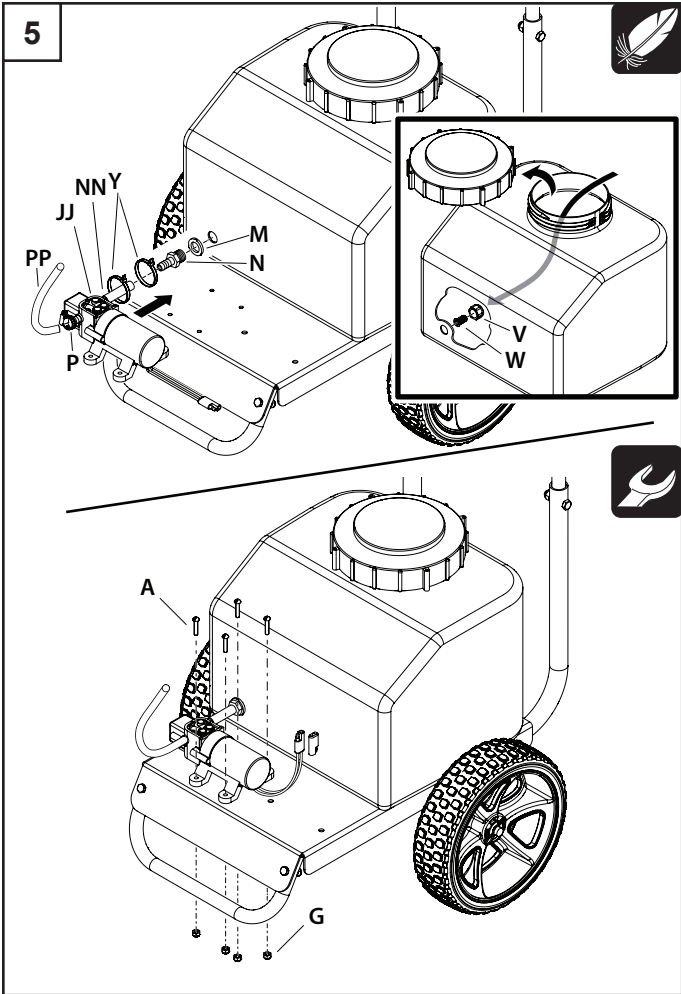


**Video  
Instruction  
Guide**

**[youtube.com/c/agrifab](https://www.youtube.com/c/agrifab)**







## **ENGLISH**

### **ASSEMBLY**

The meanings of symbols used in the illustrations are as follows:

Do not overtighten.



Tighten now.



### **SAFETY**

1. Read this owners manual and the vehicle owners manual before using this sprayer.
2. Never allow children to operate this sprayer.
3. Do not allow anyone to ride on or sit on this sprayer.
4. Keep the area clear of all persons, especially small children.
5. Read the chemical label before handling or mixing chemicals.
6. Wear eye and hand protection and protective clothing when handling and applying lawn chemicals.
7. Always release pressure in the system before filling, cleaning, or servicing the sprayer.
8. Liquid spray material is recommended. Sprayer does not agitate wettable powders.
9. Do not spray on windy days.
10. Stop sprayer when tank is empty.

### **ABOUT THE BATTERY**

The 6-gallon Sprayer comes with a 12-Volt, maintenance-free, rechargeable, sealed lead acid battery. A fully charged battery runs about 20 hours or 400 up/down cycles. Properly maintained and charged, the battery provides years of dependable service. Never modify the 6-gallon Sprayer's electrical system. Modifications could ruin the electrical system as well as cause a fire, resulting in serious injury.

### **BATTERY WARNINGS!**

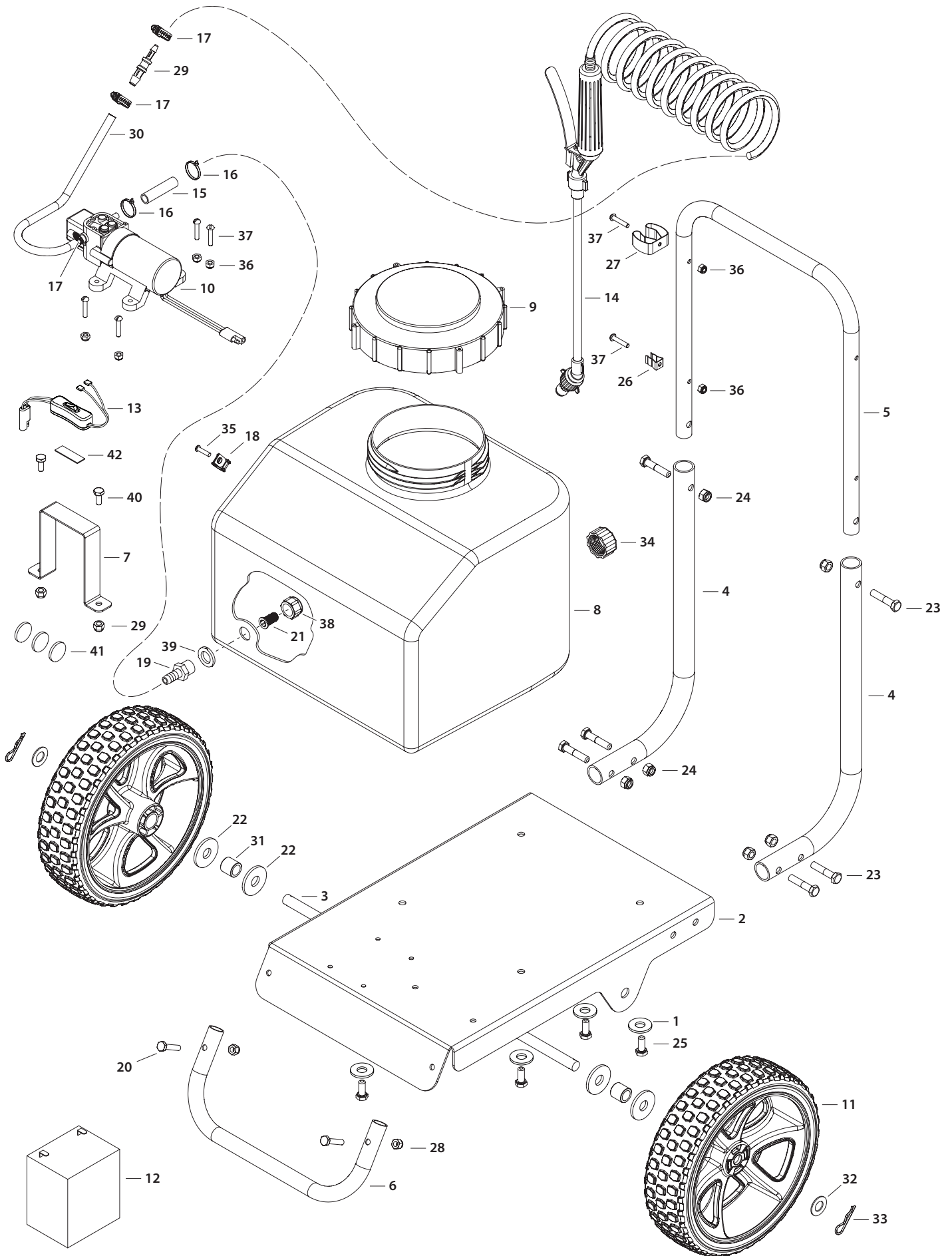
1. Using electrical components other than those supplied with the machine could cause the electrical system to overheat, explode, or start a fire.
2. Using the wrong type of battery or charger could cause a fire or explosion, resulting in serious injury.
3. Use the 12-volt charger supplied with the machine or a 12-volt, 2 amp max, substitute charger to charge the battery.
4. Use the charger only in dry locations. Avoid contact with water.
5. Only adults should handle the battery. It contains sulfuric acid (an electrolyte) and the battery is heavy; dropping it could result in serious injury.
6. Never allow children to charge the battery. The electricity involved in charging the battery could cause severe injury.
7. Examine the charger, its connectors, and the battery for excessive wear or damage each time you charge the battery. If you see any excessive wear or damage, do not use the charger or the battery, replace them.
8. Never lift or carry the battery by the cables or terminals. This can damage the battery and possibly start a fire, resulting in serious injury. Lift and carry the battery only by its case.
9. Do not short circuit the battery.

### **CHARGING THE BATTERY**

Charging the battery is a simple process. Leave the battery in the 6-gallon Sprayer when you charge it.

1. Attach the black (-) wire terminal from the charger to the black (-) terminal of the battery, then attach the red (+) wire terminal to the red (+) battery terminal.
2. Plug the charger into a standard wall outlet.
  - Typically, the battery takes between 6 and 8 hours to fully charge.
  - Keep the battery fully charged and at room temperature when not using the sprayer.
  - Once the battery is charged, pull the plug from the wall outlet and then remove the charger from the battery.
  - Store the charger in its self-locking plastic shipping bag. Keep the charger in a dry location.
  - If the battery does not hold its charge under normal conditions replace it.

Purchase replacement batteries directly from Agri-Fab. To install the new battery, detach the cables, remove the battery clamp, and remove the dead battery. Install the new battery, replace the battery clamp, and attach the cables.



# 45-0595

REF	QTY	PART NO	DESCRIPTION	REF	QTY	PART NO	DESCRIPTION
1	4	R19111116	Washer, .343 X .687 X .0673	22	4	R19172410	Washer, .531 X 1.5 X .134
2	1	2-409BL3	Baseplate	23	6	43085	Bolt, Hex 5/16-18 X 1-1/2 G5
3	1	2-410	Axle	24	6	47810	Nut, Hex .312-18 Nyloc
4	2	2-412BL3	Tube, Lower Handle	25	4	43182	Bolt, Hex 5/16-18 X 3/4 GR5
5	1	2-413BL3	Tube, Upper Handle	26	1	45180	Clip, Small Spray Gun
6	1	2-414BL3	Tube, Kickstand	27	1	47397	Clip, Large Spray Gun
7	1	2-476BL3	Battery, Bracket	28	4	47189	Nut, Hex 1/4-20 Nyloc
8	1	2-420	Tank	29	1	4-33	Reducer, Barbed 3/8" To 1/4"
9	1	46700	Lid, Tank 15 Gal	30	1	2-418	Hose, .375" ID X 14.00"
10	1	42701	Pump, (Delavan 2200-201)	31	2	28324	Spacer, .510 ID X .750 OD X .70
11	2	41863	Wheel & Tire Assy, Idle Flat	32	2	R19171616	Washer, .531 X 1 X .059
12	1	2-475	Battery, Sla 12V-5AH	33	2	47134	Pin, Hair Cotter .08 X 1.58
—	1	DR378541	Charger, Battery	34	1	48719	Cap, 25 Gal Tank (w/Lanyard)
13	1	2-497	Wiring Harness w/Switch	35	1	47078	Screw, PH 10-24 X 3/4 PL
14	1	2-494	Ass'y, Spray Gun	36	6	4-31	Nut, #10 - 24 Nyloc
15	1	2-416	Hose, .375" ID X 1.87" L	37	6	45069	Screw, PH 10-24 X 1 PL
16	2	726-0178	Tie, Nylon (Cable) T50R	38	1	ST43012	Tip Fitting Cap Nut
17	3	4-35	Clamp, Band	39	1	45072	Gasket, 3/4" Garden Hose
18	1	4-11	Clamp, Rubber Sleeve	40	2	43866	Bolt, Hex 1/4-20 X 5/8 GR5
19	1	2-419	Fitting, Bulkhead 3/8" ID	41	3	48661	Bumper, Rubber (Adhesive Back
20	2	1509-90	Bolt, Hex 1/4-20 X 1-1/4 GR5	42	1	2-495	Tape, Double Stick
21	1	ST43411	Spray Tip Screen / Strainer		1	3-207	Owners Manual

***SpeedPart*** *the fastest way to purchase parts* [www.speedepart.com](http://www.speedepart.com)

**REPAIR PARTS**

Agri-Fab, Inc.  
809 South Hamilton  
Sullivan, IL. 61951  
217-728-8388  
[www.agri-fab.com](http://www.agri-fab.com)