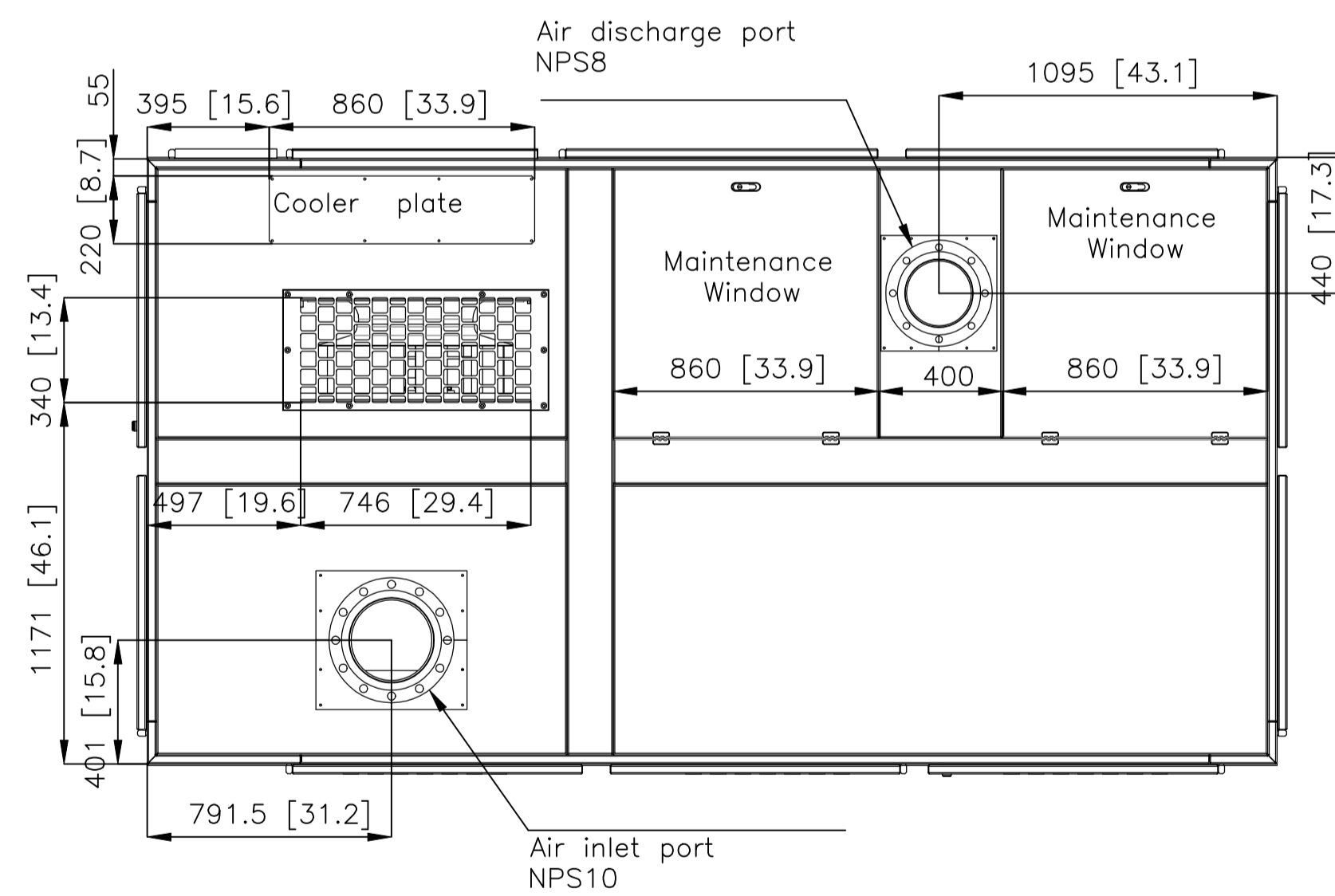
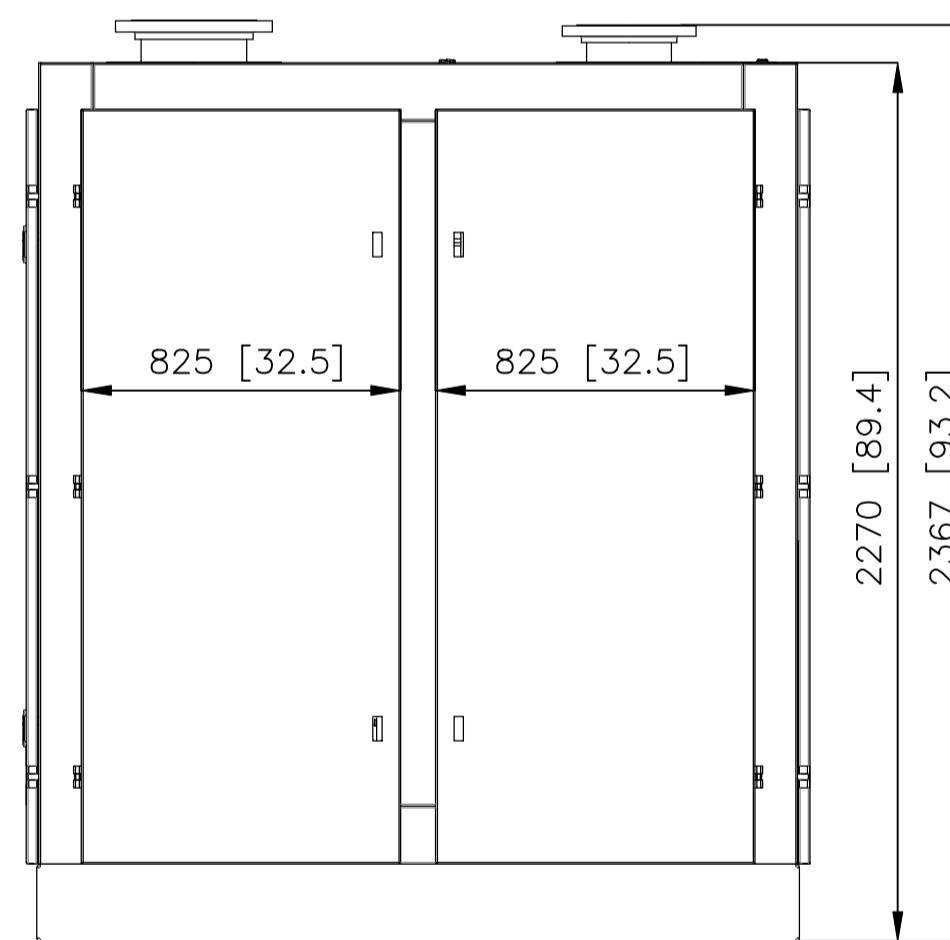



View A



Specification

1. The compressor must have at least 4 feet of clearance around all side for proper ventilation and cooling.
2. The compressor must be installed on a smooth, level surface capable of supporting the gross weight of the machine.

UNLESS OTHERWISE SPECIFIED									
TOLERANCE ON ANGLES: +/- 0.5 DEGREE									
MACHINED PARTS TOLERANCE: +/- 0.03 in				KRSV-125			Outline Dimensions		
SHEETMETAL TOLERANCE: +/- .13 in									
FINISH ON MACHINED SURFACES $\nabla_{12.5}$				DESIGN	STD	PHASE SIGN	WEIGHT	SCALE	V125-09272022-001
						S		1:10	REF. ONLY
				CHECK	AUDITING	SHEET 1 OF 1			NEXT ASSE
					APPROVE				