

# Little GIANT®

## WRS-6

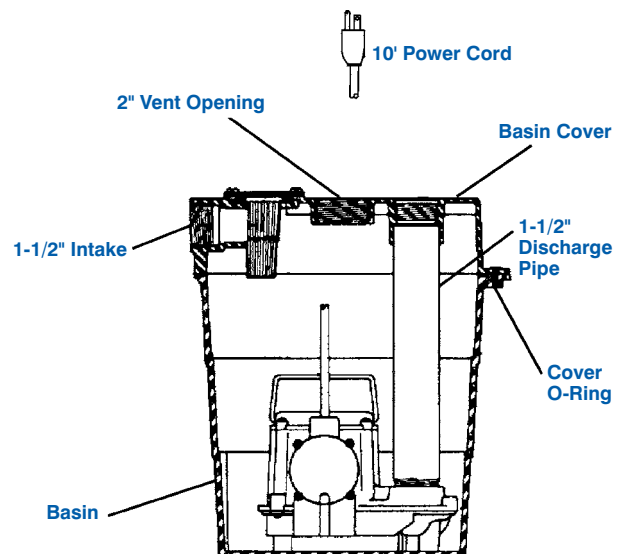


### Features

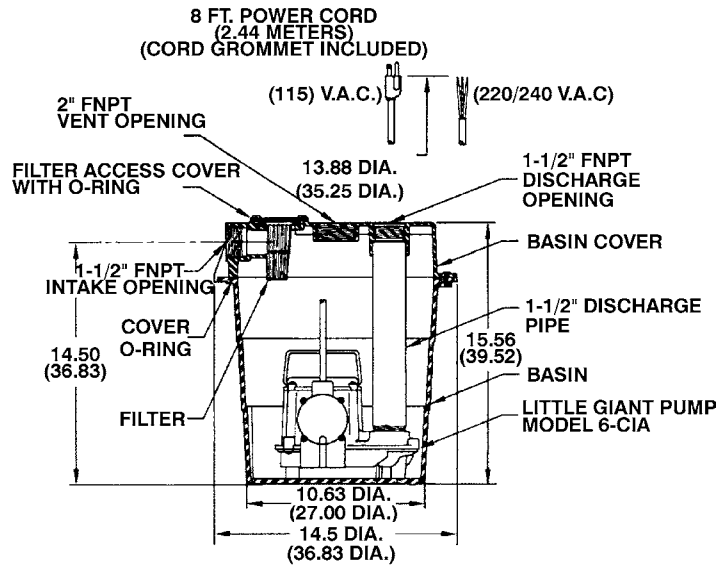
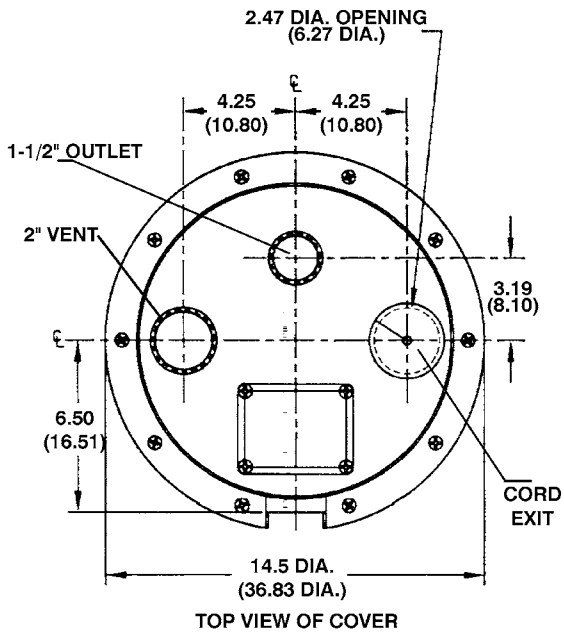
- Pump made of cast iron housing with protective epoxy coating for corrosion resistance
- Screened intake
- 1/3 HP motor with thermal overload protection
- Automatic diaphragm pressure switch enclosed in nylon housing with “on” level at 7”–10” and “off” level at 1”–4”
- Basin made of polypropylene, light weight, and corrosion resistant
- Basin designed with o-rings to provided a water tight seal
- Basin cover comes with a removable filter screen for easy cleaning
- Cover comes with 1-1/2” FNPT discharge, a 1-1/2” FNPT intake opening, and a 2” FNPT vent opening
- IAPMO listed basin
- Pre-assembled, ready to be installed



The “DRAINOSAUR” removes water from laundry trays, lavatory sinks, wet bar sinks, dehumidifiers, air conditioners (condensate), water softeners, etc. Installs above floor, no need to dig a sump. Unit is pre-assembled and ready to install.



# WRS-6

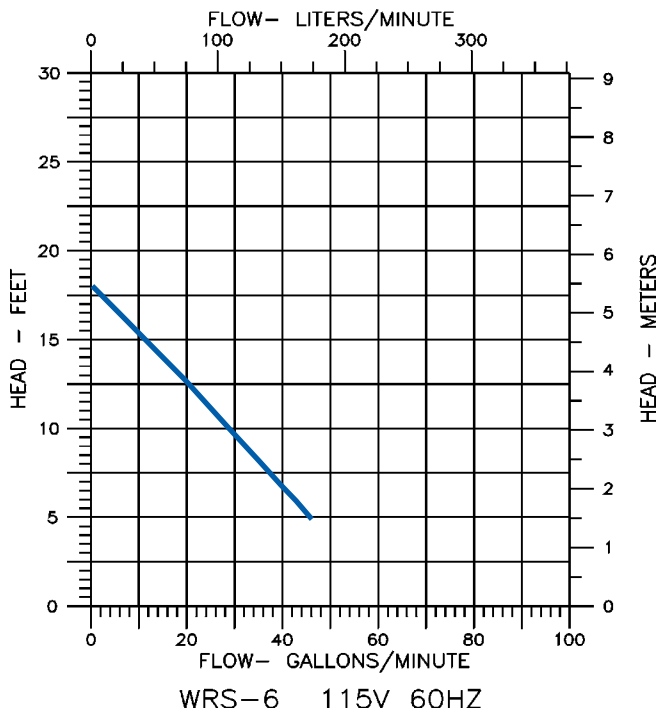


NOTE: ( ) dimensions are centimeters

## Specifications

Model No.	Item No.	Discharge	Listing	HP	Volts	Hz.	Running Amps/Watts	Flow (GPM @ Head)			Shutoff Head (ft.)	Weight (lbs.)	Dimensions (H x L x W) (in.)
								5'	10'	15'			
WRS-6	506055	1-1/2"	UL/CSA/IAPMO	1/3	115	60	9/720	45	29	12	18'	26	14.5 x 15.56
WRS-6	506056	1-1/2"	UL/CSA/IAPMO	1/3	230	50/60	4.5/720	45	29	12	18'	27	14.5 x 15.56

UL/CSA listing for pump only



## Pump Construction

Motor Housing	Epoxy-coated Cast Iron
Impeller Material	Nylon
Impeller Type	Non-Clog
Volute	Polypropylene
Power Cord	18/3 SJTW
Mechanical Shaft Seal	Nitrile w/Carbon & Ceramic Faces
Fasteners	Stainless Steel
Shaft	CRS
Bearings	Upper and Lower Sintered Sleeve Bearings

## Basin Construction

Basin Cover	Polypropylene
Basin Fluid Capacity	5 Gallons (approx.)
Discharge Size	1-1/2" FNPT
Intake Size	1-1/2" FNPT
Vent Size	2" FNPT