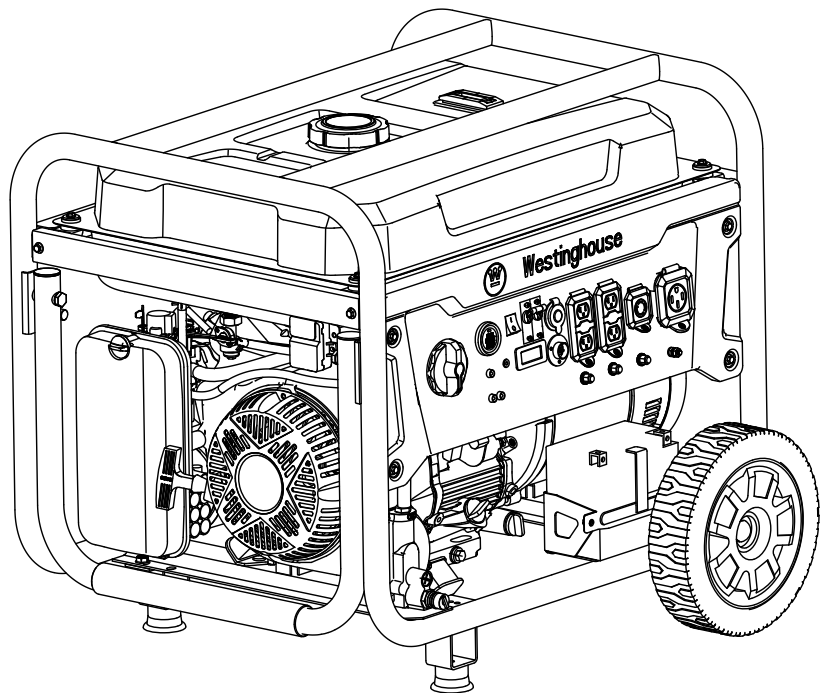




User Manual

WGen11500TFc



DO NOT RETURN THIS PRODUCT TO THE STORE

If you have questions or need assistance, please call customer service at 855-944-3571.

TABLE OF CONTENTS

| | |
|---|-----------|
| Introduction..... | 2-3 |
| Safety | 4-12 |
| Electrical..... | 13 |
| Components | 14-15 |
| Assembly..... | 16-17 |
| Operation..... | 18-27 |
| Care and maintenance | 27-35 |
| Troubleshooting..... | 36 |
| Accessories | 37 |
| Hotline de service/Company Address..... | Back Page |

INTRODUCTION

⚠ WARNING Operating, servicing, and maintaining this equipment can expose you to chemicals including engine exhaust, carbon monoxide, phthalates, and lead, which are known to the State of California to cause cancer and birth defects or other reproductive harm. To minimize exposure, avoid breathing exhaust, and wear gloves or wash your hands frequently when servicing this equipment. For more information go to www.P65warnings.ca.gov.

DISCLAIMERS

All information, illustrations, and specifications in this manual were in effect at the time of publishing. The illustrations used in this manual are intended as representative reference views only. We reserve the right to make any specification or design change without notice.

ALL RIGHTS RESERVED

All rights reserved. No reproduction allowed in any form without written permission from Westinghouse Outdoor Power Equipment.

⚠ DANGER Read this manual before using or performing maintenance on this product. Failure to follow the instructions and safety precautions in this manual can result in serious injury or death.



UPDATES

The latest User Manual for your Westinghouse products can be found under our support tab. wpowereq.com/pages/manuals

Or scan the following QR code with your smartphone camera to be directed to the link.



PRODUCT REGISTRATION

For trouble-free warranty coverage, it is important to register your Westinghouse product.



You can register by:

- Completing and mailing the product registration card included in the carton.
- Registering your product on-line at: wpowereq.com/pages/warranty-registration
- Scanning the above QR code with your smartphone camera to be directed to the mobile registration link.

For Your Records

Date of Purchase: _____
Model Number: _____
Serial Number: _____
Place of Purchase: _____

- Sending the following product information to:

Westinghouse Outdoor Power
Warranty Registration
777 Manor Park Drive
Columbus, OH 43228

IMPORTANT: Keep your purchase receipt for trouble-free warranty coverage.

INTRODUCTION

SPECIFICATIONS

AC Voltage..... 120V/240V
Power (Running)... 11500W (Gasoline), 10500 (Propane),
9500 (Natural Gas)
Power (Peak)..... 14500W (Gasoline), 13500 (Propane),
12000 (Natural Gas)
AC Current..... 95.8/47.9A (Gasoline),
87.5/43.75A (Propane),
78.3/39.1A (Natural Gas)
DC Voltage 5V
DC Current 2x2.1A
Frequency..... 60 Hz
Phase Single
RPM..... 3600
Power Factor 1.0

Insulation Class H
Maximum Ambient Temperature..... 104°F (40°C)
Fuel Type..... Unleaded gasoline (87–93 Octane)
Do not use E15 or E85 fuel in this product.
Fuel Capacity..... 9.5 gallons (36 liters)
Oil Capacity 1.26 quarts (1.2 liters)
Oil Type SAE 10W-30
Spark Plug F7TC
Spark Plug Gap 0.03 in. (0.70 mm)
Valve Intake Clearance..... 0.0031 – 0.0047 in.
(0.08 – 0.12 mm)
Valve Exhaust Clearance 0.0051 – 0.0067 in.
(0.13 – 0.17 mm)
AC Grounding System..... Bonded to frame

NOTICE This product is designed and rated for continuous operation at ambient temperatures between 23°F (–5°C) and 104°F (40°C). If needed, this product can be operated in extremely hot or extremely cold temperatures for short periods. If the product is exposed to extreme temperatures during storage, it should be brought back within the optimal temperature range before operation. This product must always be operated outdoors in a well-ventilated area and far away from doors, windows, and other vents.

Maximum wattage and current are subject to and limited by such factors as fuel BTU content, ambient temperature, altitude, engine conditions, etc. Maximum power decreases about 3.5% for each 1,000 feet above sea level, and will also decrease about 1% for each 10°F (6°C) above 60°F (16°C) ambient temperature.

NOTICE The effect of altitude on horsepower will be greater if no carburetor modification is made. A decrease in engine horsepower will decrease the power output of the generator. Contact our service team to order altitude kits.

NOTICE Thank you for choosing Westinghouse! PLEASE READ BEFORE RETURNING THIS PRODUCT FOR ANY REASON.

If you have a question or experience a problem with your Westinghouse purchase, call us at 1-855-944-3571 to speak with an agent.

SAVE THIS MANUAL FOR FUTURE REFERENCE.

HAVE QUESTIONS?
Email us at service@wpowereq.com
or call 1-855-944-3571


SAFETY


SAFETY DEFINITIONS


The words DANGER, WARNING, CAUTION, and NOTICE are used throughout this manual to highlight important information. Make sure that the meanings of this safety information is known to all who operate, perform maintenance on, or are near the generator.



This safety alert symbol appears with most safety statements. It means attention, become alert, your safety is involved! Please read and abide by the message that follows the safety alerts symbol.

 *DANGER* Indicates a hazardous situation which, if not avoided, will result in death or serious injury.

 *WARNING* Indicates a hazardous situation which, if not avoided, could result in death or serious injury.





 *CAUTION* Indicates a hazardous situation which, if not avoided, could result in minor or moderate injury.

NOTICE Indicates a situation which can cause damage to the generator, personal property, and/or the environment, or cause the equipment to operate improperly.

NOTE: Indicates a procedure, practice or condition that should be followed for the generator to function in the manner intended.

SAFETY SYMBOLS

Follow all safety information contained in this user's manual as well as the information on the product labeling.

| SYMBOL | DESCRIPTION |
|---|--|
|  | Safety Alert Symbol |
|  | Fire Hazard |
|  | Electrical Shock Hazard |
|  | Burn Hazard. Do not touch hot surfaces. |
|  | Asphyxiation Hazard |
|  | Do Not Operate in Wet Conditions |
|  | Read Manufacturer's Instructions |
|  | Maintain Safe Distance |
|  | Ground. Consult with electrician to determine grounding requirements before operation. |
|  | Carbon Monoxide |

SAFETY

IMPORTANT SAFETY INSTRUCTIONS

⚠ DANGER Generator exhaust contains high levels of carbon monoxide (CO), an invisible, odorless, and extremely poisonous gas. If you smell exhaust fumes, you are breathing carbon monoxide. But, even if you do not smell exhaust fumes you may be inhaling CO.

ONLY operate generators outside, in a well-ventilated area. NEVER operate generators indoors, doing so CAN KILL YOU IN MINUTES.

- **Correct Use** – ONLY use generators outside and downwind, far away from windows, doors and vents. ALWAYS direct exhaust away from occupied spaces. ALWAYS install battery-powered carbon monoxide detectors or plug-in carbon monoxide detectors with battery back-up in living areas. See Figure 1.

- **Incorrect Use** – NEVER use a generator in your home, garage, basement, attic, crawl space or any other fully or partially enclosed area. Areas such as these can allow dangerous levels of carbon monoxide to accumulate. An open door or a running fan WILL NOT provide adequate ventilation. See Figure 2.

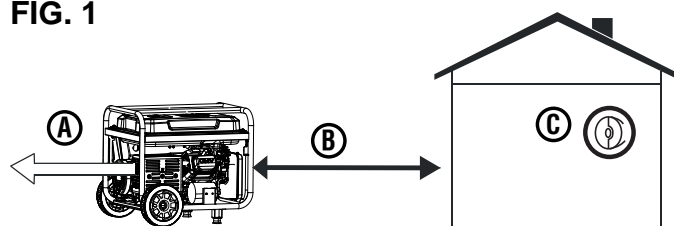
If you start feeling dizzy, weak, or sick while using the generator, move to fresh air IMMEDIATELY. Contact a doctor. You may be experiencing carbon monoxide poisoning.

⚠ DANGER Fire and electrocution hazard. DO NOT connect to a building's electrical system unless the generator and a transfer switch have been properly installed and the electrical output has been verified by a qualified electrician. The connection must isolate the generator power from utility power and must comply with all applicable laws and electrical codes. Failure to properly isolate the generator power could cause property damage and create a dangerous backfeed of electricity which could kill or seriously injure utility workers.

⚠ DANGER Electrocution hazard. NEVER use the generator in a location that is wet or damp. NEVER expose the generator to rain, snow, water spray, or standing water while in use. Protect the generator from all hazardous weather conditions. Moisture or ice can cause a short circuit or other malfunction in the electrical circuit.

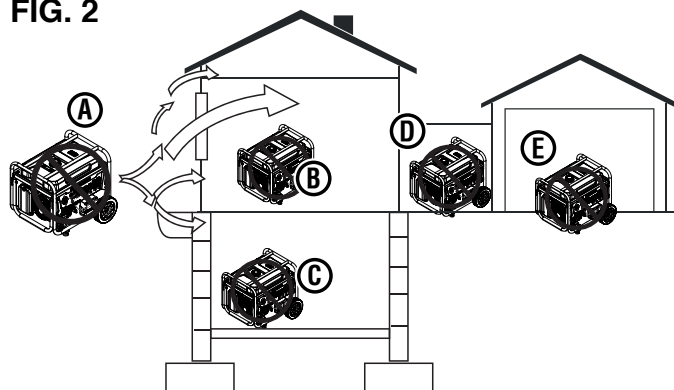
⚠ WARNING Familiarize yourself with all the instructions, safety warnings, illustrations, and specifications provided with this product. Failure to follow the manufacturer's instructions may result in electric shock, fire, and/or carbon monoxide poisoning that can lead to death or serious injury.

FIG. 1



- A - Exhaust (CO)
- B - Only use OUTSIDE and FAR AWAY from windows, doors, and vents
- C - CO detectors in living areas

FIG. 2



- A - Exhaust (CO)
- B - Living area
- C - Basement/crawlspace
- D - Entryway/porch/mudroom
- E - Garage

NOTICE Install battery-powered carbon monoxide detectors or plug-in carbon monoxide detectors with battery back-up in living areas.

- This product should ONLY be used outdoors.
- NEVER use a generator in your home, garage, basement, attic, crawl space or any other fully or partially enclosed area. Areas such as these can allow dangerous levels of carbon monoxide to accumulate. Carbon monoxide (CO), an invisible, odorless, and extremely poisonous gas CAN KILL YOU IN MINUTES.
- Only use OUTSIDE and far away from windows, doors, and vents as recommended by the US Department of Health and Human Services Centers for Disease Control and Prevention. Your specific home and/or wind conditions may require additional distance.
- The National Electrical Code requires the use of a transfer switch or other suitable transfer equipment whenever a portable generator is connected to a building's electrical system. Transfer switches isolate generator power from utility power and prevent backfeeding of electric power into the utility system.


NOTE: A transfer switch must be installed by a qualified electrician in accordance with applicable electrical codes. Some jurisdictions may require the installation to be inspected by local authorities. Keep all relevant installation, inspection, and maintenance information.


SAFETY

- Never use the generator to power medical support equipment.
- Never expose the generator to rain, snow, water spray, or standing water while in use. Store and operate the unit in a dry or covered (but not enclosed) location.
- Do not let children or untrained individuals operate the generator.
- Keep children, bystanders, and pets a minimum of 10 ft. away from a running generator.
- Maintain Safe Distance. While operating and storing, keep at least five feet of clearance on all sides of the generator, including overhead. Turn the unit off and allow it to cool a minimum of 30 minutes before storage. Heat created by the muffler and exhaust gases could be hot enough to cause serious burns and/or ignite combustible objects.
- Do not operate the unit in areas where combustible or hazardous materials are stored including gasoline and natural gas filling stations.
- Do not operate the generator while barefoot, with wet hands or feet, while standing in water or in wet conditions.
- Do not use this unit when you are tired or under the influence of drugs, alcohol, or medication.
- Burn Hazard. Do not touch hot surfaces.
- Do not contact the muffler or engine. They are very HOT and will cause severe burns. Do not put body parts or any flammable or combustible materials in the direct path of the exhaust.
- Keep hands, fingers, feet, and other body parts away from all moving parts of the generator.
- Do not connect worn or damaged electrical cords to the generator. NEVER touch frayed or exposed wires.
- Do not operate the generator on an incline. The unit should always be placed on a flat stable surface.
- Check the physical condition of the product prior to each use. Look for loose bolts, fluid leaks, and other signs of wear. Replace all damaged items. For replacement parts or assistance, contact our customer service team.
- For optimal performance, use the generator in temperatures between 23°F (–5°C) and 104°F (40°C) with a maximum relative humidity of 90%.
- Before starting the generator, check all fluids (oil and gasoline).
- Do not remove the oil dipstick or fuel cap when the generator is running.
- Securely tighten the oil dipstick after adding oil and the fuel cap after adding gasoline.
- Avoid skin contact with engine oil or gasoline. Wear protective clothing and equipment. Wash all exposed skin with soap and water. Prolonged skin contact with gasoline or engine oil may cause severe skin irritation and other adverse reactions.
- Generator's vibrate and bounce during normal operation. Check the generator and all of the cords connected to it for any damage that may have resulted from the vibration. Replace or repair damaged items as needed. Do not use the generator or any items that show signs of damage.
- All electrical tools and appliances operated from this generator must be properly grounded by use of a third wire or be double-insulated.
- Before transporting the generator, disconnect the spark plug boot, drain the fuel tank and properly restrain the unit.
- Fuel or oil may leak from the generator during transport. Place a towel, plastic sheet, or absorbent pad beneath the unit to protect your vehicle.
- To prolong the life of this product, follow the instructions in the *Care and Maintenance* section of this manual.
- Replace damaged or worn items with recommended or equivalent replacement parts. Using an incorrect or incompatible part might create a hazard that could result in serious personal injury.
- Always remove any tools or other service equipment used during maintenance away from the generator before operating.

GROUNDING

See Figure 3.

 **WARNING** Shock hazard. Failure to properly ground the generator can result in electric shock.

 **NOTICE** Only use grounded 3-prong extension cords, tools, and appliances, or double-insulated tools and appliances.

The generator neutral is bonded to the frame. There is a permanent conductor between the generator (stator wire) and the frame. If this generator will be used only with cord and plug equipment connected to the receptacles mounted on the generator, National Electric Code does not require that the unit be grounded. However, other methods of using the generator may require grounding to reduce the risk of shock or electrocution.

Before using the ground terminal, consult a qualified electrician, electrical inspector, or local agency having jurisdiction for local codes or ordinances that apply to the intended use of the generator.

DISCONNECTING THE BONDED NEUTRAL

See Figure 3.

The bonded neutral should only be removed under specific circumstances. Consult a qualified electrician to determine if circumstances require disconnecting the bonded neutral.

- Remove the alternator cover.
- Remove the green/yellow bonded jumper wire from the ground bolt and unmarked terminal connection. Reinstall the bolts and tighten securely.

SAFETY

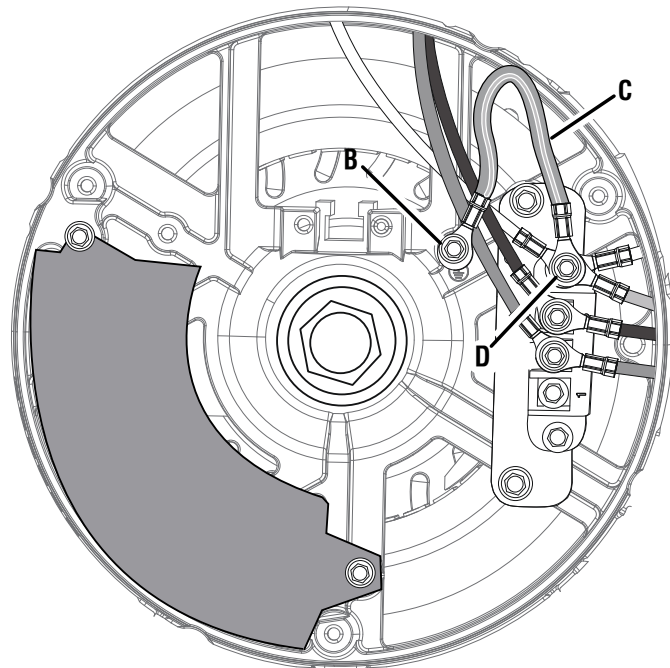
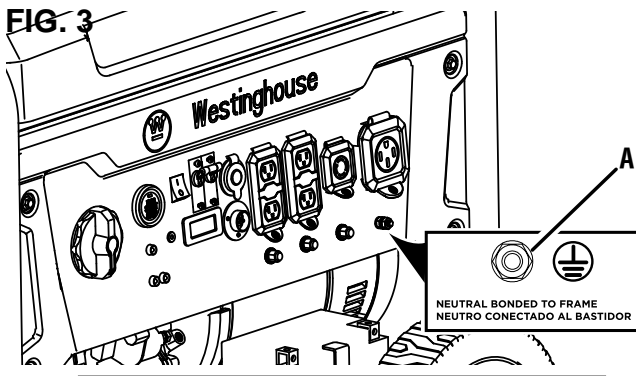
- Keep the bonded jumper wire in a secure location so that the generator can be returned to the original configuration.

NOTICE Apply a new “NEUTRAL UNBONDED” Label over the “NEUTRAL BONDED TO FRAME” label on the front of the control panel.

SAFETY PRECAUTIONS FOR GASOLINE AND GASOLINE VAPOR

DANGER Fire and explosion hazard. Gasoline is highly explosive and flammable and can cause severe burns or death.

WARNING Fire and Burn Hazard. NEVER loosen or remove the fuel cap while the generator is running. Turn the unit off and allow it to cool for at least five minutes before adding gasoline. Loosen the fuel cap slowly.



- A - Ground terminal
- B - Ground bolt
- C - Bonded jumper wire (green/yellow)
- D - Unmarked terminal connection

WARNING In case of a gasoline fire, do not attempt to extinguish the flame unless the fuel selector switch is in the **OFF** \odot position. Introducing an extinguisher to a generator with an open fuel valve could create an explosion hazard.

- Fire Hazard. Gasoline is highly flammable. Handle with care.
- Never use gasoline as a cleaning agent.
- Gasoline is a skin irritant and needs to be cleaned up immediately if it comes in contact with the skin.
- Do not store gasoline near furnaces, water heaters, or any other appliances that produce heat or have automatic ignitions.
- Keep gasoline away from sparks, open flames, pilot lights, heat, and other sources of ignition.
- Store any containers containing gasoline in a well-ventilated area, away from any combustibles or source of ignition.
- ALWAYS store gasoline in a container approved for gasoline. Unapproved containers can break or deteriorate allowing gasoline or gasoline vapors to escape which can create a serious hazard.
- Gasoline has a distinctive odor, this will help detect potential leaks quickly.
- Gas vapors can cause a fire if ignited.
- Do not smoke when handling fuel, adding fuel to the generator, or emptying the gas tank.
- Wear eye protection while refueling.
- Before adding fuel to the generator, turn the unit off and allow it to cool a minimum of five minutes. If necessary, move the unit to level ground.
- Do not remove the fuel tank cap when the generator is running.
- Loosen the fuel cap slowly to safely release pressure, keep gasoline from escaping around the cap, and to avoid the heat from the muffler igniting fuel vapors.
- NEVER fill the generator's gasoline tank beyond the maximum fill ring on the fuel screen. Keeping gasoline levels at or below the fill ring will allow for fuel expansion. Overfilling the fuel tank can result in a sudden overflow of gasoline and result in spilled gasoline coming in contact with HOT surfaces.
- Spilled fuel can ignite. Wipe up spills immediately and allow area to dry before operating the generator. NEVER attempt to burn off spilled fuel.
- Securely tighten the fuel cap after adding gasoline.
- Do not cover the fuel cap while the generator is in operation. Covering the cap may cause the engine to fail or damage the product.
- Drain fuel before storing the unit. Store the unit and the fuel separately in well-ventilated areas away from

SAFETY

sparks, open flames, pilot lights, heat, and other sources of ignition.

- Turn the unit off and allow it to cool a minimum of 30 minutes before draining fuel.

LIQUID PETROLEUM GAS (LPG/PROPANE)

⚠ WARNING Fire and explosion hazard. Never use a gas container, LPG/propane hose, propane cylinder or any other fuel item that appears to be damaged. If there is a strong smell of propane while operating the generator, fully close the propane cylinder valve immediately. Once the propane is off, use soapy water to check for leaks on the hose and connections on the tank valve and the generator. Do not smoke or light a cigarette or check for leaks using any open flame source such as a match or lighter. If a leak is found, contact a qualified technician to inspect and repair the LPG/propane system before using the generator.

⚠ CAUTION Fire and explosion hazard. Only use approved Propane cylinders with an Overfilling Prevention Device (OPD) valve. Always keep the tank in a vertical position with the valve on top and placed at ground level on a flat surface. Do not allow tanks to be near any heat source. When transporting and storing, turn the propane cylinder valve to the fully closed position and disconnect the tank. Make sure to always cover the generator inlet and tank outlet with protective plastic caps.

- LPG/Propane is highly flammable and explosive.
- In case of a LPG/Propane fire, DO NOT attempt to extinguish the flame if the fuel valve is in the gas position. Introducing an extinguisher to a generator with an open fuel valve could create an explosion hazard.
- LPG/Propane can settle in low places because it is heavier than air.
- LPG/Propane has a distinctive odor added to help detect potential leaks. If there is a smell, **DO NOT** use the engine.
- Always keep a propane cylinder in an upright position.
- When exchanging propane cylinders, be sure the tank valve is the same type.
- LPG/propane will burn the skin. Prevent skin contact at all times.
- Keep the propane cylinder away from the generator exhaust.
- Large (500 – 1000 gallon) propane cylinders will require a certified plumber to install the fuel line to the generator and the loose regulator is not used (the regulator that is attached to the fuel tank). The pressure as measured at the regulator mounted to the generator must be 7 in. to 14 in. of water column. A certified plumber must ensure

that the pressure is correct or install a step down regulator if needed.

- Make sure the generator and propane cylinder are on a flat surface before operating.
- If there is a propane odor do not start the unit because there may be a potential leak. Never place a propane cylinder near the engine exhaust.
- When transporting, make sure the propane cylinder and LPG/propane hose are not attached to the generator.
- Store propane cylinder away from sparks, open flames, pilot lights, heat, and other sources of ignition.
- Do not store propane cylinder near furnaces, water heaters, or any other appliances that produce heat or have automatic ignitions.

NATURAL GAS (NG)

⚠ WARNING Fire and explosion hazard. Never use a natural gas supply line, natural gas hose, or any other fuel item that appears to be damaged. If there is a strong smell of natural gas while operating the generator, close off all gas sources immediately. Once the natural gas is off, use soapy water to check for leaks on the hose and connections on the branch supply and the generator. Do not smoke or light a cigarette or check for leaks using any open flame source such as a match or lighter. If a leak is found, contact a qualified plumber to inspect and repair the natural gas system before using the generator.

⚠ WARNING Natural gas (NG) is highly explosive and flammable and can cause severe burns or death.

⚠ WARNING Do not route the natural gas hose under a deck, floating patio, or other structure. The hose must be visible.

⚠ WARNING For proper installation, consult a licensed professional natural gas plumber.

⚠ WARNING Turn off the gas at the natural gas supply line when the generator is not in use.

SAFETY

NOTICE

Generator installation must strictly comply with all applicable federal, state, and local laws as well as codes and regulations. Laws and regulations pertaining to the installation of this equipment are routinely updated and may vary based on relevant local jurisdiction, how the generator will be used, and the installation site. Check with the authority having local jurisdiction (AHJ) for a complete list of laws, regulations, and codes that may apply to you. Information in this manual should never be interpreted in a way that conflicts with any local, state, or federal laws. When in doubt, always abide by local laws.

- Inspect natural gas hose before each use and replace if damaged.
- Only use natural gas hoses that comply with local, state, or federal laws. Hose requirements may vary in different regions. Check with the authority having local jurisdiction (AHJ).
- Verify that the natural gas supply line from the house was properly installed by a qualified plumber and that the natural gas hose is securely connected before using the generator.
- Before starting the engine, purge the natural gas supply line and perform a leak test.
- Always disconnect the generator and natural gas hose from the natural gas supply line when the gas supply is being pressure tested.
- Keep the natural gas hose and natural gas supply line away from the muffler and other heated surfaces.
- Keep a fire extinguisher near the generator at all times.

LEAK TESTING

See Figure 4.

NOTICE

Connections on the hose and the natural gas/propane inlet were tested at the factory to make sure there were no gas leaks. However, shipping and handling may have loosened connections. We recommend that you always test for leaks before using the generator.

To test for natural gas (NG) leaks:

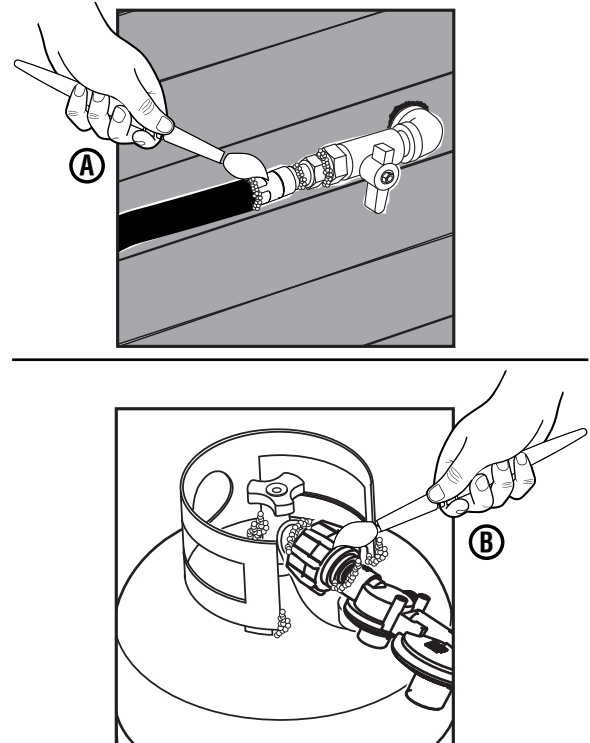
- Connect the natural gas hose to the natural gas/propane inlet on the generator and to the natural gas supply line.
- Brush the inlet, hose connections, and gas supply valve with a soapy solution made of a 20/80 mixture of mild soap and water.
- If bubbles begin growing, there is a leak.

- If the leak is at the inlet, contact customer service. **DO NOT USE THE GENERATOR.**
- If the leak is at the hose connections, reinstall the hose securely and perform the check again. If the leaks persist, **DO NOT USE THE GENERATOR.**
- If the leak is at the natural gas supply line, **DO NOT USE THE GENERATOR.**

To test for LPG/Propane leaks:

- Connect the LPG/propane hose to the natural gas/propane inlet on the generator and to the cylinder valve.
- Open the cylinder valve. If you hear a rushing sound, immediately turn off the cylinder valve. This noise indicates a significant leak at the connection. Replace the cylinder or have it repaired.
- Brush the inlet, hose connections, and LP gas cylinder with a soapy solution made of a 20/80 mixture of mild soap and water.
- If bubbles begin growing, there is a leak.
 - If the leak is at the inlet, contact customer service. **DO NOT USE THE GENERATOR.**
 - If the leak is at the hose connections, reinstall the hose securely and perform the check again. If the leaks persist, **DO NOT USE THE GENERATOR.**
 - If the leak is at the cylinder, do not use or move the cylinder. Contact the fire department or the gas supplier.

FIG. 4



A - Leak testing with soapy water (natural gas)
B - Leak testing with soapy water (propane)

SAFETY

IMPORTANT INFORMATION FOR THE CO SENSOR

The CO Sensor monitors for the accumulation of poisonous carbon monoxide gas around the generator when the engine is running. If increasing levels of CO gas are detected, the CO Sensor automatically shuts down the engine.

The CO Sensor will also detect the accumulation of carbon monoxide from other fuel burning sources used in the area of operation. For example, if the exhaust of fuel burning tools is pointed at a CO Sensor-equipped generator, a shut-off may be initiated due to rising CO levels. This is not an error. Hazardous carbon monoxide has been detected. Move and redirect any additional fuel burning sources to dissipate carbon monoxide away from personnel and occupied buildings.

NOTE: Remote start-equipped generators must be restarted with the START/STOP button on the control panel after an automatic shut-down occurs.

Generators are intended to be used outdoors, far from occupied buildings and the exhaust pointed away from personnel and buildings. If misused and operated in a location that results in the accumulation of CO, like in a partially enclosed area, the CO Sensor shuts off the engine and the RED indicator light will flash notifying the user that there are unsafe levels of carbon monoxide.

If the generator shuts off and the RED indicator light flashes, leave the area immediately. Wait for the carbon monoxide to dissipate and the RED indicator light to turn off before returning to the affected area. Once it is safe to return, read the Action Label for further steps to take. The CO Sensor **DOES NOT** replace carbon monoxide alarms. Install battery-powered carbon monoxide alarm(s) in your home.

⚠ WARNING Automatic shutoff accompanied with a flashing RED light in the CO Sensor portion of the control panel is an indication that the generator was improperly located which allowed carbon monoxide to accumulate to unsafe levels. If you start to feel sick, dizzy, weak, or carbon monoxide detectors in your home indicate an alarm, get to fresh air immediately. Call emergency services. You may have carbon monoxide poisoning.

UNDERSTANDING THE CO SENSOR'S INDICATOR LIGHTS

See Figure 5.



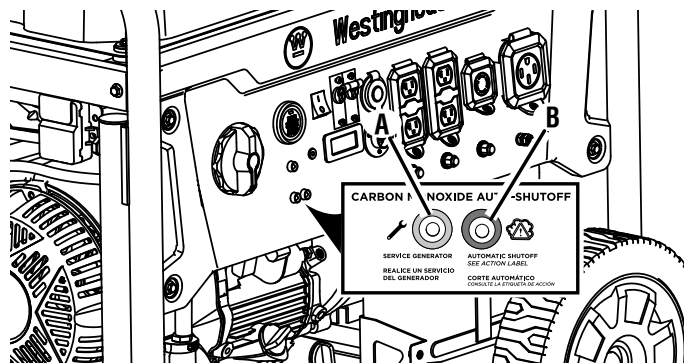
| COLOR | DESCRIPTION |
|---|--|
| <p>RED</p>  | <p>Unsafe levels of carbon monoxide accumulated around the generator. After shut-off, the RED indicator light in the CO Sensor area of the control panel will flash to provide notification that the generator was shut-off due to carbon monoxide levels rising above a safe threshold. The RED light will flash for at least five minutes after a CO shut-off.</p> <p>When it is safe to do so, move the generator to an open, outdoor area far away from occupied spaces with exhaust pointed away. Once relocated to a safe area and the red light is off, the generator can be restarted. Introduce fresh air and ventilate the area where the generator had shut down.</p> |
| <p>YELLOW</p>  | <p>A CO sensor system fault occurred. When a system fault occurs, the generator is automatically shut down and the YELLOW indicator light in the CO auto-shutoff area of the control panel will flash to provide notification that a fault has occurred. The YELLOW light will flash for at least five minutes after a fault. The generator can be restarted but may continue to shutoff. A CO sensor fault can only be diagnosed and repaired by an authorized Westinghouse service center.</p> |

FIG. 5



- A - Service generator LED
- B - Automatic shutoff LED

SAFETY

SAFETY LABELS AND DECALS

The following information is on your generator's labels and decals.

① Action Label

If unsafe levels of carbon monoxide accumulate around the generator, automatic shutoff will occur. If the unit shuts off, leave the area immediately. When it is safe to return, do the following:

- Move the generator to an open, outdoor area.
- Point exhaust away.
- Don't run generator in enclosed areas (e.g. not in house or garage).
- Move to fresh air.
- Get medical help if sick, dizzy or weak.
- **WARNING** – Tampering with carbon monoxide sensor could result in hazardous condition.

② Carbon Monoxide

- Using a generator indoors **CAN KILL YOU IN MINUTES**. Generator exhaust contains carbon monoxide. This is a poison you cannot see or smell.
- **NEVER** use inside a home or a garage, **EVEN IF** doors and windows are open.

③ Take Generator Outside

Generators are intended to be used outdoors.

④ California Proposition 65

Cancer and reproductive harm – www.P65Warnings.ca.gov/product

⑤ Pinch Point Hazard

Keep fingers and hands away from pinch point.

⑥ Adding Oil

Add engine oil until the oil level is within safe operating range.

⑦ Specifications

(See page 3)

⑧ Hot Surface

Do not touch.

⑨ Choke On/Off

The generator has a two position choke.

⑩ Performance Label

(See page 3)

1 ACTION LABEL

ETIQUETA DE FUNCIONAMIENTO
ETIQUETA D'ACTION

- MOVE GENERATOR TO AN OPEN, OUTDOOR AREA.
- POINT EXHAUST AWAY.
- DON'T RUN GENERATOR IN ENCLOSED AREAS (E.G. NOT IN HOUSE OR GARAGE).
- MOVER EL GENERADOR A UN ÁREA ABIERTA, EN EXTERIORES
- ORIENTAR EL TUBO DE ESCAPE HACIA FUERA.
- NO ACTUARA EL GENERADOR EN ÁREAS CERRADAS (P. EJ. EN UNA CASA O GARAJE)
- DÉPLACER LA GÉNÉRATRICE DANS UN ESPACE EXTÉRIEUR OUVERT
- DIRIGER L'ÉCHAPPEMENT LOIN DE VOUS
- NE PAS FAIRE FONCTIONNER LA GÉNÉRATRICE DANS DES ENDROITS FERMÉS (COMME DANS LA MAISON OU LE GARAGE)

WARNING
ADVERTENCIA
AVERTISSEMENT

TAMPERRING WITH CARBON MONOXIDE SENSOR COULD RESULT IN HAZARDOUS CONDITION
HACER ALTERACIONES CON SENSOR DE MONÓXIDO DE CARBONO PODRÍA OCASIONAR CONDICIONES PELIGROSAS
L'ALTERATION DE CAPTEUR DE MONOXYDE DE CARBONE PEUT ENTRAÎNER DES CONDITIONS DANGEREUSES

+

• MOVE TO FRESH AIR.
• GET MEDICAL HELP IF SICK, DIZZY OR WEAK.

• MOVER AL AIRE FRESCA
• OBTENER ATENCIÓN MÉDICA SI SE SIENTE ENFERMO, MAREADO O DÉBIL.

• VOUS REVENIR À L'AIR FRAIS
• CONSULTER UN MÉDECIN SI VOUS ÊTES MALADE, ÉTOURDI OU FAIBLE

2 DANGER

USING A GENERATOR INDOORS CAN KILL YOU IN MINUTES. GENERATOR EXHAUST CONTAINS CARBON MONOXIDE. THIS IS A POISON YOU CANNOT SEE OR SMELL.

NEVER USE INSIDE A HOME OR GARAGE, EVEN IF DOORS AND WINDOWS ARE OPEN.

ONLY USE OUTSIDE AND FAR AWAY FROM WINDOWS, DOORS, AND VENTS.

DANGER PELIGRO

Utiliser un générateur à l'intérieur PEUT VOUS TUER EN QUELQUES MINUTES.
Les gaz d'échappement du générateur contiennent du monoxyde de carbone. C'est un gaz toxique invisible et inodore.

NE JAMAIS utiliser à l'intérieur d'une maison ou d'un garage, MÊME SI les portes et les fenêtres sont ouvertes.
Utiliser UNIQUEMENT à l'EXTÉRIEUR et loin des fenêtres, portes et ventilations.

Si usa un generador en interiores MORRÁ EN POCOS MINUTOS. El escape del generador contiene monóxido de carbono. Es un veneno que no tiene olor ni se puede ver.

NUNCA lo use dentro de una casa o garaje. AUN SI las puertas y ventanas están abiertas.
Solo úsalo EN EXTERIORES y lejos de ventanas, puertas y ductos de ventilación.

3 TAKE GENERATOR OUTSIDE

Generators are intended to be used outdoors, far from occupied buildings and the exhaust pointed away from personnel and buildings. This generator is equipped with a carbon monoxide auto-shutoff system (CO Sensor). The CO Sensor monitors for the accumulation of poisonous carbon monoxide (CO) gas around the generator when the engine is running. If the generator is operated in a location that results in the accumulation of CO and increasing levels of CO gas are detected, the CO Sensor is designed to shut down the engine and notify the user with a red indicator light.

THE CO SENSOR DOES NOT REPLACE CARBON MONOXIDE ALARMS.

Install battery-powered carbon monoxide alarm(s) in your home or at a job. Carbon monoxide detectors with battery back-up in living areas.

Refer to the User Manual and Action Label located on top of generator for assist to take.

Disconnecting or modifying the CO sensor will make the generator inoperable.

4 WARNING: Cancer and reproductive harm - www.P65Warnings.ca.gov/product

AVERTISSEMENT: Cancer et problèmes de reproduction - www.P65Warnings.ca.gov/product

ADVERTENCIA: Cáncer y daños al sistema reproductor - www.P65Warnings.ca.gov/product

5

6

7 Westinghouse

Westinghouse Outdoor Power Equipment
Columbus Ohio 43228 USA

Made in: Model:

Facteur de: Modèle:

| | | | | | |
|----------------------------|--|------------------------------------|--------------------------------------|--------------------------------------|--------------|
| Rev. Level Révision | | Power (Rated) Puissance (Nom.) | 11.5kW GAS 10.5kW LPG 9.5kW NG | Insul Class Classe D'isol. | H |
| Phase | Single | Power (Peak) Puissance (Pointe) | 14.5kW GAS 13.5kW LPG 12kW NG | Max Amb Temp Temp. Amb. Max | 40°C (104°F) |
| AC Voltage Tension CA | 120/240V | Frequency Fréquence | 60Hz | Duty Service | S1 |
| AC Current Intensité CA | 95.8/47.9A GAS 87.5/43.75A LPG 78.3/39.1A NG | RPM TR/MIN | 3600rpm | Power Factor Facteur de puissance | 1.0 |

Serial No./No. De Série

Register your product:

8 CAUTION HOT SURFACES

PRECAUCIÓN SUPERFICIES CALIENTES

ATTENTION AUX SURFACES CHAUDES

9 CHOKE OFF ON

10

| | | |
|----------------------|----------------------|---------------------|
| GASOLINE | PROPANE | NATURAL GAS |
| 11500 14500 | 10500 13500 | 9500 12000 |
| RUNNING WATTS | PEAK WATTS | RUNNING WATTS |
| PEAK WATTS | RUNNING WATTS | PEAK WATTS |

SAFETY

11 Fuel Capacity

This generator has a 9.5 gallon fuel tank. ALWAYS use CLEAN, FRESH, unleaded gasoline (87–93 octane) in this unit. Do not use E15 or E85 fuel in this product.

12 Engine Displacement

This unit has a 550 cc engine.

13 Danger Label

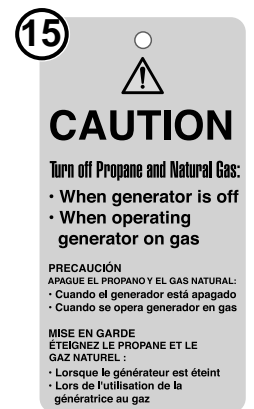
Read User Manual before operating generator. Gasoline, Natural Gas, and LPG/Propane is highly flammable. Leaking gasoline, natural gas or LPG can cause a fire or explosion if ignited. If you smell gasoline, natural gas, or propane while operating the unit, immediately shut OFF the fuel and/or propane valve. Keep gasoline container, natural gas hoses, and propane cylinder away from exhaust.

14 No Oil

Oil has been drained from the unit for shipping. Add oil before attempting to operate the unit.

15 Caution Label

Turn off propane and natural gas when the generator is off or when the generator is using gas.



| | | | |
|--|--|--|-----------------|
| 13 | ⚠ DANGER | ⚠ PELIGRO | ⚠ DANGER |
| <p>Read User Manual before operating generator. Gasoline and LPG/Propane is highly flammable. Leaking gasoline or LPG can cause a fire or explosion if ignited. If you smell gasoline or propane while operating the unit, immediately shut OFF the fuel and/or propane valve. Keep gasoline container and propane tank away from exhaust.</p> | <p>Lea el manual del propietario antes de operar el generador con GLP / propano. GLP / propano es altamente inflamable. La fuga de gas LP puede causar un incendio o una explosión si se enciende. Si huele a propano mientras está operando la unidad, apague inmediatamente la válvula de propano. Mantenga el tanque de propano lejos del escape.</p> | <p>Lisez le manuel du propriétaire avant d'utiliser le générateur sur le propane. Le propane est hautement inflammable. Une fuite de gaz peut provoquer un incendie ou une explosion si elle s'allume. Si vous sentez le propane pendant que vous utilisez l'unité, fermez immédiatement la vanne de propane. Gardez le réservoir de propane à l'écart de l'échappement.</p> | |

| | | | |
|---|---|---|----------------------------------|
| 16 | MAINTAIN AIR CLEANER | MANTENGA EL FILTRO DE AIRE | ENTRETIEN DU FILTRE À AIR |
| <p>Rinse with cleaning solvent and dry once every 50 hours (every 10 hours if operating in dusty conditions) and then immerse in clean engine oil until saturated. Squeeze out excessive oil.</p> | <p>Limpíelo según las instrucciones en el manual del usuario y séquelo una vez cada 50 horas (o cada 10 horas en condiciones cuando haya mucho polvo) entonces sumérgalo en aceite de motor limpio hasta saturarse, exprima el aceite de sobra.</p> | <p>Rincer avec un solvant nettoyant et faire sécher toutes les 50 heures (toutes les 10 heures en cas de conditions poussiéreuses), puis immerger dans de l'huile moteur propre jusqu'à saturation. Serrer pour enlever l'excédent d'huile.</p> | |

| | | | | |
|-----------|---|---|-----------|--------------------------------|
| 17 | FUEL ON / COMBUSTIBLE EN ON MARCHE | FOR TECHNICAL ASSISTANCE or SERVICE CALL TOLL 1-855-944-3571 | 18 | 3 YEAR LIMITED WARRANTY |
|-----------|---|---|-----------|--------------------------------|

| | | | | | | | | | | | | |
|--|---|---|--|--|---|---|--|---------------------|-------------|-------------|-------------|-------------|
| 19 | EZ Start Instructions | Gasoline | Propane | Natural Gas | START | MANUAL START | ELECTRIC START | REMOTE START | STOP | STOP | STOP | STOP |
| <p>Inicio de gasolina Début de l'essence</p> | <p>Inicio de propano Démarrage au propane</p> | <p>Inicio de gas natural Démarrage au gas natural</p> | <p>Opciones de inicio Options de démarrage</p> | <p>Parada de gasolina Arrêt de l'essence</p> | <p>Parada de propano Arrêt de propano</p> | <p>Parada de gas natural Arrêt de gas natural</p> | <p>Parada de la batería Arrêt de la batterie</p> | | | | | |

| | | | |
|---|---|---|--|
| 20 | ⚠ DANGER | ⚠ PELIGRO | ⚠ DANGER |
| <p>Failure to follow warnings, instructions and operator's manual will result in death or serious injury. could cause electrical shock. Operate in rain or wet weather. Transfer switch must be used when connecting to a building. Never fuel unit with engine running. Always fuel in well ventilated area. Always allow unit to cool before fueling.</p> | <p>Hot muffler and exhaust gases can cause fires. Keep at least 5ft. (1.5 m) clearance from any combustibles or structures, including overhead. Exhaust contains poisonous carbon monoxide gas that can cause unconsciousness or DEATH. Install Carbon Monoxide alarms inside home.</p> | <p>No obedecer las advertencias e instrucciones y el manual del operador provocará lesiones graves o la muerte. El generador podría causar una descarga eléctrica. No opere en interiores para evitar condiciones de humedad. No opere en la lluvia o en clima húmedo. No conectar al sistema eléctrico de una casa. Nunca cargue la unidad con el motor en marcha. Cargue siempre en un área bien ventilada. Siempre deje que la unidad se enfríe antes de cargar combustible.</p> | <p>The non-respect des avertissements, des instructions et du manuel de l'utilisateur entraînera la mort ou des blessures graves. Le générateur pourrait provoquer un choc électrique. Ne courrez pas à l'intérieur pour éviter les conditions humides. Ne vous connectez pas au système électrique d'une maison. Ne faites jamais de carburant avec le moteur en marche. Faites toujours le plein dans un endroit bien ventilé. Laissez toujours l'appareil refroidir avant de faire le plein. Pour les équipements électriques uniquement. Une mauvaise prise à la terre du générateur peut entraîner une électrocution.</p> |

ELECTRICAL

GENERATOR CAPACITY

NOTICE Do not overload the generator's capacity. Exceeding the generator's wattage/ampere capacity can damage the generator and/or electrical devices connected to it.

Review the **Specifications** for this generator and record the running (continuous) and peak (starting) watts. In general the higher the wattage, the more devices can be powered at the same time. The total power requirements of all connected devices must be considered. Power requirements are often listed on a device's data label or nameplate.

To determine power requirements:

- Choose the devices you want to power simultaneously.
- Record and total the running (continuous) watts of each device. The generator must continuously produce this amount of wattage to keep the devices running.
- Record the peak (starting) watts for each device. This is the momentary surge of power required to start electric motors in some tools and appliances.
- Select the device with the highest peak (starting) wattage. Add the peak (starting) watts for that device to the total running (continuous) watts for all the connected devices to determine the total peak wattage requirement for the generator.

NOTE: Total peak wattage requirement assumes intermittent starting of devices. Adjust estimate if devices reach peak wattage at the same time.

MANAGING GENERATOR POWER

To extend the service life of the generator, use caution when adding electrical loads. Disconnect all loads before starting the generator. The safest way to manage generator power is to add loads sequentially by doing the following:

- Remove all loads and start the generator as described later in this manual.
- Connect and start the largest device or appliance. Power requirements are often listed on a device's data label or nameplate.
- Allow the generator output to stabilize. Once stable, the engine should run smoothly and the device should function properly.
- Connect and start the next largest device or appliance.
- Allow the generator output to stabilize.
- Repeat this process for each additional load.

EXTENSION CORDS

WARNING Asphyxiation hazard. Extension cords running directly into the home increase the risk of carbon monoxide poisoning through any openings. If an extension cord running directly into your home is used to power indoor items, there is a risk of carbon monoxide poisoning to people inside the home. Always use battery-powered carbon monoxide detector(s) that meet current UL 2034 safety standards when running the generator. Regularly check the detector(s) battery.

WARNING Asphyxiation hazard. When operating the generator with extension cords, make sure the generator is located in an open, outdoor area far away from occupied spaces with exhaust pointed away.

WARNING Fire and electrocution hazard. Never use worn or damaged extension cords. Damaged or overloaded extension cords could overheat, arc, and burn resulting in death or serious injury.

Before connecting an AC appliance or power cord to the generator:

- Use grounded 3-prong extension cords, tools, and appliances, or double-insulated tools and appliances.
- Make sure the tool or appliance is in good working order. Faulty appliances or power cords can create a potential for electric shock.
- Make sure the electrical rating of the tool or appliance does not exceed the rated power of the generator or the receptacle being used.

NOTICE Do not exceed the unit's capacity. Overloading the generator's wattage and/or ampere capacity could damage connected devices and critical generator components.

EXTENSION CORD SIZING

Make sure your extension cord can carry the required load. Cables that are too small may cause a voltage drop that can cause the cord to overheat or cause property damage. Refer to the cord manufacturer's guidelines for the appropriate size and length.

COMPONENTS

UNDERSTANDING YOUR GENERATOR

See Figures 6 - 7.

To reduce the risk of injury and product failure, read and understand the information in this user's manual as well as the information on the product labeling.

120 VOLT AC, 20 AMP RECEPTACLES

This unit has two single phase, 60 Hz receptacles capable of carrying a maximum of 20 amps.

120/240-VOLT AC RECEPTACLES (50 AMP)

This receptacle can supply either 120V or 240V up to 50 amps.

BATTERY CHARGING PORT

Use the battery charging port along with the included battery charger to charge the battery.

BATTERY INDICATOR

Indicates that battery power is available. Light will remain illuminated while the battery has charge.

BATTERY SWITCH

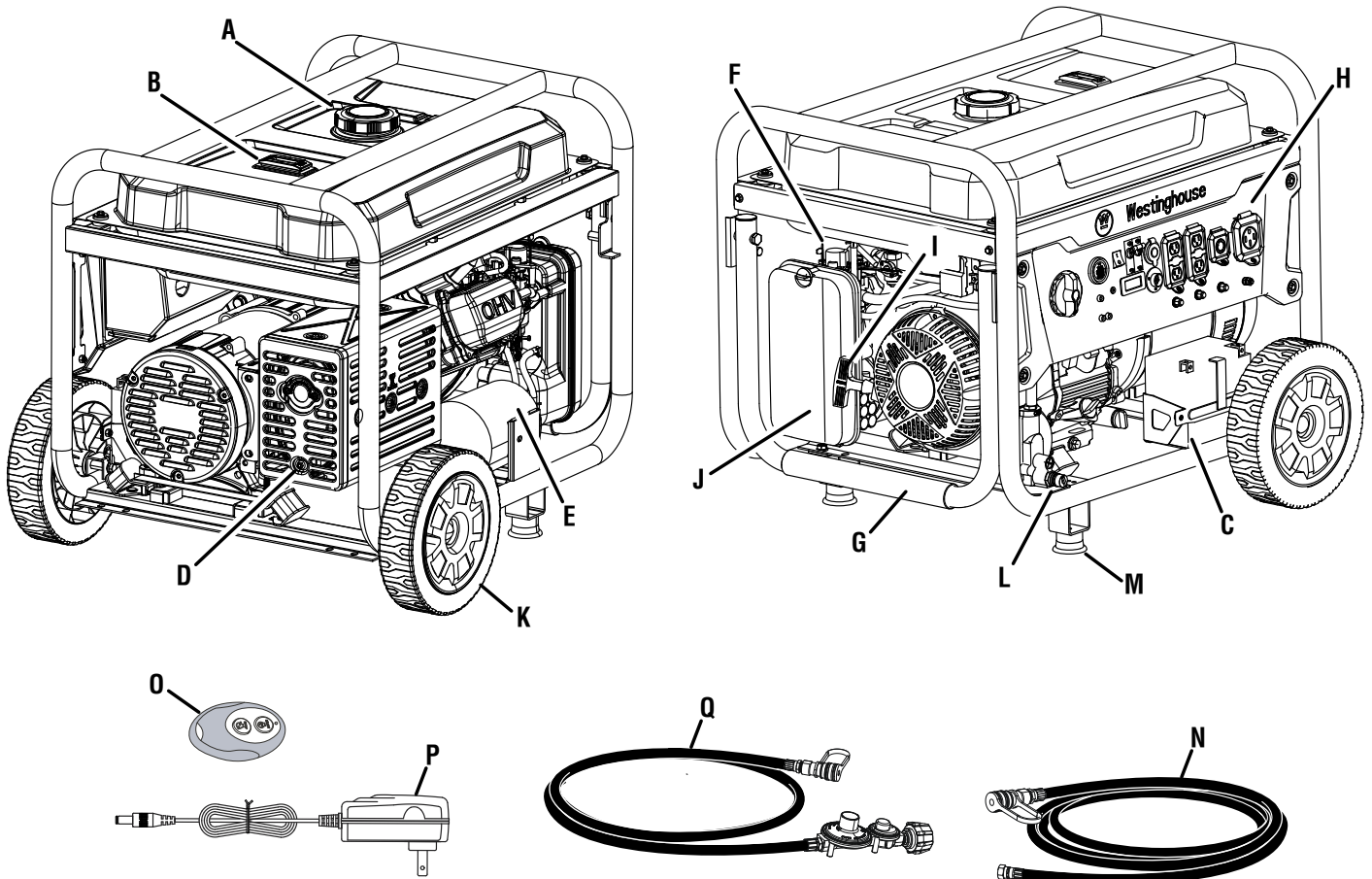
Enables or disables electric start. The battery switch must be in the ON position to use remote start.

CIRCUIT BREAKERS (20 AMP AND 30 AMP)

The circuit breakers protect individual circuits from electrical overload.

NOTE: The 20 amp circuit breaker limits the current that can be delivered through the 5–20R GFCI receptacles to 20 amps and the 30 amp circuit breaker limits the current for the L14-30R receptacle to 30 amps.

FIG. 6



- A - Fuel cap
- B - Fuel gauge
- C - Battery
- D - Muffler/spark arrestor
- E - Carbon canister
- F - Carburetor/choke

- G - Handle
- H - Control panel
- I - Recoil handle
- J - Air filter cover
- K - Wheel
- L - Natural gas/propane inlet

- M - Foot
- N - Natural gas hose
- O - Key fob
- P - Charger
- Q - LPG/propane hose

COMPONENTS

CO SENSOR INDICATOR LIGHTS

The CO Sensor monitors for the accumulation of poisonous carbon monoxide gas. If increasing levels of CO gas are detected, the CO Sensor automatically shuts down the engine.

DATA CENTER

Displays voltage, frequency, total hour meter, and run/maintenance timer.

ENGINE START/STOP BUTTON

Push once to automatically start the engine. Push again to stop the engine.

FUEL SELECTOR SWITCH

Use the fuel selector switch to choose a gasoline, propane, or natural gas fuel source.

FUEL TANK

The generator has a fuel tank with a capacity of 9.5 gallons.

NOTE: The fuel gauge on top of the tank shows the approximate fuel level.

GROUND TERMINALS

The ground terminals are used to externally ground the generator.

MAIN CIRCUIT BREAKER

The main circuit breaker controls total output of all outlets to protect the generator from overload or short circuit.

MUFFLER AND SPARK ARRESTOR

The spark arrestor prevents sparks from exiting the muffler. It must be removed for servicing.

NOTICE The spark arrestor is a safety device that prevents sparks from exiting the muffler and creating a fire hazard. In certain locations a spark arrestor may be required by law. It is the operator's responsibility to know and follow all local laws and regulations related to fire prevention requirements.

OIL DIPSTICK

Unscrew the oil dipstick to check oil levels and add oil when needed.

RECOIL HANDLE

Use the recoil handle (along with the fuel valve and choke) to manually start the generator.

REMOTE START

Use the key fob to start the generator remotely.

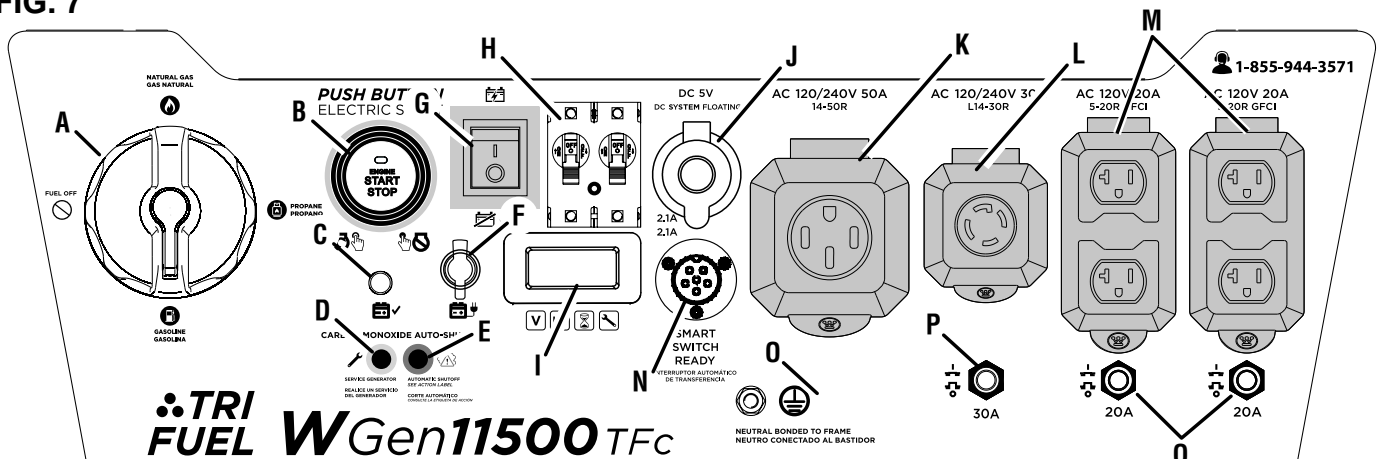
SMART SWITCH OUTLET

The smart switch outlet allows you to connect a Westinghouse ST Switch (sold separately) to the generator.

USB PORTS

Two-port 5V/2.1A USB outlet. Accepts Type A USB plugs.

FIG. 7



- A - Fuel selector switch
- B - Engine start/stop button
- C - Battery indicator
- D - Service generator LED
- E - Automatic shutoff LED
- F - Battery charging port
- G - Battery switch

- H - Main circuit breaker
- I - Data center
- J - USB ports
- K - 120/240 volt AC 50 amp receptacle
- L - 120/240 volt AC 30 amp receptacle

- M - 120 volt AC 20 amp GFCI receptacles
- N - Smart switch outlet
- O - Ground terminal
- P - 30 amp circuit breaker
- Q - 20 amp circuit breakers

ASSEMBLY

⚠ WARNING Weight hazard. Always have assistance when lifting the generator. Never attempt to lift the unit by the handle. Hold the unit by the frame and use proper lifting techniques to reduce the risk of back injury.

REMOVING CARTON CONTENTS

⚠ WARNING This product requires assembly. Do not attempt to operate this product if any items in the **INCLUDED LIST** are already assembled when you remove the carton contents. These items are not assembled by the manufacturer and should require customer assembly. Using an improperly assembled product can be hazardous and could result in serious personal injury.

- Carefully cut down the sides of the packaging and remove the carton contents.
- Inspect the carton contents. Verify that all the items in the **INCLUDED LIST** are present and undamaged.
- Recycle or dispose of the packaging materials properly.

INCLUDED LIST

See *Figure 8*.

Generator, Wheels, Axles, Washers, Hitch Pins, Bolts, Feet, Key Fob, Charger, Propane Gas Hose, Natural Gas Hose, Engine Oil (SAE 10W 30), Funnel, Spark Plug Socket Wrench, Quick Start Guide, User Manual

If any parts are missing, contact our service team at service@wpowereq.com or call 1-855-944-3571.

INSTALLING THE FEET

See *Figure 9*.

- Place the generator on a flat surface.
- Lift the handle side of the generator high enough to gain access to the crossbar on the bottom of the frame.
- Place props beneath the generator to serve as a temporary support.
- Locate the feet and bolts.
- Align the holes in a foot with the nuts in the crossbar.
- Insert bolts through the holes in the foot and nuts in the cross bar.
- Tighten bolts securely. **Do not over tighten.**
- Repeat these steps to install second foot.

INSTALLING THE WHEELS

See *Figure 10*.

- Place the generator on a flat surface.
- Lift the muffler side of the generator high enough to gain access to the bottom of the frame.
- Place props beneath the generator to serve as a temporary support.
- Locate the axles, wheels, washers, and hitch pins.

FIG. 8

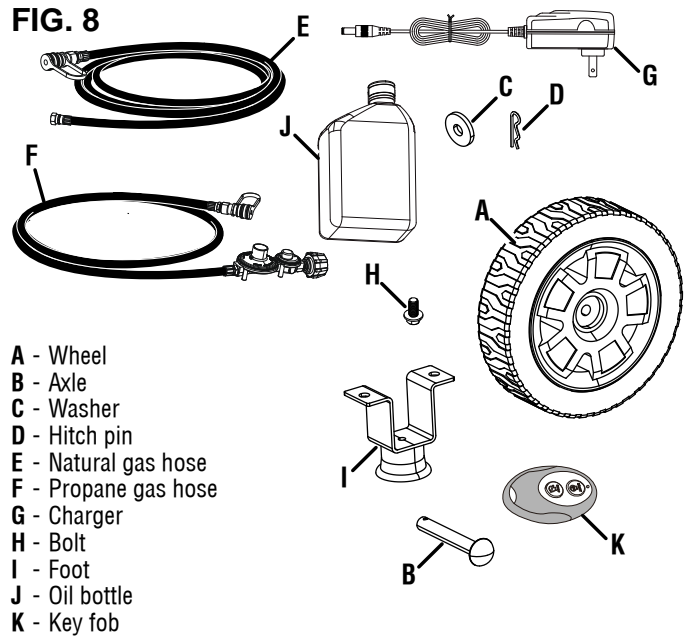


FIG. 9

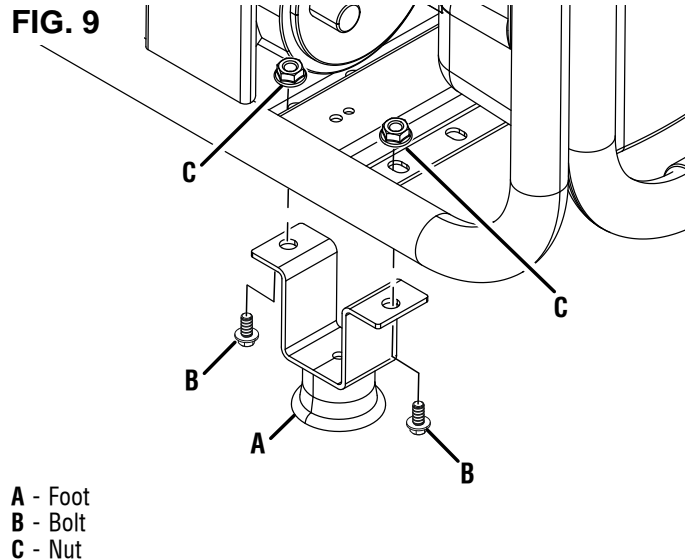
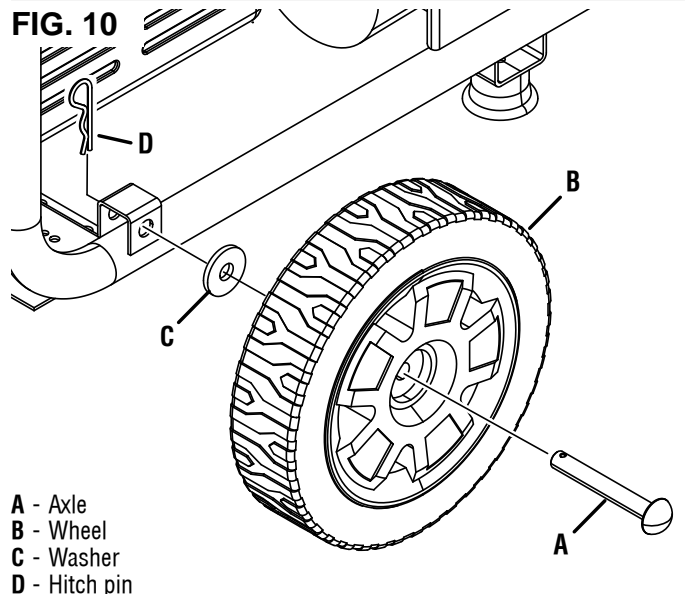


FIG. 10



ASSEMBLY

- Insert an axle through the middle of a wheel, washer, and the frame as shown.
- Push a hitch pin into the axle until the center of the pin rests against the top of the axle.
- Repeat these steps to install second wheel.

CONNECTING THE BATTERY

See Figure 11.

A quick-connect battery cable is pre-installed on the battery. Remove the cable tie securing the plugs then push firmly to connect them.

NOTE: The generator is equipped with a battery charging feature. Once the engine is running, a small charge will slowly recharge the battery.

RAISING/LOWERING THE HANDLE

See Figure 12.

- Stand in front of the unit, grasp the handle firmly and lift it to the raised position.
- With the handle in the raised position, the generator can safely be rolled from one position to another. For information regarding transporting the unit in a vehicle, refer to the **Transporting** section in *Operation*.
- To lower the handle, gently guide the handle to the down position.

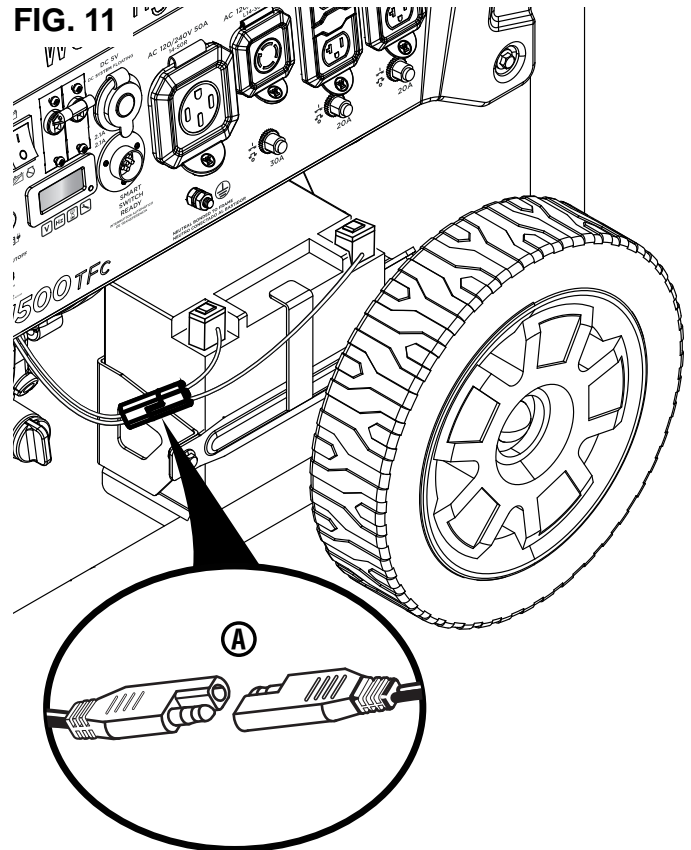
CAUTION Pinch point hazard. Do not place your hand or fingers between the handle and the generator's frame.

WARNING Do not alter or modify this product unless instructed to so in this manual or by the manufacturer. Do not use attachments or accessories that are not recommended for use with this product. Making unauthorized modifications and using incompatible accessories can damage the unit and void your warranty.

OVERVIEW

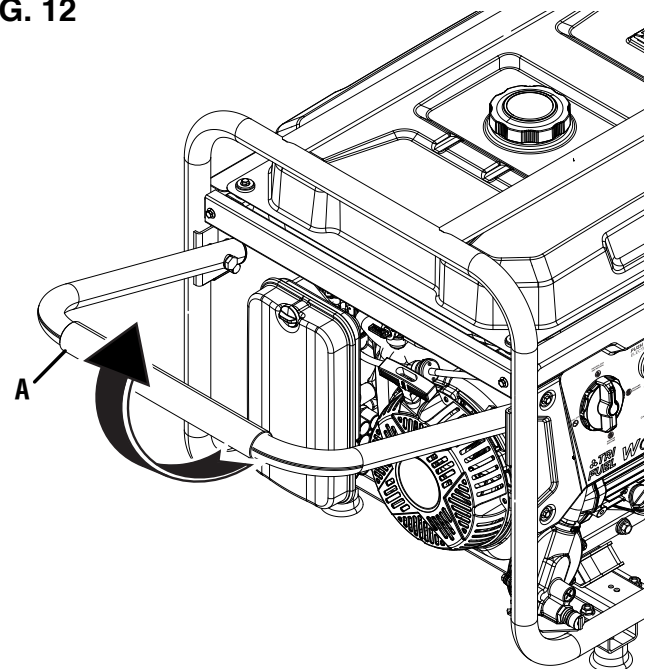
This portable generator can provide power to a wide range of items including household appliances, job-site tools, camping equipment, tailgating essentials, and much more.

NOTICE THIS GENERATOR HAS BEEN SHIPPED WITHOUT OIL. Do not attempt to crank or start engine before it has been properly serviced with recommended oil. Failure to add engine oil before starting will result in serious engine damage that is not covered under warranty.



A - Quick-connect battery cable

FIG. 12



A - Handle

OPERATION

⚠ DANGER Generator exhaust contains high levels of carbon monoxide (CO), an invisible, odorless, and extremely poisonous gas. If you smell exhaust fumes, you are breathing carbon monoxide. But, even if you do not smell exhaust fumes you may be inhaling CO.

ONLY operate generators outside, in a well-ventilated area. NEVER operate generators indoors, doing so CAN KILL YOU IN MINUTES.

- **Correct Use** – ONLY use generators outside and downwind, far away from windows, doors and vents. ALWAYS direct exhaust away from occupied spaces. ALWAYS install battery-powered carbon monoxide detectors or plug-in carbon monoxide detectors with battery back-up in living areas. **See Figure 1.**
- **Incorrect Use** – NEVER use a generator in your home, garage, basement, attic, crawl space or any other fully or partially enclosed area. Areas such as these can allow dangerous levels of carbon monoxide to accumulate. An open door or a running fan WILL NOT provide adequate ventilation. **See Figure 2.**

If you start feeling dizzy, weak, or sick while using the generator, move to fresh air IMMEDIATELY. Contact a doctor. You may be experiencing carbon monoxide poisoning.

⚠ WARNING Do not alter or modify this product unless instructed to so in this manual or by the manufacturer. Do not use attachments or accessories that are not recommended for use with this product. Making unauthorized modifications and using incompatible accessories can damage the unit and may void your warranty.

NOTICE In certain circumstances, the National Electric Code may require the generator to be grounded to an approved earth. Consult with a qualified electrician to determine grounding requirements before operation.

⚠ WARNING Avoid skin contact with engine oil or gasoline. Wear protective clothing and equipment. Wash all exposed skin with soap and water. Prolonged skin contact with gasoline or engine oil may cause severe skin irritation and other adverse reactions.

NOTICE Check the physical condition of the product prior to each use. Look for loose bolts, fluid leaks, and other signs of wear. Replace all damaged items.

NOTICE Make sure the wheels and feet are properly installed before adding fuel or oil.

KNOW HOW TO SAFELY LOCATE AND OPERATE YOUR GENERATOR

⚠ DANGER Asphyxiation hazard. Place the generator in a well-ventilated area. DO NOT place the generator near vents or intakes where exhaust fumes could be drawn into occupied or confined spaces. Carefully consider wind and air currents when positioning the generator.

⚠ WARNING Electrocutation hazard. Never use the generator in a location that is wet or damp. Never expose the generator to rain, snow, water spray, or standing water while in use. Protect the generator from all hazardous weather conditions. Moisture or ice can cause a short circuit or other malfunction in the electrical circuit. Using a generator or electrical appliance in wet conditions, such as rain or snow, or near a pool or sprinkler system, or when your hands are wet, could result in electrocution.

⚠ WARNING Fire hazard. Only operate the generator on a solid, level surface. Operating the generator on a surface with loose material such as sand or grass clippings can cause debris to be ingested by the generator that could block cooling vents or the air intake system. Allow the generator to cool for 30 minutes before transport or storage.

- Read and understand all safety information before starting the generator (see pages 4–12).
- NEVER use a generator in your home, garage, basement, attic, crawl space or any other fully or partially enclosed area. Areas such as these can allow dangerous levels of carbon monoxide to accumulate. Carbon monoxide (CO), an invisible, odorless, and extremely poisonous gas CAN KILL YOU IN MINUTES.
- DO NOT operate the generator in the back of a SUV, camper, trailer, truck bed (regular, flat, or otherwise), under stairs, next to walls or buildings, or in any other location that will not allow for adequate cooling of the generator and/or the muffler. Operating the generator in enclosed or partially enclosed areas will allow dangerous levels of CO to accumulate.
- DO NOT contain generators during operation.
- Only use OUTSIDE and far away from windows, doors, and vents as recommended by the US Department of Health and Human Services Centers for Disease Control and Prevention. Your specific home and/or wind conditions may require additional distance.
- Do not operate the generator on an incline. The unit should always be placed on a flat stable surface.
- The generator should be on a flat, level surface at all times (even while not in operation).
- The generator must have at least 5 ft. (1.5 m) of clearance from all combustible material.

OPERATION

KNOW THE REGULATIONS FOR THE USE OF PORTABLE GENERATORS

Consider where and how you intend to use your generator, and familiarize yourself with any local, state, or federal ordinances concerning your intended use. It may be necessary to contact a qualified electrician or local governing agency for a full list of requirements.

ADDING OIL/CHECKING OIL LEVEL

See Figure 13.

If your product has a separate engine manual, disregard the information in this section and follow the instructions in the engine manual.

NOTICE THIS GENERATOR HAS BEEN SHIPPED WITHOUT OIL. Do not attempt to crank or start engine before it has been properly serviced with recommended oil. Failure to add engine oil before starting will result in serious engine damage that is not covered under warranty.

NOTICE Use of 2-stroke/cycle oil or other unapproved oil types can cause severe engine damage that is not covered under warranty.

The included, recommended oil type for typical use is 10W-30 engine oil. If running the generator in extreme temperatures, refer to the following chart.

| Recommended Engine Oil Type | | | | | | | | | |
|-----------------------------|---------------------|--------|------|-----|------|--------|------|------|--|
| | | 10W-30 | | | | | | | |
| | 5W-30 | | | | | 10W-40 | | | |
| | 5W-30 Synthetic | | | | | | | | |
| °F | -20 | 0 | 20 | 40 | 60 | 80 | 100 | 120 | |
| °C | -28.9 | -17.8 | -6.7 | 4.4 | 15.6 | 26.7 | 37.8 | 48.9 | |
| | Ambient Temperature | | | | | | | | |

NOTE: Check the engine oil level before each use or every 8 hours of operation.

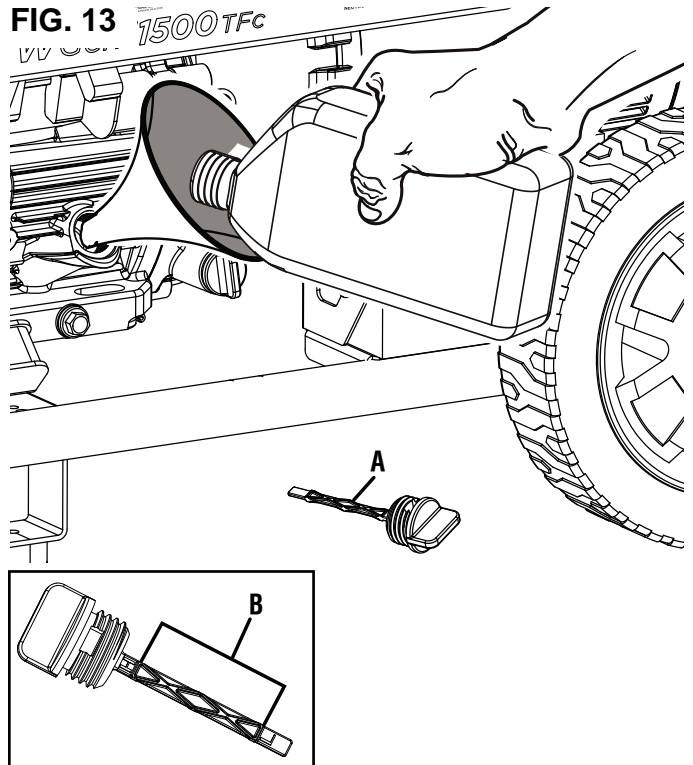
- Turn the generator off and allow the engine to cool for at least five minutes.
- Place the generator on a level surface in a well-ventilated area.
- Clean the area around the oil dipstick.

For initial oil fill:

- Slowly unscrew and remove the oil dipstick.
- Using the funnel, slowly pour the supplied engine oil into the oil fill hole. Stop frequently to make sure you do not overfill.

NOTE: Your generator was functionally tested in the factory and may contain minimum residual oil. Additional oil is required to operate the unit. Do not overfill.

- Replace and tighten the oil dipstick.



A - Oil dipstick
B - Safe operating range

To check oil level:

- Slowly unscrew and remove the oil dipstick.
- Clean the dipstick and re-seat it inside the oil fill hole. Do not thread the dipstick.
- Remove the dipstick and verify that the oil level is within safe operating range.
- If the oil level is low, add recommended engine oil incrementally and recheck until the level is within the safe operating range.
- Replace the oil dipstick and hand-tighten.

GASOLINE REQUIREMENTS

NOTICE Do not use E15 or E85 fuel in this product. Engine or equipment damage caused by stale fuel or the use of unapproved fuels (such as E15 or E85 ethanol blends) is not covered by warranty. Only use unleaded gasoline containing up to 10% ethanol.



- ALWAYS use CLEAN, FRESH, unleaded gasoline (87–93 octane) in this unit. NEVER use OLD, STALE, or CONTAMINATED gasoline.
- Up to 10% ethanol (gasohol) is acceptable (where available; non-ethanol fuel is recommended).
- DO NOT use E85 or E15.
- DO NOT use a gas oil mix.
- DO NOT modify the engine to run on alternate fuels.

OPERATION

USING FUEL STABILIZER

Adding a fuel stabilizer (not included) extends the usable life of fuel and helps prevent deposits from forming that can clog the fuel system. Follow the manufacturer's instructions for use.

Always mix the correct amount of fuel stabilizer to gasoline in an approved gasoline container before fueling the generator. Run the generator for five minutes to allow the stabilizer to treat the entire fuel system.

ADDING GASOLINE

See Figures 14 - 15.

⚠ DANGER

Fire and explosion hazard. Never remove the fuel cap or refuel the generator while the engine is running. Do not smoke or create sparks while fueling. Always turn the engine off and allow the generator to cool for at least five minutes before refueling.

⚠ DANGER

Fire and explosion hazard. Do not overfill fuel tank. Fill only to the red maximum fill ring on the fuel screen. Overfilling may cause fuel to spill onto engine causing a fire or explosion hazard.

⚠ WARNING

Never use a gasoline container, gasoline tank, or any other fuel item that is broken, cut, torn or damaged.

NOTICE

Only fill the tank from an approved gasoline container. Make sure the gasoline container is internally clean and in good condition to prevent fuel system contamination.

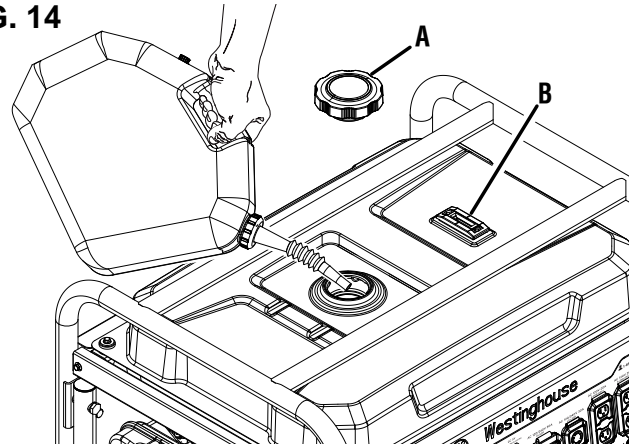
- Turn the generator off and allow the engine to cool for at least five minutes.
- Place the generator on a level surface in a well-ventilated area. **DO NOT fuel indoors.**
- Clean area around fuel cap and remove the cap slowly.
- Slowly add the recommended fuel. Do not overfill.

NOTE: The gasoline level should NOT be higher than the red maximum fill ring on the fuel screen.

NOTE: The fuel gauge on top of the tank shows the approximate fuel level.

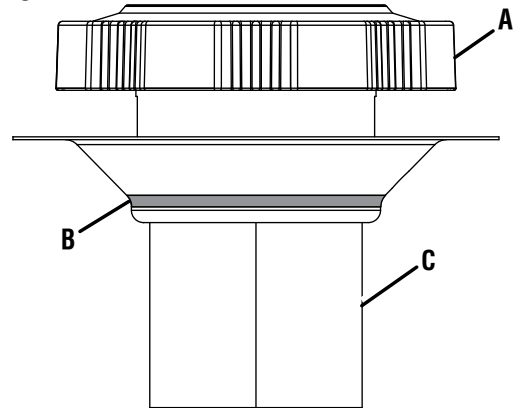
- Install the fuel cap. Tighten securely.
- Clean up any spilled fuel.
- Move at least 30 ft. away from refueling area before restarting the engine.

FIG. 14



- A - Fuel cap
- B - Fuel gauge

FIG. 15



- A - Fuel cap
- B - Max fill line
- C - Screen filter

NOTICE

Fuel can damage paint and plastic. Use caution when filling the fuel tank. Damage caused by spilled fuel is not covered under warranty.

NOTICE

Clean the fuel screen filter of debris before and after each fueling. Remove the fuel screen filter by slightly compressing it while removing it from the fuel tank.

LP GAS CYLINDER REQUIREMENTS

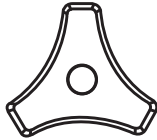
NOTICE

Propane cylinders that use liquid withdrawal system can not be used on these models.

OPERATION

LP gas is extremely flammable and could ignite spontaneously when mixed with air. The LP gas cylinder used with this generator must meet the following requirements:

- The cylinder must be manufactured and labeled in accordance with the *Specifications for LP Gas Cylinders* of the U.S. Department of Transportation (D.O.T.) or the National Standard of Canada, CAN/CSA-B339, *Cylinders, Spheres, and Tubes for Transportation of Dangerous Goods; and Commission*.
- The cylinder must have a safety relief valve.
- The cylinder must include a UL listed Overfill Protection Device (OPD). Cylinders with this safety feature will have a unique triangular handwheel. Only use LP gas cylinders with this type of handwheel.
- The cylinder must be periodically certified for use by the authority having local jurisdiction (AHJ). Before use, verify that the certification date on the cylinder has not expired.
- All new cylinders must be purged of air and moisture prior to filling. Used cylinders that have not been plugged or kept closed must also be purged. The purging process should be done by a propane supplier (Cylinders from an exchange supplier should have been purged and filled properly).



CONNECTING AN LP GAS CYLINDER TO THE GENERATOR

See Figures 16 - 18.

⚠ DANGER Fire and explosion hazard. Never connect or disconnect the LPG/propane hose while the engine is running. Do not smoke or create sparks while handling LPG/propane. Always turn the engine off and allow the generator to cool for at least five minutes before connecting the propane cylinder.

⚠ WARNING Never use a gas container, LPG/propane hose, propane cylinder or any other fuel item that appears to be damaged.

⚠ WARNING To reduce the risk of injury, perform a leak test any time the LP gas cylinder is disconnected and reconnected.

- Turn the generator off and allow the engine to cool for at least five minutes.
- Place the generator on a level surface in a well-ventilated area. **DO NOT connect or disconnect the LP gas cylinder indoors.**
- Place the LP gas cylinder near the generator, but **do not place it in the path of the muffler exhaust.**
NOTE: The propane cylinder can be of any capacity but it must conform to the **LP Gas Cylinder Requirements** listed earlier in this section.
- Verify that the handwheel is in its full off position.

FIG. 16

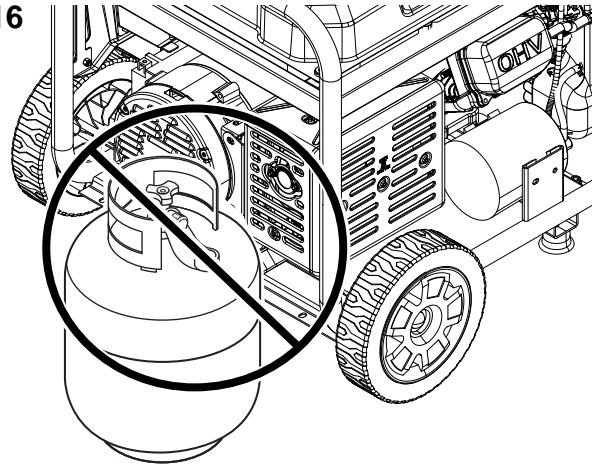
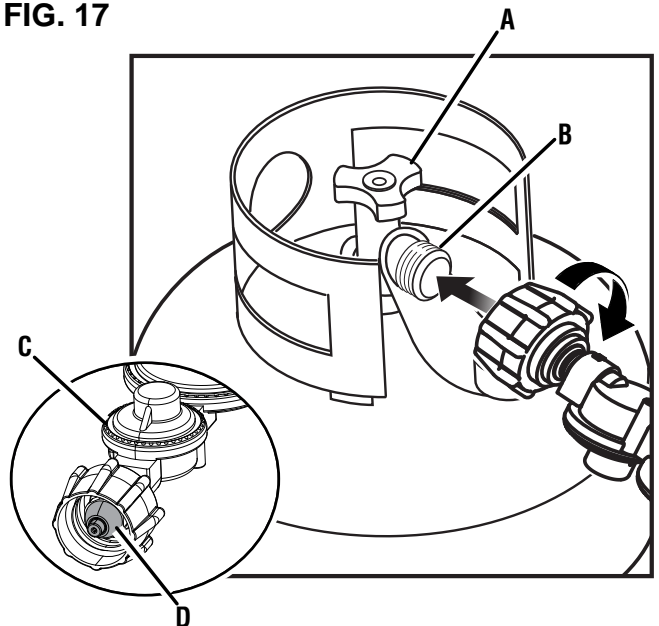


FIG. 17



- A - Handwheel
- B - Cylinder valve
- C - LPG/propane hose
- D - Nipple

- Hold the LPG/propane hose firmly and push the nipple into the cylinder valve.
- Use your hand to thread the LPG/propane hose to the cylinder valve. **Do not cross-thread. Do not use tools or sealants.**
NOTE: You will feel some resistance as the hose seals in the cylinder valve. To complete the connection, turn the connector an additional one-half to three-quarters of a turn. If you are unable to complete the connection, disconnect the hose and try again. If you still cannot complete the connection, **DO NOT** use this hose!
- Connect the LPG/propane hose to the generator using the quick-connect collar.
 - Pull back the quick-connect collar.
 - Push the hose onto the natural gas/propane inlet.
 - Push the collar forward so that the hose is secured properly. Gently pull the hose to see that it is secure.

OPERATION

CONNECTING GENERATOR TO NATURAL GAS SUPPLY LINE

See Figures 18 - 19.

⚠ DANGER Fire and explosion hazard. Never connect or disconnect the natural gas hose while the engine is running. Do not smoke or create sparks while handling natural gas. Always turn the engine off and allow the generator to cool for at least five minutes before connecting to natural gas.

⚠ WARNING Never use a natural gas supply line, natural gas hose, or any other fuel item that appears to be damaged.

⚠ WARNING To reduce the risk of injury, perform a leak test any time the natural gas hose is disconnected and reconnected.

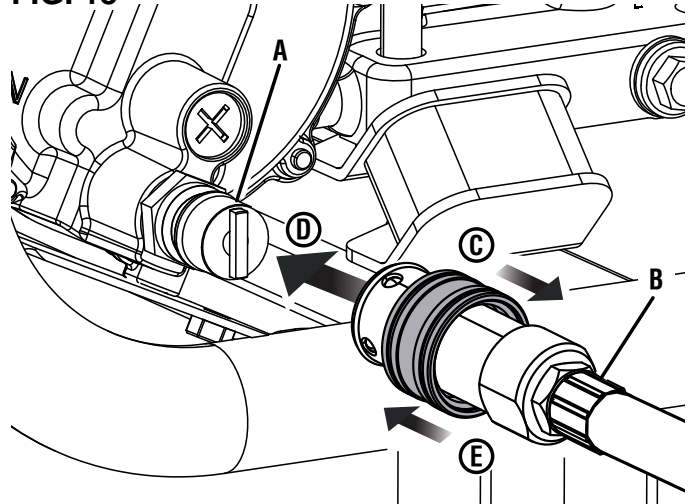
- Turn the generator off and allow the engine to cool for at least five minutes.
- Verify that the gas is turned off at the natural gas supply line.
- Completely unwrap and straighten the natural gas hose to prevent kinks.
- Use your hand to thread the hose to the natural gas supply line. **Do not cross-thread. Do not use tools or sealants.**
- Connect the natural gas hose to the generator using the quick-connect collar.
 - Pull back the quick-connect collar.
 - Push the hose onto the natural gas/propane inlet.
 - Push the collar forward so that the hose is secured properly. Gently pull the hose to see that it is secure.

SELECTING THE FUEL SOURCE

See Figure 20 - 21.

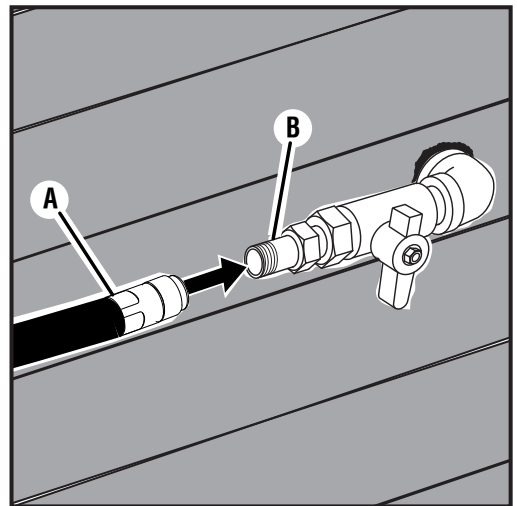
⚠ DANGER Fire and explosion hazard. DO NOT add gasoline to the fuel tank or connect the LPG/propane hose or natural gas hose to the generator while the generator is in operation.

FIG. 18



- A - Natural gas/propane inlet
- B - Natural gas hose or LPG/propane hose
- C - Pull collar back
- D - Push hose onto inlet
- E - Push collar forward

FIG. 19



- A - Natural gas hose
- B - Natural gas supply line


OPERATION

NOTICE Do not overload the generator. Load capacities differ depending on the fuel source. Before switching fuel sources, make sure the generator can supply enough running (continuous) and peak (starting) watts for the items your connected items.


NOTICE Do not overload the generator. Load capacities differ depending on the fuel source. Before switching fuel sources, make sure the generator can supply enough running (continuous) and peak (starting) watts for the items your connected items.

The fuel source can be switched while the engine is off or while it is running if a propane tank or natural gas supply line is connected to the generator BEFORE operation. If you switch from gasoline to another fuel source while the engine is running, it may run rough for a few seconds as it purges gasoline from the carburetor.


To switch to gasoline:

- Turn the fuel valve to the open position to start the flow of gasoline.
- Rotate the fuel selector switch to **Gasoline** .
- Turn off the flow of natural or propane gas.

To switch to propane:

- Open the cylinder valve on the LP gas cylinder to start the flow of propane.
- Rotate the fuel selector switch to **Propane** .
- Turn off the flow of natural gas and gasoline.

To switch to natural gas:

- Open the valve on the natural gas supply line to start the flow of natural gas.
- Rotate the fuel selector switch to **Natural Gas** .
- Turn off the flow of propane and gasoline.

HIGH ALTITUDE OPERATION

Engine power is reduced the higher you operate above sea level. Output will be reduced approximately 3.5% for every 1000 feet of increased altitude from sea level.

High altitude adjustment is required for operation at altitudes over 5,000 ft. (1524 m). Operation without this adjustment will cause decreased performance, increased fuel consumption, and increased emissions.

NOTICE DO NOT operate the generator at altitudes below 2,000 ft. (762 m) with the high altitude kit installed. Engine damage may occur.

High Altitude Carburetor Kit

Part# 518563

DATA CENTER

See Figure 22.

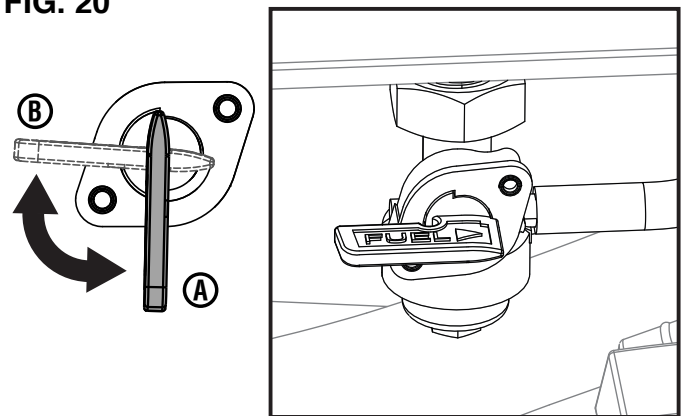
Push the mode button to cycle through the data display modes.

Voltage: Displays current voltage output.

Frequency (Hz): Displays power output frequency in Hertz.

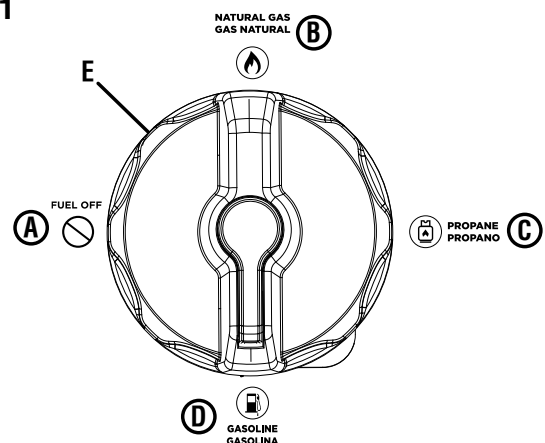
Lifetime Hours: Displays the lifetime run hours.





FIG. 20



A - Fuel valve (open)
B - Fuel valve (close)

FIG. 21



A - Fuel off 
B - Natural gas 
C - Propane 
D - Gasoline 
E - Fuel selector switch

OPERATION

Run Time/Maintenance: Displays current run time. Resets to zero when shut down. Maintenance reminder displayed when required.

Maintenance Codes:

- P25** – Change engine oil
- P50** – Clean air filter, Change engine oil
- P100** – Change engine oil, clean air filter, replace fuel filter

PAIRING THE KEY FOB

See Figures 23 - 24.

- Bring the key fob in range of the generator.
- Ensure the battery is connected and the fuel selector switch is in the **FUEL OFF** position.
- Push the battery switch to the ON position.
 - NOTE:** When battery power is available, the battery indicator light will illuminate and the LED around the engine start/stop button will illuminate solid green.
- Press and hold the engine start/stop button for 10 seconds until the LED around the button flashes green, then release it.
- Press and hold the start button on the key fob for one second, then release it.
 - If the key fob paired successfully, the LED around the engine start/stop button will turn solid green.
 - If pairing was unsuccessful, the LED around the engine start/stop button will continue flashing green. Wait several seconds, then make a second attempt. If the second attempt fails, turn the battery switch to the OFF position, wait several seconds and repeat the process. If subsequent attempts fail, turn the battery switch to the OFF position and contact customer service.
- After the key fob is successfully paired to the generator, turn the battery switch to the OFF position.

BREAK-IN PERIOD

For proper break-in, do not exceed 50% of the rated running watts during the first five hours of operation.

Use supplied oil until first recommend oil change. Do not use full synthetic oil during break in period. Full synthetic oil may prevent proper breaking and seating of the piston rings.

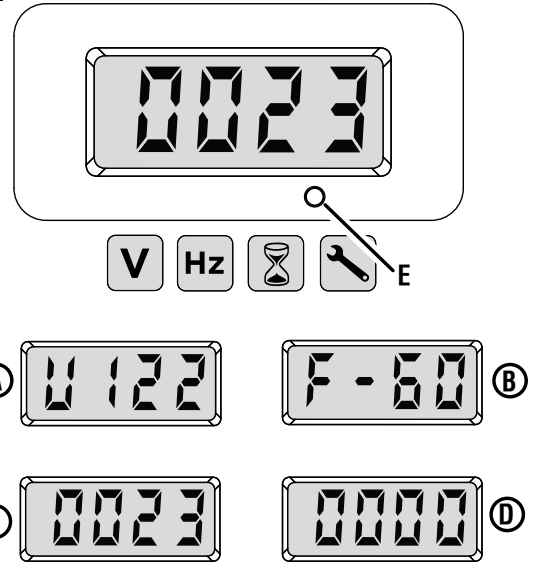
Vary the load occasionally to allow stator windings to heat and cool and help seat the piston rings.

BEFORE STARTING THE GENERATOR

Verify that:

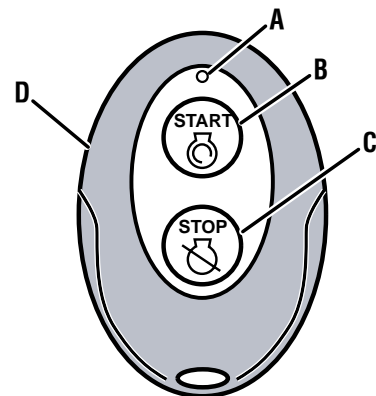
- The generator is placed in a safe, appropriate location.
- The generator is on a dry, flat, and level surface.
- Oil and fuel levels are within safe operating range.
- All loads are disconnected from the control panel receptacles.

FIG. 22



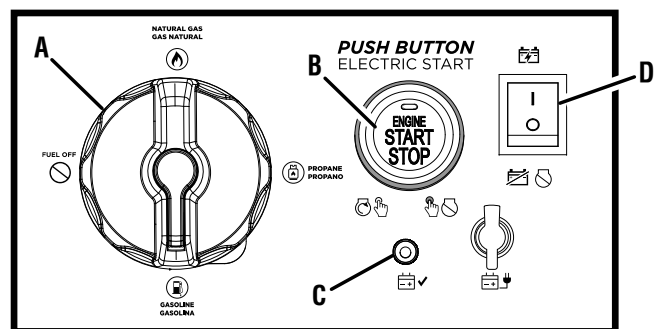
- A - Voltage
- B - Frequency
- C - Lifetime hours
- D - Run time/maintenance reminder
- E - Mode button

FIG. 23



- A - Red LED
- B - Start button
- C - Stop button
- D - Key fob

FIG. 24



- A - Fuel selector switch
- B - Engine start/stop button
- C - Battery indicator
- D - Battery switch

OPERATION






DANGER

Fire and explosion hazard. DO NOT move or tip the generator during operation.

STARTING THE GENERATOR

See Figures 24 - 27.

- Place the generator in a safe, appropriate location.
- Unplug all loads.
- Check oil and fuel levels. If needed add oil, refill the LP gas cylinder, add gasoline, or contact your natural gas utility company.
- Using the fuel selector switch, select **GASOLINE** , **PROPANE** , or **NATURAL GAS** 
- Start the flow of your desired fuel and stop the flow from other fuel sources.
 - For gasoline, open the fuel valve and turn off the flow of natural or propane gas.
 - For propane, open the cylinder valve on the LP gas cylinder and turn off the flow of natural gas and gasoline.
 - For natural gas, open the valve on the natural gas supply line and turn off the flow of propane gas and gasoline.
- Push the battery switch to the ON position.

NOTE: When battery power is available, the battery indicator light and the green LED around the engine start/stop button will illuminate.

To start the generator using the recoil handle:

- Move the choke to the on/cold start position.

NOTE: If the engine is warm, move the choke towards the on/warm start position (about 2/3 of the way).
- Firmly grasp and pull the recoil handle slowly until you feel increased resistance. At this point, pull the recoil handle rapidly away from the generator until the engine starts.

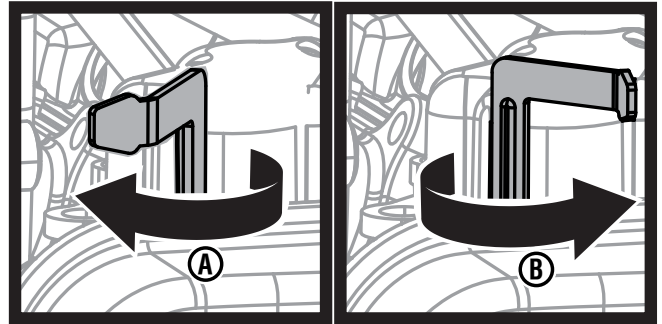
NOTE: Gently return the recoil handle into place after starting the unit. Do not let it snap back against the unit. During initial starting, additional pulls may be required to prime the fuel pump.
- After the engine starts, move the choke to the off/warm start position.

To start the generator using the remote start feature:

- Push and hold the start button on the key fob for two seconds.

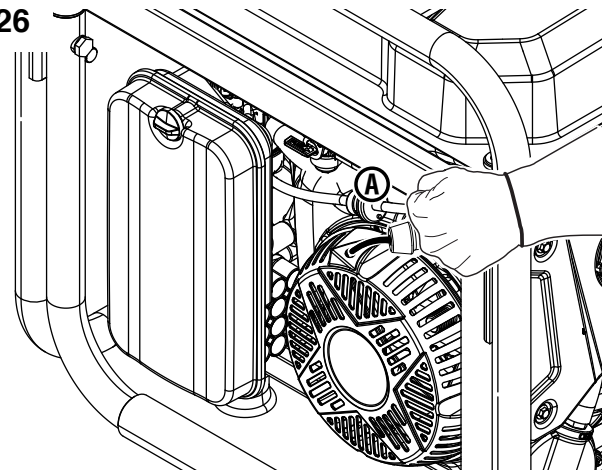
NOTE: The red LED on the key fob should blink each time the start button is pressed. If the red LED does not blink and the generator does not start, then the battery in the fob may need to be replaced. If the red LED does blink but the generator does not start, the generator's battery may need to charge. Start the unit using the recoil handle. The generator's battery will charge as the unit runs.

FIG. 25



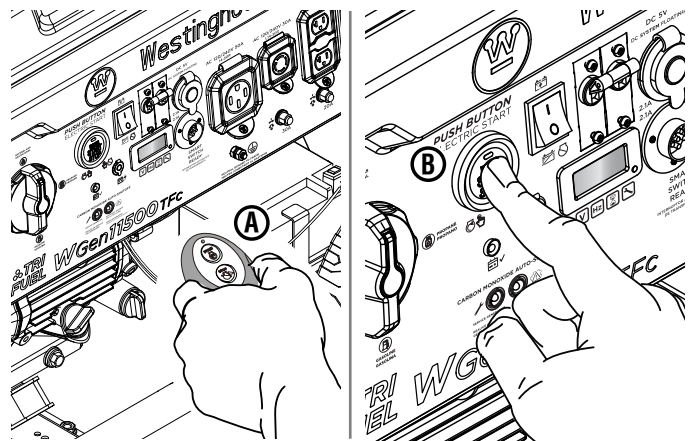
A - Choke (on/warm start)
B - Choke (off/cold start)

FIG. 26



A - Recoil handle

FIG. 27



A - Key fob
B - Engine start/stop button

To start the generator using the engine start/stop button:

- Push and hold the engine START/STOP button for two seconds.

NOTE: If the engine START/STOP button does not start the generator, the generator's battery may need to charge.

OPERATION


Start the unit using the recoil handle. The generator's battery will charge as the unit runs.

To add loads after starting the generator:

- When the generator output stabilizes, you can safely connect loads to the control panel receptacles.
- **NOTE:** Verify that all devices are turned off before connecting them to the generator.
- **NOTE:** Make sure that the wattage requirements for all connected devices are in line with your generator's capabilities.
- Connect and start the largest device or appliance.
- Allow the generator output to stabilize. Once stable, the engine should run smoothly, and the device should function properly.
- Connect and start the next largest device or appliance.
- Allow the generator output to stabilize.
- Repeat this process for each additional load.

STOPPING THE GENERATOR

See Figures 24 and 27.

- Remove any connected loads from the control panel receptacles.
- Allow the generator to run at "no load" to reduce and stabilize engine and alternator temperatures.
- Press and hold the engine START/STOP button or the stop button on the key fob for one second to stop the generator.
- Turn the battery switch off.
- Turn the fuel selector switch to the **FUEL OFF** position .
- Stop the flow of fuel.
 - For gasoline, close the fuel valve.
 - For propane, close the cylinder valve on the LP gas cylinder.
 - For natural gas, close the valve on the natural gas supply line.
- Disconnect the propane hose from the LP gas cylinder and the generator or disconnect the natural gas hose from the natural gas supply line and the generator.

To stop the unit quickly in an emergency:

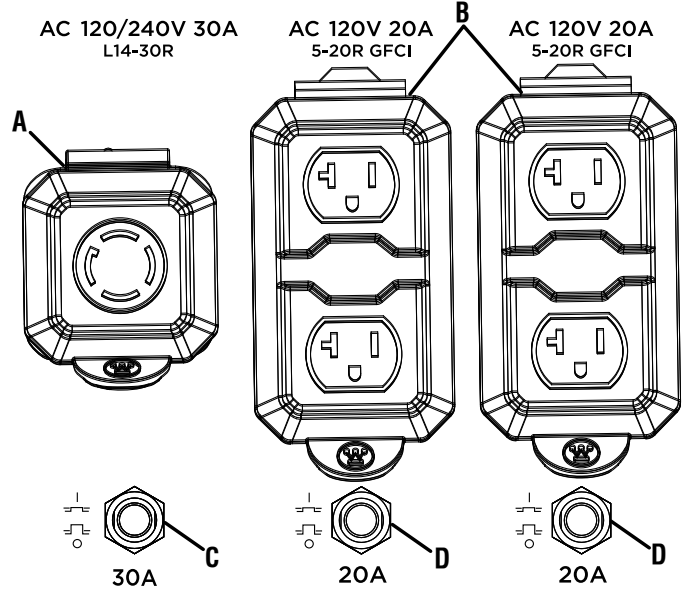
- Press and hold the engine START/STOP button or the stop button on the key fob for one second to stop the generator.

CIRCUIT BREAKERS

See Figures 28 - 29.

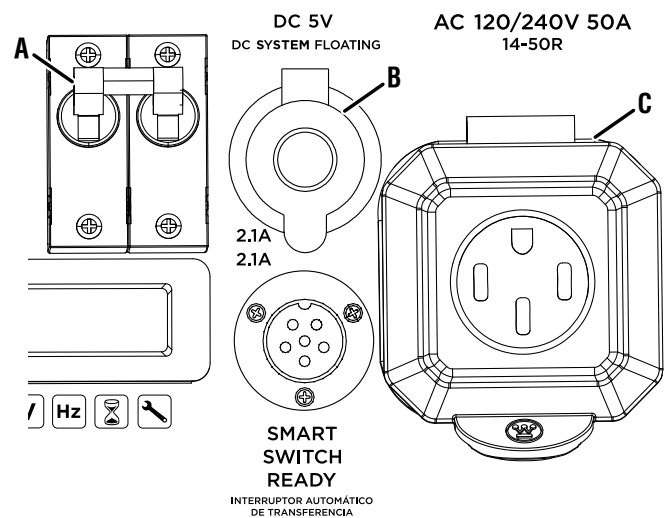
The 20 amp circuit breaker protects devices and equipment connected to the 120V, 20 amp receptacles from electrical overload. The 30 amp circuit breaker protects devices and equipment connected to the 120V, 30 amp receptacles. The main circuit breaker will automatically switch OFF if the combined load of the receptacles exceeds the generator's capacity. If a circuit breaker activates, turn off the

FIG. 28



- A - 120/240 volt AC 30 amp receptacle
- B - 120 volt AC 20 amp GFCI receptacles
- C - 30 amp circuit breaker
- D - 20 amp circuit breakers

FIG. 29



- A - Main circuit breaker
- B - USB ports
- C - 120/240 volt AC 50 amp receptacle

connected device, remove it from the port or outlet, and reset the circuit breaker.

USB PORTS

See Figure 29.

Use the USB ports and USB cables (not included) to charge USB-compatible devices such as phones, tablets, and speakers (up to 2.1 Amps).

NOTE: The USB ports are designed for charging only and do not have data transfer or communication capabilities.

OPERATION

TRANSPORTING

- Turn off the generator.
- Allow the generator to cool a minimum of 30 minutes before transporting.
- Replace all protective covers on the generator control panel.
- Always use the generator's frame, not the handle, to lift the unit or attach any load restraints such as ropes or tie-down straps. DO NOT attempt to lift or secure the generator by holding onto any of its other components.

- Keep the unit level during transport to minimize the possibility of fuel leakage or, if possible, drain the fuel or run the engine until the fuel tank is empty before transport.

CAUTION Fire hazard. DO NOT up-end the generator or place it on its side. Fuel or oil can leak and damage to the generator may occur.

CARE AND MAINTENANCE

WARNING Accidental start-up. Disconnect the spark plug boot (see figure 33) from the spark plug when performing maintenance on the generator.

WARNING Replace damaged or worn items with recommended or equivalent replacement parts. Using an incorrect or incompatible part might create a hazard that could result in serious personal injury.

WARNING Allow hot components to cool for 30 minutes before performing any maintenance procedure.

WARNING Avoid skin contact with engine oil or gasoline. Wear protective clothing and equipment. Wash all exposed skin with soap and water. Prolonged skin contact with gasoline or engine oil may cause severe skin irritation and other adverse reactions.

NOTICE Check the physical condition of the product prior to each use. Look for loose bolts, fluid leaks, and other signs of wear. Replace all damaged items. For replacement parts or assistance, contact our customer service team.

To prolong the life of this product, follow the care and maintenance instructions in this section. Contact customer service before servicing any recall or warranty parts.

CLEANING THE GENERATOR

Do not store or operate your generator in dirty, dusty, or corrosive environments. Do not allow foreign materials and debris to clog the vents on the unit.

NEVER clean the generator with a garden hose. Water can damage the generator's fuel system and electrical components. If the unit needs to be cleaned, use a soft brush and damp cloth to clean the exterior and use low pressure air (no greater than 25 psi) to clean the vents.

Never use gasoline as a cleaning agent.

CARE AND MAINTENANCE

CLEANING/REPLACING THE AIR FILTER

See Figure 30.

Keep air filter clean. A dirty air filter can cause poor performance and decrease the service life of the product. **NEVER operate the generator without an air filter in place.**

- Turn the generator off and allow the engine to cool for 30 minutes.
- Rotate the knob counterclockwise and remove the cover.
- Remove the air filter from the air cleaner housing and place it in a suitable cleaning container. **Replace the air filter if damaged.**

NOTE: The air filter may be covered in oil. Use an appropriate container.

- Wash the air filter by submerging the filter in a solution of household detergent soap and warm water. Slowly squeeze the filter to thoroughly clean.

NOTICE DO NOT twist or tear the air filter during cleaning or drying. Only apply slow but firm squeezing action.

- Rinse the air filter by submerging it in fresh water and applying a slow squeezing action. Allow the filter to dry thoroughly.

NOTICE Do not pollute. Follow the guidelines of the EPA or other governmental agencies for proper disposal of hazardous materials. Consult local authorities or reclamation facility.

- Dip the air filter in clean engine oil then squeeze out all excess oil. The engine will smoke when started if too much oil is left in the filter.
- Install the air filter in the air cleaner housing and reinstall the air filter cover.

CHANGING THE ENGINE OIL

See Figures 31 - 32.

For optimal performance, change the engine oil according to the figures specified in the **maintenance schedule** or the engine manual (if applicable). When using the generator under extreme, dirty, dusty conditions or in extremely hot weather, change the oil more frequently.

NOTE: Change the oil while the engine is warm but not hot. Warm engine oil drains more quickly and thoroughly than cool lubricant. Contact with hot lubricant will cause serious burns.

- Turn the generator off and allow the engine to cool for 30 minutes.
- Place the generator on a level surface in a well-ventilated area.

To change the engine oil:

- Clean the area around the oil dipstick.
- Slowly unscrew and remove the oil dipstick.

FIG. 30

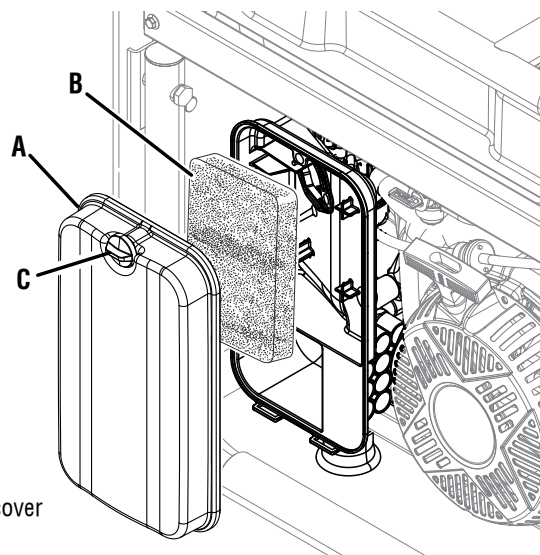
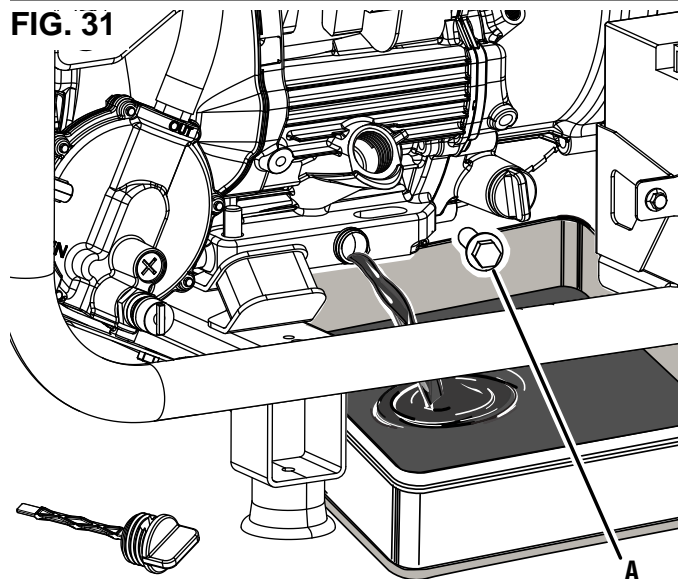


FIG. 31



A - Oil drain bolt

CARE AND MAINTENANCE

- Place an oil pan (or suitable container) under the oil drain bolt.
- Remove the oil drain bolt and allow the oil to drain.
- After the oil has drained completely, replace the oil drain bolt.
- Refill the oil as described in the *Operations* section.
- Replace the oil dipstick and hand-tighten.
- Clean up any spilled oil.

To clean the oil filter:

- Clean the area around the oil filter.
- Slowly unscrew and remove the oil filter.
- Wash the oil filter with warm soapy water, then rinse and dry.
- Replace the oil filter and hand-tighten.
- Clean up any spilled oil.

CLEANING/REPLACING THE SPARK PLUG

See Figure 33.

NOTICE ALWAYS use the Westinghouse OEM or compatible non-resistor-type spark plug. Use of resistor-type spark plug can result in rough idling, misfire, or may prevent the engine from starting.

Make sure the spark is clean and properly gapped. To clean or replace your spark plug:

- Turn the generator off and allow the engine to cool for 30 minutes.
- Place the generator on a level surface in a well-ventilated area.
- Remove the spark plug boot by firmly pulling the spark boot directly away from the engine.
- Clean the area around the spark plug.
- Remove the spark plug with the included spark plug socket wrench.

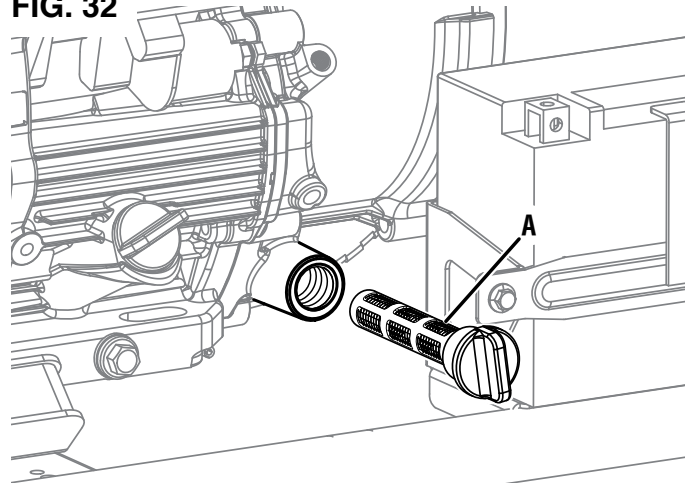
NOTICE Never apply any side load or move the spark plug laterally when removing the spark plug.

- Inspect the spark plug. Replace if electrodes are pitted, burned, or the insulator is cracked. Only use a recommended replacement plug.
- Measure the spark plug electrode gap with a wire-type feeler gauge. If necessary, correct the gap by carefully bending the side electrode.

Spark plug gap: 0.024 – 0.032 in. (0.60 – 0.80 mm)

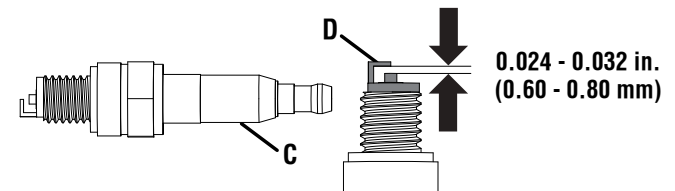
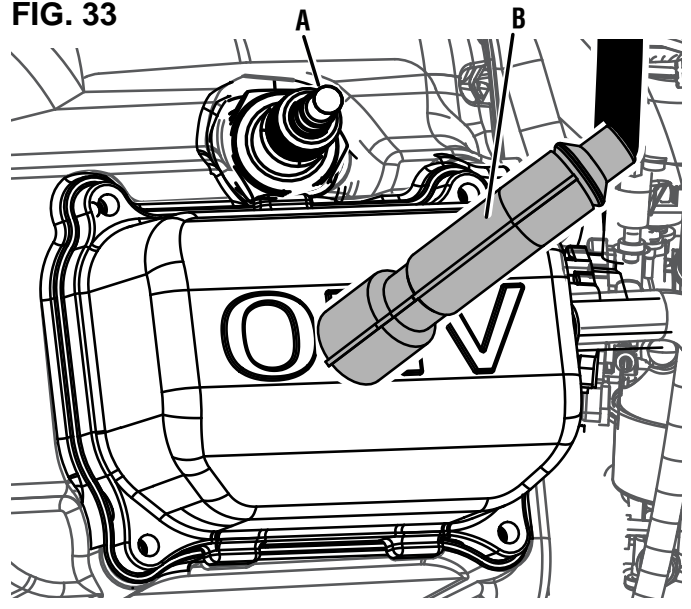
- Carefully install the spark plug finger tight, then tighten as additional 3/8 to 1/2 turn with the spark plug wrench.
- Install the spark plug boot.

FIG. 32



A - Oil filter

FIG. 33



A - Spark plug
B - Spark plug boot
C - Insulator
D - Electrode

CARE AND MAINTENANCE

CLEANING THE SPARK ARRESTOR

See Figure 34.

Check and clean the spark arrestor according to the figures specified in the **maintenance schedule** or the engine manual (if applicable). Failure to clean the spark arrestor will result in degraded engine performance.

- Turn the generator off and allow the engine to cool for 30 minutes.
- Place the generator on a level surface in a well-ventilated area.
- Remove the two screws securing the spark arrestor bracket.
- Remove the bracket, screen, and spark arrestor from the generator.
- Gently clean the screen and spark arrestor using a wire brush.
- Reinstall the spark arrestor, screen, and bracket. Tighten screws securely.

DRAINING THE FUEL TANK AND CARBURETOR FLOAT BOWL

See Figures 35 - 36.

⚠ WARNING ALWAYS store gasoline in a container approved for gasoline. Unapproved containers can break or deteriorate allowing gasoline or gasoline vapors to escape which can create a serious hazard.

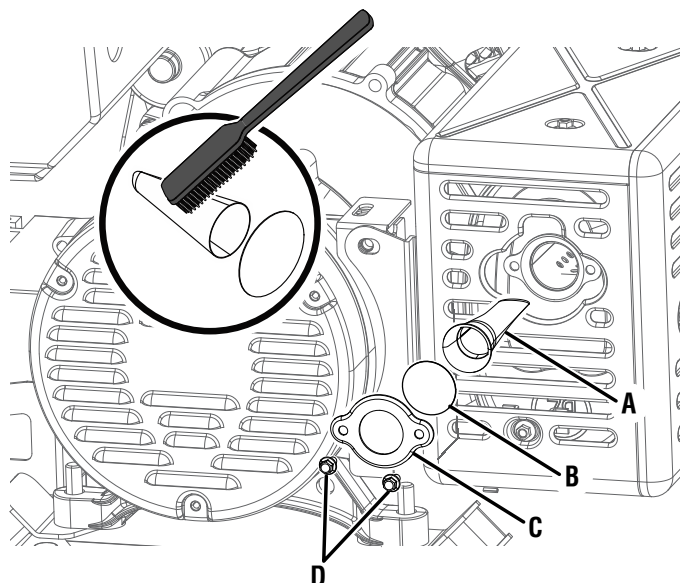
Even properly stabilized fuel can leave residue and cause corrosion if left long term. If storing the generator for two to six months, drain the float bowl to prevent gum and varnish buildup in the carburetor. If storing the generator for longer than six months, drain the fuel tank to prevent fuel separation, deterioration, and deposits in the fuel system.

- Turn the generator off and allow the engine to cool for 30 minutes.
- Place the generator on a level surface in a well-ventilated area.
- Disconnect the propane hose from the LP gas cylinder and the generator or disconnect the natural gas hose from the natural gas supply line and the generator.

To drain the float bowl:

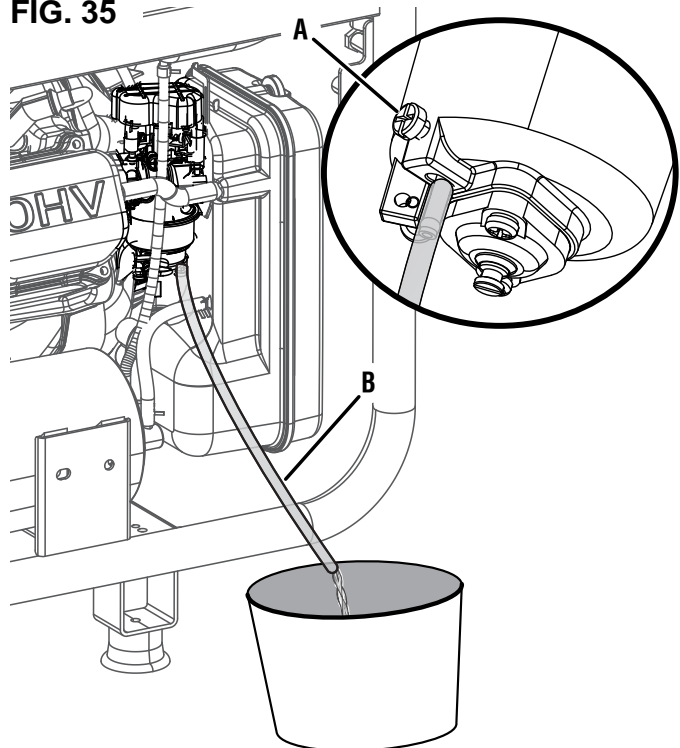
- Turn the fuel selector switch to the **FUEL OFF** position \odot and close the fuel valve.
- Place a drain hose (not included) on the bottom of the carburetor float bowl as shown.
- Place the bottom end of the drain hose (not included) into an approved gasoline container to catch the drained fuel.
- Loosen the float bowl drain screw and allow the fuel to drain. Tighten the float bowl drain screw.
- Remove the drain hose (not included).

FIG. 34



- A - Spark arrestor
- B - Screen
- C - Bracket
- D - Screws


FIG. 35



- A - Drain screw
- B - Drain hose (not included)


CARE AND MAINTENANCE


To run the float bowl dry:

- Turn the fuel selector switch to **Gasoline**  and start the generator as described earlier.
- After the engine starts, close the fuel valve.
- Allow the generator to run until the fuel in the carburetor is depleted and the engine stops.

To drain the fuel tank:

NOTICE To prevent damage to the unit, drain the engine oil before emptying the fuel tank. See **Changing the engine oil** for details.

- Turn the fuel selector switch to the **FUEL OFF** position  and open the fuel valve.
- Clean area around fuel cap and remove the cap slowly.
- Remove the fuel screen filter by slightly compressing it while removing it from the tank.
- Using a commercially available gasoline hand pump (not included), siphon the gasoline from the fuel tank into an approved gasoline container. **DO NOT** use an electric pump.

NOTE: The fuel tank can also be drained using the carburetor drain screw and drain hose as described earlier. Turn the fuel selector switch to **Gasoline**  and open the fuel valve to allow fuel to flow from the tank through the carburetor.

REPLACING THE FUEL VALVE

See *Figure 37*.

Overtime, the fuel filter inside the fuel valve may become dirty or clogged. To reduce the risk of engine failure, replace the entire fuel valve including the filter according to the figures specified in the **maintenance schedule** or the engine manual (if applicable).

- Turn the generator off and allow the engine to cool for 30 minutes.
- Drain the fuel tank as described previously.
- Locate the fuel valve and note the valve's orientation.
NOTE: Place an approved gasoline container beneath the fuel valve to catch any remaining fuel.
- Using pliers, squeeze the fuel line clip and slide the fuel line away from the filter.
- Using a 19 mm wrench (not included), loosen and remove the fuel valve from the tank.
- Thread the new fuel valve onto the fuel tank and tighten securely.
- Install the fuel line onto the new fuel valve.

FIG. 36

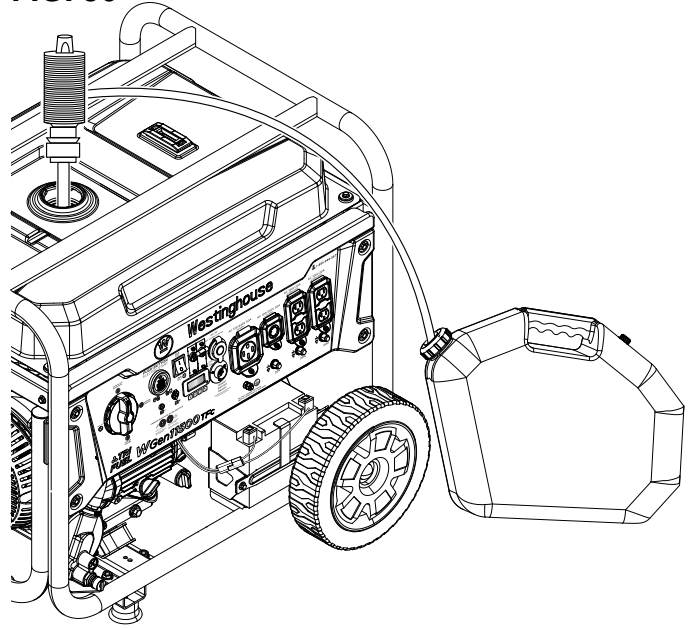
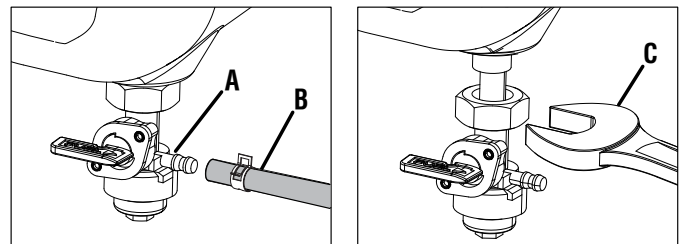


FIG. 37



- A - Fuel valve
- B - Fuel line
- C - 19 mm wrench (not included)

CARE AND MAINTENANCE

CHECKING/ADJUSTING THE VALVE CLEARANCE

See Figures 38 - 39.

NOTICE Checking and adjusting valve clearance must be done when the engine is cold.

- Turn the generator off and allow the engine to cool for 30 minutes.
- Place the generator on a level surface in a well-ventilated area.
- Remove the rocker arm cover and carefully remove the gasket. If the gasket is torn or damaged, it must be replaced.
- Remove the spark plug so the engine can be rotated more easily.
- Pull the recoil handle to rotate the engine to top dead center (TDC). Looking through the spark plug hole; the piston should be at the top (both valves are closed).
- Both rocker arms should be loose at TDC on the compression stroke. If they are not, rotate the engine 360°.
- Insert a feeler gauge between the rocker arm and the valve stem to measure valve clearance.

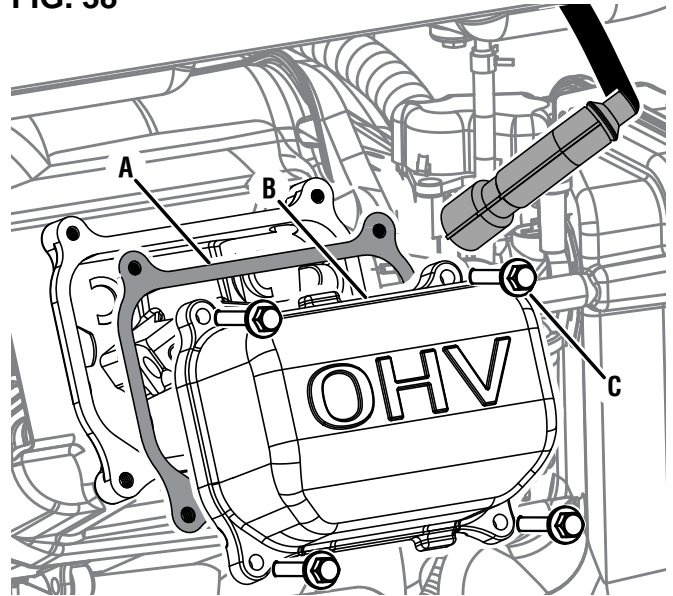
| | Intake Valve | Exhaust Valve |
|------------------------|--|--|
| Valve Clearance | 0.0031 – 0.0047 in (0.08 – 0.12 mm) | 0.0051 – 0.0067 in (0.13 – 0.17 mm) |
| Torque | 8–12 Nm | 8 • 12 Nm |

- If an adjustment is necessary, hold the rocker arm pivot and loosen the pivot adjusting nut.
- Slide the appropriate feeler gauge between the rocker arm and the valve stem.
- Turn the rocker arm pivot to obtain the specified clearance. Hold the rocker arm pivot and re-tighten the pivot adjusting nut to the specified torque.

Torque: 106 inch-pound (12 Nm)

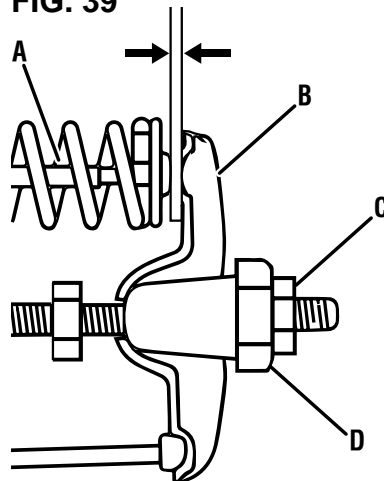
- Recheck valve clearance.
- If no further adjustments are needed, perform this procedure on the other valve.
- When finished, install the gasket, rocker arm cover, and spark plug.

FIG. 38



- A - Gasket
- B - Rocker arm cover
- C - Bolt

FIG. 39



- A - Valve stem
- B - Rocker arm
- C - Pivot adjusting nut
- D - Rocker arm pivot

CARE AND MAINTENANCE

BATTERY MAINTENANCE

See Figure 40.

⚠ WARNING The battery gives off explosive hydrogen gas during normal operation. A spark or flame can cause the battery to explode with enough force to kill or seriously hurt you. Wear protective clothing and a face shield, or have a skilled technician perform battery maintenance.

⚠ WARNING Burn hazard. The battery contains sulfuric acid (electrolyte) which is highly corrosive and poisonous. Wear protective clothing and eye protection when working near the battery. Keep children away from the battery.

⚠ WARNING NEVER smoke or work near sparks or other sources of ignition. NEVER touch both battery terminals at the same time with your hand or any non-insulated tools. If battery acid contacts skin or clothing, flush immediately with water and neutralize with baking soda.

The battery shipped with the generator has been fully charged. A battery may lose some charge when not in use for prolonged periods of time.

NOTE: Once started, the generator will charge the battery after 30–60 minutes of use.

When the generator is not running, the included trickle charger can remain connected and will maintain the battery for an indefinite period of time. A red light on the charger indicates charging in progress. A green light indicates charging complete. Charge in a dry location.

- Plug the charger into the battery charging port on the control panel.
- Plug the wall receptacle end of the battery charger into a 120 Volt AC wall outlet.

BATTERY REPLACEMENT

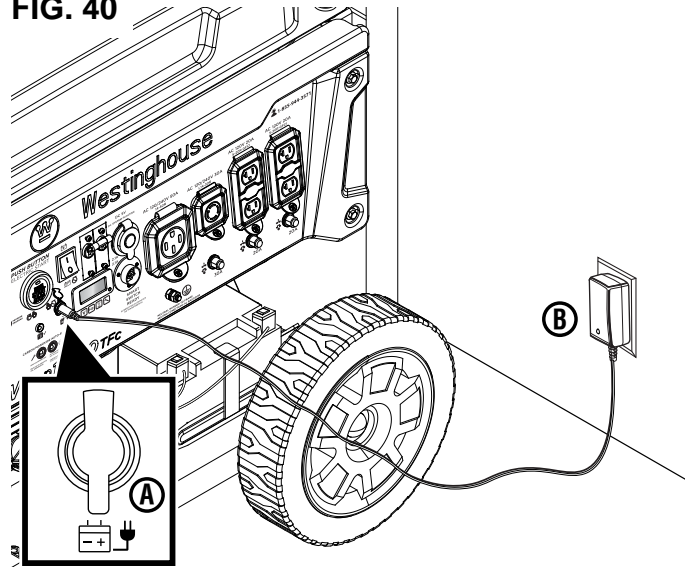
See Figure 41.

⚠ CAUTION Battery posts, terminals contain lead and lead compounds. Wash hands after handling.

- Remove the wheel in front of the battery.
- Remove the two bolts and battery plate. Tilt the battery forward and remove.
- Disconnect the negative (–) cable (black boot) from the negative (–) battery post.
- Disconnect the positive (+) battery cable (red boot) from the positive (+) battery post.

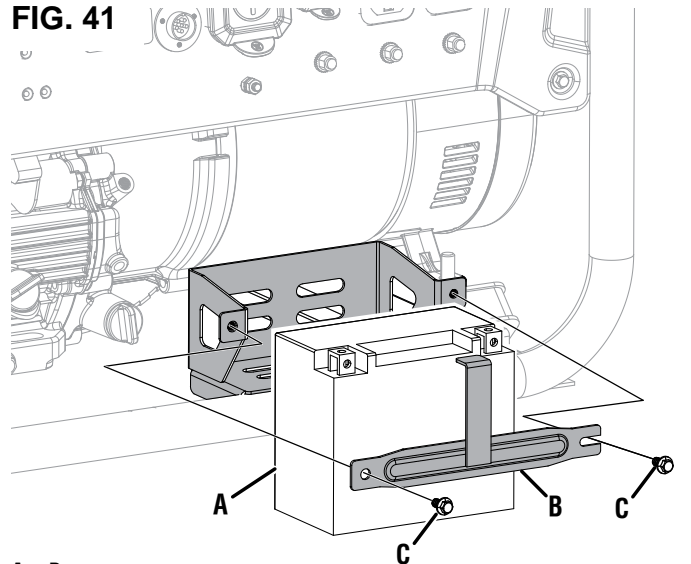
NOTICE Always connect the cables in the following sequence to avoid possible shock.

FIG. 40



A - Battery charging port
B - Charger

FIG. 41



A - Battery
B - Battery plate
C - Bolt

- On the replacement battery, connect the positive (+) battery cable (red boot) to the battery positive (+) terminal. Secure the boot over the battery post.
- Connect the negative (–) battery cable (black boot) to the negative (–) positive terminal. Secure the boot over the battery post.
- Install the battery in the battery tray. Install the battery plate and bolts. Tighten the bolts securely.

NOTICE Dispose of the used battery properly according to the guidelines established by your local or state government.

- Reinstall the wheel.

CARE AND MAINTENANCE

STORAGE

Turn the unit off and allow it to cool a minimum of 30 minutes before storage. Keep the unit upright. Do not store the generator on its side. Drain fuel before storing the unit. Store the unit and the fuel separately in well-ventilated areas away from sparks, open flames, pilot lights, heat, and other sources of ignition.

NOTICE

Gasoline stored for as little as 30 days can deteriorate, causing gum, varnish, and corrosive buildup in fuel lines, fuel passages, and the engine. This corrosive buildup restricts the flow of fuel, which can prevent the engine from starting after a prolonged storage period. The use of fuel stabilizer significantly increases the storage life of gasoline. Full-time use of fuel stabilizer is recommended. Follow the manufacturer's instructions for use.

| STORAGE TIME | RECOMMENDED PROCEDURE |
|--------------------|--|
| Less than 1 month | Replace all protective covers on the generator control panel. Clean the exterior of the generator and remove any debris from the muffler cooling vents. |
| 2 to 6 months | Replace all protective covers on the generator control panel. Clean the exterior of the generator and remove any debris from the muffler cooling vents. Drain the carburetor float bowl. (Store gasoline in an approved gasoline container or dispose of it according to state and local ordinances.) |
| 6 months or longer | Replace all protective covers on the generator control panel. Clean the exterior of the generator and remove any debris from the muffler cooling vents. Drain the carburetor float bowl and the fuel tank. (Store gasoline in an approved gasoline container or dispose of it according to state and local ordinances.) Put a tablespoon of engine oil into the spark plug cylinder. Gently pull the recoil handle to slowly turn the engine and distribute the lubricant. Reinstall the spark plug Change the engine oil. |

MAINTENANCE SCHEDULE

Regular maintenance will improve performance and extend the service life of the generator. Follow the hourly or calendar intervals, whichever occurs first. More frequent service is required when operating in adverse conditions as noted below.

NOTE: If your product has a separate engine manual, disregard the information in this chart and follow the instructions in the engine manual.

| | Before Each Use | After First 25 Hours or First Month | After 50 Hours or Every Six Months | After 100 Hours or Every Six Months | After 300 Hours or Every Year |
|---|-----------------|-------------------------------------|------------------------------------|-------------------------------------|-------------------------------|
| Check Engine Oil | X | | | | |
| Change Engine Oil ¹ | | X | X | | |
| Clean Air Filter ² | | | X | | |
| Inspect/Clean Spark Arrestor | | | | X | |
| Inspect/Clean Spark Plug | | | | X | |
| Inspect/Adjust Valve Clearance ³ | | | | X | |
| Replace Spark Plug | | | | | X |
| Replace Air Filter | | | | | X |
| Replace Fuel Filter | | | | X | |

¹ Change oil every month when operating under heavy load or in high temperatures.


² Clean more often under dirty or dusty conditions. Replace air filter if it cannot be adequately cleaned.

³ Recommend service to be performed by authorized Westinghouse service dealer.

CARE AND MAINTENANCE

Maintenance parts can be purchased directly from the factory. A partial list of maintenance parts is below. For a complete list of maintenance parts or for additional information email us at service@wpowereq.com or call **1-855-944-3571**.

| | |
|-------------------------|------------|
| Air Filter | 2126 |
| Oil Drain Plug | 91817 |
| Drain Plug Washer | 94004 |
| Oil Dip Stick..... | 485601-295 |
| Spark Plug..... | 97108 |

 **WARNING** Do not use attachments or accessories that are not recommended for use with this product. Making unauthorized modifications and using incompatible accessories can damage the unit and void your warranty.

TROUBLESHOOTING

| PROBLEM | POSSIBLE CAUSE | CORRECTION |
|---|--|---|
| Engine starts, then shuts down | Fuel level is low or depleted. | Add gasoline, connect natural gas hose, or connect propane cylinder. |
| | Low engine oil level stopped generator. | Fill oil to proper level and ensure the generator is on a flat, level surface. |
| | Dirty air filter. | Clean the air filter. |
| | Contaminated fuel source. | Drain gasoline and refill the fuel tank, replace the propane cylinder, or have a professional clean the natural gas line. |
| | Defective low oil level switch. | Contact Westinghouse customer service toll-free at 1 (855) 944-3571. |
| Engine lacks power | Air filter restricted. | Clean or replace air filter. |
| | The choke lever is in the wrong position. | Move the choke lever to the correct position. |
| | Fuel system malfunction, ignition malfunction, valves stuck, etc. | Contact Westinghouse customer service toll-free at 1 (855) 944-3571. |
| Engine will not start | Fuel level is low or depleted. | Add gasoline, connect natural gas hose, or connect propane cylinder. |
| | Stale gasoline, generator stored without treating or draining gasoline, or refueled with bad gasoline. | Drain the gasoline tank. Refuel with fresh gasoline. |
| | Dirty air filter. | Clean the air filter. |
| | Low engine oil level stopped generator. | Fill oil to proper level and ensure the generator is on a flat, level surface. |
| | Spark plug wet with fuel (flooded engine). | Wait five minutes. Turn the fuel selector switch to the FUEL OFF position ☉. Pull recoil handle rapidly several times. If the generator does not start, remove spark plug and dry. |
| | Spark plug faulty, fouled, or improperly gapped. | Gap or replace the spark plug. Reinstall. |
| | The fuel selector switch is in the FUEL OFF position ☉ | Turn the fuel selector switch to the appropriate position. |
| | CO sensor removed or modified. | Return to original configuration. |
| Engine runs rough or bogs when load applied | CO sensor activated or system fault occurred. | Relocate generator / Contact Westinghouse customer service toll-free at 1 (855) 944-3571. |
| | Dirty air filter. | Clean the air filter. |
| | Generator overloaded. | Unplug some devices. |
| | Faulty power tool or appliance. | Replace or repair tool or appliance. Stop and restart the engine. |
| No power at AC receptacles | Fuel system malfunction, ignition malfunction, valves stuck, etc. | Contact Westinghouse customer service toll-free at 1 (855) 944-3571. |
| | AC circuit breaker/s tripped. | Check AC loads and reset circuit breaker/s. |
| | Faulty power tool or appliance. | Replace or repair tool or appliance. Stop and restart the engine. |
| | Faulty generator. | Contact Westinghouse customer service toll-free at 1 (855) 944-3571. |

ESPAÑOL

WGen11500TFC

GENERADOR PORTÁTIL

GASOLINA: 11500 WATTS DE FUNCIONAMIENTO | 14500 WATTS PICO
PROPANO: 10500 WATTS DE FUNCIONAMIENTO | 13500 WATTS PICO
GAS NATURAL: 9500 WATTS DE FUNCIONAMIENTO | 12000 WATTS PICO

MANUAL DE USUARIO

NO DEVUELVA ESTE PRODUCTO A LA TIENDA

Si tiene preguntas o necesita ayuda, llame al servicio de atención al cliente al 855-944-3571.

TABLA DE CONTENIDO

| | |
|---|----------------|
| Introducción..... | 2-3 |
| Seguridad..... | 4-12 |
| Eléctrico..... | 13 |
| Componentes..... | 14-15 |
| Montaje..... | 16-17 |
| Operación..... | 18-27 |
| Cuidado y mantenimiento..... | 27-35 |
| Solución de problemas..... | 36 |
| Línea de atención al cliente/dirección de la empresa..... | Página trasera |

INTRODUCCIÓN

⚠ ADVERTENCIA La operación, el servicio y el mantenimiento de este equipo pueden exponerlo a productos químicos, incluidos los gases de escape del motor, el monóxido de carbono, los ftalatos y el plomo, que el estado de California reconoce como causantes de cáncer y defectos de nacimiento u otros daños reproductivos. Para minimizar la exposición, evite respirar los gases de escape y use guantes o lávese las manos con frecuencia cuando realice el mantenimiento de este equipo. Para obtener más información, visite www.P65warnings.ca.gov.

EXENCIONES DE RESPONSABILIDAD

Toda la información, ilustraciones y especificaciones de este manual estaban vigentes en el momento de su publicación. Las ilustraciones que se utilizan en este manual se ofrecen únicamente como vistas de referencia representativas. Nos reservamos el derecho de realizar cualquier cambio en las especificaciones o el diseño sin previo aviso.

RESERVADOS TODOS LOS DERECHOS

Reservados todos los derechos. No se permite la reproducción en ninguna forma sin el permiso por escrito de Westinghouse Outdoor Power Equipment.

⚠ PELIGRO Lea este manual antes de usar o realizar el mantenimiento de este producto. El incumplimiento de las instrucciones y precauciones de seguridad de este manual puede provocar lesiones graves o la muerte.



ACTUALIZACIONES

El manual de usuario más reciente para sus productos Westinghouse se puede encontrar en nuestra pestaña de soporte wpowereq.com/pages/manuals

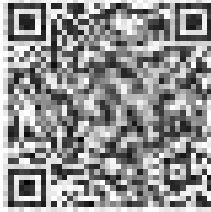
O escanee el siguiente código QR con la cámara de su teléfono inteligente para ser dirigido al enlace.



INTRODUCCIÓN

REGISTRACIÓN DEL PRODUCTO

Para una cobertura de garantía sin problemas, es importante registrar su producto Westinghouse.



Puedes registrarte por:

- Completar y enviar por correo la tarjeta de registro del producto incluida en la caja.
- Registro del producto suen línea en: wpowereq.com/pages/warranty-registration
- Escanee el código QR anterior con la cámara de su teléfono inteligente para ser dirigido al enlace de registro móvil.

Para su archivo

| | |
|-------------------|-------|
| Fecha de compra: | _____ |
| Número de modelo: | _____ |
| Número de serie: | _____ |
| Lugar de compra: | _____ |

- Envío de la siguiente información del producto a:

Westinghouse Outdoor Power
Warranty registration
777 Manor Park Drive
Columbus, OH 43228

IMPORTANTE: Guarde su recibo de compra para una cobertura de garantía sin problemas.

SPECIFICATIONS

Voltaje de corriente alterna..... 120V/240V
Potencia (Watts de funcionamiento)..... 11500W (gasolina),
10500 (propano), 9500 (gas natural)
Potencia (pico)..... 14500W (gasolina),
13500 (propano), 12000 (gas natural)
Corriente de corriente alterna..... 95.8/47.9A (gasolina),
87.5/43.75A (propano),
78.3/39.1A (gas natural)
Voltaje de corriente continua 5V
Corriente de corriente continua 2x2.1A
Frecuencia..... 60 Hz
Fase..... Único
Revoluciones por minuto..... 3600
Factor de potencia..... 1.0

Clase de aislamientoH
Temperatura ambiente máxima 104°F (40°C)
Tipo de combustible Gasolina sin plomo (87–93 Octanos)
No use combustible E15 o E85 en este producto.
Capacidad de combustible 9.5 galones (36 litros)
Capacidad de aceite 1.26 cuartos (1.2 litros)
Tipo de aceite SAE 10W-30
Bujía F7TC
Separación de la bujía 0.03 pulg. (0.70 mm)
Holgura de admisión de la válvula..... 0.0031 – 0.0047 pulg.
(0.08 – 0.12 mm)
Holgura de escape de la válvula 0.0051 – 0.0067 pulg.
(0.13 – 0.17 mm)
Sistema de puesta a tierra de CA..... Unido al marco

AVISO

Este producto está diseñado y clasificado para operación continua a temperaturas ambiente entre 23 °F (–5 °C) y 104 °F (40 °C). Si es necesario, este producto se puede operar en temperaturas extremadamente calientes o extremadamente frías por períodos cortos. Si el producto se expone a temperaturas extremas durante el almacenamiento, debe volver a colocarse dentro del rango de temperatura óptimo antes de la operación. Este producto siempre debe operarse al aire libre en un área bien ventilada y lejos de puertas, ventanas y otras rejillas de ventilación. La potencia y corriente máximas están sujetas y limitadas por factores tales como el contenido de BTU del combustible, la temperatura ambiente, la altitud, las condiciones del motor, etc.

La potencia máxima disminuye aproximadamente un 3,5% por cada 1000 pies sobre el nivel del mar, y también disminuirá aproximadamente un 1% por cada 10 °F (6 °C) por encima de los 60 °F (16 °C) de temperatura ambiente.

AVISO

El efecto de la altitud sobre la potencia será mayor si no se modifica el carburador. Una disminución en la potencia del motor disminuirá la potencia de salida del generador. Póngase en contacto con nuestro equipo de servicio para pedir kits de altitud.

AVISO

¡Gracias por elegir Westinghouse! POR FAVOR LEA ANTES DE DEVOLVER ESTE PRODUCTO POR CUALQUIER MOTIVO.

Si tiene alguna pregunta o experimenta un problema con su compra de Westinghouse, llámenos al 1-855-944-3571 para hablar con un agente.

GUARDE ESTE MANUAL PARA FUTURAS CONSULTAS.

¿TIENE PREGUNTAS?

Envíenos un correo electrónico a service@wpowereq.com o llame al 1-855-944-3571

SEGURIDAD

DEFINICIONES DE SEGURIDAD

Las palabras PELIGRO, ADVERTENCIA, PRECAUCIÓN y AVISO se utilizan en este manual para resaltar información importante. Asegúrese de que los significados de esta información de seguridad sean conocidos por todos los que operan, realizan el mantenimiento o están cerca del generador.



Este símbolo de alerta de seguridad aparece con la mayoría de las declaraciones de seguridad. Significa atención, ponte alerta, ¡tu seguridad está en juego! Lea y respete el mensaje que sigue al símbolo de alerta de seguridad.

PELIGRO Indica una situación peligrosa que, si no se evita, provocará la muerte o lesiones graves.

ADVERTENCIA Indica una situación peligrosa que, si no se evita, podría provocar la muerte o lesiones graves.

PRECAUCIÓN Indica una situación peligrosa que, si no se evita, podría provocar lesiones leves o moderadas.

AVISO Indica una situación que puede causar daños al generador, a la propiedad personal y/o al medio ambiente, o hacer que el equipo funcione incorrectamente.

NOTA: Indica un procedimiento, práctica o condición que se debe seguir para que el generador funcione de la manera prevista.

SÍMBOLOS DE SEGURIDAD

Siga toda la información de seguridad contenida en este manual del usuario, así como la información en la etiqueta del producto.

| SÍMBOLO | DESCRIPCIÓN |
|---------|--|
| | Símbolo de alerta de seguridad |
| | Peligro de incendio |
| | Peligro de descarga eléctrica |
| | Peligro de quemaduras. No toque las superficies calientes. |
| | Peligro de asfixia |
| | No opere en condiciones húmedas |
| | Lea las instrucciones del fabricante |
| | Mantenga una distancia segura |
| | Terrestre. Consulte con un electricista para determinar los requisitos de conexión a tierra antes de la operación. |
| | Monóxido de carbono |

SEGURIDAD

INSTRUCCIONES DE SEGURIDAD IMPORTANTES

⚠ PELIGRO El escape del generador contiene altos niveles de monóxido de carbono (CO), un gas invisible, inodoro y extremadamente venenoso. Si huele los gases de escape, está respirando monóxido de carbono. Pero, incluso si no huele los gases de escape, es posible que esté inhalando CO.

ÚNICAMENTE opere los generadores al aire libre, en un área bien ventilada. NUNCA opere generadores en el interior, hacerlo PUEDE MUERTE EN MINUTOS.

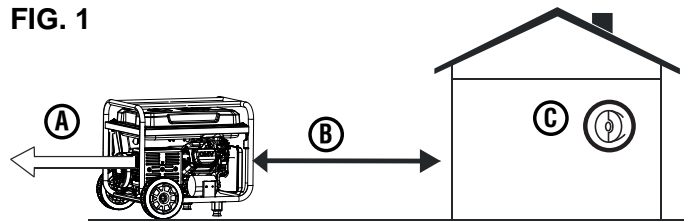
- **Uso correcto:** Use los generadores solo al aire libre y a favor del viento, lejos de ventanas, puertas y conductos de ventilación. Dirija siempre el escape lejos de los espacios ocupados. Instale siempre detectores de monóxido de carbono alimentados por batería o detectores de monóxido de carbono enchufables con respaldo de batería en las áreas habitables. *Vea la figura 1.*
- **Uso incorrecto:** NUNCA use un generador en su casa, garaje, sótano, ático, sótano de poca altura o cualquier otra área total o parcialmente cerrada. Áreas como estas pueden permitir que se acumulen niveles peligrosos de monóxido de carbono. Una puerta abierta o un ventilador en funcionamiento NO proporcionarán una ventilación adecuada. *Vea la figura 2.*

Si comienza a sentirse mareado, débil o enfermo mientras usa el generador, muévase al aire libre inmediatamente. Póngase en contacto con un médico. Es posible que esté experimentando una intoxicación por monóxido de carbono.

⚠ PELIGRO Peligro de incendio y electrocución. NO lo conecte al sistema eléctrico de un edificio a menos que el generador y el interruptor de transferencia se hayan instalado correctamente y un electricista calificado haya verificado la salida eléctrica. La conexión debe aislar la energía del generador de la energía de la red pública y debe cumplir con todas las leyes y códigos eléctricos aplicables. Si no se aísla correctamente la energía del generador, se podrían causar daños a la propiedad y crear una peligrosa retroalimentación de electricidad que podría matar o lesionar gravemente a los trabajadores de servicios públicos.

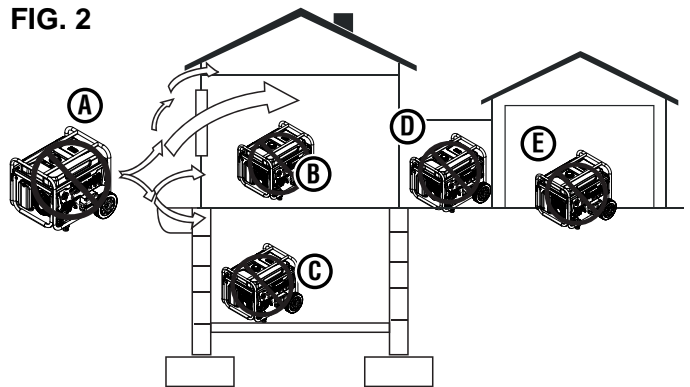
⚠ PELIGRO Peligro de electrocución. NUNCA use el generador en un lugar mojado o húmedo. NUNCA exponga el generador a la lluvia, nieve, rocío de agua o agua estancada mientras está en uso. Proteja el generador de todas las condiciones climáticas peligrosas. La humedad o el hielo pueden causar un cortocircuito u otro mal funcionamiento en el circuito eléctrico.

FIG. 1



- A - ESCAPE (CO)
- B - Use solo AFUERA y LEJOS de ventanas, puertas y conductos de ventilación.
- C - Detectores de CO en zonas de estar

FIG. 2



- A - Exhaust (CO)
- B - Living Area
- C - Basement Crawlspace
- D - Entryway/Porch/Mudroom
- E - Garage

⚠ ADVERTENCIA Familiarícese con todas las instrucciones, advertencias de seguridad, ilustraciones y especificaciones proporcionadas con este producto. Si no se siguen las instrucciones del fabricante, se pueden producir descargas eléctricas, incendios y/o envenenamiento por monóxido de carbono que pueden provocar la muerte o lesiones graves.

AVISO Instale detectores de monóxido de carbono alimentados por baterías o detectores de monóxido de carbono enchufables con respaldo de batería en las áreas habitables.

- Este producto SÓLO debe usarse al aire libre.
- NUNCA use un generador en su casa, garaje, sótano, ático, sótano o cualquier otra área total o parcialmente cerrada. Áreas como estas pueden permitir que se acumulen niveles peligrosos de monóxido de carbono. El monóxido de carbono (CO), un gas invisible, inodoro y extremadamente venenoso, PUEDE MATARLO EN MINUTOS.
- Solo use EXTERIOR y lejos de ventanas, puertas y rejillas de ventilación según lo recomendado por los Centros para el Control y la Prevención de Enfermedades del Departamento de Salud y Servicios Humanos de EE. UU. Su hogar específico y/o las condiciones del viento pueden requerir una distancia adicional.
- El Código Eléctrico Nacional requiere el uso de un interruptor de transferencia u otro equipo de transferencia adecuado siempre que se conecte un generador portátil al sistema

SEGURIDAD

eléctrico de un edificio. Los interruptores de transferencia aíslan la energía del generador de la energía de la red pública y evitan la retroalimentación de energía eléctrica al sistema de la red pública.

NOTA: Un electricista calificado debe instalar un interruptor de transferencia de acuerdo con los códigos eléctricos aplicables. Algunas jurisdicciones pueden requerir que las autoridades locales inspeccionen la instalación. Conserve toda la información relevante de instalación, inspección y mantenimiento.

- Nunca utilice el generador para alimentar equipos de asistencia médica.
- Nunca exponga el generador a la lluvia, nieve, rocío de agua o agua estancada mientras está en uso. Almacene y opere la unidad en un lugar seco o cubierto (pero no cerrado).
- No permita que niños o personas no capacitadas operen el generador.
- Mantenga a los niños, transeúntes y mascotas a una distancia mínima de 10 pies de un generador en funcionamiento.
- Mantenga la distancia segura. Mientras opera y almacena, mantenga al menos cinco pies de espacio libre en todos los lados del generador, incluida la parte superior. Apague la unidad y deje que se enfríe durante un mínimo de 30 minutos antes de guardarla. El calor generado por el silenciador y los gases de escape podría ser lo suficientemente caliente como para causar quemaduras graves y/o encender objetos combustibles.
- No opere la unidad en áreas donde se almacenen materiales combustibles o peligrosos, incluidas las estaciones de servicio de gasolina y gas natural.
- No opere el generador descalzo, con las manos o los pies mojados, mientras está parado en el agua o en condiciones húmedas.
- No use esta unidad cuando esté cansado o bajo la influencia de drogas, alcohol o medicamentos.
- Riesgo de quemaduras. No toque las superficies calientes.
- No entre en contacto con el silenciador o el motor. Están muy CALIENTES y causarán quemaduras graves. No coloque partes del cuerpo ni materiales inflamables o combustibles en el camino directo del escape.
- Mantenga las manos, los dedos, los pies y otras partes del cuerpo alejadas de todas las piezas móviles del generador.
- No conecte cables eléctricos desgastados o dañados al generador. NUNCA toque cables deshilachados o expuestos.
- No opere el generador en una pendiente. La unidad siempre debe colocarse sobre una superficie plana y estable.
- Comprobar el estado físico del producto antes de cada uso. Busque pernos sueltos, fugas de líquido y otros signos de desgaste. Reemplace todos los artículos dañados. Para piezas de repuesto o asistencia, comuníquese con nuestro equipo de servicio al cliente.
- Para un rendimiento óptimo, use el generador en temperaturas entre 23 °F (-5 °C) y 104 °F (40 °C) con una humedad relativa máxima del 90%.
- Antes de arrancar el generador, revise todos los fluidos (aceite y gasolina).
- No quite la varilla medidora de aceite o la tapa de combustible cuando el generador esté funcionando.

- Apriete firmemente la varilla medidora de aceite después de agregar aceite y la tapa de combustible después de agregar gasolina.
- Evite el contacto de la piel con aceite de motor o gasolina. Use ropa y equipo de protección. Lave toda la piel expuesta con agua y jabón. El contacto prolongado de la piel con gasolina o aceite de motor puede causar irritación severa de la piel y otras reacciones adversas.
- El generador vibra y rebota durante el funcionamiento normal. Revise el generador y todos los cables conectados a él por cualquier daño que pueda haber resultado de la vibración. Reemplace o repare los artículos dañados según sea necesario. No utilice el generador ni ningún elemento que muestre signos de daño.
- Todas las herramientas y aparatos eléctricos que funcionen con este generador deben estar correctamente conectados a tierra mediante el uso de un tercer cable o tener doble aislamiento.
- Antes de transportar el generador, desconecte la funda de la bujía, drene el tanque de combustible y sujete adecuadamente la unidad.
- Puede haber fugas de combustible o aceite del generador durante el transporte. Coloque una toalla, una lámina de plástico o una almohadilla absorbente debajo de la unidad para proteger su vehículo.
- Para prolongar la vida útil de este producto, siga las instrucciones de la sección *Cuidado y mantenimiento* de este manual.
- Reemplace los elementos dañados o desgastados con piezas de repuesto recomendadas o equivalentes. El uso de una pieza incorrecta o incompatible podría crear un peligro que podría provocar lesiones personales graves.
- Retire siempre del generador cualquier herramienta u otro equipo de servicio utilizado durante el mantenimiento antes de ponerlo en funcionamiento.

TOMA DE TIERRA

Vea la figura 3.



ADVERTENCIA Peligro de choque. Si no se conecta a tierra correctamente el generador, se puede producir una descarga eléctrica.



AVISO Solo use cables de extensión, herramientas y electrodomésticos de 3 clavijas con conexión a tierra, o herramientas y electrodomésticos con doble aislamiento.

El neutro del generador está unido al marco. Hay un conductor permanente entre el generador (cable del estator) y el marco. Si este generador se utilizará únicamente con un equipo de cable y enchufe conectado a los receptáculos montados en el generador, el Código Eléctrico Nacional no requiere que la unidad esté conectada a tierra. Sin embargo, otros métodos de uso del generador pueden requerir conexión a tierra para reducir el riesgo de descarga o electrocución.

Antes de usar la terminal de tierra, consulte con un electricista calificado, un inspector eléctrico o una agencia local que tenga jurisdicción sobre los códigos u ordenanzas locales que se aplican al uso previsto del generador.

SEGURIDAD

DESCONEXIÓN DEL NEUTRO CONECTADO

Vea la figura 3.

El neutro adherido solo debe eliminarse en circunstancias específicas. Consulte a un electricista calificado para determinar si las circunstancias requieren desconectar el neutro unido.

- Retire la tapa del alternador.
- Retire el cable de puente verde/amarillo unido del perno de tierra y la conexión del terminal sin marcar. Vuelva a instalar los pernos y apriete firmemente.
- Mantenga el cable puente unido en un lugar seguro para que el generador pueda regresar a la configuración original.

AVISO

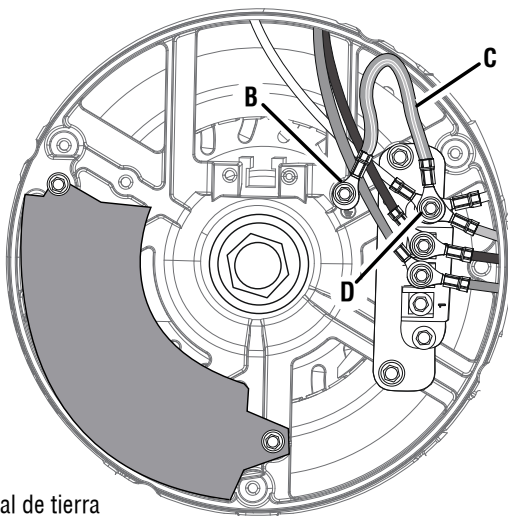
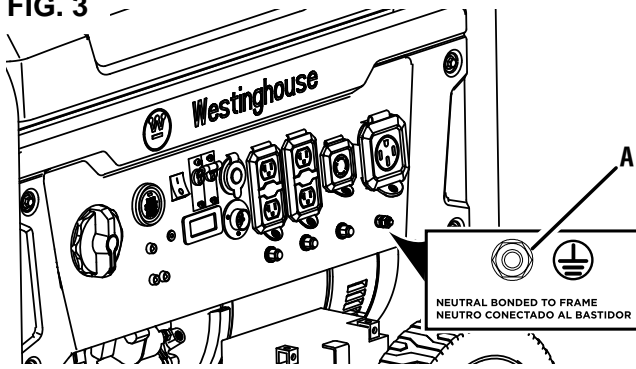
Aplique una nueva etiqueta "NEUTRO NO ADHERIDO" sobre la etiqueta "NEUTRO ADHERIDO AL MARCO" en la parte delantera del panel de control.

PRECAUCIONES DE SEGURIDAD PARA GASOLINA Y VAPOR DE GASOLINA

PELIGRO

Peligro de incendio y explosión. La gasolina es altamente explosiva e inflamable y puede causar quemaduras graves o la muerte.

FIG. 3



- A - Terminal de tierra
- B - Perno de tierra
- C - Cable puente unido (verde/amarillo)
- D - Conexión de terminal sin marcar

ADVERTENCIA

Peligro de incendio y quemaduras. NUNCA afloje o retire la tapa de combustible mientras el generador está funcionando. Apague la unidad y deje que se enfríe durante al menos cinco minutos antes de agregar gasolina. Afloje la tapa de combustible lentamente.

ADVERTENCIA

En caso de un incendio de gasolina, no intente extinguir la llama si el selector de combustible no está en la posición **OFF** (APAGADO). Introducir un extintor a un generador con un interruptor de combustible abierto podría crear un riesgo de explosión.

- Peligro de incendio. La gasolina es altamente inflamable. Tratar con cuidado.
- Nunca use gasolina como agente de limpieza.
- La gasolina irrita la piel y debe limpiarse inmediatamente si entra en contacto con la piel.
- No almacene gasolina cerca de hornos, calentadores de agua o cualquier otro aparato que produzca calor o tenga encendido automático.
- Mantenga la gasolina alejada de chispas, llamas abiertas, llamas piloto, calor y otras fuentes de ignición.
- Almacene cualquier recipiente que contenga gasolina en un área bien ventilada, lejos de cualquier combustible o fuente de ignición.
- SIEMPRE guarde la gasolina en un recipiente aprobado para gasolina. Los recipientes no aprobados pueden romperse o deteriorarse permitiendo que se escape la gasolina o los vapores de gasolina, lo que puede crear un peligro grave.
- La gasolina tiene un olor distintivo, esto ayudará a detectar posibles fugas rápidamente.
- Los vapores de gas pueden provocar un incendio si se inflaman.
- No fume cuando manipule combustible, agregue combustible al generador o vacíe el tanque de gasolina.
- Use protección para los ojos mientras reposta.
- Antes de agregar combustible al generador, apague la unidad y deje que se enfríe durante un mínimo de cinco minutos. Si es necesario, mueva la unidad a un terreno nivelado.
- No quite la tapa del tanque de combustible cuando el generador esté funcionando.
- Afloje la tapa de combustible lentamente para liberar la presión de manera segura, evitar que la gasolina se escape alrededor de la tapa y evitar que el calor del silenciador encienda los vapores de combustible.
- NUNCA llene el tanque de gasolina del generador más allá del anillo de llenado máximo en la pantalla de combustible. Mantener los niveles de gasolina en o por debajo del anillo de llenado permitirá la expansión del combustible. Llenar en exceso el tanque de combustible puede provocar un desbordamiento repentino de gasolina y provocar que la gasolina derramada entre en contacto con superficies CALIENTES.
- El combustible derramado puede encenderse. Limpie los derrames inmediatamente y permita que el área se seque

SEGURIDAD

antes de operar el generador. Nunca intente quemar el combustible derramado.

- Apriete firmemente la tapa de combustible después de agregar gasolina.
- No cubra la tapa de combustible mientras el generador está en funcionamiento. Cubrir la tapa puede hacer que el motor falle o dañe el producto.
- Drene el combustible antes de almacenar la unidad. Guarde la unidad y el combustible por separado en áreas bien ventiladas lejos de chispas, llamas abiertas, luces piloto, calor y otras fuentes de ignición.
- Apague la unidad y deje que se enfríe durante un mínimo de 30 minutos antes de drenar el combustible.

GAS LICUADO DE PETRÓLEO (GLP/PROPANO)

⚠ ADVERTENCIA Peligro de incendio y explosión. Nunca use un contenedor de gas, una manguera de GLP/propano, un cilindro de propano o cualquier otro elemento de combustible que parezca estar dañado. Si hay un fuerte olor a propano mientras opera el generador, cierre completamente la válvula del cilindro de propano inmediatamente. Una vez que el propano esté apagado, use agua jabonosa para verificar si hay fugas en la manguera y las conexiones en la válvula del tanque y el generador. No fume ni encienda un cigarrillo ni compruebe si hay fugas utilizando una fuente de llama abierta, como un fósforo o un encendedor. Si encuentra una fuga, comuníquese con un técnico calificado para que inspeccione y repare el sistema de GLP/propano antes de usar el generador.

⚠ PRECAUCIÓN Peligro de incendio y explosión. Utilice únicamente cilindros de propano aprobados con una válvula de dispositivo de prevención de sobrellenado (OPD). Mantenga siempre el depósito en posición vertical con la válvula hacia arriba y colocado a nivel del suelo sobre una superficie plana. No permita que los tanques estén cerca de ninguna fuente de calor. Al transportar y almacenar, gire la válvula del cilindro de propano a la posición completamente cerrada y desconecte el tanque. Asegúrese de cubrir siempre la entrada del generador y la salida del tanque con tapas protectoras de plástico.

- El GLP/propano es altamente inflamable y explosivo.
- En caso de incendio de GLP/propano, NO intente extinguir la llama si la válvula de combustible está en la posición de gas. Introducir un extintor a un generador con una válvula de combustible abierta podría crear un peligro de explosión.
- El GLP/propano puede asentarse en lugares bajos porque es más pesado que el aire.
- El GLP/propano tiene un olor distintivo agregado para ayudar a detectar posibles fugas. Si hay un olor, **NO** use el motor.
- Mantenga siempre un cilindro de propano en posición vertical.
- Cuando cambie los cilindros de propano, asegúrese de que la válvula del tanque sea del mismo tipo.

- LPG/propano quemará la piel. Evite el contacto con la piel en todo momento.
- Mantenga el cilindro de propano alejado del escape del generador.
- Los cilindros de propano grandes (500–1000 galones) requerirán que un plomero certificado instale la línea de combustible al generador y no se use el regulador suelto (el regulador que está conectado al tanque de combustible). La presión medida en el regulador montado en el generador debe ser de 7 a 14 pulgadas de columna de agua. Un plomero certificado debe asegurarse de que la presión sea la correcta o instalar un regulador reductor si es necesario.
- Asegúrese de que el generador y el cilindro de propano estén sobre una superficie plana antes de operar.
- Si hay olor a propano, no encienda la unidad porque puede haber una fuga potencial. Nunca coloque un cilindro de propano cerca del escape del motor.
- Al transportar, asegúrese de que el cilindro de propano y la manguera de GLP/propano no estén conectados al generador.
- Guarde el cilindro de propano lejos de chispas, llamas abiertas, luces piloto, calor y otras fuentes de ignición.
- No guarde el cilindro de propano cerca de hornos, calentadores de agua o cualquier otro aparato que produzca calor o tenga encendido automático.

GAS NATURAL (GN)

⚠ ADVERTENCIA Peligro de incendio y explosión. Nunca use una línea de suministro de gas natural, una manguera de gas natural o cualquier otro elemento de combustible que parezca estar dañado. Si hay un fuerte olor a gas natural mientras opera el generador, cierre todas las fuentes de gas inmediatamente. Una vez que el gas natural esté apagado, use agua jabonosa para verificar si hay fugas en la manguera y las conexiones en la fuente de alimentación secundaria y el generador. No fume ni encienda un cigarrillo ni compruebe si hay fugas utilizando una fuente de llama abierta, como un fósforo o un encendedor. Si encuentra una fuga, comuníquese con un plomero calificado para que inspeccione y repare el sistema de gas natural antes de usar el generador.

⚠ ADVERTENCIA El gas natural (GN) es altamente explosivo e inflamable y puede causar quemaduras graves o la muerte.

⚠ ADVERTENCIA No tienda la manguera de gas natural debajo de una terraza, patio flotante u otra estructura. La manguera debe estar visible.

⚠ ADVERTENCIA Para una instalación adecuada, consulte a un plomero de gas natural profesional con licencia.

⚠ ADVERTENCIA Apague el gas en la línea de suministro de gas natural cuando el generador no esté en uso.

SEGURIDAD

AVISO

La instalación del generador debe cumplir estrictamente con todas las leyes federales, estatales y locales aplicables, así como con los códigos y reglamentos. Las leyes y reglamentos relacionados con la instalación de este equipo se actualizan periódicamente y pueden variar según la jurisdicción local pertinente, cómo se usará el generador y el sitio de instalación. Consulte con la autoridad que tiene jurisdicción local (AHJ) para obtener una lista completa de leyes, reglamentos y códigos que pueden aplicarse a usted. **La información de este manual nunca debe interpretarse de manera que entre en conflicto con las leyes locales, estatales o federales. En caso de duda, respete siempre las leyes locales.**

- Inspeccione la manguera de gas natural antes de cada uso y reemplácela si está dañada.
- Utilice únicamente mangueras de gas natural que cumplan con las leyes locales, estatales o federales. Los requisitos de la manguera pueden variar en diferentes regiones. Consulte con la autoridad con jurisdicción local (AHJ).
- Verifique que la línea de suministro de gas natural de la casa haya sido instalada correctamente por un plomero calificado y que la manguera de gas natural esté bien conectada antes de usar el generador.
- Antes de arrancar el motor, purgue la línea de suministro de gas natural y realice una prueba de fugas.
- Siempre desconecte el generador y la manguera de gas natural de la línea de suministro de gas natural cuando se esté probando la presión del suministro de gas.
- Mantenga la manguera de gas natural y la línea de suministro de gas natural lejos del silenciador y otras superficies calientes.
- Mantenga un extintor de incendios cerca del generador en todo momento.

PRUEBA DE FUGAS

Vea la figura 4.

AVISO

Las conexiones de la manguera y la entrada de gas natural/propano se probaron en la fábrica para asegurarse de que no hubiera fugas de gas. Sin embargo, el envío y la manipulación pueden haber aflojado las conexiones. Recomendamos que siempre pruebe si hay fugas antes de usar el generador.

Para probar si hay fugas de gas natural (GN):

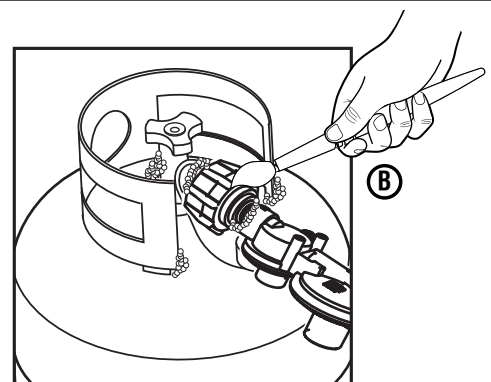
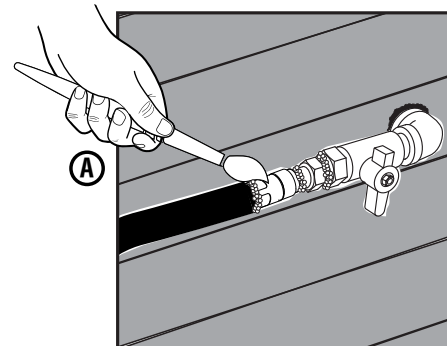
- Conecte la manguera de gas natural a la entrada de gas natural/propano en el generador y a la línea de suministro de gas natural.
- Cepille la entrada, las conexiones de la manguera y la válvula de suministro de gas con una solución jabonosa hecha con una mezcla 20/80 de agua y jabón suave.
- Si comienzan a crecer burbujas, hay una fuga.
 - Si la fuga está en la entrada, comuníquese con el servicio al cliente. **NO USE EL GENERADOR.**

- Si la fuga está en las conexiones de la manguera, vuelva a instalar la manguera de forma segura y vuelva a realizar la revisión. Si las fugas persisten, **NO UTILICE EL GENERADOR.**
- Si la fuga está en la línea de suministro de gas natural, **NO USE EL GENERADOR.**

Para probar si hay fugas de GLP/propano:

- Conecte la manguera de GLP/propano a la entrada de gas natural/propano en el generador ya la válvula del cilindro.
- Abra la válvula del cilindro. Si escucha un sonido acelerado, cierre inmediatamente la válvula del cilindro. Este ruido indica una fuga importante en la conexión. Reemplace el cilindro o hágalo reparar.
- Cepille la entrada, las conexiones de la manguera y el cilindro de gas LP con una solución jabonosa hecha con una mezcla 20/80 de agua y jabón suave.
- Si comienzan a crecer burbujas, hay una fuga.
 - Si la fuga está en la entrada, comuníquese con el servicio al cliente. **NO USE EL GENERADOR.**
 - Si la fuga está en las conexiones de la manguera, vuelva a instalar la manguera de forma segura y vuelva a realizar la revisión. Si las fugas persisten, **NO UTILICE EL GENERADOR.**
 - Si la fuga está en el cilindro, no use ni mueva el cilindro. Comuníquese con el departamento de bomberos o con el proveedor de gas.

FIG. 4



- A - Prueba de fugas con agua jabonosa (gas natural)
- B - Prueba de fugas con agua jabonosa (propano)

SEGURIDAD

INFORMACIÓN IMPORTANTE PARA EL SENSOR DE CO

El sensor de CO controla la acumulación de gas venenoso de monóxido de carbono alrededor del generador cuando el motor está en marcha. Si se detectan niveles crecientes de gas CO, el sensor de CO apaga automáticamente el motor.

El sensor de CO también detectará la acumulación de monóxido de carbono de otras fuentes de combustión de combustible utilizadas en el área de operación. Por ejemplo, si el escape de las herramientas que queman combustible apunta a un generador equipado con un sensor de CO, se puede iniciar un apagado debido al aumento de los niveles de CO. Esto no es un error. Se ha detectado monóxido de carbono peligroso. Mueva y redirija cualquier fuente de quema de combustible adicional para disipar el monóxido de carbono lejos del personal y los edificios ocupados.

NOTA: Los generadores equipados con arranque remoto deben reiniciarse con el botón START/STOP en el panel de control después de que ocurra un apagado automático.

Los generadores están diseñados para usarse al aire libre, lejos de edificios ocupados y el escape apunta lejos del personal y los edificios. Si se usa incorrectamente y se opera en un lugar que resulta en la acumulación de CO, como en un área parcialmente cerrada, el sensor de CO apaga el motor y la luz indicadora ROJA parpadeará notificando al usuario que hay niveles peligrosos de monóxido de carbono.

Si el generador se apaga y la luz indicadora ROJA parpadea, abandone el área inmediatamente. Espere a que el monóxido de carbono se disipe y la luz indicadora ROJA se apague antes de regresar al área afectada. Una vez que sea seguro regresar, lea la etiqueta de acción para conocer los pasos a seguir. El sensor de CO **NO** reemplaza las alarmas de monóxido de carbono. Instale alarmas de monóxido de carbono alimentadas por baterías en su hogar.

⚠ ADVERTENCIA El apagado automático acompañado de una luz ROJA parpadeante en la parte del sensor de CO del panel de control es una indicación de que el generador se ubicó incorrectamente, lo que permitió que el monóxido de carbono se acumulara a niveles inseguros. Si comienza a sentirse enfermo, mareado, débil o los detectores de monóxido de carbono en su hogar indican una alarma, salga al aire libre de inmediato. Llame a los servicios de emergencia. Es posible que tenga intoxicación por monóxido de carbono.

ENTENDIENDO LAS LUCES INDICADORAS DEL SENSOR CO

Vea la figura 5.



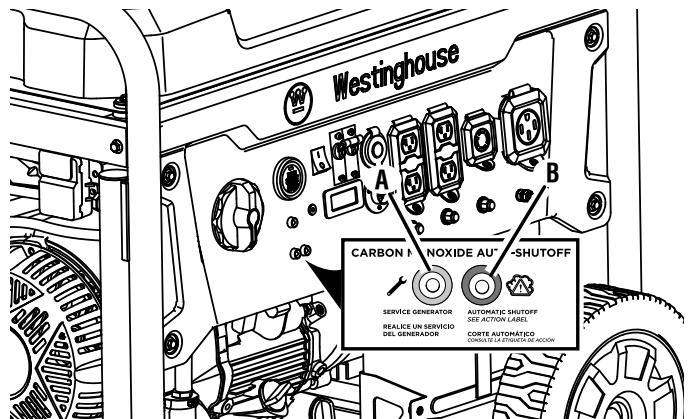
| COLOR | DESCRIPCIÓN |
|---|---|
| <p>ROJA</p>  | <p>Niveles peligrosos de monóxido de carbono acumulados alrededor del generador. Después del apagado, la luz indicadora ROJA en el área del sensor de CO del panel de control parpadeará para notificar que el generador se apagó debido a que los niveles de monóxido de carbono superaron un umbral seguro. La luz ROJA parpadeará durante al menos cinco minutos después de un corte de CO.</p> <p>Cuando sea seguro hacerlo, mueva el generador a un área abierta al aire libre lejos de los espacios ocupados con el escape apuntando hacia afuera. Una vez reubicado en un área segura y la luz roja está apagada, se puede reiniciar el generador. Introduzca aire fresco y ventile el área donde se apagó el generador.</p> |
| <p>AMARILLO</p>  | <p>Ocurrió una falla en el sistema del sensor de CO. Cuando ocurre una falla en el sistema, el generador se apaga automáticamente y la luz indicadora AMARILLA en el área de apagado automático de CO del panel de control parpadeará para notificar que se ha producido una falla. La luz AMARILLA parpadeará durante al menos cinco minutos después de una falla. El generador puede reiniciarse pero puede continuar apagándose. Una falla del sensor de CO solo puede ser diagnosticada y reparada por un centro de servicio autorizado de Westinghouse.</p> |

FIG. 5



- A - LED del generador de servicio
- B - LED de apagado automático

SEGURIDAD

ETIQUETAS Y CALCOMANÍAS DE SEGURIDAD

La siguiente información se encuentra en las etiquetas y calcomanías de su generador.

① Etiqueta de acción

Si se acumulan niveles peligrosos de monóxido de carbono alrededor del generador, se producirá un apagado automático. Si la unidad se apaga, abandone el área inmediatamente. Cuando sea seguro regresar, haga lo siguiente:

- Mueva el generador a un área abierta al aire libre.
- Apunte el escape hacia afuera.
- No haga funcionar el generador en áreas cerradas (por ejemplo, fuera de la casa o el garaje).
- Muévase al aire libre.
- Consiga ayuda médica si está enfermo, mareado o débil.
- **ADVERTENCIA** – La manipulación del sensor de monóxido de carbono podría resultar en una condición peligrosa.

② Monóxido de carbono

- Usar un generador en interiores **PUEDA MATARLO EN MINUTOS**. El escape del generador contiene monóxido de carbono. Este es un veneno que no se puede ver ni oler.
- **NUNCA** lo use dentro de una casa o un garaje, **INCLUSO** Si las puertas y ventanas están abiertas.

③ Llevar el generador afuera

Los generadores están destinados a ser utilizados al aire libre

④ Proposición 65 de California

Cáncer y daño reproductivo — www.P65Warnings.ca.gov/product

⑤ Peligro de punto de pellizco

Mantenga los dedos y las manos alejados del punto de pellizco.

⑥ Agregar aceite

Agregue aceite de motor hasta que el nivel de aceite esté dentro del rango de funcionamiento seguro.

⑦ Especificaciones

(Vea página 3)

⑧ Superficie caliente

No tocar

⑨ Estrangular encendido/apagado

El generador tiene un estrangulador de dos posiciones.

⑩ Etiqueta de rendimiento

(Vea página 3)

① ACTION LABEL
ETIQUETA DE FUNCIONAMIENTO
ÉTIQUETTE D'ACTION

AUTOMATIC SHUTOFF - YOU MUST:
ETIQUETA DE FUNCIONAMIENTO:
ÉTIQUETTE D'ACTION:

- MOVE GENERATOR TO AN OPEN, OUTDOOR AREA.
- POINT EXHAUST AWAY.
- DON'T RUN GENERATOR IN ENCLOSED AREAS (E.G., NOT IN HOUSE OR GARAGE).
- MOVER EL GENERADOR A UN ÁREA ABIERTA, EN EXTERIORES.
- ORIENTAR EL TUBO DE ESCAPE HACIA AFUERA.
- NO ACTIVAR EL GENERADOR EN ÁREAS CERRADAS (P. EJ. EN UNA CASA O GARAJE).
- DÉPLACER LA GÉNÉRATRICE DANS UN ESPACE EXTÉRIEUR OUVERT.
- DIRIGER L'ÉCHAPPEMENT LOIN DE VOUS.
- NE PAS FAIRE FONCTIONNER LA GÉNÉRATRICE DANS DES ENDOITS FERMÉS (P. EX. DANS LA MAISON OU LE GARAGE).

WARNING
ADVERTENCIA
AVERTISSEMENT

TAMPERING WITH CARBON MONOXIDE SENSOR COULD RESULT IN HAZARDOUS CONDITION
HACER ALTERACIONES CON SENSOR DE MONÓXIDO DE CARBONO PODRÍA OCASIONAR CONDICIONES PELIGROSAS
L'ALÉRIATION DE CAPTEUR DE MONÓXYDE DE CARBONE PEUT ENTRAÎNER DES CONDITIONS DANGEREUSES

MOVE TO FRESH AIR.
• GET MEDICAL HELP IF SICK, DIZZY OR WEAK.
• MOVER AL AIRE LIBRE.
• OBTENER AYUDA MÉDICA SI SE SIENTE ENFERMO, MAREADO O DÉBIL.
• VOUS RETIRER À L'AIR FRAIS
• CONSULTER UN MÉDECIN SI VOUS ÊTES MALADE, ÉTOURDI OU FAIBLE

POINT ORIENTAR DIRIGIR
EXHAUST EL TUBO DE ESCAPE
AWAY HACIA AFUERA LOIN DE VOUS

② DANGER

USING A GENERATOR INDOORS CAN KILL YOU IN MINUTES. GENERATOR EXHAUST CONTAINS CARBON MONOXIDE. THIS IS A POISON YOU CANNOT SEE OR SMELL.

NEVER USE INSIDE A HOME OR GARAGE, EVEN IF DOORS AND WINDOWS ARE OPEN.

ONLY USE OUTSIDE AND FAR AWAY FROM WINDOWS, DOORS, AND VENTS.

DANGER **PELIGRO**

Utiliser un générateur à l'intérieur PEUT VOUS TUER EN QUELQUES MINUTES. Les gaz d'échappement du générateur contiennent du monoxyde de carbone. C'est un gaz toxique invisible et inodore.

NE JAMAIS utiliser à l'intérieur d'une maison ou d'un garage, MÊME SI les portes et les fenêtres sont ouvertes.

Utiliser UNIQUEMENT à l'EXTÉRIEUR et loin des fenêtres, portes et ventilations.

Si usa un generador en interiores MORRÁ EN POCOS MINUTOS. El escape del generador contiene monóxido de carbono. Es un veneno que no tiene olor ni se puede ver.

NUNCA lo use dentro de una casa o garaje, AUN si las puertas y ventanas están abiertas.

Solo use en EXTERIORES y lejos de ventanas, puertas y ductos de ventilación.

③ TAKE GENERATOR OUTSIDE

Generators are intended to be used outdoors, far from occupied buildings and the exhaust pointed away from personnel and buildings. This generator is equipped with a carbon monoxide auto-shutoff system (CO Sensor). The CO Sensor monitors for the accumulation of poisonous carbon monoxide (CO) gas around the generator when the engine is running. If the generator is operated in a location that results in the accumulation of CO and increasing levels of CO gas are detected, the CO Sensor is designed to shut down the engine and notify the user with a red indicator light.

THE CO SENSOR DOES NOT REPLACE CARBON MONOXIDE ALARMS.

Install battery-powered carbon monoxide alarm(s) in your home or plug-in carbon monoxide detectors with battery back-up in living areas.

Refer to the User Manual and Action Label located on top of generator for steps to take.

Disconnecting or modifying the CO sensor will make the generator inoperable.

④ WARNING: Cancer and reproductive harm - www.P65Warnings.ca.gov/product

AVERTISSEMENT: Cancer et problèmes de reproduction - www.P65Warnings.ca.gov/product

ADVERTENCIA: Cáncer y daños al sistema reproductor - www.P65Warnings.ca.gov/product

⑤

Icon showing a hand being burned by a hot surface.

⑥

Icon showing a hand being cut by a sharp edge.

⑦ Westinghouse

Westinghouse Outdoor Power Equipment
Columbus Ohio 43228 USA

| | | | | | |
|-------------------------|----------------|-----------------------------------|--|-------------------------------------|--------------|
| Rev. Level / Révision | | Power (Rated) / Puissance (Nom.) | 11.5kW GAS LPG 9.5kW NG | Insul Class / Classe D'isol. | H |
| Phase | Single | Power (Peak) / Puissance (Pointe) | 14.5kW GAS 12kW NG | Max Amb Temp / Temp. Amb. Max | 40°C (104°F) |
| AC Voltage / Tension CA | 120/240V | Frequency / Fréquence | 60Hz | Duty Service | S1 |
| Made in: / Facteur de: | Model / Modèle | AC Current / Intensité CA | 95.8/47.9A GAS 87.9/43.75A LPG 78.3/39.1A NG | RPM / TR/MIN | 3600rpm |
| | | | | Power Factor / Facteur de puissance | 1.0 |

Serial No./No. De Série

Register your product:

⑧ CAUTION HOT SURFACES

PRECAUCIÓN SUPERFICIES CALIENTES

ATTENTION AUX SURFACES CHAUDES

Icon showing a hand being burned by a hot surface.

⑨ CHOKE

OFF ON

Icon showing a choke lever with arrows pointing left and right.

| | | | |
|----------|--------------------------|--------------------------|--------------------------|
| ⑩ | GASOLINE | PROPANE | NATURAL GAS |
| | 11500 14500 | 10500 13500 | 9500 12000 |
| | RUNNING WATTS PEAK WATTS | RUNNING WATTS PEAK WATTS | RUNNING WATTS PEAK WATTS |

SEGURIDAD

11 Capacidad de combustible

Este generador tiene un tanque de combustible de 9.5 galones. SIEMPRE use gasolina LIMPIA, FRESCA, sin plomo (87–93 octanos) en esta unidad. No use combustible E15 o E85 en este producto.

12 Desplazamiento del motor

Esta unidad tiene un motor de 550 cc.

13 Etiqueta de peligro

Lea el Manual del usuario antes de operar el generador. La gasolina, el gas natural y el GLP/propano son altamente inflamables. Las fugas de gasolina, gas natural o GLP pueden provocar un incendio o una explosión si se encienden. Si huele a gasolina, gas natural o propano mientras opera la unidad, CIERRE inmediatamente la válvula de combustible y/o propano. Mantenga el recipiente de gasolina, las mangueras de gas natural y el cilindro de propano alejados del escape.

14 No aceite

Se ha drenado el aceite de la unidad para el envío. Agregue aceite antes de intentar operar la unidad.

15 Etiqueta de precaución

Apague el propano y el gas natural cuando el generador esté apagado o cuando el generador esté usando gas.

16 Mantener el filtro de aire

Limpie el filtro de aire cada 50 horas (cada 10 horas si opera en condiciones polvorrientas).

17 Válvula de combustible

Gire la válvula de combustible a la posición de encendido cuando arranque la unidad. Gire la válvula de combustible a la posición de apagado cuando la unidad no esté en uso.

18 Servicio al Cliente

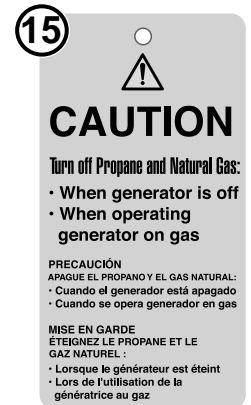
Para asistencia técnica o servicio llame gratis al 1-855-944-9571.

19 Instrucciones de inicio EZ

Consulte la etiqueta de "Instrucciones de arranque EZ" y las instrucciones en la sección de *Operaciones* cuando arranque y detenga el generador.

20 Símbolos de Seguridad

(Vea página 4)



| | | | |
|--|--|--|-----------------|
| 13 | ⚠ DANGER | ⚠ PELIGRO | ⚠ DANGER |
| <p>Read User Manual before operating generator. Gasoline and LPG/Propane is highly flammable. Leaking gasoline or LPG can cause a fire or explosion if ignited. If you smell gasoline or propane while operating the unit, immediately shut OFF the fuel and/or propane valve. Keep gasoline container and propane tank away from exhaust.</p> | <p>Lea el manual del propietario antes de operar el generador con GLP / propano. GLP / propano es altamente inflamable. La fuga de gas LP puede causar un incendio o una explosión si se enciende. Si huele a propano mientras está operando la unidad, apague inmediatamente la válvula de propano. Mantenga el tanque de propano lejos del escape.</p> | <p>Lisez le manuel du propriétaire avant d'utiliser le générateur sur le propane. Le propane est hautement inflammable. Une fuite de gaz peut provoquer un incendie ou une explosion si elle s'allume. Si vous sentez le propane pendant que vous utilisez l'unité, fermez immédiatement la vanne de propane. Gardez le réservoir de propane à l'écart de l'échappement.</p> | |

| | | | | | |
|--|---|---|--|---|-----------------------------------|
| 16 | MANTENIR EL FILTRO DE AIRE | MANTENGA EL FILTRO DE AIRE | ENTRETIEN DU FILTRE À AIR | 17 FUEL VALVE | 18 3 YEAR LIMITED WARRANTY |
| <p>Rinse with cleansing solvent and dry once every 50 hours (every 10 hours if operating in dusty conditions) and then immerse in clean engine oil until saturated. Squeeze out excessive oil.</p> | <p>Limpíelo según las instrucciones en el manual del usuario y séquelo una vez cada 50 horas (o cada 10 horas en condiciones cuando haya mucho polvo) entonces sumérjelo en aceite de motor limpio hasta saturarse, exprima el aceite de sobra.</p> | <p>Rincer avec un solvant nettoyant et faire sécher toutes les 50 heures (toutes les 10 heures en cas de conditions poussiéreuses), puis immerger dans de l'huile moteur propre jusqu'à saturation. Serrer pour enlever l'excédent d'huile.</p> | <p>FOR TECHNICAL ASSISTANCE or SERVICE CALL TOLL FREE 1-855-944-3571</p> | <p>PARA AYUDA TÉCNICA O SERVICIO LLAMADA SIN COSTOS AL 1-855-944-3571</p> | <p>3 YEAR LIMITED WARRANTY</p> |

| | | | | | | | | | | | | | | | | | |
|-----------|------------------------------|---------------------------|---------------------------|--------------------------|-----------------------------|------------------------------|---------------------------------|---------------------------|-----------------------------|---------------------------|---------------------------|--------------------------|-------------------------|------------------------------|-----------------------------|-----------------------------|-----------------------------|
| 19 | EZ Start Instructions | INICIO DE GASOLINA | DEBUT DE L'ESSENCE | INICIO DE PROPANO | DEMARPAGE AU PROPANE | INICIO DE GAS NATURAL | DEMARPAGE AU GAS NATURAL | OPCIONES DE INICIO | OPTIONS DE DEMARRAGE | PARADA DE GASOLINA | ARRÊT DE L'ESSENCE | PARADA DE PROPANO | ARRÊT DU PROPANE | PARADA DE GAS NATURAL | ARRÊT DU GAS NATURAL | PARADA DE LA BATERIA | ARRÊT DE LA BATTERIE |
|-----------|------------------------------|---------------------------|---------------------------|--------------------------|-----------------------------|------------------------------|---------------------------------|---------------------------|-----------------------------|---------------------------|---------------------------|--------------------------|-------------------------|------------------------------|-----------------------------|-----------------------------|-----------------------------|

| | | | |
|--|---|---|--|
| 20 | ⚠ DANGER | ⚠ PELIGRO | ⚠ DANGER |
| <p>Failure to follow warnings, instructions and operator's manual will result in death or serious injury.</p> | <p>Hot muffler and exhaust gases can cause fires. Keep at least 5ft (1.5 m) distance from any combustibles or structures, including overhead.</p> | <p>No obedecer las advertencias e instrucciones y el manual del operador provocará lesiones graves o la muerte.</p> | <p>Los gases calientes del escape podrían causar un incendio. Deje un espacio libre de al menos 1.5 m de cualquier combustible o estructura, incluyendo por encima.</p> |
| <p>Failure to follow warnings, instructions and operator's manual will result in death or serious injury.</p> | <p>Exhaust contains poisonous carbon monoxide gas that can cause unconsciousness or DEATH. Install Carbon Monoxide alarms inside home.</p> | <p>El generador podría causar una descarga eléctrica.</p> | <p>Los gases de escape contienen monóxido de carbono venenoso que puede causar pérdida del conocimiento o la MUERTE. Instale alarmas de monóxido de carbono dentro de la casa.</p> |
| <p>Never fuel unit with engine running. Always fuel in well-ventilated area. Always allow unit to cool before fueling.</p> | <p>For electrical equipment only. Failure to properly ground generator can result in electrocution.</p> | <p>Nunca cargue la unidad con el motor en marcha. Cargue siempre en un área bien ventilada. Siempre deje que la unidad se enfríe antes de cargar combustible.</p> | <p>Si se para equipo eléctrico. No conectar a tierra correctamente el generador puede provocar una electrocución.</p> |

CAPACIDAD DEL GENERADOR

AVISO

No sobrecargue la capacidad del generador. Exceder la capacidad de vataje/amperaje del generador puede dañar el generador y/o los dispositivos eléctricos conectados a él.

Revise las **Especificaciones** de este generador y registre los watts de funcionamiento (continuos) y máximos (de arranque). En general, cuanto mayor sea la potencia, más dispositivos se pueden alimentar al mismo tiempo. Deben tenerse en cuenta los requisitos de alimentación total de todos los dispositivos conectados. Los requisitos de energía a menudo se enumeran en la etiqueta de datos o placa de identificación de un dispositivo.

Para determinar los requisitos de energía:

- Elija los dispositivos que desea alimentar simultáneamente.
- Registre y sume los watts de funcionamiento (continuos) de cada dispositivo. El generador debe producir continuamente esta cantidad de vataje para mantener los dispositivos en funcionamiento.
- Registre los watts máximos (inicial) de cada dispositivo. Esta es la oleada momentánea de energía requerida para arrancar motores eléctricos en algunas herramientas y electrodomésticos.
- Seleccione el dispositivo con el vataje máximo (inicial) más alto. Sume los watts máximos (inicial) de ese dispositivo al total de watts en funcionamiento (continuos) de todos los dispositivos conectados para determinar el requisito de potencia máxima total para el generador.

NOTA: El requerimiento total de potencia máximo total asume el arranque intermitente de los dispositivos. Ajuste la estimación si los dispositivos alcanzan el potencia máximo al mismo tiempo.

GESTIÓN DE LA ENERGÍA DEL GENERADOR

Para prolongar la vida útil del generador, tenga cuidado al agregar cargas eléctricas. Desconecte todas las cargas antes de arrancar el generador. La forma más segura de administrar la energía del generador es agregar cargas secuencialmente haciendo lo siguiente:

- Retire todas las cargas y arranque el generador como se describe más adelante en este manual.
- Conecte e inicie el dispositivo o aparato más grande. Los requisitos de energía a menudo se enumeran en la etiqueta de datos o placa de identificación de un dispositivo.
- Permita que la salida del generador se estabilice. Una vez estable, el motor debería funcionar sin problemas y el dispositivo debería funcionar correctamente.
- Conecte e inicie el siguiente dispositivo o aparato más grande.
- Permita que la salida del generador se estabilice.
- Repita este proceso para cada carga adicional.

CABLES DE EXTENSIÓN



ADVERTENCIA

Peligro de asfixia. Los cables de extensión que van directamente a la casa aumentan el riesgo de envenenamiento por monóxido de carbono a través de cualquier abertura. Si se utiliza un cable de extensión que se conecta directamente a su hogar para alimentar elementos interiores, existe el riesgo de envenenamiento por monóxido de carbono para las personas que se encuentran dentro del hogar. Siempre use detectores de monóxido de carbono alimentados por batería que cumplan con los estándares de seguridad UL 2034 actuales cuando haga funcionar el generador. Controle regularmente la batería del (de los) detector(es).



ADVERTENCIA

Peligro de asfixia. Cuando opere el generador con cables de extensión, asegúrese de que el generador esté ubicado en un área abierta al aire libre lejos de los espacios ocupados con el escape apuntando hacia afuera.



ADVERTENCIA

Peligro de incendio y electrocución. Nunca use cables de extensión desgastados o dañados. Los cables de extensión dañados o sobrecargados pueden sobrecalentarse, formar arcos eléctricos y quemarse, lo que podría causar la muerte o lesiones graves.

Antes de conectar un aparato de CA o un cable de alimentación al generador:

- Use cables de extensión, herramientas y electrodomésticos con conexión a tierra de 3 clavijas, o herramientas y electrodomésticos con doble aislamiento.
- Asegúrese de que la herramienta o aparato esté en buenas condiciones de funcionamiento. Los electrodomésticos o cables de alimentación defectuosos pueden crear un potencial de descarga eléctrica.
- Asegúrese de que la clasificación eléctrica de la herramienta o aparato no exceda la potencia nominal del generador o del receptáculo que se está utilizando.

AVISO

No exceda la capacidad de la unidad. Sobrecargar la capacidad de vataje y/o amperaje del generador podría dañar los dispositivos conectados y los componentes críticos del generador.

TAMAÑO DEL CABLE DE EXTENSIÓN

Asegúrese de que su cable de extensión pueda transportar la carga requerida. Los cables que son demasiado pequeños pueden causar una caída de voltaje que puede causar que el cable se sobrecaliente o cause daños a la propiedad. Consulte las pautas del fabricante del cable para conocer el tamaño y la longitud adecuados.

COMPONENTES

ENTENDIENDO SU GENERADOR

Vea las figuras 6 y 7.

Para reducir el riesgo de lesiones y fallas del producto, lea y comprenda la información de este manual del usuario, así como la información de la etiqueta del producto.

RECEPTÁCULOS DE 120 VOLTIOS CA, 20 AMPERIOS

Esta unidad tiene dos receptáculos monofásicos de 60 Hz capaces de transportar un máximo de 20 amperios.

RECEPTÁCULOS DE CA DE 120/240 VOLTIOS (50 AMPERIOS)

Este receptáculo puede suministrar 120 V o 240 V hasta 50 amperios.

PUERTO DE CARGA DE BATERÍA

Utilice el puerto de carga de la batería junto con el cargador de batería incluido para cargar la batería.

INDICADOR DE BATERIA

Indica que la energía de la batería está disponible. La luz permanecerá iluminada mientras la batería tenga carga.

INTERRUPTOR DE BATERÍA

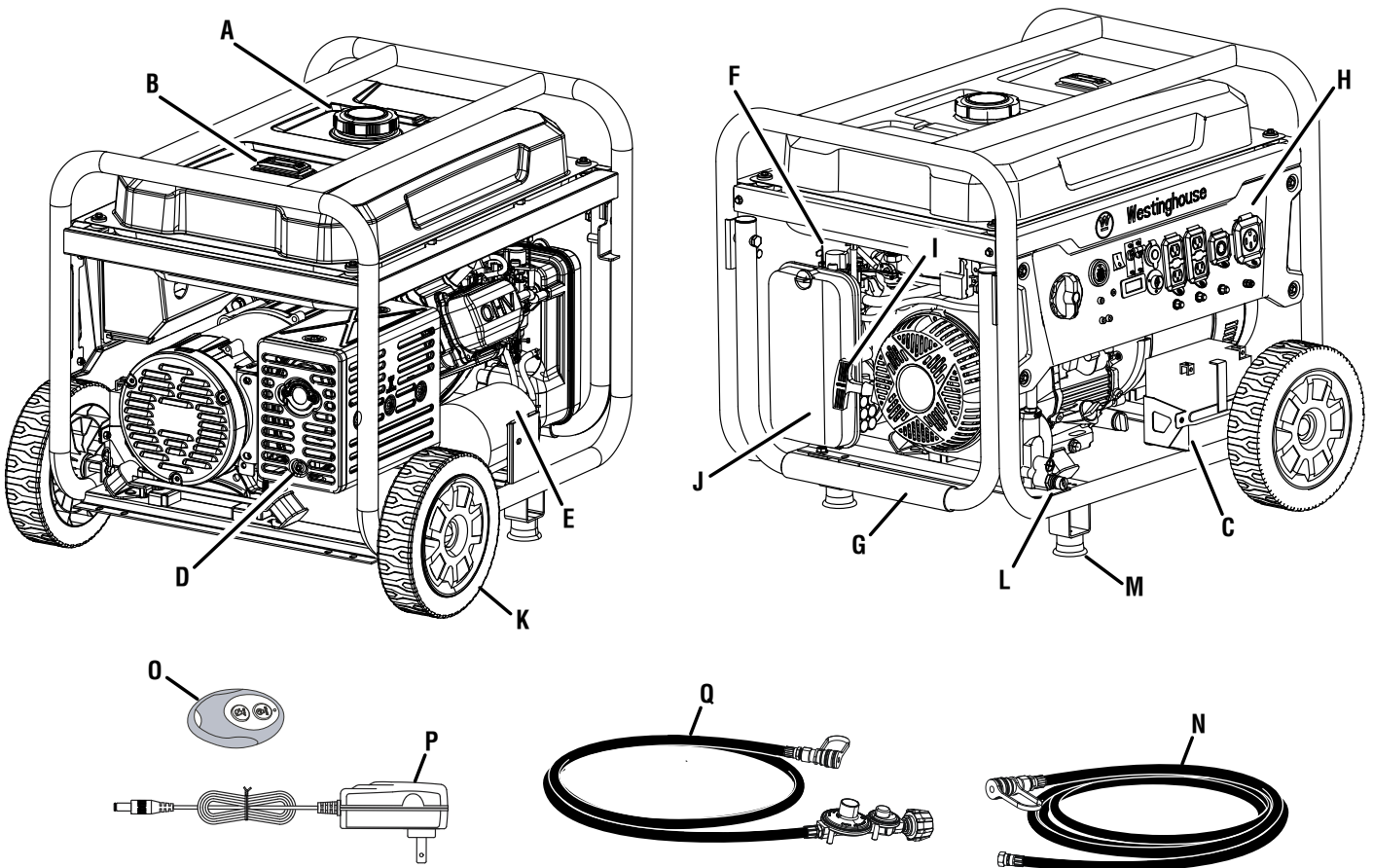
Activa o desactiva el arranque eléctrico. El interruptor de la batería debe estar en la posición ENCENDIDO para usar el arranque remoto.

DISYUNTORES (20 AMPERIOS Y 30 AMPERIOS)

Los disyuntores protegen los circuitos individuales de sobrecargas eléctricas.

NOTA: El disyuntor de 20 amperios limita la corriente que se puede suministrar a través de los receptáculos GFCI 5-20R a 20 amperios y el disyuntor de 30 amperios limita la corriente para el receptáculo L14-30R a 30 amperios.

FIG. 6



- A - Tapa de combustible
- B - Medidor de combustible
- C - Batería
- D - Silenciador/parachispas
- E - Bote de carbón
- F - Carburador/estrangulador

- G - Mango
- H - Panel de control
- I - Mango de retroceso
- J - Cubierta del filtro de aire
- K - Rueda
- L - Entrada de gas natural/propano

- M - Pie
- N - Manguera de gas natural
- O - Llavero control remoto
- P - Cargador
- Q - Manguera de GLP/Propano

COMPONENTES

LUCES INDICADORAS DEL SENSOR DE CO

El sensor de CO monitorea la acumulación de monóxido de carbono venenoso. Si se detectan niveles crecientes de gas CO, el sensor de CO apaga automáticamente el motor.

CENTRO DE DATOS

Muestra el voltaje, la frecuencia, el contador de horas totales y el temporizador de funcionamiento/mantenimiento.

BOTÓN DE ENCENDIDO/APAGADO DEL MOTOR

Presione una vez para arrancar automáticamente el motor. Empuje de nuevo para detener el motor.

SELECTOR DE COMBUSTIBLE

Utilice el selector de combustible para elegir una fuente de combustible de gasolina, propano o gas natural.

TANQUE DE COMBUSTIBLE

El generador tiene un tanque de combustible con una capacidad de 9,5 galones.

NOTA: El indicador de combustible en la parte superior del tanque muestra el nivel de combustible aproximado.

TERMINAL DE TIERRA

El terminal de tierra se utiliza para conectar a tierra externamente el generador.

DISYUNTOR PRINCIPAL

El disyuntor principal controla la salida total de todos los tomacorrientes para proteger al generador de sobrecargas o cortocircuitos.

SILENCIADOR Y PARACHISPAS

El parachispas evita que las chispas salgan del silenciador. Debe ser removido para el servicio.

AVISO

El parachispas es un dispositivo de seguridad que evita que las chispas salgan del silenciador y creen un riesgo de incendio. En ciertos lugares, la ley puede exigir un parachispas. Es responsabilidad del operador conocer y seguir todas las leyes y reglamentos locales relacionados con los requisitos de prevención de incendios.

VARILLA DE ACEITE

Desenrosque la varilla medidora de aceite para verificar los niveles de aceite y agregue aceite cuando sea necesario.

MANIJA DE RETROCESO

Use la manija de retroceso (y el interruptor de control de motor/combustible) para arrancar el generador.

ARRANQUE REMOTO

Use el llavero para encender el generador de forma remota.

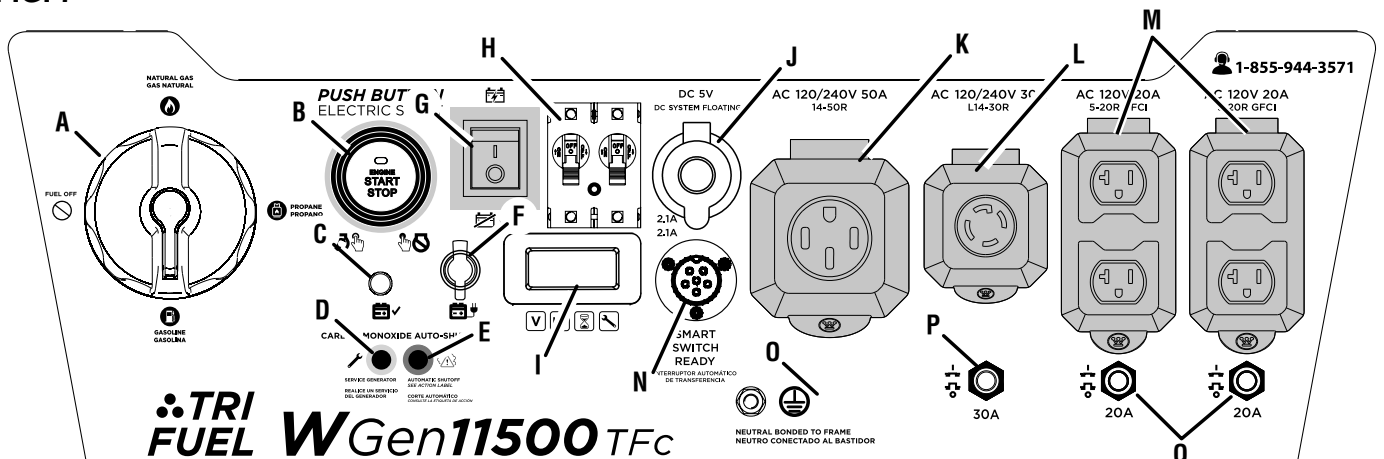
SALIDA DE INTERRUPTOR INTELIGENTE

La salida del interruptor inteligente le permite conectar un interruptor Westinghouse ST (se vende por separado) al generador.

PUERTOS USB

Salida USB de dos puertos 5V/2.1A. Acepta enchufes USB tipo A.

FIG. 7



- | | | |
|---|--|--|
| A - Selector de combustible | G - Interruptor de batería | L - Receptáculo de CA de 120/240 voltios (30 amperios) |
| B - Botón de encendido/apagado del motor | H - Disyuntor principal | M - Receptáculos GFCI de 120 voltios CA y 20 amperios |
| C - Indicador de batería | I - Centro de datos | N - Salida de interruptor inteligente |
| D - LED del generador de servicio (service generator) | J - Puertos USB | O - Terminal de tierra |
| E - LED de apagado automático (automatic shutoff) | K - Receptáculo de CA de 120/240 voltios (50 amperios) | P - Disyuntor de 30 amperios |
| F - Puerto de carga de la batería | | Q - Disyuntor de 20 amperios |

MONTAJE

⚠ ADVERTENCIA Peligro de peso. Tenga siempre ayuda para levantar el generador. Nunca intente levantar la unidad por el asa. Sostenga la unidad por el marco y utilice las técnicas de elevación adecuadas para reducir el riesgo de lesiones en la espalda.

EXTRACCIÓN DEL CONTENIDO DE LA CAJA

⚠ ADVERTENCIA Este producto requiere montaje. No intente operar este producto si alguno de los elementos de la **LISTA INCLUIDA** ya está ensamblado cuando retira el contenido de la caja. Estos artículos no son ensamblados por el fabricante y deben requerir el ensamblaje por parte del cliente. El uso de un producto ensamblado incorrectamente puede ser peligroso y podría provocar lesiones personales graves.

- Corte con cuidado los lados del embalaje y retire el contenido de la caja.
- Inspeccione el contenido de la caja. Verifique que todos los artículos en la **LISTA INCLUIDA** estén presentes y sin daños.
- Recicle o deseche los materiales de embalaje de forma adecuada.

LISTA INCLUIDA

Vea la figura 8.

Generador, ruedas, ejes, arandelas, pasadores de enganche, pernos, llavero control remoto, cargador, manguera de gas propano, manguera de gas natural, aceite de motor (SAE 10W 30), embudo, llave de tubo para bujías, guía de inicio rápido, manual del usuario

Si falta alguna pieza, comuníquese con nuestro equipo de servicio a service@wpowereq.com o llame al 1-855-944-3571.

INSTALACIÓN DE LOS PIES

Vea la figura 9.

- Coloque el generador sobre una superficie plana.
- Levante el lado de la mango del generador lo suficientemente alto para tener acceso a la barra transversal en la parte inferior del marco.
- Coloque puntales debajo del generador para que sirvan como soporte temporal.
- Localice los pies y los pernos.
- Alinee los agujeros en un pie con las tuercas en la barra transversal.
- Inserte los pernos a través de los agujeros en el pie y las tuercas en la barra transversal.
- Apriete los pernos de forma segura. **No apriete demasiado**
- Repita estos pasos para instalar el segundo pie.

INSTALACIÓN DE LAS RUEDAS

Vea la figura 10.

- Coloque el generador sobre una superficie plana.
- Levante el lado del silenciador del generador lo suficientemente alto para tener acceso a la parte inferior del marco.

FIG. 8

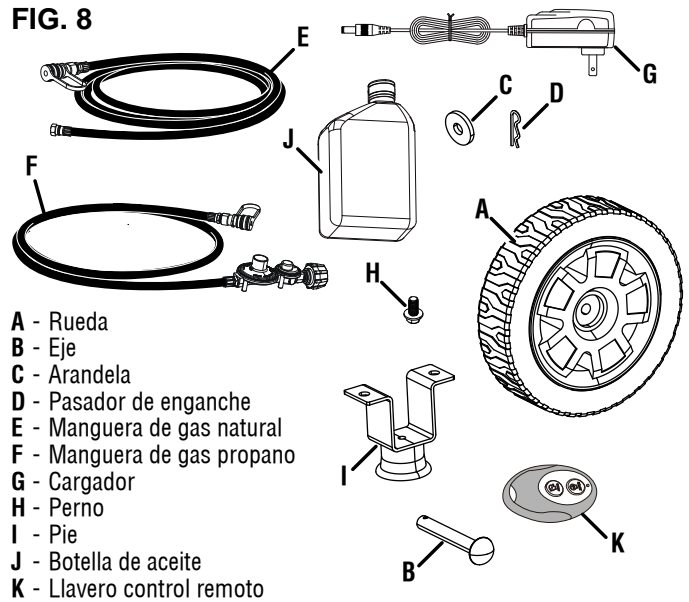


FIG. 9

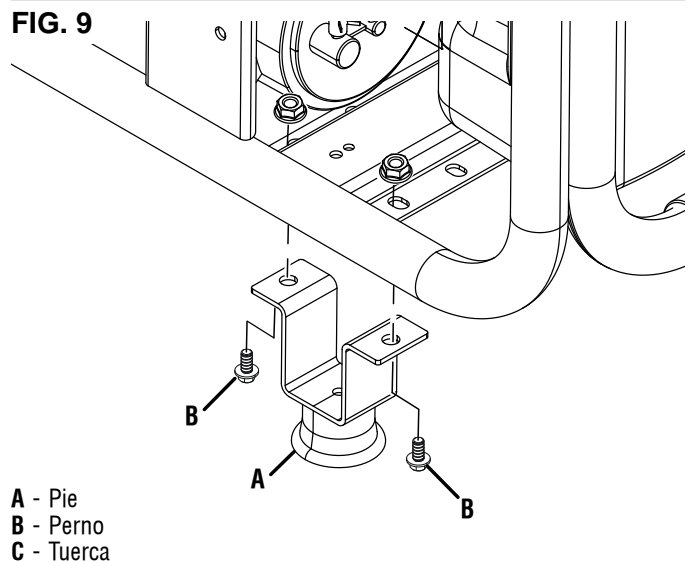
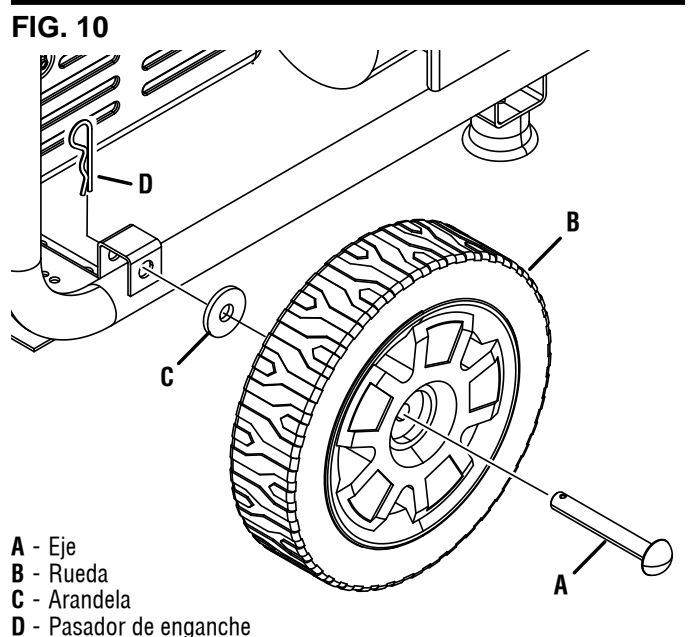


FIG. 10



MONTAJE

- Coloque puntales debajo del generador para que sirvan como soporte temporal.
- Localice los ejes, las ruedas, las arandelas y los pasadores de enganche.
- Inserte un perno a través del medio de una rueda, una arandela y el marco como se muestra.
- Empuje un pasador de enganche en el eje hasta que el centro del pasador descansa contra la parte superior del eje.
- Repita estos pasos para instalar la segunda rueda.

CONECTAR LA BATERÍA

Vea la figura 11.

Un cable de batería de conexión rápida está preinstalado en la batería. Quite la brida para cables que sujeta los enchufes y presione con firmeza para conectarlos.

NOTA: El generador está equipado con una función de carga de batería. Una vez que el motor esté en marcha, una pequeña carga recargará lentamente la batería.

SUBIR/BAJAR EL MANGO

Vea la figura 12.

- Párese frente a la unidad, sujete el mango con firmeza y levántela hasta la posición elevada.
- Con el mango en la posición levantada, el generador se puede mover con seguridad de una posición a otra. Para obtener información sobre el transporte de la unidad en un vehículo, consulte la sección **Transporte** en *Funcionamiento*.
- Para bajar el mango, guíe suavemente el mango hacia abajo.

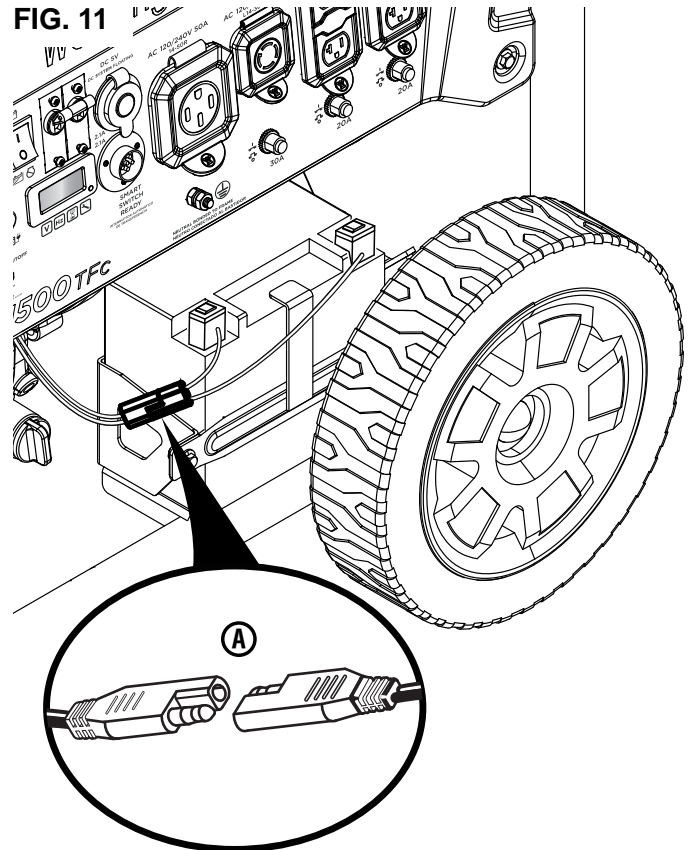
⚠ PRECAUCIÓN Peligro de punto de pellizco. No coloque la mano o los dedos entre el mango y el marco del generador.

⚠ ADVERTENCIA No altere ni modifique este producto a menos que así lo indique este manual o el fabricante. No utilice aditamentos o accesorios que no estén recomendados para su uso con este producto. Hacer modificaciones no autorizadas y usar accesorios incompatibles puede dañar la unidad y anular la garantía.

INFORMACIÓN GENERAL

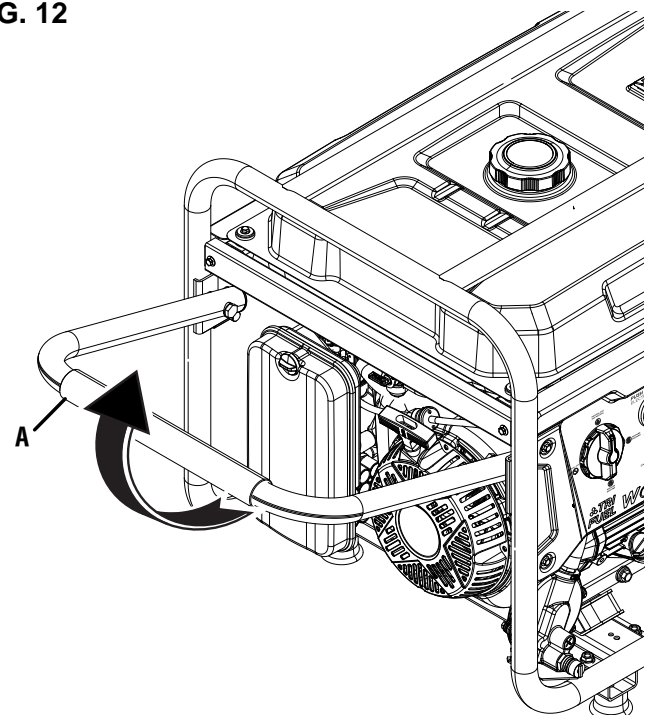
Este generador portátil puede proporcionar energía a una amplia gama de artículos, incluidos electrodomésticos, herramientas en el lugar de trabajo, equipo de campamento, elementos esenciales para el seguimiento de vehículos y mucho más.

AVISO ESTE GENERADOR SE HA ENVIADO SIN ACEITE. No intente hacer girar o arrancar el motor antes de que haya sido debidamente reparado con el aceite recomendado. Si no agrega aceite de motor antes de arrancar, se producirán daños graves en el motor que no están cubiertos por la garantía.



A - Cable de batería de conexión rápida

FIG. 12



A - Mango

OPERACIÓN

PELIGRO El escape del generador contiene altos niveles de monóxido de carbono (CO), un gas invisible, inodoro y extremadamente venenoso. Si huele los gases de escape, está respirando monóxido de carbono. Pero, incluso si no huele los gases de escape, es posible que esté inhalando CO.

ÚNICAMENTE opere los generadores al aire libre, en un área bien ventilada. NUNCA opere generadores en el interior, hacerlo PUEDE MUERTE EN MINUTOS.

- **Uso correcto:** Use los generadores solo al aire libre y a favor del viento, lejos de ventanas, puertas y conductos de ventilación. Dirija siempre el escape lejos de los espacios ocupados. Instale siempre detectores de monóxido de carbono alimentados por batería o detectores de monóxido de carbono enchufables con respaldo de batería en las áreas habitables. *Vea la figura 1.*
- **Uso incorrecto:** NUNCA use un generador en su casa, garaje, sótano, ático, sotano de poca altura o cualquier otra área total o parcialmente cerrada. Áreas como estas pueden permitir que se acumulen niveles peligrosos de monóxido de carbono. Una puerta abierta o un ventilador en funcionamiento NO proporcionarán una ventilación adecuada. *Vea la figura 2.*

Si comienza a sentirse mareado, débil o enfermo mientras usa el generador, muévase al aire libre inmediatamente. Póngase en contacto con un médico. Es posible que esté experimentando una intoxicación por monóxido de carbono.

ADVERTENCIA No altere ni modifique este producto a menos que así lo indique este manual o el fabricante. No utilice aditamentos o accesorios que no estén recomendados para su uso con este producto. Hacer modificaciones no autorizadas y usar accesorios incompatibles pueden dañar la unidad y anular la garantía.

AVISO En ciertas circunstancias, el Código Eléctrico Nacional puede requerir que el generador esté conectado a tierra a una tierra aprobada. Consulte con un electricista calificado para determinar los requisitos de conexión a tierra antes de la operación.

ADVERTENCIA Evite el contacto de la piel con aceite de motor o gasolina. Use ropa y equipo de protección. Lave toda la piel expuesta con agua y jabón. El contacto prolongado de la piel con gasolina o aceite de motor puede causar irritación severa de la piel y otras reacciones adversas.

AVISO Verifique el estado físico del producto antes de cada uso. Busque pernos sueltos, fugas de líquido y otros signos de desgaste. Reemplace todos los artículos dañados.

AVISO Asegúrese de que las ruedas y los pies estén correctamente instalados antes de agregar combustible o aceite.

CONOZCA CÓMO UBICAR Y OPERAR SU GENERADOR DE FORMA SEGURA

PELIGRO Peligro de asfixia. Coloque el generador en un área bien ventilada. NO coloque el generador cerca de ventilaciones o tomas donde los gases de escape puedan ingresar a espacios ocupados o confinados. Considere cuidadosamente las corrientes de viento y aire al colocar el generador.

ADVERTENCIA Peligro de electrocución. Nunca use el generador en un lugar mojado o húmedo. Nunca exponga el generador a la lluvia, nieve, rocío de agua o agua estancada mientras está en uso. Proteja el generador de todas las condiciones climáticas peligrosas. La humedad o el hielo pueden causar un cortocircuito u otro mal funcionamiento en el circuito eléctrico. El uso de un generador o aparato eléctrico en condiciones de humedad, como lluvia o nieve, o cerca de una piscina o sistema de rociadores, o cuando sus manos están mojadas, podría resultar en electrocución.

ADVERTENCIA Peligro de incendio. Solo opere el generador en una superficie sólida y nivelada. Hacer funcionar el generador sobre una superficie con material suelto, como arena o recortes de césped, puede hacer que el generador ingiera desechos que podrían bloquear las rejillas de ventilación o el sistema de admisión de aire. Deje que el generador se enfríe durante 30 minutos antes de transportarlo o almacenarlo.

- Lea y comprenda toda la información de seguridad antes de arrancar el generador (vea las páginas 4 - 12).
- NUNCA use un generador en su casa, garaje, sótano, ático, sótano o cualquier otra área total o parcialmente cerrada. Áreas como estas pueden permitir que se acumulen niveles peligrosos de monóxido de carbono. El monóxido de carbono (CO), un gas invisible, inodoro y extremadamente venenoso, PUEDE MATARLO EN MINUTOS.
- No opere el generador en la parte trasera de un SUV, casa rodante, remolque, cama de camión (normal, plano o de otro tipo), debajo de escaleras, junto a paredes o edificios, o en cualquier otro lugar que no permita el enfriamiento adecuado de el generador y/o el silenciador. Operar el generador en áreas cerradas o parcialmente cerradas permitirá que se acumulen niveles peligrosos de CO.
- NO contenga generadores durante el funcionamiento.
- Solo use EXTERIOR y lejos de ventanas, puertas y rejillas de ventilación según lo recomendado por los Centros para el Control y la Prevención de Enfermedades del Departamento de Salud y Servicios Humanos de EE. UU. Su hogar específico y/o las condiciones del viento pueden requerir una distancia adicional.

OPERACIÓN

- No opere el generador en una pendiente. La unidad siempre debe colocarse sobre una superficie plana y estable.
- El generador debe estar sobre una superficie plana y nivelada en todo momento (incluso cuando no esté en funcionamiento).
- El generador debe tener al menos 5 pies (1,5 m) de espacio libre de todo material combustible.

CONOZCA LA NORMATIVA PARA EL USO DE GENERADORES PORTÁTILES

Considere dónde y cómo pretende usar su generador y familiarícese con las ordenanzas locales, estatales o federales relacionadas con su uso previsto. Puede ser necesario ponerse en contacto con un electricista calificado o una agencia gubernamental local para obtener una lista completa de los requisitos.

AÑADIR ACEITE/COMPROBAR EL NIVEL DE ACEITE

Vea la figura 13.

Si su producto tiene un manual del motor separado, ignore la información de esta sección y siga las instrucciones del manual del motor.

AVISO ESTE GENERADOR SE HA ENVIADO SIN ACEITE. No intente hacer girar o arrancar el motor antes de que haya sido debidamente reparado con el aceite recomendado. Si no agrega aceite de motor antes de arrancar, se producirán daños graves en el motor que no están cubiertos por la garantía.

AVISO El uso de aceite de ciclo de 2 tiempos u otros tipos de aceite no aprobados puede causar daños graves al motor que no están cubiertos por la garantía.

El tipo de aceite recomendado incluido para uso típico es aceite de motor 10W-30. Si hace funcionar el generador en temperaturas extremas, consulte el siguiente cuadro.

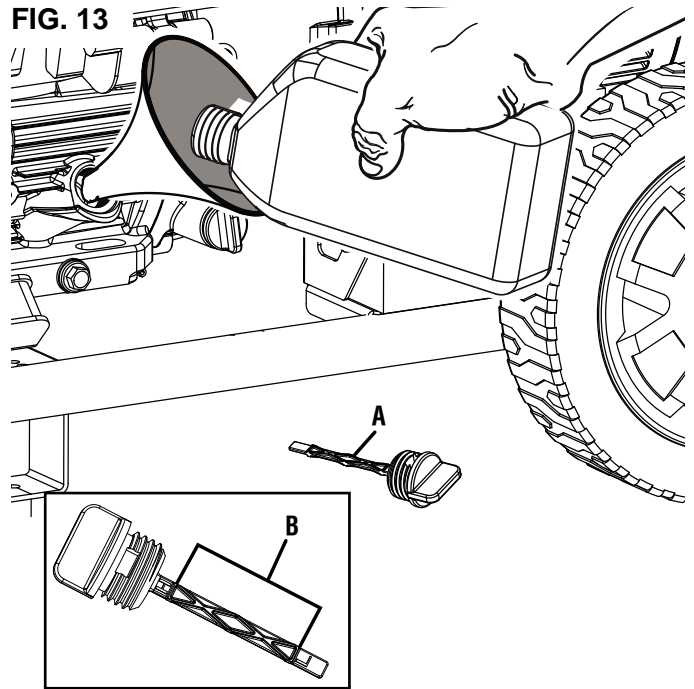
| Tipo de aceite de motor recomendado | | | | | | | | |
|-------------------------------------|-----------------|--------|------|-----|------|--------|------|------|
| | | 10W-30 | | | | | | |
| | 5W-30 | | | | | 10W-40 | | |
| | 5W-30 Sintética | | | | | | | |
| °F | -20 | 0 | 20 | 40 | 60 | 80 | 100 | 120 |
| °C | -28.9 | -17.8 | -6.7 | 4.4 | 15.6 | 26.7 | 37.8 | 48.9 |
| Temperatura ambiente | | | | | | | | |

NOTA: Compruebe el nivel de aceite del motor antes de cada uso o cada 8 horas de funcionamiento.

- Apague el generador y deje que el motor se enfríe durante al menos cinco minutos.
- Coloque el generador en una superficie nivelada en un área bien ventilada.
- Limpie el área alrededor de la varilla de nivel de aceite.

Para el llenado inicial de aceite:

- Desenrosque lentamente y retire la varilla de nivel de aceite.



A - Varilla de nivel de aceite
B - Rango de funcionamiento seguro

- Utilizando el embudo, vierta lentamente toda la botella del aceite de motor suministrado en el orificio de llenado de aceite. Deténgase con frecuencia para asegurarse de no sobrellenar.

NOTA: Su generador se probó funcionalmente en la fábrica y puede contener un mínimo de aceite residual. Se requiere aceite adicional para operar la unidad. **No llene demasiado.**

- Vuelva a colocar y apriete la varilla de nivel de aceite.

Para comprobar el nivel de aceite:

- Desenrosque lentamente y retire la varilla de nivel de aceite.
- Limpie la varilla medidora y vuelva a colocarla dentro del orificio de llenado de aceite. No enrosque la varilla medidora.
- Retire la varilla medidora y verifique que el nivel de aceite esté dentro del rango de funcionamiento seguro.
- Si el nivel de aceite es bajo, agregue gradualmente el aceite de motor recomendado y vuelva a verificar hasta que el nivel esté dentro del rango de funcionamiento seguro.
- Vuelva a colocar la varilla de nivel de aceite y apriete a mano.

REQUISITOS DE GASOLINA

AVISO No use combustible E15 o E85 en este producto. La garantía no cubre los daños al motor o al equipo causados por combustible obsoleto o el uso de combustibles no aprobados (como mezclas de etanol E15 o E85). Utilice únicamente gasolina sin plomo que contenga hasta un 10 % de etanol.

- SIEMPRE use gasolina LIMPIA, FRESCA, sin plomo (87–93 octanos) en esta unidad. NUNCA use gasolina VIEJA, VACIADA o CONTAMINADA.

OPERACIÓN

- Se acepta hasta un 10 % de etanol (gasohol) (donde esté disponible; se recomienda combustible que no sea etanol).
- NO use E85 o E15.
- NO use una mezcla de gasóleo.
- NO modifique el motor para que funcione con combustibles alternativos.

USO DEL ESTABILIZADOR DE COMBUSTIBLE

Agregar un estabilizador de combustible (no incluido) prolonga la vida útil del combustible y ayuda a evitar la formación de depósitos que pueden obstruir el sistema de combustible. Siga las instrucciones de uso del fabricante.



Siempre mezcle la cantidad correcta de estabilizador de combustible con gasolina en un recipiente de gasolina aprobado antes de alimentar el generador. Haga funcionar el generador durante cinco minutos para permitir que el estabilizador trate todo el sistema de combustible.

AGREGANDO GASOLINA

Vea las figuras 14 y 15.

PELIGRO Peligro de incendio y explosión. Nunca quite la tapa de combustible ni reabastezca el generador mientras el motor está funcionando. No fume ni cree chispas mientras reposta. Apague siempre el motor y deje que el generador se enfríe durante al menos cinco minutos antes de repostar.

PELIGRO Peligro de incendio y explosión. No sobrellene el tanque de combustible. Llene solo hasta el anillo rojo de llenado máximo en la pantalla de combustible. El sobrellenado puede causar que el combustible se derrame sobre el motor y cause un riesgo de incendio o explosión.

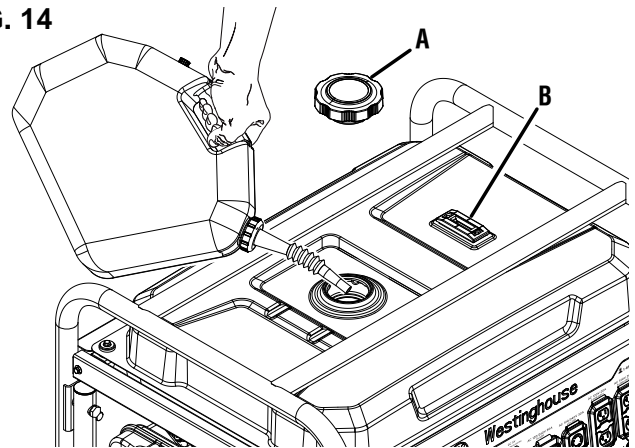
ADVERTENCIA Nunca use un contenedor de gasolina, un tanque de gasolina o cualquier otro artículo de combustible que esté roto, cortado, rasgado o dañado.

AVISO Solo llene el tanque con un contenedor de gasolina aprobado. Asegúrese de que el contenedor de gasolina esté internamente limpio y en buenas condiciones para evitar la contaminación del sistema de combustible.

- Apague el generador y deje que el motor se enfríe durante al menos cinco minutos.
- Coloque el generador en una superficie nivelada en un área bien ventilada. **NO reposte en interiores.**
- Limpie el área alrededor de la tapa de combustible y retire la tapa lentamente.
- Agregue lentamente el combustible recomendado. No llene demasiado.

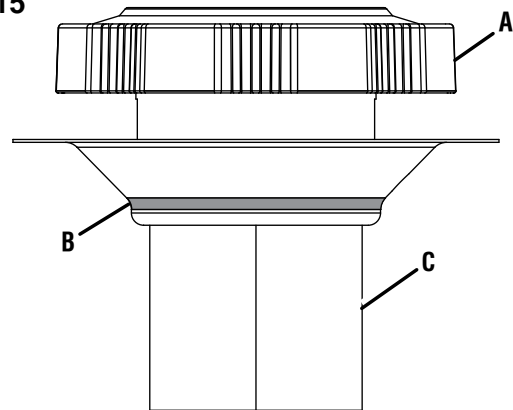
NOTA: El nivel de gasolina NO debe ser más alto que el anillo rojo de llenado máximo en la pantalla de combustible.

FIG. 14



A - Tapa de combustible
B - Medidor de combustible

FIG. 15



A - Tapa de combustible
B - Línea de llenado máximo
C - Filtro de pantalla

NOTA: El indicador de combustible en la parte superior del tanque muestra el nivel de combustible aproximado.

- Instale la tapa de combustible. Apriete firmemente.
- Limpie cualquier derrame de combustible.
- Aléjese al menos 30 pies del área de reabastecimiento de combustible antes de volver a arrancar el motor.

AVISO El combustible puede dañar la pintura y el plástico. Tenga cuidado al llenar el tanque de combustible. Los daños causados por el combustible derramado no están cubiertos por la garantía.

AVISO Limpie el filtro de malla de combustible de residuos antes y después de cada repostaje. Retire el filtro de pantalla de combustible comprimiéndolo ligeramente mientras lo retira del tanque de combustible.

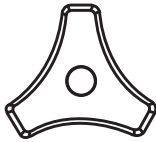
REQUISITOS DEL CILINDRO DE GAS LP

AVISO Los cilindros de propano que utilizan un sistema de extracción de líquido no se pueden utilizar en estos modelos.

OPERACIÓN

El gas LP es extremadamente inflamable y podría encenderse espontáneamente cuando se mezcla con aire. El cilindro de gas LP utilizado con este generador debe cumplir con los siguientes requisitos:

- El cilindro debe estar fabricado y etiquetado de acuerdo con las *Specifications for LP Gas Cylinders* of the U.S. Department of Transportation (D.O.T.) o el National Standard of Canada, CAN/CSA-B339, *Cylinders, Spheres, and Tubes for Transportation of Dangerous Goods; and Commission*.
- El cilindro debe tener una válvula de alivio de seguridad.
- El cilindro debe incluir un dispositivo de protección contra sobrellenado (OPD) certificado por UL. Los cilindros con esta característica de seguridad tendrán un volante triangular único. Utilice únicamente cilindros de gas LP con este tipo de volante.
- El cilindro debe ser certificado periódicamente para su uso por la autoridad con jurisdicción local (AHJ). Antes de usar, verifique que la fecha de certificación del cilindro no haya vencido.
- Todos los cilindros nuevos se deben purgar de aire y humedad antes de llenarlos. También se deben purgar los cilindros usados que no hayan sido taponados o mantenidos cerrados. El proceso de purga debe ser realizado por un proveedor de propano (los cilindros de un proveedor de intercambio deben haberse purgado y llenado correctamente).



CONEXIÓN DE UN CILINDRO DE GAS LP AL GENERADOR

Vea las figuras 16 a 18.

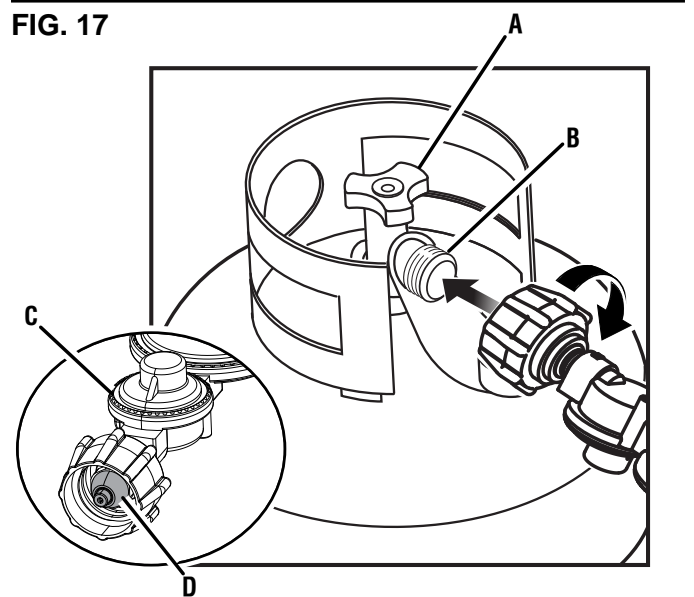
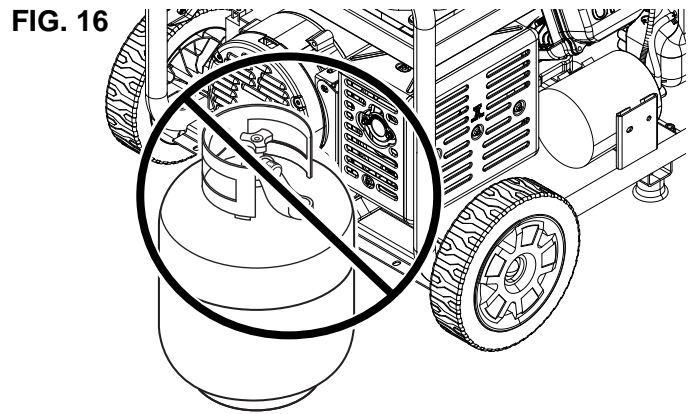
⚠ PELIGRO Peligro de incendio y explosión. Nunca conecte ni desconecte la manguera de GLP/propano con el motor en marcha. No fume ni cree chispas mientras manipula GLP/propano. Siempre apague el motor y deje que el generador se enfríe durante al menos cinco minutos antes de conectar el cilindro de propano.

⚠ ADVERTENCIA Nunca use un contenedor de gas, una manguera de GLP/propano, un cilindro de propano o cualquier otro elemento de combustible que parezca estar dañado.

⚠ ADVERTENCIA Para reducir el riesgo de lesiones, realice una prueba de fugas cada vez que desconecte y vuelva a conectar el cilindro de gas LP.

- Apague el generador y deje que el motor se enfríe durante al menos cinco minutos.
- Coloque el generador sobre una superficie nivelada en un área bien ventilada. **NO conecte ni desconecte el cilindro de gas LP en interiores.**
- Coloque el cilindro de gas LP cerca del generador, pero **no lo coloque en el camino del escape del silenciador.**

NOTA: El cilindro de propano puede tener cualquier capacidad, pero debe cumplir con los **requisitos del cilindro de gas LP** enumerados anteriormente en esta sección.



- A - Volante
- B - Válvula del cilindro
- C - Manguera de GLP/propano
- D - Niple

- Verifique que el volante esté en su posición completamente apagada.
- Sostenga firmemente la manguera de GLP/propano y empuje el niple en la válvula del cilindro.
- Use su mano para enroscar la manguera de GLP/propano a la válvula del cilindro. **No cruce el hilo. No utilice herramientas ni selladores.**
NOTA: Sentirá algo de resistencia cuando la manguera se selle en la válvula del cilindro. Para completar la conexión, gire el conector entre media vuelta y tres cuartos de vuelta más. Si no puede completar la conexión, desconecte la manguera y vuelva a intentarlo. Si aún no puede completar la conexión, ¡NO use esta manguera!
- Conecte la manguera de GLP/propano al generador usando el collarín de conexión rápida.
 - Tire hacia atrás del collar de conexión rápida.
 - Empuje la manguera en la entrada de gas natural/propano.
 - Empuje el collar hacia adelante para que la manguera quede bien asegurada. Tire suavemente de la manguera para asegurarse de que esté segura.

OPERACIÓN

CONEXIÓN DEL GENERADOR A LA LÍNEA DE SUMINISTRO DE GAS NATURAL

Veá las figuras 18 y 19.

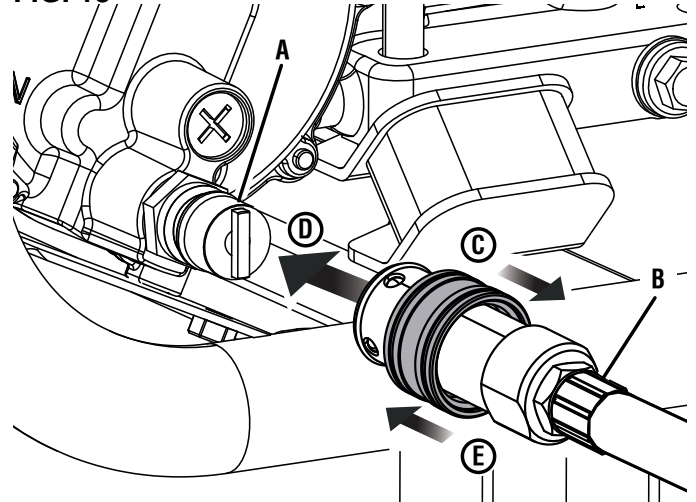
⚠ PELIGRO Peligro de incendio y explosión. Nunca conecte o desconecte la manguera de gas natural mientras el motor está funcionando. No fume ni cree chispas mientras manipula gas natural. Siempre apague el motor y deje que el generador se enfríe durante al menos cinco minutos antes de conectarlo al gas natural.

⚠ ADVERTENCIA Nunca use una línea de suministro de gas natural, una manguera de gas natural o cualquier otro elemento de combustible que parezca estar dañado.

⚠ ADVERTENCIA Para reducir el riesgo de lesiones, realice una prueba de fugas cada vez que desconecte y vuelva a conectar la manguera de gas natural.

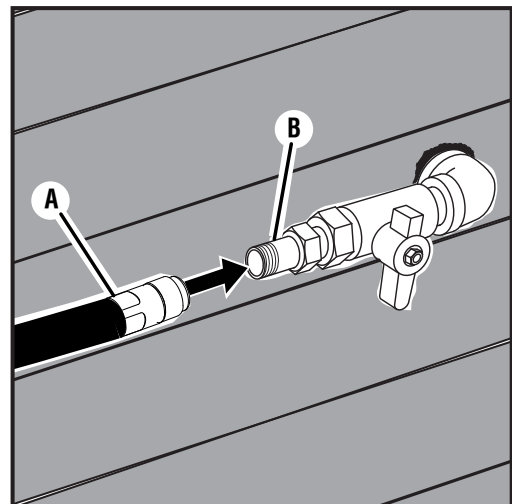
- Apague el generador y deje que el motor se enfríe durante al menos cinco minutos.
- Verifique que el gas esté cerrado en la línea de suministro de gas natural.
- Desenvuelva y enderece completamente la manguera de gas natural para evitar torceduras.
- Use su mano para enroscar la manguera a la línea de suministro de gas natural. **No cruce el hilo. No utilice herramientas ni selladores.**
- Conecte la manguera de gas natural al generador usando el collar de conexión rápida.
 - Tire hacia atrás del collar de conexión rápida.
 - Empuje la manguera en la entrada de gas natural/propano.
 - Empuje el collar hacia adelante para que la manguera quede bien asegurada. Tire suavemente de la manguera para asegurarse de que esté segura.

FIG. 18



- A - Entrada de gas natural/propano
- B - Manguera de gas natural o manguera de GLP/propano
- C - Tire del cuello hacia atrás
- D - Empuje la manguera hacia la entrada
- E - Empuje el collar hacia adelante

FIG. 19



- A - Manguera de gas natural
- B - Línea de suministro de gas natural

OPERACIÓN

SELECCIÓN DE LA FUENTE DE COMBUSTIBLE

Vea las figuras 20 y 21.


PELIGRO Peligro de incendio y explosión. NO agregue gasolina al tanque de combustible ni conecte la manguera de GLP/propano o la manguera de gas natural al generador mientras el generador está en funcionamiento.

AVISO No sobrecargue el generador. Las capacidades de carga difieren según la fuente de combustible. Antes de cambiar las fuentes de combustible, asegúrese de que el generador pueda suministrar suficientes vatios de funcionamiento (continuos) y pico (de arranque) para los artículos que tiene conectados.


AVISO No sobrecargue el generador. Las capacidades de carga difieren según la fuente de combustible. Antes de cambiar las fuentes de combustible, asegúrese de que el generador pueda suministrar suficientes vatios de funcionamiento (continuos) y pico (de arranque) para los artículos que tiene conectados.

La fuente de combustible se puede cambiar mientras el motor está apagado o mientras está funcionando si se conecta un tanque de propano o una línea de suministro de gas natural al generador ANTES de la operación. Si cambia de gasolina a otra fuente de combustible mientras el motor está funcionando, puede funcionar irregularmente durante unos segundos mientras purga la gasolina del carburador.


Para cambiar a gasolina:

- Gire la válvula de combustible a la posición abierta para iniciar el flujo de gasolina.
- Gire el selector de combustible a **Gasolina** .
- Cierre el flujo de gas natural o propano.

Para cambiar a propano:

- Abra la válvula del cilindro en el cilindro de gas LP para iniciar el flujo de propano.
- Gire el selector de combustible a **Propano** .
- Cierre el flujo de gas natural y gasolina.

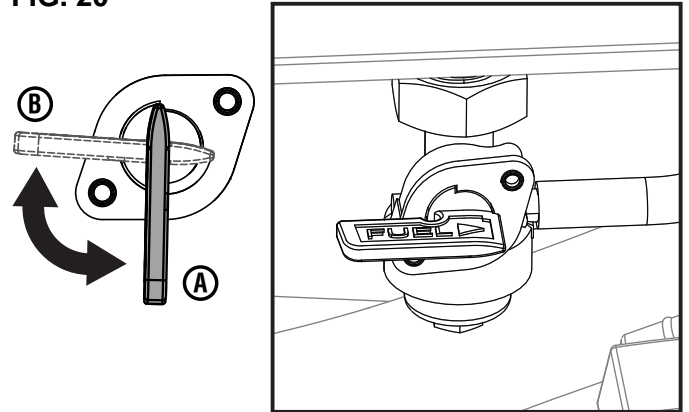
Para cambiar a gas natural:

- Abra la válvula en la línea de suministro de gas natural para iniciar el flujo de gas natural.
- Gire el selector de combustible a **Gas Natural** .
- Cierre el flujo de propano y gasolina.

FUNCIONAMIENTO A GRAN ALTITUD

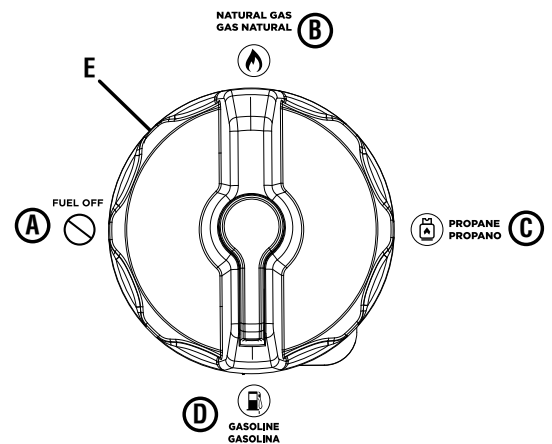
La potencia del motor se reduce a mayor altura sobre el nivel del mar. La producción se reducirá aproximadamente





FIG. 20



- A - Válvula de combustible (abierta)
- B - Válvula de combustible (cerrada)

FIG. 21



- A - Combustible apagado 
- B - Gas Natural 
- C - Propano 
- D - Gasolina 
- E - Selector de combustible

un 3,5% por cada 1 000 pies de aumento de altitud desde el nivel del mar.

Se requiere un ajuste de gran altitud para operar a altitudes superiores a 5 000 pies (1524 m). La operación sin este ajuste provocará una disminución del rendimiento, un mayor consumo de combustible y un aumento de las emisiones.

AVISO NO opere el generador a altitudes inferiores a 762 m (2000 pies) con el kit para altitudes elevadas instalado. Se pueden producir daños en el motor.

Kit de carburador
de gran altitud

Numero de
pieza# 518563

OPERACIÓN

CENTRO DE DATOS

Vea la figura 22.

Presione el botón de modo para recorrer los modos de visualización de datos.

Voltaje: Muestra la salida de voltaje actual.

Frecuencia (Hz): Muestra la frecuencia de salida de potencia en hercios.

Horas de por vida: Muestra las horas de funcionamiento de por vida.

Tiempo de ejecución/mantenimiento: Muestra el tiempo de ejecución actual. Se restablece a cero cuando se apaga. Recordatorio de mantenimiento que se muestra cuando es necesario.

Códigos de mantenimiento:

P25–Cambiar aceite de motor

P50–Limpiar filtro de aire, Cambiar aceite de motor

P100–Cambie el aceite del motor, limpie el filtro de aire, reemplace el filtro de combustible

EMPAREJAR EL LLAVERO CONTROL REMOTO

Vea la figuras 23 y 24.

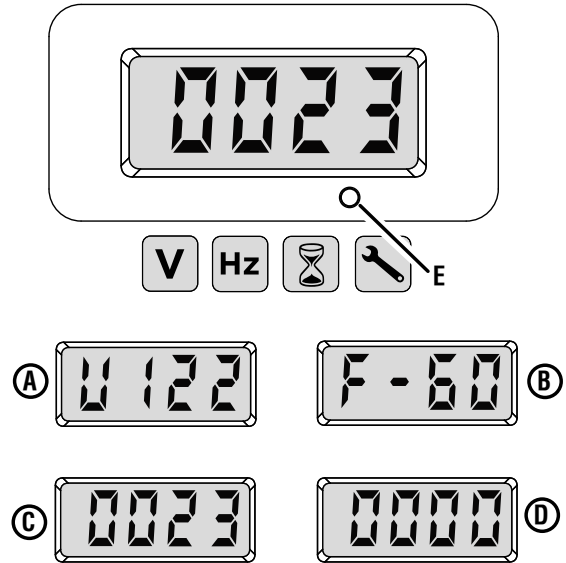
- Lleve el llavero a distancia dentro del alcance del generador.
- Asegúrese de que la batería esté conectada y que el selector de combustible esté en la posición **COMBUSTIBLE APAGADO**.
- Empuje el interruptor de la batería a la posición ENCENDIDO.
NOTA: Cuando la energía de la batería esté disponible, la luz indicadora de la batería se iluminará y el LED alrededor del botón de encendido/apagado del motor se iluminará en verde fijo.
- Mantenga presionado el botón de encendido/apagado del motor durante 10 segundos hasta que el LED alrededor del botón parpadee en verde, luego suéltelo.
- Mantenga presionado el botón de inicio en el llavero durante un segundo y luego suéltelo.
 - Si el llavero control remoto se emparejó con éxito, el LED alrededor del botón de encendido/apagado del motor se iluminará en verde fijo.
 - Si el emparejamiento no tuvo éxito, el LED alrededor del botón de encendido/apagado del motor seguirá parpadeando en verde. Espere varios segundos y luego haga un segundo intento. Si el segundo intento falla, gire el interruptor de la batería a la posición de APAGADO, espere varios segundos y repita el proceso. Si los intentos subsiguientes fallan, coloque el interruptor de la batería en la posición APAGADO y comuníquese con el servicio al cliente.
- Después de que el llavero control remoto se haya emparejado con éxito con el generador, gire el interruptor de la batería a la posición APAGADO.

PERÍODO DE RODAJE

Para un rodaje adecuado, no exceda el 50% de los watts nominales de funcionamiento durante las primeras cinco horas de funcionamiento.

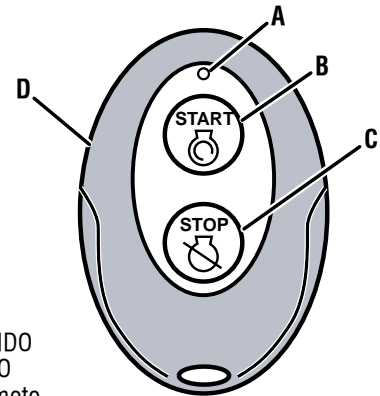
Utilice el aceite suministrado hasta que se recomiende por primera vez el cambio de aceite. No utilice aceite totalmente sintético durante el período de rodaje. El aceite

FIG. 22



- A - Voltaje
- B - Frecuencia
- C - Horas de por vida
- D - Tiempo de ejecución/mantenimiento
- E - Botón de modo

FIG. 23



- A - LED rojo
- B - Botón de ENCENDIDO
- C - Botón de APAGADO
- D - Llavero control remoto

totalmente sintético puede impedir que se rompan y asienten correctamente los anillos del pistón.

Varíe la carga ocasionalmente para permitir que los devanados del estator se calienten y enfríen y ayuden a asentar los anillos del pistón.

ANTES DE PONER EN MARCHA EL GENERADOR

Verificar que:

- El generador se coloca en un lugar seguro y apropiado.
- El generador está sobre una superficie seca, plana y nivelada.
- Los niveles de aceite y combustible están dentro del rango de funcionamiento seguro.
- Todas las cargas están desconectadas de los receptáculos del panel de control.

⚠ PELIGRO Peligro de incendio y explosión. NO mueva ni incline el generador durante el funcionamiento.

OPERACIÓN

ARRANCANDO EL GENERADOR

Vea la figuras 24 á 27.

- Coloque el generador en un lugar seguro y apropiado.
- Desenchufe todas las cargas.
- Verifique los niveles de aceite y combustible. Si es necesario, agregue aceite, rellene el cilindro de gas LP, agregue gasolina o comuníquese con su compañía de servicios públicos de gas natural.
- Usando el selector de combustible, seleccione **Gasolina** 🛢️, **Propano** 🛡️, or **Natural Gas** 🔥
- Inicie el flujo de su combustible deseado y detenga el flujo de otras fuentes de combustible.
 - Para gasolina, abra la válvula de combustible y cierre el flujo de gas natural o propano.
 - Para propano, abra la válvula del cilindro en el cilindro de gas LP y cierre el flujo de gas natural y gasolina.
 - Para gas natural, abra la válvula en la línea de suministro de gas natural y cierre el flujo de gas propano y gasolina.
- Empuje el interruptor de la batería a la posición ENCENDIDO.
NOTA: Cuando la energía de la batería esté disponible, la luz indicadora de la batería se iluminará y el LED alrededor del botón de encendido/apagado del motor se iluminará en verde fijo.

Para arrancar el generador usando el mango de retroceso:

- Mueva el estrangulador a la posición de encendido/arranque en frío.
NOTA: Si el motor está caliente, mueva el estrangulador hacia la posición de encendido/arranque en caliente (aproximadamente 2/3 del camino).
- Sujete con firmeza y tire lentamente de la manija de retroceso hasta que sienta una mayor resistencia. En este punto, tire rápidamente de la manija de retroceso del generador hasta que arranque el motor.
NOTA: Vuelva a colocar suavemente el mango de retroceso en su lugar después de encender la unidad. No permita que se golpee contra la unidad. Durante el arranque inicial, es posible que se requieran tirones adicionales para cebar la bomba de combustible.
- Después de que arranque el motor, mueva el estrangulador a la posición de apagado/arranque en caliente.

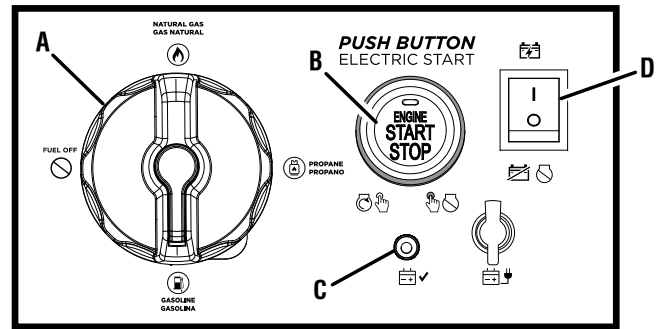
Para arrancar el generador usando la función de arranque remoto:

- Mantenga presionado el botón de encendido en el llavero durante dos segundos.
NOTA: El LED rojo en el llavero debe parpadear cada vez que se presiona el botón de encendido. Si el LED rojo no parpadea y el generador no arranca, es posible que sea necesario reemplazar la batería del control remoto. Si el LED rojo parpadea pero el generador no arranca, es posible que la batería del generador deba cargarse. Inicie la unidad usando el mango de retroceso. La batería del generador se cargará a medida que la unidad funcione.

Para arrancar el generador usando el botón de encendido/apagado del motor:

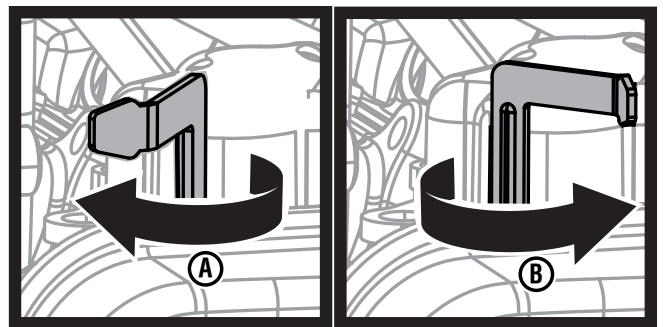
- Mantenga presionado el botón encendido/apagado del motor durante dos segundos.

FIG. 24



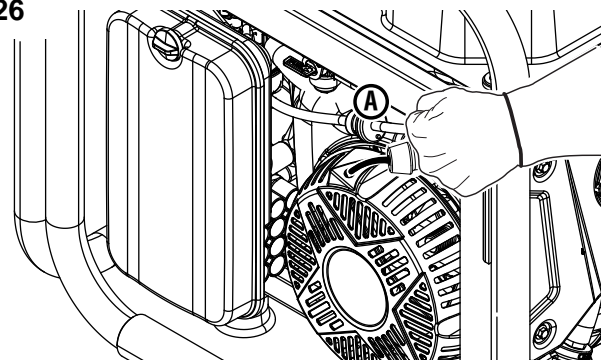
- A - Selector de combustible
- B - Botón de encendido/apagado del motor
- C - Indicador de batería
- D - Interruptor de batería

FIG. 25



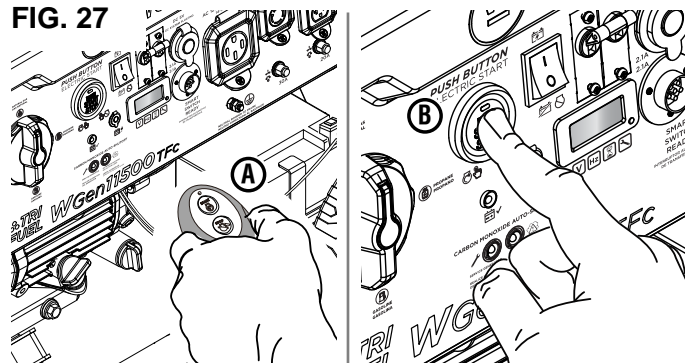
- A - Estrangulador (encendido/arranque en frío)
- B - Estrangulador (apagado/arranque en caliente)

FIG. 26



- A - Mango de retroceso

FIG. 27



- A - Llavero control remoto
- B - Botón de encendido/apagado del motor

OPERACIÓN

NOTA: Si el botón encendido/apagado del motor no enciende el generador, es posible que la batería del generador deba cargarse. Inicie la unidad usando el mango de retroceso. La batería del generador se cargará a medida que la unidad funcione.

Para agregar cargas después de arrancar el generador:

- Cuando la salida del generador se estabiliza, puede conectar cargas de manera segura a los receptáculos del panel de control.

NOTA: Verifique que todos los dispositivos estén apagados antes de conectarlos al generador.

NOTA: Asegúrese de que los requisitos de vataje para todos los dispositivos conectados estén en línea con las capacidades de su generador.

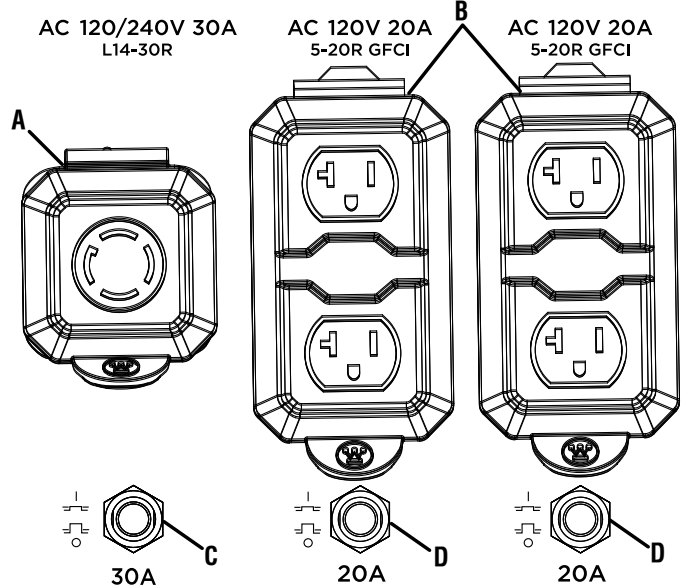
- Conecte e inicie el dispositivo o aparato más grande.
- Permita que la salida del generador se estabilice. Una vez estable, el motor debería funcionar sin problemas y el dispositivo debería funcionar correctamente.
- Conecte e inicie el siguiente dispositivo o aparato más grande.
- Permita que la salida del generador se estabilice.
- Repita este proceso para cada carga adicional.

APAGADO EL GENERADOR

Vea las figuras 24 y 27.

- Retire cualquier carga conectada de los receptáculos del panel de control.
- Deje que el generador funcione “sin carga” durante varios minutos para reducir y estabilizar las temperaturas del motor y del alternador.
- Mantenga presionado el botón de encendido/apagado del motor o el botón de parada en el control remoto durante un segundo para detener el generador.
- Empuje el interruptor de la batería a la posición APAGADO.
- Gire el selector de combustible a la posición **COMBUSTIBLE APAGADO** ☹.
- Detenga el flujo de combustible.
 - Para gasolina, cierre la válvula de combustible.
 - Para propano, cierre la válvula del cilindro en el cilindro de gas LP.
 - Para gas natural, cierre la válvula en la línea de suministro de gas natural.

FIG. 28



- A - Receptáculo de CA de 120/240 voltios (30 amperios)
- B - Receptáculos GFCI de 120 voltios CA y 20
- C - Disyuntor de 30 amperios
- D - Disyuntor de 20 amperios

- Desconecte la manguera de propano del cilindro de gas LP y el generador o desconecte la manguera de gas natural de la línea de suministro de gas natural y el generador.

Para detener la unidad rápidamente en caso de emergencia:

- Mantenga presionado el botón de encendido/apagado del motor o el botón de parada en el control remoto durante un segundo para detener el generador.

DISYUNTORES

Vea las figuras 28 y 29.

El disyuntor de 20 amperios protege los dispositivos y equipos conectados a los receptáculos de 120 V y 20 amperios contra sobrecargas eléctricas. El disyuntor de 30 amperios protege los dispositivos y equipos conectados a los receptáculos de 120 V y 30 amperios. El disyuntor principal se apagará automáticamente si la carga combinada de los receptáculos excede la capacidad del generador. Si se activa un disyuntor, apague el dispositivo conectado, retírelo del puerto o tomacorriente y reinicie el disyuntor.

OPERACIÓN

PUERTOS USB

Vea la figura 29.

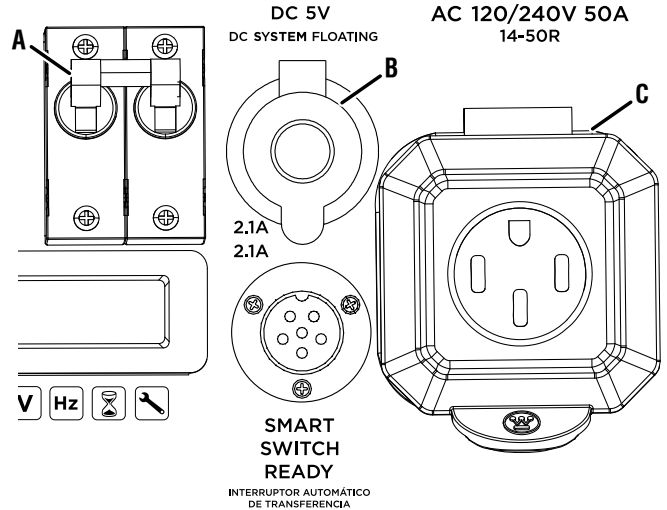
Utilice los puertos USB y los cables USB (no incluidos) para cargar dispositivos compatibles con USB, como teléfonos, tabletas y altavoces (hasta 2,1 amperios).

NOTA: Los puertos USB están diseñados solo para cargar y no tienen capacidades de comunicación o transferencia de datos.

TRANSPORTE

- Apague el generador.
- Deje que el generador se enfríe un mínimo de 30 minutos antes de transportarlo.
- Vuelva a colocar todas las cubiertas protectoras en el panel de control del generador.
- Utilice siempre la estructura del generador, no la manija, para levantar la unidad o sujetar cualquier restricción de carga, como cuerdas o correas de amarre. NO intente levantar o asegurar el generador agarrándolo de cualquiera de sus otros componentes.
- Mantenga la unidad nivelada durante el transporte para minimizar la posibilidad de fugas de combustible o, si es posible, drene el combustible o haga funcionar el motor hasta que el tanque de combustible esté vacío antes del transporte.

FIG. 29



- A - Disyuntor principal
- B - Puertos USB
- C - Receptáculo de CA de 120/240 voltios (50 amperios)

PRECAUCIÓN Peligro de incendio. NO vuelque el generador ni lo coloque de costado. El combustible o el aceite pueden tener fugas y dañar el generador.

CUIDADO Y MANTENIMIENTO

ADVERTENCIA Arranque accidental. Desconecte el capuchón de la bujía (Vea la figura 33) de la bujía cuando realice el mantenimiento del generador.

ADVERTENCIA Reemplace los elementos dañados o desgastados con piezas de repuesto recomendadas o equivalentes. El uso de una pieza incorrecta o incompatible podría crear un peligro que podría provocar lesiones personales graves.

ADVERTENCIA Deje que los componentes calientes se enfríen durante 30 minutos antes de realizar cualquier procedimiento de mantenimiento.

ADVERTENCIA Evite el contacto de la piel con aceite de motor o gasolina. Use ropa y equipo de protección. Lave toda la piel expuesta con agua y jabón. El contacto prolongado de la piel con gasolina o aceite de motor puede causar irritación severa de la piel y otras reacciones adversas.

AVISO Verifique el estado físico del producto antes de cada uso. Busque pernos sueltos, fugas de líquido y otros signos de desgaste. Reemplace todos los artículos dañados. Para piezas de repuesto o asistencia, comuníquese con nuestro equipo de servicio al cliente.

Para prolongar la vida útil de este producto, siga las instrucciones de cuidado y mantenimiento de esta sección. Comuníquese con el servicio de atención al cliente antes de realizar el mantenimiento de piezas retiradas o cubiertas por la garantía.

LIMPIEZA DEL GENERADOR

No almacene ni opere su generador en ambientes sucios, polvorientos o corrosivos. No permita que materiales extraños y desechos obstruyan las rejillas de ventilación de la unidad.

NUNCA limpie el generador con una manguera de jardín. El agua puede dañar el sistema de combustible y los componentes eléctricos del generador. Si es necesario limpiar la unidad, use un cepillo suave y un paño húmedo para limpiar el exterior y use aire a baja presión (no más de 25 psi) para limpiar las rejillas de ventilación.

Nunca use gasolina como agente de limpieza.

CUIDADO Y MANTENIMIENTO

LIMPIEZA/SUSTITUCIÓN DEL FILTRO DE AIRE

Vea la figura 30.

Mantenga el filtro de aire limpio. Un filtro de aire sucio puede provocar un rendimiento deficiente y disminuir la vida útil del producto. **NUNCA opere el generador sin un filtro de aire en su lugar.**

- Apague el generador y deje que el motor se enfríe durante 30 minutos.
- Gire la perilla en sentido contrario a las agujas del reloj y retire la tapa.
- Retire el filtro de aire de la carcasa del filtro de aire y colóquelo en un recipiente de limpieza adecuado. **Reemplace el filtro de aire si está dañado.**

NOTA: El filtro de aire puede estar cubierto de aceite. Utilice un recipiente apropiado.

- Lave el filtro de aire sumergiéndolo en una solución de jabón detergente doméstico y agua tibia. Apriete lentamente el filtro para limpiarlo a fondo.

AVISO

NO tuerza ni rasgue el filtro de aire durante la limpieza o el secado. Solo aplique una acción de compresión lenta pero firme.

- Enjuague el filtro de aire sumergiéndolo en agua dulce y aplicando una acción de compresión lenta. Permita que el filtro se seque completamente.

AVISO

No contamine. Siga las pautas de la EPA u otras agencias gubernamentales para la eliminación adecuada de materiales peligrosos. Consulte a las autoridades locales o al centro de recuperación.

- Sumerja el filtro de aire en aceite de motor limpio y luego exprima todo el exceso de aceite. El motor echará humo al arrancar si queda demasiado aceite en el filtro.
- Instale el filtro de aire en la carcasa del filtro de aire y vuelva a instalar la tapa del filtro de aire.

CAMBIO DEL ACEITE DEL MOTOR

Vea las figuras 31 y 32.

Para un rendimiento óptimo, cambie el aceite del motor y filtro de aceite de acuerdo con las cifras especificadas en el **Programa de mantenimiento** o el manual del motor (si corresponde). Cuando utilice el generador en condiciones extremas, sucias y polvorosas o en climas extremadamente cálidos, cambie el aceite con mayor frecuencia.

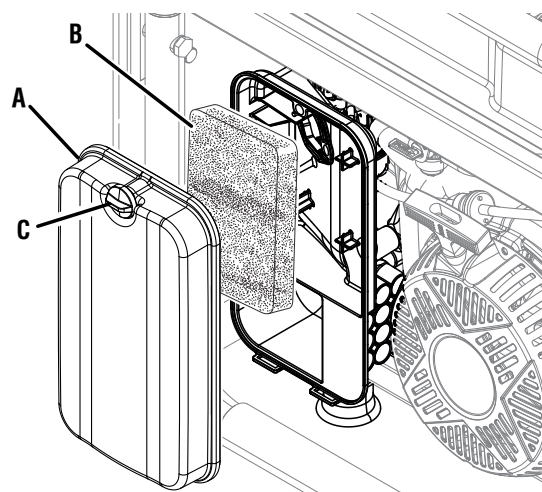
NOTA: Cambie el aceite mientras el motor está tibio pero no caliente. El aceite de motor caliente se drena más rápida y completamente que el lubricante frío. El contacto con el lubricante caliente causará quemaduras graves.

- Apague el generador y deje que el motor se enfríe durante 30 minutos.
- Coloque el generador en una superficie nivelada en un área bien ventilada.

Para cambiar el aceite del motor:

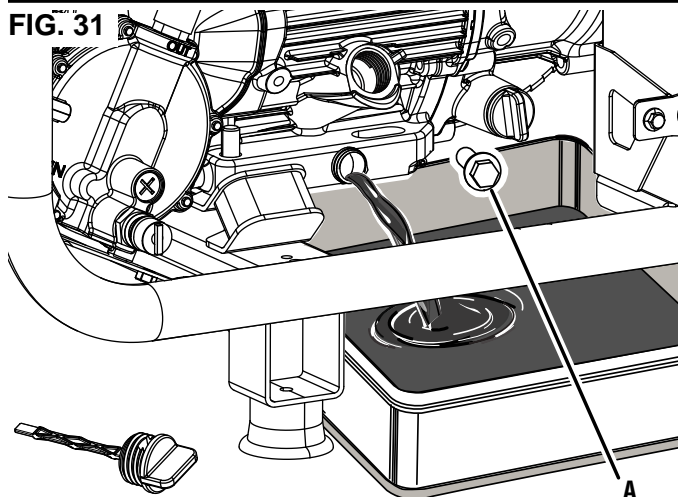
- Limpie el área alrededor de la varilla de nivel de aceite.
- Desenrosque lentamente y retire la varilla de nivel de aceite.

FIG. 30



- A - Cubierta del filtro de aire
- B - Filtro de aire
- C - Perilla

FIG. 31



- A - Perno de drenaje

- Coloque una bandeja de aceite (o un recipiente adecuado) debajo del perno de drenaje de aceite.
- Retire el perno de drenaje de aceite y deje que el aceite drene.
- Después de que el aceite se haya agotado por completo, reemplace el perno de drenaje de aceite.
- Vuelva a llenar el aceite como se describe en la sección de *Operaciones*.
- Vuelva a colocar la varilla de nivel de aceite y apriete a mano.
- Limpie cualquier derrame de aceite.

Para limpiar el filtro de aceite:

- Limpie el área alrededor del filtro de aceite.
- Desenrosque lentamente y retire el filtro de aceite.
- Lave el filtro de aceite con agua jabonosa tibia, luego enjuague y seque.
- Reemplace el filtro de aceite y el trineo a mano.
- Limpie cualquier aceite derramado.

CUIDADO Y MANTENIMIENTO

LIMPIEZA/SUSTITUCIÓN DE LA BUJÍA

Vea la figura 33.

AVISO SIEMPRE use la bujía Westinghouse OEM o compatible sin resistencia. El uso de bujías de encendido tipo resistencia puede resultar en un ralenti brusco, fallos de encendido o puede impedir que el motor arranque.

Asegúrese de que la chispa esté limpia y correctamente separada. Para limpiar o reemplazar su bujía:

- Apague el generador y deje que el motor se enfríe durante 30 minutos.
- Coloque el generador en una superficie nivelada en un área bien ventilada.
- Retire el capuchón de la bujía tirando con firmeza del capuchón directamente hacia afuera del motor.
- Limpie el área alrededor de la bujía.
- Retire la bujía con la llave de tubo para bujías incluida.

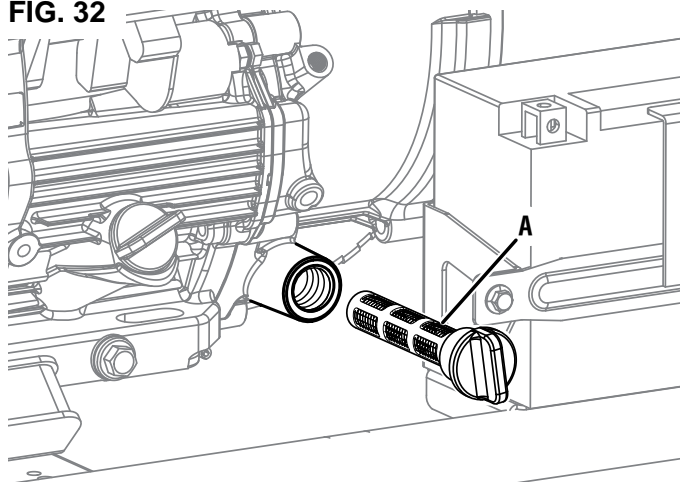
AVISO Nunca aplique ninguna carga lateral ni mueva la bujía lateralmente al retirar la bujía.

- Inspeccione la bujía. Reemplácelos si los electrodos están picados, quemados o si el aislante está agrietado. Utilice únicamente un enchufe de repuesto recomendado.
- Mida la distancia entre electrodos de la bujía con una galga de espesores de alambre. Si es necesario, corrija el espacio doblando con cuidado el electrodo lateral.

Separación de la bujía: 0,024–0,032 pulg. (0,60–0,80 mm)

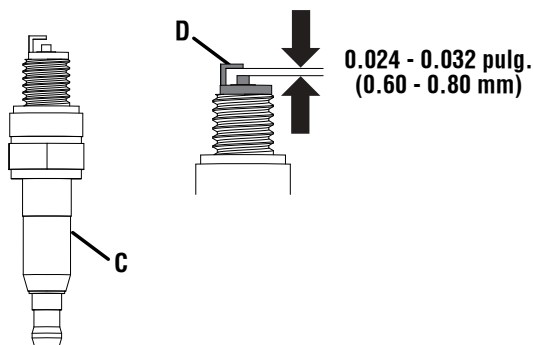
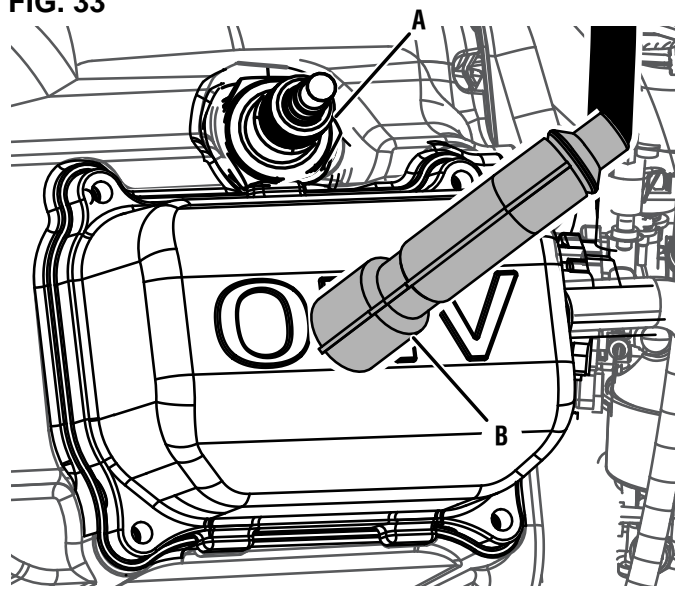
- Instale cuidadosamente la bujía con los dedos y luego apriétela de 3/8 a 1/2 vuelta adicional con la llave para bujías.
- Instale el capuchón de la bujía.

FIG. 32



A - Filtro de aceite

FIG. 33



A - Bujía
B - Capuchón de la bujía
C - Aislante
D - Electrodo

CUIDADO Y MANTENIMIENTO

LIMPIEZA DEL PARACHISPAS

Vea la figura 34.

Verifique y limpie el parachispas de acuerdo con las cifras especificadas en el **Programa de mantenimiento** o el manual del motor (si corresponde). Si no se limpia el parachispas, se degradará el rendimiento del motor.

- Apague el generador y deje que el motor se enfríe durante 30 minutos.
- Coloque el generador en una superficie nivelada en un área bien ventilada.
- Retire los dos tornillos que sujetan el soporte del parachispas.
- Retire el soporte, la pantalla y el parachispas del generador.
- Limpie suavemente la pantalla y el parachispas con un cepillo de alambre.
- Vuelva a instalar el parachispas, la pantalla y el soporte. Apriete los tornillos firmemente.

DRENAJE DEL TANQUE DE COMBUSTIBLE Y EL TAZÓN DEL FLOTADOR DEL CARBURADOR

Vea la figuras 35 y 36.

⚠ ADVERTENCIA SIEMPRE guarde la gasolina en un recipiente aprobado para gasolina. Los recipientes no aprobados pueden romperse o deteriorarse permitiendo que se escape la gasolina o los vapores de gasolina, lo que puede crear un peligro grave.

Incluso el combustible debidamente estabilizado puede dejar residuos y causar corrosión si se deja por mucho tiempo. Si almacena el generador durante dos a seis meses, drene el recipiente del flotador para evitar la acumulación de goma y barniz en el carburador. Si almacena el generador durante más de seis meses, drene el tanque de combustible para evitar la separación, el deterioro y los depósitos de combustible en el sistema de combustible.

- Apague el generador y deje que el motor se enfríe durante 30 minutos.
- Coloque el generador en una superficie nivelada en un área bien ventilada.
- Desconecte la manguera de propano del cilindro de gas LP y el generador o desconecte la manguera de gas natural de la línea de suministro de gas natural y del generador.

Para drenar el recipiente del flotador:

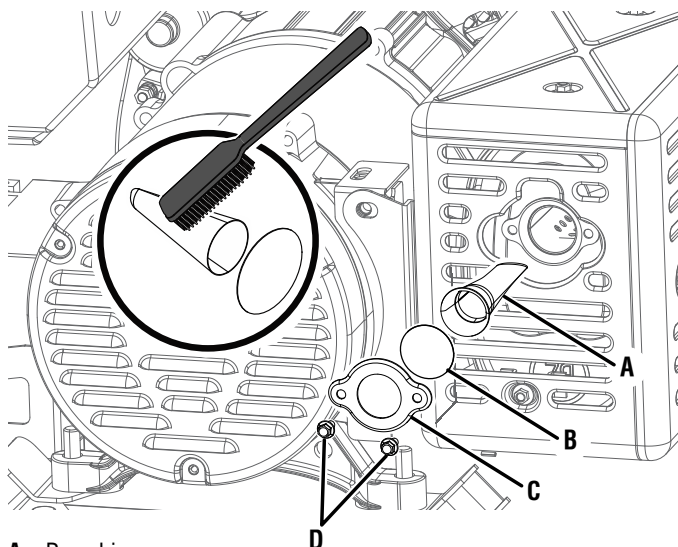
- Gire el selector de combustible a la posición **COMBUSTIBLE APAGADO** ☹ y cierre la válvula de combustible.
- Coloque una manguera de drenaje (no incluida) en la parte inferior del tazón de flotador del carburador como se muestra.
- Coloque el extremo inferior de la manguera de drenaje (no incluida) en un recipiente de gasolina aprobado para atrapar el combustible drenado.
- Afloje el tornillo de drenaje del recipiente del flotador y deje que se drene el combustible. Apriete el tornillo de drenaje del recipiente del flotador.
- Retire la manguera de drenaje (no incluida).

Para hacer funcionar el recipiente del flotador en seco:

- Gire el selector de combustible a la **Gasolina** 🛢 y comience el generador como se describió anteriormente.

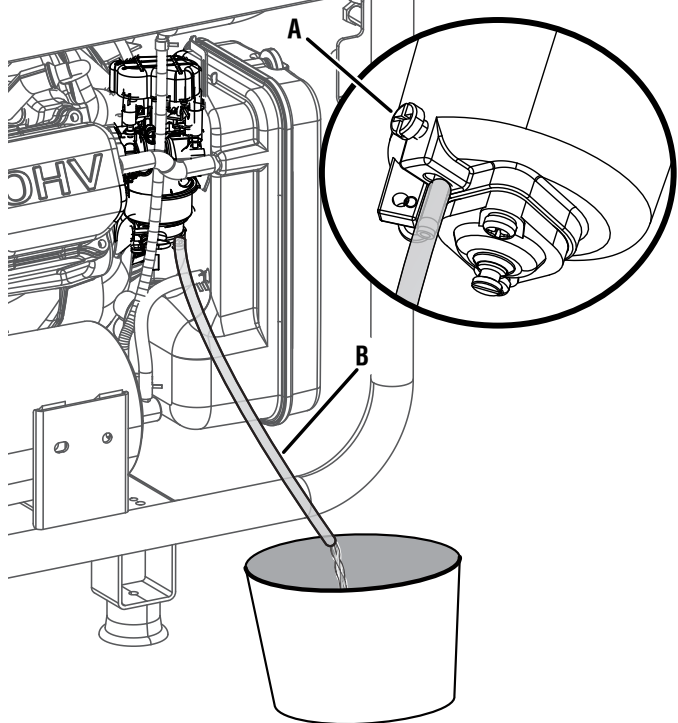
- Después de que el motor comience, cierre la válvula de combustible.
- Permita que el generador funcione hasta que el combustible en el carburador esté agotado y el motor se detenga.

FIG. 34



- A - Parachispas
- B - Pantalla
- C - Soporte
- D - Tornillos

FIG. 35



- A - Tornillo de drenaje
- B - Manguera de drenaje (no incluida)

CUIDADO Y MANTENIMIENTO

Para drenar el tanque de combustible:

AVISO

Para evitar daños a la unidad, drene el aceite del motor antes de vaciar el tanque de combustible. Consulte Cambio del aceite del motor para obtener más detalles.

- Gire el selector de combustible a la posición **COMBUSTIBLE APAGADO** ☹ y cierre la válvula de combustible.
- Limpie el área alrededor de la tapa de combustible y retire la tapa lentamente.
- Retire el filtro de pantalla de combustible comprimiéndolo ligeramente mientras lo retira del tanque.
- Utilizando una bomba manual de gasolina disponible comercialmente (no incluida), extraiga la gasolina del tanque de combustible a un recipiente de gasolina aprobado. **NO** use una bomba eléctrica.

NOTA: El tanque de combustible también se puede drenar utilizando el tornillo de drenaje del carburador y la manguera de drenaje como se describió anteriormente. Gire el selector de combustible a la **Gasolina** ☼ y abra la válvula de combustible para permitir que el combustible fluya desde el tanque a través del carburador.

REEMPLAZANDO EL FILTRO DE COMBUSTIBLE

Voir la figura 37.

Con el tiempo, el filtro de combustible dentro de la válvula de combustible puede ensuciarse u obstruirse. Para reducir el riesgo de falla del motor, reemplace toda la válvula de combustible, incluido el filtro, de acuerdo con las cifras especificadas en el **Programa de mantenimiento** o el manual del motor (si corresponde).

- Apague el generador y deje que el motor se enfríe durante 30 minutos.
- Drene el tanque de combustible como se describió anteriormente.
- Localice la válvula de combustible y observe la orientación de la válvula.

NOTA: Coloque un recipiente de gasolina aprobado debajo de la válvula de combustible para recoger el combustible restante.

- Usando pinzas, apriete el clip de la línea de combustible y deslice la línea de combustible fuera del filtro.
- Con una llave (19 mm) [no incluida], afloje y retire la válvula de combustible del tanque.
- Enrosque la nueva válvula de combustible en el tanque de combustible y apriétela firmemente.
- Instale la línea de combustible en la nueva válvula de combustible.

FIG. 36

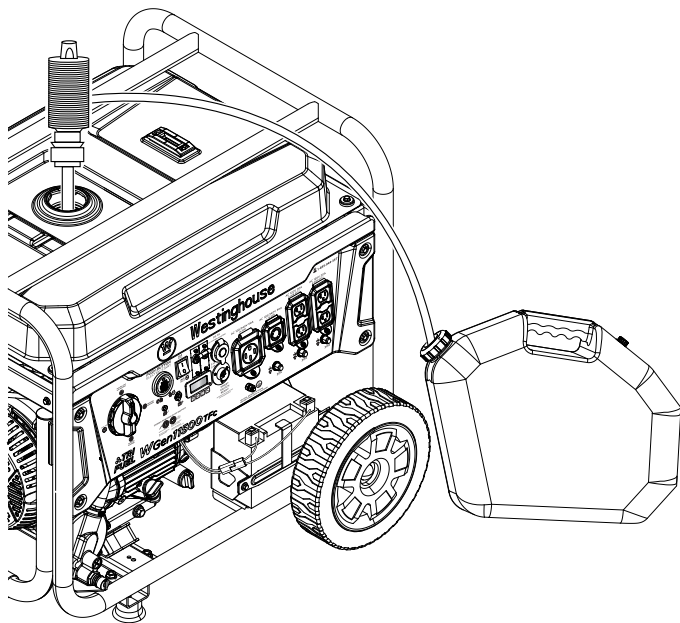
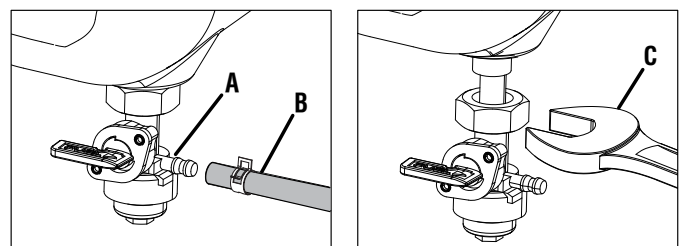


FIG. 37



- A - Válvula de combustible
- B - Línea de combustible
- C - Llave (19 mm) [no incluida]

CUIDADO Y MANTENIMIENTO

COMPROBACIÓN/AJUSTE DEL JUEGO DE VÁLVULAS

Vea la figuras 38 y 39.

AVISO La comprobación y el ajuste de la holgura de las válvulas se deben realizar con el motor frío.

- Apague el generador y deje que el motor se enfríe durante 30 minutos.
- Coloque el generador en una superficie nivelada en un área bien ventilada.
- Retire la cubierta de balancines y retire con cuidado la junta. Si la junta está rota o dañada, debe ser reemplazada.
- Retire la bujía para que el motor pueda girar más fácilmente.
- Tire de la manija de retroceso para girar el motor al punto muerto superior (PMS). Mirando a través del orificio de la bujía; el pistón debe estar en la parte superior (ambas válvulas están cerradas).
- Ambos balancines deben estar sueltos en el PMS en la carrera de compresión. Si no lo están, gire el motor 360°.
- Inserte una galga de espesores entre el balancín y el vástago de la válvula para medir la holgura de la válvula.

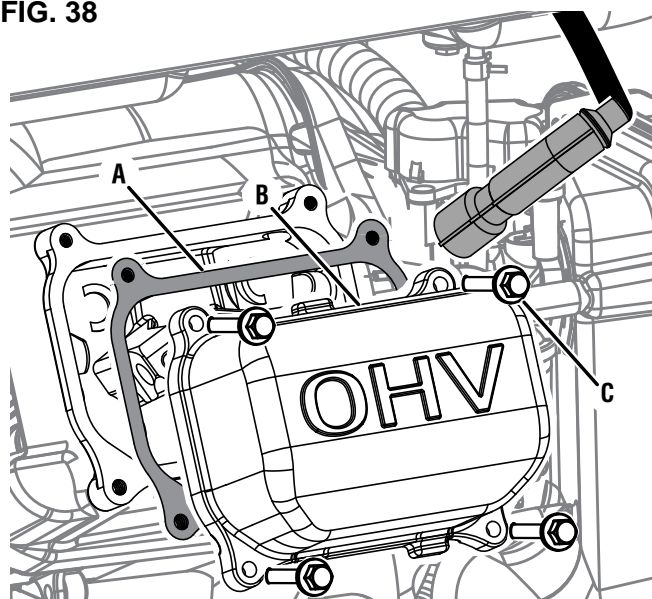
| | Válvula de admisión | Válvula de escape |
|--------------------------|---|---|
| Juego de válvulas | 0.0031 – 0.0047 pulg. (0.08 – 0.12 mm) | 0.0051 – 0.0067 pulg. (0.13 – 0.17 mm) |
| Torsión | 8–12 Nm | 8–12 Nm |

- Si es necesario un ajuste, sujete el pivote del balancín y afloje la tuerca de ajuste del pivote.
- Deslice la galga de espesores adecuada entre el balancín y el vástago de la válvula.
- Gire el pivote del balancín para obtener el espacio libre especificado. Sujete el pivote del balancín y vuelva a apretar la tuerca de ajuste del pivote al par especificado.

Torque: 106 pulgadas-libra (12 Nm)

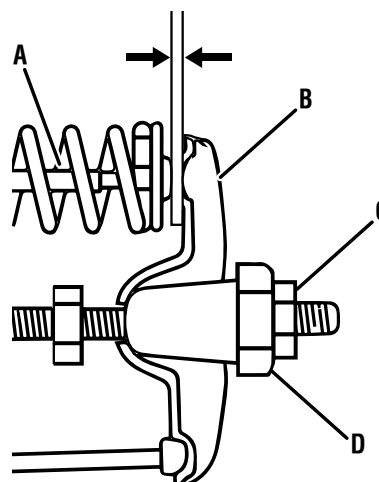
- Vuelva a comprobar la holgura de válvulas.
- Si no se necesitan más ajustes, realice este procedimiento en la otra válvula.
- Cuando haya terminado, instale la junta, la tapa del balancín y la bujía.

FIG. 38



- A - Junta
- B - Cubierta del balancín
- C - Perno

FIG. 39



- A - Vástago de válvula
- B - Balancín
- C - Tuerca de ajuste del pivote
- D - Pivote del balancín

CUIDADO Y MANTENIMIENTO

MANTENIMIENTO DE LA BATERÍA

Vea la figura 40.

⚠ ADVERTENCIA La batería emite gas hidrógeno explosivo durante el funcionamiento normal. Una chispa o una llama pueden hacer que la batería explote con suficiente fuerza para causarle la muerte o lesiones graves. Use ropa protectora y un protector facial, o haga que un técnico calificado realice el mantenimiento de la batería.

⚠ ADVERTENCIA Peligro de quemaduras. La batería contiene ácido sulfúrico (electrolito) que es altamente corrosivo y venenoso. Use ropa protectora y protección para los ojos cuando trabaje cerca de la batería. Mantenga a los niños alejados de la batería.

⚠ ADVERTENCIA NUNCA fume ni trabaje cerca de chispas u otras fuentes de ignición. NUNCA toque ambos terminales de la batería al mismo tiempo con la mano o cualquier herramienta sin aislamiento. Si el ácido de la batería entra en contacto con la piel o la ropa, enjuague inmediatamente con agua y neutralice con bicarbonato de sodio.

La batería enviada con el generador está completamente cargada. Una batería puede perder algo de carga cuando no se usa durante períodos prolongados.

NOTA: Una vez iniciado, el generador cargará la batería después de 30 a 60 minutos de uso.

Cuando el generador no está funcionando, el cargador lento incluido puede permanecer conectado y mantendrá la batería por un período de tiempo indefinido. Una luz roja en el cargador indica que se está cargando. Una luz verde indica que la carga está completa. Cargue en un lugar seco.

- Enchufe el cargador en el puerto de carga de la batería en el panel de control.
- Enchufe el extremo del receptáculo de pared del cargador de batería en un tomacorriente de pared de 120 voltios CA.

CAMBIO DE BATERÍA

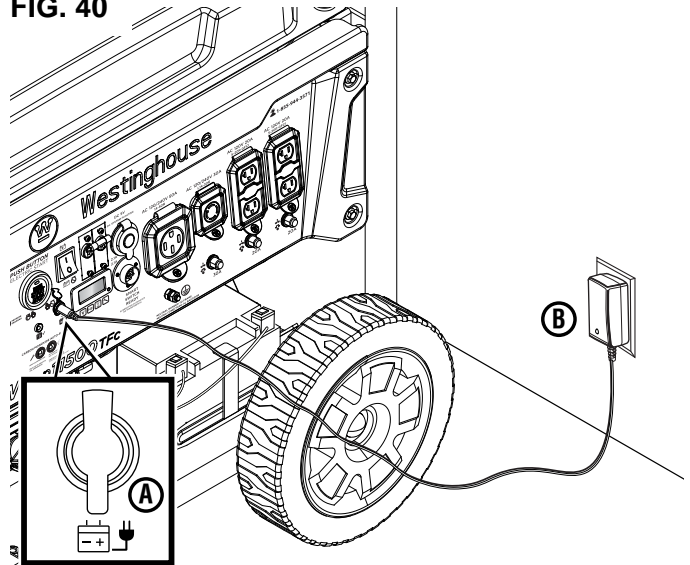
Vea la figura 41.

⚠ PRECAUCIÓN Los postes y terminales de la batería contienen plomo y compuestos de plomo. Lavarse las manos después de la manipulación.

- Retire la rueda frente a la batería.
- Remove the two bolts and battery plate. Tilt the battery forward and remove.
- Retire los dos pernos de la placa de la batería y la placa de la batería. Incline la batería hacia adelante y retírela.
- Desconecte el cable negativo (-) (funda negra) del borne negativo (-) de la batería.
- Desconecte el cable positivo (+) de la batería (bota roja) del poste positivo (+) de la batería

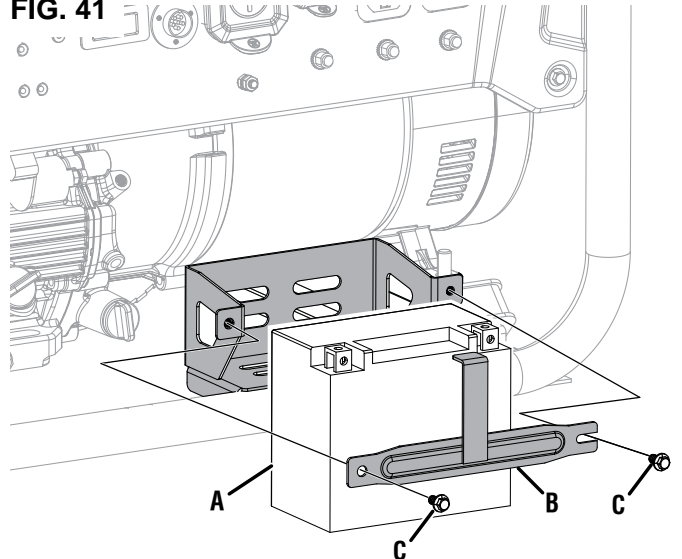
AVISO Siempre conecte los cables en la siguiente secuencia para evitar posibles golpes.

FIG. 40



A - Puerto de carga de la batería
B - Cargador

FIG. 41



A - Batería
B - Placa de batería
C - Perno

- En la batería de repuesto, conecte el cable positivo (+) de la batería (funda roja) al terminal positivo (+) de la batería. Asegure la bota sobre el poste de la batería.
- Conecte el cable negativo (-) de la batería (funda negra) al terminal negativo (-) positivo. Asegure la bota sobre el poste de la batería.
- Instale la batería en la bandeja de la batería. Instale la placa de la batería y los pernos. Apriete los pernos de forma segura.

AVISO Deseche la batería usada correctamente de acuerdo con las pautas establecidas por su gobierno local o estatal.

- Vuelva a instalar la rueda.

CUIDADO Y MANTENIMIENTO

ALMACENAMIENTO

Apague la unidad y deje que se enfríe durante un mínimo de 30 minutos antes de guardarla. Mantenga la unidad en posición vertical. No almacene el generador de costado. Drene el combustible antes de almacenar la unidad. Guarde la unidad y el combustible por separado en áreas bien ventiladas lejos de chispas, llamas abiertas, luces piloto, calor y otras fuentes de ignición.

AVISO La gasolina almacenada por tan solo 30 días puede deteriorarse, causando acumulación de goma, barniz y corrosión en las líneas de combustible, los conductos de combustible y el motor. Esta acumulación corrosiva restringe el flujo de combustible, lo que puede impedir que el motor arranque después de un período de almacenamiento prolongado. El uso de estabilizador de combustible aumenta significativamente la vida útil de almacenamiento de la gasolina. Se recomienda el uso permanente de estabilizador de combustible. Siga las instrucciones de uso del fabricante.

| TIEMPO DE ALMACENAMIENTO | PROCEDIMIENTO RECOMENDADO |
|--------------------------|--|
| Menos de 1 me | Vuelva a colocar todas las cubiertas protectoras en el panel de control del generador. Limpie el exterior del generador y elimine cualquier residuo de las rejillas de ventilación del silenciador. |
| 2 a 6 meses | Vuelva a colocar todas las cubiertas protectoras en el panel de control del generador. Limpie el exterior del generador y elimine cualquier residuo de las rejillas de ventilación del silenciador. Drene el recipiente del flotador del carburador. (Almacene la gasolina en un recipiente para gasolina aprobado o deséchela de acuerdo con las ordenanzas estatales y locales). |
| 6 meses o más | Vuelva a colocar todas las cubiertas protectoras en el panel de control del generador. Limpie el exterior del generador y elimine cualquier residuo de las rejillas de ventilación del silenciador. Drene el recipiente del flotador del carburador y el tanque de combustible. (Almacene la gasolina en un recipiente aprobado para gasolina o deséchelo de acuerdo con las ordenanzas estatales y locales). Ponga una cucharada de aceite de motor en el cilindro de la bujía. Tire suavemente de la manija de retroceso para girar lentamente el motor y distribuir el lubricante. Vuelva a instalar la bujía Cambie el aceite del motor. |

PROGRAMA DE MANTENIMIENTO

El mantenimiento regular mejorará el rendimiento y prolongará la vida útil del generador. Siga los intervalos de hora o de calendario, lo que ocurra primero. Se requiere un servicio más frecuente cuando se opera en condiciones adversas como se indica a continuación.

NOTA: Si su producto tiene un manual del motor separado, ignore la información de este cuadro y siga las instrucciones del manual del motor.

| | Antes cada uso | Después de las primeras 25 horas o el primer mes | Después de 50 horas o cada seis meses | Después de 100 horas o cada seis meses | Después de 300 horas o cada año |
|--|----------------|--|---------------------------------------|--|---------------------------------|
| Revisar el aceite del motor | X | | | | |
| Cambiar el aceite del motor ¹ | | X | X | | |
| Filtro de aire limpio ² | | | X | | |
| Inspeccionar/limpiar parachispas | | | | X | |
| Inspeccionar/limpiar bujía | | | | X | |
| Inspeccionar/Ajustar la holgura de válvulas ³ | | | | X | |
| Reemplace la bujía | | | | | X |
| Reemplace el filtro de aire | | | | | X |
| Reemplace la válvula de combustible | | | | X | |

¹ Cambie el aceite cada mes cuando opere bajo carga pesada o en altas temperaturas.
² Limpie con más frecuencia en condiciones sucias o polvorientas. Reemplace el filtro de aire si no se puede limpiar adecuadamente.
³ Recomiende que el servicio lo realice un distribuidor de servicio autorizado de Westinghouse.

CUIDADO Y MANTENIMIENTO

Las piezas de mantenimiento se pueden comprar directamente de fábrica. A continuación se incluye una lista parcial de las piezas de mantenimiento. Para obtener una lista completa de las piezas de mantenimiento o para obtener información adicional, envíenos un correo electrónico a service@wpowereq.com o llame al 1-855-944-3571.

| | |
|------------------------------------|------------|
| Filtro de aire..... | 2126 |
| Tapón de drenaje de aceite | 91817 |
| Arandela de tapón de drenaje | 94004 |
| Varilla de nivel de aceite..... | 485601-295 |
| Bujía | 97108 |

ADVERTENCIA

No utilice aditamentos o accesorios que no estén recomendados para su uso con este producto. Hacer modificaciones no autorizadas y usar accesorios incompatibles puede dañar la unidad y anular la garantía.

SOLUCIÓN DE PROBLEMAS

| PROBLEMA | CAUSA POSIBLE | CORRECCIÓN |
|---|--|--|
| El motor arranca, luego se apaga | El nivel de combustible es bajo o está agotado. | Agregue gasolina, conecte la manguera de gas natural o conecte el cilindro de propano. |
| | El nivel bajo de aceite del motor detuvo el generador. | Llene el aceite hasta el nivel adecuado y asegúrese de que el generador esté sobre una superficie plana y nivelada. |
| | Filtro de aire sucio. | Limpie el filtro de aire. |
| | Fuente de combustible contaminada. | Drene la gasolina y vuelva a llenar el tanque de combustible, reemplace el cilindro de propano o haga que un profesional limpie la línea de gas natural. |
| | Interruptor de bajo nivel de aceite defectuoso. | Comuníquese con el servicio de atención al cliente de Westinghouse al número gratuito 1 (855) 944-3571. |
| Al motor le falta fuerza | Filtro de aire restringido. | Limpie o reemplace el filtro de aire. |
| | La palanca del estrangulador está en la posición incorrecta. | Mueva la palanca del estrangulador a la posición correcta. |
| | Mal funcionamiento del sistema de combustible, mal funcionamiento del encendido, válvulas atascadas, etc. | Comuníquese con el servicio de atención al cliente de Westinghouse al número gratuito 1 (855) 944-3571. |
| El motor no arranca | El nivel de combustible es bajo o está agotado. | Agregue gasolina, conecte la manguera de gas natural o conecte el cilindro de propano. |
| | Gasolina rancia, generador almacenado sin tratar o drenar gasolina, o recargado con gasolina mala. | Drene el tanque de gasolina. Reposte con gasolina nueva. |
| | Filtro de aire sucio. | Limpie el filtro de aire. |
| | El nivel bajo de aceite del motor detuvo el generador. | Llene el aceite hasta el nivel adecuado y asegúrese de que el generador esté sobre una superficie plana y nivelada. |
| | Bujía mojada con combustible (motor ahogado). | Espera cinco minutos. Gire el interruptor selector de combustible a la posición FUEL OFF ☹. Tire de la manija de retroceso rápidamente varias veces. Si el generador no arranca, retire la bujía y séquela. |
| | Bujía defectuosa, sucia o con separación incorrecta. | Separe o reemplace la bujía. Reinstalar. |
| | El interruptor selector de combustible está en la posición FUEL OFF ☹ | Gire el interruptor selector de combustible a la posición adecuada. |
| | Sensor de CO eliminado o modificado. | Vuelve a la configuración original. |
| Se activó el sensor de CO o se produjo una falla en el sistema. | Reubicar generador / Comuníquese con el servicio de atención al cliente de Westinghouse al número gratuito 1 (855) 944-3571. | |
| El motor funciona con dificultad o se atasca cuando se aplica carga | Filtro de aire sucio. | Limpie el filtro de aire. |
| | Generador sobrecargado. | Desconecte algunos dispositivos. |
| | Herramienta eléctrica o aparato defectuoso. | Reemplace o repare la herramienta o el electrodoméstico. Pare y reinicie el motor. |
| | Mal funcionamiento del sistema de combustible, mal funcionamiento del encendido, válvulas atascadas, etc. | Comuníquese con el servicio de atención al cliente de Westinghouse al número gratuito 1 (855) 944-3571. |
| No hay energía en los receptáculos de CA | Disyuntor(es) de CA disparado(s). | Verifique las cargas de CA y reinicie los disyuntores. |
| | Herramienta eléctrica o aparato defectuoso. | Reemplace o repare la herramienta o el electrodoméstico. Pare y reinicie el motor. |
| | Generador defectuoso. | Comuníquese con el servicio de atención al cliente de Westinghouse al número gratuito 1 (855) 944-3571. |

WGen11500TFc

GÉNÉRATEUR PORTATIF

ESSENCE: 11500 WATTS DE FONCTIONNEMENT | 14500 WATTS DE CRÊTE

PROPANE: 10500 WATTS DE FONCTIONNEMENT | 13500 WATTS DE CRÊTE

GAZ NATUREL: 9500 WATTS DE FONCTIONNEMENT | 12000 WATTS DE CRÊTE

MANUEL DE L'UTILISATEUR

NE PAS RETOURNER CE PRODUIT AU MAGASIN

Si vous avez des questions ou avez besoin d'aide, veuillez appeler le service client au 855-944-3571.

TABLE DES MATIÈRES

| | |
|---|--------------|
| Introduction..... | 2-3 |
| Sécurité | 4-12 |
| Électrique..... | 13 |
| Composants | 14-15 |
| Assemblage..... | 16-17 |
| Fonctionnement..... | 18-27 |
| Entretien et maintenance..... | 27-35 |
| Dépannage..... | 36 |
| Hotline de service/adresse de l'entreprise..... | Page arrière |

INTRODUCTION



AVERTISSEMENT

L'utilisation, l'entretien et la maintenance de cet équipement peuvent vous exposer à des produits chimiques, notamment les gaz d'échappement du moteur, le monoxyde de carbone, les phtalates et le plomb, connus de l'État de Californie pour causer le cancer et des malformations congénitales ou d'autres troubles de la reproduction. Pour minimiser l'exposition, évitez de respirer les gaz d'échappement et portez des gants ou lavez-vous les mains fréquemment lors de l'entretien de cet équipement. Pour plus d'informations, rendez-vous sur www.P65warnings.ca.gov.

AVIS DE NON-RESPONSABILITÉ

Toutes les informations, illustrations et spécifications contenues dans ce manuel étaient en vigueur au moment de la publication. Les illustrations utilisées dans ce manuel sont uniquement destinées à servir de vues de référence représentatives. Nous nous réservons le droit d'apporter des modifications aux spécifications ou à la conception sans préavis.

TOUS LES DROITS SONT RÉSERVÉS

Tous les droits sont réservés. Aucune reproduction autorisée sous quelque forme que ce soit sans l'autorisation écrite de Westinghouse Outdoor Power Equipment.



DANGER

Lisez ce manuel avant d'utiliser ou d'effectuer l'entretien de ce produit. Le non-respect des instructions et des consignes de sécurité de ce manuel peut entraîner des blessures graves ou la mort.



MISES À JOUR

Le dernier manuel d'utilisation de vos produits Westinghouse se trouve sous notre onglet d'assistance wpowereq.com/pages/manuals

Ou scannez le code QR suivant avec l'appareil photo de votre smartphone pour être dirigé vers le lien.



INTRODUCTION

ENREGISTREMENT DU PRODUIT

Pour une couverture de garantie sans problème, il est important d'enregistrer votre produit Westinghouse.

Vous pouvez vous inscrire par :

- Remplir et envoyer la carte d'enregistrement du produit incluse dans le carton.
- Enregistrez votre produit en ligne sur: wpowereq.com/pages/warranty-registration
- Scannez le code QR ci-dessus avec l'appareil photo de votre smartphone pour être dirigé vers le lien d'enregistrement mobile.



Pour vos dossiers

Date d'achat: _____

Numéro de modèle: _____

Numéro de série: _____

Lieu d'achat: _____

- Envoi des informations suivantes sur le produit à :

Westinghouse Outdoor Power

Warranty registration

777 Manor Park Drive

Columbus, OH 43228

IMPORTANT : Conservez votre reçu d'achat pour une couverture de garantie sans problème.

CARACTÉRISTIQUES

Tension CA 120V/240V
Puissance (fonctionnement) 11500W (essence),
10500 (propane), 9500 (gaz naturel)
Puissance (crête) 14500W (essence), 13500 (propane),
12000 (gaz naturel)
Courant CA 95.8/47.9A (essence),
87.5/43.75A (propane), 78.3/39.1A (gaz naturel)
Tension CC 5V
Courant CC 2x2.1A
Fréquence 60 Hz
Phase Single
Tr/min 3600
Facteur de puissance 1.0
Classe d'isolation H

Température ambiante maximale 104°F (40°C)
Type de carburant Essence sans plomb
(87–93 indice d'octane)

Ne pas utiliser de carburant E15 ou E85 dans ce produit

Capacité de carburant 9,5 gallons (36 litres)
Capacité d'huile 1,26 pintes (1,2 litre)
Type d'huile SAE 10W-30
Bougie F7TC
Ecartement électrode bougie 0,03 po. (0,70 mm)
Jeu d'admission de soupape 0,0031 à 0,0047 po.
(0,08 – 0,12 mm)
Jeu d'échappement de soupape 0.0051 – 0.0067 in.
(0.13 – 0.17 mm)
Système de mise à la terre CA Collé au cadre

AVIS

Ce produit est conçu et évalué pour un fonctionnement continu à des températures ambiantes entre 23 °F (-5 °C) et 104 °F (40 °C). Si nécessaire, ce produit peut être utilisé à des températures extrêmement chaudes ou extrêmement froides pendant de courtes périodes. Si le produit est exposé à des températures extrêmes pendant le stockage, il doit être ramené dans la plage de température optimale avant utilisation. Ce produit doit toujours être utilisé à l'extérieur dans un endroit bien aéré et loin des portes, fenêtres et autres événements.

La puissance et le courant maximum sont soumis et limités par des facteurs tels que la teneur en BTU du carburant, la température ambiante, l'altitude, les conditions du moteur, etc. 10 °F (6 °C) au-dessus de 60 °F (16 °C) de température ambiante.

AVIS

L'effet de l'altitude sur la puissance sera plus important si aucune modification du carburateur n'est effectuée. Une diminution de la puissance du moteur diminuera la watts de sortie du générateur. Contactez notre équipe de service pour commander des kits d'altitude.

AVIS

Merci d'avoir choisi Westinghouse ! VEUILLEZ LIRE AVANT DE RETOURNER CE PRODUIT POUR QUELQUE RAISON QUE CE SOIT.

Si vous avez une question ou rencontrez un problème avec votre achat Westinghouse, appelez-nous au 1-855-944-3571 pour parler avec un agent.

CONSERVEZ CE MANUEL POUR RÉFÉRENCE ULTÉRIEURE.

AVOIR DES QUESTIONS?

Écrivez-nous à service@wpowereq.com ou composez le 1-855-944-3571

SÉCURITÉ

DÉFINITIONS DE LA SÉCURITÉ

Les mots DANGER, AVERTISSEMENT, ATTENTION et AVIS sont utilisés tout au long de ce manuel pour mettre en évidence des informations importantes. Assurez-vous que la signification de ces informations de sécurité est connue de tous ceux qui utilisent, effectuent l'entretien ou se trouvent à proximité du générateur.



Ce symbole d'alerte de sécurité apparaît avec la plupart des déclarations de sécurité. Cela signifie attention, devenez vigilant, votre sécurité est en jeu ! Veuillez lire et respecter le message qui suit le symbole des alertes de sécurité.

DANGER Indique une situation dangereuse qui, si elle n'est pas évitée, entraînera la mort ou des blessures graves.

AVERTISSEMENT Indique une situation dangereuse qui, si elle n'est pas évitée, peut entraîner la mort ou des blessures graves.

PRÉCAUTION Indique une situation dangereuse qui, si elle n'est pas évitée, pourrait entraîner des blessures légères ou modérées.

AVIS Indique une situation qui peut causer des dommages au groupe électrogène, à des biens personnels et/ou à l'environnement, ou entraîner un mauvais fonctionnement de l'équipement.

NOTE : Indique une procédure, une pratique ou une condition qui doit être suivie pour que le générateur fonctionne de la manière prévue.

SYMBOLES DE SÉCURITÉ

Suivez toutes les informations de sécurité contenues dans ce manuel de l'utilisateur ainsi que les informations sur l'étiquetage du produit.

| SYMBOLE | DESCRIPTION |
|---------|---|
| | Symbole d'alerte de sécurité |
| | Risque d'incendie |
| | Risque d'électrocution |
| | Risque de brûlures. Ne touchez pas les surfaces chaudes. |
| | Risque d'asphyxie |
| | Ne pas utiliser dans des conditions humides |
| | Lire les instructions du fabricant |
| | Maintenir une distance de sécurité |
| | Terre. Consulter un électricien pour déterminer les exigences de mise à la terre avant l'utilisation. |
| | Monoxyde de carbone |

SÉCURITÉ

IMPORTANTES CONSIGNES DE SÉCURITÉ

⚠ DANGER L'échappement du générateur contient des niveaux élevés de monoxyde de carbone (CO), un gaz invisible, inodore et extrêmement toxique. Si vous sentez une odeur de gaz d'échappement, vous respirez du monoxyde de carbone. Mais, même si vous ne sentez pas les gaz d'échappement, vous inhalez peut-être du CO.

Faites fonctionner **UNIQUEMENT** les génératrices à l'extérieur, dans un endroit bien ventilé. **NE JAMAIS** faire fonctionner les génératrices à l'intérieur, cela **PEUT VOUS TUER EN QUELQUES MINUTES**.

- **Utilisation correcte** – N'utilisez les générateurs qu'à l'extérieur et sous le vent, loin des fenêtres, portes et événements. Dirigez toujours l'évacuation loin des espaces occupés. Installez toujours des détecteurs de monoxyde de carbone alimentés par batterie ou des détecteurs de monoxyde de carbone enfichables avec batterie de secours dans les zones résidentielles. **Voir la figure 1.**

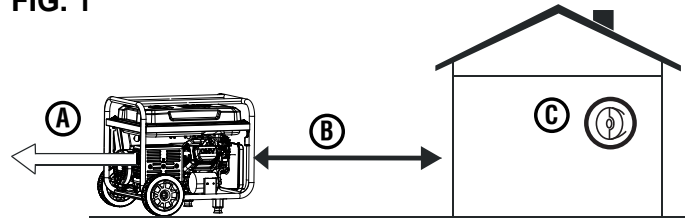
- **Utilisation incorrecte** – **NE JAMAIS** utiliser une génératrice dans votre maison, garage, sous-sol, grenier, vide sanitaire ou tout autre espace entièrement ou partiellement clos. Des zones comme celles-ci peuvent permettre l'accumulation de niveaux dangereux de monoxyde de carbone. Une porte ouverte ou un ventilateur en marche **N'ASSURERA PAS** une ventilation adéquate. **Voir la figure 2.**

Si vous commencez à vous sentir étourdi, faible ou malade pendant l'utilisation du générateur, sortez immédiatement à l'air frais. Contactez un médecin. Vous souffrez peut-être d'une intoxication au monoxyde de carbone.

⚠ DANGER Risque d'incendie et d'électrocution. **NE PAS** brancher au système électrique d'un bâtiment à moins que la génératrice et un commutateur de transfert aient été correctement installés et que la sortie électrique ait été vérifiée par un électricien qualifié. La connexion doit isoler l'alimentation du générateur de l'alimentation secteur et doit être conforme à toutes les lois et codes électriques applicables. Le fait de ne pas isoler correctement l'alimentation du générateur pourrait causer des dommages matériels et créer un dangereux retour d'électricité qui pourrait tuer ou blesser gravement les travailleurs des services publics.

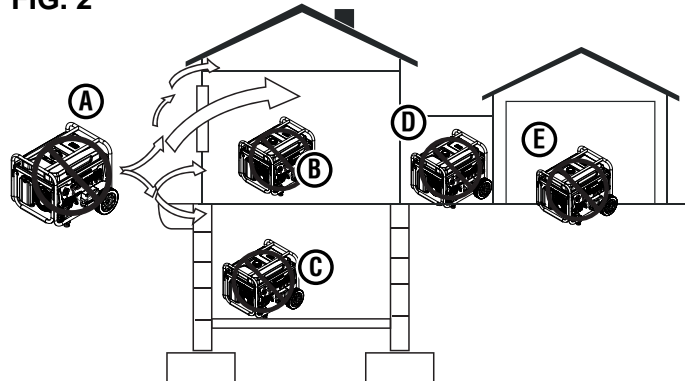
⚠ DANGER Risque d'électrocution. **NE JAMAIS** utiliser le générateur dans un endroit mouillé ou humide. **NE JAMAIS** exposer le générateur à la pluie, à la neige, aux projections d'eau ou à l'eau stagnante pendant son utilisation. Protégez le générateur de toutes les conditions météorologiques dangereuses. L'humidité ou la glace peuvent provoquer un court-circuit ou un autre dysfonctionnement du circuit électrique.

FIG. 1



- A - Échappement (CO)
- B - Utilisez uniquement à l'EXTÉRIEUR et LOIN des fenêtres, des portes et des événements
- C - Détecteurs de CO dans les pièces à vivre

FIG. 2



- A - Échappement (CO)
- B - Espace de vie
- C - Vide sanitaire du sous-sol
- D - Entrée/porche/vestiaire
- E - Garage

⚠ AVERTISSEMENT Familiarisez-vous avec toutes les instructions, les avertissements de sécurité, les illustrations et les spécifications fournies avec ce produit. Le non-respect des instructions du fabricant peut entraîner un choc électrique, un incendie et/ou une intoxication au monoxyde de carbone pouvant entraîner la mort ou des blessures graves.

AVIS Installez des détecteurs de monoxyde de carbone alimentés par batterie ou des détecteurs de monoxyde de carbone enfichables avec batterie de secours dans les zones résidentielles.

- Ce produit doit **UNIQUEMENT** être utilisé à l'extérieur.
- **NE JAMAIS** utiliser une génératrice dans votre maison, garage, sous-sol, grenier, vide sanitaire ou tout autre espace entièrement ou partiellement clos. Des zones comme celles-ci peuvent permettre l'accumulation de niveaux dangereux de monoxyde de carbone. Le monoxyde de carbone (CO), un gaz invisible, inodore et extrêmement toxique **PEUT VOUS TUER EN QUELQUES MINUTES**.
- Utilisez uniquement à l'EXTÉRIEUR et loin des fenêtres, portes et événements, comme recommandé par les centres de contrôle et de prévention des maladies du département américain de la santé et des services sociaux. Votre domicile spécifique et/ou les conditions de vent peuvent nécessiter une distance supplémentaire.

SÉCURITÉ

- Le Code national de l'électricité exige l'utilisation d'un commutateur de transfert ou de tout autre équipement de transfert approprié chaque fois qu'un générateur portable est connecté au système électrique d'un bâtiment. Les commutateurs de transfert isolent l'alimentation du générateur de l'alimentation électrique et empêchent le retour d'énergie électrique dans le système d'alimentation.

NOTE : Un commutateur de transfert doit être installé par un électricien qualifié conformément aux codes électriques applicables. Certaines juridictions peuvent exiger que l'installation soit inspectée par les autorités locales. Conservez toutes les informations pertinentes sur l'installation, l'inspection et la maintenance.

- N'utiliser jamais le groupe électrogène pour alimenter l'équipement de soutien médical.
- Ne jamais exposer le groupe électrogène à la pluie, à la neige, aux projections d'eau ou à l'eau stagnante pendant son utilisation. Stockez et utilisez l'appareil dans un endroit sec ou couvert (mais non fermé).
- Ne laissez pas des enfants ou des personnes non formées utiliser le générateur.
- Gardez les enfants, les spectateurs et les animaux domestiques à au moins 3 mètres d'une génératrice en marche.
- Maintenir la distance de sécurité. Pendant le fonctionnement et le stockage, gardez au moins 1,5 mètres de dégagement de tous les côtés du générateur, y compris au-dessus. Éteignez l'appareil et laissez-le refroidir pendant au moins 30 minutes avant de le ranger. La chaleur créée par le silencieux et les gaz d'échappement peut être suffisamment chaude pour causer de graves brûlures et/ou enflammer des objets combustibles.
- N'utilisez pas l'appareil dans des zones où des matériaux combustibles ou dangereux sont entreposés, y compris des stations-service d'essence et de gaz naturel.
- Ne faites pas fonctionner le groupe électrogène pieds nus, avec les mains ou les pieds mouillés, debout dans l'eau ou dans des conditions humides.
- N'utilisez pas cet appareil lorsque vous êtes fatigué ou sous l'influence de drogues, d'alcool ou de médicaments.
- Risque de brûlure. Ne touchez pas les surfaces chaudes.
- Ne touchez pas le silencieux ou le moteur. Ils sont très CHAUDS et causeront de graves brûlures. Ne mettez pas de parties du corps ou de matériaux inflammables ou combustibles dans le chemin direct de l'échappement.
- Gardez les mains, les doigts, les pieds et les autres parties du corps éloignés de toutes les pièces mobiles du générateur.
- Ne connectez pas de cordons électriques usés ou endommagés au générateur. NE JAMAIS toucher les fils effilochés ou dénudés.
- Ne faites pas fonctionner le groupe électrogène sur une pente. L'appareil doit toujours être placé sur une surface plane et stable.
- Vérifier l'état physique du produit avant chaque utilisation. Recherchez les boulons desserrés, les fuites de liquide et autres signes d'usure. Remplacez tous les éléments endommagés. Pour des pièces de rechange ou de l'assistance, contactez notre service client.
- Pour des performances optimales, utilisez le générateur à des températures comprises entre 23 °F (-5 °C) et 104 °F (40 °C) avec une humidité relative maximale de 90 %.
- Avant de démarrer le générateur, vérifiez tous les liquides (huile et essence).
- Ne retirez pas la jauge d'huile ou le bouchon du réservoir à carburant lorsque le générateur est en marche.
- Bien serrer la jauge d'huile après avoir ajouté de l'huile et le bouchon du réservoir après avoir ajouté de l'essence.
- Évitez tout contact de la peau avec l'huile moteur ou l'essence. Porter des vêtements et un équipement de protection. Laver toute la peau exposée avec de l'eau et du savon. Un contact prolongé de la peau avec de l'essence ou de l'huile moteur peut provoquer une grave irritation de la peau et d'autres effets indésirables.
- Le générateur vibre et rebondit pendant le fonctionnement normal. Vérifiez le générateur et tous les cordons qui y sont connectés pour tout dommage qui pourrait avoir résulté de la vibration. Remplacez ou réparez les éléments endommagés au besoin. N'utilisez pas le générateur ni aucun élément présentant des signes de dommages.
- Tous les outils et appareils électriques alimentés par ce générateur doivent être correctement mis à la terre à l'aide d'un troisième fil ou être à double isolation.
- Avant de transporter le groupe électrogène, déconnectez le couvercle de la bougie, vidangez le carburant et fixez correctement l'unité.
- Du carburant ou de l'huile peut fuir du groupe électrogène pendant le transport. Placez une serviette, une feuille de plastique ou un tampon absorbant sous l'appareil pour protéger votre véhicule.
- Pour prolonger la durée de vie de ce produit, suivez les instructions de la section *Entretien et maintenance* de ce manuel.
- Remplacez les éléments endommagés ou usés par des pièces de rechange recommandées ou équivalentes. L'utilisation d'une pièce incorrecte ou incompatible peut créer un danger pouvant entraîner des blessures graves.
- Retirez toujours tous les outils ou autres équipements de service utilisés pendant l'entretien loin du générateur avant de l'utiliser.

MISE À LA TERRE

Voir la figure 3.

AVERTISSEMENT

Risque d'électrocution. Une mauvaise mise à la terre du générateur peut entraîner un choc électrique.

AVIS

Utilisez uniquement des rallonges, des outils et des appareils à 3 broches mis à la terre, ou des outils et des appareils à double isolation.

Le neutre du générateur est lié au châssis. Il y a un conducteur permanent entre le générateur (fil du stator) et le châssis. Si ce groupe électrogène est utilisé uniquement avec un cordon et une fiche connectés aux prises montées sur le groupe électrogène, le Code national de l'électricité n'exige pas que l'appareil soit mis à la terre. Cependant, d'autres méthodes

SÉCURITÉ

d'utilisation du générateur peuvent nécessiter une mise à la terre pour réduire le risque de choc ou d'électrocution.

Avant d'utiliser la borne de terre, consultez un électricien qualifié, un inspecteur en électricité ou une agence locale ayant juridiction pour les codes ou ordonnances locaux qui s'appliquent à l'utilisation prévue du générateur.

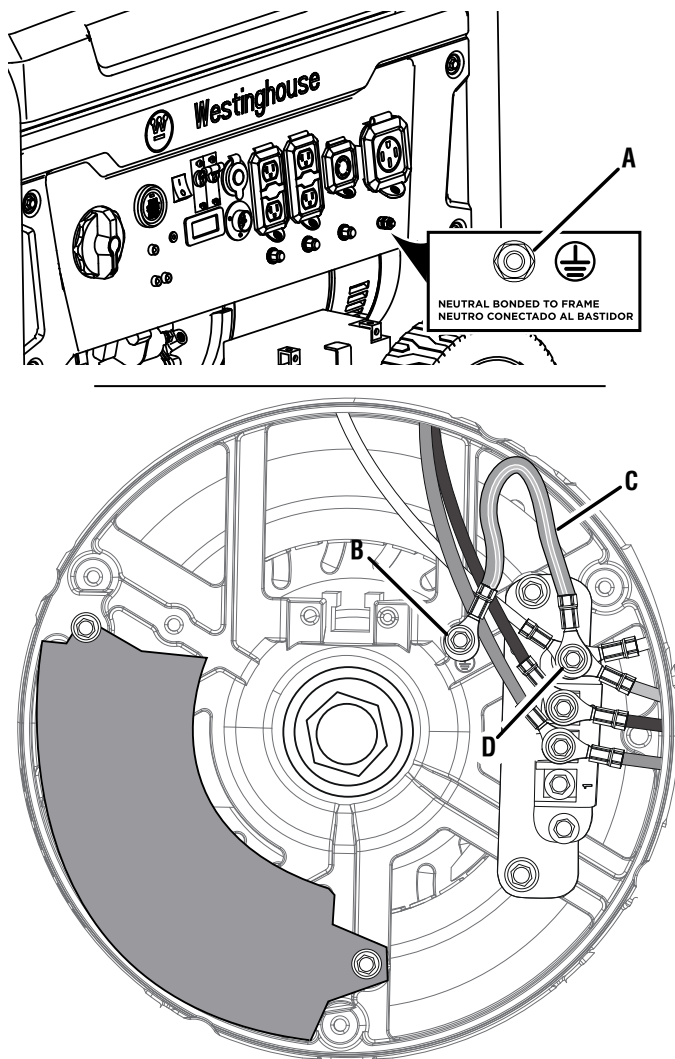
DÉCONNEXION DU NEUTRE COLLÉ

Voir la figure 3.

Le neutre lié ne doit être retiré que dans des circonstances spécifiques. Consultez un électricien qualifié pour déterminer si les circonstances nécessitent de déconnecter le neutre collé.

- Déposer le couvercle de l'alternateur.
- Retirez le fil de liaison vert/jaune du boulon de mise à la terre et de la connexion de la borne non marquée. Réinstallez les boulons et serrez solidement.
- Conservez le fil de raccordement collé dans un endroit sûr afin que le générateur puisse revenir à sa configuration d'origine.

FIG. 3



- A - Borne mise à la terre
- B - Boulon de terre
- C - Fil de connexion collé (vert/jaune)
- D - Connexion de borne non marquée

AVIS Appliquez une nouvelle étiquette « NEUTRE NON LIÉ » sur l'étiquette « NEUTRE LIÉ AU CADRE » à l'avant du panneau de commande.

PRÉCAUTIONS DE SÉCURITÉ POUR L'ESSENCE ET LES VAPEURS D'ESSENCE

⚠ DANGER Risque d'incendie et d'explosion. L'essence est hautement explosive et inflammable et peut causer des brûlures graves ou la mort.

⚠ AVERTISSEMENT Risque d'incendie et de brûlure. NE JAMAIS desserrer ou retirer le bouchon de carburant pendant que le générateur est en marche. Éteignez l'appareil et laissez-le refroidir pendant au moins cinq minutes avant d'ajouter de l'essence. Desserrez lentement le bouchon du réservoir.

⚠ AVERTISSEMENT En cas d'incendie d'essence, n'essayez pas d'éteindre la flamme à moins que sélecteur de carburant ne soit en position **OFF**. L'introduction d'un extincteur dans un générateur avec un robinet de carburant ouvert pourrait créer un risque d'explosion.

- Risque d'incendie. L'essence est hautement inflammable. Manipuler avec soin.
- N'utilisez jamais d'essence comme agent de nettoyage.
- L'essence est un irritant cutané et doit être nettoyée immédiatement si elle entre en contact avec la peau.
- N'entreposez pas d'essence à proximité d'appareils de chauffage, de chauffe-eau ou de tout autre appareil produisant de la chaleur ou à allumage automatique.
- Gardez l'essence à l'écart des étincelles, des flammes nues, des veilleuses, de la chaleur et de toute autre source d'inflammation.
- Entreposez tous les contenants contenant de l'essence dans un endroit bien aéré, à l'écart de tout combustible ou source d'inflammation.
- Entreposez TOUJOURS l'essence dans un bidon approuvé pour l'essence. Les contenants non approuvés peuvent se briser ou se détériorer, ce qui permet à l'essence ou aux vapeurs d'essence de s'échapper, ce qui peut créer un grave danger.
- L'essence a une odeur particulière, cela aidera à détecter rapidement les fuites potentielles.
- Les vapeurs de gaz peuvent provoquer un incendie si elles s'enflamment.
- Ne fumez pas lorsque vous manipulez du carburant, ajoutez du carburant au générateur ou videz le réservoir d'essence.
- Portez des lunettes de protection pendant le ravitaillement en carburant.
- Avant d'ajouter du carburant au générateur, éteignez l'appareil et laissez-le refroidir pendant au moins cinq minutes. Si nécessaire, déplacez l'unité sur un sol plat.
- Ne retirez pas le bouchon du réservoir de carburant lorsque le générateur est en marche.

SÉCURITÉ

- Desserrez lentement le bouchon de carburant pour relâcher la pression en toute sécurité, empêcher l'essence de s'échapper autour du bouchon et éviter que la chaleur du silencieux n'enflamme les vapeurs de carburant.
- Ne remplissez JAMAIS le réservoir d'essence du générateur au-delà de l'anneau de remplissage maximum sur l'écran de carburant. Maintenir les niveaux d'essence au niveau ou en dessous de l'anneau de remplissage permettra l'expansion du carburant. Un remplissage excessif du réservoir de carburant peut entraîner un débordement soudain d'essence et entraîner le contact de l'essence renversée avec des surfaces CHAUDES.
- Le carburant renversé peut s'enflammer. Essuyez immédiatement les déversements et laissez sécher la zone avant de faire fonctionner le générateur. N'essayez jamais de brûler du carburant renversé.
- Bien serrer le bouchon du réservoir après avoir ajouté de l'essence.
- Ne couvrez pas le bouchon du réservoir pendant que le générateur est en marche. Le fait de couvrir le capuchon peut provoquer une panne du moteur ou endommager le produit.
- Vidanger le carburant avant de ranger l'appareil. Stockez l'appareil et le carburant séparément dans des zones bien ventilées, à l'écart des étincelles, des flammes nues, des veilleuses, de la chaleur et d'autres sources d'inflammation.
- Éteignez l'appareil et laissez-le refroidir pendant au moins 30 minutes avant de vidanger le carburant.

GAZ DE PÉTROLE LIQUÉFIÉ (GPL/PROPANE)

⚠ AVERTISSEMENT Risque d'incendie et d'explosion. N'utilisez jamais un réservoir de gaz, un tuyau de GPL/propane, une bouteille de propane ou tout autre élément de carburant qui semble être endommagé. S'il y a une forte odeur de propane pendant le fonctionnement de la génératrice, fermez complètement le robinet de la bouteille de propane immédiatement. Une fois le propane éteint, utilisez de l'eau savonneuse pour vérifier les fuites sur le tuyau et les connexions sur la valve du réservoir et le générateur. Ne fumez pas, n'allumez pas de cigarette et ne vérifiez pas les fuites à l'aide d'une source de flamme nue telle qu'une allumette ou un briquet. Si une fuite est détectée, contactez un technicien qualifié pour inspecter et réparer le système GPL/propane avant d'utiliser la génératrice.

⚠ PRÉCAUTION Risque d'incendie et d'explosion. N'utilisez que des bouteilles de propane approuvées avec une soupape de dispositif de prévention de débordement (OPD). Maintenez toujours le réservoir en position verticale avec la vanne sur le dessus et placé au niveau du sol sur une surface plane. Ne laissez pas les réservoirs à proximité d'une source de chaleur. Lors du transport et du stockage, tournez le robinet de la bouteille de propane en position complètement fermée et déconnectez le réservoir. Assurez-vous de toujours couvrir l'entrée du générateur et la sortie du réservoir avec des capuchons de protection en plastique.

- Le GPL/propane est hautement inflammable et explosif.
- En cas d'incendie de GPL/propane, NE PAS tenter d'éteindre la flamme si le robinet de carburant est en position gaz. L'introduction d'un extincteur dans un générateur avec un robinet de carburant ouvert pourrait créer un risque d'explosion.
- Le GPL/propane peut se déposer dans des endroits bas car il est plus lourd que l'air.
- Le GPL/propane a une odeur distinctive ajoutée pour aider à détecter les fuites potentielles. S'il y a une odeur, **NE PAS** utiliser le moteur.
- Gardez toujours une bouteille de propane en position verticale.
- Lors du remplacement des bouteilles de propane, assurez-vous que le robinet de la bouteille est du même type.
- Le GPL/propane brûlera la peau. Éviter tout contact avec la peau en tout temps.
- Gardez la bouteille de propane éloignée de l'échappement du générateur.
- Les grandes bouteilles de propane (500 à 1 000 gallons) nécessiteront un plombier certifié pour installer la conduite de carburant vers le générateur et le régulateur desserré n'est pas utilisé (le régulateur qui est fixé au réservoir de carburant). La pression mesurée au niveau du régulateur monté sur le générateur doit être de 7 po à 14 po de colonne d'eau. Un plombier certifié doit s'assurer que la pression est correcte ou installer un régulateur abaisseur si nécessaire.
- Assurez-vous que le générateur et la bouteille de propane sont sur une surface plane avant de les utiliser.
- S'il y a une odeur de propane, ne démarrez pas l'appareil car il peut y avoir une fuite potentielle. Ne placez jamais une bouteille de propane près de l'échappement du moteur.
- Lors du transport, assurez-vous que la bouteille de propane et le tuyau de GPL/propane ne sont pas fixés au générateur.
- Entrez la bouteille de propane à l'écart des étincelles, des flammes nues, des veilleuses, de la chaleur et de toute autre source d'inflammation.
- N'entrez pas de bouteille de propane à proximité d'appareils de chauffage, de chauffe-eau ou de tout autre appareil produisant de la chaleur ou à allumage automatique.

GAZ NATUREL (GN)

⚠ AVERTISSEMENT Risque d'incendie et d'explosion. N'utilisez jamais une conduite d'alimentation en gaz naturel, un tuyau de gaz naturel ou tout autre élément de carburant qui semble être endommagé. S'il y a une forte odeur de gaz naturel pendant le fonctionnement du générateur, fermez immédiatement toutes les sources de gaz. Une fois le gaz naturel éteint, utilisez de l'eau savonneuse pour vérifier les fuites sur le tuyau et les connexions sur l'alimentation de dérivation et la génératrice. Ne fumez pas, n'allumez pas de cigarette et ne vérifiez pas les fuites à l'aide d'une source de flamme nue telle qu'une allumette ou un briquet. Si une fuite est détectée, contactez un plombier qualifié pour inspecter et réparer le système de gaz naturel avant d'utiliser la génératrice.

SÉCURITÉ

⚠ AVERTISSEMENT Le gaz naturel (GN) est hautement explosif et inflammable et peut causer de graves brûlures ou la mort.

⚠ AVERTISSEMENT Ne faites pas passer le tuyau de gaz naturel sous une terrasse, un patio flottant ou toute autre structure. Le tuyau doit être visible.

⚠ AVERTISSEMENT Pour une installation appropriée, consultez un plombier de gaz naturel professionnel agréé.

⚠ AVERTISSEMENT Coupez le gaz à la conduite d'alimentation en gaz naturel lorsque le générateur n'est pas utilisé.

AVIS L'installation du générateur doit être strictement conforme à toutes les lois fédérales, étatiques et locales applicables ainsi que des codes et réglementations. Les lois et réglementations relatives à l'installation de cet équipement sont systématiquement mises à jour et peuvent varier en fonction de la juridiction locale pertinente, de la façon dont le générateur sera utilisé et du site d'installation. Vérifiez auprès de l'autorité ayant la juridiction locale (AHJ) pour une liste complète des lois, réglementations et codes qui peuvent vous demander. **Informations ce manuel ne doit jamais être interprété d'une manière qui entre en conflit avec les lois locales, étatiques ou fédérales. En cas de doute, demeurez-vous toujours par les lois locales.**

- Inspectez le tuyau de gaz naturel avant chaque utilisation et remplacez-vous s'il est endommagé.
- Utilisez uniquement des tuyaux de gaz naturel conformes aux lois locales, étatiques ou fédérales. Les exigences du tuyau peuvent varier dans différentes régions. Vérifiez auprès de l'autorité ayant une juridiction locale (AHJ).
- Vérifiez que la conduite d'alimentation en gaz naturel de la maison a été correctement installée par un plombier qualifié et que le tuyau de gaz naturel est solidement connecté avant d'utiliser le générateur.
- Avant de démarrer le moteur, purgez la ligne d'alimentation en gaz naturel et effectuez un test de fuite.
- Je déconnectez toujours le générateur et le tuyau de gaz naturel de la conduite d'alimentation en gaz naturel lorsque l'alimentation en gaz est testée sous pression.
- Gardez le tuyau de gaz naturel et la conduite d'alimentation en gaz naturel loin du silencieux et d'autres surfaces chauffées.
- Je garde un extincteur près du générateur à tout moment.

TEST DE FUITE

Voir Figure 4.

AVIS Les connexions sur le tuyau et l'entrée de gaz naturel/propane ont été testées en usine pour s'assurer qu'il n'y avait pas de fuites de gaz. Cependant, l'expédition et la manutention peuvent avoir des connexions desserrées. Nous vous recommandons de toujours tester les fuites avant d'utiliser le générateur.

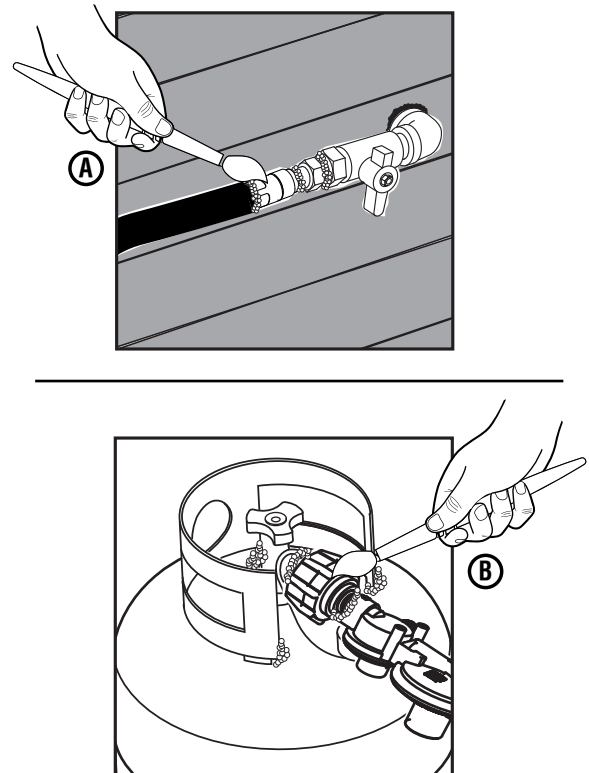
Pour tester les fuites de gaz naturel (GN) :

- Raccordez le tuyau de gaz naturel à l'entrée de gaz naturel/propane de la génératrice et à la conduite d'alimentation en gaz naturel.
- Badigeonnez l'entrée, les raccords de tuyau et la vanne d'alimentation en gaz avec une solution savonneuse composée d'un mélange 20/80 de savon doux et d'eau.
- Si des bulles commencent à grossir, il y a une fuite.
 - Si la fuite se situe au niveau de l'entrée, contactez le service client. **NE PAS UTILISER LE GÉNÉRATEUR.**
 - Si la fuite se situe au niveau des raccords de tuyau, réinstallez le tuyau en toute sécurité et effectuez à nouveau la vérification. Si les fuites persistent, **NE PAS UTILISER LE GÉNÉRATEUR.**
 - Si la fuite se situe au niveau de la conduite d'alimentation en gaz naturel, **N'UTILISEZ PAS LA GÉNÉRATRICE.**

Pour tester les fuites de GPL/propane :

- Connectez le tuyau de GPL/propane à l'entrée de gaz naturel/propane du générateur et au robinet de la bouteille.
- Ouvrez le robinet de la bouteille. Si vous entendez un bruit de précipitation, fermez immédiatement le robinet de la bouteille. Ce bruit indique une fuite importante au niveau du raccordement. Remplacez le cylindre ou faites-le réparer.
- Brossez l'entrée, les raccords de tuyau et la bouteille de GPL avec une solution savonneuse composée d'un mélange 20/80 de savon doux et d'eau.
- Si des bulles commencent à grossir, il y a une fuite.

FIG. 4



- A - Test de fuite avec de l'eau savonneuse (gaz naturel)
- B - Test de fuite avec l'eau savonneuse (propane)

SÉCURITÉ

- Si la fuite se situe au niveau de l'entrée, contactez le service client. **NE PAS UTILISER LE GÉNÉRATEUR.**
- Si la fuite se situe au niveau des raccords de tuyau, réinstallez le tuyau en toute sécurité et effectuez à nouveau la vérification. Si les fuites persistent, **NE PAS UTILISER LE GÉNÉRATEUR.**
- Si la fuite se situe au niveau de la bouteille, ne pas utiliser ni déplacer la bouteille. Contactez les pompiers ou le fournisseur de gaz.

INFORMATIONS IMPORTANTES POUR LE CAPTEUR DE CO

Le capteur de CO surveille l'accumulation de monoxyde de carbone toxique autour du générateur lorsque le moteur tourne. Si des niveaux croissants de gaz CO sont détectés, le capteur de CO arrête automatiquement le moteur.

Le capteur de CO détectera également l'accumulation de monoxyde de carbone provenant d'autres sources de combustion de carburant utilisées dans la zone de fonctionnement. Par exemple, si l'échappement d'outils à combustible est dirigé vers un générateur équipé d'un capteur de CO, un arrêt peut être déclenché en raison de l'augmentation des niveaux de CO. Ce n'est pas une erreur. Du monoxyde de carbone dangereux a été détecté. Déplacez et redirigez toute autre source de combustion de combustible pour dissiper le monoxyde de carbone loin des personnes et des bâtiments occupés.

NOTE : Les générateurs équipés d'un démarrage à distance doivent être redémarrés avec le bouton START/STOP sur le panneau de commande après un arrêt automatique.

Les groupes électrogènes sont destinés à être utilisés à l'extérieur, loin des bâtiments occupés et l'échappement dirigé loin des personnes et des bâtiments. S'il est mal utilisé et utilisé dans un endroit qui entraîne l'accumulation de CO, comme dans une zone partiellement fermée, le capteur de CO arrête le moteur et le voyant lumineux ROUGE clignote pour informer l'utilisateur qu'il existe des niveaux dangereux de monoxyde de carbone.

Si le générateur s'arrête et que le voyant lumineux ROUGE clignote, quittez immédiatement la zone. Attendez que le monoxyde de carbone se dissipe et que le voyant lumineux ROUGE s'éteigne avant de retourner dans la zone affectée. Une fois que vous pouvez revenir en toute sécurité, lisez l'étiquette d'action pour connaître les étapes à suivre. Le capteur de CO **NE** remplace **PAS** les avertisseurs de monoxyde de carbone. Installez des détecteurs de monoxyde de carbone à piles dans votre maison.

AVERTISSEMENT L'arrêt automatique accompagné d'un voyant lumineux ROUGE clignotant dans la partie capteur de CO du panneau de commande indique que le générateur était mal situé, ce qui a permis au monoxyde de carbone de s'accumuler à des niveaux dangereux. Si vous commencez à vous sentir malade, étourdi, faible ou si les détecteurs de monoxyde de carbone de votre maison indiquent une alarme, rendez-vous immédiatement dans un endroit bien aéré. Appelez les services d'urgence. Vous pourriez être victime d'une intoxication au monoxyde de carbone.

COMPRENDRE LES VOYANTS LUMINEUX DU CAPTEUR DE CO

Voir la figure 5.



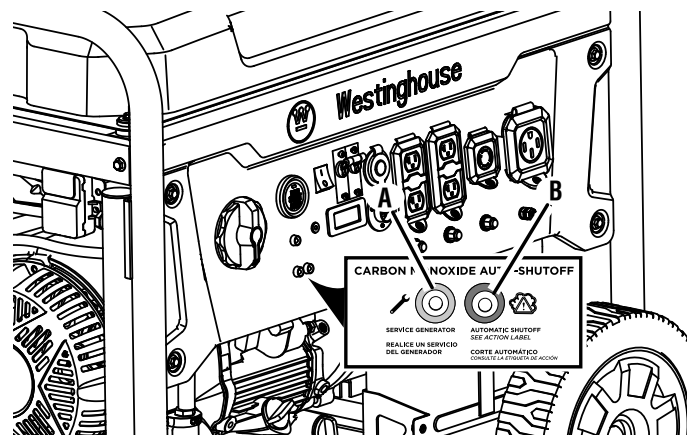
| COULEUR | DESCRIPTION |
|--|--|
| <p>ROUGE</p>  | <p>Niveaux dangereux de monoxyde de carbone accumulés autour du générateur. Après l'arrêt, le voyant lumineux ROUGE dans la zone du capteur de CO du panneau de commande clignotera pour indiquer que le générateur a été arrêté en raison de niveaux de monoxyde de carbone dépassant un seuil de sécurité. Le voyant ROUGE clignotera pendant au moins cinq minutes après un arrêt dû au CO.</p> <p>Lorsque vous pouvez le faire en toute sécurité, déplacez le générateur dans une zone extérieure dégagée, loin des espaces occupés, avec l'échappement dirigé vers l'extérieur. Une fois déplacé dans une zone sûre et que le voyant lumineux rouge est éteint, le générateur peut être redémarré. Aérez la zone où le générateur s'est arrêté.</p> |
| <p>JAUNE</p>  | <p>Une défaillance du système de capteur de CO s'est produite. Lorsqu'un défaut du système se produit, le générateur s'arrête automatiquement et le voyant lumineux JAUNE situé dans la zone d'arrêt automatique du CO du panneau de commande clignote pour signaler une anomalie. Le voyant lumineux JAUNE clignote pendant au moins cinq minutes après un défaut. Le générateur peut être redémarré mais peut continuer à s'arrêter. Un défaut du capteur de CO ne peut être diagnostiqué et réparé que par un centre de service agréé Westinghouse.</p> |

FIG. 5



- A - DEL du générateur de service (service generator)
- B - DEL d'arrêt automatique (automatic shutoff)

SÉCURITÉ

ÉTIQUETTES ET AUTOCOLLANTS DE SÉCURITÉ

Les informations suivantes figurent sur les étiquettes et les autocollants de votre générateur.

① Étiquette d'action

Si des niveaux dangereux de monoxyde de carbone s'accumulent autour du générateur, un arrêt automatique se produira. Si l'appareil s'éteint, quittez immédiatement la zone. Lorsque vous pouvez revenir en toute sécurité, procédez comme suit :

- Déplacez le générateur dans un espace extérieur ouvert.
- Dirigez l'échappement vers l'extérieur.
- Ne pas faire fonctionner le générateur dans des espaces clos (par exemple, maison ou garage).
- Déplacez-vous dans un endroit aéré.
- Obtenez de l'aide médicale si vous êtes malade, étourdi ou faible.
- **AVERTISSEMENT** – L'altération du capteur de monoxyde de carbone peut entraîner des conditions dangereuses.

② Monoxyde de carbone

- L'utilisation d'un générateur à l'intérieur **PEUT VOUS TUER EN QUELQUES MINUTES**. L'échappement du générateur contient du monoxyde de carbone. C'est un poison que vous ne pouvez ni voir ni sentir.
- **NE JAMAIS** utiliser à l'intérieur d'une maison ou d'un garage, **MÊME** si les portes et les fenêtres sont ouvertes.

③ Sortir le générateur

Les générateurs sont destinés à être utilisés à l'extérieur.

④ Proposition 65 de la Californie

Cancer et troubles de la reproduction - www.P65Warnings.ca.gov/product

⑤ Risque de pincement

Gardez les doigts et les mains éloignés du point de pincement.

⑥ Ajouter de l'huile

Ajouter de l'huile moteur jusqu'à ce que le niveau d'huile se situe dans la plage de fonctionnement sécuritaire.

⑦ Caractéristiques

(Voir la page 3)

⑧ Surface chaude

Ne pas toucher.

⑨ Marche/arrêt de l'étranglement

Le générateur a un starter à deux positions.

⑩ étiquette de performance

(Voir la page 3)

1 ACTION LABEL
ETIQUETA DE FUNCIONAMIENTO
ETIQUETA DE ACCIÓN

- MOVE GENERATOR TO AN OPEN, OUTDOOR AREA, POINT EXHAUST AWAY.
- DON'T RUN GENERATOR IN ENCLOSED AREAS (E.G., NOT IN HOUSE OR GARAGE).
- MOVER EL GENERADOR A UN AREA ABIERTA, EN EXTERIORES.
- ORIENTAR EL TUBO DE ESCAPE HACIA AFUERA.
- NO ACTIVAR EL GENERADOR EN AREAS CERRADAS (P. EJ. EN UNA CASA O GARAJE).
- RELOCAR EL GENERADOR EN UN ESPACIO EXTERIOR ABIERTO.
- DIRIGIR EL ESCAPEMENTO LEJOS DE VOUS.
- NE PAS FAIRE FONCTIONNER LA GÉNÉRATRICE DANS DES ENDROITS FERMÉS (PAR EX. LA MAISON OU LE GARAGE).

WARNING
ADVERTENCIA
AVERTISSEMENT

TAMPERING WITH CARBON MONOXIDE SENSOR COULD RESULT IN HAZARDOUS CONDITION
PAISER ALTERACIONES CON SENSOR DE MONOXIDO DE CARBONO PODRAN CAUSAR CONDICIONES PELIGROSAS
L'ALTÉRATION DU CAPTEUR DE MONOXYDE DE CARBONE PEUT ENTRAINER DES CONDITIONS DANGEREUSES

POINT
ORIENTAR
DIRIGIR

EXHAUST
EL TUBO DE ESCAPE
L'ÉCHAPPEMENT

AWAY
HACIA AFUERA
LOIN DE VOUS

AUTOMATIC SHUTOFF - YOU MUST:
ETIQUETA DE FUNCIONAMIENTO:
ETIQUETA DE ACCIÓN:

- MOVE TO FRESH AIR.
- GET MEDICAL HELP IF SICK, DIZZY OR WEAK.
- MOVER AL AIRE LIBRE.
- OBTENER ATENCIÓN MÉDICA SI SE SIENTE ENFERMO, MAREADO O DÉBIL.
- VOUS RETIENIR À L'AIR FRAIS
- CONSULTER UN MÉDECIN SI VOUS ÊTES MALADE, ÉTOURDI OU FAIBLE

2 DANGER

USING A GENERATOR INDOORS CAN KILL YOU IN MINUTES. GENERATOR EXHAUST CONTAINS CARBON MONOXIDE. THIS IS A POISON YOU CANNOT SEE OR SMELL.

NEVER USE INSIDE A HOME OR GARAGE, EVEN IF DOORS AND WINDOWS ARE OPEN.

PEUT VOUS TUER EN QUELQUES MINUTES.

Les gaz d'échappement du générateur contiennent du monoxyde de carbone. C'est un gaz toxique invisible et inodore.

- **NE JAMAIS** utiliser à l'intérieur d'une maison ou d'un garage, **MÊME** si les portes et les fenêtres sont ouvertes.
- Utiliser **UNIQUEMENT** à l'EXTÉRIEUR et loin des fenêtres, portes et ventilations.

ONLY USE OUTSIDE AND FAR AWAY FROM WINDOWS, DOORS, AND VENTS.

El escape del generador contiene monóxido de carbono. Es un veneno que no tiene olor ni se puede ver.

- **NUNCA** lo use dentro de una casa o garaje, **AUN** si las puertas y ventanas están abiertas.
- Sólo úsalo **EN EXTERIORES** y lejos de ventanas, puertas y ductos de ventilación.

DANGER **PELIGRO**

3 TAKE GENERATOR OUTSIDE

Generators are intended to be used outdoors, far from occupied buildings and the exhaust pointed away from personnel and buildings. This generator is equipped with a carbon monoxide auto-shutoff system (CO Sensor). The CO Sensor monitors for the accumulation of poisonous carbon monoxide (CO) gas around the generator when the engine is running. If the generator is operated in a location that results in the accumulation of CO and increasing levels of CO gas are detected, the CO Sensor is designed to shut down the engine and notify the user with a red indicator light.

THE CO SENSOR DOES NOT REPLACE CARBON MONOXIDE ALARMS.

Install battery-powered carbon monoxide alarm(s) in your home or plug-in carbon monoxide detectors with battery back-up in living areas.

Refer to the User Manual and Action Label located on top of generator for steps to take.

Disconnecting or modifying the CO sensor will make the generator inoperable.

4 WARNING: Cancer and reproductive harm - www.P65Warnings.ca.gov/product

AVERTISSEMENT: Cancer et problèmes de reproduction - www.P65Warnings.ca.gov/product

ADVERTENCIA: Cáncer y daños al sistema reproductor - www.P65Warnings.ca.gov/product

5

6

7 Westinghouse Outdoor Power Equipment
Columbus Ohio 43228 USA

Made in: Model:

Facteur de: Modèle:

| | | | | | |
|---------------------------|--------------------------------|-----------------------------------|-----------------------|-------------------------------------|--------------|
| Rev. Level / Révision | | Power (Rated) / Puissance (Nom.) | 11.5kW GAS / 9.5kW NG | Insul Class / Classe D'isol. | H |
| Phase | Single | Power (Peak) / Puissance (Pointe) | 14.5kW GAS / 12kW NG | Max Amb Temp. / Temp. Amb. Max | 40°C (104°F) |
| AC Voltage / Tension CA | 120/240V | Frequency / Fréquence | 60Hz | Duty Service | S1 |
| AC Current / Intensité CA | 95.8/47.9A GAS / 78.3/39.1A NG | RPM / TR/MIN | 3600rpm | Power Factor / Facteur de puissance | 1.0 |

Serial No./No. De Série

Register your product:

8 CAUTION HOT SURFACES
PRECAUCIÓN SUPERFICIES CALIENTES
ATTENTION AUX SURFACES CHAUDES

9 CHOKE
OFF ON

| | | | |
|-----------|-----------------------------|-----------------------------|-----------------------------|
| 10 | GASOLINE | PROPANE | NATURAL GAS |
| | 11500 14500 | 10500 13500 | 9500 12000 |
| | RUNNING WATTS PEAK WATTS | RUNNING WATTS PEAK WATTS | RUNNING WATTS PEAK WATTS |

SÉCURITÉ

11 Capacité de carburant

Ce générateur a un réservoir de carburant de 5,3 gallons. Utilisez TOUJOURS de l'essence PROPRE, FRAÎCHE et sans plomb (indice d'octane 87–93) dans cet appareil. Ne pas utiliser de carburant E15 ou E85 dans ce produit.

12 Cylindrée du moteur

Cette unité a un moteur de 550 cc.

13 Étiquette de danger

Lisez le manuel de l'utilisateur avant d'utiliser le générateur. L'essence, le gaz naturel et le GPL/propane sont hautement inflammables. Une fuite d'essence, de gaz naturel ou de GPL peut provoquer un incendie ou une explosion en cas d'inflammation. Si vous sentez une odeur d'essence, de gaz naturel ou de propane pendant le fonctionnement de l'appareil, fermez immédiatement le robinet de carburant et/ou de propane. Gardez le bidon d'essence, les tuyaux de gaz naturel et la bouteille de propane à l'écart des gaz d'échappement.

14 Pas d'huile

L'huile a été vidangée de l'unité pour l'expédition. Ajouter de l'huile avant d'essayer de faire fonctionner l'appareil.

15 Étiquette d'avertissement

Éteignez le propane et le gaz naturel lorsque le générateur est éteint ou lorsque le générateur utilise du gaz.

16 Entretien du filtre à air

Nettoyez le filtre à air toutes les 50 heures (toutes les 10 heures en cas d'utilisation dans des conditions poussiéreuses).

17 Vanne de carburant

Tournez le robinet de carburant en position marche lors du démarrage de l'appareil. Tournez le robinet de carburant en position d'arrêt lorsque l'appareil n'est pas utilisé.

18 Service clients

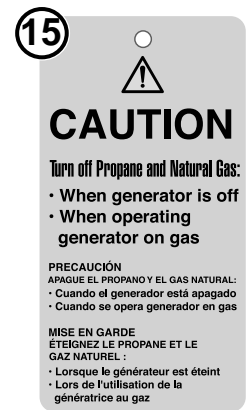
Pour une assistance technique ou un service, appelez sans frais au 1-855-944-9571

19 Instructions de démarrage EZ

Reportez-vous à l'étiquette « EZ Start Instructions » et aux instructions de la section *Operations* lors du démarrage et de l'arrêt du générateur.

20 Symboles de sécurité

(Voir la page 4)



| | | | |
|--|--|--|-----------------|
| 13 | ⚠ DANGER | ⚠ PELIGRO | ⚠ DANGER |
| <p>Read User Manual before operating generator. Gasoline and LPG/Propane is highly flammable. Leaking gasoline or LPG can cause a fire or explosion if ignited. If you smell gasoline or propane while operating the unit, immediately shut OFF the fuel and/or propane valve. Keep gasoline container and propane tank away from exhaust.</p> | <p>Lea el manual del propietario antes de operar el generador con GLP / propano. GLP / propano es altamente inflamable. La fuga de gas LP puede causar un incendio o una explosión si se enciende. Si huele a propano mientras está operando la unidad, apague inmediatamente la válvula de propano. Mantenga el tanque de propano lejos del escape.</p> | <p>Lisez le manuel du propriétaire avant d'utiliser le générateur sur le propane. Le propane est hautement inflammable. Une fuite de gaz peut provoquer un incendie ou une explosion si elle s'allume. Si vous sentez le propane pendant que vous utilisez l'unité, fermez immédiatement la vanne de propane. Gardez le réservoir de propane à l'écart de l'échappement.</p> | |

| | |
|--|--|
| 16 | 17 |
| <p>MAINTAIN AIR CLEANER Rinse with cleansing solvent and dry once every 50 hours (every 10 hours if operating in dusty conditions) and then immerse in clean engine oil until saturated. Squeeze out excessive oil.</p> | <p>FUEL MANUAL: OFF ELECTRIC: ON</p> |
| <p>MANTENGA EL FILTRO DE AIRE Limpelo según las instrucciones en el manual del usuario y séquelo una vez cada 50 horas (o cada 10 horas en condiciones cuando haya mucho polvo) entonces sumérjalo en aceite de motor limpio hasta saturarse, expríma el aceite de sobra.</p> | <p>ENTRETIEN DU FILTRE À AIR Rincer avec un solvant nettoyant et faire sécher toutes les 50 heures (toutes les 10 heures en cas de conditions poussiéreuses), puis immerger dans de l'huile moteur propre jusqu'à saturation. Serrer pour enlever l'excédent d'huile.</p> |

FOR TECHNICAL ASSISTANCE or SERVICE CALL TOLL 1-855-944-3571

Para la ayuda técnica y servicio llamado
POUR SUPPORT TECHNIQUE OU SERVICE, APPELÉZ SANS FRAIS

3 YEAR LIMITED WARRANTY

EZ Start Instructions

| | | | | |
|--|--|--|--|------------------------------------|
| GASOLINE Inicio de gasolina Début de l'essence | PROPANE Inicio de propano Démarrage au propano | NATURAL GAS Inicio de gaz naturel Démarrage au gaz naturel | START Options de inicio Options de démarrage | STOP Arrêt de la machine |
|--|--|--|--|------------------------------------|

| | | | | |
|---|--|---|---|---|
| 20 | ⚠ DANGER | ⚠ PELIGRO | ⚠ DANGER | |
| <p>Failure to follow warnings, instructions and operator's manual will result in death or serious injury.</p> <p>could cause electrical shock in dry conditions.</p> <p>operate in rain or wet weather.</p> <p>transfer switch must be used when connecting to a building.</p> <p>Never fuel unit with engine running. Always fuel in well ventilated area. Always allow unit to cool before fueling.</p> | <p>Hot muffler and exhaust gases can cause fires. Keep at least 5ft. (1.5 m) clearance from any combustibles or structures, including overhead.</p> <p>Exhaust contains poisonous carbon monoxide gas that can cause unconsciousness or DEATH. Install Carbon Monoxide alarms inside home.</p> <p>For electrical equipment only: Failure to properly ground generator can result in electrocution.</p> | <p>No obedecer las advertencias e instrucciones y el manual del operador provocará lesiones graves o la muerte.</p> <p>El generador podría causar una descarga eléctrica.</p> <p>No opere en interiores para evitar condiciones de humedad.</p> <p>No opere en la lluvia ni en clima húmedo.</p> <p>No conecte al sistema eléctrico de una casa.</p> <p>Nunca cargue la unidad con el motor en marcha. Cargue siempre en un área bien ventilada. Siempre deje que la unidad se enfríe antes de cargar combustible.</p> <p>Sólo para equipos eléctricos. No conectar a tierra incorrectamente al generador puede provocar una electrocución.</p> | <p>Los gases calientes del escape podrían causar un incendio. Deje un espacio de al menos 1.5 m de cualquier combustible o estructura, incluyendo por encima.</p> <p>Los gases de escape contienen monóxido de carbono venenoso que puede causar pérdida del conocimiento o la MUERTE. Instale alarmas de monóxido de carbono dentro de su casa.</p> <p>Sólo para equipos eléctricos. No conectar a tierra incorrectamente al generador puede provocar una electrocución.</p> | <p>Les gaz d'échappement chauds peuvent provoquer des incendies. Gardez un écartement d'au moins 1.5 m de tout combustible ou structure, y compris les frais plafonds.</p> <p>Les gaz d'échappement contiennent du monoxyde de carbone gazeux toxique qui peut provoquer une perte de conscience ou la MORT. Installez des alarmes de monoxyde de carbone à l'intérieur de la maison.</p> <p>Né jamais jamais de carburant avec le moteur en marche. Faites toujours le plein dans un endroit bien ventilé. Laissez toujours l'appareil refroidir avant de faire le plein.</p> <p>Pour les équipements électriques uniquement. Une mauvaise mise à la terre du générateur peut entraîner une électrocution.</p> |

ÉLECTRIQUE

CAPACITÉ DU GÉNÉRATEUR

AVIS Ne surchargez pas la capacité du générateur. Le dépassement de la capacité en watts/ampérage du générateur peut endommager le générateur et/ou les appareils électriques qui y sont connectés.

Passez en revue les Caractéristiques de ce générateur et notez les watts de fonctionnement (continu) et de pointe (démarrage). En général, plus la puissance est élevée, plus plusieurs appareils peuvent être alimentés en même temps. La puissance totale requise de tous les appareils connectés doit être prise en compte. Les exigences d'alimentation sont souvent répertoriées sur l'étiquette de données ou la plaque signalétique d'un appareil.

Pour déterminer les besoins en alimentation :

- Choisissez les appareils que vous souhaitez alimenter simultanément.
- Enregistrez et totalisez la puissance électrique de fonctionnement (continu) de chaque appareil. Le générateur doit produire en continu cette quantité de puissance pour maintenir les appareils en marche.
- Enregistrez la puissance électrique de pointe (de départ) pour chaque appareil. Il s'agit de la surtension momentanée requise pour démarrer les moteurs électriques de certains outils et appareils.
- Sélectionnez l'appareil avec la puissance électrique de crête (démarrage) la plus élevée. Ajoutez la puissance de pointe (de démarrage) pour cet appareil au total des puissances électriques de fonctionnement (continu) de tous les appareils connectés pour déterminer la watts de pointe totale requise pour le générateur.

NOTE : L'exigence de la puissance électrique de pointe totale suppose un démarrage intermittent des appareils. Ajustez l'estimation si les appareils atteignent la puissance maximale en même temps.

GESTION DE LA PUISSANCE DU GÉNÉRATEUR

Pour prolonger la durée de vie du générateur, soyez prudent lors de l'ajout de charges électriques. Débranchez toutes les charges avant de démarrer le générateur. Le moyen le plus sûr de gérer l'alimentation du générateur consiste à ajouter des charges séquentiellement en procédant comme suit :

- Retirez toutes les charges et démarrez le générateur comme décrit plus loin dans ce manuel.
- Connectez et démarrez le plus grand dispositif ou appareil. Les exigences d'alimentation sont souvent répertoriées sur l'étiquette de données ou la plaque signalétique d'un appareil.
- Laisser la sortie du générateur se stabiliser. Une fois stable, le moteur doit tourner sans à-coups et l'appareil doit fonctionner correctement.
- Connectez et démarrez le prochain plus grand dispositif ou appareil.
- Laisser la sortie du générateur se stabiliser.
- Répétez ce processus pour chaque charge supplémentaire.

RALLONGES

AVERTISSEMENT Risque d'asphyxie. Les rallonges qui passent directement dans la maison augmentent le risque d'intoxication au monoxyde de carbone par toutes les ouvertures. Si une rallonge allant directement dans votre maison est utilisée pour alimenter des appareils d'intérieur, il existe un risque d'intoxication au monoxyde de carbone pour les personnes à l'intérieur de la maison. Utilisez toujours des détecteurs de monoxyde de carbone alimentés par batterie qui répondent aux normes de sécurité UL 2034 en vigueur lors du fonctionnement du générateur. Vérifiez régulièrement la pile du ou des détecteurs.

AVERTISSEMENT Risque d'asphyxie. Lors de l'utilisation du générateur avec des rallonges, assurez-vous que le générateur est situé dans une zone extérieure ouverte, loin des espaces occupés, avec l'échappement dirigé vers l'extérieur.

AVERTISSEMENT Risque d'incendie et d'électrocution. N'utilisez jamais de rallonges usées ou endommagées. Des rallonges électriques endommagées ou surchargées peuvent surchauffer, former un arc et brûler, entraînant la mort ou des blessures graves.

Avant de brancher un appareil CA ou un cordon d'alimentation au générateur :

- Utilisez des rallonges, des outils et des appareils électroménagers à 3 broches mis à la terre, ou des outils et appareils à double isolation.
- Assurez-vous que l'outil ou l'appareil est en bon état de fonctionnement. Des appareils ou des cordons d'alimentation défectueux peuvent créer un potentiel de choc électrique.
- Assurez-vous que la puissance électrique de l'outil ou de l'appareil ne dépasse pas la puissance nominale du générateur ou de la prise utilisée.

AVIS Ne dépassez pas la capacité de l'appareil. Une surcharge de la capacité en watts et/ou en intensité du générateur pourrait endommager les appareils connectés et les composants critiques du générateur.

DIMENSIONNEMENT DE LA RALLONGE

Assurez-vous que votre rallonge peut supporter la charge requise. Des câbles trop petits peuvent provoquer une chute de tension susceptible de provoquer une surchauffe du cordon ou des dommages matériels. Reportez-vous aux directives du fabricant du cordon pour connaître la taille et la longueur appropriées.

COMPOSANTS

COMPRENDRE VOTRE GÉNÉRATEUR

Voir les figures 6 et 7.

Pour réduire le risque de blessure et de défaillance du produit, lisez et comprenez les informations contenues dans ce manuel de l'utilisateur ainsi que les informations sur l'étiquetage du produit.

PRISES 120 VOLTS C.A., 20 AMPÈRES

Cet appareil possède deux prises monophasées de 60 Hz capables de transporter un maximum de 20 ampères.

PRISES CA 120/240 VOLTS (50 AMP)

Cette prise peut fournir du 120V ou du 240V jusqu'à 50 ampères.

PORT DE CHARGE DE LA BATTERIE

Utilisez le port de charge de la batterie avec le chargeur de batterie inclus pour charger la batterie.

INDICATEUR DE BATTERIE

Indique que la batterie est disponible. La lumière restera allumée pendant que la batterie est chargée.

INTERRUPTEUR DE BATTERIE

Active ou désactive le démarrage électrique. Le coupe-batterie doit être en position ON pour utiliser le démarrage à distance.

DISJONCTEURS (20 ET 30 AMPÈRES)

Les disjoncteurs protègent les circuits individuels contre la surcharge électrique.

NOTE : Le disjoncteur de 20 ampères limite le courant qui peut être livré via les réceptacles GFCI 5-20R à 20 ampères et le disjoncteur de 30 ampères limite le courant du réceptacle L14-30R à 30 ampères.

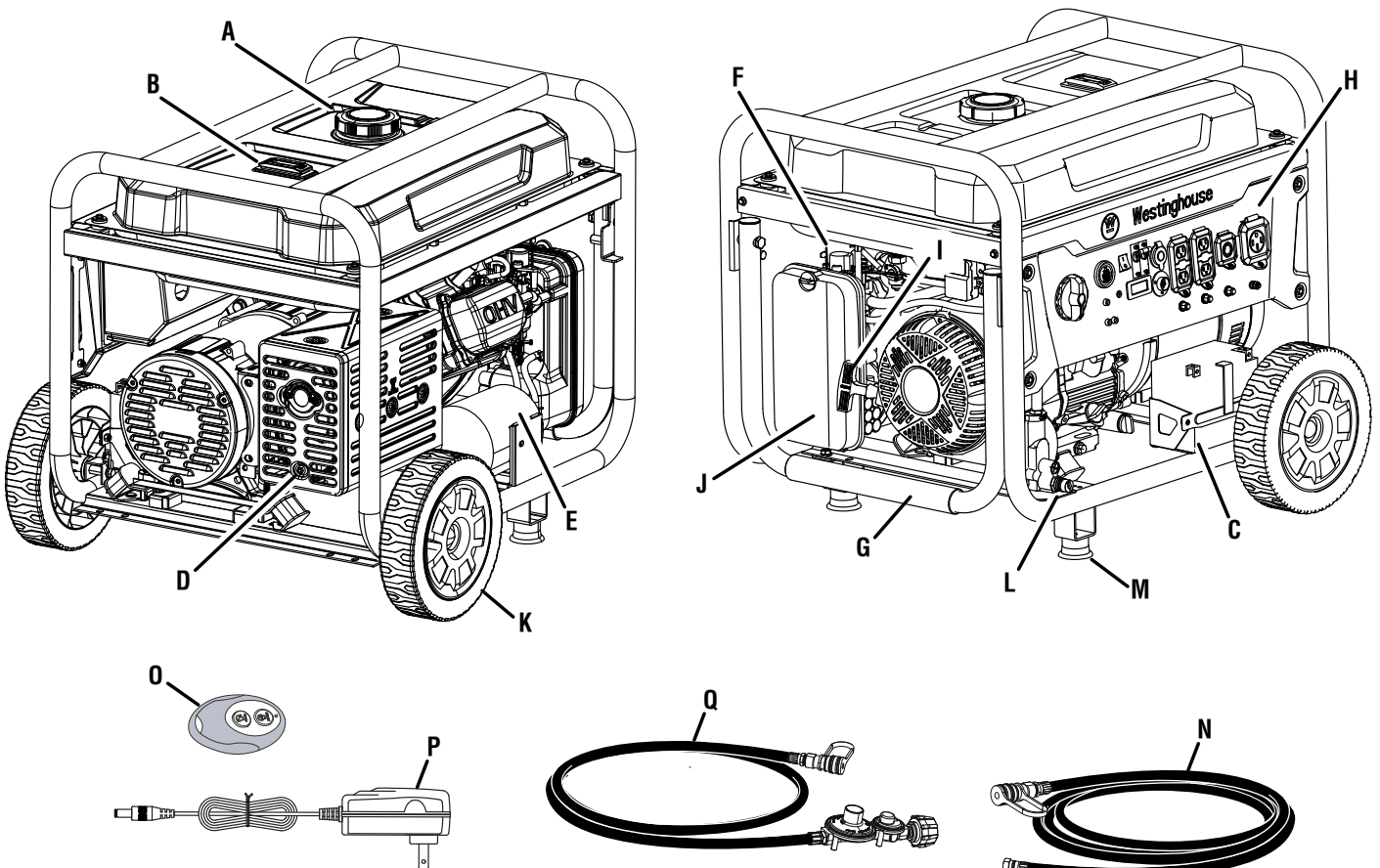
VOYANTS DU CAPTEUR DE CO

Le capteur de CO surveille l'accumulation de monoxyde de carbone toxique. Si des niveaux croissants de gaz CO sont détectés, le capteur de CO arrête automatiquement le moteur.

CENTRE DE DONNÉES

Affiche la tension, la fréquence, le compteur horaire total et la minuterie de fonctionnement/maintenance.

FIG. 6



- A - Bouchon de carburant
- B - Jauge de carburant
- C - Batterie
- D - Silencieux/pare-étincelles
- E - Cartouche de carbone
- F - Carburateur/d'étranglement

- G - Poignée
- H - Panneau de commande
- I - Poignée de recul
- J - Couvercle du filtre à air
- K - Roue
- L - Entrée de gaz naturel / propane

- M - Pied
- N - Tuyau de gaz naturel
- O - Porte-clés
- P - Chargeur
- Q - Tuyau GPL/propane

COMPOSANTS

BOUTON DE DÉMARRAGE/ARRÊT DU MOTEUR

Appuyez une fois pour démarrer automatiquement le moteur. Appuyez à nouveau pour arrêter le moteur.

SÉLECTEUR DE CARBURANT

Utilisez le sélecteur de carburant pour choisir une source de carburant à essence, propane ou gaz naturel.

RÉSERVOIR D'ESSENCE

Le générateur a un réservoir de carburant d'une capacité de 9,5 gallons.

NOTE : La jauge de carburant sur le dessus du réservoir indique le niveau de carburant approximatif.

BORNE MISE À LA TERRE

La borne mise à la terre est utilisée pour mettre à la terre extérieurement le générateur.

DISJONCTEUR PRINCIPAL

Le disjoncteur principal contrôle la sortie totale de toutes les prises pour protéger le générateur contre les surcharges ou les courts-circuits.

SILENCIEUX ET PARE-ÉTINCELLES

Le pare-étincelles empêche les étincelles de sortir du silencieux. Il doit être retiré pour l'entretien.

AVIS

Le pare-étincelles est un dispositif de sécurité qui empêche les étincelles de sortir du silencieux et de créer un risque d'incendie. Dans certains endroits, un pare-étincelles peut être requis par la loi. Il est de la responsabilité de l'opérateur de connaître et de respecter toutes les lois et réglementations locales relatives aux exigences de prévention des incendies.

JAUGE D'HUILE

Dévissez la jauge d'huile pour vérifier les niveaux d'huile et ajoutez de l'huile si nécessaire.

POIGNÉE DE REcul

Utilisez la poignée de recul (et commutateur de commande du moteur) pour démarrer le générateur.

TÉLÉCOMMANDE

Utilisez le télécommande pour démarrer le générateur à distance.

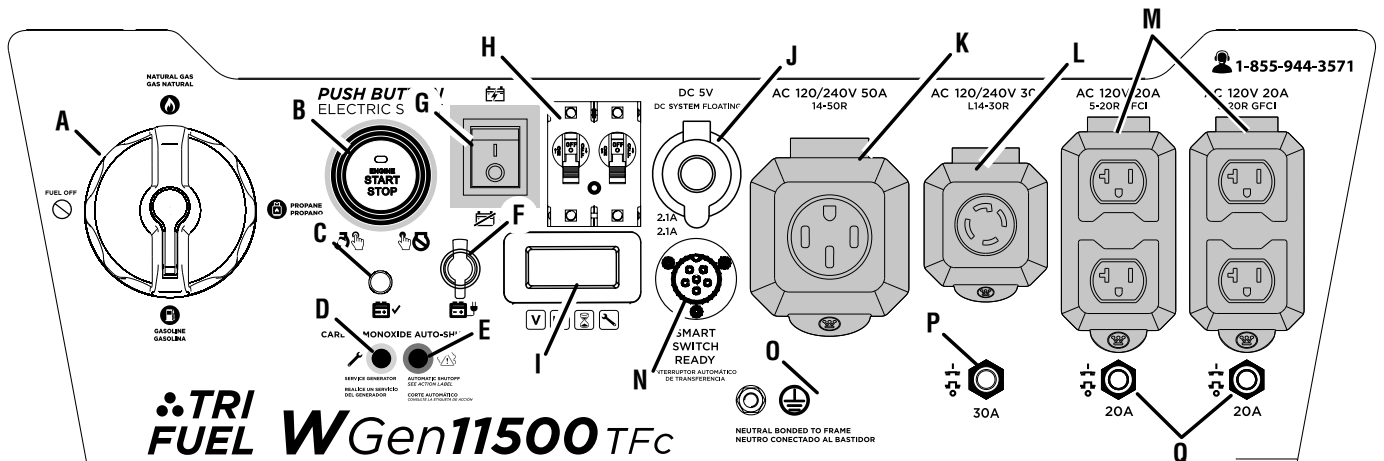
PRISE DE COURANT INTELLIGENTE

La prise de l'interrupteur intelligent vous permet de connecter un interrupteur Westinghouse ST (vendu séparément) au générateur.

PORTS USB

Prise USB à deux ports 5 V/2,1 A. Accepte les prises USB de type A.

FIG. 7



- | | | |
|--|-----------------------------------|---|
| A - Sélecteur de carburant | F - Port de charge de la batterie | L - Prise 120/240 V CA 30 A |
| B - Bouton de démarrage/arrêt du moteur | G - Interrupteur de batterie | M - Prises GFCI 120 Volts AC 20 Ampères |
| C - Indicateur de batterie | H - Disjoncteur principal | N - Prise de courant intelligente |
| D - DEL du générateur de service (service generator) | I - Centre de données | O - Borne de terre |
| E - DEL d'arrêt automatique (automatic shutoff) | J - Ports USB | P - Disjoncteur 30 A |
| | K - Prise 120/240 V CA 50 A | Q - Disjoncteur 20 A |

ASSEMBLAGE

AVERTISSEMENT Risque de poids. Ayez toujours de l'aide pour soulever le groupe électrogène. N'essayez jamais de soulever l'appareil par la poignée. Tenez l'appareil par le cadre et utilisez des techniques de levage appropriées pour réduire le risque de blessure au dos.

RETRAIT DU CONTENU DU CARTON

AVERTISSEMENT Ce produit nécessite un assemblage. N'essayez pas de faire fonctionner ce produit si des éléments de la **LISTE INCLUS** sont déjà assemblés lorsque vous retirez le contenu du carton. Ces articles ne sont pas assemblés par le fabricant et doivent être assemblés par le client. L'utilisation d'un produit mal assemblé peut être dangereuse et entraîner des blessures graves.

- Coupez soigneusement les côtés de l'emballage et retirez le contenu du carton.
- Inspectez le contenu du dessin animé. Vérifiez que tous les éléments de la **LISTE INCLUS** sont présents et en bon état.
- Recyclez ou éliminez correctement les matériaux d'emballage.

LISTE INCLUS

Voir la figure 8.

Générateur, roues, essieux, rondelles, goupilles d'attelage, boulons, pieds, télécommande, chargeur, tuyau à gaz au propane, tuyau de gaz naturel, huile moteur (SAE 10W 30), entonnoir, clé à douille pour bougie d'allumage, guide de démarrage rapide, manuel d'utilisation

Si des pièces manquent, contactez notre équipe de service à service@wpowereq.com ou appelez le 1-855-944-3571.

INSTALLATION DES PIEDS

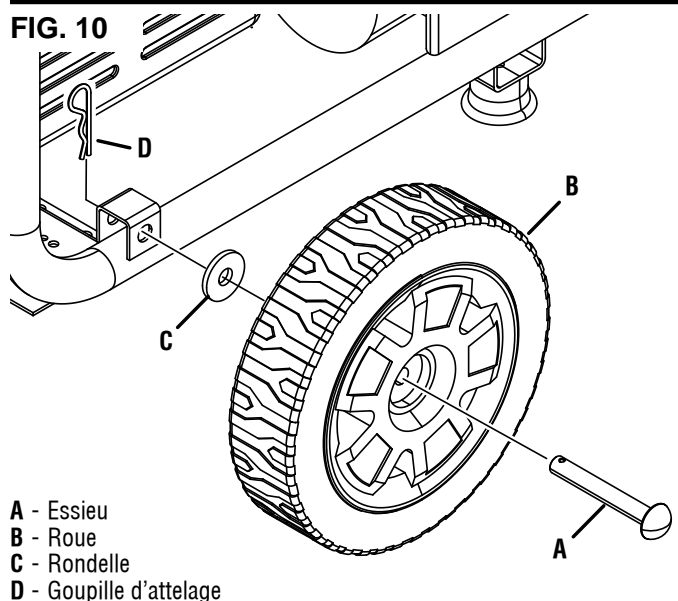
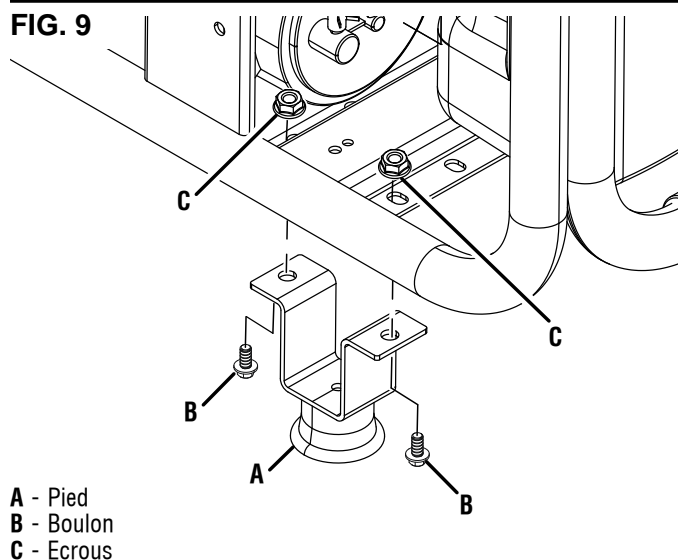
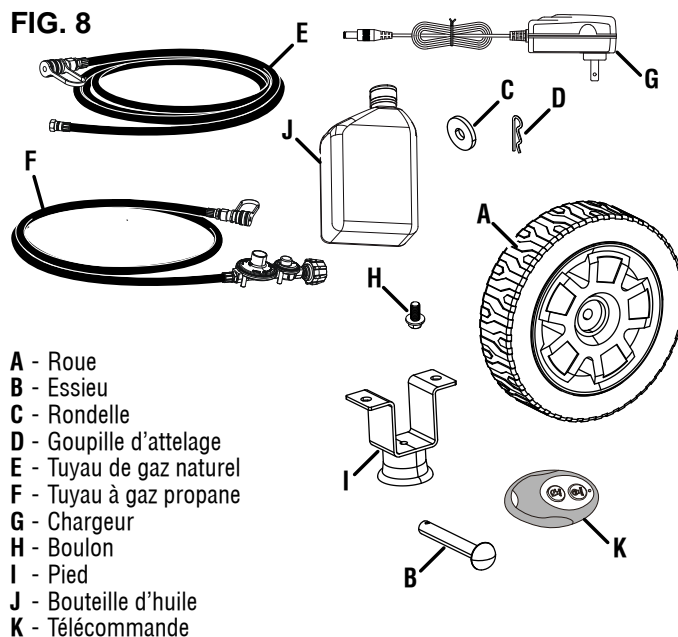
Voir la figure 9.

- Placer le générateur sur une surface plane.
- Soulevez le côté poignée du générateur assez haut pour accéder à la barre transversale au bas du cadre.
- Placer des accessoires sous la génératrice pour servir de support temporaire.
- Localiser les pieds et les écrous.
- Alignez les trous d'un pied avec les écrous de la barre transversale.
- Insérez les boulons dans les trous du pied et les écrous de la barre transversale.
- Bien serrer les boulons. **Ne pas trop serrer.**
- Répétez ces étapes pour installer le deuxième pied.

INSTALLATION DES ROUES

Voir la figure 10.

- Placer le générateur sur une surface plane.
- Soulevez le côté du panneau de commande de la génératrice assez haut pour accéder au bas du cadre.



ASSEMBLAGE

- Placer des accessoires sous la génératrice pour servir de support temporaire.
- Localiser les essieux, les roues, les rondelles et les goupilles d'attelage.
- Insérer un boulon au milieu d'une roue, d'une rondelle et du cadre comme indiqué.
- Pousser une goupille d'attelage dans l'essieu jusqu'à ce que le centre de la goupille repose contre le haut de l'essieu.
- Répéter ces étapes pour installer la deuxième roue.

CONNEXION DE LA BATTERIE

Voir la figure 11.

Un câble de batterie à connexion rapide est préinstallé sur la batterie. Retirez la traverse de câble fixant les bouchons, puis poussez fermement pour les connecter.

NOTE : Le générateur est équipé d'une fonction de charge de la batterie. Une fois le moteur en marche, une petite charge rechargera lentement la batterie.

LEVER ET BAISSER LA POIGNÉE

Voir la figure 12.

- Tenez-vous devant l'appareil, saisissez fermement la poignée et soulevez-la en position relevée.
- Avec la poignée en position relevée, le générateur peut être roulé en toute sécurité d'une position à une autre. Pour plus d'informations sur le transport de l'appareil dans un véhicule, reportez-vous à la section **Transport** dans *Fonctionnement*.
- Pour abaisser la poignée, guidez doucement la poignée vers la position basse.

⚠ PRÉCAUTION Risque de pincement. Ne placez pas votre main ou vos doigts entre la poignée et le châssis du générateur.

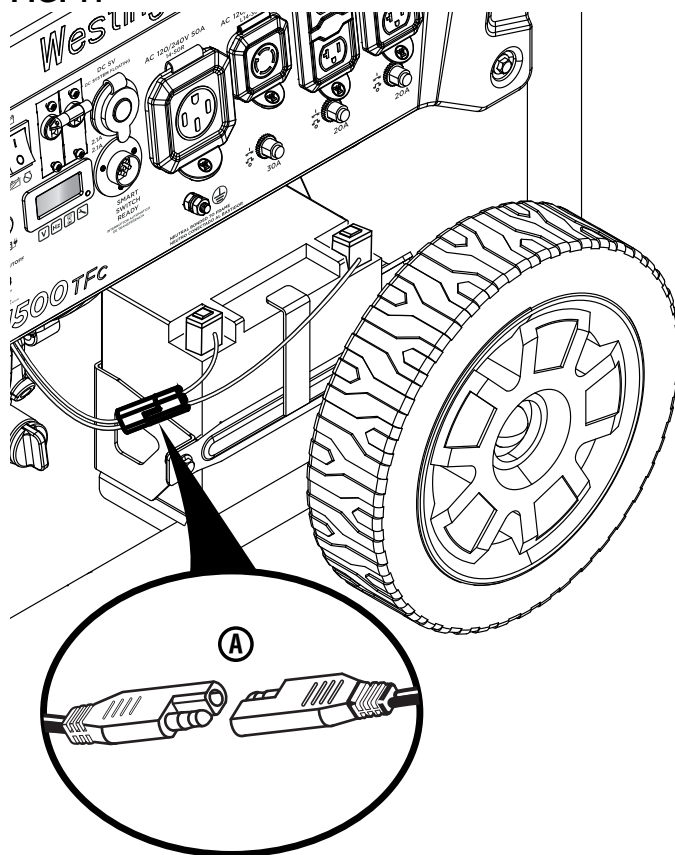
⚠ AVERTISSEMENT Ne pas altérer ou modifier ce produit à moins d'indication contraire dans ce manuel ou par le fabricant. N'utilisez pas de pièces jointes ou d'accessoires qui ne sont pas recommandés pour une utilisation avec ce produit. Toute modification non autorisée et l'utilisation d'accessoires incompatibles peuvent endommager l'appareil et annuler votre garantie.

APERÇU

Ce groupe électrogène portable peut alimenter une large gamme d'articles, notamment des appareils électroménagers, des outils de chantier, du matériel de camping, des accessoires de talonnage et bien plus encore.

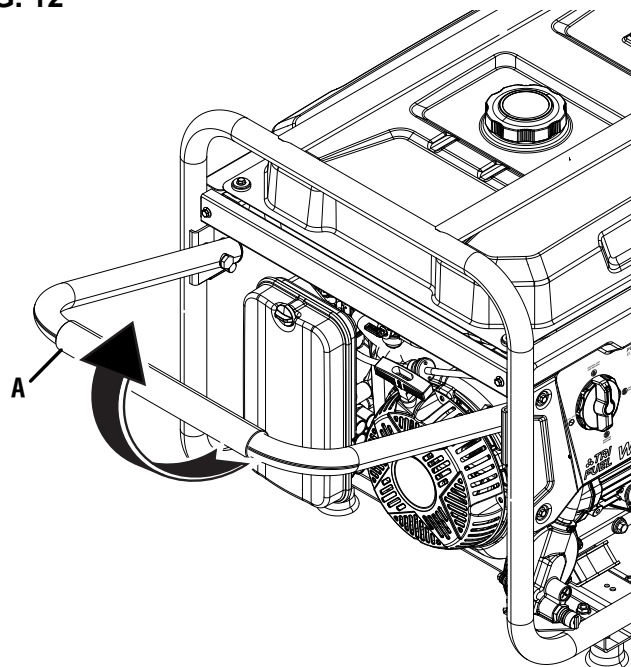
AVIS CE GÉNÉRATEUR A ÉTÉ EXPÉDIÉ SANS HUILE. N'essayez pas de lancer ou de démarrer le moteur avant qu'il n'ait été correctement entretenu avec l'huile recommandée. Ne pas ajouter d'huile moteur avant le démarrage entraînera de graves dommages au moteur qui ne sont pas couverts par la garantie.

FIG. 11



A - Câble de batterie à connexion rapide

FIG. 12



A - Poignée

FONCTIONNEMENT

⚠ DANGER L'échappement du générateur contient des niveaux élevés de monoxyde de carbone (CO), un gaz invisible, inodore et extrêmement toxique. Si vous sentez une odeur de gaz d'échappement, vous respirez du monoxyde de carbone. Mais, même si vous ne sentez pas les gaz d'échappement, vous inhalez peut-être du CO.

Faites fonctionner UNIQUEMENT les génératrices à l'extérieur, dans un endroit bien ventilé. NE JAMAIS faire fonctionner les génératrices à l'intérieur, cela PEUT VOUS TUER EN QUELQUES MINUTES.

• **Utilisation correcte** – N'utilisez les générateurs qu'à l'extérieur et sous le vent, loin des fenêtres, portes et événements. Dirigez toujours l'évacuation loin des espaces occupés. Installez toujours des détecteurs de monoxyde de carbone alimentés par batterie ou des détecteurs de monoxyde de carbone enfichables avec batterie de secours dans les zones résidentielles.

Voir la figure 1.

• **Utilisation incorrecte** – NE JAMAIS 'utilisez une génératrice dans votre maison, garage, sous-sol, grenier, vide sanitaire ou tout autre espace entièrement ou partiellement clos. Des zones comme celles-ci peuvent permettre l'accumulation de niveaux dangereux de monoxyde de carbone. Une porte ouverte ou un ventilateur en marche N'ASSURERA PAS une ventilation adéquate. **Voir la figure 2.**

Si vous commencez à vous sentir étourdi, faible ou malade pendant l'utilisation du générateur, sortez immédiatement à l'air frais. Contactez un médecin. Vous souffrez peut-être d'une intoxication au monoxyde de carbone.

⚠ AVERTISSEMENT Ne pas altérer ou modifier ce produit à moins d'indication contraire dans ce manuel ou par le fabricant. N'utilisez pas de pièces jointes ou d'accessoires qui ne sont pas recommandés pour une utilisation avec ce produit. Toute modification non autorisée et l'utilisation d'accessoires incompatibles peuvent endommager l'appareil et annuler votre garantie.

AVIS Dans certaines circonstances, le Code national de l'électricité peut exiger que le générateur soit raccordé à la terre. Consultez un électricien qualifié pour déterminer les exigences de mise à la terre avant l'utilisation.

⚠ AVERTISSEMENT Éviter tout contact de la peau avec l'huile moteur ou l'essence. Porter des vêtements et un équipement de protection. Laver toute la peau exposée avec de l'eau et du savon. Un contact prolongé de la peau avec de l'essence ou de l'huile moteur peut provoquer une grave irritation de la peau et d'autres effets indésirables.

AVIS Vérifiez l'état physique du produit avant chaque utilisation. Recherchez les boulons desserrés, les fuites de liquide et autres signes d'usure. Remplacez tous les éléments endommagés.

AVIS Assurez-vous que les roues et les pieds sont correctement installés avant d'ajouter du carburant ou de l'huile.

SAVOIR COMMENT LOCALISER ET FAIRE FONCTIONNER EN TOUTE SÉCURITÉ VOTRE GÉNÉRATEUR

⚠ DANGER Risque d'asphyxie. Placez le générateur dans un endroit bien aéré. NE PAS placer le générateur à proximité d'évents ou de prises d'air où les gaz d'échappement pourraient être aspirés dans des espaces occupés ou confinés. Tenez compte du vent et des courants d'air lors du positionnement du générateur.

⚠ AVERTISSEMENT Risque d'électrocution. N'utilisez jamais le générateur dans un endroit mouillé ou humide. N'exposez jamais le générateur à la pluie, à la neige, aux projections d'eau ou à l'eau stagnante pendant son utilisation. Protégez le générateur de toutes les conditions météorologiques dangereuses. L'humidité ou la glace peuvent provoquer un court-circuit ou un autre dysfonctionnement du circuit électrique. L'utilisation d'un générateur ou d'un appareil électrique dans des conditions humides, comme la pluie ou la neige, ou près d'une piscine ou d'un système d'arrosage, ou lorsque vos mains sont mouillées, peut entraîner une électrocution.

⚠ AVERTISSEMENT Risque d'incendie. N'utilisez le générateur que sur une surface solide et horizontale. L'utilisation du générateur sur une surface avec des matériaux meubles tels que du sable ou des rognures d'herbe peut provoquer l'ingestion de débris par le générateur qui pourrait bloquer les événements de refroidissement ou le système d'admission d'air. Laissez le générateur refroidir pendant 30 minutes avant de le transporter ou de le stocker.

- Lisez et comprenez toutes les consignes de sécurité avant de démarrer le groupe électrogène (*Voir la pages 4 à 12*).
- NE JAMAIS utilisez un générateur dans votre maison, garage, sous-sol, grenier, vide sanitaire ou tout autre espace entièrement ou partiellement clos. Des zones comme celles-ci peuvent permettre l'accumulation de niveaux dangereux de monoxyde de carbone. Le monoxyde de carbone (CO), un gaz invisible, inodore et extrêmement toxique PEUT VOUS TUER EN QUELQUES MINUTES.
- Ne faites pas fonctionner le générateur à l'arrière d'un SUV, d'une caravane, d'une remorque, d'un plateau de camion (normal, plat ou autre), sous des escaliers, à côté de murs ou de bâtiments, ou dans tout autre endroit qui ne permettra pas un refroidissement adéquat du générateur et/ou le silencieux. L'utilisation du générateur dans des zones fermées ou partiellement fermées permettra l'accumulation de niveaux dangereux de CO.
- NE CONTENEZ PAS les générateurs pendant le fonctionnement.

FONCTIONNEMENT

- Utilisez uniquement à l'EXTÉRIEUR et loin des fenêtres, des portes et des événements, comme recommandé par les centres de contrôle et de prévention des maladies du département américain de la santé et des services sociaux. Votre domicile spécifique et/ou les conditions de vent peuvent nécessiter une distance supplémentaire.
- Ne faites pas fonctionner le groupe électrogène sur une pente. L'appareil doit toujours être placé sur une surface plane et stable.
- Le générateur doit être sur une surface plane et nivellée en tout temps (même lorsqu'il n'est pas en marche).
- Le générateur doit avoir au moins 5 pieds (1,5 m) de dégagement de tout matériau combustible.

CONNAÎTRE LA RÈGLEMENTATION D'UTILISATION DES GÉNÉRATEURS PORTABLES

Prenez en compte le lieu et comment vous avez l'intention d'utiliser votre groupe électrogène et familiarisez-vous avec toutes les réglementations locales, nationales ou fédérales concernant l'utilisation prévue. Il peut être nécessaire de contacter un électricien qualifié ou une agence gouvernementale locale pour une liste complète des exigences.

AJOUTER DE L'HUILE/VÉRIFIER LE NIVEAU D'HUILE

Voir la figure 13.

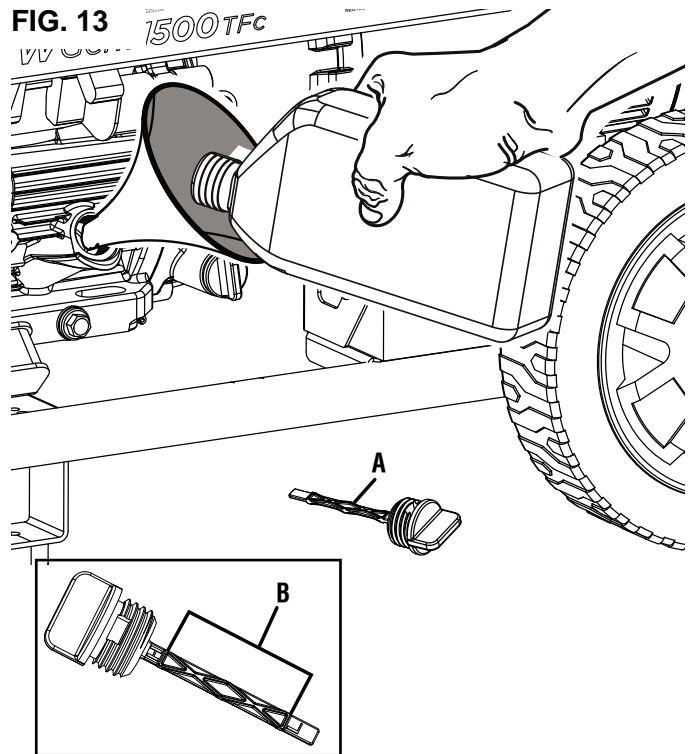
Si votre produit dispose d'un manuel du moteur séparé, ne tenez pas compte des informations contenues dans cette section et suivez les instructions du manuel du moteur.

AVIS CE GÉNÉRATEUR A ÉTÉ EXPÉDIÉ SANS HUILE. N'essayez pas de lancer ou de démarrer le moteur avant qu'il n'ait été correctement entretenu avec l'huile recommandée. Ne pas ajouter d'huile moteur avant le démarrage entraînera de graves dommages au moteur qui ne sont pas couverts par la garantie.

AVIS L'utilisation d'huile 2 temps/cycle ou d'autres types d'huile non approuvés peut causer de graves dommages au moteur qui ne sont pas couverts par la garantie.

Le type d'huile inclus et recommandé pour une utilisation typique est l'huile moteur 10W-30. Si vous faites fonctionner le générateur à des températures extrêmes, reportez-vous au tableau suivant.

| Type d'huile moteur recommandé | | | | | | | | |
|--------------------------------|-------------------|--------|------|-----|------|------|--------|------|
| | | 10W-30 | | | | | | |
| | 5W-30 | | | | | | 10W-40 | |
| | 5W-30 Synthétique | | | | | | | |
| °F | -20 | 0 | 20 | 40 | 60 | 80 | 100 | 120 |
| °C | -28.9 | -17.8 | -6.7 | 4.4 | 15.6 | 26.7 | 37.8 | 48.9 |
| Température ambiante | | | | | | | | |



A - Jauge d'huile
B - Plaque de fonctionnement sécuritaire

NOTE : Vérifiez le niveau d'huile moteur avant chaque utilisation ou toutes les 8 heures de fonctionnement.

- Éteignez le générateur et laissez le moteur refroidir pendant au moins cinq minutes.
- Placez le générateur sur une surface plane dans un endroit bien aéré.
- Nettoyez la zone autour de la jauge d'huile.

Pour le premier remplissage d'huile :

- Dévisser et retirer lentement la jauge d'huile.
- À l'aide de l'entonnoir, versez lentement toute la bouteille d'huile moteur fournie dans l'orifice de remplissage d'huile. Arrêtez-vous fréquemment pour vous assurer de ne pas trop remplir.

NOTE : Votre générateur a été testé fonctionnellement dans l'usine et peut contenir un minimum d'huile résiduelle. Un pétrole supplémentaire est nécessaire pour faire fonctionner l'unité. Ne pas trop remplir.

- Remplacer et serrer la jauge d'huile.

Pour vérifier le niveau d'huile :

- Dévisser et retirer lentement la jauge d'huile.
- Nettoyez la jauge et replacez-la dans l'orifice de remplissage d'huile. Ne pas visser la jauge.
- Retirez la jauge et vérifiez que le niveau d'huile se situe dans la plage de fonctionnement sécuritaire.
- Si le niveau d'huile est bas, ajouter progressivement l'huile moteur recommandée et revérifier jusqu'à ce que le niveau se situe dans la plage de fonctionnement sûre.
- Remplacer la jauge d'huile et serrer à la main.

FONCTIONNEMENT

EXIGENCES EN ESSENCE

AVIS Ne pas utiliser de carburant E15 ou E85 dans ce produit. Les dommages au moteur ou à l'équipement causés par du carburant périmé ou l'utilisation de carburants non approuvés (tels que les mélanges d'éthanol E15 ou E85) ne sont pas couverts par la garantie. N'utilisez que de l'essence sans plomb contenant jusqu'à 10 % d'éthanol.



- Utilisez TOUJOURS de l'essence PROPRE, FRAÎCHE et sans plomb (indice d'octane 87–93) dans cet appareil. N'utilisez JAMAIS d'essence VIEILLE, VICIÉ ou CONTAMINÉE.
- Jusqu'à 10 % d'éthanol (gasohol) est acceptable (le cas échéant ; un carburant sans éthanol est recommandé).
- NE PAS utiliser E85 ou E15.
- N'UTILISEZ PAS de mélange gazole.
- NE PAS modifier le moteur pour qu'il fonctionne avec des carburants alternatifs.

UTILISATION DU STABILISATEUR DE CARBURANT

L'ajout d'un stabilisateur de carburant (non inclus) prolonge la durée de vie utile du carburant et aide à prévenir la formation de dépôts qui peuvent obstruer le système de carburant. Suivez les instructions d'utilisation du fabricant.

Mélangez toujours la bonne quantité de stabilisateur de carburant à l'essence dans un bidon d'essence approuvé avant de faire le plein de la génératrice. Faites fonctionner le générateur pendant cinq minutes pour permettre au stabilisateur de traiter l'ensemble du système de carburant.

AJOUTER DE L'ESSENCE

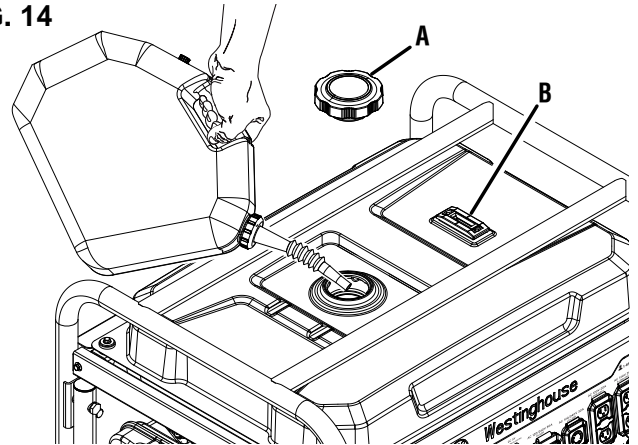
Voir les figures 14 et 15.

⚠ DANGER Risque d'incendie et d'explosion. Ne retirez jamais le bouchon du réservoir et ne faites jamais le plein du groupe électrogène pendant que le moteur tourne. Ne fumez pas et ne créez pas d'étincelles pendant le ravitaillement. Coupez toujours le moteur et laissez le générateur refroidir pendant au moins cinq minutes avant de faire le plein.

⚠ DANGER Risque d'incendie et d'explosion. Ne remplissez pas trop le réservoir de carburant. Remplissez uniquement jusqu'à l'anneau de remplissage maximum rouge sur le filtre à carburant. Un remplissage excessif peut provoquer un déversement de carburant sur le moteur, provoquant un risque d'incendie ou d'explosion.

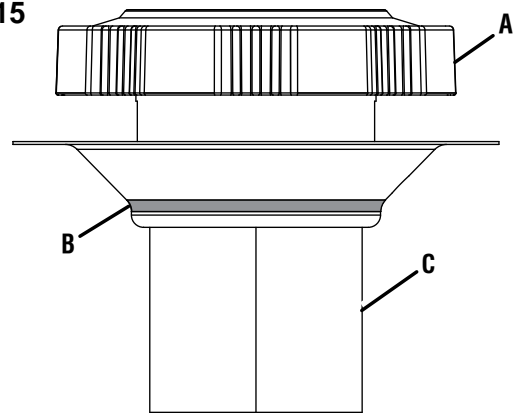
⚠ AVERTISSEMENT Ne jamais utiliser un bidon d'essence, un réservoir d'essence ou tout autre élément de carburant cassé, coupé, déchiré ou endommagé.

FIG. 14



A - Bouchon de carburant
B - Jauge de carburant

FIG. 15



A - Bouchon de carburant
B - Ligne de remplissage maximum
C - Filtre d'écran

AVIS Remplissez le réservoir uniquement à partir d'un bidon d'essence approuvé. Assurez-vous que l'intérieur du bidon d'essence est propre et en bon état pour éviter la contamination du système d'alimentation.

- Éteignez la génératrice et laissez le moteur refroidir pendant au moins cinq minutes.
- Placez le générateur sur une surface plane dans un endroit bien aéré. **NE PAS faire le plein à l'intérieur.**
- Nettoyez la zone autour du bouchon de carburant et retirez lentement le bouchon.
- Ajoutez lentement le carburant recommandé. Ne pas trop remplir.

NOTE : Le niveau d'essence ne doit PAS être supérieur à l'anneau de remplissage maximum rouge sur l'écran de carburant.

NOTE : La jauge de carburant sur le dessus du réservoir indique le niveau de carburant approximatif.

- Installez le capuchon de carburant. Serrez en toute sécurité.
- Nettoyez tout carburant renversé.
- Déplacez-vous au moins 30 pieds de la zone de ravitaillement avant de redémarrer le moteur.

FONCTIONNEMENT

AVIS Le carburant peut endommager la peinture et le plastique. Soyez prudent lorsque vous remplissez le réservoir de carburant. Les dommages causés par du carburant renversé ne sont pas couverts par la garantie.

AVIS Nettoyez le filtre à tamis à carburant des débris avant et après chaque ravitaillement. Retirez le filtre à tamis à carburant en le comprimant légèrement tout en le retirant du réservoir de carburant.

EXIGENCES DE LA BOUTEILLE DE GPL

AVIS Les cylindres de propane qui utilisent un système de retrait liquide ne peuvent pas être utilisés sur ces modèles.

Le GPL est extrêmement inflammable et peut s'enflammer spontanément lorsqu'il est mélangé à l'air. La bouteille de GPL utilisée avec ce générateur doit répondre aux exigences suivantes :

- La bouteille doit être fabriquée et étiquetée conformément aux *Specifications for LP Gas Cylinders* of the U.S. Department of Transportation (D.O.T.) ou à la National Standard of Canada, CAN/CSA-B339, *Cylinders, Spheres, and Tubes for Transportation of Dangerous Goods; and Commission*.
- La bouteille doit être munie d'une soupape de sûreté.
- La bouteille doit inclure un dispositif de protection contre les débordements (OPD) homologué UL. Les vérins dotés de cette fonction de sécurité auront un volant triangulaire unique. N'utilisez que des bouteilles de GPL avec ce type de volant.
- La bouteille doit être périodiquement certifiée pour être utilisée par l'autorité compétente locale (AHJ). Avant utilisation, vérifiez que la date de certification sur le cylindre n'a pas expiré.
- Toutes les nouvelles bouteilles doivent être purgées de l'air et de l'humidité avant le remplissage. Les bouteilles usagées qui n'ont pas été bouchées ou maintenues fermées doivent également être purgées. Le processus de purge doit être effectué par un fournisseur de propane (les bouteilles d'un fournisseur d'échange doivent avoir été purgées et remplies correctement).



RACCORDEMENT D'UNE BOUTEILLE DE GPL AU GÉNÉRATEUR

Voir les figures 16 à 18.

⚠ DANGER Risque d'incendie et d'explosion. Ne jamais brancher ou débrancher le tuyau GPL/propane pendant que le moteur tourne. Ne fumez pas et ne créez pas d'étincelles lors de la manipulation de GPL/propane. Arrêtez toujours le moteur et laissez le générateur refroidir pendant au moins cinq minutes avant de brancher la bouteille de propane.

FIG. 16

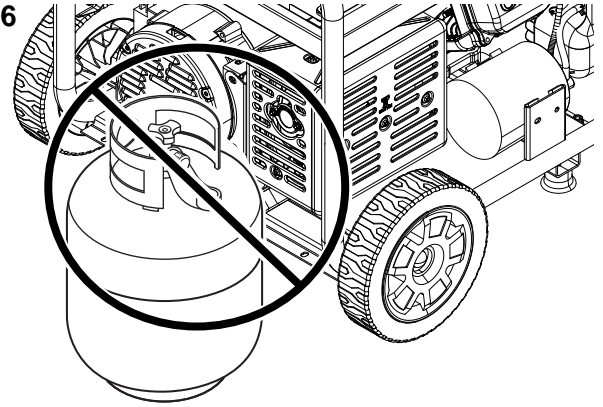
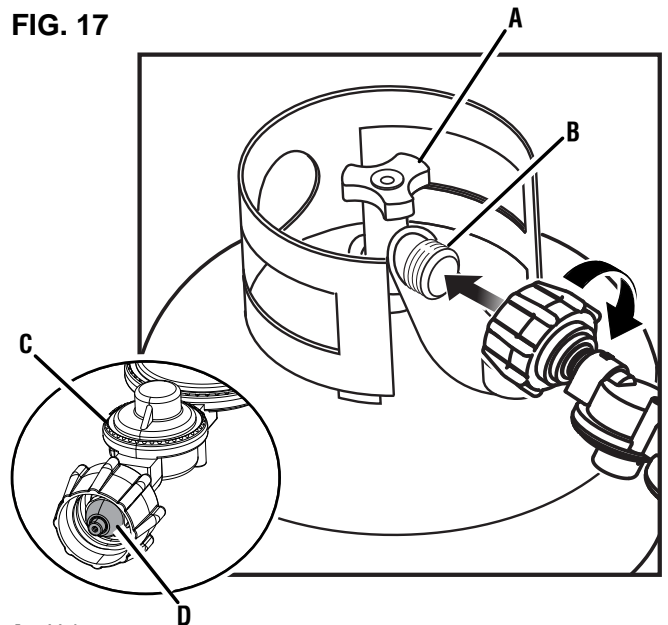


FIG. 17



- A - Volant
- B - Soupape de cylindre
- C - Tuyau GPL/propane
- D - Teton

⚠ AVERTISSEMENT N'utilisez jamais un réservoir de gaz, un tuyau de GPL/propane, une bouteille de propane ou tout autre élément de carburant qui semble être endommagé.

⚠ AVERTISSEMENT Pour réduire le risque de blessure, effectuez un test de fuite à chaque fois que la bouteille de GPL est débranchée et rebranchée.

- Éteignez le générateur et laissez le moteur refroidir pendant au moins cinq minutes.
- Placez le générateur sur une surface niveau dans une zone bien ventilée. **NE connectez PAS ou ne déconnectez pas le cylindre de gaz LP à l'intérieur.**
- Placez le cylindre à gaz LP près du générateur, mais **ne le placez pas sur le chemin de l'échappement de silencieux.**
NOTE : Le cylindre de propane peut être de n'importe quelle capacité, mais il doit être conforme aux exigences de cylindre de gaz LP énumérées plus tôt dans cette section.
- Vérifiez que le volant est en position d'arrêt complet.

FONCTIONNEMENT

- Tenez fermement le tuyau de GPL/propane et poussez le teton dans le robinet de la bouteille.

- Utilisez votre main pour enfiler le tuyau de GPL/propane sur le robinet de la bouteille. **Ne croisez pas le fil. Ne pas utiliser d'outils ou de produits d'étanchéité.**

NOTE : Vous sentirez une certaine résistance lorsque le flexible se scelle dans le robinet de la bouteille. Pour terminer la connexion, tournez le connecteur d'un demi à trois quarts de tour supplémentaire. Si vous ne parvenez pas à terminer la connexion, débranchez le tuyau et réessayez. Si vous ne parvenez toujours pas à terminer la connexion, N'UTILISEZ PAS ce tuyau !

- Connectez le tuyau de GPL/propane au générateur à l'aide du collier de connexion rapide.
 - Tirez le collier de connexion rapide vers l'arrière.
 - Poussez le tuyau sur l'entrée de gaz naturel/propane.
 - Poussez le collier vers l'avant afin que le tuyau soit correctement fixé. Tirez doucement sur le tuyau pour voir qu'il est bien fixé.

GÉNÉRATEUR DE CONNEXION À LA LIGNE D'ALIMENTATION EN GAZ NATUREL

Voir les figures 18 et 19.

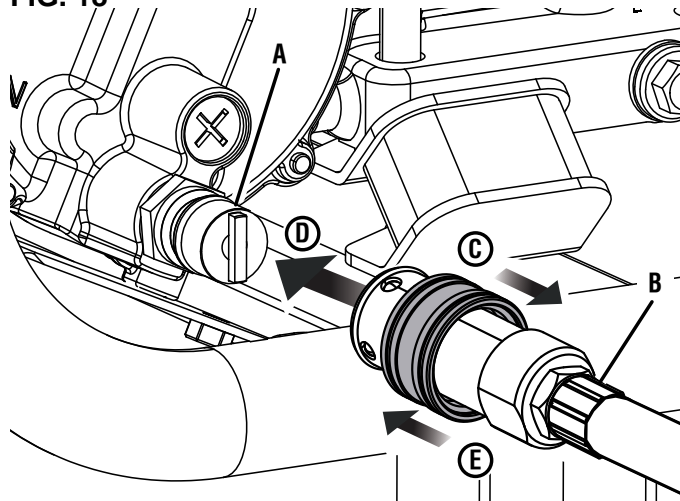
⚠ DANGER Risque d'incendie et d'explosion. Ne jamais brancher ou débrancher le tuyau de gaz naturel pendant que le moteur tourne. Ne fumez pas et ne créez pas d'étincelles lors de la manipulation du gaz naturel. Éteignez toujours le moteur et laissez le générateur refroidir pendant au moins cinq minutes avant de le brancher au gaz naturel.

⚠ AVERTISSEMENT Ne jamais utiliser une conduite d'alimentation en gaz naturel, un tuyau de gaz naturel ou tout autre élément de carburant qui semble être endommagé.

⚠ AVERTISSEMENT Pour réduire le risque de blessure, effectuez un test de fuite chaque fois que le tuyau de gaz naturel est débranché et rebranché.

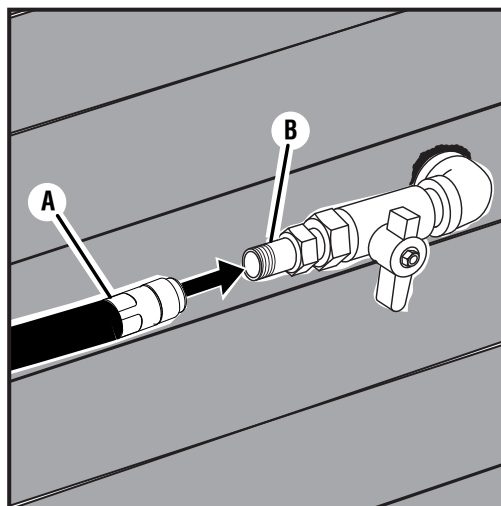
- Éteignez la génératrice et laissez le moteur refroidir pendant au moins cinq minutes.
- Vérifiez que le gaz est fermé au niveau de la conduite d'alimentation en gaz naturel.
- Déroulez complètement et redressez le tuyau de gaz naturel pour éviter les plis.
- Utilisez votre main pour enfiler le tuyau jusqu'à la conduite d'alimentation en gaz naturel. **Ne croisez pas le fil. Ne pas utiliser d'outils ou de produits d'étanchéité.**

FIG. 18



- A - Entrée de gaz naturel/propane
- B - Tuyau de gaz naturel ou tuyau de GPL/propane
- C - Tirez le col vers l'arrière
- D - Pousser le tuyau sur l'entrée
- E - Pousser le collier vers l'avant

FIG. 19



- A - Tuyau de gaz naturel
- B - Conduite d'alimentation en gaz naturel

- Connectez le tuyau de gaz naturel au générateur à l'aide du collier de connexion rapide.
 - Tirez le collier de connexion rapide vers l'arrière.
 - Poussez le tuyau sur l'entrée de gaz naturel/propane.
 - Poussez le collier vers l'avant afin que le tuyau soit correctement fixé. Tirez doucement sur le tuyau pour voir qu'il est bien fixé.

FONCTIONNEMENT

SÉLECTION DE LA SOURCE DE CARBURANT


Voir les figures 20 et 21.

⚠ DANGER Risque d'incendie et d'explosion. NE PAS ajoutez d'essence dans le réservoir de carburant ou ne raccordez pas le tuyau de GPL/propane ou le tuyau de gaz naturel au générateur pendant que le générateur est en marche.


AVIS Ne surchargez pas le générateur. Les capacités de charge diffèrent selon la source de carburant. Avant de changer de source de carburant, assurez-vous que le générateur peut fournir suffisamment de watts de fonctionnement (continu) et de pointe (démarrage) pour les éléments connectés.

La source de carburant peut être commutée pendant que le moteur est éteint ou pendant qu'il fonctionne si un réservoir de propane ou une conduite d'alimentation en gaz naturel est connecté au générateur AVANT le fonctionnement. Si vous passez de l'essence à une autre source de carburant pendant que le moteur est en cours d'exécution, il peut être rugueux pendant quelques secondes car il purge l'essence du carburateur.


Pour passer à l'essence :

- Tournez le robinet de carburant en position ouverte pour démarrer le débit d'essence.
- Tournez le sélecteur de carburant sur **ESSENCE** .
- Coupez le débit de gaz naturel ou de propane.

Pour passer au propane :

- Ouvrez le robinet de la bouteille de gaz propane pour démarrer le débit de propane.
- Tournez le sélecteur de carburant sur **PROPANE** .
- Coupez le débit de gaz naturel et d'essence.

Pour passer au gaz naturel :

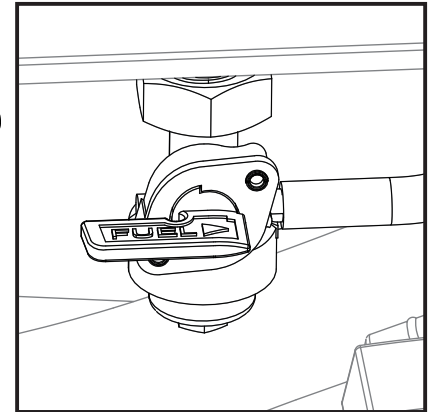
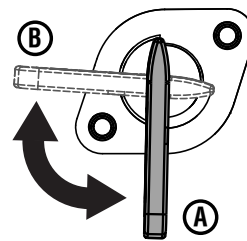
- Ouvrez la vanne sur la conduite d'alimentation en gaz naturel pour démarrer le débit de gaz naturel.
- Tournez le sélecteur de carburant sur **GAZ NATUREL** .
- Coupez le débit de propane et d'essence.

FONCTIONNEMENT À HAUTE ALTITUDE

La puissance du moteur est réduite au fur et à mesure que vous situez au-dessus du niveau de la mer. La sortie sera réduite d'environ de 3,5 % pour chaque tranche de 1000 pieds (305 mètres) d'augmentation d'altitude par rapport au niveau de la mer.

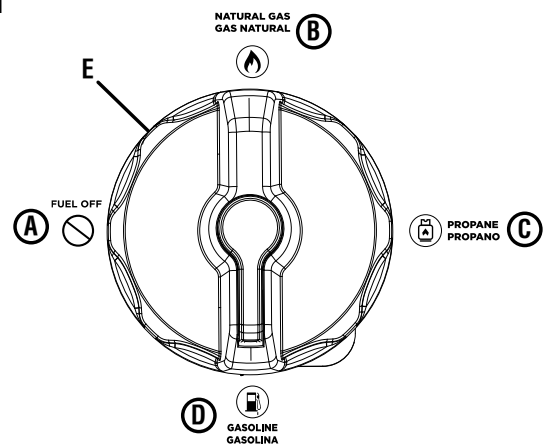
Un réglage haute altitude est nécessaire pour un fonctionnement à des altitudes supérieures à 5 000 pieds (1 524 m). Un





FIG. 20



- A - Robinet de carburant (ouvert)
- B - Robinet de carburant (fermée)

FIG. 21



- A - Arrêt du carburant 
- B - Gaz naturel 
- C - Propane 
- D - Essence 
- E - Sélecteur de carburant

fonctionnement sans ce réglage entraînera une diminution des performances, une augmentation de la consommation de carburant et une augmentation des émissions.

AVIS NE PAS faire fonctionner le générateur à des altitudes inférieures à 2 000 pieds (762 m) avec le kit haute altitude installé. Des dommages au moteur peuvent survenir.

Kit de carburateur
haute altitude

Numéro d'article 518563

FONCTIONNEMENT

CENTRE DE DONNÉES

Voir la figure 22.

Appuyez sur le bouton de mode pour faire défiler les modes d'affichage des données.

Tension : Affiche la tension actuelle de sortie.

Fréquence (Hz) : Affiche la fréquence de sortie de puissance en Hertz.

Heures de durée de vie : Affiche les heures de fonctionnement de la durée de vie.

Niveau de carburant : Indique la quantité d'essence restant dans le réservoir de carburant.

Durée de fonctionnement/maintenance : Affiche la durée de fonctionnement actuelle. Remise à zéro à l'arrêt. Rappel de maintenance affiché si nécessaire.

Codes d'entretien :

P25 – Changer l'huile moteur

P50 – Nettoyer le filtre à air, changer l'huile moteur

P100 – Changer l'huile moteur, nettoyer le filtre à air, remplacer le filtre à carburant

APPAIRAGE DE LA TÉLÉCOMMANDE

Voir les figures 23 et 24.

- Apportez le fob clé dans la gamme du générateur.
- Assurez-vous que la batterie est connectée et que le sélecteur de carburant est en position **ARRÊT DU CARBURANT**.
- Poussez le coupe-batterie en position ON.

NOTE : Lorsque la batterie est disponible, le témoin de la batterie s'allume et la DEL autour du bouton de démarrage/d'arrêt du moteur s'allume en vert fixe.

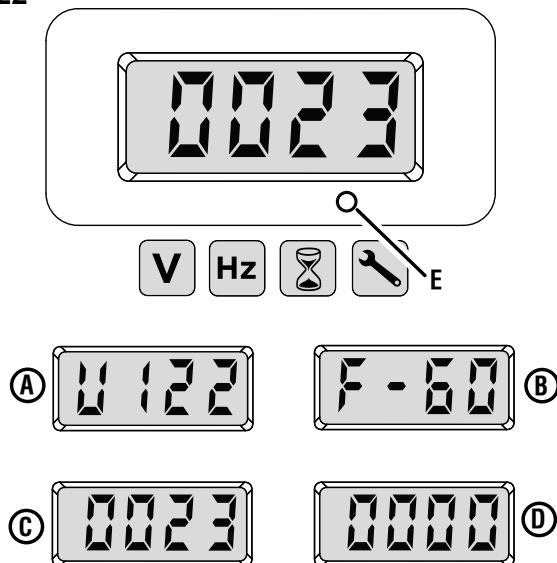
- Appuyez sur le bouton de démarrage/arrêt du moteur et maintenez-le enfoncé pendant 10 secondes jusqu'à ce que la LED autour du bouton clignote en vert, puis relâchez-le.
- Appuyez sur le bouton de démarrage du télécommande et maintenez-le enfoncé pendant une seconde, puis relâchez-le.
 - Si le télécommande est apparié avec succès, le voyant autour du bouton de démarrage/arrêt du moteur s'allumera en vert fixe.
 - Si l'appairage a échoué, la LED autour du bouton de démarrage/arrêt du moteur continuera à clignoter en vert. Attendez quelques secondes, puis faites une deuxième tentative. Si la deuxième tentative échoue, tournez le coupe-batterie en position OFF, attendez quelques secondes et répétez le processus. Si les tentatives suivantes échouent, mettez le coupe-batterie en position OFF et contactez le service client.
- Une fois que le télécommande est apparié avec succès au générateur, mettez le commutateur de batterie en position OFF.

PÉRIODE DE RODAGE

Pour un bon rodage, ne dépassez pas 50% des watts de fonctionnement nominaux pendant les cinq premières heures de fonctionnement.

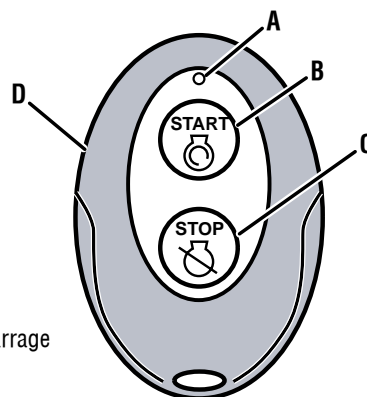
Utilisez l'huile fournie jusqu'au premier changement d'huile recommandé. Ne pas utiliser d'huile entièrement synthétique

FIG. 22



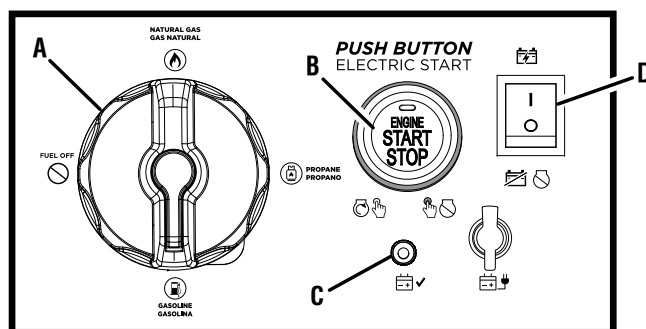
- A - Tension
- B - Fréquence
- C - Temps de fonctionnement restant
- D - Rappel de durée de fonctionnement/maintenance
- E - Bouton mode

FIG. 23



- A - DEL rouge
- B - Bouton de démarrage
- C - Bouton d'arrêt
- D - Télécommande

FIG. 24



- A - Sélecteur de carburant
- B - Bouton de démarrage/arrêt du moteur
- C - Indicateur de batterie
- D - Interrupteur de batterie

pendant la période de rodage. Une huile entièrement synthétique peut empêcher une rupture et une assise correctes des segments de piston.

FONCTIONNEMENT

Varié la charge de temps en temps pour permettre aux enroulements du stator de chauffer et de refroidir et aider à asseoir les segments de piston.

AVANT DE DÉMARRER LE GÉNÉRATEUR

Vérifier que:




- Le groupe électrogène est placé dans un endroit sûr et approprié.
- Le générateur est sur une surface sèche, plane et de niveau.
- Les niveaux d'huile et de carburant se situent dans la plage de fonctionnement sécuritaire.
- Toutes les charges sont déconnectées des prises du panneau de commande.



Risque d'incendie et d'explosion.
NE PAS déplacer ou incliner le générateur pendant le fonctionnement.

DÉMARRAGE DU GÉNÉRATEUR

Voir le Figures 24 à 27.

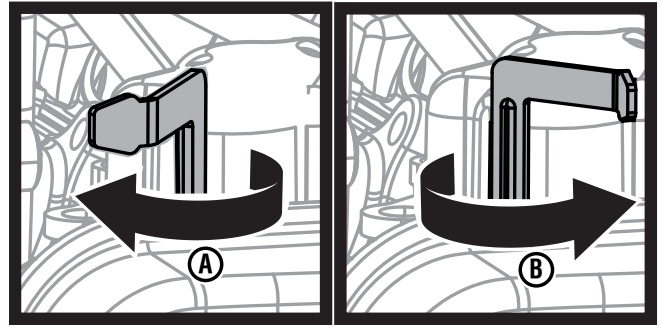
- Placez le générateur dans un endroit sûr et approprié.
- Débranchez toutes les charges.
- Vérifiez les niveaux d'huile et de carburant. Si nécessaire, ajoutez du pétrole, remplissez le cylindre à gaz LP, ajoutez de l'essence ou contactez votre entreprise de services publics de gaz naturel.
- À l'aide du sélecteur de carburant, sélectionnez **Essence** , **Propane** , ou le **Gaz naturel** .
- Commencez le débit du carburant souhaité et arrêtez le débit des autres sources de carburant.
 - Pour l'essence, ouvrez la soupape de carburant et désactivez l'écoulement du gaz naturel ou propane.
 - Pour le propane, ouvrez la soupape de cylindre sur le cylindre à gaz LP et éteignez l'écoulement du gaz naturel et de l'essence.
 - Pour le gaz naturel, ouvrez la valve sur la conduite d'alimentation en gaz naturel et éteignez l'écoulement du gaz propane et de l'essence.
- Poussez le coupe-batterie en position ON.

NOTE: Lorsque la batterie est disponible, le voyant de la batterie et la LED verte autour du bouton Démarrer / arrêt du moteur s'allumeront.

Pour démarrer le générateur à l'aide de la poignée de recul :

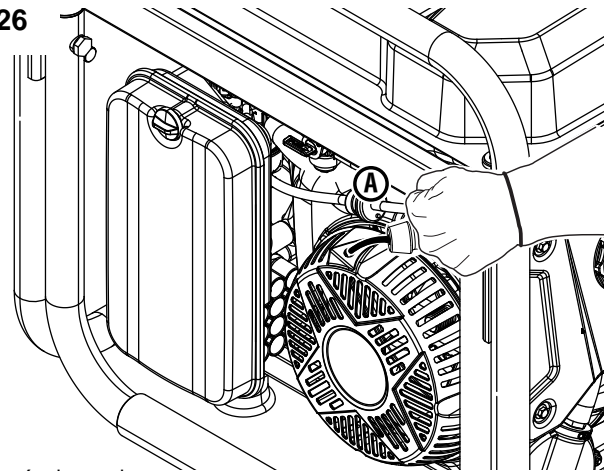
- Déplacez le starter en position marche/démarrage à froid.
NOTE : Si le moteur est chaud, déplacez le starter vers la position marche/démarrage à chaud (environ 2/3 du chemin).
- Saisissez fermement et tirez lentement la poignée de recul jusqu'à ce que vous sentiez une résistance accrue. À ce stade, éloignez rapidement la poignée de recul du générateur jusqu'à ce que le moteur démarre.
NOTE : Remettez doucement la poignée de recul en place après avoir démarré l'appareil. Ne le laissez pas revenir en arrière contre l'unité. Lors du démarrage initial, des tractions supplémentaires peuvent être nécessaires pour amorcer la pompe à carburant.

FIG. 25



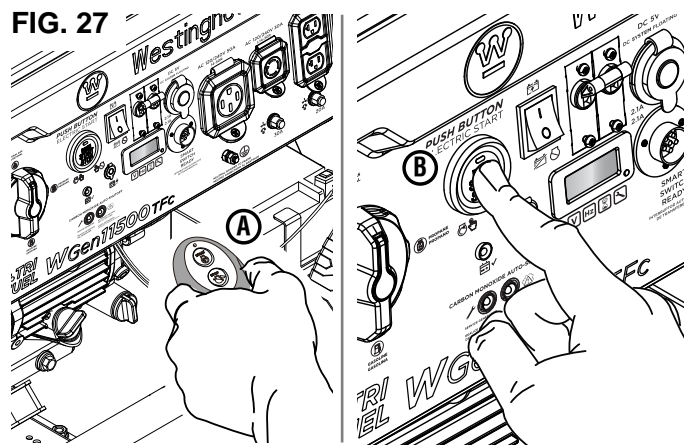
A - Étranglement (marche/démarrage à chaud)
B - Étranglement (arrêt/démarrage à froid)

FIG. 26



A - Poignée de recul

FIG. 27



A - Télécommande
B - Bouton de démarrage/arrêt du moteur

- Après le démarrage du moteur, placez le starter en position d'arrêt/démarrage à chaud.

Pour démarrer le générateur à l'aide de la fonction de démarrage à distance :

- Appuyez sur le bouton de démarrage du télécommande et maintenez-le enfoncé pendant deux secondes.

NOTE : Le voyant rouge du télécommande doit clignoter chaque fois que vous appuyez sur le bouton de démarrage. Si la LED rouge ne clignote pas et que le générateur ne

FONCTIONNEMENT

démarré pas, la batterie du télécommande peut devoir être remplacée. Si la LED rouge clignote mais que le générateur ne démarre pas, la batterie du générateur peut avoir besoin d'être rechargée. Démarrez l'appareil à l'aide de la poignée de recul. La batterie du générateur se chargera pendant que l'unité fonctionne.

Pour démarrer le générateur à l'aide du bouton de démarrage/arrêt du moteur :

- Appuyez sur le bouton START/STOP du moteur et maintenez-le enfoncé pendant deux secondes.

NOTE : Si le bouton START/STOP du moteur ne démarre pas la génératrice, la batterie de la génératrice peut avoir besoin d'être rechargée. Démarrez l'appareil à l'aide de la poignée de recul. La batterie du générateur se chargera pendant que l'unité fonctionne.

Pour ajouter des charges après le démarrage du générateur :

- Lorsque la sortie du générateur se stabilise, vous pouvez connecter en toute sécurité les charges aux prises du panneau de commande.

NOTE : Vérifiez que tous les appareils sont éteints avant de les connecter au générateur.

NOTE : Assurez-vous que les exigences de puissance pour tous les appareils connectés correspondent aux capacités de votre générateur.

- Connectez et démarrez le plus grand appareil ou appareil.
- Laisser la sortie du générateur se stabiliser. Une fois stable, le moteur doit fonctionner correctement et l'appareil doit fonctionner correctement.
- Connectez et démarrez l'appareil ou l'appareil le plus gros suivant.
- Laisser la sortie du générateur se stabiliser.
- Répétez ce processus pour chaque charge supplémentaire.

ARRÊT DU GÉNÉRATEUR

Voir les Figures 24 et 27.

- Retirez toutes les charges connectées des prises du panneau de commande.
- Laisser le générateur fonctionner à « sans charge » pendant plusieurs minutes pour réduire et stabiliser les températures du moteur et de l'alternateur.
- Appuyez et maintenez le bouton de démarrage/arrêt du moteur ou le bouton d'arrêt sur le porte-clés pendant une seconde pour arrêter le générateur.
- Éteignez l'interrupteur de la batterie.
- Tournez le sélecteur de carburant en position de **ARRÊT DU CARBURANT** ☹.
- Arrêtez le débit de carburant.
 - Pour l'essence, fermez la soupape de carburant.
 - Pour le propane, fermez la soupape de cylindre sur le cylindre à gaz LP.
 - Pour le gaz naturel, fermez la valve sur la conduite d'alimentation en gaz naturel.
- Débranchez le tuyau de propane de la bouteille de GPL et de la génératrice ou débranchez le tuyau de gaz naturel de la conduite d'alimentation en gaz naturel et de la génératrice.

Pour arrêter rapidement l'unité en cas d'urgence :

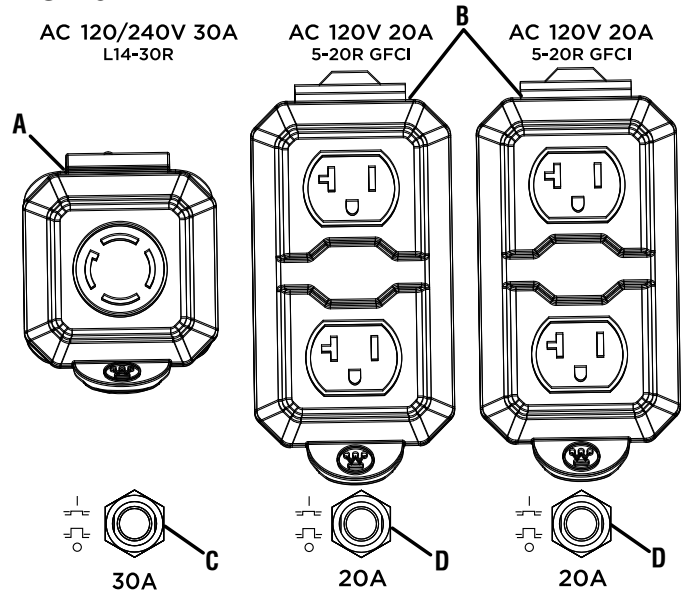
- Appuyez et maintenez le bouton de démarrage/arrêt du moteur ou le bouton d'arrêt sur le porte-clés pendant une seconde pour arrêter le générateur.

DISJONCTEURS

Voir les Figures 28 et 29.

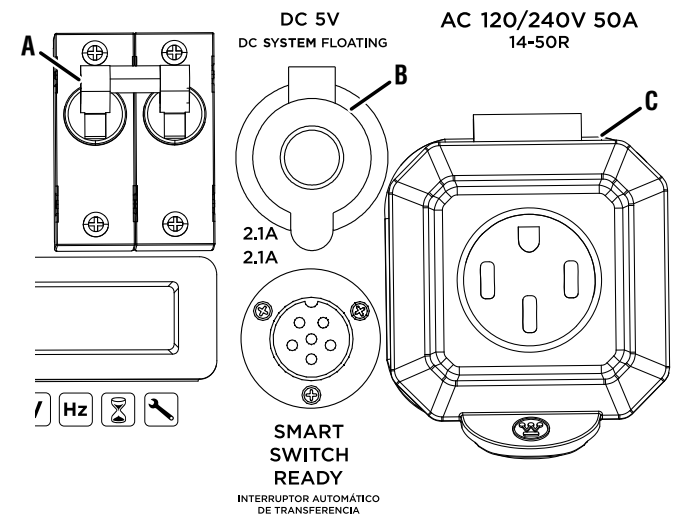
Le disjoncteur de 20 ampères protège les appareils et équipements connectés à la prise 120 V contre les surcharges électriques. Le disjoncteur de 30 ampères protège les appareils et équipements connectés aux prises 120 V, 30 ampères. Le disjoncteur principal s'éteindra automatiquement si la charge combinée des prises dépasse la capacité du générateur. Si

FIG. 28



- A - Prise 120/240 V CA 30 A
- B - Prises GFCI 120 Volts AC 20 Ampères
- C - Disjoncteur 30 A
- D - Disjoncteur 20 A

FIG. 29



- A - Disjoncteur principal
- B - Ports USB
- C - Prise 120/240 V CA 50 A

FONCTIONNEMENT

un disjoncteur s'active, éteignez l'appareil connecté, retirez-le du port ou de la prise et réinitialisez le disjoncteur.

PORTS USB

Voir la figure 29.

Utilisez les ports USB et les câbles USB (non inclus) pour charger des appareils compatibles USB tels que des téléphones, des tablettes et des haut-parleurs (jusqu'à 2,1 A).

NOTE : Les ports USB sont conçus pour le chargement uniquement et n'ont pas de capacité de transfert de données ou de communication.

TRANSPORT

- Éteignez le générateur.
- Laissez refroidir le groupe électrogène pendant au moins 30 minutes avant de le transporter.

- Remplacez tous les couvercles de protection sur le panneau de commande du générateur.
- Utilisez toujours le cadre de la génératrice, et non la poignée, pour soulever l'unité ou attacher des dispositifs de retenue de charge tels que des cordes ou des sangles d'arrimage. N'essayez PAS de soulever ou de fixer le groupe électrogène en tenant l'un de ses autres composants.
- Maintenez l'appareil à niveau pendant le transport afin de minimiser les risques de fuite de carburant ou, si possible, vidangez le carburant ou faites tourner le moteur jusqu'à ce que le réservoir de carburant soit vide avant le transport.

⚠ PRÉCAUTION Risque d'incendie. NE PAS renverser le générateur ni le placer sur le côté. Le carburant ou l'huile peuvent fuir et endommager le générateur.

ENTRETIEN ET MAINTENANCE

⚠ AVERTISSEMENT Démarrage accidentel. Débranchez la gaine de la bougie (voir figure 33) de la bougie lors de l'entretien de la génératrice.

⚠ AVERTISSEMENT Remplacez les articles endommagés ou usés par des pièces de rechange recommandées ou équivalentes. L'utilisation d'une pièce incorrecte ou incompatible peut créer un danger pouvant entraîner des blessures graves.

⚠ AVERTISSEMENT Laissez les composants chauds refroidir pendant 30 minutes avant d'effectuer toute procédure de maintenance.

⚠ AVERTISSEMENT Éviter tout contact de la peau avec l'huile moteur ou l'essence. Porter des vêtements et un équipement de protection. Laver toute la peau exposée avec de l'eau et du savon. Un contact prolongé de la peau avec de l'essence ou de l'huile moteur peut provoquer une grave irritation de la peau et d'autres effets indésirables.

AVIS Vérifiez l'état physique du produit avant chaque utilisation. Recherchez les boulons desserrés, les fuites de liquide et autres signes d'usure. Remplacez tous les éléments endommagés. Pour des pièces de rechange ou de l'assistance, contactez notre service client.

Pour prolonger la durée de vie de ce produit, suivez les instructions d'entretien et de maintenance de cette section. Contactez le service client avant d'intervenir sur tout rappel ou pièce sous garantie.

NETTOYAGE DU GÉNÉRATEUR

Ne pas stocker et ne faites pas fonctionner votre groupe électrogène dans des environnements sales, poussiéreux ou corrosifs. Ne laissez pas de corps étrangers et de débris obstruer les événements de l'appareil.

NE JAMAIS nettoyer le générateur avec un tuyau d'arrosage. L'eau peut endommager le système de carburant et les composants électriques du générateur. Si l'appareil doit être nettoyé, utilisez une brosse douce et un chiffon humide pour nettoyer l'extérieur et utilisez de l'air à basse pression (pas plus de 25 psi) pour nettoyer les événements.

N'utilisez jamais d'essence comme agent de nettoyage.

ENTRETIEN ET MAINTENANCE

NETTOYAGE/REPLACEMENT DU FILTRE À AIR

Voir la Figure 30.

Gardez le filtre à air propre. Un filtre à air sale peut entraîner de mauvaises performances et réduire la durée de vie du produit. **NE JAMAIS faire fonctionner le générateur sans filtre à air en place.**

- Éteignez le générateur et laissez le moteur refroidir pendant 30 minutes.
- Tourner le bouton dans le sens antihoraire et retirez le couvercle.
- Retirez le filtre à air du boîtier du filtre à air et placez-le dans un récipient de nettoyage approprié. **Remplacez le filtre à air s'il est endommagé.**

NOTE : Le filtre à air peut être recouvert d'huile. Utilisez un contenant approprié.

- Lavez le filtre à air en l'immergeant dans une solution de savon détergent de ménage et d'eau tiède. Pressez lentement le filtre pour bien le nettoyer.

AVIS

NE PAS tordre ou déchirer le filtre à air pendant le nettoyage ou le séchage. N'appliquez qu'une action de compression lente mais ferme.

- Rincez le filtre à air en le plongeant dans de l'eau douce et en exerçant une pression lente. Laissez le filtre sécher complètement.

AVIS

Ne polluez pas. Suivez les directives de l'EPA ou d'autres agences gouvernementales pour l'élimination appropriée des matières dangereuses. Consulter les autorités locales ou l'installation de récupération.

- Trempez le filtre à air dans de l'huile moteur propre, puis essorez tout excès d'huile. Le moteur fume au démarrage s'il reste trop d'huile dans le filtre.
- Installez le filtre à air dans le boîtier du filtre à air et réinstallez le couvercle du filtre à air.

VIDANGE DE L'HUILE MOTEUR

Voir les figures 31 et 32.

Pour des performances optimales, changez l'huile moteur selon les chiffres spécifiés dans le **programme d'entretien** ou le manuel du moteur (le cas échéant). Lorsque vous utilisez le groupe électrogène dans des conditions extrêmes, sales, poussiéreuses ou par temps extrêmement chaud, changez l'huile plus fréquemment.

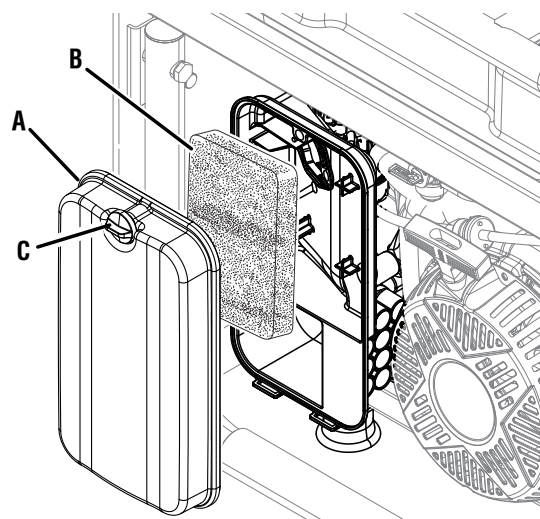
NOTE : Vidanger l'huile lorsque le moteur est chaud mais pas brûlant. L'huile moteur chaude s'écoule plus rapidement et plus complètement que le lubrifiant froid. Le contact avec le lubrifiant chaud causera de graves brûlures.

- Éteignez le générateur et laissez le moteur refroidir pendant 30 minutes.
- Placez le générateur sur une surface plane dans un endroit bien aéré.

Pour changer l'huile moteur :

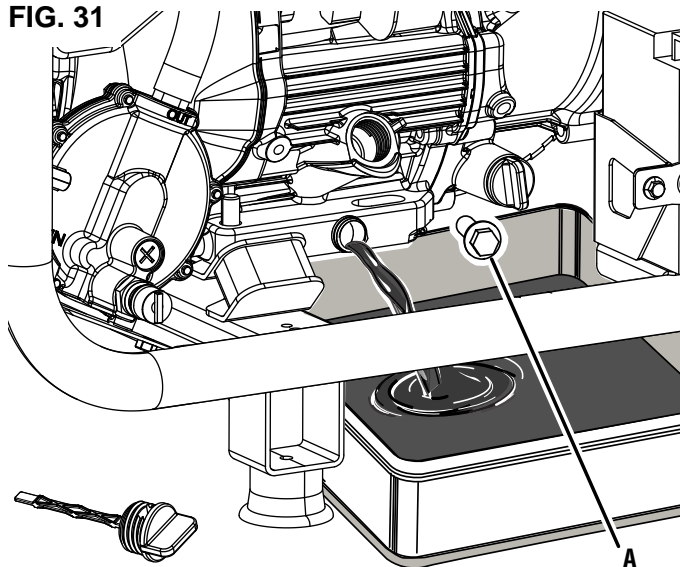
- Nettoyez la zone autour de la jauge d'huile.
- Dévisser et retirer lentement la jauge d'huile.

FIG. 30



- A - Couvercle du filtre à air
- B - Filtre à air
- C - Loquets

FIG. 31



- A - Boulon de vidange d'huile

- Placez un bac à huile (ou un récipient approprié) sous le bouchon de vidange d'huile.
- Retirez le bouchon de vidange d'huile et laissez l'huile s'écouler.
- Une fois l'huile complètement vidangée, remplacez le bouchon de vidange d'huile.
- Remplir d'huile comme décrit dans la section *Opérations*.
- Remplacer la jauge d'huile et serrer à la main.
- Nettoyez toute huile renversée.

Pour nettoyer le filtre à huile :

- Nettoyez la zone autour du filtre à huile.
- Dévisser et retirer lentement le filtre à huile.
- Lavez le filtre à huile avec de l'eau chaude savonneuse, puis rincez et séchez.
- Remplacer le filtre à huile et serrer à la main.
- Nettoyez toute huile renversée.

ENTRETIEN ET MAINTENANCE

NETTOYAGE/REPLACEMENT DE LA BOUGIE D'ALLUMAGE

Voir la Figure 33.

AVIS Utilisez TOUJOURS la bougie d'allumage Westinghouse OEM ou compatible sans résistance. L'utilisation d'une bougie d'allumage de type résistance peut entraîner un ralenti irrégulier, des ratés d'allumage ou empêcher le moteur de démarrer.

Assurez-vous que l'étincelle est propre et correctement écartée. Pour nettoyer ou remplacer votre bougie :

- Éteignez le générateur et laissez le moteur refroidir pendant 30 minutes.
- Placez le générateur sur une surface plane dans un endroit bien aéré.
- Retirez le couvercle de la bougie en tirant fermement le soufflet directement loin du moteur.
- Nettoyez la zone autour de la bougie.
- Retirez la bougie d'allumage à l'aide de la clé à douille fournie.

AVIS NE jamais appliquez de charge latérale ou ne déplacez jamais la bougie d'allumage latéralement lors du retrait de la bougie d'allumage.

- Inspectez la bougie d'allumage. Remplacez si les électrodes sont piquées, brûlées ou si l'isolant est fissuré. Utilisez uniquement une prise de rechange recommandée.
- Mesurer l'écartement des électrodes de la bougie avec une jauge d'épaisseur à fil. Si nécessaire, corrigez l'écart en pliant soigneusement l'électrode latérale.

Écartement des bougies : 0,024 à 0,032 po (0,60 à 0,80 mm)

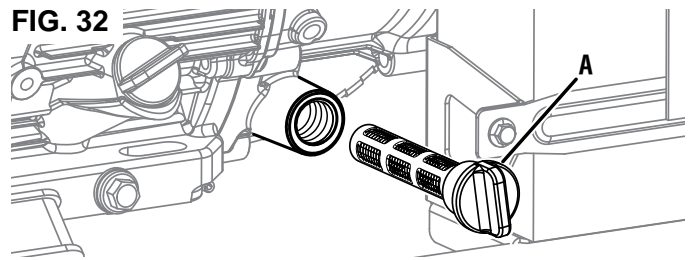
- Installez soigneusement la bougie d'allumage en la serrant à la main, puis serrez de 3/8 à 1/2 tour supplémentaire avec la clé à bougie.
- Installez le couvercle de la bougie.

NETTOYAGE DU PARE-ÉTINCELLES

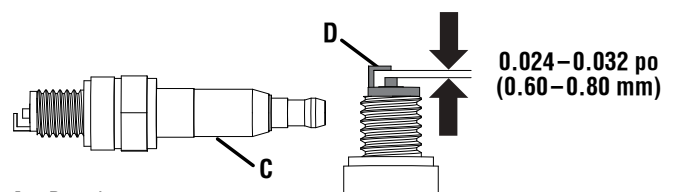
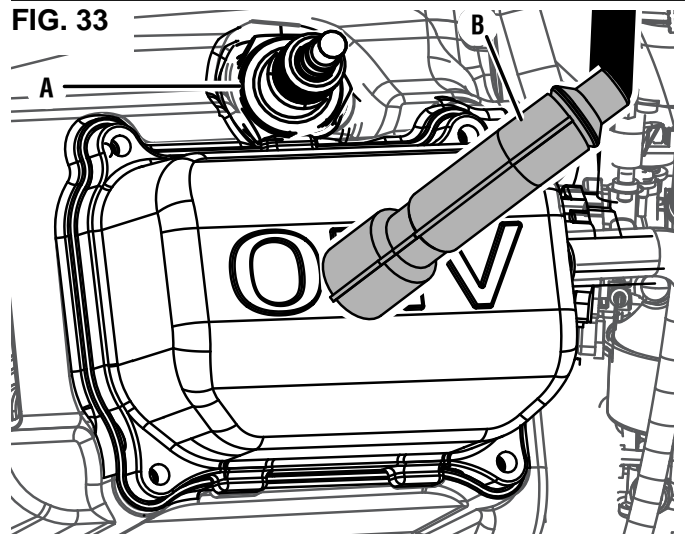
Voir la figure 34.

Vérifiez et nettoyez le pare-étincelles selon les chiffres spécifiés dans le **Programme d'entretien** ou le manuel du moteur (le cas échéant). Le non-nettoyage du pare-étincelles entraînera une dégradation des performances du moteur.

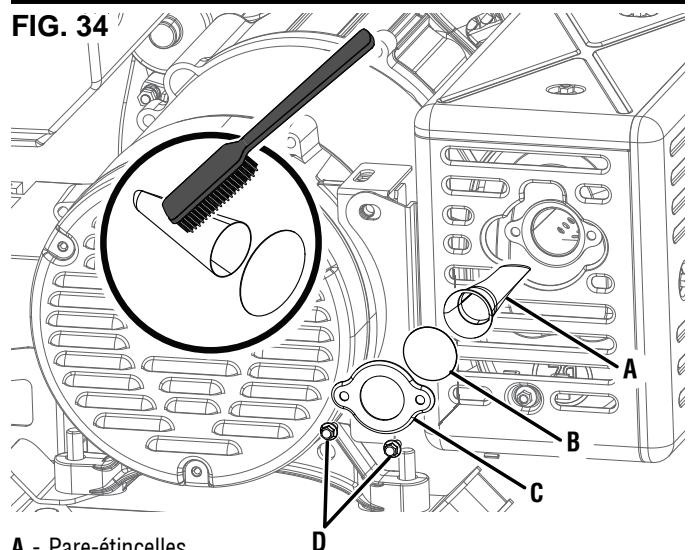
- Éteignez le générateur et laissez le moteur refroidir pendant 30 minutes.
- Placez le générateur sur une surface plane dans un endroit bien aéré.
- Retirez les deux vis fixant le support du pare-étincelles.
- Retirez le support, l'écran et le pare-étincelles du générateur.
- Nettoyez délicatement l'écran et le pare-étincelles à l'aide d'une brosse métallique.
- Réinstallez le pare-étincelles, l'écran et le support. Bien serrer les vis.



A - Filtre à huile



A - Bougie
B - Couvercle de bougie
C - Isolateur
D - Électrode



A - Pare-étincelles
B - Écran
C - Support
D - Vis

ENTRETIEN ET MAINTENANCE

VIDANGE DU RÉSERVOIR DE CARBURANT ET DU BOL À FLOTTEUR DU CARBURATEUR

Voir les figures 35 et 36.




AVERTISSEMENT

TOUJOURS entreposer l'essence dans un contenant approuvé pour l'essence. Les contenants non approuvés peuvent se briser ou se détériorer, ce qui permet à l'essence ou aux vapeurs d'essence de s'échapper, ce qui peut créer un grave danger.


Même un carburant correctement stabilisé peut laisser des résidus et provoquer de la corrosion s'il est laissé à long terme. Si vous stockez le générateur pendant deux à six mois, vidangez la cuve du flotteur pour éviter l'accumulation de gomme et de vernis dans le carburateur. Si vous entreposez le groupe électrogène pendant plus de six mois, vidangez le réservoir de carburant pour éviter la séparation du carburant, la détérioration et les dépôts dans le système de carburant.

- Éteignez le générateur et laissez le moteur refroidir pendant 30 minutes.
- Placez le générateur sur une surface plane dans un endroit bien aéré.
- Débranchez le tuyau de propane de la bouteille de GPL et du générateur ou débranchez le tuyau de gaz naturel de la conduite d'alimentation en gaz naturel et du générateur.

Pour vidanger le bol à flotteur :

- Tourner le sélecteur de carburant sur **ARRÊT DU CARBURANT**  et fermez le robinet de carburant.
- Placez un tuyau de vidange (non inclus) au fond de la cuve du flotteur du carburateur, comme illustré.
- Placez l'extrémité inférieure du tuyau de vidange (non inclus) dans un bidon d'essence approuvé pour récupérer le carburant vidangé.
- Desserrez la vis de vidange de la cuve du flotteur et laissez le carburant s'écouler. Serrez la vis de vidange de la cuve du flotteur.
- Retirez le tuyau de vidange (non inclus).

Pour faire fonctionner le bol à flotteur à sec :

- Tournez le sélecteur de carburant sur **ESSENCE**  et démarrez le générateur comme décrit précédemment.
- Après le démarrage du moteur, fermez le robinet de carburant.
- Laissez le générateur fonctionner jusqu'à ce que le carburant dans le carburateur soit épuisé et que le moteur s'arrête.

Pour vidanger le réservoir de carburant :

AVIS

Pour éviter d'endommager l'appareil, vidangez l'huile moteur avant de vider le réservoir de carburant. Voir **Vidange de l'huile** moteur pour plus de détails.


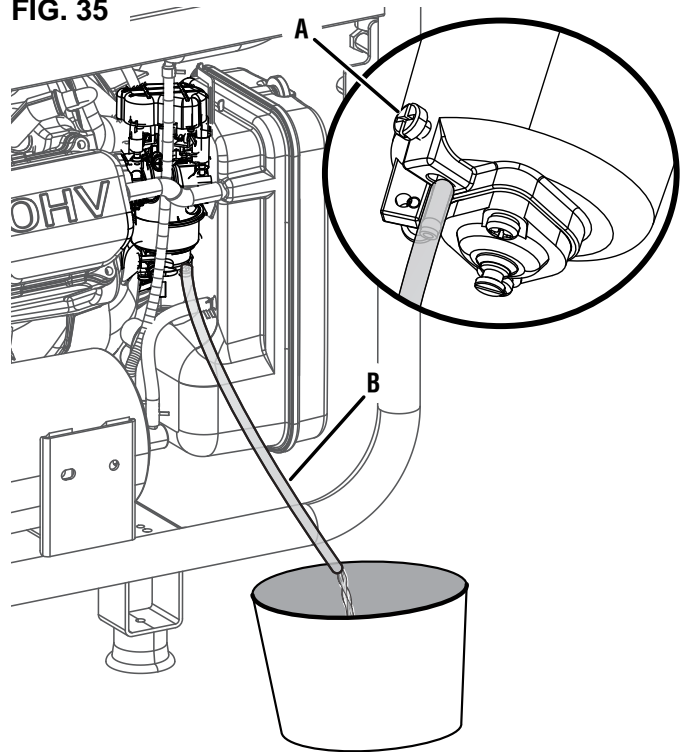
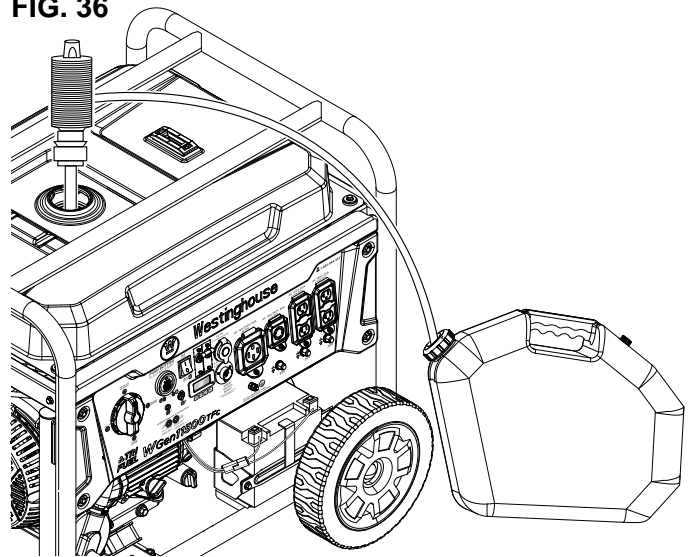
- Tourner le sélecteur de carburant sur **ARRÊT DU CARBURANT**  et ouvrez le robinet de carburant.
- Nettoyez la zone autour du bouchon de carburant et retirez le bouchon lentement.

FIG. 35




A - Vis de vidange
B - Tuyau de vidange (non inclus)

FIG. 36



- Retirez le filtre à tamis à carburant en le comprimant légèrement tout en le retirant du réservoir.
- À l'aide d'une pompe manuelle à essence disponible dans le commerce (non incluse), siphonnez l'essence du réservoir de carburant dans un bidon d'essence approuvé. **NE PAS** utiliser de pompe électrique.

NOTE : Le réservoir de carburant peut également être vidangé à l'aide de la vis de vidange du carburateur et du tuyau de vidange comme décrit précédemment. Tournez le sélecteur de carburant sur **ESSENCE**  et ouvrez le robinet de carburant pour permettre au carburant de s'écouler du réservoir à travers le carburateur.

ENTRETIEN ET MAINTENANCE

REPLACEMENT DE LA VALVE DE CARBURANT

Voir la figure 37.

Au fil du temps, le filtre à carburant à l'intérieur du robinet de carburant peut se salir ou se boucher. Pour réduire le risque de panne du moteur, remplacez l'ensemble du robinet de carburant, y compris le filtre, conformément aux chiffres spécifiés dans le **programme d'entretien** ou le manuel du moteur (le cas échéant).

- Éteignez le générateur et laissez le moteur refroidir pendant 30 minutes.
 - Vidanger le réservoir de carburant comme décrit précédemment.
 - Localisez la vanne de carburant et notez l'orientation de la vanne.
- NOTE :** Placez un bidon d'essence approuvé sous le robinet de carburant pour récupérer tout carburant restant.
- À l'aide de pinces, serrez les clips de conduite de carburant et faites glisser le conduit de carburant loin du filtre.
 - À l'aide d'une clé (19 mm) [non incluse], desserrez et retirez le robinet de carburant du réservoir.
 - Vissez le nouveau robinet de carburant sur le réservoir de carburant et serrez fermement.
 - Installez la conduite de carburant sur le nouveau robinet de carburant.

CONTRÔLE/RÉGLAGE DU JEU AUX SOUPAPES

Voir les figures 38 et 39.

AVIS

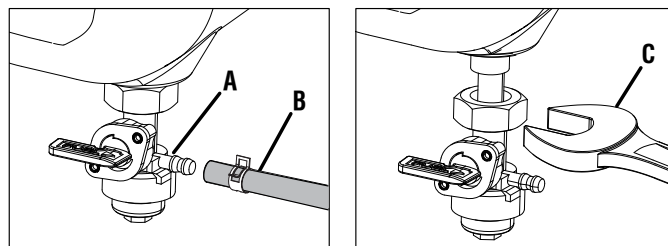
La vérification et le réglage du jeu des soupapes doivent être effectués lorsque le moteur est froid

- Éteignez le générateur et laissez le moteur refroidir pendant 30 minutes.
- Placez le générateur sur une surface plane dans un endroit bien aéré.
- Déposer le cache culbuteurs et retirer délicatement le joint. Si le joint est déchiré ou endommagé, il doit être remplacé.
- Retirez la bougie d'allumage pour que le moteur puisse tourner plus facilement.
- Tirez sur la poignée de recul pour faire tourner le moteur au point mort haut (PMH). Regarder à travers le trou de la bougie d'allumage ; le piston doit être en haut (les deux soupapes sont fermées).
- Les deux culbuteurs doivent être desserrés au PMH sur la course de compression. Si ce n'est pas le cas, faites tourner le moteur à 360°.
- Insérez une jauge d'épaisseur entre le culbuteur et la tige de soupape pour mesurer le jeu de soupape.

| | Soupape d'admission | Soupape d'échappement |
|-------------------------|--|--|
| Jeu des soupapes | 0,0031 – 0,0047 po (0,08 – 0,12 mm) | 0,0051 – 0,0067 po (0,13 – 0,17 mm) |
| Couple | 8-12 Nm | 8-12 Nm |

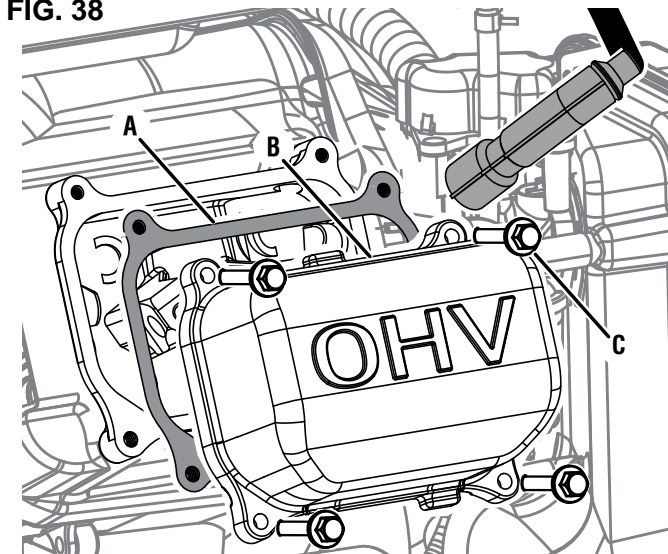
- Si un réglage est nécessaire, maintenez le pivot du culbuteur et desserrez l'écrou de réglage du pivot.
- Glisser la jauge d'épaisseur appropriée entre le culbuteur et la tige de soupape.

FIG. 37



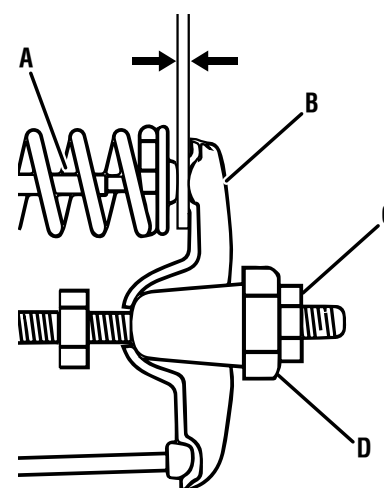
- A - Soupape de carburant
- B - Conduite de carburant
- C - Clé (19 mm) [Non inclus]

FIG. 38



- A - Joint
- B - Couverture de culbuteur
- C - Boulon

FIG. 39



- A - Tige de soupape
- B - Culbuteur
- C - Écrou de réglage du pivot
- D - Pivot de culbuteur

- Tourner le pivot du culbuteur pour obtenir le jeu spécifié. Maintenez le pivot du culbuteur et resserrez l'écrou de réglage du pivot au couple spécifié.

Couple : 106 pouces-livres (12 Nm)

- Revérifiez le jeu des soupapes.
- Si aucun réglage supplémentaire n'est nécessaire, effectuez cette procédure sur l'autre vanne.

ENTRETIEN ET MAINTENANCE

- Lorsque vous avez terminé, installez le joint, le couvercle du culbuteur et la bougie.

ENTRETIEN DE LA BATTERIE

Voir la figure 40.

AVERTISSEMENT La batterie dégage de l'hydrogène gazeux explosif pendant le fonctionnement normal. Une étincelle ou une flamme peut faire exploser la batterie avec suffisamment de force pour vous tuer ou vous blesser gravement. Portez des vêtements de protection et un écran facial, ou demandez à un technicien qualifié d'effectuer l'entretien de la batterie.

AVERTISSEMENT Risque de brûlure. La batterie contient de l'acide sulfurique (électrolyte) qui est hautement corrosif et toxique. Portez des vêtements de protection et des lunettes de protection lorsque vous travaillez à proximité de la batterie. Tenez les enfants éloignés de la batterie.

AVERTISSEMENT NE JAMAIS fumer ou travailler à proximité d'étincelles ou d'autres sources d'inflammation. NE JAMAIS touchez les deux bornes de la batterie en même temps avec votre main ou des outils non isolés. Si l'acide de la batterie entre en contact avec la peau ou les vêtements, rincez immédiatement avec de l'eau et neutralisez avec du bicarbonate de soude.

La batterie livrée avec le générateur a été complètement chargée. Une batterie peut perdre de la charge lorsqu'elle n'est pas utilisée pendant des périodes prolongées.

NOTE : Une fois démarré, le générateur chargera la batterie après 30 à 60 minutes d'utilisation.

Lorsque le générateur ne fonctionne pas, le chargeur d'entretien inclus peut rester connecté et maintiendra la batterie pendant une période indéfinie. Un voyant rouge sur le chargeur indique que la charge est en cours. Un voyant vert indique que la charge est terminée. Chargez dans un endroit sec.

- Branchez le chargeur dans le port de charge de la batterie sur le panneau de commande.
- Branchez l'extrémité de la prise murale du chargeur de batterie dans une prise murale de 120 volts CA.

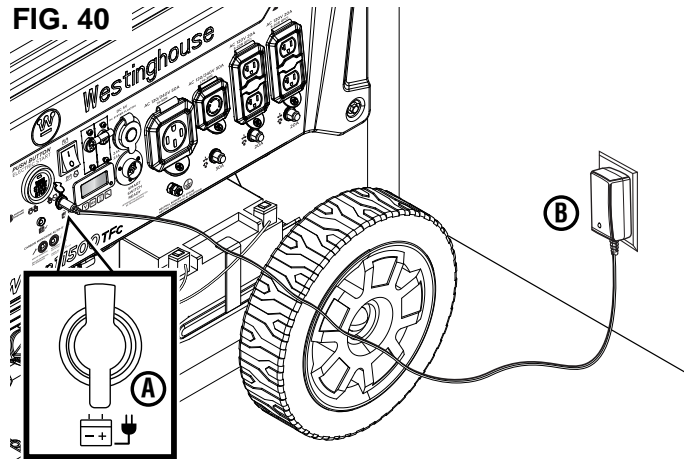
REPLACEMENT DE LA BATTERIE

Voir la figure 41.

PRÉCAUTION Les bornes et les bornes de la batterie contiennent du plomb et des composés de plomb. Se laver les mains après manipulation

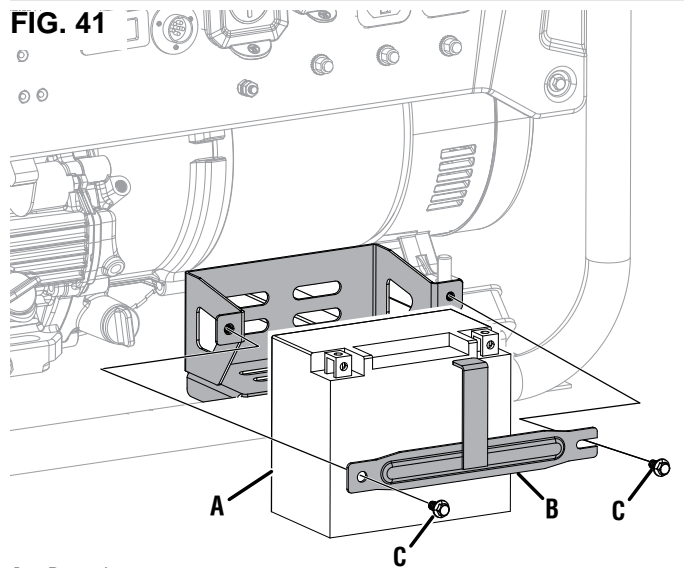
- Retirer la roue devant la batterie.
- Retirez les deux boulons de la plaque de batterie et la plaque de batterie. Inclinez la batterie vers l'avant et retirez-la.
- Débranchez le câble négatif (-) (gaine noire) de la borne négative (-) de la batterie.
- Débranchez le câble positif (+) de la batterie (gaine rouge) de la borne positive (+) de la batterie.

FIG. 40



A - Port de charge de la batterie
B - Chargeur

FIG. 41



A - Batterie
B - Plaque de batterie
C - Boulon

AVIS Connectez toujours les câbles dans l'ordre suivant pour éviter tout risque de choc.

- Sur la batterie de remplacement, connectez le câble positif (+) de la batterie (botte rouge) à la borne positive (+) de la batterie. Fixez le coffre sur la borne de la batterie.
- Connectez le câble négatif (-) de la batterie (gaine noire) à la borne négative (-) positive. Fixez le coffre sur la borne de la batterie.
- Installez la batterie dans le support de batterie. Installez la plaque de batterie et les boulons. Bien serrer les boulons.

AVIS Jetez la batterie usagée correctement conformément aux directives établies par votre gouvernement local ou national.

- Réinstallez la roue.

ENTRETIEN ET MAINTENANCE

ENTREPOSAGE

Éteignez l'appareil et laissez-le refroidir pendant au moins 30 minutes avant de le ranger. Maintenez l'appareil en position verticale. Ne stockez pas le générateur sur le côté. Vidanger le carburant avant de ranger l'appareil. Stockez l'appareil et le carburant séparément dans des zones bien ventilées, à l'écart des étincelles, des flammes nues, des veilleuses, de la chaleur et d'autres sources d'inflammation.

AVIS

L'essence stockée pendant aussi peu que 30 jours peut se détériorer, provoquant une accumulation de gomme, de vernis et de corrosion dans les conduites de carburant, les passages de carburant et le moteur. Cette accumulation corrosive limite le débit de carburant, ce qui peut empêcher le démarrage du moteur après une période de stockage prolongée. L'utilisation d'un stabilisateur de carburant augmente considérablement la durée de stockage de l'essence. L'utilisation à plein temps du stabilisateur de carburant est recommandée. Suivez les instructions d'utilisation du fabricant.

| TEMPS DE STOCKAGE | PROCÉDURE RECOMMANDÉE |
|-------------------|---|
| Moins de 1 mois | Remplacez tous les couvercles de protection sur le panneau de commande du générateur. Nettoyez l'extérieur du générateur et retirez tous les débris des événements de refroidissement du silencieux. |
| 2 à 6 mois | Remplacez tous les couvercles de protection sur le panneau de commande du générateur. Nettoyez l'extérieur du générateur et retirez tous les débris des événements de refroidissement du silencieux. Vidanger la cuve du flotteur du carburateur. (Conservez l'essence dans un bidon d'essence approuvé ou jetez-la conformément aux ordonnances nationales et locales.) |
| 6 mois ou plus | Remplacez tous les couvercles de protection sur le panneau de commande du générateur. Nettoyez l'extérieur du générateur et retirez tous les débris des événements de refroidissement du silencieux. Vidangez la cuvette du carburateur et le réservoir de carburant. (Conservez l'essence dans un bidon d'essence approuvé ou jetez-la conformément aux ordonnances nationales et locales.) Mettez une cuillère à soupe d'huile moteur dans le cylindre de la bougie. Tirez doucement sur la poignée de recul pour faire tourner lentement le moteur et répartir le lubrifiant. Réinstallez la bougie. Changez l'huile moteur. |

PROGRAMME D'ENTRETIEN

Un entretien régulier améliorera les performances et prolongera la durée de vie du générateur. Suivez les intervalles horaires ou calendaires, selon la première éventualité. Un entretien plus fréquent est nécessaire en cas de fonctionnement dans des conditions défavorables, comme indiqué ci-dessous.

NOTE : Si votre produit a un manuel du moteur séparé, ne tenez pas compte des informations contenues dans ce tableau et suivez les instructions du manuel du moteur.

| | Avant de chaque utilisation | Après les premières 25 heures ou le premier mois | Après 50 heures ou tous les six mois | Après 100 heures ou tous les six mois | Après 300 heures ou tous les ans |
|---|-----------------------------|--|--------------------------------------|---------------------------------------|----------------------------------|
| Vérifier l'huile moteur | X | | | | |
| Changer l'huile moteur ¹ | | X | X | | |
| Nettoyer le filtre à air ² | | | X | | |
| Inspecter/nettoyer le pare-étincelles | | | | X | |
| Inspecter/nettoyer la bougie | | | | X | |
| Inspecter/régler le jeu des soupapes ³ | | | | X | |
| Remplacer bougie d'allumage | | | | | X |
| Remplacer filtre à air | | | | | X |
| Remplacer le filtre à huile | | | | | X |
| Remplacer la soupape de carburant | | | | X | |

¹ Changer l'huile tous les mois lors d'un fonctionnement sous forte charge ou à des températures élevées.

² Nettoyez plus souvent dans des conditions sales ou poussiéreuses. Remplacez le filtre à air s'il ne peut pas être correctement nettoyé.

³ Recommandez que l'entretien soit effectué par un revendeur agréé Westinghouse.

ENTRETIEN ET MAINTENANCE

Les pièces de maintenance peuvent être achetées directement à l'usine. Une liste partielle des pièces de maintenance est ci-dessous. Pour une liste complète des pièces de maintenance ou pour des informations supplémentaires, écrivez-nous à service@wpowereq.com ou composez le **1-855-944-3571**.

| | |
|-------------------------------------|------------|
| Filtre à air..... | 2126 |
| Bouchon de vidange d'huile | 91817 |
| Rondelle de bouchon de vidange..... | 94004 |
| Jauge de niveau d'huile..... | 485601-295 |
| Bougie d'allumage..... | 97108 |

AVERTISSEMENT

N'utilisez pas de pièces jointes ou d'accessoires qui ne sont pas recommandés pour une utilisation avec ce produit. Toute modification non autorisée et l'utilisation d'accessoires incompatibles peuvent endommager l'appareil et annuler votre garantie.

DÉPANNAGE

| PROBLÈME | CAUSE POSSIBLE | CORRECTION |
|--|---|--|
| Le moteur démarre, puis s'arrête | Le niveau de carburant est bas ou épuisé. | Ajoutez de l'essence, branchez un tuyau de gaz naturel ou branchez une bouteille de propane. |
| | Le niveau d'huile moteur bas a arrêté le générateur. | Remplir d'huile au niveau approprié et s'assurer que le générateur est sur une surface plane et de niveau. |
| | Filtre à air sale. | Nettoyez le filtre à air. |
| | Source de carburant contaminée. | Vidangez l'essence et remplissez le réservoir de carburant, remplacez la bouteille de propane ou faites nettoyer la conduite de gaz naturel par un professionnel. |
| | Contacteur de bas niveau d'huile défectueux. | Contactez le service client Westinghouse sans frais au 1 (855) 944-3571. |
| Le moteur manque de puissance | Filtre à air obstrué. | Nettoyez ou remplacez le filtre à air. |
| | Le levier de starter est dans la mauvaise position. | Déplacez le levier de starter dans la bonne position. |
| | Dysfonctionnement du système d'alimentation en carburant, dysfonctionnement de l'allumage, soupapes bloquées, etc. | Contactez le service client Westinghouse sans frais au 1 (855) 944-3571. |
| Le moteur ne démarre pas | Le niveau de carburant est bas ou épuisé. | Ajoutez de l'essence, branchez un tuyau de gaz naturel ou branchez une bouteille de propane. |
| | Essence périmée, génératrice entreposée sans traitement ni vidange d'essence, ou ravitaillée avec de l'essence de mauvaise qualité. | Vidanger le réservoir d'essence. Faire le plein avec de l'essence fraîche. |
| | Filtre à air sale. | Nettoyez le filtre à air. |
| | Le niveau d'huile moteur bas a arrêté le générateur. | Remplir d'huile au niveau approprié et s'assurer que le générateur est sur une surface plane et de niveau. |
| | Bougie mouillée de carburant (moteur noyé). | Attendez cinq minutes. Tournez le sélecteur de carburant sur la position CARBURANT COUPÉ ☹. Tirez rapidement la poignée de recul plusieurs fois. Si le générateur ne démarre pas, retirez la bougie et séchez-la. |
| | Bougie défectueuse, encrassée ou mal écartée. | Ecartez ou remplacez la bougie. Réinstallez. |
| | Le sélecteur de carburant est en position CARBURANT COUPÉ ☹ | Tournez le sélecteur de carburant sur la position appropriée. |
| | Capteur de CO retiré ou modifié. | Retour à la configuration d'origine. |
| | Le capteur de CO s'est activé ou une erreur système s'est produite. | Déplacer le générateur /Contactez le service client Westinghouse sans frais au 1 (855) 944-3571. |
| Le moteur fonctionne mal ou les tourbières lorsque la charge est appliquée | Filtre à air sale. | Nettoyez le filtre à air. |
| | Générateur surchargé. | Débranchez certains appareils. |
| | Outil électrique ou appareil défectueux. | Remplacez ou réparez l'outil ou l'appareil. Arrêtez et redémarrez le moteur. |
| | Dysfonctionnement du système d'alimentation en carburant, dysfonctionnement de l'allumage, soupapes bloquées, etc. | Contactez le service client Westinghouse sans frais au 1 (855) 944-3571. |
| Pas d'alimentation aux récipients à courant alternatif | Disjoncteur(s) CA déclenché(s). | Vérifiez les charges CA et réinitialisez le(s) disjoncteur(s). |
| | Outil électrique ou appareil défectueux. | Remplacez ou réparez l'outil ou l'appareil. Arrêtez et redémarrez le moteur. |
| | Générateur défectueux. | Contactez le service client Westinghouse sans frais au 1 (855) 944-3571. |



www.WestinghouseOutdoorPower.com
Service Hotline (855) 944-3571
777 Manor Park Drive, Columbus, OH 43228

® and Westinghouse are trademarks of Westinghouse Electric Corporation.
Used under license by Westinghouse Outdoor Power Equipment.
© 2023 MWE Investments, LLC All Rights Reserved.