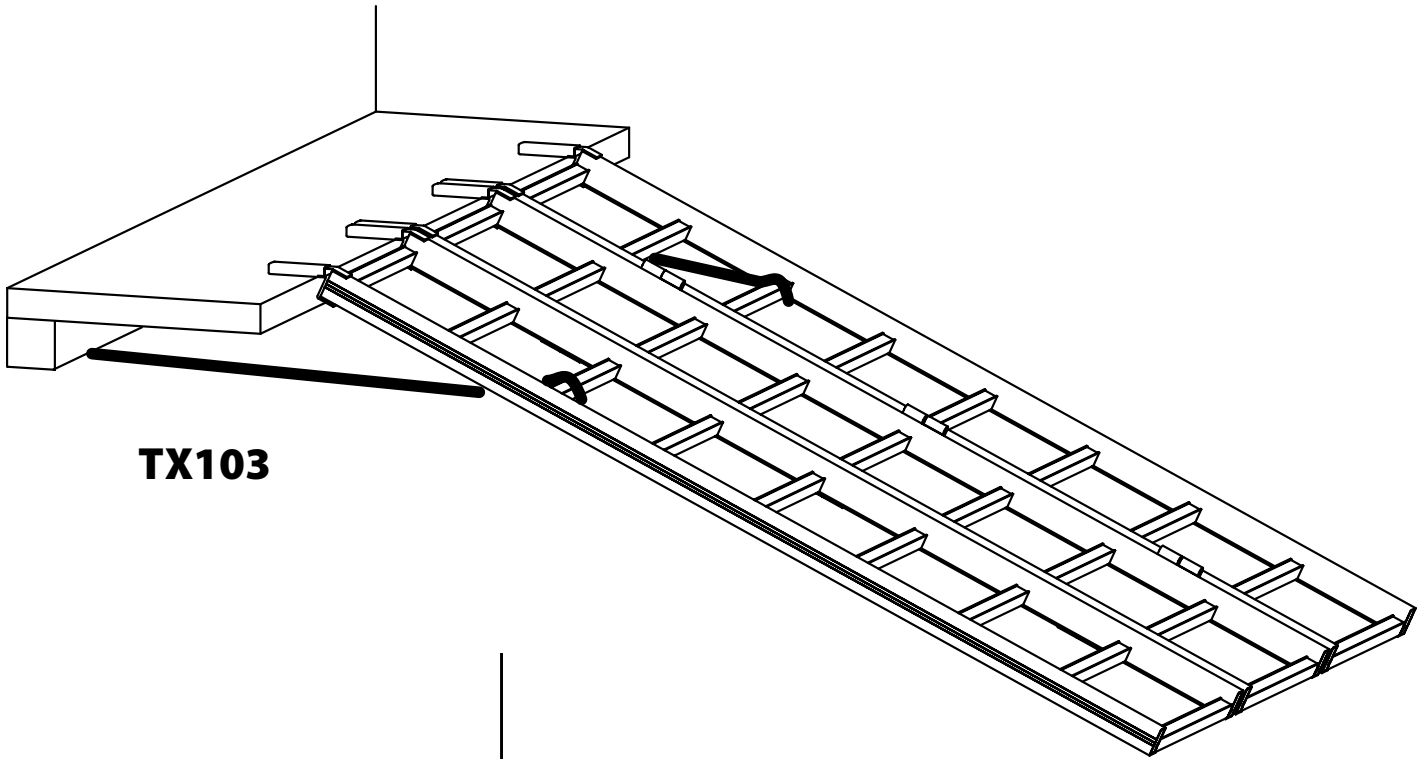
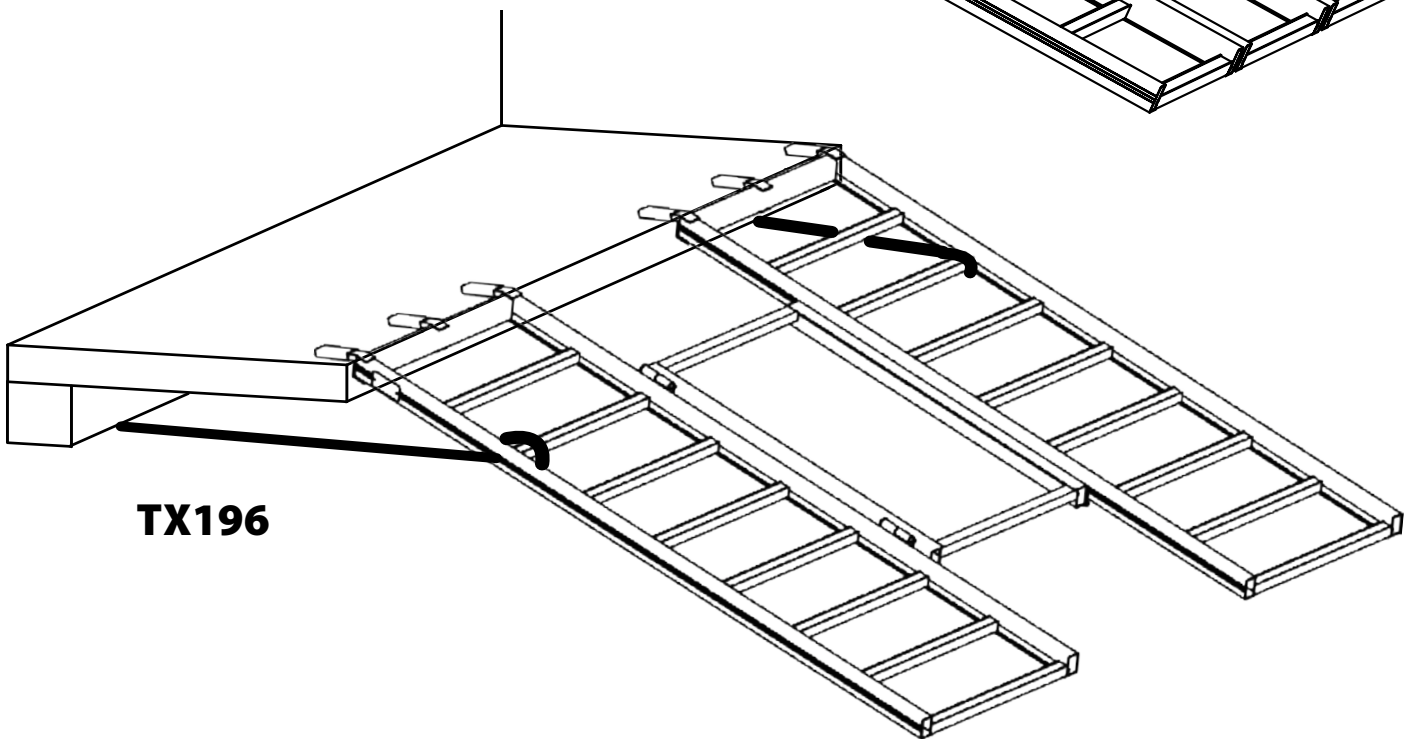




Operator's Manual
TX103 and TX196
Aluminum
Tri-fold Ramp



TX103



TX196

YUTRAX offers a full line of ATV accessories. We appreciate your purchase of one of our world class ATV Ramps. Follow these few simple instructions and your product will be sure to give you many years of trouble free pleasure. Instructions should be kept in a safe place and reviewed at least annually.

If for any reason you have a problem with your product, **DO NOT return to the retailer**; contact the YUTRAX customer service department at 800-345-6007 Monday through Friday from 8 a.m. to 5 p.m. CST for assistance.

ASSEMBLY INSTRUCTIONS:

1. Attach the two provided securing straps to the third cross tread from the tailgate end (one on each side of ramp). Wrap the loop end of each strap around the cross tread and thread the buckle and "S" hook end thru the loop. This permanently attaches straps to the ramp. **SEE FIGURE 1.**

USE INSTRUCTIONS:

TO LOAD YOUR 4-WHEELED ATV:

1. On level ground, open ramp completely and rest on tailgate. **SEE FIGURE 2.** Be sure ramp is centered on tailgate.
2. Hook the "S" hooks of both straps to bumper and pull on loose end of straps until straps are tightly holding ramp to tailgate. To remove, simply push the thumb release on strap buckle.
3. Using an electric or manual winch, draw the ATV up the ramps. **DO NOT drive the ATV up the ramps.**
4. Once vehicle is in truck bed, be sure to set brake & securely tie down vehicle. Ramp can now be removed, folded up, and stored.

TO UNLOAD YOUR 4-WHEELED ATV

1. Reverse loading procedures to unload your ATV.

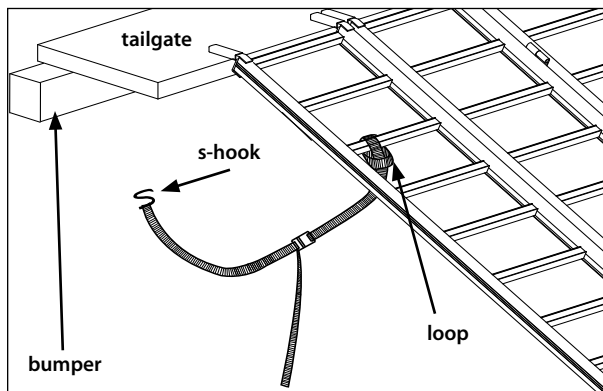


Figure 1

⚠ WARNING

READ, UNDERSTAND AND FOLLOW ALL ASSEMBLY, INSPECTION, & USE INSTRUCTIONS PROVIDED BEFORE EACH USE. FAILURE TO FOLLOW ALL INSTRUCTIONS, WARNINGS & LOAD CAPACITY RATING COULD RESULT IN SERIOUS INJURY OR DEATH.

IF ANY INSTRUCTIONS ARE NOT UNDERSTOOD OR IF YOU HAVE A PARTS ISSUE CALL 800-345-6007 BEFORE USING.

DO NOT USE AN ATV ON THIS RAMP IF THE ATV HAS SNOW CHAINS ON TIRES. CHAINS WILL CAUSE DAMAGE TO YOUR RAMP AND IS HAZARDOUS!

BE CAREFUL OF PINCH POINTS AT RAMP HINGE LOCATIONS.

BE CAREFUL OF PINCH POINTS AT RAMP TAB LOCATIONS WHILE SECURING RAMP TO TAILGATE.

THIS RAMP IS FOR USE WITH 4-WHEELED ATV'S ONLY. DO NOT USE WITH 2- OR 3-WHEELED VEHICLES EXCEEDING 1,500 LBS. WITH TX196 RAMPS OR 1,750 LBS. WITH TX103 RAMPS.

SAFETY STRAPS MUST BE SECURELY HOOKED UP TO VEHICLE TO PREVENT RAMPS FROM SLIDING OFF TAILGATE. TEST BEFORE USING OR YOU COULD BE SERIOUSLY INJURED. BE SURE YOUR TRUCK IS IN PARK AND EMERGENCY BRAKE ENGAGED.

BE SURE 4-WHEELED ATV IS CENTERED ON RAMP. DO NOT USE WITH ANY VEHICLE THAT HAS WIDER TIRES THAN THE RAMP WIDTH.

MAXIMUM USABLE HEIGHT, GROUND TO LOADING POSITION, IS NO MORE THAN ONE HALF THE LENGTH OF THE RAMP.

BE SURE RAMP IS PROPERLY PLACED AND SECURED AS DESCRIBED IN LOADING INSTRUCTIONS.

DO NOT USE ON SOFT SURFACES OR UNLEVEL TERRAIN.

DO NOT EXCEED THE CAPACITY OF YOUR LOADING SURFACE (I.E. TAILGATE, BUMPER). IF UNKNOWN, CONSULT THE MANUFACTURER TO FIND LOAD CAPACITIES.

IF LOADING OR UNLOADING FROM A TRAILER, MAKE SURE THE TRAILER IS PROPERLY COUPLED TO THE TOW VEHICLE.

NEVER STAND IN THE PATH OF EQUIPMENT WHEN LOADING/UNLOADING WITH THE RAMP, AND KEEP BYSTANDERS AWAY FROM THE RAMPS.

DO NOT STEP BETWEEN RUNGS. THIS MAY CAUSE A PERSON TO FALL THROUGH AND POSSIBLY RESULT IN SERIOUS BODILY INJURY.

RAMPS ARE INTENDED FOR LOADING/UNLOADING EQUIPMENT ONTO A TRAILER OR PICKUP TRUCK. DO NOT USE RAMP SECTIONS AS A LADDER, BRIDGE, SCAFFOLDING, OR FOR ANY OTHER PURPOSE.

ALWAYS...

- Use on level ground and securely attach ramp to truck.
- Be careful of pinch points at ramp hinge locations.
- Be careful of pinch points at ramp tab locations while securing ramp to tailgate.
- Use as 4-wheeled ATV ramp only.
- Inspect before each and every use to be sure there is no product damage or loose/missing bolts & hardware. Lubricate hinges as necessary.

NEVER...

- Never exceed load capacity of 1,500 lbs (TX196) or 1,750 lbs. (TX103) distributed over four wheels.
- Use a damaged ramp; replace with new ramps.
- Use while under the influence of alcohol or drugs.
- Load ATV on ramp with any gear on racks of ATV.
- Use with 2- or 3-wheeled vehicles.
- Use carelessly -- Think Safety!
- Use in slippery conditions.

REPLACEMENT COMPONENTS

- 48682 Rubber tab cover
- 48663 Ramp strap, complete

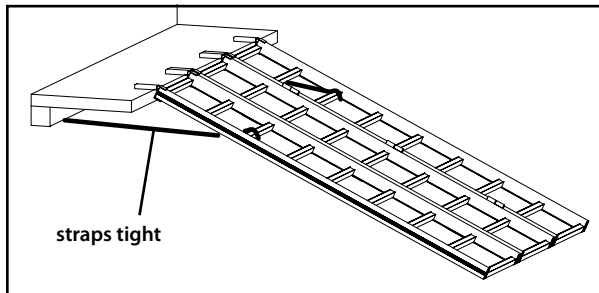


Figure 2-TX103

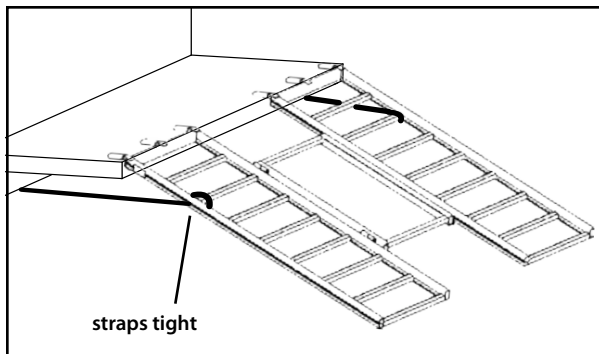


Figure 2-TX196

WARRANTY

YUTRAX, a division of Ardisam Incorporated, offers a one year limited warranty to be free from defects in materials and workmanship for the service life of the product, not to exceed twelve consecutive months from the date of purchase. This warranty applies to the original owner with a proof of purchase and is not transferable.

This warranty applies only to products which have not been subjected to negligent use, misuse, alteration, accident or if repairs have been made by anyone outside our factory. This warranty supersedes all other warranties either expressed or implied and all other obligations or liabilities on our part.

Ardisam, Inc., does not assume, and does not authorize any other person to assume for us, any liability in connection with the sale of our products. Warranty work must be sent directly to Ardisam, Inc. or one of our authorized service centers and performed by them.

To obtain warranty service and/or replacement instructions, you must have prior approval from Ardisam, Inc. before shipping your package to us by calling our customer service department at 800-345-6007 M-F 8-5 CST or by writing to: Ardisam, Inc., 1160 Eighth Avenue, Cumberland, WI 54829 for a return material authorization number (RMA#). All items must be shipped prepaid.

Ardisam, Inc. will at no charge, repair or replace, at their discretion, any defective part which falls under the conditions stated above. Ardisam retains the right to change models, specifications and price without notice.

For replacement parts, phone 800-345-6007 or go online to www.yutrax.com.