

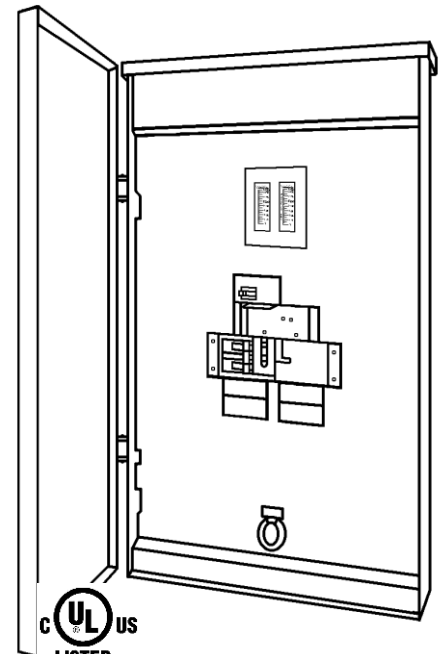
TWB SERIES - Heavy-Duty Manual Transfer Panels

The Panel/Link TWB includes a 150A or 200A utility main breaker interlinked with a 30A-125A generator breaker feeding a heavy-duty copper bus with feed-through lugs. The interlinked circuit breakers keep the generator isolated from the utility at all times.

Suitable for service entrance, the TWB may be used as a main panel or a feed-through sub-panel. The TWB has provision for 4/8 branch circuits and is ideal for applications requiring the entire service panel to be available for generator power. Watt meters are optional.

Wgt: 37 LBS

Dimensions: 28"h x 14.25"w x 4.5"d



LISTED

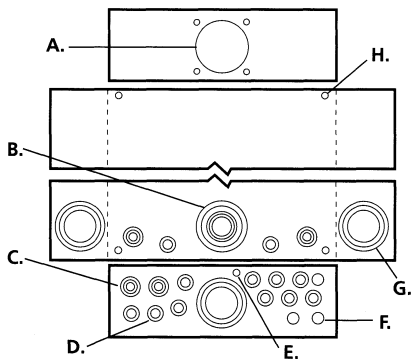
THE FOLLOWING BRANCH CIRCUIT BREAKERS ARE UL APPROVED FOR USE WITH THIS TRANSFER PANEL:

SIEMENS: TYPES QP, QG, QPH HQP, QPF, QPHF, QFP, QE, QEH, QAF, & QAFH

SQUARE D: SERIES HOM (100A MAX)

C-H/WESTINGHOUSE: SERIES BD, BR, BQ & GFC (ALL 100A MAX)

CATALOG NO.	SPECIFICATIONS				
Outdoor (NEMA3R)	Max. Utility Input Amps	Max. Gen. Input Amp	Gen. Power Inlet- Included	Max. Circuits -Single Pole	Max. Gen. Input• kW
TWB1503DR	150	30	No	4/8	7.5
TWB1505DR	150	50	No	4/8	12.5
TWB1506DR	150	60	No	4/8	15
TWB1510DR	150	100	No	4/8	25
TWB1512DR	150	125	No	4/8	31.25
TWB2003DR	200	30	No	4/8	7.5
TWB2005DR	200	50	No	4/8	12.5
TWB2006DR	200	60	No	4/8	15
TWB2010DR	200	100	No	4/8	25
TWB2012DR	200	125	No	4/8	31.25



Outdoor
TRC, TRR, TTH, TTT, TTV, TWB Series

- A. HS Type Hub Opening (Max. 2.5" Conduit)
- B. 1 K.O. for 1", 1.25", 1.5", 2", 2.5" Conduit
- C. 4 K.O.s for .5", .75", 1" Conduit
- D. 12 K.O.s for .5", .75" Conduit
- E. 1 K.O. .25"
- F. 3 K.O.s for .5" Conduit
- G. 3 K.O.s for 1.5", 2", 2.5" Conduit
- H. Embossed .25" Mounting Hole (4 places)

Wiring Diagram

