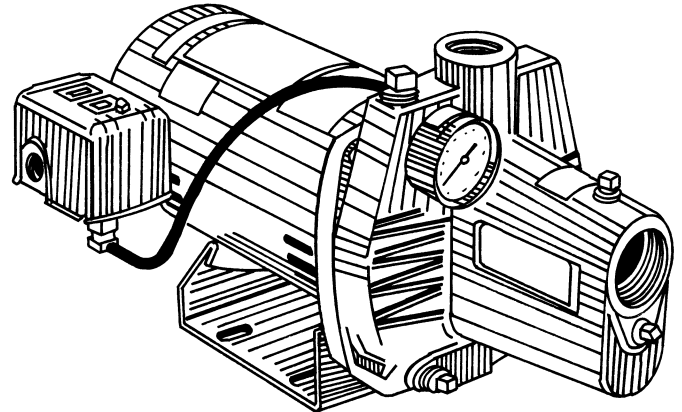


# Self Priming Shallow Well Jet Pumps

## SAFETY WARNINGS



**BEFORE OPERATING OR INSTALLING THIS PUMP, READ THIS MANUAL AND FOLLOW ALL SAFETY RULES AND OPERATING INSTRUCTIONS.**



**IMPORTANT: READ THIS MANUAL BEFORE INSTALLING OR OPERATING THE PUMP.**

**SAFETY CAREFULLY READ THESE SAFETY MESSAGES.**

### CAUTION

Review instructions before operating.

### WARNING - ELECTRICAL PRECAUTIONS

All wiring, electrical connections, and system grounding must comply with the National Electrical Code (NEC) and with any local codes and ordinances. Employ a licensed electrician.

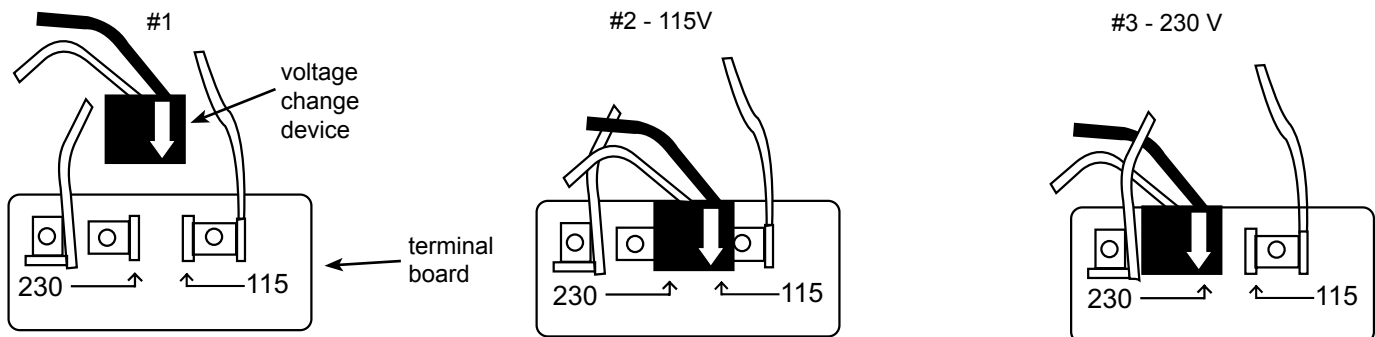
### FOR DUAL VOLTAGE MOTORS:

Voltage change instructions are located on motor label or on wiring access cover.

### WARNING - RISK OF ELECTRICAL SHOCK

- Have an electrician provide electrical power to motor.
- A ground fault interrupter (GFI) protected circuit is recommended for use with any electrical device operating near water.
- For recommended cable size see Table 1.
- Motor must be grounded and terminal cover in place to reduce electrical shock hazard.
- Keep motor operating area as dry as possible.
- Always disconnect power before servicing.
- Not investigated for use in swimming pool areas.

## VOLTAGE WIRING INSTRUCTIONS



In #1, the motor's switch is shown before the black voltage change device is pressed down onto the voltage terminals.

In #2, the motor's switch is set for 115V. The black voltage change device is pressed down onto both terminals with the white arrow point on the voltage change device pointing directly to the 115V arrow point on the terminal board.

In #3, the motor's switch is set for 230V. The black voltage change device is pressed down onto only one terminal with the white arrow point on the voltage change device pointing directly to the 230V arrow point on the terminal board.

**NOTE: DO NOT** move white lead wires on L1 & L2.

## APPLICATION

The shallow well jet pump is ideal for the supply of fresh water to rural homes, farms and cabins. This pump is suitable for installations where the vertical distance from the pump to the water level does not exceed \*25 ft. (7.6m), including drawdown. In off-set installations, friction losses in the suction pipe must be taken into consideration. (Refer to Table 2, Friction Loss.)

\*Less at high altitudes.

## PERFORMANCE

U.S. Gallons per minute, at 30 PSI at Total Suction Lift in feet below.					
PUMP HP	5'	10'	15'	20'	25'
1/3	9.7	8.3	7.0	5.6	4.1
1/2	12.3	11.0	9.6	7.8	5.5
3/4	15.8	13.7	11.3	9.3	7.0
1	23.2	20.1	17.4	14.2	10.4
1/2 HP High Press.	8.6	7.6	6.3	5.1	3.6

Litres per minute, at 30 PSI at Total Suction Lift in metres below.					
PUMP HP	1.5m	3.0m	4.5m	6.0m	7.5m
1/3	36.7	31.4	26.5	21.2	15.5
1/2	46.6	41.7	36.4	29.5	20.8
3/4	59.8	51.9	42.8	35.2	26.5
1	87.8	76.0	65.8	53.7	39.4
1/2 HP High Press.	32.6	28.6	23.9	19.3	13.6

## INSTALLATION

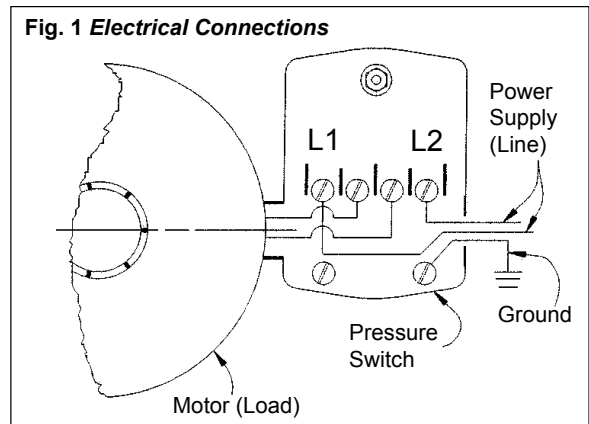
- a) **Pump Location:** The pump should be installed in a clean, dry and ventilated location which provides adequate room for servicing and protection from freezing temperatures. It should be bolted to a good foundation, preferably concrete and provided with adequate drainage. Locating the pump as close as possible to the water source reduces the friction in the suction pipe and will give maximum capacities.
- b) **Suction Pipe:** It is recommended that only new, clean 1-1/4 inch pipe or hose be used. If the pump is installed any appreciable distance away from the source of water, the suction pipe should be increased to 1-1/2 inches. Horizontal lengths of pipe must gradually slope upwards from the source of water to the pump to avoid air pockets in the line. Thread compound should be used on all pipe joints and connections should be thoroughly tightened. A foot valve must be installed and its operation should be checked since a leak will prevent proper operation of the system. Make sure the foot valve is located so that it will be submerged at all times. If a sandpoint or driven well is used, install a check valve next to the pump suction instead of the foot valve (Fig. 2b). All installations must have a foot valve or a check valve in the suction pipe.
- c) **Pump to Tank Fittings:** The discharge pipe from the pump to the tank should be as short and direct as possible and should be the same size as that of the pump discharge tapping. A check valve should never be installed between the pump and the tank.
- d) **Service Line:** The service line should be connected as shown in Fig. 2a, b, c or d. The size of the service line required is governed entirely by the amount of water needed and the length of the pipe. The pipe selected should be large enough so that the friction loss (determined from Table 2, Friction Loss Chart) will never exceed 20 ft. (6m) head.

### ⚠ **WARNING - ELECTRICAL PRECAUTIONS**

All wiring, electrical connections, and system grounding must comply with the National Electrical Code (NEC) and with any local codes and ordinances. Employ a licensed electrician.

### ⚠ **WARNING - RISK OF ELECTRICAL SHOCK**

- e) **Wiring:** An electrician should be employed to do the wiring and connect the electrical service to the pump. The pressure switch is wired to the motor at the factory and the voltage for which the motor is wired is indicated by a sticker where applicable. Make sure the motor is wired for the same voltage as the power supply. Refer to the motor nameplate or inside terminal cover for voltage changing instructions. The power lines should be connected to the pressure switch terminals marked "line" (see Fig.1). It is recommended that a separate circuit be led from the distribution panel to the pump unit. A ground fault interrupter (GFI) protected circuit should be used for all electrical devices operating near water. Install a proper fused disconnect switch in the line and make certain the wiring is adequately sized and well insulated. Undersized wire between the motor and the power source will adversely limit the starting and load carrying abilities of the motor. Minimum wire sizes for motor branch circuits are recommended (see Table 1). For added safety, the pump and motor should be grounded to the well casing or the ground in the distribution panel.
- f) **Pressure Gauge:** If a pressure gauge is supplied with the pump or if you wish to install a pressure gauge, it should be installed into the 1/4" NPT hole on the front of the casing directly beside the discharge opening.
- g) **Air Volume Control:** If no perma-pressure tank is used in a pressure system, an air volume control must be used to maintain an air cushion in the pressure tank. Refer to pressure tank owner's manual for instructions.
- h) **Pressure Relief Valve:** A high pressure safety relief valve is recommended to be installed at some point in the water system. Ensure its location is near the discharge of the pump, in an area with adequate drainage. Be sure to direct the valve such that any water flow could not spray toward any electrical devices.



**TABLE 1 – MAXIMUM WIRE LENGTH (FT.)**

Motor		Wire Gauge (AWG)				
HP	Volts	0-25 ft.	50 ft.	100 ft.	150 ft.	200 ft.
1/3	115	14	14	14	12	10
1/2	115	14	14	12	10	8
3/4	115	14	14	10	8	8
1	115	14	12	10	8	6

Based on approx. 3% voltage drop.

**TABLE 2 - FRICTION LOSS FOR PLASTIC PIPE\***

Loss of head in feet, due to friction per 100 feet of pipe.

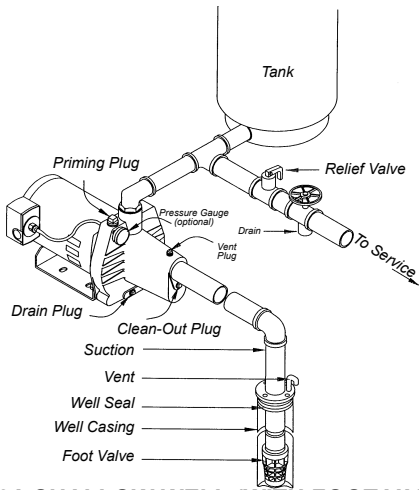
Nominal Pipe Size U.S. GPM	3/4"	1"	1"-1/4"	1-1/2"	2"
4	3.75	1.15	0.30	0.14	—
5	5.66	1.75	0.46	0.22	—
6	7.95	2.45	0.65	0.31	—
7	10.60	3.25	0.86	0.41	—
8	13.50	4.16	1.10	0.52	—
9	16.80	5.17	1.35	0.65	—
10	20.40	6.31	1.67	0.79	0.23
11	24.40	7.58	1.98	0.95	0.27
12	28.60	8.85	2.33	1.10	0.32
14	38.00	11.80	3.10	1.46	0.43
16	48.60	15.10	3.96	1.87	0.55
18	60.50	18.70	4.93	2.33	0.69
20	73.50	22.80	6.00	2.83	0.84

\*For galvanized pipe, double the figures.

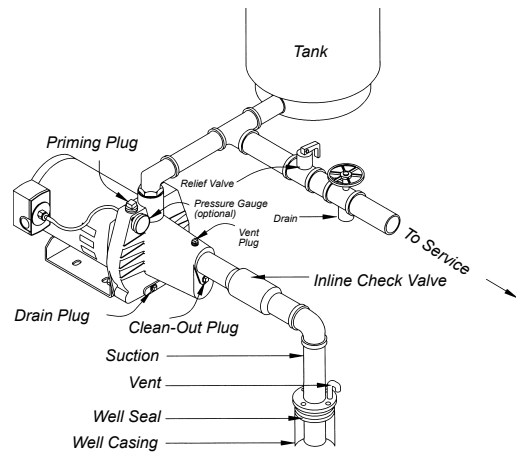
Loss of head in meters, due to friction per 100 meters of pipe.

Nominal Pipe Size L/Min.	20mm	25mm	32mm	40mm	50mm
15	3.7	1.15	0.30	0.13	—
20	5.3	1.64	0.43	0.19	—
25	7.1	2.18	0.56	0.27	—
30	13.5	4.13	1.08	0.49	—
35	16.3	5.00	1.31	0.61	—
40	23.5	7.30	1.90	0.88	0.25
45	28.3	8.74	2.31	1.07	0.29
50	34.2	10.60	2.79	1.32	0.38
55	40.7	12.60	3.32	1.56	0.46
60	48.1	14.90	3.92	1.85	0.54
65	55.7	17.30	4.45	2.15	0.63
70	63.8	19.70	5.20	2.46	0.73
75	72.2	22.40	5.89	2.78	0.83

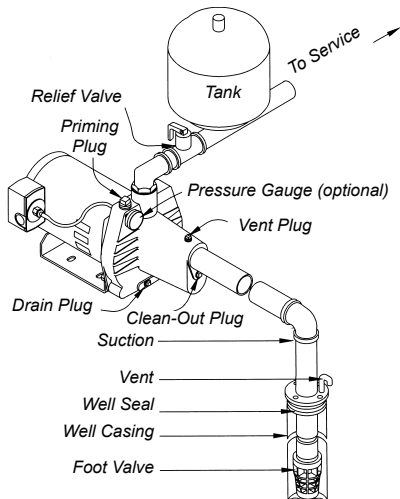
**TYPICAL INSTALLATIONS**



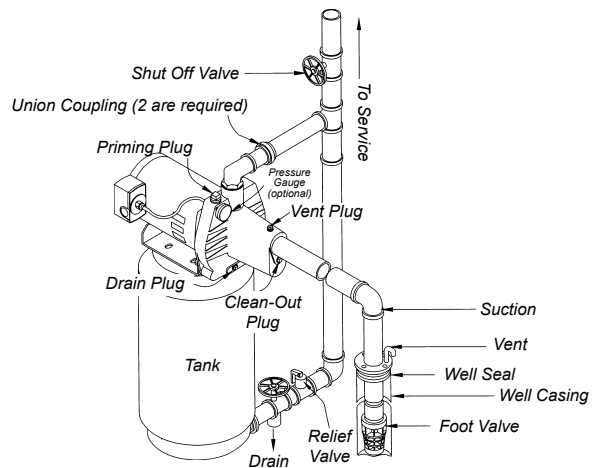
**FIG. 2A SHALLOW WELL (WITH FOOT VALVE)**



**FIG. 2B SHALLOW WELL (WITH INLINE CHECK VALVE)**



**FIG. 2C SHALLOW WELL - INLINE TANK (WITH FOOT VALVE)**



**FIG. 2D SHALLOW WELL - TANK MOUNTED SYSTEM (WITH FOOT VALVE)**

## OPERATION

### **⚠ WARNING:**

**DO NOT RUN THE PUMP BEFORE PRIMING IT; THE SEAL AND IMPELLER COULD BE PERMANENTLY DAMAGED.**

#### PRIMING

Note: You will need enough water to fill the suction line and casing. Priming time depends on distance from water source to pump (5-15 min.).

#### Using an in-line check valve:

1. Open discharge valve on service line and nearby tap to monitor water flow.
2. Pour clean water through priming plug opening at top of casing until water starts flowing out the vent plug hole.
3. Install enclosed vent plug, tighten loosely with a wrench.
4. Continue filling pump until water flows out of the priming hole.
5. Install enclosed priming plug, hand tighten.
6. Start pump. If a tap is visible you may see a short discharge of water, which will last 5-10 seconds.
7. Run the pump for 2 minutes, and then shut it off. Remove the vent plug and priming plug.
8. You have completed the first priming cycle, consisting of steps 2 to 7. This process will have to be repeated from 2 to 6 times, depending on the length of your suction line. (Approximately one priming cycle for every 5 feet of suction line.) You will know when to stop because the pump will begin to pump water continuously.
9. Once the pump begins pumping water continuously, firmly tighten the vent plug and priming plug with a wrench.
10. If the pump does not draw water within 8 tries, shut it off and check for suction leaks.

#### Using a foot valve:

1. Open discharge valve on service line and nearby tap to monitor water flow.
2. Pour clean water through priming plug opening at top of casing until the suction line is full and water starts flowing out the vent plug hole. You will need approximately 1 liter of water for every 3 ft. of suction line.
3. Follow steps 3 through 6 above. If within 2 minutes water is not being pumped continuously, stop the pump. Remove vent plug and priming plug. Repeat steps 2 through 6 above. If this does not work, stop the pump and check the suction line for leaks.
4. Once the pump begins pumping water continuously, firmly tighten the vent plug and priming plug with a wrench.

#### DRAINING

Should the unit be subject to freezing, it will be necessary to drain the pump and tank. To do this, shut off the power to the pump at the main electrical service panel. Open a tap in the water system to release the pressure. Remove the drain and fill plugs from the pump casing. Remove the pressure tank drain plug (if so equipped). Allow ample time for the system to drain before reinstalling the plugs!

## MAINTENANCE

### **⚠ WARNING - RISK OF ELECTRICAL SHOCK**

Before servicing motor operated equipment, shut off the power at the main electrical panel and disconnect the power supply from motor and accessories. Use safe working practices during servicing of equipment.

- a) **Lubrication:** The pump requires none. Refer to motor manufacturer's instructions for motor lubrication.
- b) **Cleanout Plug:** For applications where clogging is a problem, a 1/4" NPT plug has been provided for access to clean the nozzle/

venturi. This plug is located directly below the suction opening in the front of the casing. **IMPORTANT! Before removing the cleanout plug, shut off the power to the pump at the main electrical panel. Open a tap in the water system to release the pressure.**

#### c) Replacing Mechanical Seal: (See Fig. 3)

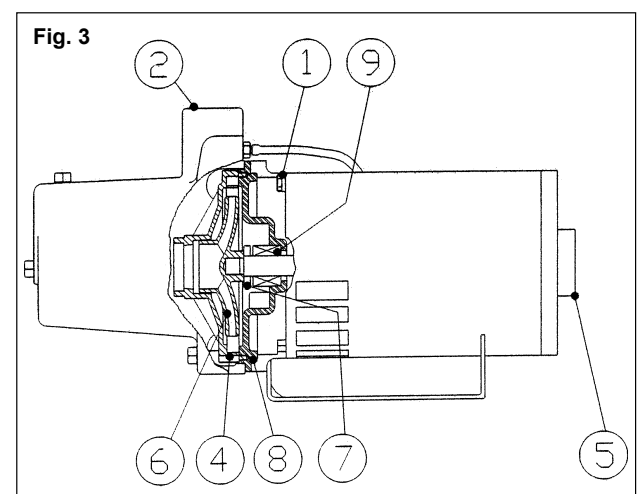
Only duly qualified persons should perform maintenance on electrical and/or mechanical devices.

#### Disassembly:

- 1) Shut off the power to the pump at the main service panel and disconnect the power supply from motor.
- 2) Open a tap in the water system to release the pressure.
- 3) Remove the drain and fill plugs to allow the pump to drain.
- 4) Disconnect the tube leading to the pressure switch.
- 5) Remove the four bolts (1) and remove casing (2).
- 6) Pry the diffuser (4) out of the casing using two slotted screwdrivers for leverage.
- 7) Remove cap (5) and insert a screwdriver to prevent the shaft from turning while unscrewing the impeller (6) (GE motors). For A.O. Smith motors, remove rear cover and hold the shaft using a flat wrench inserted from the side, through the opening in the end housing. Impeller has right-hand thread. If impeller cannot be turned by hand, insert a flat object into the impeller vane.
- 8) Slip the rotating seal (7) off the shaft and remove the seal plate (8).
- 9) Remove the ceramic seal seat (9) from the seal plate.

#### Reassembly:

- 1) Clean all the parts thoroughly before assembling.
- 2) Lightly lubricate (soapy water) the rubber cap on the ceramic seal (9) and push it into the seal plate using thumbs only. Make sure the smooth surface of the ceramic seat faces outwards.
- 3) Put the seal plate back on the motor.
- 4) Lubricate the rotating seal (7) with soapy water and slip it onto the shaft with the 'carbon' ring towards the ceramic seat.
- 5) Replace the impeller (6) and the diffuser (4).
- 6) Replace the casing (2) making sure that the gasket is not damaged and is in place.
- 7) Reconnect the tubes to the casing and to the pressure switch.
- 8) Reconnect the power.
- 9) Prime pump, start, check for leaks.



## TROUBLESHOOTING

- a) **Motor will not start:**
  - 1) No power to pressure switch due to blown fuses, open switches or loose connections.
  - 2) Pump pressure switch not closed.
- b) **Pump fails to deliver water:**
  - 1) Pump not completely primed.
  - 2) Suction lift is too great.
  - 3) Foot valve is either not submerged, buried in the mud or plugged.
- c) **Pump loses prime:**
  - 1) Air leaks in suction line.
  - 2) Well draw down too far.
  - 3) Faulty foot valve.
- d) **Pump delivers water but not at rated capacity:**
  - 1) Leaks in suction or discharge line.
  - 2) Foot valve, suction line, impeller or nozzle are partially plugged.
  - 3) Suction lift is greater than recommended.
  - 4) Improper impeller rotation or low speed.
  - 5) Venturi or diffuser is plugged.
  - 6) Motor is wired for improper voltage.
  - 7) Motor does not come off starting windings (improper motor switch adjustment).
- e) **Pump starts and stops too often:**
  - 1) Faulty air volume control.
  - 2) Air leaks in tank above the water level.
  - 3) Incorrect setting on pressure switch.
  - 4) Tank is water logged or too small for application.

## LIMITED WARRANTY

For warranty consideration, Franklin Electric Company, Inc. and its subsidiaries (hereafter "the Company") warrants that the products specified in this warranty are free from defects in material or workmanship of the Company. During the time periods and subject to the terms and conditions hereinafter set forth, the Company will repair or replace to the original user or consumer any portion of this product which proves defective due to materials or workmanship of the Company. At all times the Company shall have and possess the sole right and option to determine whether to repair or replace defective equipment, parts, or components. The Company has the option to inspect any product returned under warranty to confirm that the warranty applies before repair or replacement under warranty is approved. This warranty sets forth the Company's sole obligation and purchaser's exclusive remedy for defective product. Return defective product to the place of purchase for warranty consideration.

**WARRANTY PERIOD - PRODUCTS:** 24 months from date of purchase by the user (No warranty on brushes, impeller or cam on models with brush-type motors and/or flex-vane impellers). In the absence of suitable proof of the purchase date, the effective period of this warranty will begin on the product's date of manufacture.

**LABOR, ETC. COSTS:** The Company shall IN NO EVENT be responsible or liable for the cost of field labor or other charges incurred by any customer in removing and/or affixing any product, part or component thereof.

**PRODUCT IMPROVEMENTS:** The Company reserves the right to change or improve its products or any portions thereof without being obligated to provide such a change or improvement for units sold and/or shipped prior to such change or improvement.

**GENERAL TERMS AND CONDITIONS:** This warranty shall not apply to damage due to acts of God, normal wear and tear, normal maintenance services and the parts used in connection with such service, lightning or conditions beyond the control of the Company, nor shall it apply to products which, in the sole judgment of the Company, have been subject to negligence, abuse, accident, misapplication, tampering, alteration; nor due to improper installation, operation, maintenance or storage; nor to excess of recommended maximums as set forth in the instructions.

Warranty will be VOID if any of the following conditions are found:

1. Product is used for purposes other than those for which it was designed and manufactured
2. Product not installed in accordance with applicable codes, ordinances and good trade practices
3. Product connected to voltage other than indicated on nameplate
4. Pump used to circulate anything other than fresh water at approximately room temperature
5. Pump allowed to operate dry (fluid supply cut off)
6. Sealed motor housing opened or product dismantled by customer
7. Cord cut off to a length less than three feet

**DISCLAIMER:** Any oral statements about the product made by the seller, the Company, the representatives or any other parties, do not constitute warranties, shall not be relied upon by the user, and are not part of the contract for sale. Seller's and the Company's only obligation, and buyer's only remedy, shall be the replacement and/or repair by the Company of the product as described above. NEITHER SELLER NOR THE COMPANY SHALL BE LIABLE FOR ANY INJURY, LOSS OR DAMAGE, DIRECT, INCIDENTAL OR CONSEQUENTIAL (INCLUDING, BUT NOT LIMITED TO, INCIDENTAL OR CONSEQUENTIAL DAMAGES FOR LOST PROFITS, LOST SALES, INJURY TO PERSON OR PROPERTY, OR ANY OTHER INCIDENTAL OR CONSEQUENTIAL LOSS), ARISING OUT OF THE USE OR THE INABILITY TO USE THE PRODUCT, AND THE USER AGREES THAT NO OTHER REMEDY SHALL BE AVAILABLE TO IT. Before using, the user shall determine the suitability of the product for his intended use, and user assumes all risk and liability whatsoever in connection therewith. THE WARRANTY AND REMEDY DESCRIBED IN THIS LIMITED WARRANTY IS AN EXCLUSIVE WARRANTY AND REMEDY AND IS IN LIEU OF ANY OTHER WARRANTY OR REMEDY, EXPRESSED OR IMPLIED, WHICH OTHER WARRANTIES AND REMEDIES ARE HEREBY EXPRESSLY EXCLUDED, INCLUDING BUT NOT LIMITED TO ANY IMPLIED WARRANTY OF MERCHANTABILITY OR FITNESS FOR A PARTICULAR PURPOSE, TO THE EXTENT EITHER APPLIES TO A PRODUCT SHALL BE LIMITED IN DURATION TO THE PERIODS OF THE EXPRESSED WARRANTIES GIVEN ABOVE. Some states and countries do not allow the exclusion or limitations on how long an implied warranty lasts or the exclusion or limitation of incidental or consequential damages, so the above exclusion or limitations may not apply to you. This warranty gives you specific legal rights, and you may also have other rights which vary from state to state and country to country.

**Toll Free Help Hotline:  
1-800-667-1457**

RED LION  
51 Burmac Road, P.O. Box 429  
Winnipeg, Manitoba, Canada  
R3C 3E4

Phone: (877) 337-2650  
Fax: (204) 255-5214  
[www.redlionproducts.com](http://www.redlionproducts.com)

**RED LION**

## ⚠️ CONSIGNES DE SÉCURITÉ



**AVANT D'INSTALLER OU D'UTILISER CETTE POMPE, PRIÈRE DE LIRE LE PRÉSENT GUIDE ET SUIVRE TOUTES LES RÈGLES DE SÉCURITÉ ET INSTRUCTIONS D'UTILISATION.**

### ⚠️ SÉCURITÉ

LIRE ATTENTIVEMENT LES AVIS DE SÉCURITÉ SE TROUVANT DANS LE PRÉSENT MANUEL ET SUR LA POMPE.

### ⚠️ MISES EN GARDE

Passez les instructions en revue avant d'utiliser la pompe.

### ⚠️ AVERTISSEMENT

#### - PRÉCAUTIONS ÉLECTRIQUES

Tous câblage, connexions électriques et mise à la terre des systèmes doivent se conformer au Code National d'Electricité (NEC) et aux codes et ordonnances locaux. Employez un électricien autorisé.

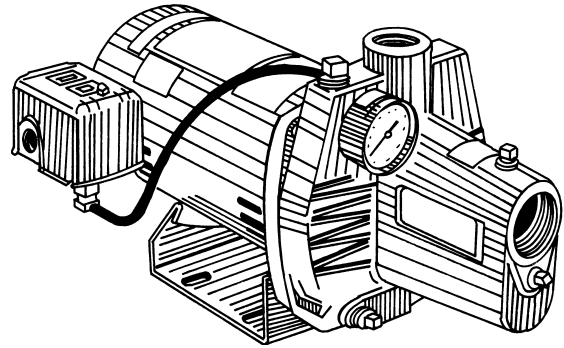
### ⚠️ POUR LES MOTEURS BI-TENSION:

Les instructions pour changer la tension sont sur l'étiquette du moteur ou sur le couvercle d'accès aux files électriques.

### ⚠️ AVERTISSEMENT

#### - RISQUE DE CHOC ÉLECTRIQUE

- Faire appel à un électricien pour l'alimentation électrique du moteur.
- L'usage d'un circuit protégé par un interrupteur de masse définitive (IMD) est recommandé avec tout appareil électrique fonctionnant dans l'eau ou à proximité de celle-ci.
- Le Tableau 1 indique les câbles recommandés.
- Faire appel à un électricien pour l'alimentation électrique du moteur.
- Le moteur doit être mis à la terre et le couvercle des bornes correctement installé afin de réduire les risques d'électrocution.
- Garder la zone de travail aussi sèche que possible.
- Toujours couper l'alimentation avant de procéder à l'entretien.
- Cette pompe n'est pas conçue pour être utilisée dans une piscine.

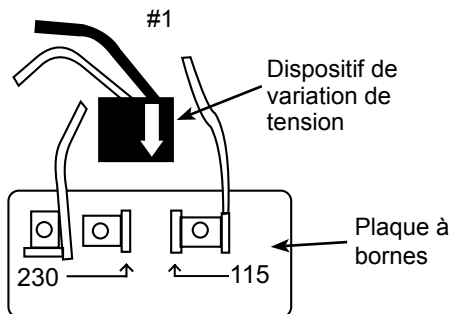


## APPLICATION

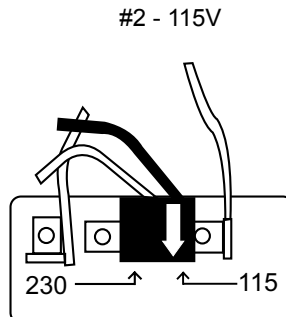
La pompe à jet pour puits peu profond est idéale pour approvisionner en eau fraîche les résidences rurales, les fermes et les chalets. Cette pompe convient aux installations dont la distance verticale entre la pompe et le niveau de l'eau ne dépasse pas 25 pi.\* (7,6 m), compte tenu de la dépression du niveau d'eau. Pour ce qui est des installations décalées, il faut tenir compte des pertes de charge dans la conduite d'aspiration. (Voir le Tableau 2, Diagramme de perte de charge)

\* Hauteur réduite aux altitudes élevées.

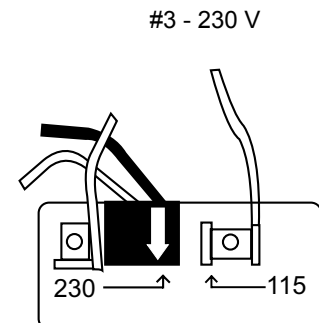
## DIRECTIVES DE CÂBLAGE DE TENSION



Dans la figure 1, l'interrupteur du moteur est montré avant que le dispositif de variation de tension soit abaissé sur les bornes de tension.



Dans la figure 2, l'interrupteur du moteur est réglé à 115V. Le dispositif noir de variation de tension est abaissé sur les bornes avec la flèche blanche sur le dispositif de variation de tension pointant directement vers la pointe de la flèche de la plaque à bornes à 115V.



Dans la figure 3, l'interrupteur du moteur est réglé à 230V. Le dispositif noir de variation de tension est abaissé sur une seule borne avec la flèche blanche sur le dispositif de variation de tension pointant directement vers la pointe de la flèche de la plaque à bornes à 230V.

**REMARQUE:** LES FILS BLANCS SUR L1 ET L2 NE DOIVENT PAS ÊTRE ENLEVÉS



## RENDEMENT

Gallons É.-U. par minute à 30 lb/po <sup>2</sup> Hauteur d'élévation en pi.-Voir ci-dessous.					
CV POMPE	5'	10'	15'	20'	25'
1/3	9.7	8.3	7.0	5.6	4.1
1/2	12.3	11.0	9.6	7.8	5.5
3/4	15.8	13.7	11.3	9.3	7.0
1	23.2	20.1	17.4	14.2	10.4
1/2 HP High Press.	8.6	7.6	6.3	5.1	3.6

Litres par minute à 30 lb/po <sup>2</sup> et hauteur totale d'élévation en mètres -Voir ci-dessous.					
CV POMPE	1.5m	3.0m	4.5m	6.0m	7.5m
1/3	36.7	31.4	26.5	21.2	15.5
1/2	46.6	41.7	36.4	29.5	20.8
3/4	59.8	51.9	42.8	35.2	26.5
1	87.8	76.0	65.8	53.7	39.4
1/2 HP High Press.	32.6	28.6	23.9	19.3	13.6

## INSTALLATION

- Emplacement de la pompe:** La pompe doit être installée en un endroit propre, sec et aéré, suffisamment spacieux pour procéder à son dépannage et pour la protéger du gel. Elle sera boulonnée sur une fondation solide, en béton de préférence et devra être en mesure d'assurer un drainage adéquat. Son installation aussi près que possible de la source d'eau diminue le frottement dans la conduite d'aspiration et permet d'en pousser au maximum les capacités de rendement.
- Conduite d'aspiration:** Nous vous recommandons de n'employer que des conduites ou tuyaux propres et neufs de 1-1/4 po. Si vous installez la pompe à une distance appréciable, quelle qu'elle soit, de la source d'eau, la conduite d'aspiration sera élargie jusqu'à 1-1/2 po. Les sections horizontales de tuyauterie seront graduellement inclinées vers le haut depuis la source d'eau jusqu'à la pompe, pour éviter la formation de poches d'air dans la canalisation. Un enduit pour filetage couvrira tous les joints et les raccords seront fortement serrés. Un clapet de pied doit être installé et vérifié du fait qu'une fuite pourrait empêcher le fonctionnement normal du système. Assurez-vous que le clapet de pied soit constamment submergé. Si une pointe filtrante (ou un puits instantané) est employée, installez un clapet de non retour, au lieu d'un clapet de pied, à proximité de la source d'aspiration de la pompe (Voyez l'illustration 2b). Toutes les installations doivent avoir un clapet de pied et une soupape de retenue dans le tuyau d'aspiration.
- Raccordement de la pompe au réservoir:** La conduite de refoulement de la pompe au réservoir devrait être aussi courte et directe que possible et son diamètre devrait être le même que celui de l'orifice de refoulement de la pompe. Il ne faudrait jamais installer un clapet de retenue entre la pompe et le réservoir.
- Branchement d'eau:** Il faudrait raccorder le branchement d'eau comme l'indiquent les fig. 2a, b, c ou d. Le diamètre de la conduite de branchement d'eau est en rapport direct avec le volume d'eau requis et la longueur de la conduite elle-même. Le diamètre de la conduite choisie devrait être assez grand pour que la hauteur de la perte de charge (établie à l'aide du tableau 2, Diagramme de perte de charge) ne dépasse jamais plus de 20 pi. (6 m).

## AVERTISSEMENT - PRÉCAUTIONS ÉLECTRIQUES

Tous câblage, connexions électriques et mise à la terre des systèmes doivent se conformer au Code National d'Electricité (NEC) et aux codes et ordonnances locaux. Employez un électricien autorisé.

## AVERTISSEMENT - RISQUE DE CHOC ÉLECTRIQUE

- Câblage:** L'emploi d'un électricien est recommandé pour câbler et connecter le service électrique à la pompe. Le manostat est câblé en usine au moteur et sa tension de câblage indiquée sur un collant lorsqu' applicable. Veillez à ce que cette tension soit la même que celle du courant d'alimentation. Vérifiez les directives pour modification de tension sur la plaque signalétique du moteur ou à l'intérieur du couvre-borne. Les lignes de courant de secteur seront connectées aux bornes du manostat marquées "Line" (Secteur). (Voyez illustr. 1). Nous vous recommandons également d'acheminer un circuit séparé entre le panneau de distribution et la pompe. L'usage d'un GFI ou circuit protégé par un interrupteur de masse défectueuse (IMD) est recommandé avec tout appareil électrique fonctionnant dans l'eau ou à proximité de celle-ci. Installez un disjoncteur à fusible approprié dans la ligne secteur et veillez à ce que le câble soit de dimension adéquate et qu'il soit bien isolé. L'emploi d'un fil trop petit entre le moteur et la source de courant limitera les capacités de démarrage et de charge du moteur. On recommande des grosseurs minimales pour les fils des circuits de dérivation du moteur (Tableau 1). Il sera préférable, pour ajouter encore à la sécurité, de mettre la pompe et le moteur à la masse sur le cuvelage du puits ou de les mettre à la terre dans le panneau de distribution.
- Manomètre:** Si un manomètre est fourni avec la pompe ou si vous désirez en l'installer un, il doit correspondre à l'orifice de 1/4 po NPT se trouvant sur la partie avant du boîtier, directement à côté de l'orifice de refoulement.
- Commande du volume d'air:** Si une installation sous pression n'est pas munie d'un réservoir à pression constante, il faut installer une commande du volume d'air pour préserver une couche d'air dans le réservoir sous pression. Consultez le manuel fourni par le fabricant du réservoir à pression.
- Soupape de décharge :** Une soupape de sécurité de décharge haute pression devrait être installée à un point quelconque du réseau d'alimentation. Veillez à la placer à proximité de la décharge de la pompe, dans un endroit pouvant offrir un drainage adéquat. Assurez-vous de la diriger de telle manière qu'aucun écoulement d'eau, aussi puissant soit-il, ne puisse éclabousser un dispositif électrique, quel qu'il soit.

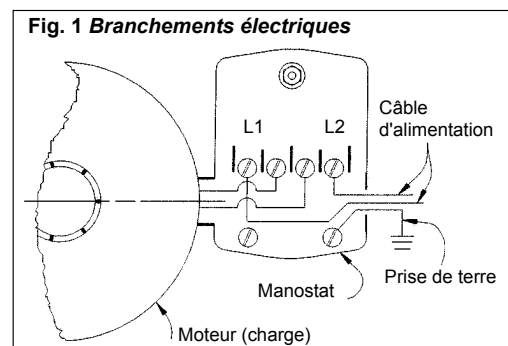


TABLEAU 1 - LONGUEUR MAXIMALE DES FILS (EN PIEDS)

C.V.	Moteur Volts	Jauge (américaine) des fils				
		0-25 pi	50 pi	100 pi	150 pi	200 pi
1/3	115	14	14	14	12	10
1/2	115	14	14	12	10	8
3/4	115	14	14	10	8	8
	230	14	14	14	14	12
1	115	14	12	10	8	6
	230	14	14	14	14	12

Basée sur une baisse de voltage approximative de 3%.



## TABLEAU 2 - DIAGRAMME DE PERTE DE CHARGE DES CONDUITES DE PLASTIQUE\*

Perte de hauteur totale de charge en pieds, causée par le frottement (100 pieds de conduite.)

Diamètre nominal de conduite Gal. US/min.	3/4"	1"	1"-1/4"	1-1/2"	2"
4	3.75	1.15	0.30	0.14	–
5	5.66	1.75	0.46	0.22	–
6	7.95	2.45	0.65	0.31	–
7	10.60	3.25	0.86	0.41	–
8	13.50	4.16	1.10	0.52	–
9	16.80	5.17	1.35	0.65	–
10	20.40	6.31	1.67	0.79	0.23
11	24.40	7.58	1.98	0.95	0.27
12	28.60	8.85	2.33	1.10	0.32
14	38.00	11.80	3.10	1.46	0.43
16	48.60	15.10	3.96	1.87	0.55
18	60.50	18.70	4.93	2.33	0.69
20	73.50	22.80	6.00	2.83	0.84

Perte de hauteur totale de charge en mètres, causée par le frottement (par 100 mètres de conduite.)

Diamètre nominal de conduite L/Min.	20mm	25mm	32mm	40mm	50mm
15	3.7	1.15	0.30	0.13	–
20	5.3	1.64	0.43	0.19	–
25	7.1	2.18	0.56	0.27	–
30	13.5	4.13	1.08	0.49	–
35	16.3	5.00	1.31	0.61	–
40	23.5	7.30	1.90	0.88	0.25
45	28.3	8.74	2.31	1.07	0.29
50	34.2	10.60	2.79	1.32	0.38
55	40.7	12.60	3.32	1.56	0.46
60	48.1	14.90	3.92	1.85	0.54
65	55.7	17.30	4.45	2.15	0.63
70	63.8	19.70	5.20	2.46	0.73
75	72.2	22.40	5.89	2.78	0.83

Dans le cas de conduites d'acier galvanisé, doublez les chiffres ci-dessous.

## INSTALLATIONS CARACTÉRISTIQUES

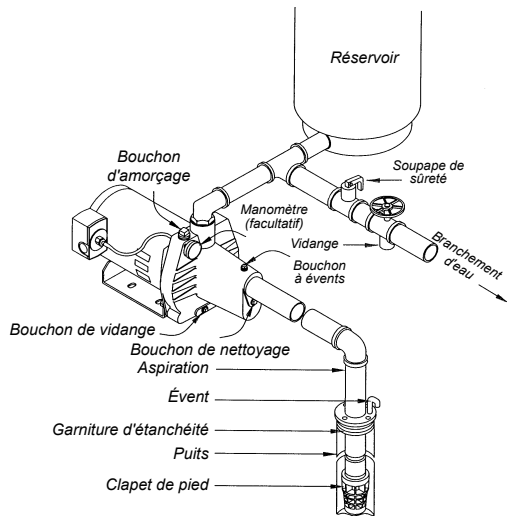


Fig.2a Puits peu profond (AVEC CLAPET DE PIED)

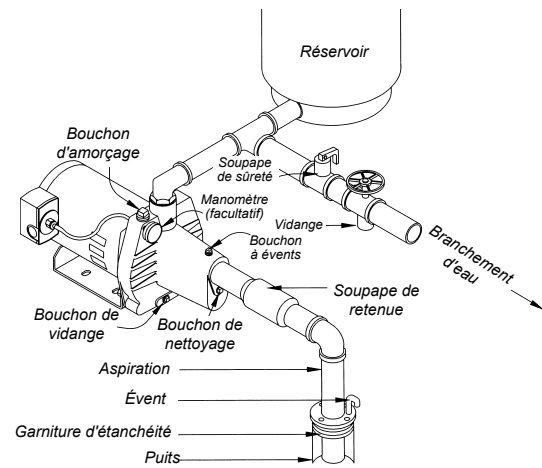


Fig.2b Puits peu profond (AVEC SOUPAPE DE RETENUE EN LIGNE)

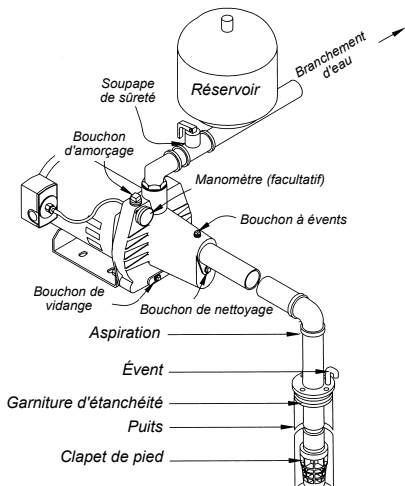


Fig.2c Puits peu profond-RÉSÉROIR EN LIGNE (AVEC CLAPET DE PIED)

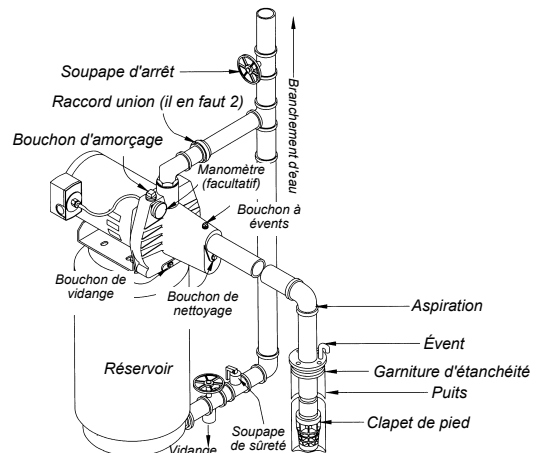


Fig.2d Puits peu profond - SYSTÈME MONTÉ SUR LE RÉSERVOIR (AVEC CLAPET DE PIED)

## FONCTIONNEMENT

**AVERTISSEMENT : DE NE PAS FAIRE FONCTIONNER LA POMPE À SEC AVANT L'AMORÇAGE, SINON LE JOINT D'ÉTANCHÉITÉ ET LA ROUE DE TURBINE SERAIENT ENDOMMAGÉS DE FAÇON PERMANENTE.**

### AMORÇAGE

**REMARQUE :** La quantité d'eau doit être suffisante pour remplir la conduite d'aspiration et le boîtier de la pompe. Le temps d'amorçage est fonction de la distance allant de la source d'eau à la pompe [5-15 min.].

#### Utilisation d'un clapet anti-retour sur conduite :

1. Ouvrir le clapet de refoulement se trouvant sur la conduite de raccordement et près du robinet pour surveiller le débit d'eau.
2. Verser de l'eau propre dans l'orifice situé sur le dessus du boîtier et où sera installé ultérieurement le bouchon d'amorçage [orifice d'amorçage], jusqu'à ce que l'eau commence à sortir de l'orifice destiné à recevoir le bouchon à événements.
3. Installer le bouchon à événements fourni, et serrer modérément à l'aide d'une clé.
4. Continuer à remplir la pompe jusqu'à ce que l'eau sorte par l'orifice d'amorçage.
5. Installer le bouchon d'amorçage fourni, et serrer à la main.
6. Mettre la pompe en marche. Si celle-ci est munie d'un robinet visible, il est possible que vous observiez un refoulement de courte durée [5-10 secondes].
7. Faire fonctionner la pompe pendant 2 minutes, puis l'arrêter. Retirer le bouchon à événements et le bouchon d'amorçage.
8. Vous avez terminé le premier cycle d'amorçage qui consiste des étapes 2 à 7. Ce processus devra être répété de 2 à 6 fois, selon la longueur de votre conduite d'aspiration. [Environ un cycle d'amorçage pour chaque longueur de 5 pieds de conduite d'aspiration]. Vous interrompez le processus quand la pompe commence à pomper de l'eau de façon continue.
9. À ce moment, bien serrer le bouchon à événements et le bouchon d'amorçage au moyen d'une clé.
10. Si la pompe ne pompe pas d'eau après 8 essais, couper son fonctionnement et vérifier la tuyauterie d'aspiration afin de s'assurer qu'il n'y a aucune fuite.

#### Utilisation d'un clapet de pied :

1. Ouvrir le clapet de refoulement se trouvant sur la conduite de raccordement et près du robinet, pour surveiller le débit d'eau.
2. Verser de l'eau propre dans l'orifice situé sur le dessus du boîtier et où sera installé ultérieurement le bouchon d'amorçage [orifice d'amorçage], jusqu'à ce que la conduite d'aspiration soit remplie et que l'eau commence à sortir par l'orifice destiné à recevoir le bouchon à événements. Vous aurez besoin d'environ un litre d'eau pour chaque longueur de 3 pieds de conduite d'aspiration.
3. Suivre les étapes 3 à 6 ci-dessus. Si la pompe ne pompe pas d'eau continuellement après 2 minutes, il faut l'arrêter, retirer le bouchon à événements/le bouchon d'amorçage et répéter les étapes 2 à 6 ci-dessus. En cas d'échec, arrêter la pompe et vérifier la tuyauterie d'aspiration afin de s'assurer qu'il n'y a aucune fuite.
4. Une fois que la pompe commence à pomper de l'eau de façon continue, bien serrer le bouchon à événements et le bouchon d'amorçage au moyen d'une clé.

### DRAINAGE

Une conduite éventuellement gelée exigera le drainage de la pompe et du réservoir. À cet effet, éteignez l'arrivée de courant à la pompe, depuis le panneau de commandes électriques principal. Ouvrez un robinet dans le système pour en libérer la pression. Enlevez du carter de pompe le drain et les bouchons de drainage et de remplissage. Enlevez le bouchon de drainage du réservoir, le cas échéant. Prévoyez suffisamment de temps pour le drainage du système avant de remettre les bouchons.

## ENTRETIEN

**AVERTISSEMENT**

### - RISQUE DE CHOC ÉLECTRIQUE

Avant d'entretenir ou de réparer n'importe quel appareil à moteur, vous devez couper le courant au panneau électrique principal et déconnecter le moteur et les accessoires. Durant ce genre de travaux, il faut toujours travailler prudemment.

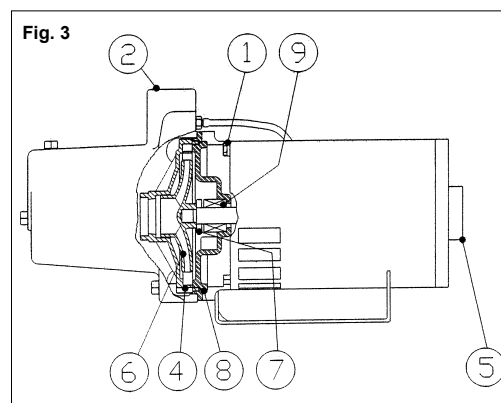
- a) **Lubrification:** Inutile pour la pompe. Référez-vous aux directives du fabricant du moteur pour la lubrification de celui-ci.
- b) **Obturbateur de regard de vidange:** Lorsque l'encrassement présente un problème, la bonde filetée de 1/4 po NPT fournie permet un accès facile, pour le nettoyage, à l'ouverture venturi. Cette bonde est située directement sous l'obturbateur du regard de vidange, dans le devant du carter. **IMPORTANT ! Avant de retirer ce bouchon de vidange, éteignez l'arrivée de courant à la pompe depuis le panneau principal de commandes électriques. Ouvrez un robinet dans le système pour en libérer la pression.**
- c) **Remplacement du joint étanche mécanique (Voyez illustr. 3).** Seuls des professionnels extrêmement qualifiés pourront procéder à l'entretien ou au dépannage d'appareils ou dispositifs électriques.

#### Démontage:

- 1) Éteignez l'arrivée de courant à la pompe depuis le panneau principal de commandes électriques et déconnectez le moteur.
- 2) Ouvrez un robinet dans le système pour en libérer la pression.
- 3) Enlevez le drain et les bouchons pour permettre le drainage de la pompe.
- 4) Débranchez le tube menant au manostat.
- 5) Enlevez les 4 boulons (1) puis le carter de pompe (2).
- 6) Forcez le diffuseur (4) hors du carter au moyen de deux tournevis à tête fendue en guise de leviers.
- 7) Enlevez le couvercle (5); insérez un tournevis pour empêcher l'arbre de tourner pendant le dévissage de la roue (6) [moteurs GE]; S'il s'agit de moteurs de marque A.O. Smith, enlevez le couvercle arrière au moyen d'une clé plate insérée sur le côté, à travers l'ouverture d'extrémité du carter de pompe. La roue est filetée à main droite. Si elle ne parvient pas à tourner manuellement, insérez un objet plat dans son aube.
- 8) Glissez le joint étanche rotatif (7) sur l'arbre et enlevez la plaque d'étanchéité (8).
- 9) Enlevez le siège de céramique du joint d'étanchéité (9) de la plaque de joint.

#### Remontage:

- 1) Nettoyez consciencieusement toutes les pièces enlevées avant de les remonter.
- 2) Lubrifiez légèrement (à l'eau savonneuse) la calotte de



caoutchouc de l'embase de céramique (9) et enfoncez-la, avec les pouces seulement, dans la plaque du joint. Veillez à ce que la surface lisse du siège de l'embase de céramique soit tournée vers l'extérieur.

**AVIS :** Si la pompe demeure inutilisée une ou plusieurs semaines, les composantes étanches seront installées sèches (non lubrifiées).

- 3) Remontez la plaque d'étanchéité sur le moteur.
- 4) Lubrifiez légèrement (à l'eau savonneuse) la partie pivotante (7) de la garniture d'étanchéité et glissez-la sur l'arbre, "bague du charbon" tournée vers l'extérieur du siège de l'embase de céramique.
- 5) Remontez la roue motrice (6) et le diffuseur (4).
- 6) Remontez le carter (2); en vous assurant que le Venturi soit posé de manière appropriée et que le joint n'est pas endommagé, avant de le reposer.
- 7) Remontez les tubes dans le carter et le manostat.
- 8) Rebranchez le courant.
- 9) Amorcez la pompe, mettez-la en marche, sans omettre de vérifier les fuites possibles.

## GUIDE DE DÉPANNAGE

- a) **Le moteur ne démarre as:**
  - 1) Le manostat ne fonctionne pas en raison de fusibles sautés, d'interrupteurs ouverts ou de mauvais branchements.
  - 2) Le manostat de la pompe est ouvert.
- b) **Aucun pompage:**
  - 1) La pompe n'est pas bien amorcée.
  - 2) La hauteur d'aspiration est trop élevée.
  - 3) Immersion incomplète, enfouissement dans la boue ou colmatage du clapet de pied.
- c) **Perte d'amorçage:**
  - 1) Fuites d'air dans la conduite d'aspiration.
  - 2) Le pompage entraîne une trop grande dépression du niveau d'eau.
  - 3) Le clapet de pied est défectueux.
- d) **La pompe refoule l'eau à un débit insuffisant:**
  - 1) Fuites dans les canalisations d'aspiration ou de refoulement.
  - 2) Obstruction partielle du clapet de pied, de la conduite d'aspiration, de la roue ou de la buse.
  - 3) Hauteur d'aspiration trop élevée.
  - 4) Mauvaise rotation de la roue ou régime trop faible.
  - 5) Le venturi ou le diffuseur est bouché.
  - 6) Le moteur est câblé pour une tension non appropriée.
  - 7) Le moteur ne parvient pas à se libérer de la phase d'enroulements de démarrage (Réglage non approprié de l'interrupteur de moteur).
- e) **Démarrage et arrêt trop fréquents de la pompe:**
  - 1) Commande du volume d'air défectueuse.
  - 2) Fuite d'air dans le réservoir au-dessus du niveau de l'eau.
  - 3) Mauvais réglage du manostat.
  - 4) Le réservoir est saturé d'eau ou trop petit pour l'application choisie.

## GARANTIE LIMITÉE

Lors des requêtes en garantie, Franklin Electric Company, Inc. et ses filiales (ci-après appelée « l'Entreprise ») garantit les produits spécifiés dans cette garantie contre tout défaut de matériaux et de main-d'œuvre. Pendant les périodes couvertes par la garantie et selon les conditions indiquées dans la présente, l'Entreprise réparera ou remplacera toute partie de ce produit présentant une défaillance liée aux matériaux ou à la main-d'œuvre, et ce uniquement auprès du premier utilisateur ou acheteur. En tout temps, l'Entreprise conserve le droit et l'option de déterminer si un équipement, des pièces ou des composants défectueux doivent être réparés ou remplacés. L'Entreprise peut inspecter tout produit sous garantie qui lui est retourné afin de confirmer que la garantie s'applique, avant d'approuver la réparation ou le remplacement. Cette garantie stipule l'unique obligation de l'Entreprise et le recours exclusif de l'acheteur pour un produit défectueux. Retourner le produit défectueux au détaillant pour les requêtes en garantie.

**PÉRIODE DE GARANTIE – PRODUITS :** 24 mois à partir de la date d'achat par l'utilisateur. (Aucune garantie n'est offerte pour les balais, le rotor ou la came sur les modèles avec moteur à balais et/ou rotor flexible à palettes.) En l'absence d'une preuve adéquate de la date d'achat, la période d'application commencera à partir de la date de fabrication.

**COÛTS DE MAIN-D'ŒUVRE, ETC. :** EN AUCUN CAS l'Entreprise ne pourra être tenue responsable du coût de la main-d'œuvre ou d'autres frais encourus par un client lors de la dépose et/ou de la réparation d'un produit, d'une partie ou d'un composant.

**AMÉLIORATIONS DU PRODUIT :** L'Entreprise se réserve le droit de modifier ou d'améliorer ses produits, ou une quelconque de leur partie, sans obligation de fournir une telle modification ou amélioration aux appareils déjà vendus et/ou expédiés avant que de telles modifications ou améliorations n'aient été apportées.

**CONDITIONS ET MODALITÉS GÉNÉRALES :** Cette garantie ne couvre pas les dommages causés par une catastrophe naturelle, l'usure normale, la foudre ou des conditions hors du contrôle de l'Entreprise; et elle ne couvre pas non plus les services d'entretien normaux et aux pièces usées associés à un tel service, ni les produits qui, selon le jugement exclusif de l'Entreprise, ont été exposés à la négligence, l'abus, un accident, une application inappropriée, une altération, une modification; ni aux dommages causés par une installation, une utilisation, un entretien ou un entreposage inadéquat; ni à une utilisation au-delà des maximums. La garantie est NULLE si l'une des conditions suivantes s'applique :

1. Le produit est utilisé pour des applications autres que celles pour lesquelles il a été conçu et fabriqué.
2. Le produit n'est pas installé dans le respect des codes et règlements applicables et selon les bonnes pratiques acceptées dans l'industrie.
3. Le produit a été branché à une tension autre que celle indiquée sur la plaque signalétique.
4. La pompe a été utilisée avec des liquides autres que de l'eau douce approximativement à la température ambiante.
5. La pompe a fonctionné à sec (alimentation en liquide coupée).
6. Le carter moteur scellé a été ouvert ou le produit a été démonté par le client.
7. Le cordon a été coupé à une longueur inférieure à 0,9 m (3 pieds).

**AVIS DE NON-RESPONSABILITÉ :** Toute déclaration verbale portant sur le produit, faite par le vendeur, l'Entreprise, les représentants ou toute autre partie ne constitue pas une garantie et ne peut être considérée par l'utilisateur comme faisant partie du contrat de vente. La seule obligation du vendeur ou de l'Entreprise et le seul recours de l'acheteur est le remplacement et/ou la réparation du produit par l'Entreprise, comme il est décrit ci-dessus. **LE VENDEUR OU L'ENTREPRISE NE PEUT ÊTRE TENU RESPONSABLE POUR TOUTE BLESSURE, PERTE OU DOMMAGE DIRECT, INDIRECT OU CONSÉCUTIF (INCLUANT MAIS SANS S'Y LIMITER LES DOMMAGES INDIRECTS OU CONSÉCUTIFS LIÉS À UNE PERTE DE PROFITS, UNE PERTE DE VENTES, DES BLESSURES OU DES DOMMAGES MATÉRIELS, OU TOUT AUTRE INCIDENT OU PERTE CONSÉCUTIVE), RÉSULTANT DE L'UTILISATION OU DE L'IMPOSSIBILITÉ D'UTILISER LE PRODUIT; DE PLUS, L'UTILISATEUR ACCEPTE QU'AUUCUN AUTRE RECOURS N'EST DISPONIBLE.** Avant de commencer à utiliser le produit, l'utilisateur doit déterminer si ce produit est adapté à l'usage prévu; et l'utilisateur assume tous les risques et toutes les responsabilités qui sont liés à cette utilisation. **LA GARANTIE ET LES MESURES CORRECTIVES DÉCRITES DANS LA PRÉSENTE GARANTIE LIMITÉE CONSTITUENT UNE GARANTIE ET DES MESURES CORRECTIVES EXCLUSIVES EN LIEU ET PLACE DE TOUTE AUTRE GARANTIE ET MESURE CORRECTIVE, EXPRESSE OU IMPLICITE; ET TOUTE AUTRE GARANTIE ET MESURE CORRECTIVE EST EXPRESSÉMENT EXCLUE, INCLUANT, MAIS SANS S'Y LIMITER, TOUTE GARANTIE IMPLICITE DE QUALITÉ MARCHANDE OU D'ADAPTATION À UN USAGE PARTICULIER.** Certaines juridictions et certains pays interdisent les exclusions ou les limitations de durée d'une garantie implicite ou l'exclusion ou la limitation des dommages indirects ou consécutifs; les limitations ou exclusions ci-dessus pourraient donc ne pas s'appliquer à votre cas. Cette garantie vous donne des droits légaux spécifiques et vous pourriez également jouir d'autres droits qui varient selon la juridiction ou le pays.

**SERVICE A LA CLIENTELE:  
Ligne directe à 1-800-667-1457**

RED LION  
51 Burmac Road, P.O. Box 429  
Winnipeg, Manitoba, Canada  
R3C 3E4

Fax: (204) 255-5214  
[www.redlionproducts.com](http://www.redlionproducts.com)

**RED LION**

# Bombas a Chorro Autocargables Para Pozo Poco Profundo

## ADVERTENCIAS DE SEGURIDAD



**LEA ESTE MANUAL Y SIGA TODAS LAS REGLAS DE SEGURIDAD ANTES DE INSTALAR U OPERAR ESTA BOMBA.**

### SEGURO

LEA CUIDADOSAMENTE ESTOS MENSAJES DE SEGURIDAD EN ESTE MANUAL Y EN LA BOMBA.

### CUIDADO

Revise cuidadosamente las instrucciones antes de usarla.

### AVISO - PRECAUCIONES ELÉCTRICAS

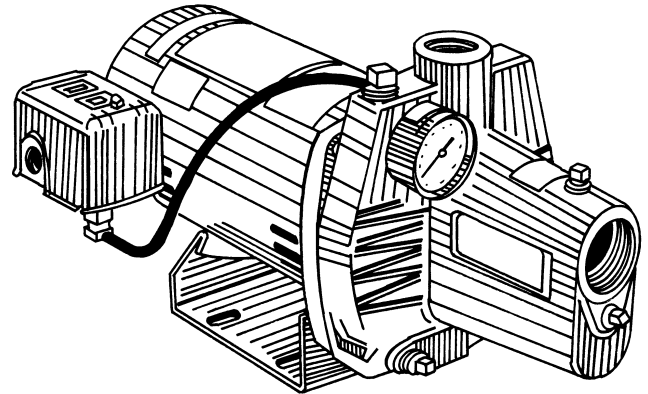
Todo cableado, conexiones eléctricas y sistemas de contacto a tierra deben cumplir con el Código Eléctrico Nacional (NEC) y con cualquier código y ordenanza local. Contrate los servicios de un electricista con licencia.

### PARA MOTORES DE DOS VOLTIOS:

Las instrucciones por el cambio de voltio estan sobre la etiqueta del motor o la cubierta del alambrado.

### AVISO - RIESGO DE DESCARGA ELÉCTRICA

- Haga que un electricista le conecte la electricidad al motor.
- Se recomienda se use un circuito protegido con interruptor por falla a tierra (GFI) con cualquier dispositivo que se opere cerca del agua.
- Vea en la Tabla 1 el tamaño de cable recomendado.
- El motor debe estar conectado a tierra y la tapa del terminal debe estar en su sitio para reducir el riesgo de una descarga eléctrica.
- Mantenga el área de operación del motor tan seca como sea posible.
- Desconecte siempre la electricidad antes de darle servicio.
- No se ha investigado su uso en el área de albercas o piscinas.

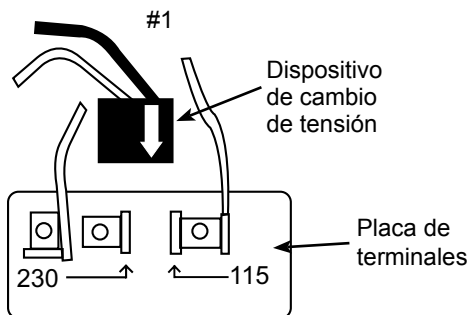


## APLICACIÓN

La bomba a chorro para pozo poco profundo es ideal para el abastecimiento de agua potable en casas rurales, granjas, ranchos, y cabañas. Esta bomba es para lugares donde la distancia vertical entre la bomba y el nivel del agua no excede los 25\* pies (7.6 metros) desde el nivel más bajo del agua. En instalaciones donde hay cierta distancia entre el pozo y la bomba, se debe tomar en consideración la pérdida por la fricción en la tubería de aspiración (vea la tabla 2: Tabla de Pérdida por Fricción).

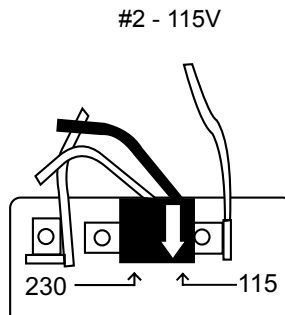
\* Menor a mayores alturas.

## INSTRUCCIONES DE CABLEADO DE TENSIÓN

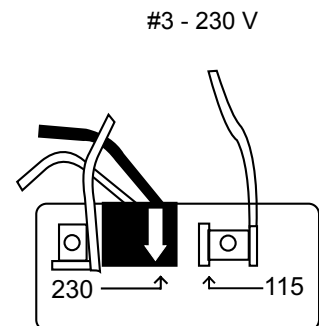


En la figura #1, el interruptor del motor se muestra antes de presionar hacia abajo el dispositivo negro de cambio de tensión sobre los terminales de tensión.

**NOTA:** NO QUITAR LOS CABLES BLANCOS DE L1 Y L2.



En la figura #2, el interruptor del motor está ajustado para 115V. El dispositivo negro de cambio de tensión está presionado hacia abajo sobre ambos terminales con la flecha blanca del dispositivo de cambio de tensión apuntando directamente a la punta de la flecha de 115V de la placa de terminales.



En la figura #3, el interruptor del motor está ajustado para 230V. El dispositivo negro de cambio de tensión está presionado hacia abajo sobre un solo terminal con la flecha blanca del dispositivo de cambio de tensión apuntando directamente a la punta de la flecha de 230V de la placa de terminales.

## REDIMIENTO

Gal. Amer. por minuto, a 30 libras de presión en Altura de Aspiración Total en pies de altura.					
Cardago de bomba	5'	10'	15'	20'	25'
1/3	9.7	8.3	7.0	5.6	4.1
1/2	12.3	11.0	9.6	7.8	5.5
3/4	15.8	13.7	11.3	9.3	7.0
1	23.2	20.1	17.4	14.2	10.4
1/2 HP High Press.	8.6	7.6	6.3	5.1	3.6

Litros por minuto, a 30 libras de presión (PSI) en Altura de Aspiración Total en metros de altura.					
Cardago de bomba	1.5m	3.0m	4.5m	6.0m	7.5m
1/3	36.7	31.4	26.5	21.2	15.5
1/2	46.6	41.7	36.4	29.5	20.8
3/4	59.8	51.9	42.8	35.2	26.5
1	87.8	76.0	65.8	53.7	39.4
1/2 HP High Press.	32.6	28.6	23.9	19.3	13.6

## INSTALACIÓN

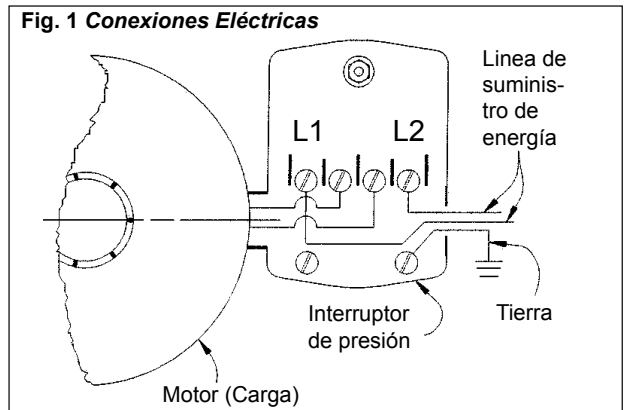
- a) **Ubicación de la Bomba:** La bomba se debe instalar en un área limpia, seca y ventilada que proporcione suficiente espacio para su mantenimiento y protección contra temperaturas de congelamiento. Debe estar sujeta con pernos a una buena base, preferentemente de concreto y con desagüe adecuado. El colocar la bomba lo más cerca posible a la fuente de agua reduce la fricción en la tubería de aspiración y proporcionará las capacidades máximas.
- b) **Tubería de Aspiración:** Se recomienda se use solamente una tubería o manguera nueva, limpia, de 1¼ pulgadas. Si la bomba se instala a una distancia apreciable de la fuente de agua, la tubería de aspiración se debe aumentar a 1½ pulgadas. Las tuberías largas horizontales deben inclinarse gradualmente hacia arriba desde la fuente de agua hacia la bomba para evitar burbujas de aire en la tubería. Se debe usar un compuesto o pegamento para todas las rosas de las uniones de las tuberías, y todas las conexiones se deben ajustar completamente. Se debe instalar una válvula de pie y se debe revisar su funcionamiento, ya que una fuga prevendría el adecuado funcionamiento del sistema. Asegúrese que la válvula de pie esté ubicada de tal manera que esté sumergida en todo momento. Si se usa una base al fondo del pozo, o si es un pozo guiado, instale una válvula de chequeo junto a la aspiración de bomba en lugar de la válvula de pie (fig. 2b). Todas las instalaciones deben tener una válvula de pie o una válvula de chequeo en la tubería de succión.
- c) **Empalmes de la Bomba al Tanque:** La tubería de descarga que va de la bomba al tanque debe ser lo más corta y directa posible, y debe ser del mismo tamaño que la toma de descarga de la bomba. Nunca se debe instalar una válvula de chequeo entre la bomba y el tanque.
- d) **Línea de Servicio:** La línea de servicio debe estar conectada tal como se muestra en la figura 2a, b, c, o d. El tamaño requerido de la línea de servicio depende completamente de la cantidad de agua que se necesite y del largo de la tubería. La tubería que se elija debe ser suficientemente grande para que la pérdida por fricción (determinada de la tabla 2, Tabla de Pérdida por Fricción) nunca exceda los 20 pies (6 metros) de presión.

### ⚠️ AVISO - PRECAUCIONES ELÉCTRICAS

Todo cableado, conexiones eléctricas y sistemas de contacto a tierra deben cumplir con el Código Eléctrico Nacional (NEC) y con cualquier código y ordenanza local. Contrate los servicios de un electricista con licencia.

### ⚠️ AVISO - RIESGO DE DESCARGA ELÉCTRICA

- e) **Cableado:** Se debe emplear a un electricista para hacer el cableado y conectar el servicio eléctrico a la bomba. El interruptor de presión es cableado al motor en la fábrica y el voltaje para el cual el motor está cableado está indicado en una etiqueta en los casos pertinentes. Asegúrese que el motor esté cableado para el mismo voltaje que la fuente de electricidad. Vea en la placa de la marca del motor o en la tapa de terminal interna las instrucciones para cambio de voltaje. Las líneas eléctricas deben estar conectadas a los terminales del interruptor de presión marcados como «línea» (line) (vea la fig. 1.). Se recomienda que se instale un circuito separado desde el panel de distribución hasta la unidad de la bomba. Se recomienda se use un circuito protegido con interruptor por falla a tierra (GFI) con cualquier dispositivo eléctrico que se opere cerca del agua. Instale un interruptor adecuado de desconexión con fusible en la línea y asegúrese que el cableado sea del tamaño adecuado y que esté bien aislado. Cables de menor tamaño entre el motor y la fuente de electricidad limitarán adversamente el encendido y la capacidad de carga del motor. En la tabla 1 se recomiendan los calibres mínimos para los cables de extensión del motor. Para mayor seguridad, la bomba y el motor deben estar conectados a tierra en el casco del pozo o en el panel de distribución.
- f) **Calibrador de Presión:** Si se proporciona un calibrador de presión con la bomba, o si Ud. desea instalar uno, éste se debe instalar en el hueco de ¼" NPT en la parte superior del casco directamente junto a la abertura de descarga.
- g) **Control del Volumen de Aire:** Si no se usa un tanque de presión permanente en el sistema de presión, entonces se debe usar un control de volumen de aire para mantener un colchón de aire en el tanque de presión. Vea las instrucciones en el manual del propietario del tanque de presión.
- h) **Válvula Descargadora de Presión:** Se recomienda que se instale una válvula de seguridad de desfogue de alta presión en algún punto del sistema de agua. Asegúrese que esté ubicada cerca de la descarga de la bomba, en un área con drenaje adecuado. Asegúrese de dirigir la válvula de tal manera que el flujo del agua no pueda salpicar en ningún dispositivo eléctrico.



**TABLA 1 – LARGO MÁXIMO DEL CABLE (PIES)**

Motor		Calibre del Cable (AWG)				
HP	Volts	0-25 ft.	50 ft.	100 ft.	150 ft.	200 ft.
1/3	115	14	14	14	12	10
1/2	115	14	14	12	10	8
3/4	115	14	14	10	8	8
1	115	14	12	10	8	6

Basada en una baja de voltaje aproximada de 3%.

**TABLA 2 -TABLA DE PÉRDIDA POR FRICCIÓN PARA TUBERÍAS DE PLÁSTICO\***

Pérdida de presión en pies, debido a la fricción por 100 pies de tubería.

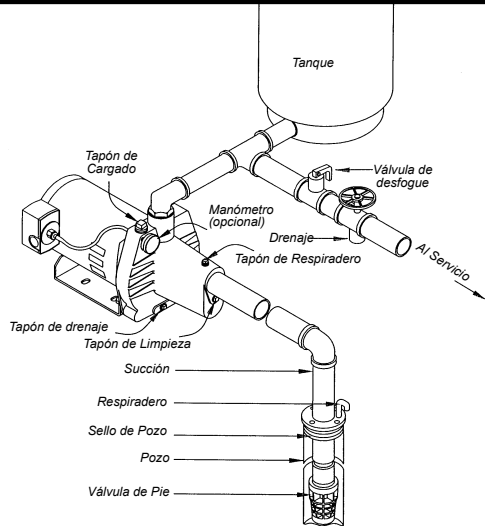
Tamaño Nominal de Tubería Gal. Amer./ Min.	3/4"	1"	1-1/4"	1-1/2"	2"
4	3.75	1.15	0.30	0.14	–
5	5.66	1.75	0.46	0.22	–
6	7.95	2.45	0.65	0.31	–
7	10.60	3.25	0.86	0.41	–
8	13.50	4.16	1.10	0.52	–
9	16.80	5.17	1.35	0.65	–
10	20.40	6.31	1.67	0.79	0.23
11	24.40	7.58	1.98	0.95	0.27
12	28.60	8.85	2.33	1.10	0.32
14	38.00	11.80	3.10	1.46	0.43
16	48.60	15.10	3.96	1.87	0.55
18	60.50	18.70	4.93	2.33	0.69
20	73.50	22.80	6.00	2.83	0.84

Pérdida de presión en metros, debido a la fricción por 100 metros de tubería.

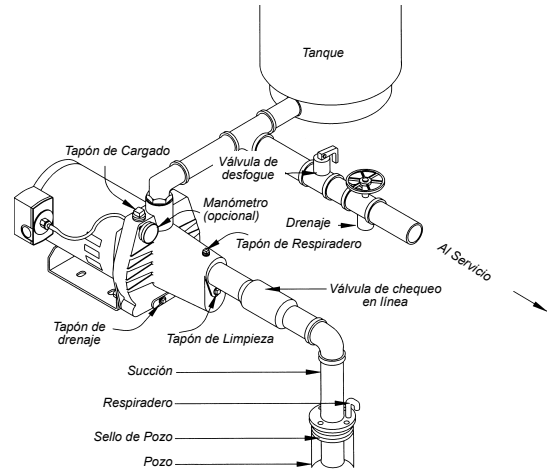
Tamaño Nominal de Tubería L/Minuto	20mm	25mm	32mm	40mm	50mm
15	3.7	1.15	0.30	0.13	–
20	5.3	1.64	0.43	0.19	–
25	7.1	2.18	0.56	0.27	–
30	13.5	4.13	1.08	0.49	–
35	16.3	5.00	1.31	0.61	–
40	23.5	7.30	1.90	0.88	0.25
45	28.3	8.74	2.31	1.07	0.29
50	34.2	10.60	2.79	1.32	0.38
55	40.7	12.60	3.32	1.56	0.46
60	48.1	14.90	3.92	1.85	0.54
65	55.7	17.30	4.45	2.15	0.63
70	63.8	19.70	5.20	2.46	0.73
75	72.2	22.40	5.89	2.78	0.83

\*Duplique el número para tuberías galvanizadas.

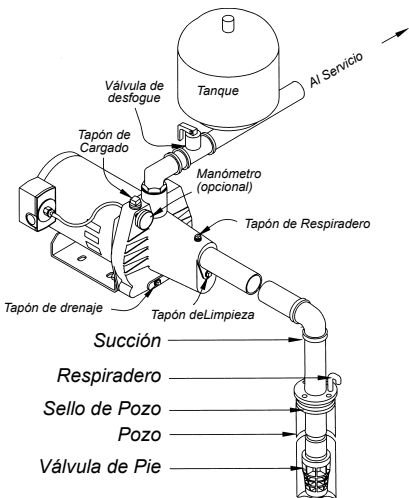
**INSTALACIONES TÍPICAS**



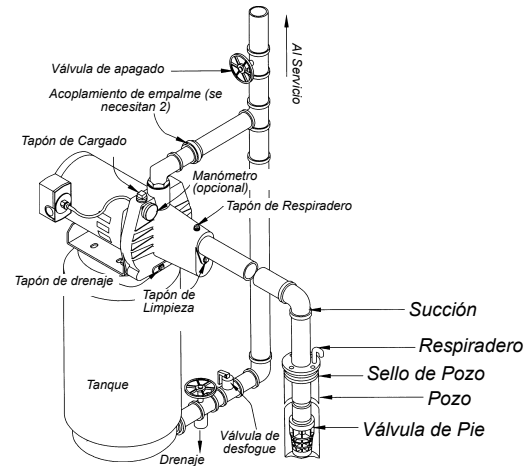
**Fig.2a POZO POCO PROFUNDO (CON VÁLVULA DE PIE)**



**Fig.2b POZO POCO PROFUNDO (CON VÁLVULA DE CHEQUEO EN LÍNEA HORIZONTAL)**



**Fig.2c POZO POCO PROFUNDO- TANQUE EN LÍNEA (CON VÁLVULA DE PIE)**



**Fig.2d POZO POCO PROFUNDO - SISTEMA MONTADO EN EL TANQUE (CON VÁLVULA DE PIE)**



## OPERACIÓN

### ⚠ AVISO:

**NO OPERAR LA BOMBA ANTES DE CARGARLA, EL SELLO Y EL PROPULSOR PODRÍAN DAÑARSE PERMANENTEMENTE.**

#### Cargado

**NOTA:** Usted necesitará suficiente agua para llenar la línea(s) de succión y el cuerpo de la bomba. El tiempo de cargado depende de la distancia entre la fuente de agua y la bomba (de 5 a 15 min.).

#### Usando una válvula de chequeo en la línea:

1. Abra la válvula de descarga en la línea de servicio y un grifo cercano para controlar el flujo de agua.
2. Vierta agua limpia por el agujero del tapón de cargado en la parte superior del cuerpo de la misma hasta que el agua comience a rebalsarse por el orificio del respiradero.
3. Coloque el tapón adjunto del respiradero, ajuste flojamente el tapón con una herramienta.
4. Continúe llenando la bomba con agua hasta que el agua comience a rebalsarse por el orificio de cargado.
5. Instale el tapón adjunto de cargado y ajústelo con la mano.
6. Encienda la bomba. Si hay un grifo visible, usted verá una descarga corta de agua, lo cual puede durar de 5 a 10 segundos.
7. Haga funcionar la bomba por 2 minutos y luego apáguela. Saque los tapones del respiradero y de cargado.
8. Usted ha completado el primer ciclo de cargado, que consiste en los pasos del 2 al 7. Este proceso se tendrá que repetir de 2 a 6 veces, dependiendo del largo de su línea de succión. (Aproximadamente un ciclo de cargado por cada 5 pies de línea de succión). Usted sabrá cuándo parar porque la bomba comenzará a bombear agua continuamente.
9. Una vez que la bomba comience a bombear agua continuamente, ajuste firmemente los tapones del respiradero y de cargado con una herramienta.
10. Si la bomba no saca agua en 8 intentos, apáguela y revise que no haya fugas de succión.

#### Usando una válvula de pie:

1. Abra la válvula de descarga en la línea de servicio y un grifo cercano para controlar el flujo de agua.
2. Vierta agua limpia por el agujero del tapón de cargado en la parte superior del cuerpo de la misma hasta que el agua comience a rebalsarse por el orificio del respiradero. Usted necesitará aproximadamente un litro de agua por cada 3 pies de línea de succión.
3. Siga los pasos del 3 al 6. Si dentro de 2 minutos no se bombea agua continuamente, apague la bomba. Saque los tapones del respiradero y de cargado. Repita los pasos del 2 al 6. Si esto no da resultados, apague la bomba y revise que no haya fugas en la línea de succión.
4. Una vez que la bomba comience a bombear agua continuamente, ajuste firmemente los tapones del respiradero y de cargado con una herramienta.

#### Drenaje

Si la unidad es expuesta al congelamiento, entonces será necesario drenar la bomba y el tanque. Para hacerlo apague la electricidad de la bomba en el panel principal de servicio eléctrico. Abra un grifo en el sistema de agua para reducir la presión. Quite los tapones de drenaje y cargado del casco de la bomba. Quite el tapón de drenaje del tanque de presión (si lo tuviera). ¡Deje que pase tiempo suficiente para que el sistema se drene antes de volver a poner los tapones!

## MAINTENIMIENTO

### ⚠ AVISO - RIESGO DE DESCARGA ELÉCTRICA

Antes de prestar servicio a un equipo operado a motor, desconecte la electricidad al motor en el panel eléctrico principal y desconecte el suministro eléctrico del motor y los accesorios. Practique reglas de seguridad de trabajo cuando preste servicio al equipo.

- a) **Lubricación:** La bomba no la necesita. Vea las instrucciones del fabricante del motor con respecto a lubricación del motor.

- b) **Tapón de Limpieza:** Para los casos en que haya problemas de obstrucción, se ha proporcionado un tapón de ¼" NPT para tener acceso a limpiar la boquilla/venturi. Este tapón está ubicado directamente debajo de la apertura de aspiración en la parte frontal del casco de la bomba. **¡IMPORTANTE! Desconecte la electricidad a la bomba desde el panel principal de servicio eléctrico antes de quitar el tapón de limpieza. Abra un grifo en el sistema de agua para reducir la presión.**

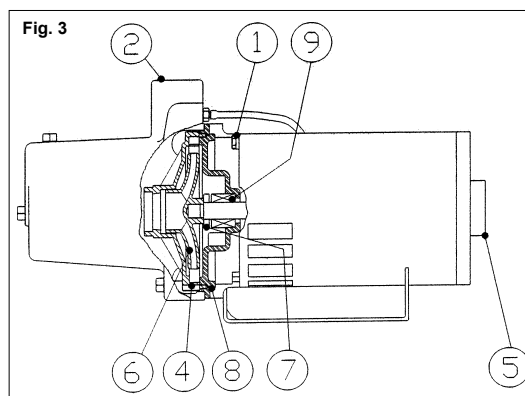
- c) **Cómo Reemplazar el Sello Mecánico: (Vea la Fig. 3).** Solamente personas debidamente calificadas deberían dar mantenimiento a dispositivos eléctricos y/o mecánicos.

#### Desensamblaje:

- 1) Desconecte la electricidad al motor en el panel principal de servicio y desconecte el suministro eléctrico del motor.
- 2) Abra un grifo en el sistema de agua para reducir la presión.
- 3) Quite los tapones de drenaje y de cargado para dejar que la bomba se drene.
- 4) Desconecte la tubería que va al interruptor de presión.
- 5) Quite los 4 pernos (1) y quite el casco de la bomba (2).
- 6) Palanquee el difusor (4) fuera del casco de la bomba utilizando dos destornilladores ranurados para obtener equilibrio.
- 7) Quite la tapa (5) e inserte un destornillador para evitar que el eje dé vueltas cuando destornille el propulsor (6)(motores General Electric). Para los motores A.O. Smith, quite la tapa posterior y sujete el eje utilizando una herramienta plana introducida por el costado, a través de la apertura al fondo del casco de la bomba. El propulsor tiene rosca para mano derecha. Si no se puede voltear a mano el propulsor, entonces inserte un objeto plano en la paleta del propulsor.
- 8) Deslice el sello rotativo (7) fuera del eje y quite la plancha selladora (8).
- 9) Quite el asiento del sello de cerámica (9) de la plancha selladora.

#### Ensamblaje:

- 1) Limpie todas las partes completamente antes de ensamblar.
- 2) Lubrique ligeramente (con agua jabonosa) la tapa de caucho en el sello de cerámica (9) y empújelo en la plancha selladora usando solamente sus dedos pulgares. Asegúrese que la superficie lisa del asiento de cerámica quede hacia afuera.
- NOTA:** Si la bomba va a estar fuera de servicio por más de una semana, entonces instale los componentes selladores en seco (sin lubricación).
- 3) Coloque la plancha selladora en el motor.
- 4) Lubrique el sello rotativo (7) (con agua jabonosa) y deslícelo en el eje con el anillo de "carbón" mirando hacia el asiento de cerámica.
- 5) Coloque el propulsor (6) y el difusor (4).
- 6) Coloque el casco de la bomba (2) asegurándose que la junta no esté dañada y que esté en su lugar.
- 7) Conecte las tuberías al casco y al interruptor de presión.
- 8) Conecte la electricidad.
- 9) Cargue la bomba, enciéndala, y revise que no haya fugas.



## GUÍA PARA DETECTAR PROBLEMAS

- a) **El motor no prende:**
  - 1) No llega electricidad al interruptor de presión debido a fusibles quemados, interruptores abiertos o conexiones sueltas.
  - 2) El interruptor de presión de la bomba no está cerrado.
- b) **La bomba no bombea agua:**
  - 1) La bomba no está cargada por completo.
  - 2) La altura de aspiración es demasiada.
  - 3) La válvula de pie no está sumergida, está enterrada en el lodo o está bloqueada.
- c) **La bomba pierde el agua que se le carga:**
  - 1) Hay una fuga de aire en la línea de aspiración.
  - 2) Nivel de bombeo de agua del pozo está muy abajo.
  - 3) Válvula de pie defectuosa.
- d) **La bomba saca agua pero en menor cantidad de lo que debe:**
  - 1) Fugas en la línea de aspiración o descarga.
  - 2) La válvula de pie, la línea de aspiración, el propulsor o la boquilla están parcialmente bloqueados.
  - 3) La altura de aspiración es mayor que la que se recomienda.
  - 4) Rotación inadecuada del propulsor o baja velocidad.
  - 5) El venturi o el difusor están bloqueado.
  - 6) El motor está cableado para voltaje inadecuado.
  - 7) Motor defectuoso (ajuste inadecuado del interruptor del motor).
- e) **La bomba se prende y apaga muy seguido:**
  - 1) Control de volumen de aire defectuoso.
  - 2) Fuga de aire en el tanque por encima del nivel del agua.
  - 3) Ajuste incorrecto del interruptor de presión.
  - 4) El tanque está saturado de agua o es muy pequeño para su aplicación.

## GARANTÍA LIMITADA

Para consideraciones de la garantía, Franklin Electric Company, Inc. y sus subsidiarios (denominada de ahora en adelante "la Compañía"), garantiza que los productos especificados en esta garantía están libres de defectos en los materiales y en la mano de obra de la Compañía. Durante el período, y sujeto a los términos estipulados en este documento, la Compañía reparará o reemplazará al cliente o usuario original cualquier parte del producto que presente defectos materiales o de fabricación atribuibles a la compañía. En todo momento, la Compañía tendrá y poseerá el único derecho y opción de determinar si repara o reemplaza el equipo, piezas o componentes defectuosos. La Compañía tiene la opción de inspeccionar cualquier producto devuelto bajo los términos de la garantía para confirmar que esté cubierto por la garantía antes aprobar la reparación o reemplazo según la garantía. Esta garantía constituye la única obligación de la Compañía y es el único recurso que tiene el cliente si el producto tiene defectos. Devuelva el producto defectuoso al sitio de compra para que sea considerado bajo la garantía.

**DURACIÓN DE LA GARANTÍA – PRODUCTOS:** 24 meses a partir de la fecha de compra por el cliente. (Los cepillos, el impulsor o la leva en los modelos con motor de cepillo y/o los impulsores de aletas flexibles no están cubiertos por la garantía.) En caso de que no exista un comprobante adecuado de la fecha de compra, el período efectivo de esta garantía comenzará a partir de la fecha de fabricación del producto.

**MANO DE OBRA Y OTROS COSTOS:** La Compañía DE NINGUNA MANERA será responsable por el costo de la mano de obra en el campo u otros cargos en que incurra cualquier cliente al retirar y/o instalar algún producto, pieza o componente.

**MEJORAS AL PRODUCTO:** La Compañía se reserva el derecho de cambiar o mejorar sus productos, o cualquier parte de los mismos, sin que por ello tenga la obligación de realizar dicho cambio o mejora en las unidades vendidas y/o despachadas con anterioridad.

**TÉRMINOS Y CONDICIONES GENERALES:** Esta garantía no tiene efecto si los daños se deben a fuerza mayor, desgaste por uso normal, servicios de mantenimiento normal y la piezas utilizadas para dicho servicio, rayos o condiciones que estén fuera del alcance de la Compañía, como tampoco tendrá vigencia en aquellos productos que, a criterio exclusivo de la Compañía, hayan sido sujetos a negligencia, maltrato, accidente, mal uso, manipulación indebida, alteración o instalación, funcionamiento, mantenimiento o almacenamiento indebidos, o si se sobrepasan los valores máximos recomendados, estipulados en estas instrucciones.

Esta garantía quedará ANULADA si se hallan cualesquiera de las siguientes condiciones:

1. El producto se utiliza para propósitos distintos a aquellos para los cuales fue diseñado y fabricado
2. El producto no fue instalado de conformidad con las normas, reglamentos y prácticas comerciales aceptadas
3. El producto se conecta a un voltaje distinto al que se indica en la placa de identificación
4. La bomba se utilizó con fluidos distintos al agua dulce a temperatura ambiente aproximadamente
5. La bomba funcionó sin líquido (se cortó el suministro de líquido)
6. El cliente abrió el alojamiento sellado del motor o desarmó el producto
7. El cable se cortó a un largo menor que 0,9 m (3 pies)

**EXENCIÓN DE RESPONSABILIDAD:** Toda afirmación verbal con respecto al producto, por parte del vendedor, la Compañía, los representantes o cualquier otra parte, no constituye garantía alguna, no debe ser considerada como tal por el usuario y no forma parte del contrato de venta. La única obligación del vendedor y la Compañía, y el único recurso del comprador, será el reemplazo y/o reparación que hará la Compañía del producto, tal como se describió anteriormente. NI EL VENDEDOR NI LA COMPAÑÍA SERÁN RESPONSABLES POR CUALQUIER LESIÓN, PÉRDIDA O DAÑO DIRECTO, INCIDENTAL O INDIRECTO (LO QUE INCLUYE, SIN LIMITACIÓN, DAÑOS INCIDENTALES O INDIRECTOS POR PÉRDIDA DE GANANCIAS, DE VENTAS, LESIONES PERSONALES O MATERIALES, O CUALQUIER OTRO DAÑO INCIDENTAL O INDIRECTO) QUE RESULTARA DEL USO O INCAPACIDAD DE USAR EL PRODUCTO, Y EL USUARIO ACUERDA QUE NO HAY NINGÚN OTRO RECURSO. Antes de usarlo, el usuario deberá determinar la idoneidad del producto para el uso propuesto y asumirá todos los riesgos y toda la responsabilidad que ello implique. LA GARANTÍA Y RECURSO DESCRITOS EN ESTA GARANTÍA LIMITADA REPRESENTAN UNA GARANTÍA Y RECURSO EXCLUSIVOS Y SE OFRECEN EN LUGAR DE CUALQUIER OTRA GARANTÍA O RECURSO, EXPLÍCITO O IMPLÍCITO. POR EL PRESENTE, SE EXCLUYEN EXPLÍCITAMENTE OTRAS GARANTÍAS Y RECURSOS, INCLUSO, PERO SIN LIMITARSE A CUALQUIER GARANTÍA IMPLÍCITA DE COMERCIALIZACIÓN O IDONEIDAD PARA UN PROPÓSITO ESPECÍFICO. EN LA MEDIDA EN QUE CORRESPONDA A UN PRODUCTO, LA GARANTÍA ESTARÁ LIMITADA EN DURACIÓN A LOS PERÍODOS DE LAS GARANTÍAS EXPRESAS DESCRITAS ANTERIORMENTE. Algunos estados y países no permiten la exclusión o las limitaciones sobre la duración de las garantías implícitas ni la exclusión o limitación de responsabilidades por daños incidentales o indirectos, por lo que puede que las exclusiones o limitaciones anteriores no correspondan en su caso particular. Esta garantía le otorga a usted derechos legales específicos y es posible que usted también tenga otros derechos que varían según el estado o país.

**SERVICIO AL CLIENTE:  
Línea directa: 1-800-667-1457**

RED LION  
51 Burmac Road, P.O. Box 429  
Winnipeg, Manitoba, Canada  
R3C 3E4

Fax: (204) 255-5214

[www.redlionproducts.com](http://www.redlionproducts.com)

**RED LION**

