

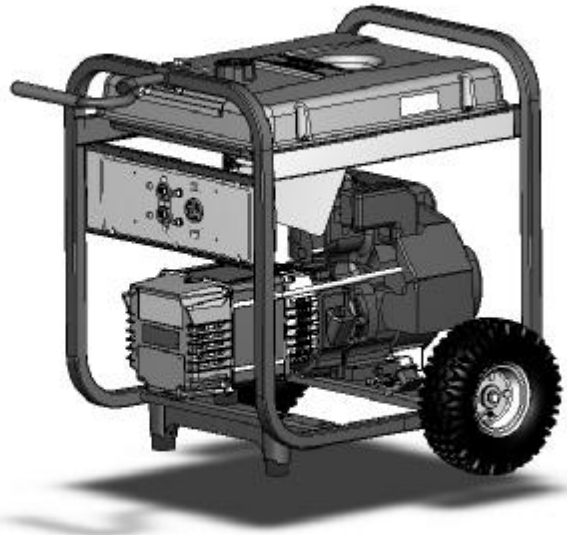
PM0525303

Insert



ELECTRIC GENERATOR -

Thank you for selecting a Coleman® Powermate® Generator. The Coleman® Powermate® generator has been made to supply reliable, portable electrical power when utility power is not available. We hope you will enjoy your new generator. Welcome to our worldwide family of Coleman® Powermate® generator users.



IMPORTANT – Please make certain that persons who are to use this equipment thoroughly read and understand these instructions and any additional instructions provided prior to operation.

MAJOR GENERATOR FEATURES

- * 10 HP Tecumseh engine
- * Cast-iron cylinder sleeve
- * Low oil sensor
- * Receptacles on control panel
- * 5 gallon plastic fuel tank
- * Portability kit

CONTROL PANEL

A. 120 V, 20 Ampere Duplex Receptacle

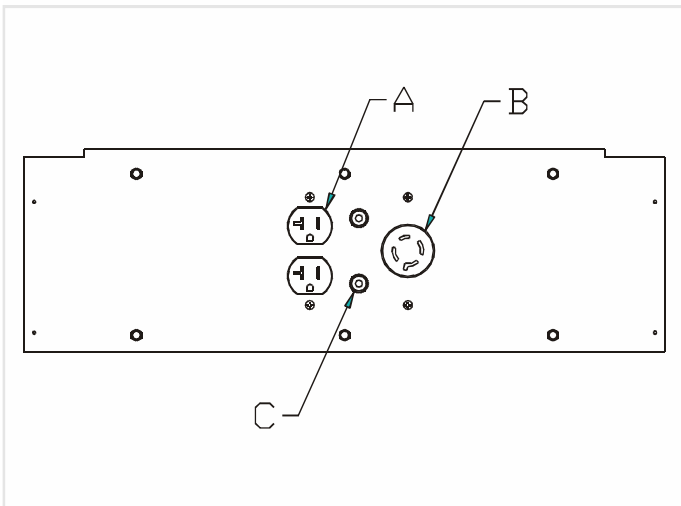
This duplex is split so that 20 amps of current may be drawn from each half of the receptacle. However, total power drawn must be kept within nameplate ratings. These receptacles may be used along with the twistlock receptacle provided the generator is not overloaded.

B. 120/240 V, 20 Ampere Twistlock Receptacle

A maximum of 20 amps may be drawn from the 120/240 volt receptacle, provided it is the only receptacle used. However, current must be limited to the nameplate rating. If the 120/240 volt receptacle is used along with the 120 volt receptacle, the total load drawn must not exceed the nameplate ratings.

C. Circuit Breakers

The receptacles are protected by an AC circuit breaker. If the generator is overloaded or an external short circuit occurs, the circuit breaker will trip. If this occurs, disconnect all electrical loads and try to determine the cause of the problem before attempting to use the generator again. If overloading causes the circuit breaker to trip, reduce the load. **NOTE: Continuous tripping of the circuit breaker may cause damage to generator or equipment.** The circuit breaker may be reset by pushing the button of the breaker.



LIMITED WARRANTY

Warranty Coverage: Powermate Corporation (the Company) warrants to the original retail customer in North America that it will repair or replace, free of charge, any parts found by the Company or its authorized service representative to be defective in material or workmanship. This warranty covers the cost of replacement parts and labor for defects in material or workmanship.

Not Covered:

- Transportation charges for sending the product to the Company or its authorized service representative for warranty service, or for shipping repaired or replacement products back to the customer; these charges must be borne by the customer.
- Engine is covered exclusively by a separate warranty from the engine manufacturer, included with the engine Manual.
- Damages caused by abuse or accident, and the effects of corrosion, erosion and normal wear and tear.
- Warranty is voided if the customer fails to install, maintain and operate the product in accordance with the instructions and recommendations of the Company set forth in the owner's manual, or if the product is used as rental equipment.
- The Company will not pay for repairs or adjustments to the product, or for any costs or labor, performed without the Company's prior authorization.

Warranty Period: One (1) year from the date of purchase on products used solely for consumer applications; if a product is used for business or commercial applications, the warranty period will be limited to ninety (90) days from the date of purchase. For warranty service, the customer must provide dated proof of purchase and must notify the Company within the warranty period.

For warranty service: Call toll free 800-445-1805, or write to Powermate Corporation, Product Services, 4970 Airport Road, P. O. Box 6001, Kearney, NE 68848.

EXCLUSIONS AND LIMITATIONS: THE COMPANY MAKES NO OTHER WARRANTY OF ANY KIND, EXPRESS OR IMPLIED. IMPLIED WARRANTIES, INCLUDING WARRANTIES OF MERCHANTABILITY AND OF FITNESS FOR A PARTICULAR PURPOSE, ARE HEREBY DISCLAIMED. THE WARRANTY SERVICE DESCRIBED ABOVE IS THE EXCLUSIVE REMEDY UNDER THIS WARRANTY; LIABILITY FOR INCIDENTAL AND CONSEQUENTIAL DAMAGES IS EXCLUDED TO THE EXTENT PERMITTED BY LAW.

This warranty gives you specific legal rights, and you may also have other rights which vary from state to state. Some states do not allow a disclaimer of implied warranties, or the exclusion or limitation of incidental and consequential damages, so the above disclaimers and exclusions may not apply to you.

PORTABILITY KIT INSTALLATION

TOOLS REQUIRED: 7/16", 1/2", 9/16", and 5/8" sockets and ratchets, block(s) of wood (minimum of 6" tall).
Refer to the parts list on pages 8 and 9.

WHEEL INSTALLATION

1. Block up end of generator opposite the fuel tank cap to install wheel kit.
2. Insert wheel spacer (**item 22**) into the center of the wheel (**item 21**).
3. Slide 3/8 x 4.25" bolt (**item 27**) and 3/8 washer (**item 26**) through the wheel (**item 21**), then through the wheel bracket on the carrier, with the offset side of the wheel hub against the wheel bracket.
4. Thread 3/8 nyloc nut (**item 18**) onto the bolt and tighten to securely clamp the wheel assembly to the carrier.
5. Repeat above instructions for the remaining wheel.

FOOT INSTALLATION

1. Blocking up the alternator side of the generator, place the foot bracket (**item 13**) under the carrier channel. Thread a 5/16-18 x 4" bolt (**item 17**) with a rubber foot (**item 14**) through the mounting holes and thread a 5/16 flange nut (**item 23**) to the bolt to secure the foot bracket to the carrier. **Caution: Do not over tighten so that the rubber foot material collapses.**

HANDLE INSTALLATION

1. Place handle (**item 32**) over carrier tubing on same end as feet, centering handle on the carrier.
2. Slide 7/16 x 2" bolt (**item 31**) through handle as shown in diagram and secure with 7/16" nyloc nut (**item 35**). Tighten until handle is securely clamped to the carrier tubing.
3. Apply aerosol hairspray or similar adhesive to the handle (**item 32**), and then slide the handle grip (**item 34**) onto the handle. The aerosol hairspray will allow for easier assembly and will adhere the grip to the handle.

