

# MYERS® MCI033/MCI050

The Myers MCI033 and MCI050 are rugged cast iron sump pumps featuring a vortex impeller that provides solids-handling capability up to 1/2". Product is available in 1/3 HP and 1/2 HP, 115 Volt single phase 60 Hz. Pump discharge is 1-1/2" NPT. 2-pole float switch for minimum 10" diameter sumps. Manual models also available.



## APPLICATIONS

Basement sumps, dewatering, light effluent, water transfer

## SPECIFICATIONS

**Capacities** – MCI033 - 48 GPM (182 LPM)  
MCI050 - 62 GPM (235 LPM)

**Shut-off Head** – 24' (7.3 m)

**Operation** – On: 9" (229 mm)  
Off: 4" (102 mm)

**Operation** – Automatic or manual

**Solids Handling** – 1/2" (12.7 mm)

**Liquids Handling** – Drainage effluent

**Continuous Liquid Temperature** – 130°F (54°C)

**Motor Electrical Data** – 1/3 HP, 9.8A; 1/2 HP, 12A; shaded pole with thermal overload protection, 115V, 1Ø, 60Hz, 1550 RPM

**Acceptable pH Range** – 6-9

**Shaft Seal** – Carbon and ceramic

**Housing/Volute** – Heavy cast iron

**Volute Base** – Fiberglass reinforced polypropylene

**Impeller** – Fiberglass-reinforced Noryl® with threaded brass insert

**Exterior Hardware** – Stainless steel

**Power Cord** – 10' (3 m), 16/3, SJTW-A, SJTW

**Discharge, NPT** – 1-1/2" (50.8 mm)

**Min. Sump Diameter** – 10" (25.4 cm)

## FEATURES

### Easy Fit

2-pole switch design allows for operation in sump diameters of 10" or more

### Reliable and Tough

Rugged, oil-cooled motor provides continuous bearing lubrication and maximizes heat dissipation

### Extended Service

Lubricated ball bearings and shaft seal for longer service life

### Eliminates Failures

Shaded pole motor eliminates failure-prone switches and relays

### Motor Protection

Long-life carbon/ceramic seal protects motor against water leakage

### Thermal Overload

Heat sensor overload protection with automatic reset when motor cools to safe operating temperature

### No Drilling Required

Anti-airlock hole in base reduces added labor

### Easy Serviceability

Pump, intake screen volute base, switch and power cord are serviceable

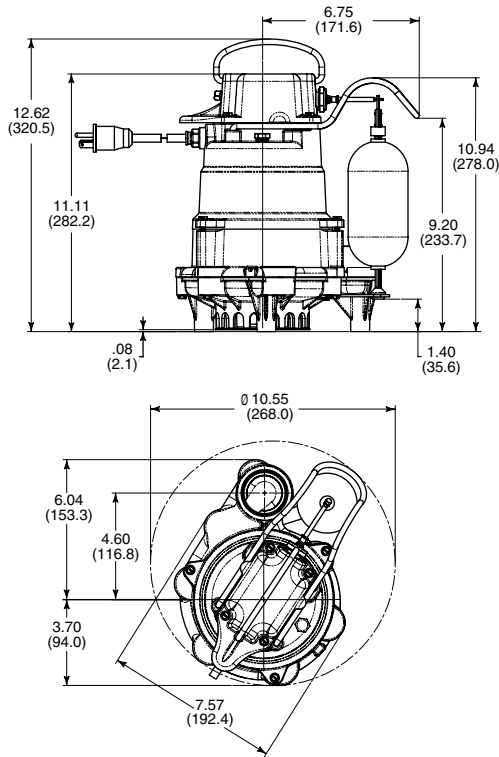
## ORDERING INFORMATION

Catalog Number	HP	Volts	Phase/Cycles	Amps	Discharge Size	Switch Type	Cord Length	Approx. Wt. Lbs.
MCI033	1/3	115	1/60	9.8	1-1/2"	2-pole	10', 20', 30'	24
MCI050	1/2	115	1/60	12	1-1/2"	2-pole	10', 20', 30'	26
MCI033M	1/3	115	1/60	9.8	1-1/2"	Manual	10', 20', 30'	22
MCI050M	1/2	115	1/60	12	1-1/2"	Manual	10', 20', 30'	24

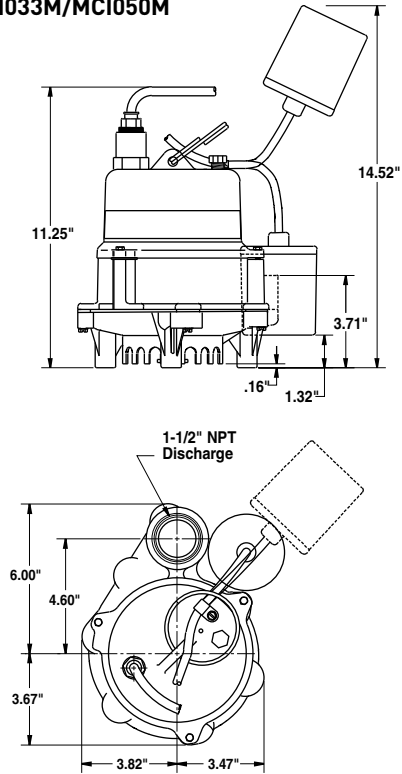
# MYERS® MCI033/MCI050

## DIMENSIONS

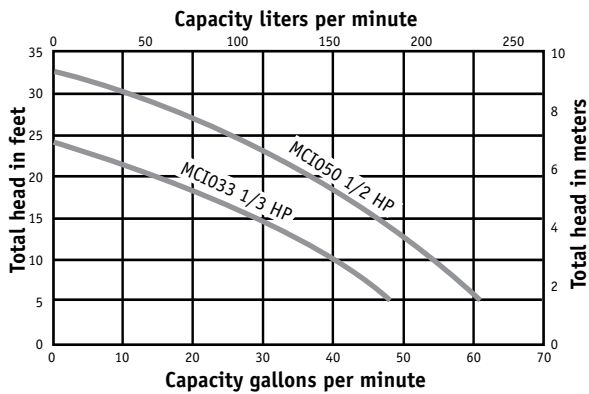
MCI033/MCI050



MCI033M/MCI050M



## PUMP PERFORMANCE



USA  
293 WRIGHT STREET, DELAVAN, WI 53115 WWW.FEMYERS.COM  
PH: 888-987-8677 ORDERS FAX: 800-426-9446

CANADA  
490 PINEBUSH ROAD, UNIT 4, CAMBRIDGE, ONTARIO N1T 0A5  
PH: 800-363-7867 ORDERS FAX: 888-606-5484

Because we are continuously improving our products and services, Pentair reserves the right to change specifications without prior notice.