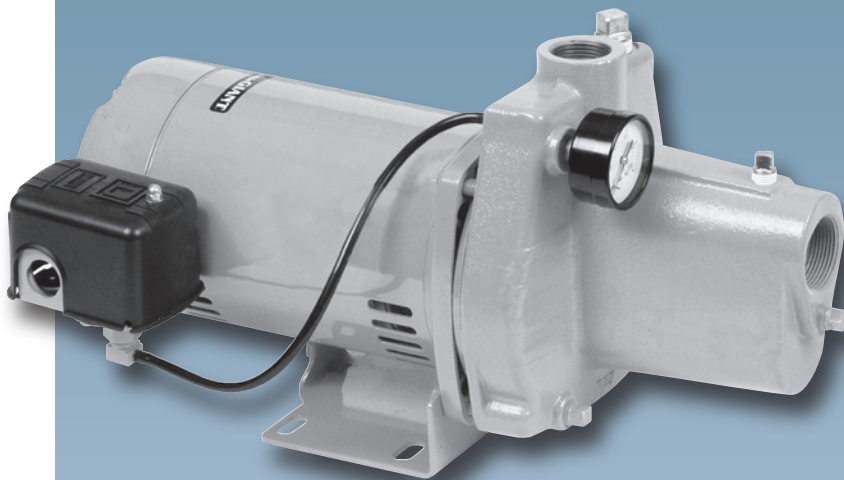


Water Systems

Shallow Well Jet Pumps



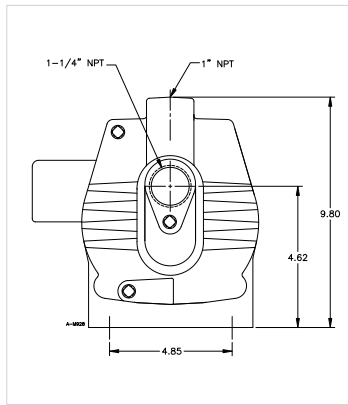
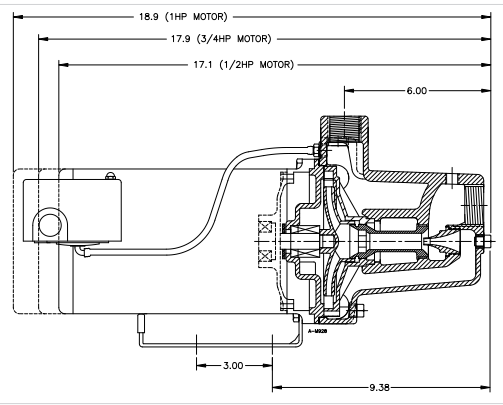
Applications:

- For supplying fresh water to rural homes, farms and cabins
- For installations where the vertical distance from the pump to the pumping water level does not exceed 25 feet

Features:

- Cast iron casing and seal plate for durability and long life
- A.O. Smith higher than standard NEMA service factor dual compartment motor
- Dual voltage 115/230V
- Square D pressure switch preset at 30-50 PSI
- 1-1/4" suction, 1" NPT discharge and brass flow control valve
- Pressure gage included with all models
- Stainless steel motor shaft and dual ball bearings
- Precision engineered thermoplastic impeller, diffuser, nozzle and venturi
- Clean-out plug to easily unclog nozzle
- Fully serviceable with two-year warranty

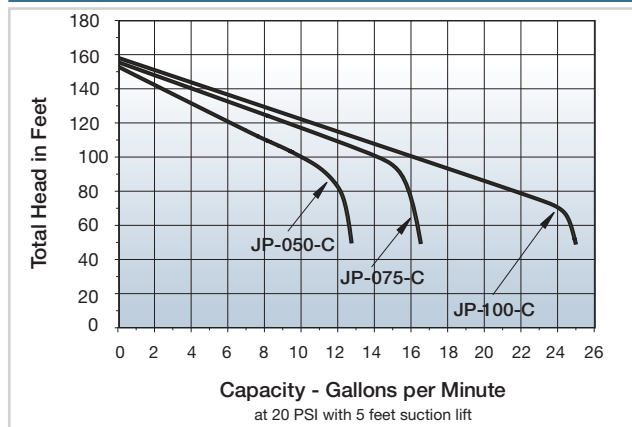
Dimensional Outlines:



Specifications:

1/2 HP													
Item #	Model	Total Suction Lift (ft. / m)	Pump Capacity GPM (LPM) Discharge Pressure in PSI										Maximum Pressure
			20	25	30	35	40	45	50	55	60		
558274	JP-050-C	5 (1.5)	12.8 (48.5)	12.5 (47.3)	12.3 (46.6)	12.1 (45.8)	11.2 (42.4)	9.5 (36)	6.9 (26.1)	4.3 (16.3)	2 (7.6)	64.2 (4.5kg/cm ²)	
		10 (3.1)	11.5 (43.5)	11.3 (42.8)	11 (41.6)	10.8 (40.9)	10.4 (39.4)	8.5 (32.2)	6 (22.7)	3.4 (12.9)	1 (3.8)	62 (4.4kg/cm ²)	
		15 (4.6)	9.8 (37.1)	9.7 (36.7)	9.6 (36.4)	9.5 (36)	9.4 (35.6)	7.3 (27.7)	4.7 (17.8)	2.2 (8.3)	-	59.9 (4.2kg/cm ²)	
		20 (6.1)	8.3 (31.4)	8.1 (30.7)	7.8 (29.5)	7.7 (29.2)	7.6 (28.8)	5.7 (21.6)	3.5 (13.3)	1 (3.8)	-	57.7 (4.06kg/cm ²)	
		25 (7.6)	5.6 (21.2)	5.5 (20.8)	5.5 (20.8)	5.4 (20.5)	5.3 (20.1)	4.1 (15.5)	2.3 (8.7)	0.2 (.8)	-	55.5 (3.9kg/cm ²)	
3/4 HP													
Item #	Model	Total Suction Lift (ft. / m)	Pump Capacity GPM (LPM) Discharge Pressure in PSI										Maximum Pressure
			20	25	30	35	40	45	50	55	60		
558275	JP-075-C	5 (1.5)	16.2 (61.3)	16 (60.6)	15.8 (59.8)	15.6 (59.1)	15.4 (58.3)	12.1 (45.8)	8.7 (33)	5.7 (21.6)	2.9 (11)	65 (4.6kg/cm ²)	
		10 (3.1)	14.3 (54.1)	14 (53)	13.7 (51.9)	13.5 (51.1)	13.2 (50)	10.6 (40.1)	7.6 (28.8)	4.6 (17.4)	1.6 (6.1)	62.8 (4.4kg/cm ²)	
		15 (4.6)	12.1 (45.8)	11.7 (44.3)	11.3 (42.8)	11 (41.7)	10.6 (40.1)	9.3 (35.2)	6.3 (23.9)	3.2 (12.1)	0.2 (.8)	60.6(4.3kg/cm ²)	
		20 (6.1)	9.9 (37.5)	9.6 (36.3)	9.3 (35.2)	9 (34.1)	8.7 (33)	7.8 (29.5)	4.8 (18.2)	1.9 (7.2)	-	58.5 (4.1kg/cm ²)	
		25 (7.6)	7.2 (27.3)	7.1 (26.9)	7 (26.5)	6.9 (26.1)	6.8 (25.8)	6.7 (25.4)	3.5 (13.3)	0.6 (2.3)	-	56.3 (4kg/cm ²)	
1 HP													
Item #	Model	Total Suction Lift (ft. / m)	Pump Capacity GPM (LPM) Discharge Pressure in PSI										Maximum Pressure
			20	25	30	35	40	45	50	55	60	65	
558276	JP-100-C	5 (1.5)	24.8 (93.9)	24.7 (93.5)	23.2 (87.8)	19.8 (75)	16.5 (62.5)	13.1 (49.6)	9.5 (36)	6.3 (23.9)	3.4 (12.9)	0.5 (1.9)	66.2 (4.7kg/cm ²)
		10 (3.1)	21.5 (81.4)	21.2 (80.3)	20.1 (76.1)	18.4 (69.7)	15.2 (57.6)	11.5 (43.6)	7.9 (29.9)	4.9 (18.6)	2.4 (9.1)	-	64.2 (4.5kg/cm ²)
		15 (4.6)	18.1 (68.5)	17.8 (67.7)	17.4 (65.9)	16.7 (63.2)	13.8 (52.2)	10.3 (39)	6.9 (26.1)	4 (15.1)	1.3 (4.9)	-	62.1 (4.4kg/cm ²)
		20 (6.1)	14.4 (54.5)	14.3 (54.2)	14.2 (53.8)	14.6 (55.3)	12.3 (46.7)	9 (34.1)	5.3 (20.1)	2.3 (8.7)	0.2 (.6)	-	60.1 (4.2kg/cm ²)
		25 (7.6)	10.5 (39.8)	10.5 (39.8)	10.4 (39.4)	10.3 (39)	8.8 (33.3)	7 (26.5)	4.2 (15.9)	1.3 (4.9)	-	-	57.2 (4kg/cm ²)

Performance:



Franklin Electric

P.O. Box 12010
 Oklahoma City, OK 73157-2010
 Phone: 1.800.701.7894
 Fax: 1.800.678.7867
 www.LittleGiantPump.com

©2008 Franklin Electric Co., Inc.
 Little Giant® is a registered trademark of Franklin Electric Co., Inc.
 Form 995259 1/08

LittleGIANT®
Pumps. People. Partnerships.