



14-IN 11 AMP Electric Dethatcher

Model No. AJ800E

Form No. SJ-AJ800E-880E

A Division of Snow Joe, LLC

OPERATOR'S MANUAL

IMPORTANT!

Safety Instructions

All Operators Must Read These Instructions Before Use

Always follow these safety guidelines. Failure to do so may result in serious bodily injury or death.

Safety Precautions

TO REDUCE RISK OF INJURY: Before any use be sure everyone using this product reads and understands all safety instructions and other information contained in this manual.

⚠️ WARNING! When using electric gardening appliances, basic safety precautions should always be followed to reduce risk of fire, electric shock, and/or personal injury.

Save these instructions and review frequently prior to use and in instructing others.

Safety Instructions

1. Thoroughly inspect the area where the equipment is to be used and remove all foreign objects.
2. Do not operate the equipment without wearing adequate outer garments. Wear protective footwear that will improve footing on slippery surfaces.
3. Use extension cords and receptacles as specified by the manufacturer for all units with electric drive motors or electric starting motors. (SEE TABLE 1)
4. Never attempt to make any adjustments while the motor is running.
5. Do not put hands or feet near or under rotating parts.
6. Exercise extreme caution when operating on or crossing gravel drives, walks, or roads. Stay alert for hidden hazards or traffic.
7. After striking a foreign object, stop the motor, thoroughly inspect the machine for any damage, and repair the damage before restarting and operating the machine. Disconnect the cord on electric motors.
8. Exercise caution to avoid slipping or falling.
9. If the unit should start to vibrate abnormally, stop the motor and check immediately for the cause. Vibration is generally a warning sign of trouble.
10. Stop the motor when leaving the operating position,

before unclogging the tines, and when making any repairs, adjustments, and inspections.

11. Take all possible precautions when leaving the machine unattended. Stop motor and remove the power cord.
12. Before cleaning, repairing, or inspecting, shut off the motor and make certain all moving parts have stopped. Disconnect the cord on electric motors.
13. Never operate the machine without proper guards, plates, or other safety protective devices in place.
14. Keep children and pets away.
15. Do not overload the machine capacity by attempting to cultivate too deep at too fast a rate.
16. Never operate the machine at high transport speeds on hard or slippery surfaces.
17. Never allow bystanders near the unit when operating.
18. Use only attachments and accessories approved by the manufacturer of the machine.
19. Never operate the machine without good visibility or light.
20. Be careful when cultivating in hard ground. The tines may catch in the ground and propel the machine forward. If this occurs, let go of the handlebars and the starting lever and do not restrain the machine.
22. Use extreme caution when reversing or pulling the machine towards you.
22. Switch on the motor carefully according to instructions and with feet well away from the tines.
23. Never pick up or carry a machine while the motor is running.
24. Do not operate the machine while under the influence of alcohol or drugs.

General Safety

- **AVOID DANGEROUS ENVIRONMENTS** – Don't use this product in rainy, stormy, damp or wet locations. Do not operate in gaseous or explosive atmospheres. Motors in these products normally spark, and the sparks might ignite fumes.
- **DRESS PROPERLY** – Don't wear loose clothing or jewelry and wear protective hair covering to contain long hair. They can be caught in moving parts. Use of rubber gloves and substantial footwear is recommended when working outdoors.
- **USE SAFETY GLASSES** – Wear safety glasses with side shields or goggles that are marked to comply with ANSI Z87.1 standard when operating this product.

- **USE DUST MASK** – Wear face or dust mask when operating this product.
- **USE HEARING PROTECTION** – Wear ear plugs or muffs when operating this product.
- **GROUND FAULT CIRCUIT INTERRUPTER** – (GFCI) protection should be provided on the circuit(s) or outlet(s) to be used for this product if you are using an extension cord. Receptacles are available having built-in GFCI protection and may be used.
- **DOUBLE INSULATION** – This product has double insulation. This means that all external metal parts are insulated from the electrical supply. This is achieved by introducing an insulation layer between electrical and mechanical parts. The double insulation guarantees you the greatest possible safety.
- **EXTENSION CORD** – Make sure your extension cord is in good condition. Use only extension cords having an electrical rating not less than the rating of the product. An undersized extension cord will cause a drop in line voltage resulting in loss of power and overheating.
- **POLARIZED PLUGS** – To reduce the risk of electric shock, this product has a polarized plug (one blade is wider than the other). This product must be used with a suitable polarized extension cord. Polarized connections will fit together only one way. Make sure that the receptacle end of the extension cord has large and small blade slot widths. If the plug does not fit fully into the extension cord, reverse the plug. If it still does not fit, obtain a suitable extension cord. Do not change the tool plug or extension cord in any way.

⚠ WARNING: Use outdoor extension cords marked SW-A, SOW-A, STW-A, STOW-A, SJW-A, SJTW-A, or SJTOWA. These cords are rated for outdoor use and reduce the risk of electric shock.

- **DISCONNECT UNIT** from the power supply when not in use or when servicing or cleaning. Do not leave unattended.
- **DON'T ABUSE CORD** – Never carry or pull this product by the cord or yank the cord to disconnect from the receptacle. Keep cord from heat, oil, and sharp edges.
- **STAY ALERT** – Watch what you are doing. Use common sense. Do not operate the garden shredder when you are tired or under the influence of drugs or medication.
- **STORE IDLE UNIT INDOORS** – When not in use, the machine should be stored indoors in a dry and high or locked-up place, out of children's reach.
- **MAINTAIN UNIT WITH CARE** – Keep clean for best performance and to reduce the risk of injury. Inspect extension cord periodically and replace if damaged. Keep handles dry, clean and free from oil and grease.
- **CHECK FOR DAMAGED PARTS** – Before further use of the product, any part that is damaged should be care-

fully checked to determine that it will operate properly and perform its intended function. Check for alignment of moving parts, binding of moving parts, breakage of parts, mounting and any other condition that may affect its operation. Any part that is damaged should be properly repaired or replaced. Call our customer service help line for assistance at 1-866-766-9563 for assistance.

- **LIGHTING** – Only operate your machine in daylight or good artificial light.
- **DON'T OVERREACH** – Keep proper footing and balance at all times. Wear oil resistant rubber-soled footwear.
- Never leave a running tool unattended. Turn the machine OFF and wait until it comes to a complete stop before leaving the work area.
- Avoid accidental start-ups. Make sure switch is in OFF position before plugging in the power cord.
- **USE RIGHT APPLIANCE** – Do not use this product for any job except that for which it is intended.
- **KEEP CHILDREN AWAY** – All visitors, children and pets should stay at a safe distance from the work area.

⚠ WARNING: Some dust and debris created by the use of this tool could contain chemicals known to the State of California to cause cancer and birth defects or other reproductive harm.

Some examples of these chemicals are:

- chemicals in fertilizers
- compounds in insecticides, herbicides and pesticides
- arsenic and chromium from chemically treated lumber

Your risk from exposure to these chemicals varies depending on how often you do this type of work. To reduce your exposure, work in a well-ventilated area and with approved safety equipment, such as dust masks that are specifically designed to filter out microscopic particles.

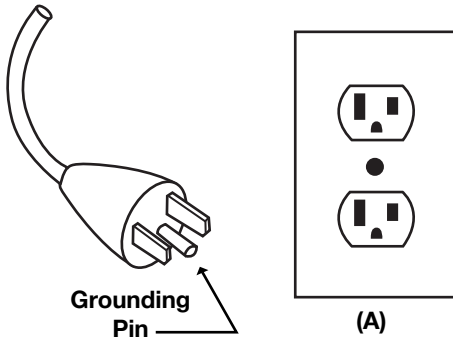
⚠ WARNING: The wires of this product could contain chemicals known to the State of California to cause cancer and birth defects or reproductive harm. Wash hands after handling.

Electrical Safety

1. Always check that the power supply corresponds to the voltage on the rating plate.
2. Do not operate in an area where there is a possibility of body contact with grounded items (i.e.: pipes, metal structures). Avoid contact with metal objects.
3. Do not pull/yank the power cord. Keep the power cord away from hot surfaces and sharp objects.
4. Always use a grounded three-wire extension cord and receptacle that are made of rubber and intended for

outdoor use. The machine is designed to operate on 120 Volt AC household current. The power cord has a grounding prong. To avoid the possibility of shock it must always be used with a properly grounded three-prong receptacle. Never remove the ground prong from the plug.

Grounding methods



5. Do not operate the machine where water is present (i.e.: rain, sprinkler, puddles).
6. Do not touch electrical plugs with wet hands.
7. Keep the extension cord away from the moving parts and hot motor housing.
8. Immediately replace and dispose of damaged wires and plugs.
9. Do not open the switch box on the motor. If service is necessary take the machine to a qualified electrician.
10. Ground Fault Circuit Interrupter (GFCI) protection should be provided on the circuit(s) or outlet(s) to be used for the gardening appliance. Receptacles are available having built-in GFCI protection and may be used for this measure of safety.
11. **Warning** – Use outdoor extension cords marked SW-A, SOW-A, STW-A, STOW-A, SJW-A, SJTW-A, or SJTOWA. These cords are rated for outdoor use and reduce the risk of electric shock.

Exception: Types SW, SOW, STW, STOW, SJW, SJOW, SJTW, and SJTOW are alternative designations to Types SW-A, SOW-A, STW-A, STOW-A, SJW-A, SJOW-A, SJTW-A, and SJTOW-A, respectfully.

12. **Extension Cord** – Make sure your extension cord is in good condition. When using an extension cord, be sure to use one heavy enough to carry the current your product will draw. An undersized extension cord will cause a drop in line voltage resulting in loss of power and overheating. Table 1 shows the correct size to use depending on cord length and nameplate ampere rating. If in doubt, use the next heavier gauge. The smaller the gauge number, the heavier the cord. To reduce the risk of disconnection of appliance cord from the extension cord during operating:

Minimum Gauge For Extension Cords

Volts	Total length of cord in feet			
	25	50	100	150
Ampere Rating More than Not more than	AWG			
0 – 6	18	16	16	14
6 – 10	18	16	14	12
10 – 12	16	14	14	12
12 – 16	16	12	Not Recommended	

NOTE – Only the applicable parts of the Table need to be included. For instance, a 120-volt product need not include the 240-volt heading.

Table 1

- i) Make a knot as shown in Figure 1 or
- ii) Use one of the plug-receptacle retaining straps or connectors described in this manual.

Method of securing extension cord

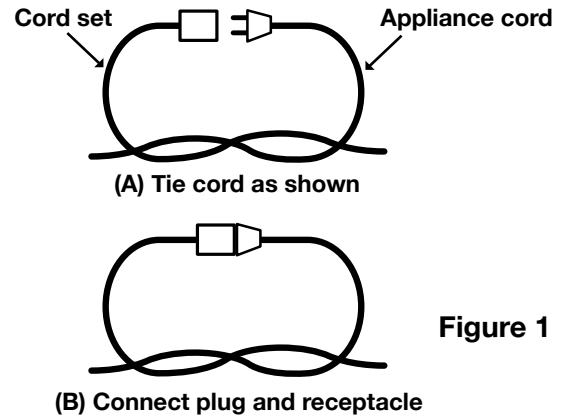


Figure 1

13. Avoid Unintentional Starting – Don't carry plugged-in appliance with finger on switch. Be sure switch is off when plugging in.
14. Don't Abuse Cord – Never carry appliance by cord or yank it to disconnect from receptacle. Keep cord from heat, oil, and sharp edges.
15. Don't Force Appliance – It will do the job better and with less likelihood of a risk of injury at the rate for which it was designed.
16. Don't Overreach – Keep proper footing and balance at all times.
17. Stay Alert – Watch what you are doing. Use common sense. Do not operate appliance when you are tired.
18. Disconnect Appliance – Disconnect the appliance from the power supply when not in use, before servicing, and when changing accessories.

19. Store Idle Appliances Indoors – When not in use, appliances should be stored indoors in dry, and high or locked-up place – out of reach of children.
20. Maintain Appliance With Care – Keep cutting edge sharp and clean for best performance and to reduce the risk of injury. Follow instructions for lubricating and changing accessories. Inspect extension cords periodically and replace if damaged, have it repaired by an authorized service facility. Keep handles dry, clean, and free from oil and grease.
21. Check Damaged Parts – Before further use of the appliance, a guard or other part that is damaged should be carefully checked to determine that it will operate properly and perform its intended function. Check for alignment of moving parts, binding of moving parts, breakage of parts, mounting, and any other condition that may affect its operation. A guard or other part that is damaged should be properly repaired or replaced by an authorized service center unless indicated elsewhere in this manual.

Service





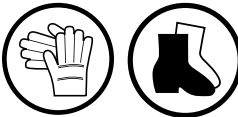





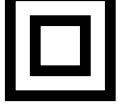
Your power tool should be serviced by a qualified repair person using only identical replacement parts. This will ensure that the safety of the power tool is maintained.

Personal Safety

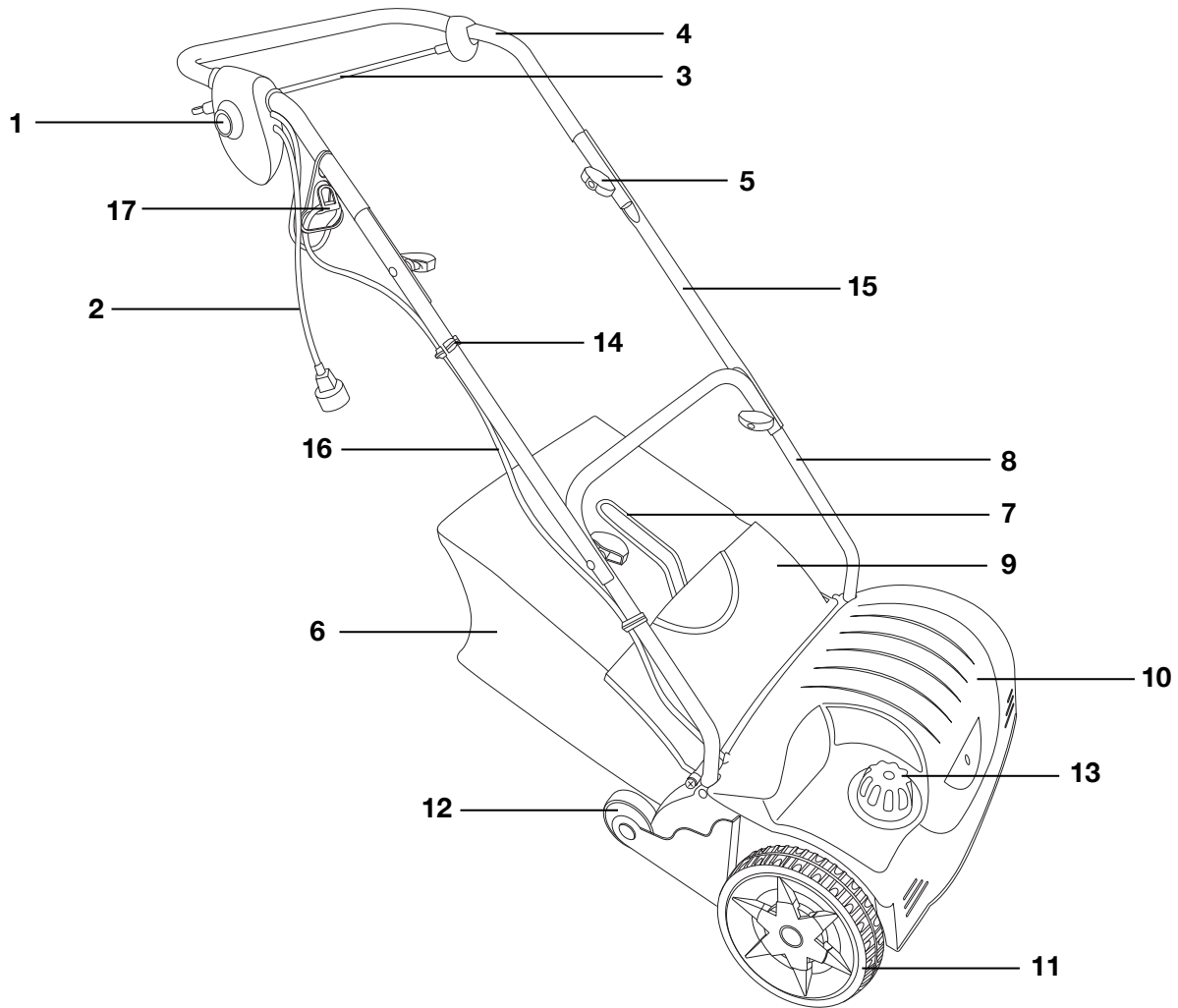
- Stay alert, watch what you are doing and use common sense when operating a power tool. Do not use a power tool while you are tired or under the influence of drugs, alcohol or medication. A moment of inattention while operating power tools may result in serious personal injury.
- Use personal protective equipment. Always wear eye protection. Protective equipment such as dust mask, non-skid safety shoes, hard hat, or hearing protection used for appropriate conditions will reduce personal injuries.
- Prevent unintentional starting. Ensure the switch is in the OFF-position before connecting to power source and/or battery pack. Picking up or carrying the tool: carrying power tools with your finger on the switch invites accidents.
- Remove any adjusting key or wrench before turning the power tool on. A wrench or a key left attached to a rotating part of the power tool may result in personal injury.
- Do not overreach. Keep proper footing and balance at all times. This enables better control of the power tool in unexpected situations.
- Dress properly. Do not wear loose clothing or jewelry, keep your hair clothing and gloves away from moving parts, loose clothes, jewelry or long hair can be caught in moving parts.
- If devices are provided for the connection of dust extraction and collection facilities, ensure these are connected and properly used. Use of dust collection can reduce dust-related hazards.

Safety Symbols

The following table depicts and describes safety symbols that may appear on this product. Read, understand, and follow all instructions on the machine before attempting to assemble and operate.

Symbols	Descriptions
	SAFETY ALERT.
	READ THE OPERATOR'S MANUAL(S) Read, understand and follow all instructions in the manual(s) before attempting to assemble and operate.
	Do not use in wet weather conditions.
	Wear eye protection, dust mask protection, and ear protection.
	Wear gloves protective. Wear foot protection.
	Don't push down stairs.
	SWITCH OFF! Remove plug from outlet immediately if the cord is damaged or cut.
	SWITCH OFF! Remove plug from outlet before cleaning or maintenance.
	Keep bystanders away. Thrown objects can cause serious injury.
	CPSC Danger label. Keep hands and feet away from the rotating parts.
	Double Insulation

Know Your Electric Dethatcher



- | | | |
|---|------------------------------------|-------------------------|
| 1. Safety button | 7. Handle on the collecting basket | 13. Adjusting knob |
| 2. Power cable | 8. Lower bar | 14. 2 cable clamps |
| 3. Starting lever | 9. Impact protector | 15. 2 center bars |
| 4. Upper handle bar | 10. Housing | 16. Electric cable |
| 5. 4 screws and 4 wing nuts to secure the bar | 11. 2 front wheels | 17. Cable strain relief |
| 6. Collecting basket | 12. 2 rear wheels | |

Technical Data

Rated voltage	120V AC 60Hz 11A
No Load Speed	4,600 RPM
Raking Width	14-IN (36 cm)
Weight	30.64 lb (14 kg)

Tools

You will need the following tools to assemble your machine:

- Screw driver

Package Contents

- Housing
- Upper handle bar complete with starting lever, power plug, unlocking button and firmly mounted power cable
- Lower bar
- 2 center bars
- Collecting basket
- Cable strain relief
- 2 cable clamps

Mounting accessories:

- 2 Philips screws, 4 screws and 4 wing nuts to fasten the bar

Assembly

⚠ Ensure during assembly that the power cable is not squeezed and that it has sufficient play.

Assembly the Handle Bar (Fig. 1)

1. Insert the lower bar (8) into the housing (10) and screw it on with the two Philips screws. (See pg. 6)
2. Secure the two centerbars (15) to the lower bar (8) with the screws and wing nuts (5). The two centre bars can be secured in two positions to adjust the handle bar to your height. (See pg. 6)

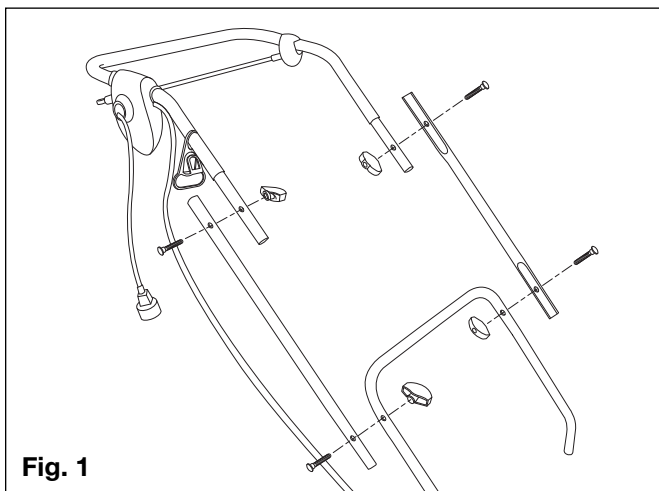


Fig. 1

3. Hang the cable strain relief (17) on the upper handle bar (4). (See pg. 6)
4. Use the screws and wing nuts (5) to firmly secure the upper handle bar (4) to the two centre bars (15). (See pg. 6)

5. Fasten the electric cable (16) to the bar with the two cable clamps (14). (See pg. 6)

NOTE: The two centre bars can be secured in two positions to adjust the handle bar to your height.

Mounting and emptying the collecting basket (Fig. 2)

⚠ WARNING: Never operate the machine without the fully mounted collecting basket and without the impact protector. Danger of Injury!

Assembling the collecting basket:

The collecting basket is delivered in a folded state and must therefore be assembled before it is mounted on the unit.

1. Assemble the collecting basket rods.
2. Slip the plastic straps over the collecting basket rods.

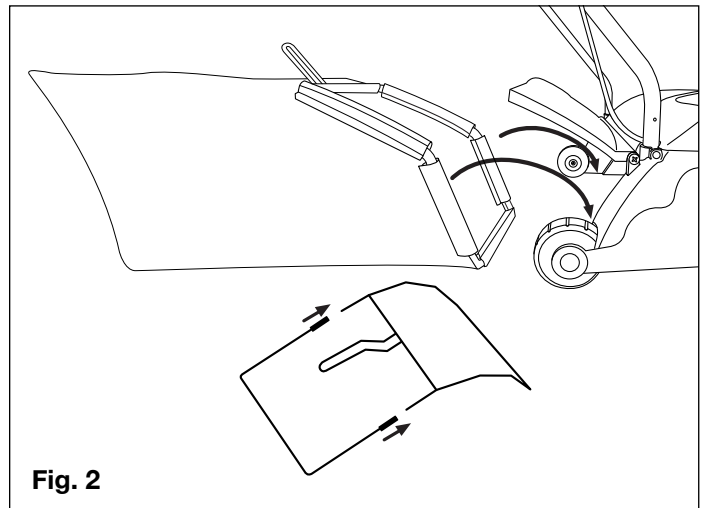


Fig. 2

Mounting the collecting basket

3. Lift the impact protector.
4. Push the pins on the collecting basket rods into the socket in the housing.
5. Release the impact protector so that it holds the collecting basket in its position.

Removing and emptying the collecting basket:

6. Lift the impact protector and take out the collecting basket.

Operation

Setting the working positions (Using the adjusting knob)

The unit has 5 principal position settings:

Setting 0 : Transport position

This position sets the maximum safety spacing between the tool and the floor.

Setting 1 : Working position

Set this position when working with a new implement.

Settings 2 - 4 : Readjustment positions

The working position can be lowered with increased sprung tine wear. The readjusting depth amounts to approx. 3 mm per setting. Use the millimeter scale readings for fine setting.

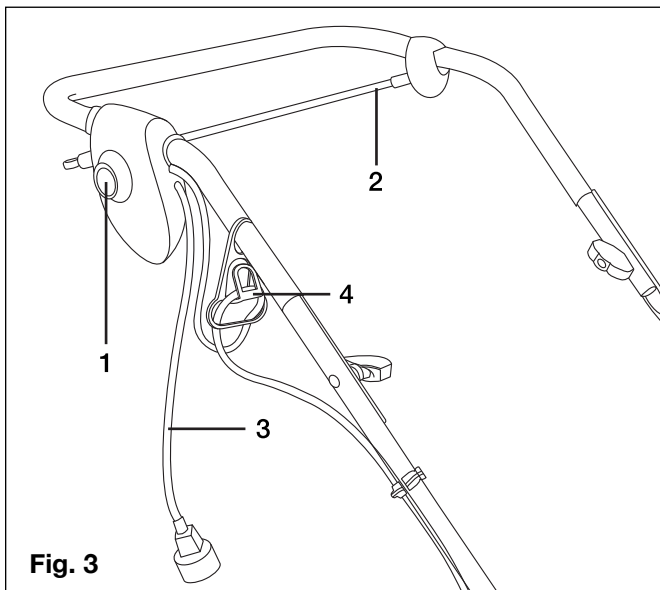
NOTES: When the unit is delivered it is in the Transport Position 0 setting.

The unit must be switched off to set the working position. Press the adjusting knob down and turn it to the required position until it locks in place (the knob immediately rises again).

⚠ The adjusting knob is not intended for height adjustment but rather to compensate for wear. Selection of a readjustment position without the corresponding wear can overload the motor and damage the cylinder.

Switching ON and OFF (Fig. 3)

⚠ Before switching on the unit ensure that it is not in contact with any objects. Keep your feet and hands well away from the cylinder and the ejector opening. Danger of injury!



1. Place the unit on a level lawn surface.
2. Form a loop in the end of the power cable and hang it into the strain relief (4).

3. Connect the unit to the mains voltage.

4. To switch on press the unlocking button on the handle (1) and simultaneously press the starting lever (2). Release the unlocking button (1). The unit will continue to run.

5. To switch off release the starting lever (2). (See Fig. 3)

Overload Protection

The motor is automatically switched off when the unit is overloaded. Release the starting lever and the unit will reset after a cooling down period of approx. 1 minute.

⚠ WARNING! The cylinder continues to run for a brief period after the unit has been switched off. Do not tilt or carry the unit while the motor is still running and do not touch the cylinder while it is still rotating. Danger of injury!

Working with the unit

Dethatcher is a more intensive intervention and should only be carried out once a year; the best time being in spring after the lawn has been mowed for the first time.

⚠ WARNING! When working on slopes always proceed across the slope. Be particularly careful when walking backwards and pulling the implement. Danger of stumbling!

The unit can be operated with or without the collecting basket.

- Select the appropriate working or readjustment position (in the event of cylinder wear) so that the unit is not overloaded.
- Commence work in the vicinity of the power socket and proceed away from the socket.
- Always ensure that the extension cable is behind you, and after turning move it to the side that has already been treated.
- Guide the unit at a walking pace down lanes that are as straight as possible. To ensure uninterrupted cultivating the individual lanes should always overlap by a few centimeters. Dwelling too long at the same place while the implement is running can damage the grass sward.
- To ensure that the extension cable is not an impediment, turn the unit in such a manner that the cable strain release on the bar always faces the side that has been treated.

⚠ After work and to transport the unit disconnect the power plug and wait until the cylinder is stopped.

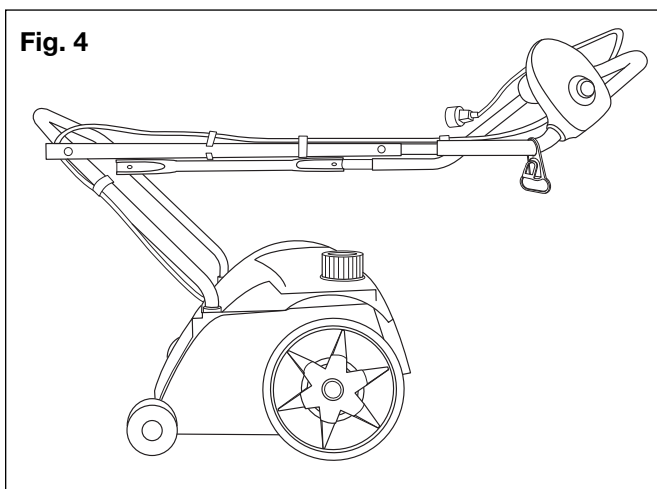
- Adjust the transport to position 0 setting (see “Setting the Working Position”) when transporting the unit.
- Lift the unit to transport it over steps and sensitive surfaces (e.g. tiles).
- Always clean the unit after each use (see “Cleaning, Maintenance, Storage”).

Cleaning and Storage

Work that has not been described in these Instructions must be carried out by a servicing agency authorized by us. Only use original parts.

- Wear gloves when handling the cylinder.
- Prior to all maintenance and cleaning work always switch OFF the unit, disconnect the plug from the power socket and wait until the cylinder is stopped.

⚠ WARNING! Do not jet water onto the unit and do not clean it under flowing water. This would result in the danger of an electric shock and the unit could be damaged.



When work has finished remove plant residues adhering to the wheels, inside the ventilation opening, the grass ejector opening and the cylinder. Do not use hard or pointed objects for this purpose as they could damage the unit.

- Completely empty the collecting basket.
- Always keep the unit clean. Do not use cleaning agents or solvents.

Storage

- Store the unit in a dry place well out of reach of children.
- Allow the motor to cool down before placing the unit in a closed room.
- Do not wrap nylon sacks around the unit as this could result in the formation of moisture.

Loosen the wing nuts so that the bar can be folded up for space-saving storage. See Fig. 4.

Ensure that the cables are not squeezed.

Maintenance

⚠ WARNING! Always turn off the dethatcher and unplug the power cord from the outlet before maintaining the dethatcher.

General

1. Clean the product with a slightly damp cloth and pH-neutral soap. Use a brush for areas that are hard to reach.
2. In particular clean the air vents after every use with a cloth and brush.
3. Remove stubborn dirt with high pressure air (max. 3 bar).
4. Check for worn or damaged parts. Replace worn parts as necessary or contact an authorised service centre for repair before using the product again.
5. Regularly check for obvious defects such as loose, dislodged or damaged cutting device, loose fixings and worn or damaged components.
6. Check that covers are undamaged and correctly fitted. Carry out necessary maintenance or repairs before using the product.
7. This product does not contain any parts that can be repaired by the consumer. Contact a qualified specialist to have it checked and repaired.

Cutting Device

⚠ WARNING! Wear safety gloves when working on the cutting device and close to it! Use appropriate tools to remove debris. Never use your bare hands!

1. Keep the cutting blades clean and free of debris.
2. Apply a small amount of suitable lubricant along the edge of the cutting device to retain a good cutting performance.

Power Cord

1. If the power cord is damaged, it must be replaced by the manufacturer, its service agent or similarly qualified persons in order to avoid a safety hazard.

Troubleshooting

⚠ WARNING! Only perform the steps described within these instructions!

All further inspection, maintenance and repair work must be performed by an authorized service center or a similarly qualified specialist if you cannot solve the problem yourself!

Suspected malfunctions, disturbances or damages are often due to causes that the user can fix themselves. Therefore check the product using this section. In most cases the problem can be solved quickly.

Problem	Possible cause	Solution
1. Product does not start	1. Not connected to power supply 2. Power cord or plug is defect 3. Other electrical defect to the product	1. Connect to power supply 2. Check by an electrician 3. Check by an electrician
2. Product does not reach full power	1. Extension cord not suitable for operation with this product 2. Power source (e.g. generator) has too low voltage 3. Air vents are blocked	1. Use a proper extension cord 2. Connect to another power source 3. Clean the air vents
3. Unsatisfying result	1. Cutting device worn	1. Have a specialist to replace it

Service and Support

If your Electric Dethatcher requires service or maintenance, please call 1-866-766-9563 for assistance.

Model and Serial Numbers

When contacting the company or reordering parts, you will need to provide the model and serial numbers of your product. These are found on the decal affixed to the housing or guard of your Electric Dethatcher. Copy these numbers into the space provided below:

Record the following numbers from the housing or handle of your new product:

Model #:
A | J | 8 | 0 | 0 | E

Serial #:

 | | | | | | | | | | | | | | | | | | | | |

NOTES



A Two-Year Full Warranty for residential use in the United States and Canada



General Conditions:

Snow Joe, LLC warrants this product to the original purchaser for two years against defects in material or workmanship when used for normal residential purposes. Snow Joe, LLC will repair any defect in material or workmanship, and repair or replace any defective part, subject to the conditions, limitations, and exclusions set forth herein. Such repair or parts replacement will be free from charge to the original purchaser except noted below.

The duration of the warranty applies only if the product is put to personal use around the household or residence. If the product is put to any business use, commercial or industrial, then the duration of this warranty is 90 days from the date of original purchase. If any product is rented or leased, the duration of the warranty is 90 days from the date of original purchase.

It is the owner's responsibility to perform correctly all maintenance, and minor adjustments explained in the owner's manual.

Electric Products:

To obtain a replacement electric powered unit or repair the existing electric powered unit, you must return the complete unit and postage prepaid to: Snow Joe Return Center, 86 Executive Avenue, Edison, NJ 08817.

Gasoline / Battery Products:

Limitations

- Batteries are warranted only for the period of 12 months after the date of purchase on a prorated basis. Rechargeable batteries will be replaced free from charge during the first 90 days. After the initial 90 days, batteries will be replaced at prorated cost to the customer
- Idlers, cables, and electrical components are warranted to the original purchaser for use at household or residence for a period of two years

Exclusions

- Snow Joe brand engines are covered under this warranty. All other engines and engine accessories are covered only by the engine manufacturer's warranty and are not covered by this warranty
- Parts used that are not genuine Snow Joe parts are not covered by this warranty
- Damages resulting from misuse, alteration, improper assembly, improper adjustment, neglect, or accident which requires repair is not covered under this warranty
- Belts, augers, and tines are not covered under warranty – belts, augers, and tines wear out and can be purchased at www.snowjoe.com or by calling 1-866-766-9563

Snow Joe, LLC may from time to time change the design of its products. Nothing contained in this warranty shall be construed as obligating Snow Joe, LLC to incorporate such design changes into previously manufactured products, nor shall such changes be construed as an admission that previous designs were defective.

This warranty is intended to cover product defects only. Snow Joe, LLC is not liable for indirect, incidental, or consequential damages in connection with the use of the Snow Joe Products covered by this warranty. This warranty does not cover any cost or expense incurred by the purchaser in providing substitute equipment or service during reasonable periods of malfunction or non-use of this product, while waiting for completion of repairs under this warranty. Some states do not allow exclusions of incidental or consequential damages, so the above exclusions may not apply in all states. This warranty may give you specific legal rights in your state.

**If you wish to contact Snow Joe, please direct inquiries to the:
Customer Service Department
Snow Joe Center
86 Executive Avenue
Edison, NJ 08817**

Customers who have purchased Snow Joe products exported from the United States and Canada should contact their Snow Joe Distributor (Dealer) to obtain information applicable for your country, province, or state. If for any reason, you are not satisfied with the distributor's service, or if you have difficulty obtaining warranty information, contact your Snow Joe seller. If in the event your efforts are unsatisfactory, please write to the Snow Joe Center at the above address.

If you have any questions about your product warranty, please call 1-866-SNOW-JOE or visit us online at www.snowjoe.com.