
Kaishan Rotary Screw Air Compressor

KRSV 25&30HP Parts Manual

PN: 97002023000134

Release June 2023, Version: F

(460V/60HZ/VSD/ASME/UL)

TABLE OF CONTENTS

Service Parts	3
Serial Number	3
Fluid Specification	4
Spare Parts	5
Airend and inlet valve.....	6
Base mounting.....	12
Reservoir	14
Driving System and Electrical Motor	16
Air Cooler	18
Fluid Piping.....	20
Cabinet.....	22
Electrical Enclosure	24
Decals	28
Standard Terms and Conditions.....	31
Appendix	34
Contact Information	35

Service Parts

The following information must be provided for ordering service parts:

1. The serial number of unit must be provided. It will be verified to ensure correct replacement parts are ordered.
2. Service parts must be ordered from closest authorized distributor.
3. Exact part number, quantity and delivery method must be provided.

All service parts must be ordered through nearest authorized distributor. Insist on genuine manufacturer parts only. Failure to do so may void product warranty.

Serial Number

The unit serial number can be found on serial number tag, which is located on the cabinet corner post of the unit. The serial number tag is shown as follows.

KAISHAN SCREW VACUUM PUMP

MODEL

SERIAL NUMBER

MAX VACUUM LEVEL HG MOTOR POWER HP

VOLTAGE DATE OF MFG

NET WEIGHT KG

KAISHAN COMPRESSOR USA, Loxley, AL
www.KaishanUSA.com

Fluid Specification

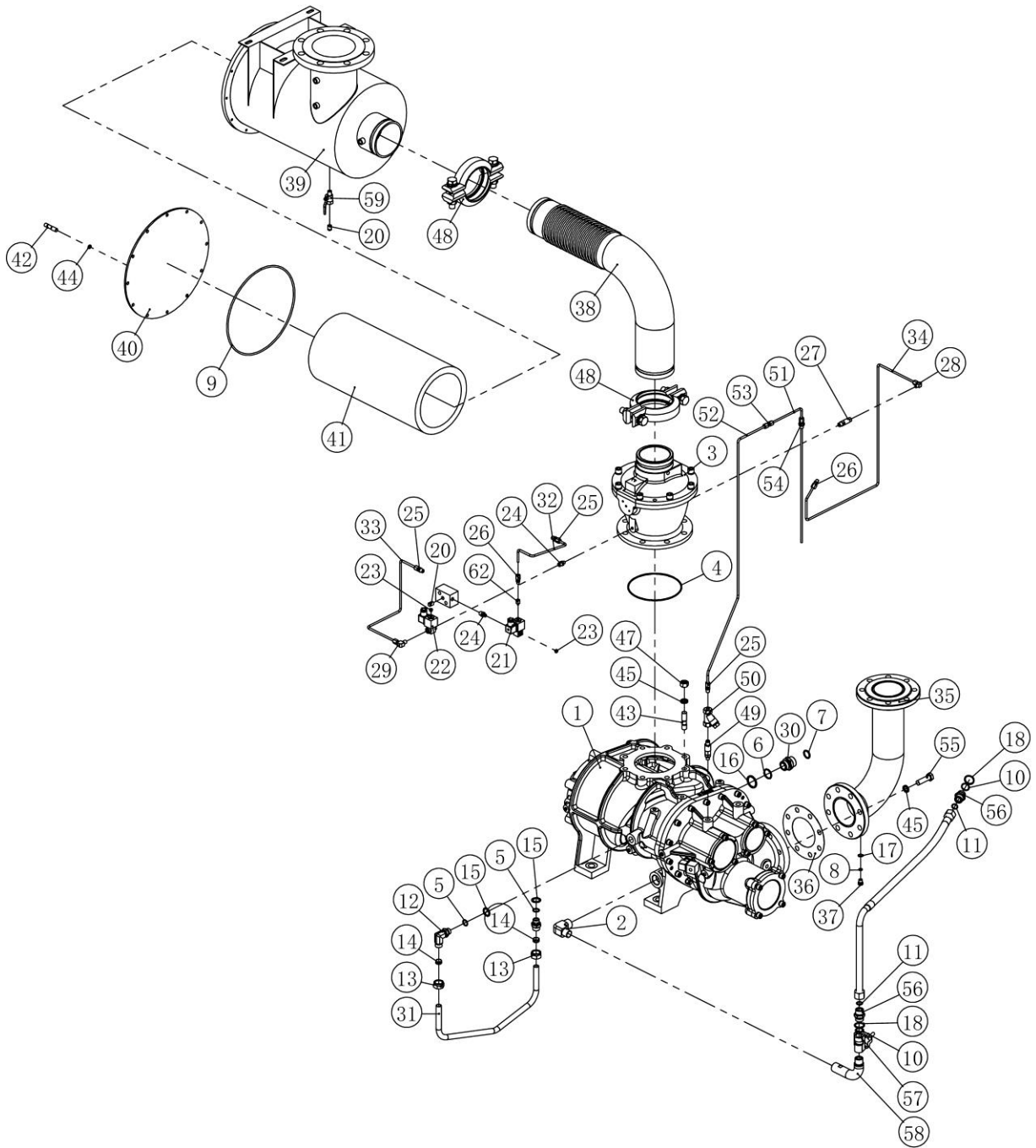
All KRSV Compressors must use KCA recommended fluid for maintenance.

Spare Parts

Recommended spare parts are shown as follows:

ITEM No.	QTY	PART NUMBER	DESCRIPTION		
1	1	537702 321810	Air filter element		
2	1	537705 330800	Oil filter		
3	1	07704 12290 00	Fluid/air separator element		

Airend and Inlet valve



Airend and Inlet valve

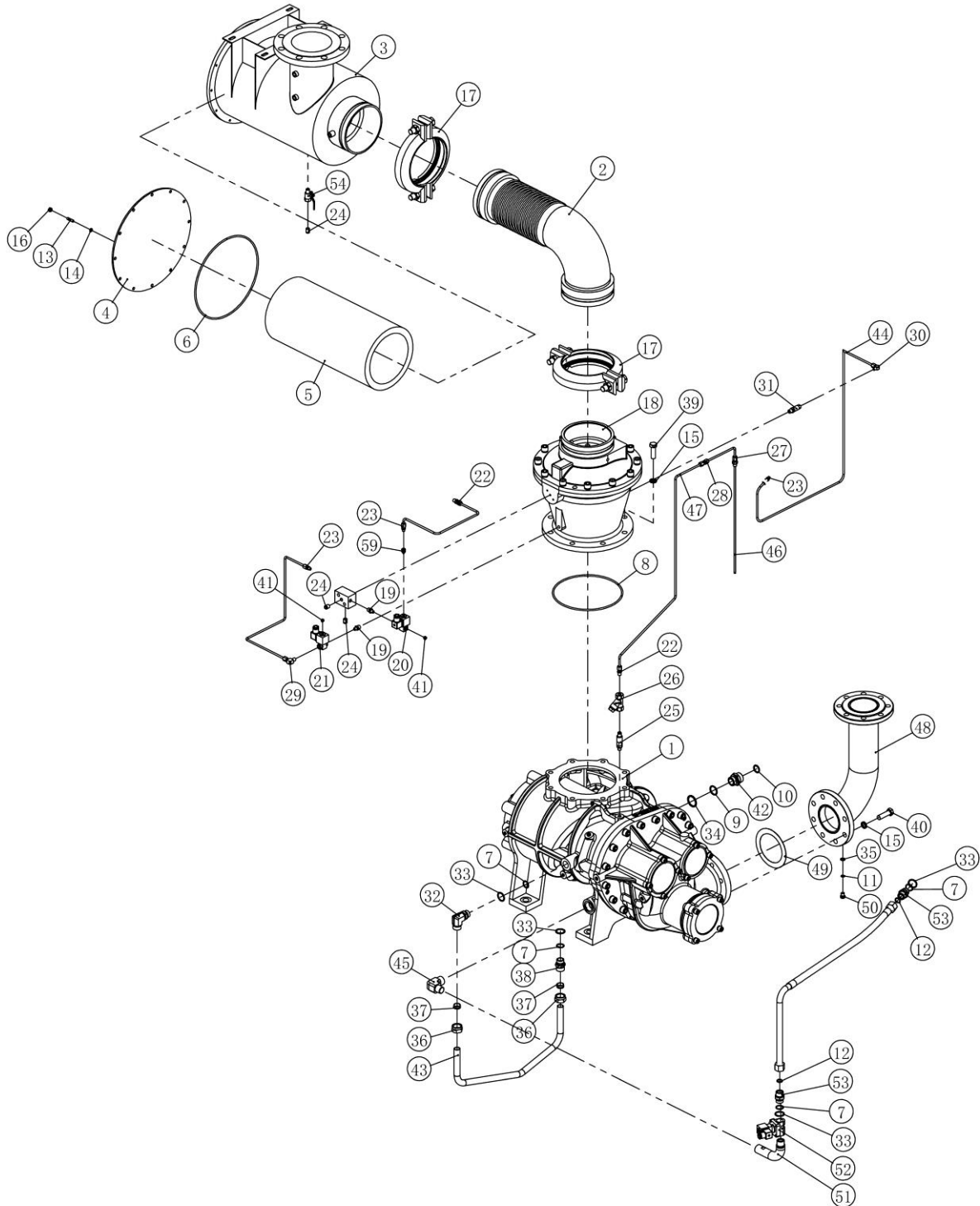
(25HP)

NO.	VERSION	PN	DESCRIPTION	QTY	REMARK
1		1800201	Airend	1	
2		18131 01005 00	Joint	1	NPT1-R3-4
3		01694 00000 00	Inlet valve	1	
3A*		04002 00105 04	Inlet valve kit	1	Oring 180x3.55, Oring 125x3.55, Oring 235x5.3, Oring 100x5.3, Oring 53x2.65, Spring A, Spring B, Oriented tape A, Oriented tape B
4		02901 18000 30	O ring	1	180*3.55
5		02901 01800 20	O ring	2	18*2.65
6		02901 03000 30	O ring	1	30*3.55
7		02901 02360 30	O ring	1	23.6*3.55
8		02901 00950 10	O ring	1	9.5*1.8
9		02901 35500 50	O ring	1	355*5.3
10		02901 02360 20	O ring	2	23.6*2.65
11		02901 01600 20	O ring	2	16*2.65
12		13435 06200 02	Joint	1	G0.5-M24x1.5
13		01504 01800 00	Nut	2	18
14		01514 01800 00	Cutting sleeve	2	18
15		02201 00015 00	Screw washer	2	
16		02201 00025 00	Screw washer	1	
17		02201 01215 00	Screw washer	1	
18		02201 00020 00	Screw washer	2	
19		13049 06005 00	Joint	1	
20		02103 00008 00	Plug	3	
21		01603 31016 00	Solenoid valve	1	5bar,1.5
22		01603 31015 00	Solenoid valve	1	12bar,1.5
23		07711 04005 00	Muffler	2	
24		98018 07011 03	Joint	2	
25		01512 06130 00	Joint	3	
26		01512 06100 00	Joint	2	
27		01610 03000 00	Check valve	1	
28		01513 06100 00	Joint	1	
29		01513 06130 00	Joint	1	
30		16315 06009 09	Joint	1	
31		86031 01002 01	Oil injection pipe	1	
32		86031 01120 01	Air control pipe	1	
33		86031 01130 01	Air control pipe	1	
34		86031 01003 01	Oil return pipe	1	
35		86031 03001 01	Airend discharge pipe	1	
36		02216 11160 86	Gasket	1	
37		18404 03100 00	Plug	1	M12X1.5
38		86031 01001 01	Air filter connecting pipe	1	
39	S01	86031 08010 11	Air filter shell	1	

Airend and inlet valve

NO.	VERSION	PN	DESCRIPTION	QTY	REMARK
40	S01	87031 08010 21	Air filter cover	1	
41		537702 321810	Air filter element	1	
42		01391 08020 02	Stud	1	AM8×20
43		01391 16045 00	Stud	1	M16*45
44		01365 08000 00	Washer	1	8
45		01365 16000 00	Washer	2	16
46		01322 08000 00	Nut	1	M8
47		01322 14000 00	Nut	1	M14
48		01530 10113 30	Joint	2	
49		01610 01020 02	Visible check valve	1	
50		07706 00025 00	filter	1	
51		86031 01005 11	Scavenging pipe	1	
52		86031 01005 21	Scavenging pipe	1	
53		01558 06000 00	Joint	1	
54		92217 03300 00	Joint	1	
55		01307 16055 00	Bolt	1	M16*55
56		12315 06004 09	Joint	2	
57		01603 00014 03	Solenoid valve	1	16bar,18
58		91031 01210 01	Connecting pipe	1	
59		01613 00800 11	Ball valve	1	
60	S01	18031 07002 00	Connecting block	1	
61		91031 01220 01	Air pipe	1	
62		91031 01250 01	Joint	1	M5-Rp0.125

Airend and Inlet valve



Airend and Inlet valve

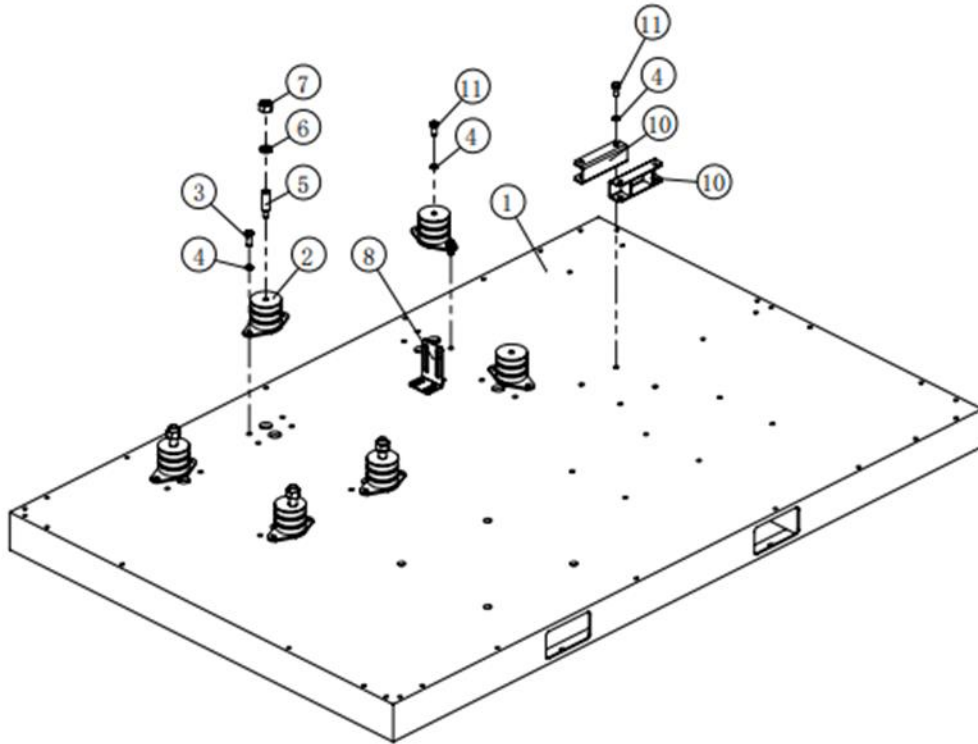
(30HP)

NO.	VERSION	PN	DESCRIPTION	QTY	REMARK
1		1790201	Airend	1	
2	S01	87031 01001 01	Air filter connecting pipe	1	
3	S01	87031 08010 11	Air filter shell	1	
4	S01	87031 08010 21	Air filter cover	1	
5		537702 321810	Air filter element	1	
6		02901 35500 50	O ring	1	355*5.3
7		02901 02360 20	O ring	4	23.6*2.65
8		02901 25000 50	O ring	1	250*5.3
9		02901 03000 30	O ring	1	30*3.55
10		02901 02360 30	O ring	1	23.6*3.55
11		02901 00950 10	O ring	1	9.5*1.8
12		02901 01600 20	O ring	2	16*2.65
13		01391 08020 02	Bolt	1	M8*20
14		01365 08000 00	Washer	1	8
15		01365 16000 00	Washer	9	16
16		01322 08000 00	Nut	1	M8
17		01530 10119 37	Joint	2	
18		01688 00000 00	Inlet valve	1	
18A*		04002 00160 05	Inlet valve kit	1	20X2.65 oring, 150X5.3 oring, 30X2.65 oring (2), 180X3.55 oring, 320x5.3 oring, guide belt, spring A, guide belt A, spring B, guide belt B
19		98018 07011 03	Joint	2	
20		01603 31016 00	Solenoid valve	1	5bar,1.5
21		01603 31015 00	Solenoid valve	1	12bar,1.5
22		01512 06130 00	Joint	2	
23		01512 06100 00	Joint	3	
24		02103 00008 00	Plug	3	
25		01610 01020 02	Visible check valve	1	
26		07706 00025 00	Filter	1	
27		92217 03300 00	Joint	1	
28		01558 06000 00	Joint	1	
29		01513 06130 00	Joint	1	
30		01513 06100 00	Joint	1	
31		01610 03000 00	Check valve	1	
32		15435 06200 02	Joint	1	G0.75-M30x2
33		02201 00020 00	Screw washer	4	
34		02201 00025 00	Screw washer	1	
35		02201 01215 00	Screw washer	1	
36		01504 02200 00	Nut	2	22
37		01514 02200 00	Cutting sleeve	2	22
38		16403 06005 00	Joint	1	
39		01307 16050 00	Bolt	8	M16*50

Airend and inlet valve

NO.	VERSION	PN	DESCRIPTION	QTY	REMARK
40		01307 16055 00	Bolt	1	M16*55
41		07711 04005 00	Muffler	2	
42		16315 06009 09	Joint	1	
43		87031 01002 01	Oil injection pipe	1	
44		87031 01003 01	Oil return pipe	1	
45		18131 01005 00	Joint	1	NPT1-R3-4
46		87031 01005 11	Scavenging pipe	1	
47		87031 01005 21	Scavenging pipe	1	
48		87031 03001 01	Airend discharge pipe	1	
49		02216 10016 06	Gasket	1	
50		18404 03100 00	Plug	1	M12X1.5
51		91031 01210 01	Connecting pipe	1	
52		01603 00014 03	Solenoid valve	1	16bar,18
53		12315 06004 09	Joint	2	
54		01613 00800 11	Ball valve	1	
55	S01	18031 07002 00	Connecting block	1	
56	S01	91031 01120 01	Air control pipe	1	
57	S01	91031 01130 01	Air control pipe	1	
58		91031 01220 01	Air pipe	1	
59		91031 01250 01	Joint	1	M5-Rp0.125

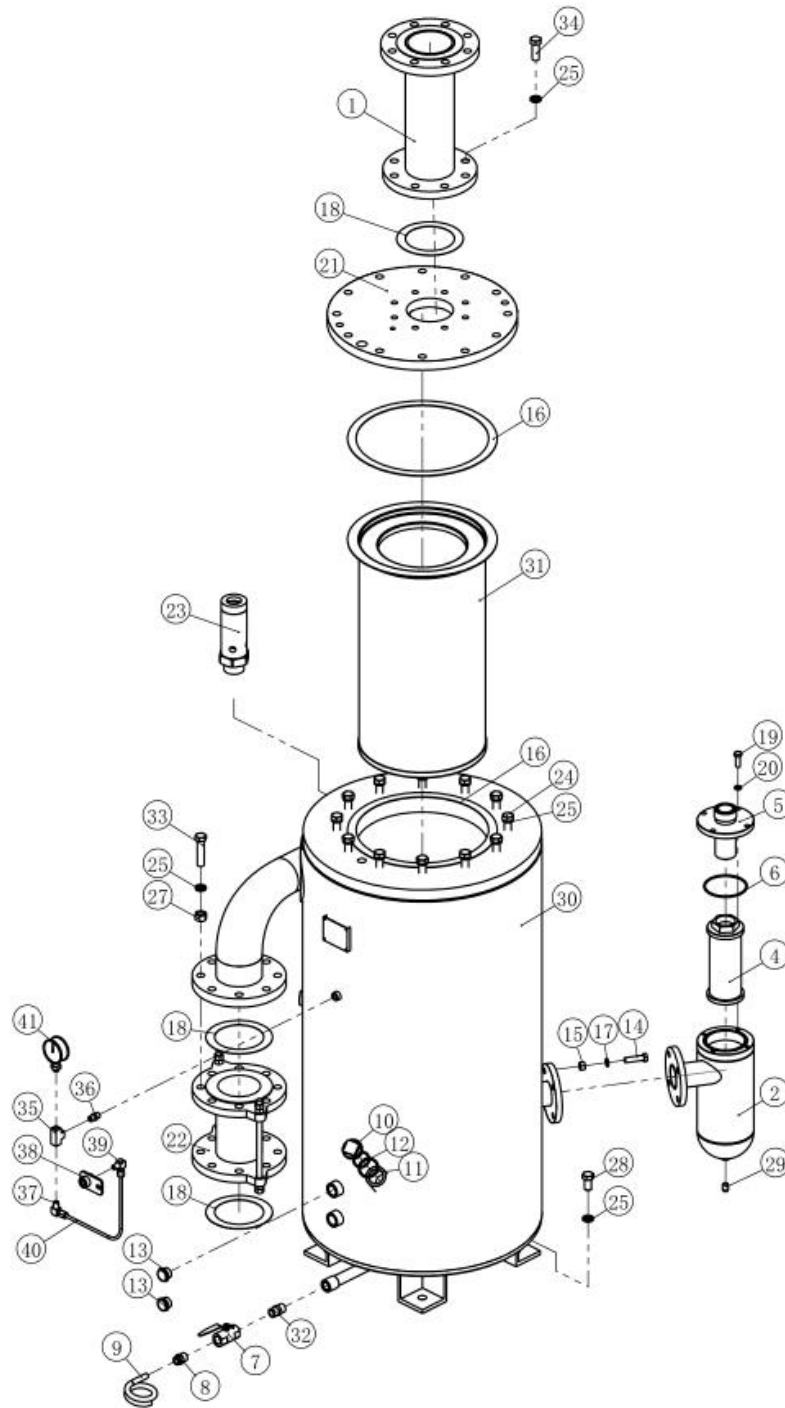
Base mounting



Base mounting

NO.	VERSION	PN	DESCRIPTION	QTY	REMARK
1	S01	87031 02010 01	Base	1	
2		02905 00001 00	Absorber	6	
3		01307 12030 00	Bolt	1	M12×30
4		01365 12000 00	Washer	4	12
5		13031 02001 00	Bolt	4	
6		01365 20000 00	Washer	1	20
7		01322 20000 00	Nut	4	M20
8		12333 00005 00	Fixing plate,shipping	1	
9		01365 16000 00	Washer	1	16
10	S01	87031 02001 01	Motor support	2	
11		01307 12025 00	Bolt	3	M12×25

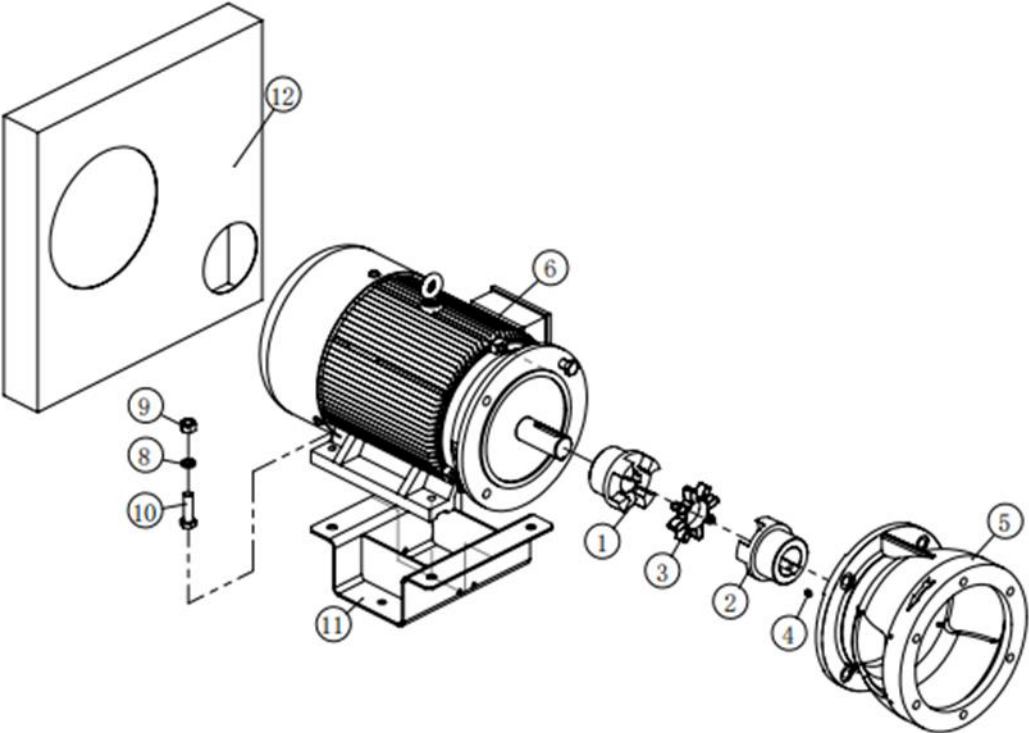
Reservoir



Reservoir

NO.	VERSION	PN	DESCRIPTION	QTY	REMARK
1	S01	87031 03005 01	Air discharge pipe	1	
2		91031 03006 01	Oil strainer seat	1	
3	S01	02216 04016 06	Gasket	1	
4		07706 16901 60	Oil strainer element	1	
5		91031 03002 01	Oil strainer flange	1	
6	S01	02901 10000 30	O ring	1	100X3.55
7		01613 01500 00	Ball valve	1	DN15
8		01543 21012 00	Joint	1	
9		02917 12300 00	Nylon pipe	1	
10		13340 03003 00	Plug	1	
11		02201 03320 00	Screw washer	1	
12		02901 03350 30	O ring	1	33.5X3.55
13		02102 00020 00	Sight glass	2	
14		01307 12045 00	Bolt	1	M12×45
15		01322 12000 00	Nut	1	M12
16		02216 31225 01	Gasket	2	
17		01365 12000 00	Washer	1	12
18		02216 10016 06	Gasket	3	
19		01307 10030 00	Bolt	1	M10×30
20		01365 10000 00	Washer	1	10
21		87031 03010 81	Lid	1	
22		26404 07004 00	Corrugated pipe	1	
23		01601 40015 07	Safety valve	1	
24		01307 16055 00	Bolt	11	M16×55
25		01365 16000 00	Washer	15	16
26		01306 16065 00	Bolt	1	M16×65
27		01322 16000 00	Nut	1	M16
28		01307 16030 00	Bolt	1	M16×30
29		02103 00008 02	Plug	1	
30		87031 03010 01	Air/fluid separator tank	1	
31		07704 12290 00	Air/fluid separator element	1	
32		13340 03004 00	Joint	1	
33		01306 16070 00	Bolt	1	M16×70
34		01307 16045 00	Bolt	1	M16×45
35		11476 07003 00	Tee joint	1	1/4
36		98018 07011 00	Joint	1	
37		01513 06130 00	Joint	1	
38		90217 03100 00	Pressure gauge seat	1	
39		01513 06140 00	Joint	1	
40		87031 03100 01	Connecting pipe	1	
41		02801 06301 00	Pressure gauge	1	

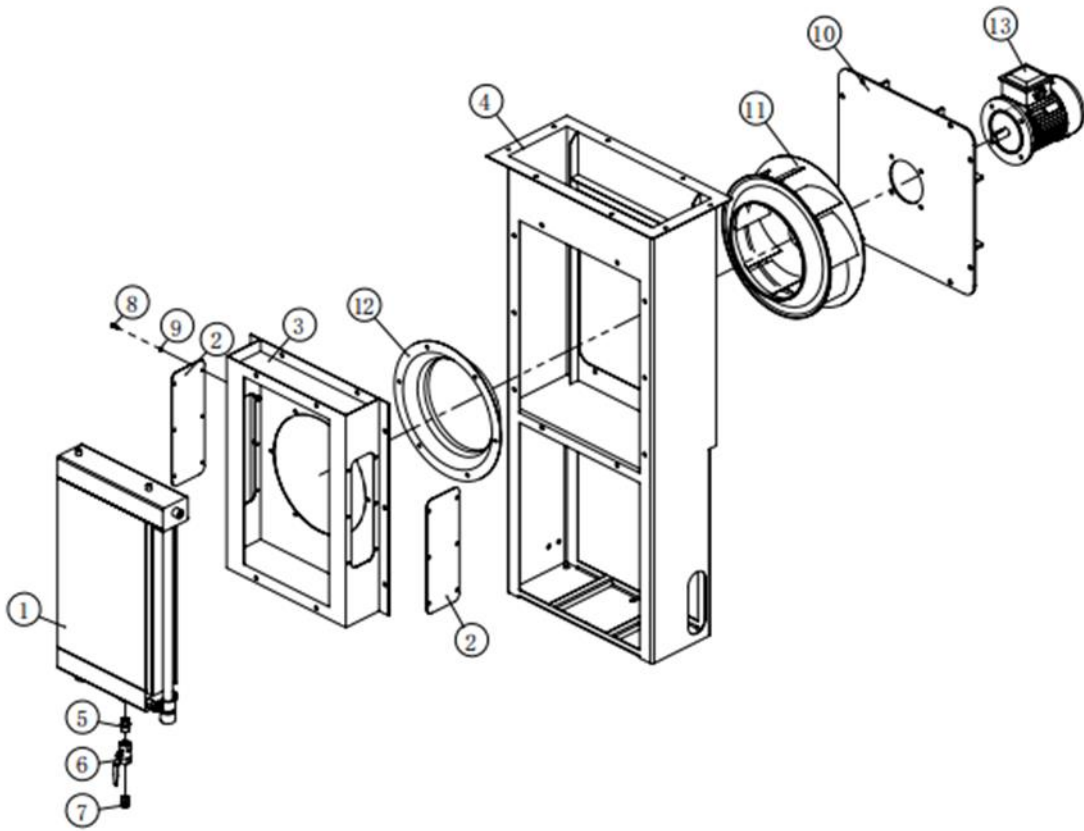
Driving System and Electrical Motor



Driving System and Electrical Motor

NO.	VERSION	PN	DESCRIPTION	QTY	REMARK
1		01905 05504 80	Half coupling	1	
2		01905 05506 00	Half coupling	1	30HP
		01905 05505 50		1	25HP
3		01908 05500 00	Elastomer	1	
4		01347 10010 00	Set screw	2	M10X10
5		01914 17026 00	Motor adaptor	1	30HP
		01914 14815 00			25HP
6		64022 46043 25	Motor(WEG)	1	30HP
		64018 46043 25		1	25HP
7		01306 18070 00	Bolt	1	M18×70
8		01365 18000 00	Washer	4	18
9		01322 18000 00	Nut	4	M18
10		01307 18060 00	Bolt	4	M18×60
11	S01	87031 02002 01	Motor support	1	30HP
	S01	86031 02002 01		1	25HP
12	S01	87031 08400 01	Motor air inlet	1	30HP
	S01	86031 08400 01		1	25HP

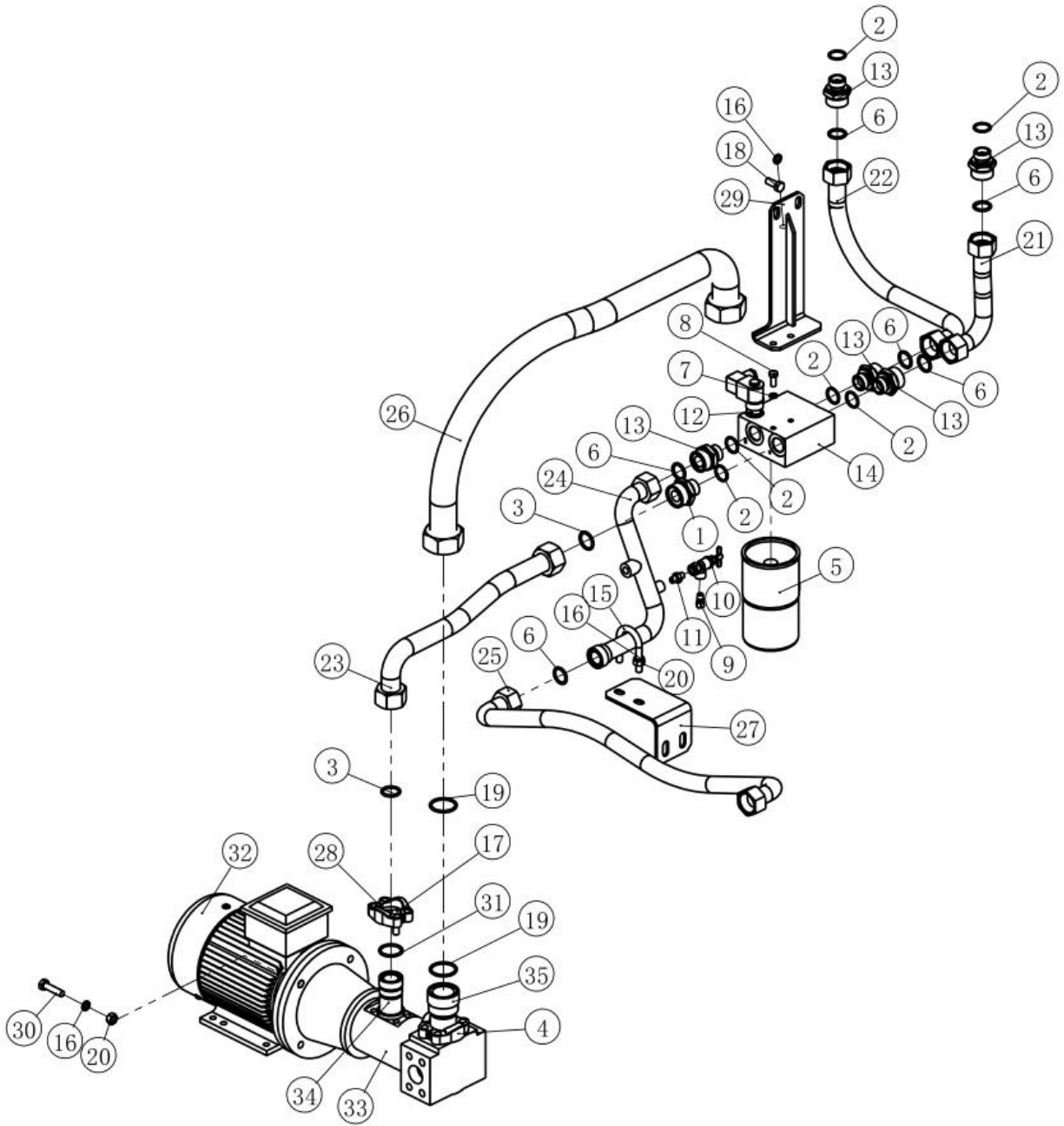
Air Cooler



Air Cooler

NO.	VERSION	PN	DESCRIPTION	QTY	REMARK
1	S01	87031 05010 11	Oil cooler	1	
2	S01	91031 05006 01	Seal cover	2	
3	S01	87031 05001 01	Cooler support	1	
4	S01	87031 05002 01	Fan motor support	1	
5		91001 05005 00	Joint	1	
6		01613 01500 00	Ball valve	1	DN15
7		01543 21012 00	Joint	1	
8		01307 06016 00	Bolt	1	M6×16
9		01365 06000 00	Washer	1	6
10	S01	95217 05007 00	Fan motor fixing plate	1	
11		07262 40024 10	Impeller	1	
12		07262 40000 20	Collector	1	
13		66175 37651 21	Motor(WEG 0.75KW)	1	

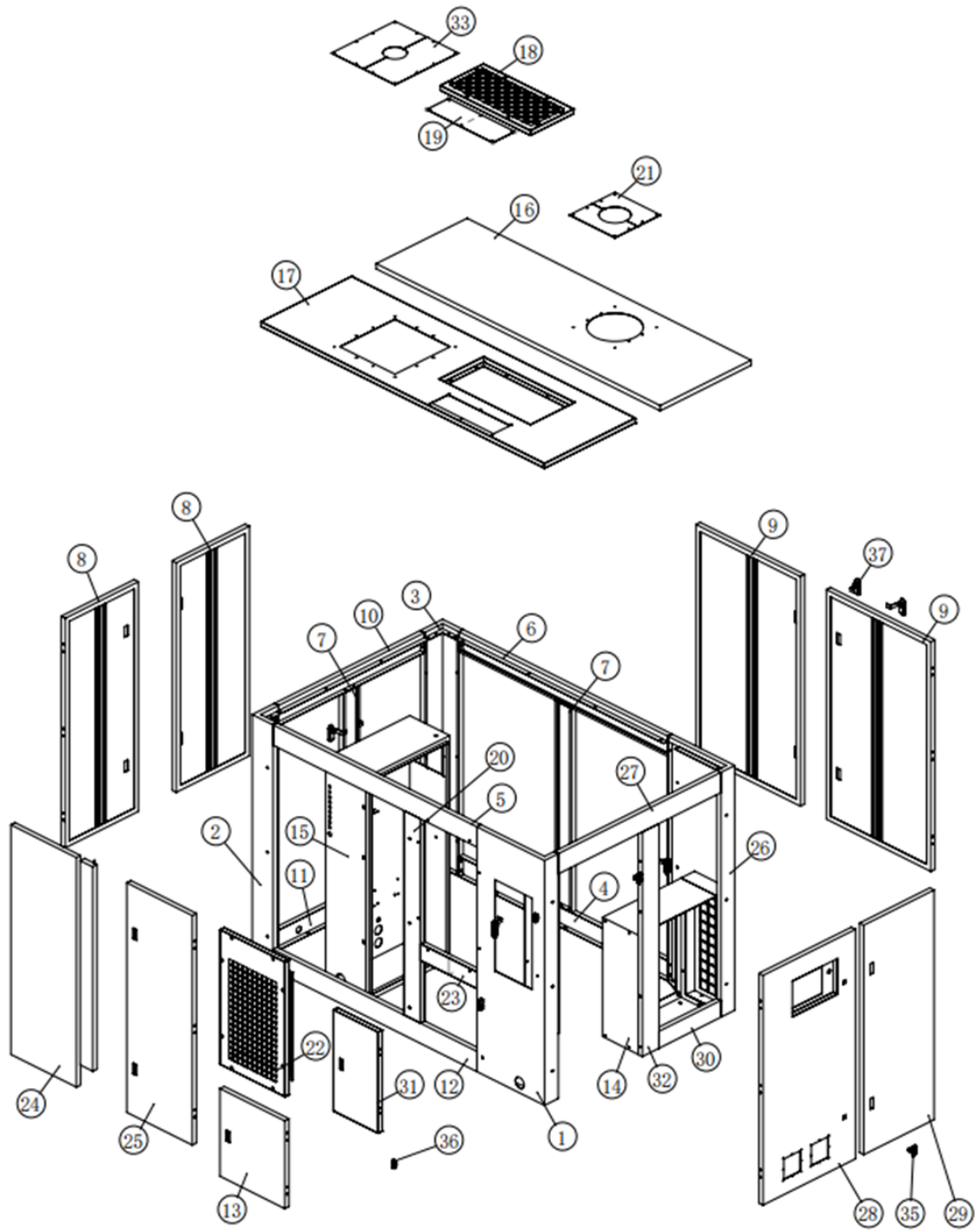
Fluid Piping



Fluid Piping

NO.	VERSION	PN	DESCRIPTION	QTY	REMARK
1		89817 06003 00	Joint	1	
2		02901 91200 30	O ring	6	3-912
3		02901 02580 30	O ring	2	25.8X3.55
4		01555 03200 00	SAE flange	2	
5		537705 330800	Oil filter	1	
6		02901 02360 30	O ring	6	23.6X3.55
7		01365 08000 00	Washer	1	8
8		01307 08020 00	Bolt	1	M8×20
9		01511 06100 00	Joint	1	
10		01613 00600 99	Sample valve	1	
11		98018 07011 06	Joint	1	
12		02809 02000 00	Oil filter indicator	1	
13		91001 06004 00	Joint	5	
14		01611 02018 37	Thermal valve	1	
14A*		04004 34001 00	Thermal valve kit	1	Check ring, O'ring 30x2.65, adjustable block, thread sleeve, valvce element, plunger, spring
15		01313 03300 00	U bolt	1	33
16		01365 10000 00	Washer	4	10
17		01306 10035 00	Bolt	1	M10×35
18		01307 10025 00	Bolt	1	M10×25
19		02901 03870 30	O ring	2	38.7X3.55
20		01322 10000 00	Nut	2	M10
21		87031 06003 01	Oil pipe	1	Inlet cooler
22		87031 06004 01	Oil pipe	1	Outlet cooler
23		87031 06006 01	Oil pipe	1	Pump to thermal valve
24		87031 06001 01	Oil pipe	1	Inlet aierend
25		87031 06002 01	Oil pipe	1	Inlet aierend
26		87031 06007 01	Oil pipe	1	Tank to pump
27	S01	87031 06100 01	Oil pipe support	1	
28		01555 02500 00	SAE flange	2	
29	S01	87031 06005 01	Oil pipe support	1	
30		01306 10040 00	Bolt	1	M10×40
31		02901 03350 30	O ring	1	33.5X3.55
32		64001 46641 24	Motor (1.1KW)	1	
33		GR32SMT16B75LGV	Oil pump	1	30HP
		GR32SMT16B55LGV		1	25HP
34		87031 06110 01	Oil pump connecting pipe	1	
35		87031 06120 01		1	

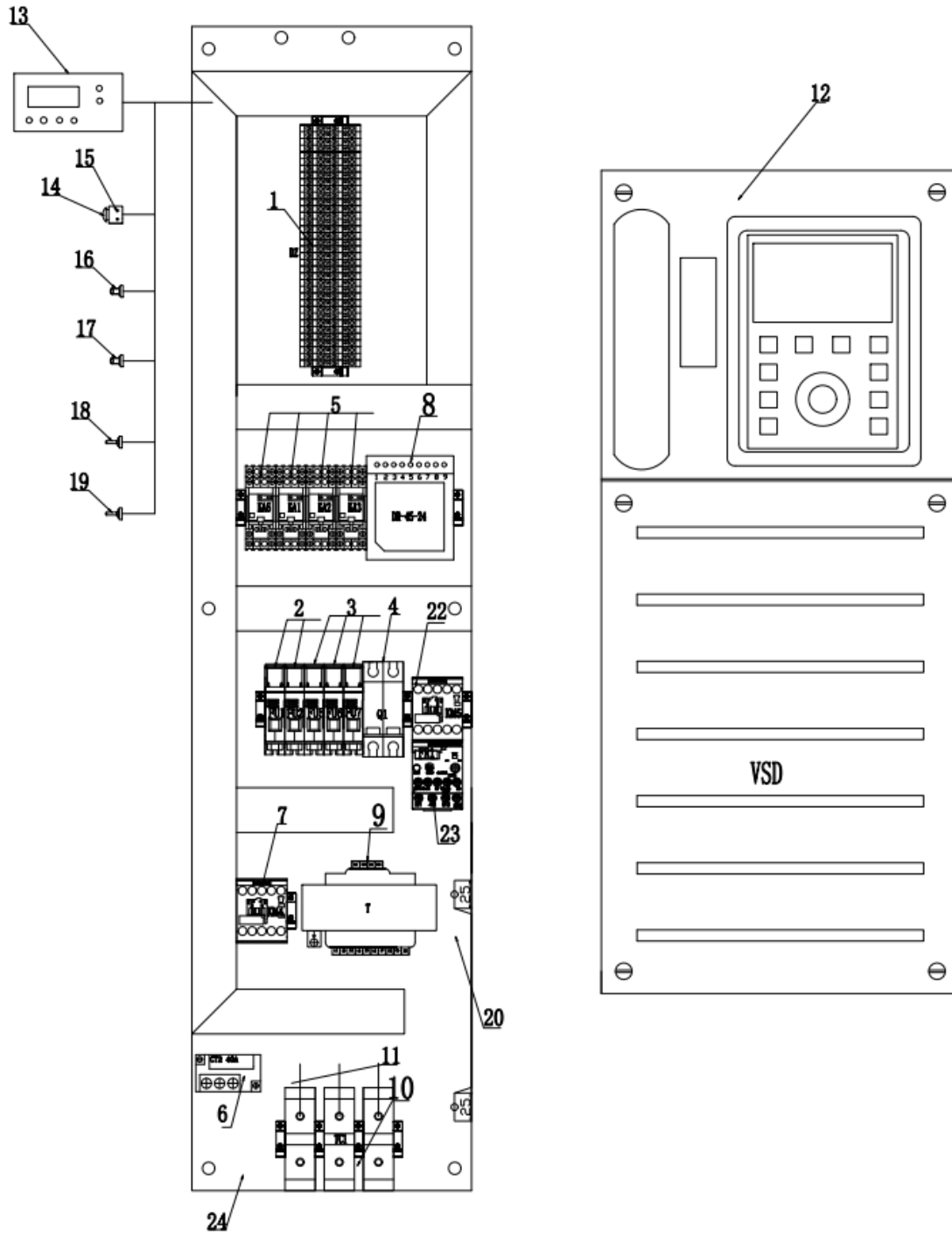
Cabinet



Cabinet

NO.	VERSION	PN	DESCRIPTION	QTY	REMARK
1	S01	87031 08001 01	Support	1	
2	S01	87031 08002 01	Support	1	
3	S01	87031 08004 01	Support	1	
4	S01	87031 08005 01	Beam	1	
5	S01	87031 08006 01	Beam	1	
6	S01	87031 08007 01	Beam	1	
7	S01	87031 08110 01	Support	2	
8	S01	87031 08120 01	Door	2	
9	S01	87031 08130 01	Door	2	
10	S01	87031 08140 01	Beam	1	
11	S01	87031 08160 01	Beam	1	
12	S01	87031 08170 01	Beam	1	
13	S01	87031 08190 01	Door	1	
14	S01	87031 08200 01	Air box	1	
15	S01	87031 08220 01	Electrical enclosure	1	
16	S01	87031 08250 01	Top cover	1	
17	S01	87031 08260 01	Top cover	1	
18	S01	87031 08270 01	Top mesh plate	1	
19	S01	87031 08280 01	Cool seal plate	1	
20	S01	87031 08290 01	Support	1	
21	S01	16031 08290 00	Air filter plate	1	
22	S01	87031 08300 01	Air inlet mesh plate	1	
23	S01	87031 08310 01	Fixing plate	1	
24	S01	87031 08330 01	Door	1	
25	S01	87031 08340 01	Door	1	
26	S01	87031 08350 01	Support	1	
27	S01	87031 08360 01	Support	1	
28	S01	87031 08370 01	Door	1	
29	S01	87031 08380 01	Door	1	
30	S01	87031 08390 01	Fixing plate	1	
31	S01	87031 08410 01	Door	1	
32	S01	87031 08420 01	Fixing plate	1	
33	S01	87031 08430 01	Baffle	1	
34		02701 20601 00	Hinge	4	
35		02702 71111 03	Lock	2	
36		02702 22200 00	Hinge	2	
37		02702 84301 00	Lock	4	
38		02702 84301 00	Lock	2	
*		07706 09805 05	Frame VSD cabinet filter	1	*Not shown on the drawing
*		07706 98032 00	Frame VSD cabinet filter, 25HP	2	
*		07706 98052 00	Frame VSD cabinet filter, 30HP	2	
		07211 22081 40	VSD Vent Fan	1	
*		160004-001	VSD cabinet filters element	1	

Electrical Enclosure



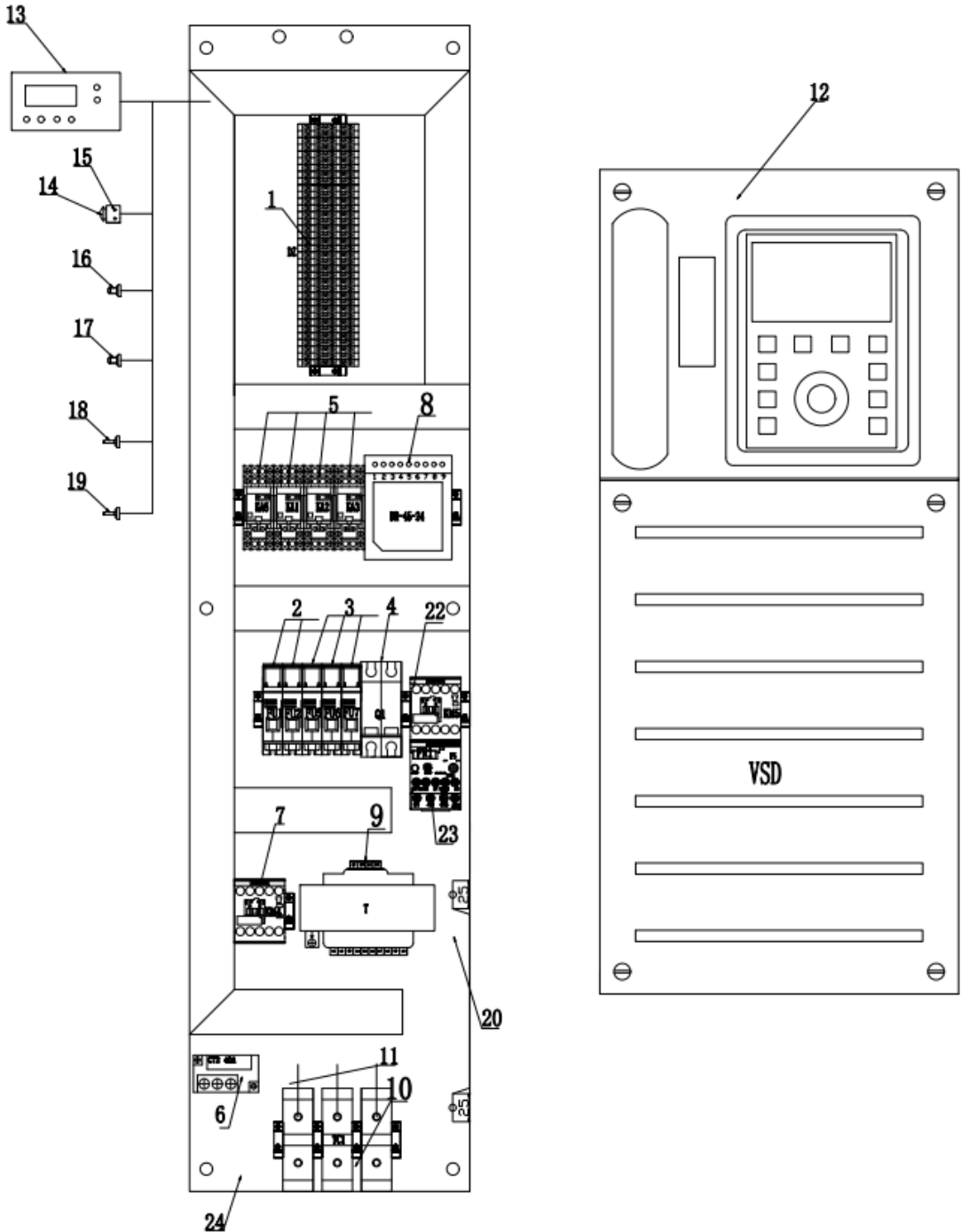
Electrical Enclosure

(25HP)

NO.	PN	DESCRIPTION	QTY	REMARK
1	08703 00004 00	Terminal block	35	DZ
2	02820 00001 00	Fuse block	2	FU1-FU2
3	02820 00001 00	Fuse block	3	FU5-FU7
4	02819 06256 00	Miniature breaker	1	Q1
5	02814 00002 00	Intermediate relay seat	4	KA1-KA3;KA6
	02814 01102 00	Intermediate relay	4	
6	02824 20040 00	Fan motor current transformer	1	CT2
7	02825 60038 00	Fan motor contactor	1	KM4
8	02808 04524 00	Power switch	1	DR
9	02818 03150 10	Transformer	1	T
10	08703 00035 00	Terminal	3	TC1
11	08704 08010 00	Cable	1.8M	BVR
12	02828 01018 04	VSD	1	VSD
13	02811 16015 00	Monitor	1	XSQ
14	02827 04844 00	Emergency button	1	JT
15	02827 04104 00	Emergency button seat	1	JT
16	02810 01082 00	Pressure sensor	1	DP
17	02810 01572 00	Pressure sensor	1	SP
18	02810 01096 00	Pressure sensor	1	IP
19	02810 30965 00	Temperature sensor	1	DT
20	02829 32020 60	Grounding copper bar	1	JDTP
22	02825 60038 00	Fan motor contactor	1	KM5
23	02814 36116 13	Cooling fan thermal overload relay	1	FR1
24	KRSVBP25.9-8(250*1040*25)	Electrical control board	1	DKB
*25	02821 10004 00	Fuse	2	FU1-FU2
*26	02821 10002 00	Fuse	3	FU5-FU7

Note: * Items are not shown on the drawing.

Electrical Enclosure



Electrical Enclosure

(30HP)

NO.	PN	DESCRIPTION	QTY	REMARK
1	08703 00004 00	Terminal block	35	DZ
2	02820 00001 00	Fuse block	2	FU1-FU2
3	02820 00001 00	Fuse block	3	FU5-FU7
4	02819 06526 00	Miniature breaker	1	Q1
5	02814 00002 00	Intermediate relay seat	4	KA1-KA3;KA6
	02814 01102 00	Intermediate relay	4	
6	02824 20040 00	Fan motor current transformer	1	CT2
7	02825 60038 00	Fan motor contactor	1	KM4
8	02808 04524 00	Power switch	1	DR
9	02818 03150 10	Transformer	1	T
10	08703 00035 00	Terminal block	3	TC1
11	08704 06016 00	Cable	1.8M	BVR
12	02828 01022 04	VSD	1	VSD
13	02811 16015 00	Monitor	1	XSQ
14	02827 04844 00	Emergency button	1	JT
15	02827 04104 00	Emergency button seat	1	JT
16	02810 01082 00	Pressure sensor	1	DP
17	02810 01572 00	Pressure sensor	1	SP
18	02810 01096 00	Pressure sensor	1	IP
19	02810 30965 00	Temperature sensor	1	DT
20	02829 32020 60	Grounding copper bar	1	JDTP
22	02825 60038 00	Fan motor contactor	1	KM5
23	02814 36116 13	Cooling fan thermal overload relay	1	FR1
24	KRSVBP30.9-8(250*1040*25)	Electrical control board	1	DKB
*25	02821 10004 00	Fuse	2	FU1-FU2
*26	02821 10002 00	Fuse	3	FU5-FU7

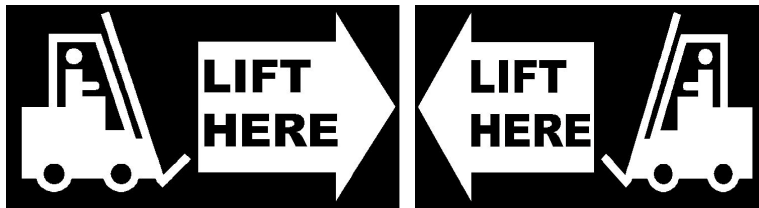
Note: * Items are not shown on the drawing.

Decals

Decals information is shown as following.



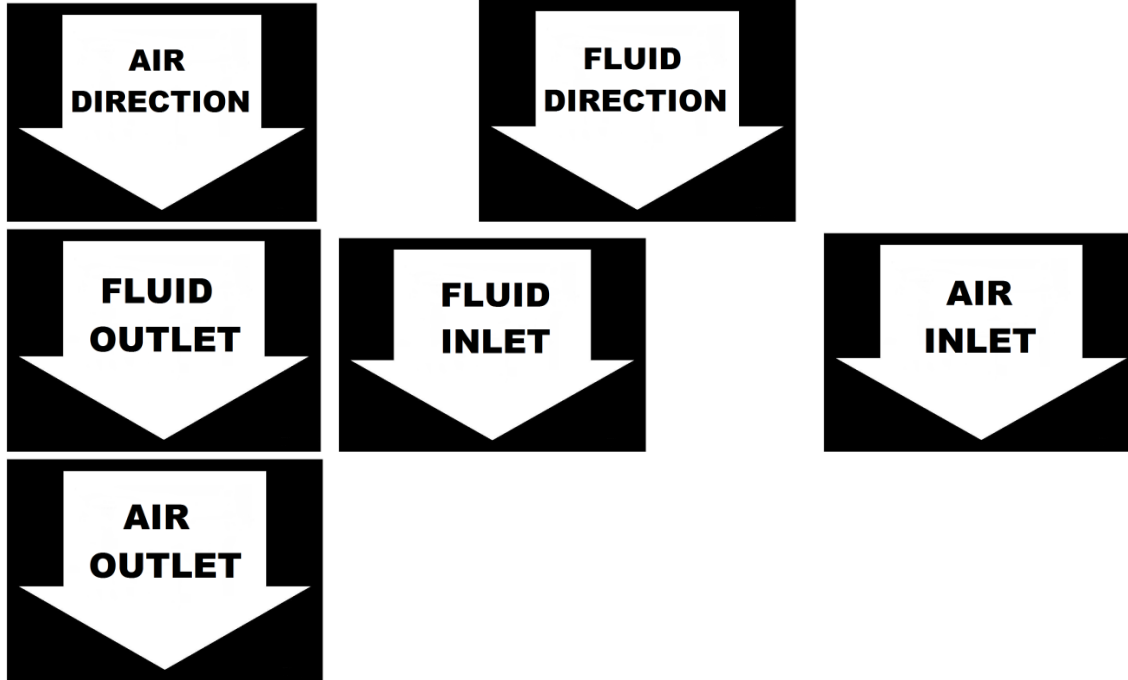
Decals



NOTE:

1. DECALS P/N : 142939

Decals



NOTE:

1. DECALS P/N : 142939

Standard Terms and Conditions

These terms and conditions govern the sale of Products (“Rotary Screw Air Compressors and parts”) and provisions of services by Kaishan Compressor USA, LLC (Seller) and its authorized representative or buyer. These terms and conditions (“Agreement”) take precedence over Buyer’s supplemental or conflicting terms and conditions to which notice of objection is hereby given. Neither Seller’s commencement of performance or delivery shall be deemed or construed as acceptance of Buyer’s supplemental or conflicting terms and conditions. KCA’s failure to object to conflicting or additional terms will not change or add to the terms of this agreement. Buyer’s acceptance of the Products and/or Services from Seller shall be deemed to constitute acceptance of the terms and conditions contained herein.

Orders: All orders placed by Buyer are subject to acceptance by Seller. Orders may not be canceled or rescheduled without Seller’s written consent. All orders must identify the products, unit quantities, part numbers, applicable prices and requested delivery dates of the Products being purchased. Seller may at its sole discretion allocate Product among its Buyer. Seller may designate certain Products and Services as non-cancelable, non-returnable and the sale of such Products shall be subject to the special terms and conditions contained in Seller’s Customer Acknowledgement or Non-Returnable Product Form, which shall prevail and supersede any inconsistent terms and conditions contained herein or elsewhere.

Prices: The prices of the Products are those prices specified on the front of the invoice or contained within an agreed written contract. Price quotations shall automatically expire in thirty (30) days from the date issued, or as otherwise stated in the quotation.

Taxes: Unless otherwise agreed to in writing by Seller, all prices quoted are exclusive of transportation and insurance costs, duties, and all taxes including federal, state and local sales, excise and value added, goods and services taxes, and any other taxes. Buyer agrees to indemnify and hold Seller harmless for any liability for tax in connection with the sale, as well as the collection or withholding thereof, including penalties and interest thereon. When applicable, transportation and taxes shall appear as separate items on Seller’s invoice.

Payment: Payment may be made by check, money order, credit card, or wire transfer (all fees are borne by the Buyer). Where Seller has extended credit to Buyer, terms of payment shall be net thirty (30) days from date of invoice, without offset or deduction. On any past due invoice, Seller may impose a monthly interest rate. If Buyer fails to make the required payments the Seller will impose the interest rate each month. If Buyer fails to make each payment when it is due, Seller reserves the right to withdraw credit and thereby suspend or cancel performance under any or all purchase orders or agreements in which Seller has extended credit to Buyer. In the event of default by Buyer, Seller shall be entitled to costs, fees, and expenses including but not limited to recovery of attorney fees, court costs and fees, and collections costs.

Standard Terms and Conditions

Delivery and Title: The locations of shipment delivery will be made according to the Seller and Buyer agreement. Title and risk of loss pass to the Buyer upon delivery of the Product to the carrier. Seller's delivery dates are estimates only and Seller is not liable for delays in delivery or for failure to perform due to causes beyond the reasonable control of the Seller, nor shall the carrier be deemed an agent of the Seller. A delayed delivery of any part of an Order does not entitle Buyer to cancel other deliveries. KCA will comply with various federal, state and local laws and regulation concerning occupational health, safety and environment concerns. Buyer has full responsibility to comply with those laws and regulations during the installation and operation of the equipment.

Acceptance / Returns: Shipments will be deemed to have been accepted by Buyer upon delivery of the said shipments to Buyer unless rejected upon receipt. Buyer shall perform all inspections and tests. Buyer deems necessary as promptly as possible but in no event later than 7 days after receipt of Products, at which time Buyer will be deemed to have irrevocably accepted the Products. Any discrepancy in shipment quantity must be reported within 7 days after receipt of Products. Buyer may not return Products without a Return Material Authorization ("RMA") number. RMA's valid for 30 days from the date issued.

Standard Warranty: Buyer will honor Product warranties and indemnities authorized by the manufacturer, including any transferable. 90 days warranty is given for service parts from receipt date. Seller warrants to Buyer that Products purchased hereunder will conform to the applicable manufacturer's specifications for such products and that any value-added work performed by Seller on such Products will conform to applicable Buyer's specifications. If Seller breaches this warranty, Buyer's remedy is limited to (at Seller's election) (1) refund of Buyer's purchase price for such Product (without interest), (2) repair of such Products, or (3) replacement of such Products provided that such Products must be returned to Seller, along with acceptable evidence of purchase within 13 days from date of delivery, transportation charges prepaid. No warranty will apply if the Product has been subject to misuse, neglect, accident or modification.

Limitation of Liabilities: Buyer shall not be entitled to, and Seller shall not be liable for, loss of profit or revenue, promotional or manufacturing expenses, overheads expenses, business interruption cost, loss of data, removal or reinstallation costs, injury to reputation of buyer, punitive damages, loss of contractor orders or any indirect, special, incidental or consequential damages of any nature. Buyer's recovery from seller for any claim shall not exceed the purchase price paid for the affected products irrespective of the nature of the claim whether in contract, tort, warranty, or otherwise. Buyer will indemnify, defend and hold seller harmless from any claims based on (a) Seller's compliance with buyer's designs, specifications, or instructions, (b) Modification of any products by anyone other than Seller, or (c) use in combination with other products not supplied by seller.

Standard Terms and Conditions

Use of Products: Unless otherwise specified. Products sold by Seller are not designed, intended or authorized for use in life support, life sustaining, nuclear, or other applications in which the failure of such Products could reasonably be expected to result in personal injury, loss of life or catastrophic property damage. If buyer uses or sales the Products for use in any such applications: (1) Buyer acknowledges that such use or sale is at Buyer's sole risk; (2) Buyer agrees that Seller and the manufacturer of the Products are not liable, in whole or in part, for any claim or damage arising from such use; and (3) Buyer agrees to indemnify, defend and hold Seller and the manufacturer of the Products harmless from and against any and all claims, damages, losses, costs, expenses and liabilities arising out of or in connection with such use or sale.

Force Majeure: Seller is not liable for failure to fulfill its obligations for any accepted Order or for delays in delivery due to causes beyond Seller's reasonable control including, but not limited to, acts of God, natural or artificial disaster, riot, war, strike, delay by carrier, shortage of Product, acts or omissions of other parties, acts or omissions of civil or military authority, Government priorities, changes in law, material shortages, fire, strikes, floods, epidemics, quarantine restrictions, acts of terrorism, delays in transportation or inability to obtain labor, materials or products through its regular sources, which shall be considered as an event of force majeure excusing Seller from performance and barring remedies for non-performance. In an event of force majeure condition, the Seller's time for performance shall be extended for a period equal to the time lost as a consequence of the force majeure condition without subjecting Seller to any liability or penalty. Seller may, at its option, cancel the remaining performance, without any liability or penalty, by giving notice of such cancellation to the Buyer.

General: (a) Seller will comply with state law for any dispute from buyer. (b) Buyer may not assign this Agreement without the prior written consent of Seller. Seller or its affiliates may perform the obligations under this Agreement. This Agreement is binding on successor and assigns, (c) Products, including software or other intellectual property, are subject to any applicable rights of third parties, such as patents, copyrights and/or user licenses.

Appendix

(If your machine is standard, this page is blank.)

Contact Information

Kaishan Compressor, LLC.,
Add.: 15445 Industrial Park Dr., Loxley, AL, Post code: 36551
Office number: +1 251-202-0577
www.KaishanUSA.com