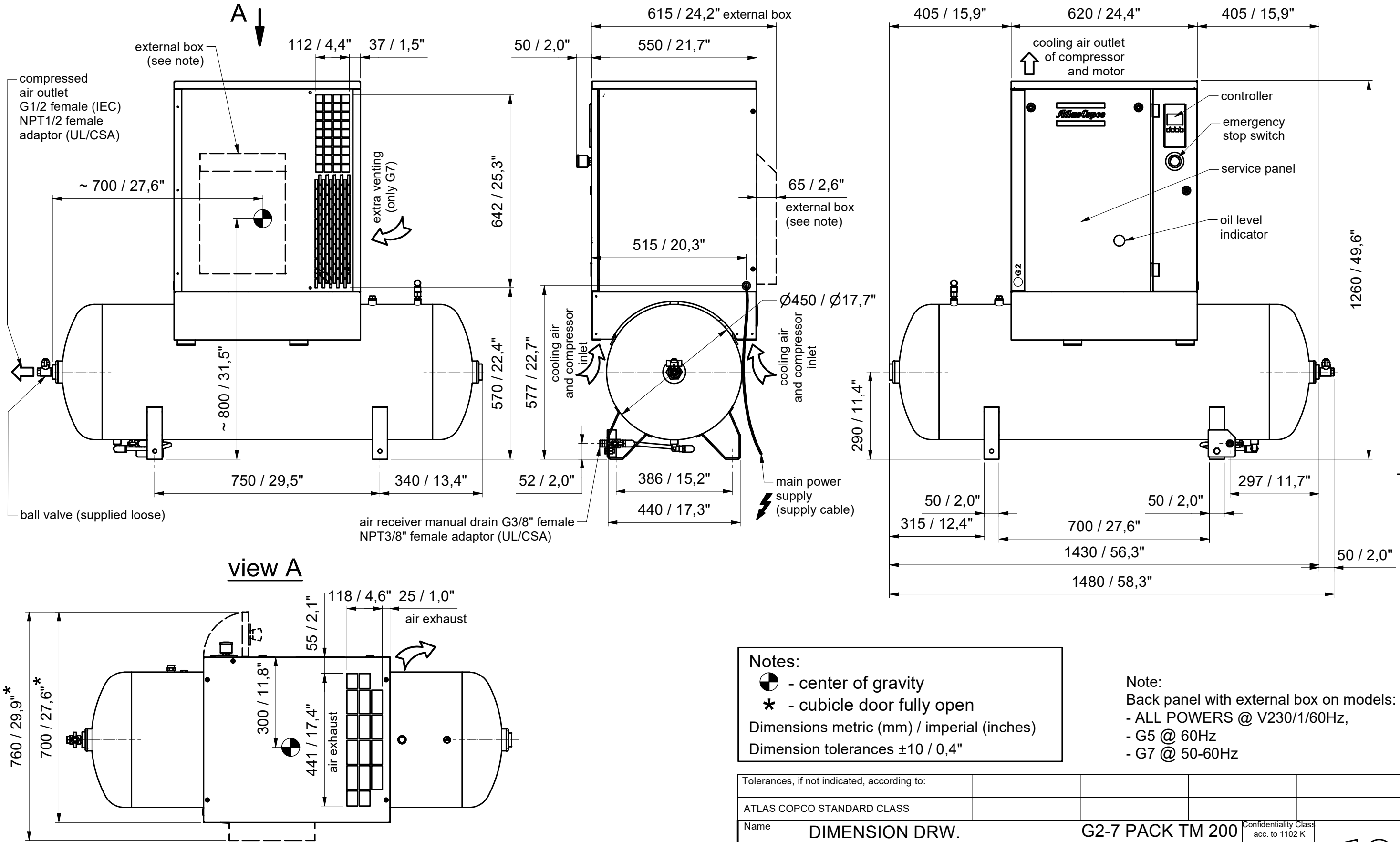


CONFIDENTIAL:

This document is property of Atlas Copco AB and shall not without our permission be altered, copied, used for manufacturing or communicated to any other person or company.

All materials supplied are in compliance with the requirements of the List of Prohibited Substances



Notes:

- ☉ - center of gravity
- * - cubicle door fully open
- Dimensions metric (mm) / imperial (inches)
- Dimension tolerances ±10 / 0,4"

Note: Back panel with external box on models:
 - ALL POWERS @ V230/1/60Hz,
 - G5 @ 60Hz
 - G7 @ 50-60Hz

Tolerances, if not indicated, according to:		ATLAS COPCO STANDARD CLASS	
Name	DIMENSION DRW. G2-7 PACK TM 200		Confidentiality Class acc. to 1102 K
Material	Not applicable		Confidential
Treatment	Not applicable		INV
	Scale	1 : 12	Family C43
	Drawn by	caisgraser	Blank nr.
STATUS	Drawing format	Blank wt	Fini wt.
	Des checked.	Prod checked.	Approved.
Compare		Replaces	
Designation		Sheet 1 / 1	
Approved		9828084235	

00	Document release. CID 27712-12/10/2020. DN20062831	10/09/2020	sgraser	9828084228-M1	
Ed	Position	Date	Intr./Appd.	Parent 3D model	Ed. Version 3D