

---

# **Kaishan Rotary Screw Air Compressor**

---

## **KRSB 40/50HP Parts Manual**

---

---

October 2022

(115PSI/125PSI/230V/460V/60HZ/FS/VSD/BELT)

## TABLE OF CONTENTS

---

<b>Service Parts .....</b>	<b>3</b>
<b>Serial Number .....</b>	<b>3</b>
<b>Fluid Specification .....</b>	<b>4</b>
<b>Spare Parts .....</b>	<b>5</b>
<b>Airend and Inlet valve.....</b>	<b>6</b>
<b>Base Mounting.....</b>	<b>8</b>
<b>Reservoir .....</b>	<b>10</b>
<b>Belt Drive System .....</b>	<b>12</b>
<b>Air Cooler .....</b>	<b>14</b>
<b>Fluid Piping.....</b>	<b>16</b>
<b>Air Piping.....</b>	<b>18</b>
<b>Cabinet.....</b>	<b>20</b>
<b>Electrical Enclosure .....</b>	<b>22</b>
<b>Appendix.....</b>	<b>25</b>
<b>Contact Information .....</b>	<b>26</b>

## Service Parts

---

The following information must be provided for ordering service parts:


1. The serial number of unit must be provided. It will be verified to ensure correct replacement parts are ordered.
2. Service parts must be ordered from closest authorized distributor.
3. Exact part number, quantity and delivery method must be provided.

All service parts must be ordered through nearest authorized distributor. Insist on genuine manufacturer parts only. Failure to do so may void product warranty.

## Serial Number

---

The unit serial number can be found on serial number tag, which is located on the cabinet corner post of the unit.

		SCREW AIR COMPRESSOR	
MODEL	<input type="text"/>		
SERIAL NUMBER	<input type="text"/>		
RATED DISCHARGE PRESSURE	<input type="text"/>	PSI	MOTOR POWER <input type="text"/> HP
RATED SPEED	<input type="text"/>	RPM	NET WEIGHT <input type="text"/> KG
OVERAL DIMENSIONS ( L x W x H )	MM <input type="text"/>		
VOLTAGE	<input type="text"/>	DATE OF MFG	<input type="text"/>
KAISHAN COMPRESSOR,Daphne, AL USA			

## Fluid Specification

---

All KRSB Compressors must use Kaishan recommended fluid for maintenance.

## Spare Parts

---

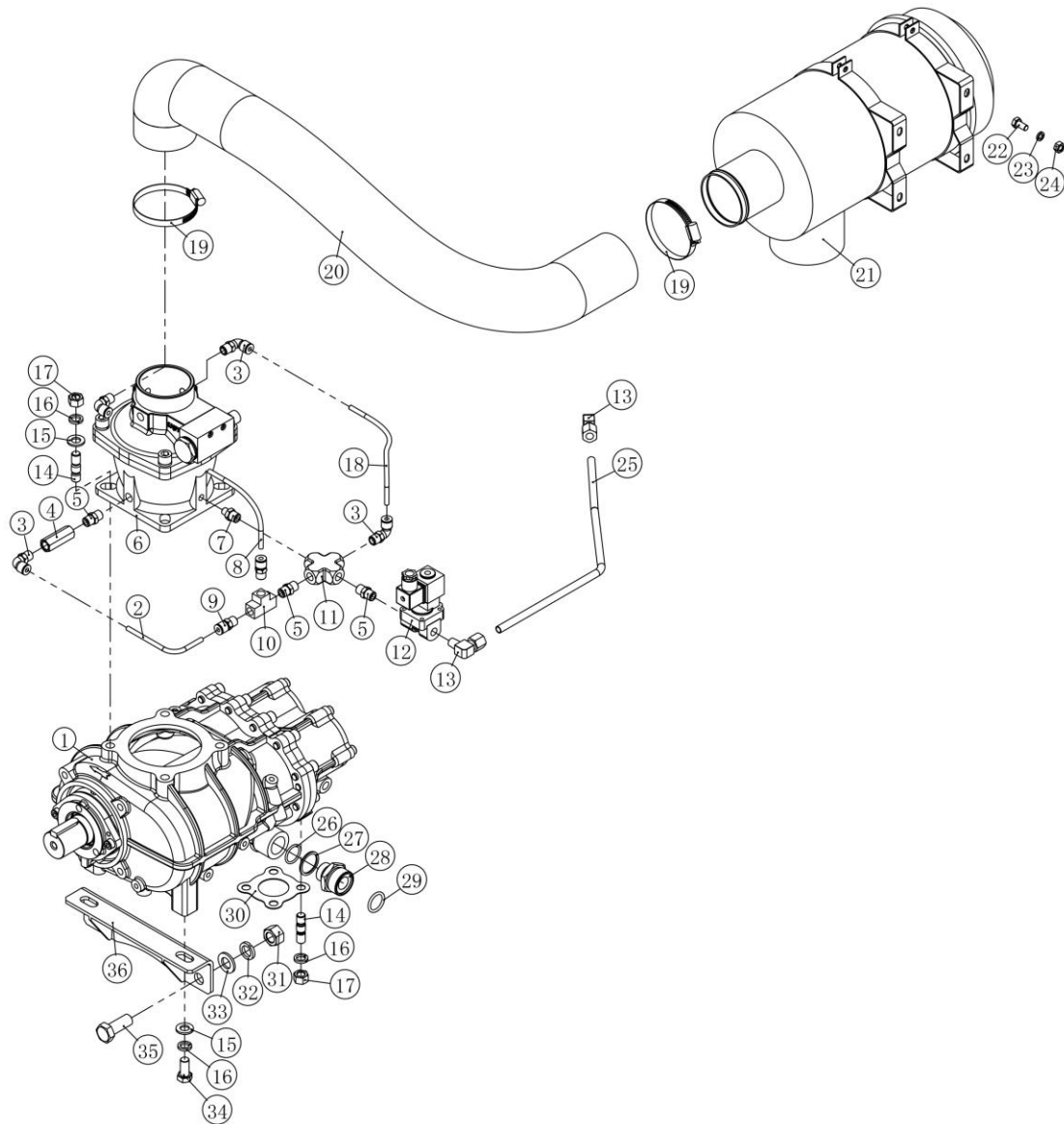
Recommended spare parts are shown as follows:

---

---

ITEM	No.	QTY	PART NUMBER	DESCRIPTION		
1		1	56006 165338	AIR FILTER ELEMENT		
2		1	07709 94212 00	OIL FILTER		
3		1	55170 200230	FLUID/AIR SEPARATOR ELEMENT		

# Airend and Inlet valve



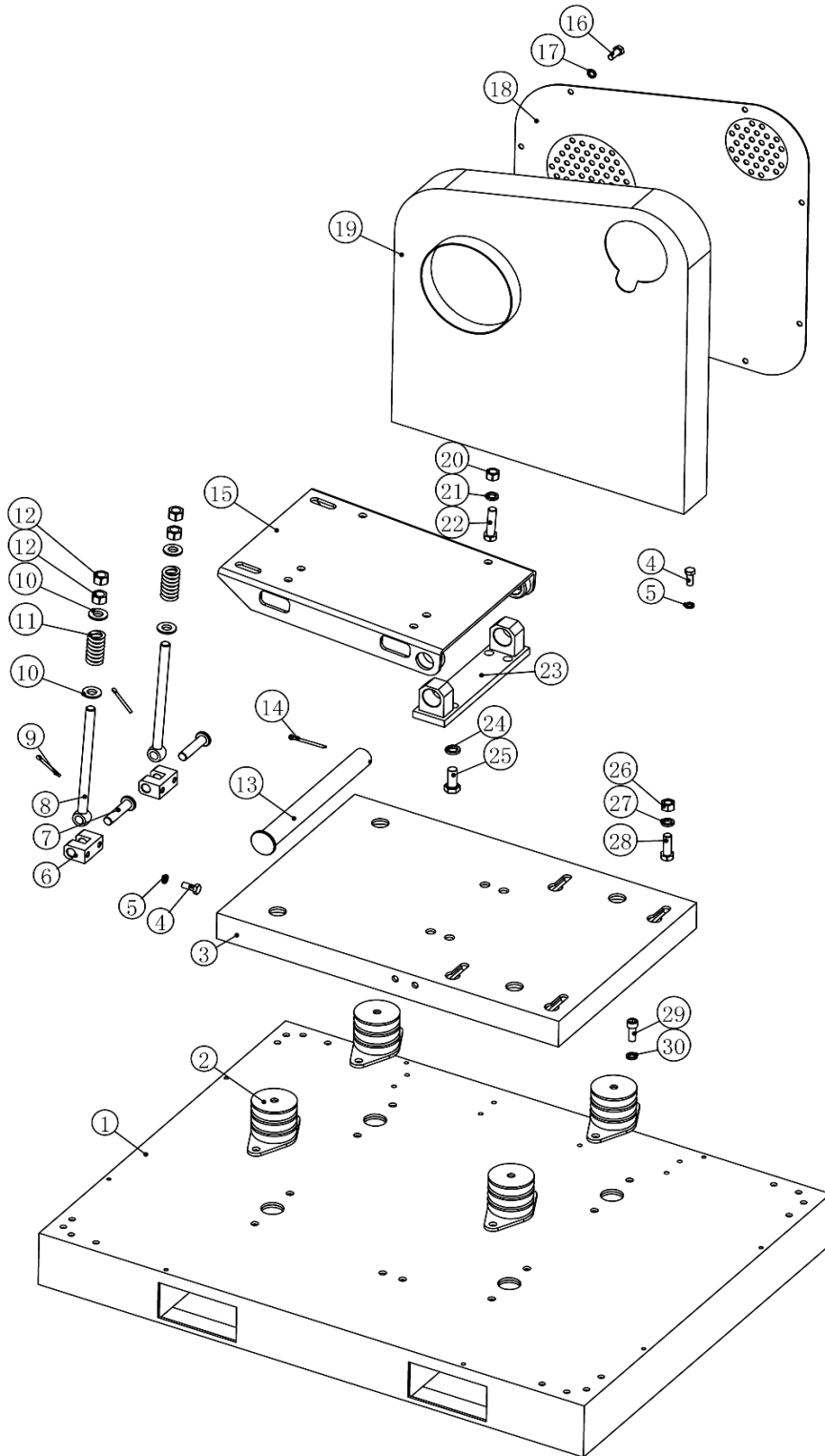
## Airend and Inlet valve

(GROUP PN: )

NO.	PN	DESCRIPTION	QTY	REMARK
1	4010101	Airend	1	
2	16404 07003 00	Control pipe	1	
3	01544 08020 00	Joint	4	FCR-L8
4	01610 02000 03	Check valve	1	2-RP1/4
5	98018 07011 00	Joint	3	
6	01608 07001 03	Inlet valve	1	
7	98018 07011 02	Joint	1	
8	16404 07007 00	Control pipe	1	
9	01511 66677 00	Joint	2	FCR-8
10	11476 07003 00	Tee joint	1	1/4
11	28404 07300 00	Cross joint	1	
12	01603 22010 00	Solenoid valve	1	16bar, 6
13	01513 10130 00	Joint	2	
14	01391 12030 00	Stud	8	M12×30
15	01366 12000 00	Washer	8	12
16	01365 12000 00	Washer	10	12
17	01322 12000 00	Nut	28	M12
18	16404 07002 00	Control pipe	1	
19	04401 08001 00	Hoop	2	
20	02907 08080 78	Flexible pipe	1	
21	07702 61653 38	Air filter	1	
22	01307 08016 00	Bolt	1	M8×16
23	01365 08000 00	Washer	1	8
24	01322 08000 00	Nut	1	M8
25	91433 01002 00	Blowdown pipe	1	
26	02901 02360 20	O-ring	1	23. 6X2. 65
27	02201 00020 00	Screw washer	1	
28	16330 06001 00	Joint	1	
29	02901 02360 30	O-ring	1	23. 6X3. 55
30	02217 07504 16	Gasket	1	
31	01322 16000 00	Nut	2	M16
32	01365 16000 00	Washer	2	16
33	01366 16000 00	Washer	2	16
34	01307 12025 00	Bolt	2	M12×25
35	01307 16040 00	Bolt	2	M16×40
36	91433 01001 00	Airend support	1	
*37	02809 00102 00	DP switch, air filter	1	
*38	01692 03000 01	Check valve, Inlet valve	1	
*39	04002 00070 02	Inlet valve Kit	1	O-ring 118X3. 55, Guidance tape 1, O-ring 58X3. 55, Spring 1, Guidance tape 2, Spring 2, O-ring 140X3. 55

Note: \* Items are not shown on the drawing.

# Base Mounting





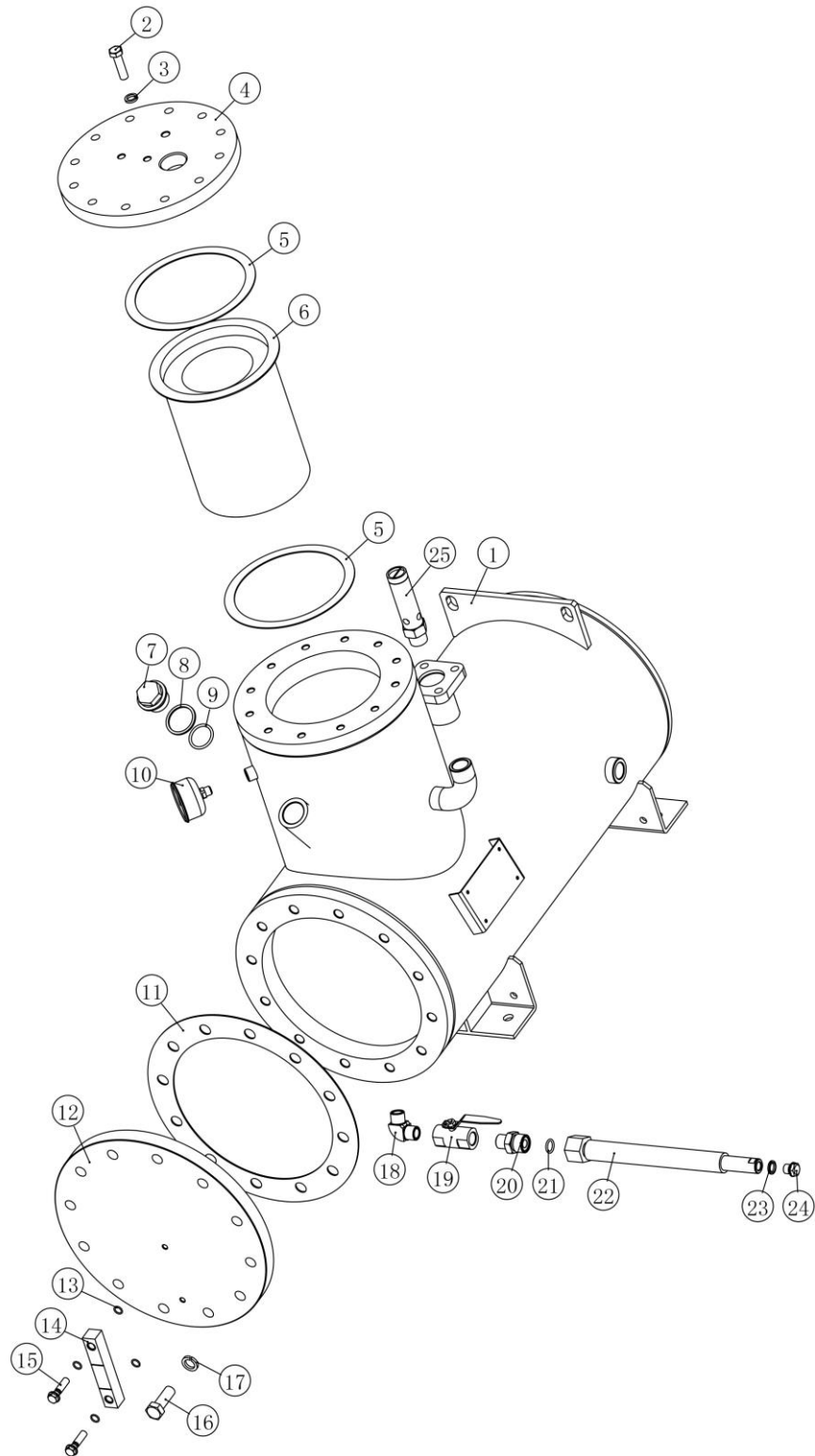
## Base Mounting

(GROUP PN: )

NO.	PN	DESCRIPTION	QTY	REMARK
1	16339 02010 00	Base	1	
2	02905 00001 00	Absorber	4	
3	16315 02030 99	Support	1	
4	01307 10025 00	Bolt	12	M10X20
5	01365 10000 00	Washer	12	10
6	13340 02002 00	Support block	2	
7	13340 02003 00	Pin	2	
8	13323 02001 00	Ball bolt	2	
9	01384 50040 00	Cotter pin	2	5X40
10	13323 02003 00	Washer	4	
11	13323 02002 00	Spring	2	
12	01322 16000 00	Nut	4	M16
13	16323 02001 00	Pin	1	
14	01384 50050 00	Cotter pin	1	5X50
15	91433 02020 60	Motor support	1	
16	01307 08016 00	Bolt	8	M8X15
17	01365 08000 00	Washer	8	8
18	16333 02009 00	Safety net cover	1	
19	16333 02008 00	Safety guard	1	
20	01322 18000 00	Nut	4	M18
21	01365 18000 00	Washer	4	18
22	01307 18060 00	Bolt	4	M18X60
23	16323 02002 00	Support block	1	
24	01365 16000 00	Washer	4	16
25	01307 16025 00	Bolt	4	M16X25
26	01322 14000 00	Nut	4	M14
27	01365 14000 00	Washer	4	14
28	01306 14040 00	Bolt	4	M14X40
29	01344 12025 00	Bolt	12	M12X25
30	01365 12000 00	Washer	12	12

# Reservoir

---



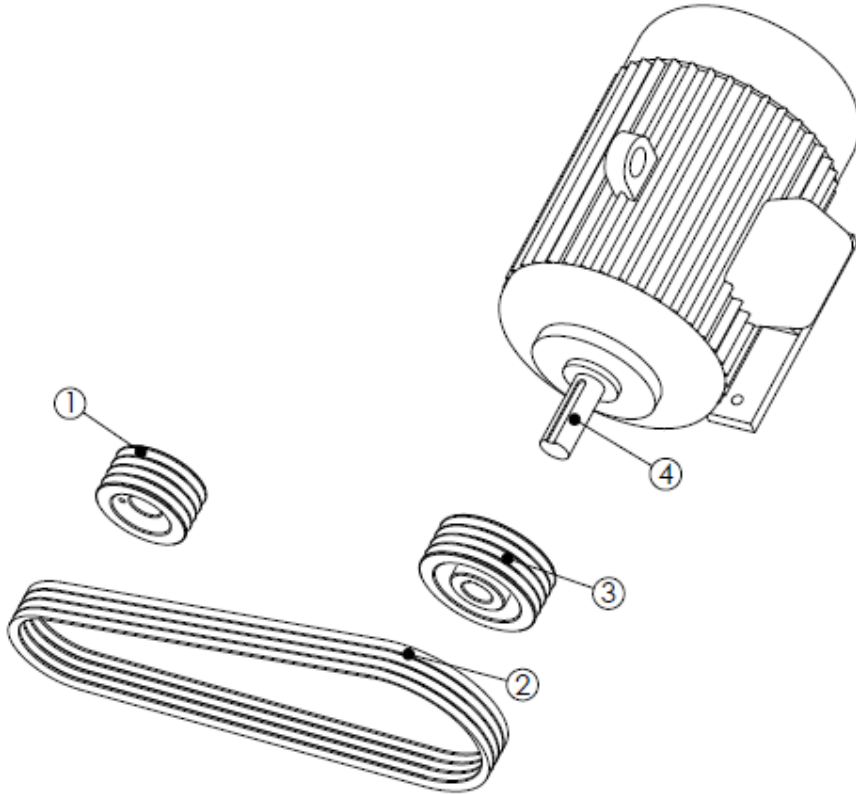
## Reservoir

(GROUP PN: )

NO.	PN	DESCRIPTION	QTY	REMARK
1	91433 03010 00	Fluid/air separator	1	
2	01310 12045 00	Bolt	12	M12×45
3	01365 12000 00	Washer	12	12
4	16330 03010 60	Top cover	1	
5	02216 17203 11	Gasket	2	
6	55170 200230	Fluid/air separator element	1	
7	13340 03003 00	Screw plug	1	
8	02201 03320 00	Screw washer	1	
9	02901 03350 30	O-ring	1	33.5X3.55
10	02801 06308 00	Pressure gauge	1	Axial
11	16315 03011 96	Front cover gasket	1	
12	16315 03012 00	Front cover	1	
13	02901 01060 10	O-ring	4	10.6X1.8
14	13315 03002 00	Oil sight glass	1	
15	13315 03001 00	Hollow bolt	2	M10X40
16	01310 16045 00	Bolt	12	M16×45
17	01365 16000 00	Washer	12	16
18	99121 03002 00	Elbow	1	
19	01613 01500 00	Ball valve	1	DN15
20	13315 03006 00	Joint	1	
21	02901 01600 20	O-ring	1	16X2.65
22	16333 03002 00	Drain pipe	1	
23	01534 14000 00	Bonded washer	1	14
24	13315 03005 00	Screw plug	1	M14X1.5
25		Safety valve	1	

# Belt Drive System

---

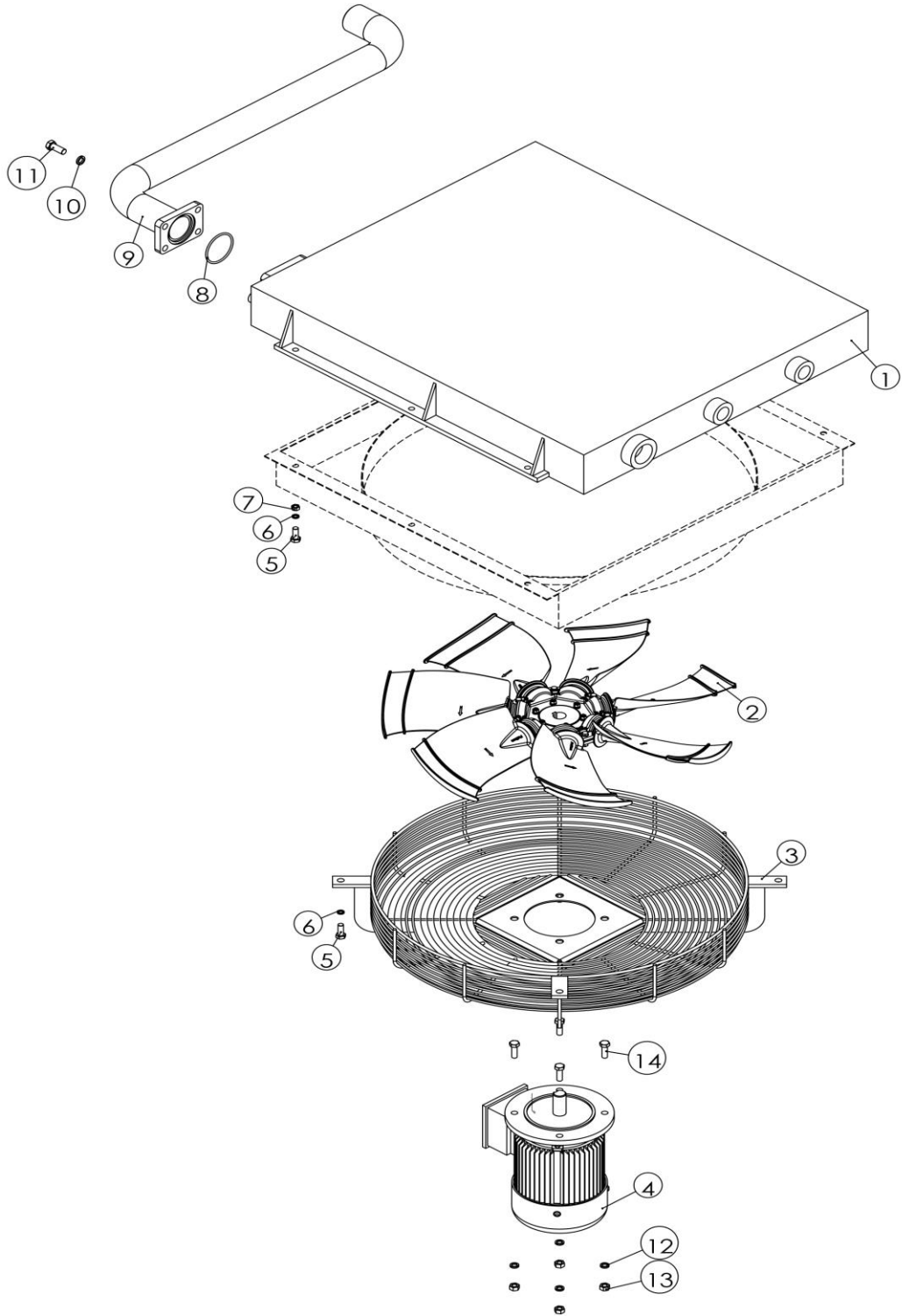


## Belt Drive System

(GROUP PN: )

NO.	PN	DESCRIPTION	QTY	REMARK
1	01810 15050 40	Airend sheave	1	40-115/125 PSI
	01810 16050 45			40- 150 PSI
	01810 17050 40			40-175 PSI
	01810 11850 40			50-115 PSI
	01810 12550 40			50-125 PSI
	01810 12550 45			50-150 PSI
	01810 16050 40			50-175 PSI
2	01806 01582 00	Belt	5	40-115/125/150 PSI
	01806 01557 00			40-175 PSI
	01806 01557 00			50-115/125/150 PSI
	01806 01582 00			50-175 PSI
3	01810 18050 55	Motor sheave	1	40-115/125 PSI
	01810 19050 55			40-150 PSI
	01810 16050 55			40-175 PSI
	01810 18050 55			50-115/125/175 PSI
	01810 17050 55			50-150 PSI
4	62030 37631 20	Motor	1	40HP/208/230V/460V
	62037 37631 25			50HP/208/230V/460V

# Air Cooler



## Air Cooler

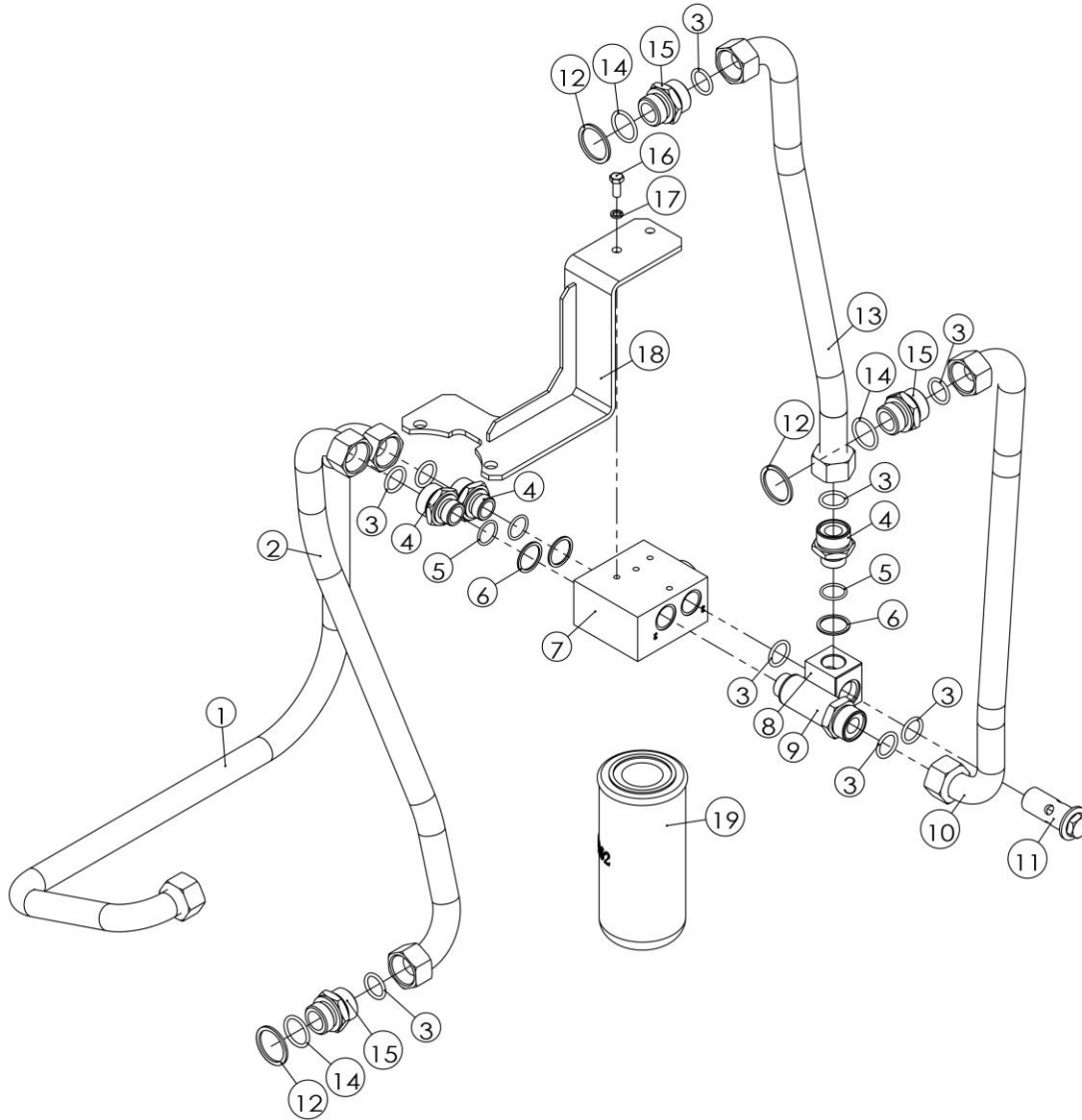
(GROUP PN: )

---

NO.	PN	DESCRIPTION	QTY	REMARK
1	16333 05010 01	Cooler	1	
2	07204 65006 00	Fan blade	1	
3	07205 65004 00	Net guard	1	
4	66175 36651 21	Motor	1	0.75KW/230V/460V
5	01307 10025 00	Bolt	10	M10X25
6	01365 10000 00	Washer	10	10
7	01322 10000 00	Nut	6	M10
8	02901 06300 30	O-ring	1	63X3.55
9	16339 05002 00	Connecting pipe	1	
10	01365 12000 00	Washer	1	12
11	01307 12030 00	Bolt	1	M12X30
12	01365 10000 00	Washer	4	10
13	01322 10000 00	Nut	4	M10
14	01307 10030 00	Bolt	4	M10X30

# Fluid Piping

---





## Fluid Piping

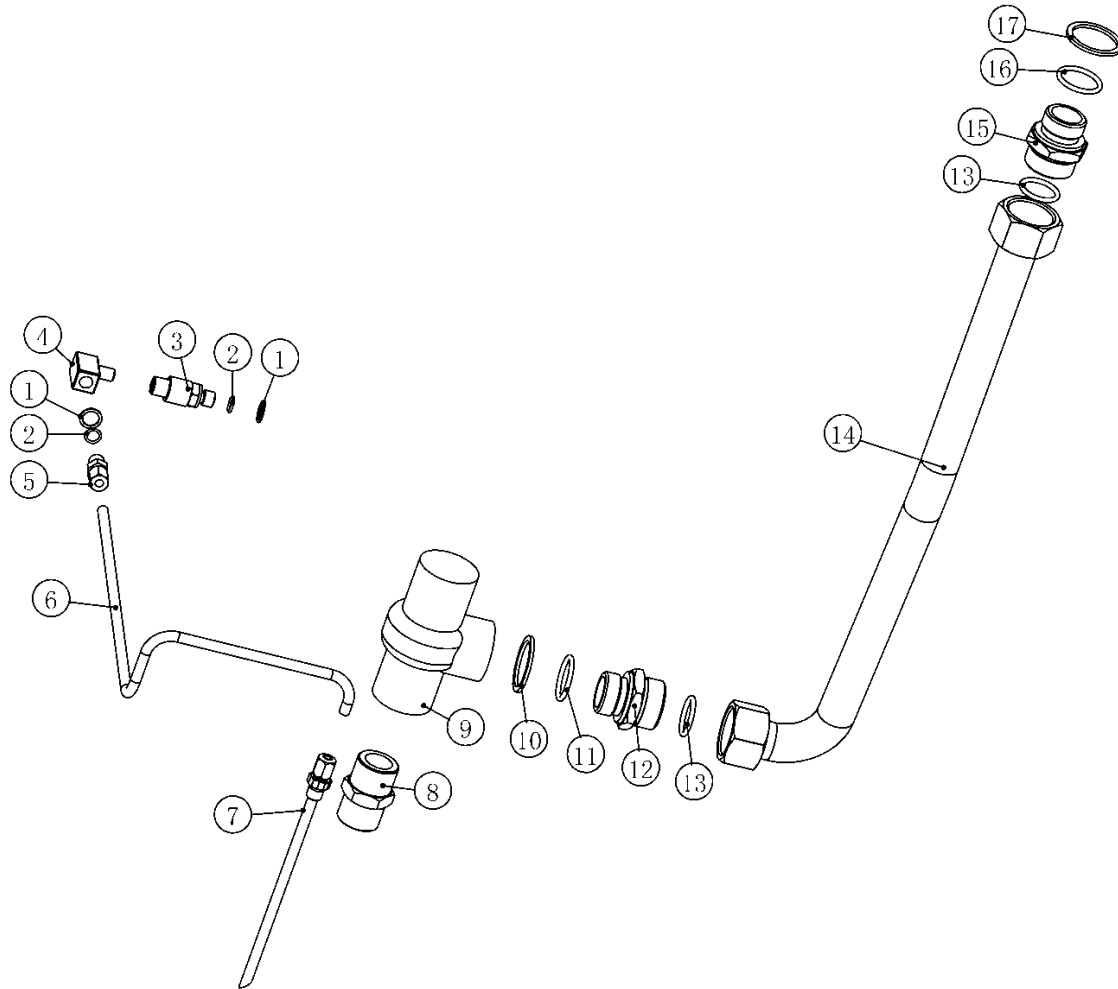
(GROUP PN: )

NO.	PN	DESCRIPTION	QTY	REMARK
1	91433 06001 00	Oil pipe	1	Inlet airend
2	16333 06002 00	Oil pipe	1	Inlet thermal valve
3	02901 02360 30	O-ring	9	23.6X3.55
4	16330 06001 00	Joint	3	
5	02901 02360 20	O-ring	4	23.6X2.65
6	02201 00020 00	Screw washer	4	
7	01611 02083 01	Thermal valve	1	
8	16315 06004 00	Support	1	
9	16330 06002 00	Connecting pipe	1	
10	16333 06003 00	Oil pipe	1	Inlet cooler
11	16315 06003 00	Hollow bolt	1	
12	02201 00025 00	Screw washer	3	
13	16333 06004 00	Oil pipe	1	Outlet cooler
14	02901 03000 30	O-ring	3	30X3.55
15	16315 06009 09	Joint	3	
16	01307 08020 00	Bolt	1	M8×20
17	01365 08000 00	Washer	1	8
18	91433 06006 00	Oil filter support	1	
19	07709 94212 00	Oil filter	1	
*20	04004 20083 02	Thermal valve Kit	1	1 O-ring 38X3, 1 Valve element, 1 Sleeve, 1 Spring

Note: \* Items are not shown on the drawing.

# Air Piping

---



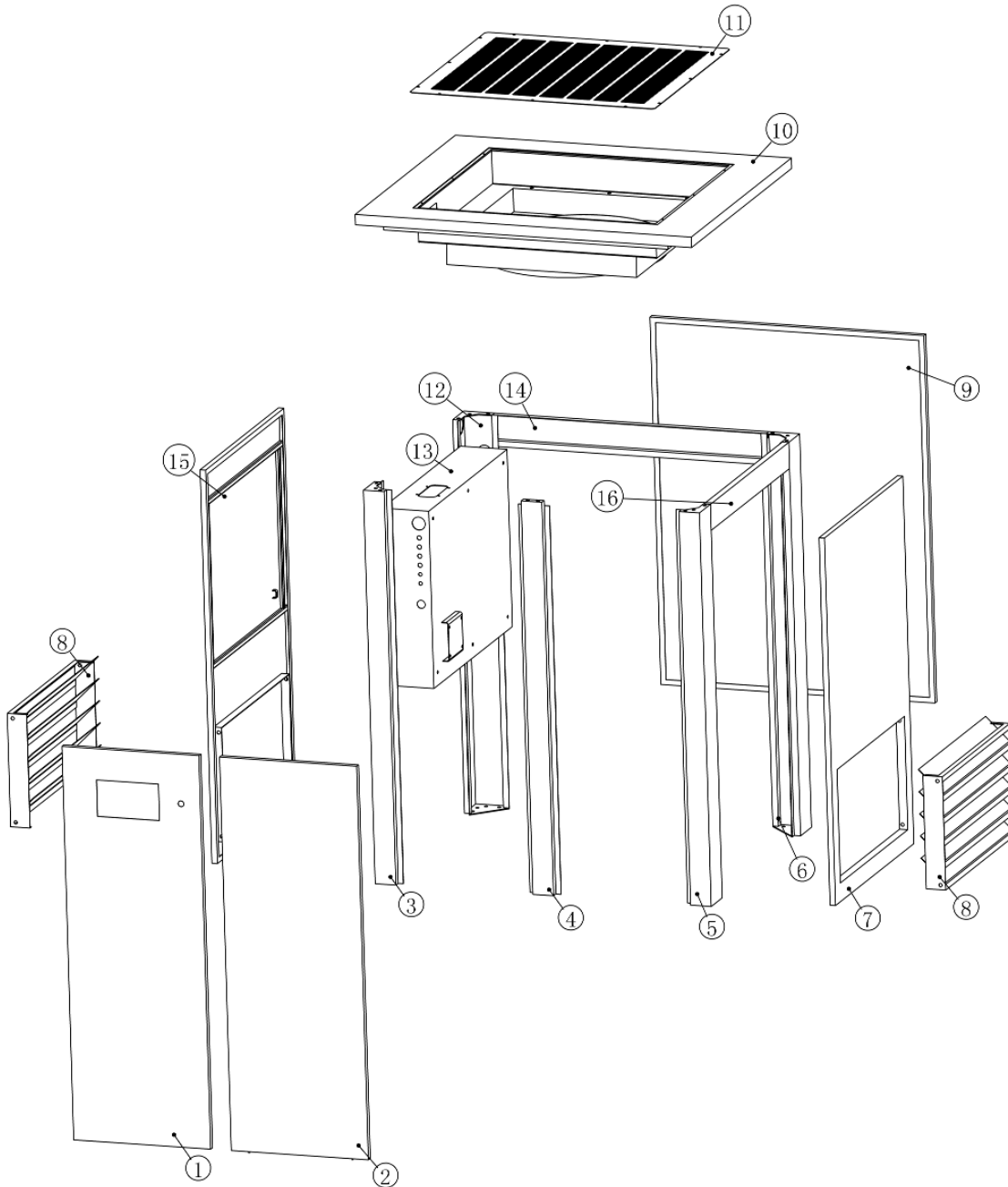
## Air Piping

(GROUP PN: )

NO.	PN	DESCRIPTION	QTY	REMARK
1	02201 01215 00	Screw washer	2	
2	02901 00950 10	O-ring	2	9.5X1.8
3	01610 01010 01	Check valve	1	
4	99131 07007 00	Elbow	1	
5	01523 08670 00	Joint	1	
6	16333 07100 00	Oil return pipe	1	
7	16333 07009 00	Oil return pipe	1	
8	16315 07011 00	Joint	1	
9	01612 03203 00	MPV	1	MPV32C
10	02201 00015 00	Screw washer	1	
11	02901 03870 30	O-ring	1	38.7X3.55
12	16315 07012 09	Joint	1	
13	02901 03250 30	O-ring	2	32.5X3.55
14	16333 07001 00	Discharge pipe	1	
15	16315 07140 09	Joint	1	
16	02901 04500 30	O-ring	1	45X3.55
17	02201 00040 00	Screw washer	1	
*18	04006 03203 00	MPV kit	1	1 Check valve element, 1 Spring 1, 1 Valve element, 1 O-ring 34.42X2.95, 1 O-ring 47X3, 1 Spring 2

Note: \* Items are not shown on the drawing.

# Cabinet



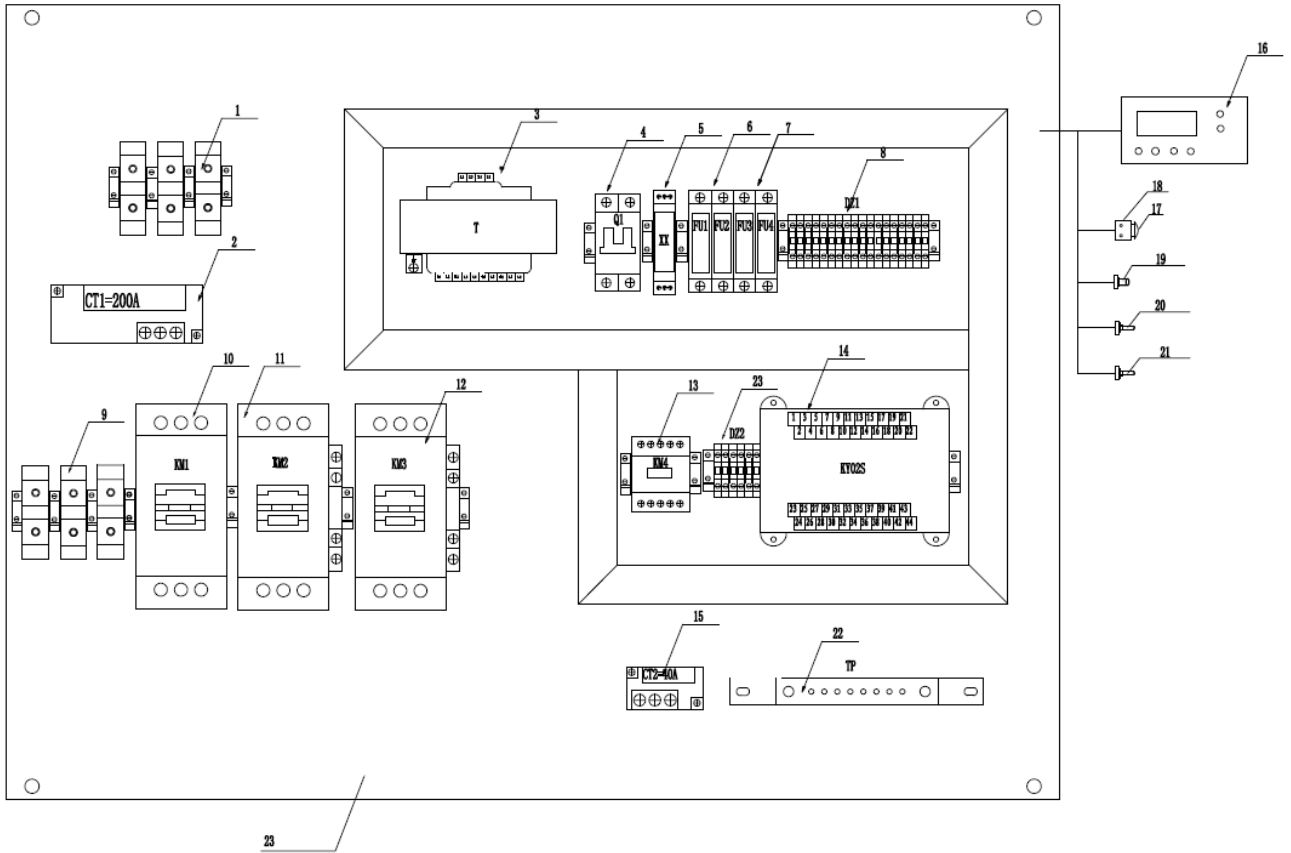
# Cabinet

(GROUP PN: )

---

NO.	PN	DESCRIPTION	QTY	REMARK
1	16339 08002 00	Door	1	
2	16333 08004 00	Door	1	
3	16333 08001 01	Support	1	
4	16333 08003 00	Support	1	
5	16333 08005 00	Support	1	
6	16333 08110 01	Support	1	
7	16333 08006 00	Door	1	
8	16315 08240 00	Air deflector	2	
9	16333 08120 00	Door	1	
10	16339 08007 00	Top cover	1	
11	16333 08140 00	Top net cover	1	
12	16333 08130 00	Support	1	
13	16333 08009 01	Electric cabinet	1	
14	16333 08016 00	Beam	1	
15	16333 08100 01	Door	1	
16	16333 08015 00	Beam	1	

# Electrical Enclosure



## Electrical Enclosure (40HP)

(GROUP PN: )

NO.	PN	DESCRIPTION	QTY	REMARK
1	08703 00050 00	Terminal block	3	TC1
2	02824 00200 00	Motor current transformer	1	CT1
3	02818 03150 10	Transformer	1	T
4	02819 06526 00	Breaker	1	Q1
5	02814 00080 00	Phase monitor	1	XX
6	02820 00001 00	Fuse block	2	FU1-FU2
7	02820 00001 00	Fuse block	2	FU3-FU4
8	08703 00004 00	Terminal block	18	DZ
9	08703 00050 00	Terminal block	3	TC2
10	02825 60080 01	Contactactor	1	KM1
11	02825 60080 01	Contactactor	1	KM2
12	02825 60065 01	Contactactor	1	KM3
13	02825 60038 00	Contactactor	1	KM4
14	02811 00220 55	Contactactor	1	PLC
15	02824 20040 00	Fan motor current transformer	1	CT2
16	02815 00202 02	Control panel	1	XSQ
17	02827 04844 00	Emergency button	1	JT
18	02827 04104 00	Emergency button base	1	JT
19	02810 00016 00	Pressure sensor	1	DP
20	02810 10004 00	Temp. sensor, air outlet	1	DT
21	02810 10004 00	Temp. sensor	1	ST
22	02829 32020 60	Grounding copper bar	1	JDTP
23	16415 09008 02	Electric plate	1	DKB
*25	02821 10004 00	Fuse	2	FU1-FU2
*26	02821 10002 00	Fuse	2	FU3-FU4

Note: \* Items are not shown on the drawing.

## Electrical Enclosure (50HP)

(GROUP PN: )

NO.	PN	DESCRIPTION	QTY	REMARK
1	08703 00050 00	Terminal block	3	TC1
2	02824 00200 00	Motor current transformer	1	CT1
3	02818 03150 10	Transformer	1	T
4	02819 06526 00	Breaker	1	Q1
5	02814 00080 00	Phase monitor	1	XX
6	02820 00001 00	Fuse block	2	FU1-FU2
7	02820 00001 00	Fuse block	2	FU3-FU4
8	08703 00004 00	Terminal block	18	DZ
9	08703 00050 00	Terminal block	3	TC2
10	02825 60095 01	Contactator	1	KM1
11	02825 60095 01	△ contactor	1	KM2
12	02825 60065 01	Y Contactor	1	KM3
13	02825 60038 00	Fan contactor	1	KM4
14	02811 00220 55	Controller	1	PLC
15	02824 20040 00	Fan motor current transformer	1	CT2
16	02815 00202 01	Control panel	1	XSQ
17	02827 04844 00	Emergency button	1	JT
18	02827 04104 00	Emergency button base	1	JT
19	02810 00016 00	Pressure sensor	1	DP
20	02810 10004 00	Temp. sensor, air outlet	1	DT
21	02810 10004 00	Temp. sensor	1	ST
22	02829 32020 60	Grounding copper bar	1	JDTP
23	16415 09008 02	Electric plate	1	DKB
*25	02821 10004 00	Fuse	2	FU1-FU2
*26	02821 10002 00	Fuse	2	FU3-FU4

Note: \* Items are not shown on the drawing.



## **Appendix**

*(If your machine is standard, this page is blank.)*

## Contact Information

---

Kaishan Compressor, LLC.,  
Add.: 7650-A Stanton St., Daphne, AL, Post code: 36526  
Office number: +1 251-202-0577  
[www.KaishanUSA.com](http://www.KaishanUSA.com)