

NOTE: DIMENSIONS IN [ ] ARE ENGLISH EQUIVALENTS.

REV	DATE	ON COMPOSITE DWGS. SEE PART NO. FOR REVISION LEVEL	BY	UNLESS OTHERWISE SPECIFIED - 1) DIMENSIONS ARE IN MILLIMETERS 2) TOLERANCES ARE:
-	4-16-13	NEW DRAWING [CT73590]	GFR	X.XX
A	6-6-14	(B-5) 824 ADDED, 810 REMOVED (B-4) 345 ADDED [CT82275]	KRM	X.XX
B	7-25-14	SEE SHEET 3 OF 3. [CT88146]	GFR	X
				ANGLES
				SURFACE FINISH
				MAX.
				THIRD ANGLE PROJECTION
				APPROVALS
				DATE
				DRAWN GFR 4-16-13
				CHECKED GFR 4-16-13
				APPROVED KEM 4-16-13

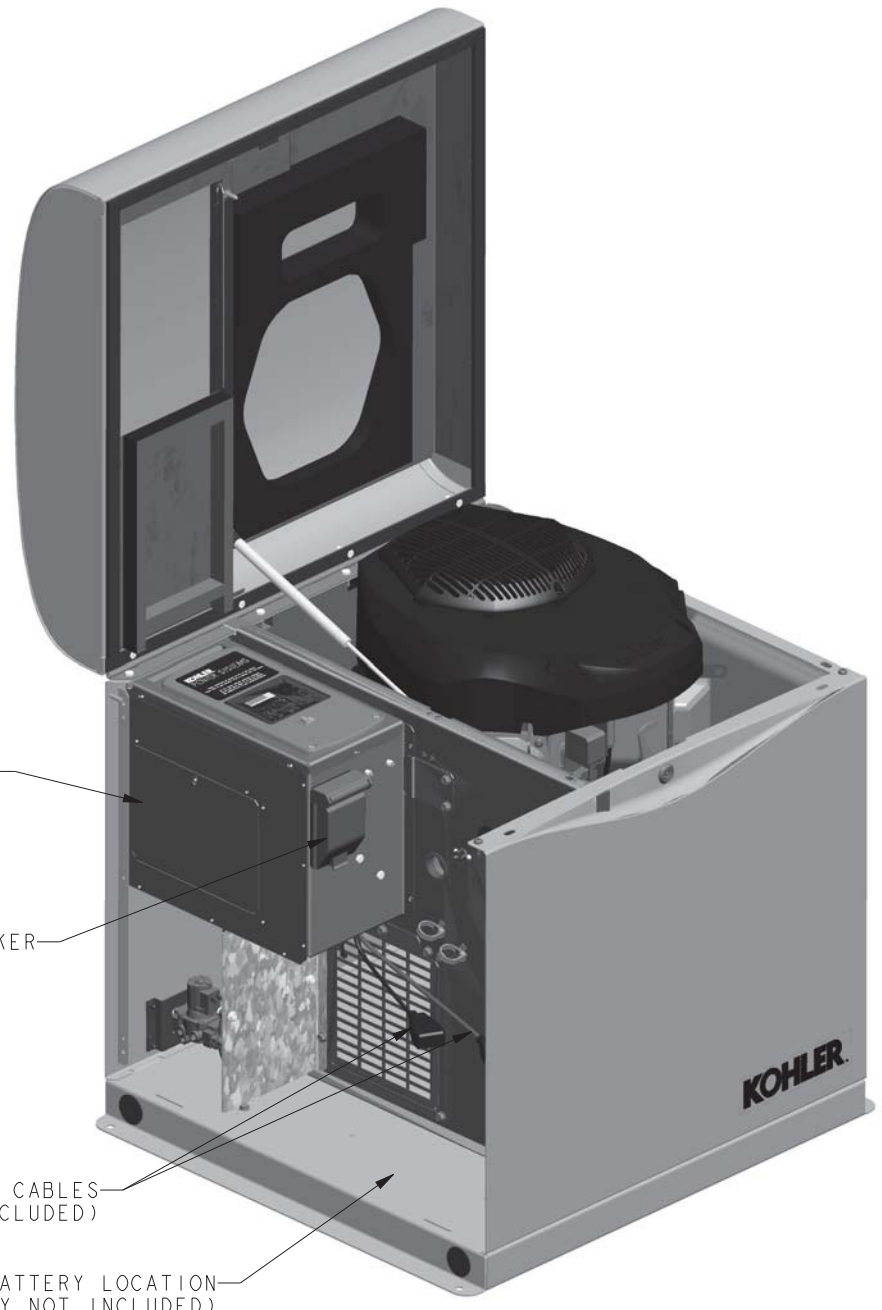
**KOHLER CO. METRIC PRO-E**  
 POWER SYSTEMS, KOHLER, WI 53044 U.S.A.  
 THIS DRAWING IN DESIGN AND DETAIL IS KOHLER CO. PROPERTY AND MUST NOT BE USED EXCEPT IN CONNECTION WITH KOHLER CO. WORK. ALL RIGHTS OF DESIGN OR INVENTION ARE RESERVED.

TITLE: **DIMENSION PRINT**

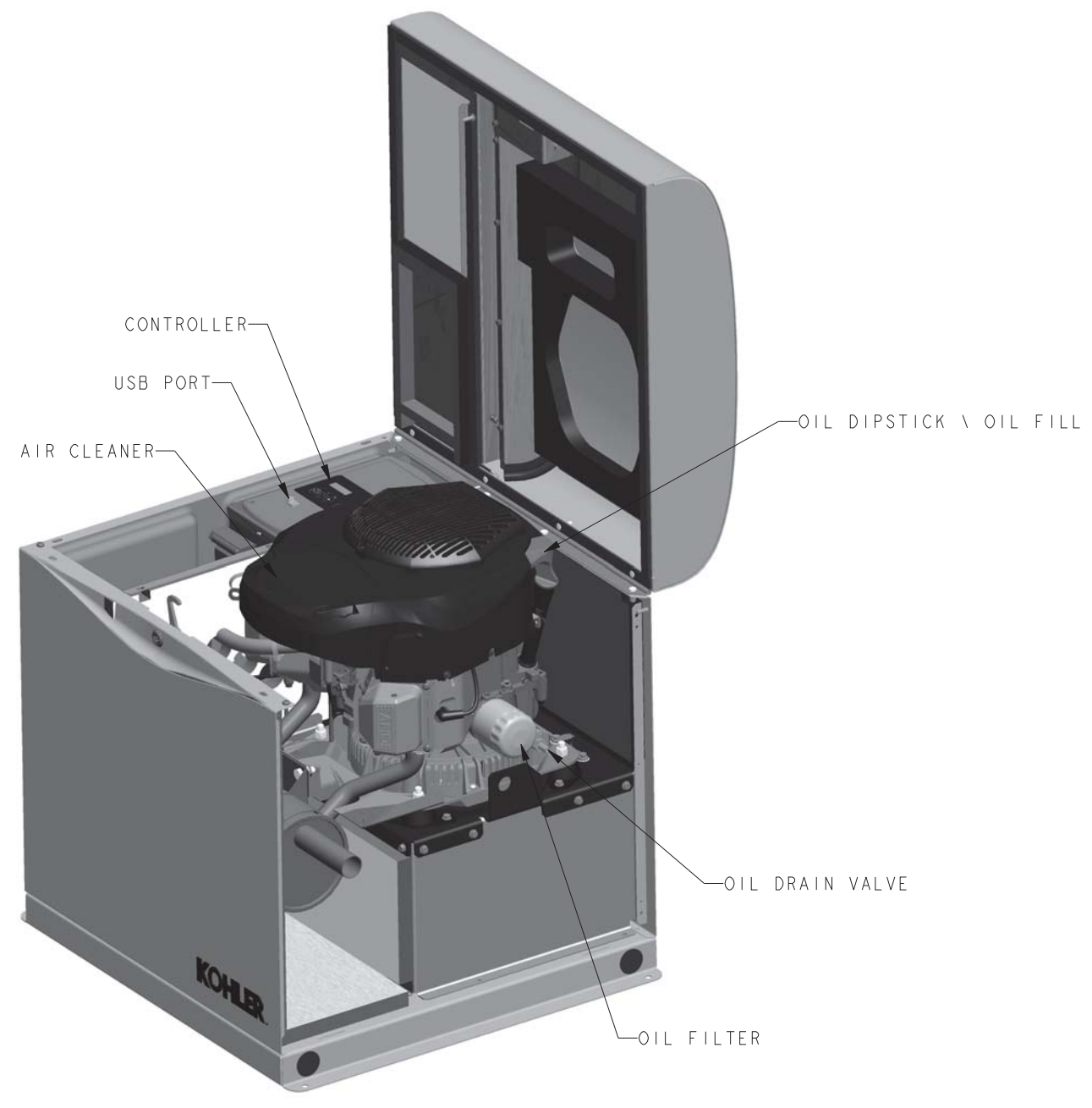
SCALE: 0.15 CAD NO. SHEET 1 of 3

DWG NO. **ADV-8539**

RESV



VIEW FROM EXHAUST AIR OUTLET



VIEW FROM EXHAUST AIR OUTLET

REV	DATE	ON COMPOSITE DWGS. SEE PART NO. FOR REVISION LEVEL	BY
-	4-16-13	NEW DRAWING [CT73590]	GFR
A	6-6-14	SEE SHEET 1 OF 1 [CT82275]	KRM
B	7-25-14	SEE SHEET 3 OF 3. [CT88146]	GFR

UNLESS OTHERWISE SPECIFIED -	
1) DIMENSIONS ARE IN MILLIMETERS	
2) TOLERANCES ARE:	
X.XX	
X.X	
X	
ANGLES	SURFACE FINISH
	MAX.
THIRD ANGLE PROJECTION	
APPROVALS	DATE
DRAWN GFR	4-16-13
CHECKED GFR	4-16-13
APPROVED KEM	4-16-13

**KOHLER CO.** METRIC PRO-E  
 POWER SYSTEMS, KOHLER, WI 53044 U.S.A.  
 THIS DRAWING IN DESIGN AND DETAIL IS KOHLER CO. PROPERTY AND MUST NOT BE USED EXCEPT IN CONNECTION WITH KOHLER CO. WORK. ALL RIGHTS OF DESIGN OR INVENTION ARE RESERVED.

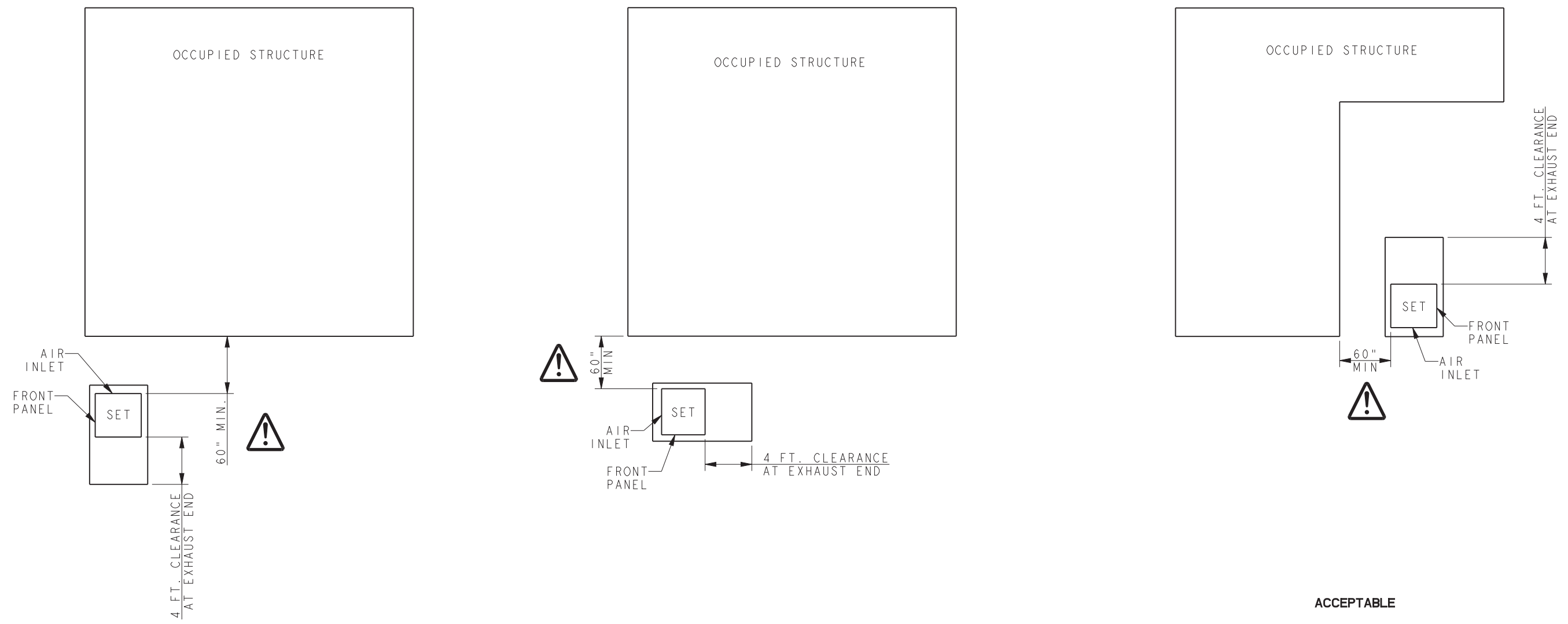
TITLE: **DIMENSION PRINT**


SCALE: 0.20 CAD NO. SHEET 2 of 3  
 DWG NO. **ADV-8539** D

RESV

8 7 6 5 4 3 2 1

D  
C  
B  
A



NOTE:  
 THE REQUIRED DISTANCE FROM A STRUCTURE IS DEPENDENT ON STATE AND LOCAL CODES. NFPA 37, STANDARDS FOR THE INSTALLATION AND USE OF STATIONARY COMBUSTION ENGINES AND GAS TURBINES.

**ACCEPTABLE**

- 1) EXHAUST IS AIMED AWAY OR PARALLEL TO STRUCTURE.
- 2) EXHAUST IS NOT DIRECTED AT PLAY AREAS, PATIOS OR OTHER AREAS WHERE PEOPLE CONGREGATE.
- 3) THE NEAREST WINDOW, VENT, DOOR OR SIMILAR STRUCTURE OPENING IS AT LEAST 5 FEET FROM THE EXHAUST END OF THE SET.
- 4) SET HAS PROPER OFFSET FROM STRUCTURE.
- 5) WINDOWS & DOORS ON ADJACENT WALLS ARE CLOSED.
- 6) FURNACE AND OTHER SIMILAR INTAKES ARE AT LEAST 10 FEET FROM EXHAUST END OF SET.
- 7) WEED BARRIER AND 3 INCH THICK GRAVEL BASE LOCATED TO PREVENT GRASS & WEEDS FROM GROWING TOO CLOSE TO THE SET.
- 8) NO PLANTS, SHRUBS OR OTHER COMBUSTIBLES ALLOWED IN GRAVEL AREA. (MINIMUM 4 FT. FROM EXHAUST END).
- 9) REFER TO OWNERS MANUAL FOR OTHER INSTALLATION CONSTRAINTS.
- 10) NO PLANTS, SHRUBS, OR OTHER COMBUSTIBLES ALLOWED WITHIN 18" OF AIR INTAKE.

RESV

REV	DATE	ON COMPOSITE DWGS. SEE PART NO. FOR REVISION LEVEL	BY	UNLESS OTHERWISE SPECIFIED - 1) DIMENSIONS ARE IN MILLIMETERS 2) TOLERANCES ARE:	<b>KOHLER CO. METRIC PRO-E</b> POWER SYSTEMS, KOHLER, WI 53044 U.S.A. THIS DRAWING IN DESIGN AND DETAIL IS KOHLER CO. PROPERTY AND MUST NOT BE USED EXCEPT IN CONNECTION WITH KOHLER CO. WORK. ALL RIGHTS OF DESIGN OR INVENTION ARE RESERVED.
-	4-16-13	NEW DRAWING [CT73590]	GFR	X.XX	
A	6-6-14	SEE SHEET 1 OF 1 [CT82275]	KRM	X.X	SURFACE FINISH MAX.
B	7-25-14	(C-7), (C-4) AND (C-2) 60" MIN WAS 18" MIN. [CT88146]	GFR	ANGLES	
				THIRD ANGLE PROJECTION	TITLE <b>DIMENSION PRINT</b> SCALE 0.15 CAD NO. SHEET 3 of 3 DWG NO. <b>ADV-8539</b>
APPROVALS		DATE			
DRAWN		4-16-13			
CHECKED		4-16-13			
APPROVED		4-16-13		<b>D</b>	

8 7 6 5 4 3 2 1