

**Revision B:**

- MUZ-HM09/12NA-U1 and  
MUZ-HM09/12NA2-U1 have been added.

OBB747 REVISED EDITION-A is void.

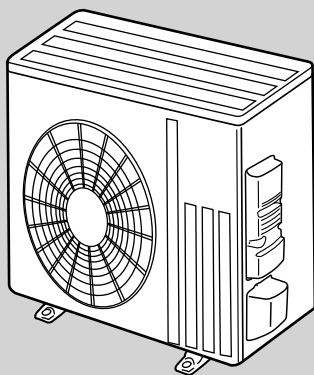
# OUTDOOR UNIT

**No. OBB747  
REVISED EDITION-B**

# PARTS CATALOG

## Models

- |  |   |
|--|---|
| <b>MUZ-HM09NA</b> - <span style="border: 1px solid black; padding: 0 2px;">U1</span> , <span style="border: 1px solid black; padding: 0 2px;">U8</span>  | <b>MUZ-HM15NA</b> - <span style="border: 1px solid black; padding: 0 2px;">U1</span>  |
| <b>MUZ-HM09NA2</b> - <span style="border: 1px solid black; padding: 0 2px;">U1</span> , <span style="border: 1px solid black; padding: 0 2px;">U8</span> | <b>MUZ-HM15NA2</b> - <span style="border: 1px solid black; padding: 0 2px;">U1</span> |
| <b>MUZ-HM12NA</b> - <span style="border: 1px solid black; padding: 0 2px;">U1</span> , <span style="border: 1px solid black; padding: 0 2px;">U8</span>  | <b>MUZ-HM18NA</b> - <span style="border: 1px solid black; padding: 0 2px;">U1</span>  |
| <b>MUZ-HM12NA2</b> - <span style="border: 1px solid black; padding: 0 2px;">U1</span> , <span style="border: 1px solid black; padding: 0 2px;">U8</span> | <b>MUZ-HM18NA2</b> - <span style="border: 1px solid black; padding: 0 2px;">U1</span> |
|  | <b>MUZ-HM24NA</b> - <span style="border: 1px solid black; padding: 0 2px;">U1</span>  |
|  | <b>MUZ-HM24NA2</b> - <span style="border: 1px solid black; padding: 0 2px;">U1</span> |



**MUZ-HM24NA**

## CONTENTS

- |                         |    |
|-------------------------|----|
| 1. RoHS PARTS LIST..... | 2  |
| 2. OPTIONAL PARTS.....  | 14 |

**SERVICE MANUAL (OBH747)**

**NOTE:**

RoHS compliant products have <G> mark on the spec name plate.

**Revision A:**

• MUZ-HM09/12NA-U8, MUZ-HM09/12NA2-U8, MUZ-HM15/18NA-U1, MUZ-HM15/18NA2-U1 and MUZ-HM24NA2-U1 have been added.

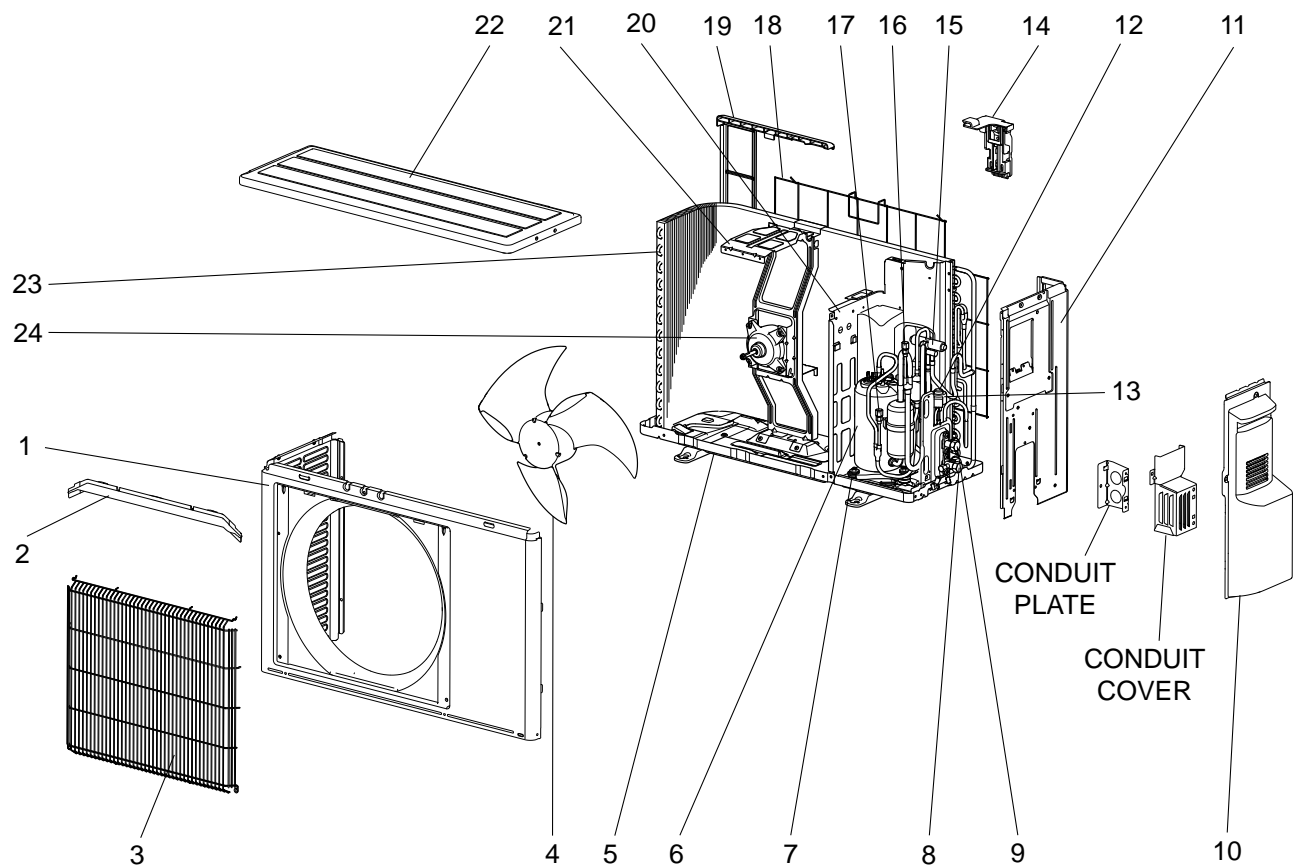
**Revision B:**

• MUZ-HM09/12NA-U1 and MUZ-HM09/12NA2-U1 have been added.

**1 RoHS PARTS LIST**

**MUZ-HM09NA - U1 MUZ-HM09NA2 - U1 MUZ-HM12NA - U1 MUZ-HM12NA2 - U1**

**1-1. OUTDOOR UNIT STRUCTURAL PARTS AND FUNCTIONAL PARTS**



# RoHS PARTS LIST

## 1-1. OUTDOOR UNIT STRUCTURAL PARTS AND FUNCTIONAL PARTS

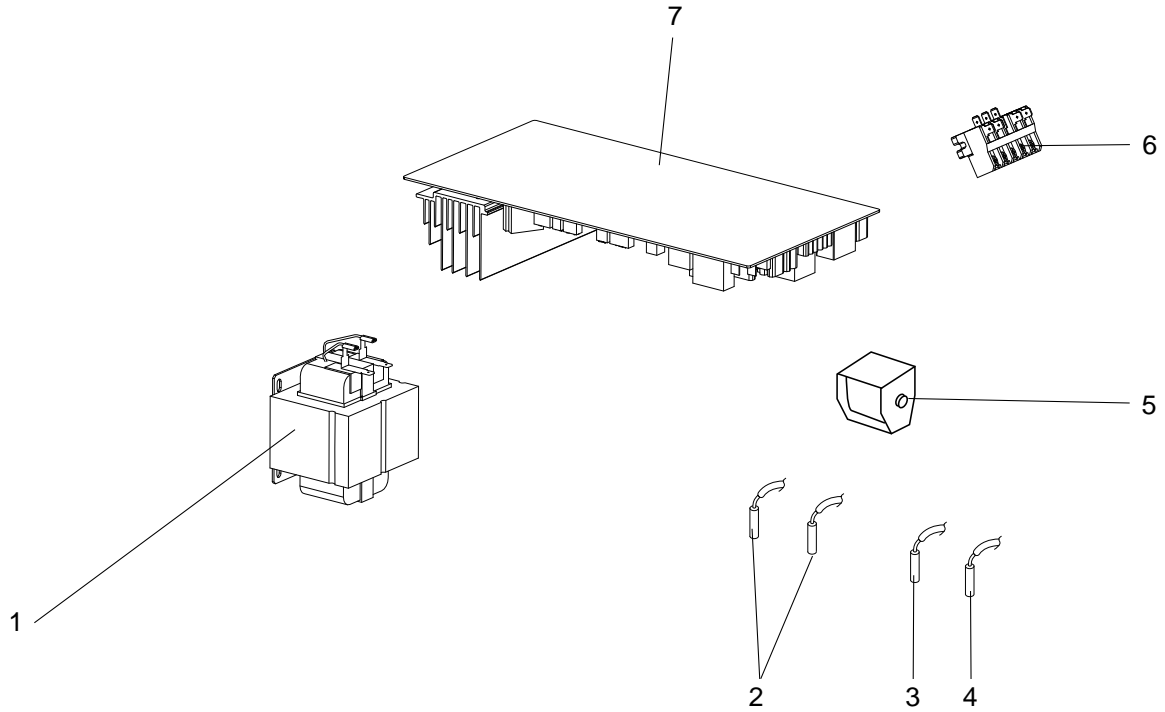
Part number that is circled is not shown in the illustration.

No.	RoHS	Part No.	Part name	Symbol in Wiring Diagram	Q'ty/unit				Remarks
					MUZ-HM				
					09NA - [U1]	09NA2 - [U1]	12NA - [U1]	12NA2 - [U1]	
1	G	U01 A01 232	CABINET		1	1	1	1	
2	G	U01 A01 531	ICE GUARD		1	1	1	1	
3	G	U01 A01 521	GRILLE (OUT)		1	1	1	1	
4	G	U01 A01 501	PROPELLER FAN		1	1	1	1	
5	G	U01 A02 290	BASE		1	1	1	1	
6	G	U01 A03 900	COMPRESSOR (KNB073FRVMC)	MC	1	1	1	1	KNB073FRVMC
7	G	U01 A01 506	COMP. RUBBER SET		3	3	3	3	3RUBBERS/SET
8	G	U01 A01 661	STOP VALVE (GAS)		1	1	1	1	ø3/8 (ø9.52)
9	G	U01 A01 662	STOP VALVE (LIQUID)		1	1	1	1	ø1/4 (ø6.35)
10	G	U01 A01 245	SERVICE PANEL		1	1	1	1	
11	G	U01 A01 233	BACK PANEL (OUT)		1	1	1	1	
12	G	U01 A01 640	EXPANSION VALVE		1	1	1	1	
13	G	U01 A01 493	EXPANSION VALVE COIL	LEV	1	1	1	1	
14	G	U01 A03 079	THERMO HOLDER		1	1	1	1	
15	G	U01 A03 961	4-WAY VALVE		1	1	1	1	
16	G	U01 A01 641	SERVICE PORT (L)		1	1	1	1	1PC/SET
17	G	U01 A02 641	SERVICE PORT (H)		1	1	1	1	
18	G	U01 A02 525	CONDENSER WIRE NET		1	1	1	1	
19	G	U01 A03 525	CONDENSER NET		1	1	1	1	
20	G	U01 A03 293	SEPARATOR		1	1	1	1	
21	G	U01 A02 515	MOTOR SUPPORT		1	1	1	1	
22	G	U01 A01 297	TOP PANEL		1	1	1	1	
23	G	U01 A02 630	OUTDOOR HEAT EXCHANGER		1	1	1	1	
24	G	U01 A01 301	OUTDOOR FAN MOTOR	MF	1	1	1	1	RC0J55-□□
(25)	G	U01 A05 936	CAPILLARY TUBE		1	1	1	1	O.D. 0.118 x I.D. 0.055 x 10-1/4 (ø3.0 x ø1.4 x 260)

# RoHS PARTS LIST

MUZ-HM09NA - U1 MUZ-HM09NA2 - U1 MUZ-HM12NA - U1 MUZ-HM12NA2 - U1

## 1-2. OUTDOOR UNIT ELECTRICAL PARTS



# RoHS PARTS LIST

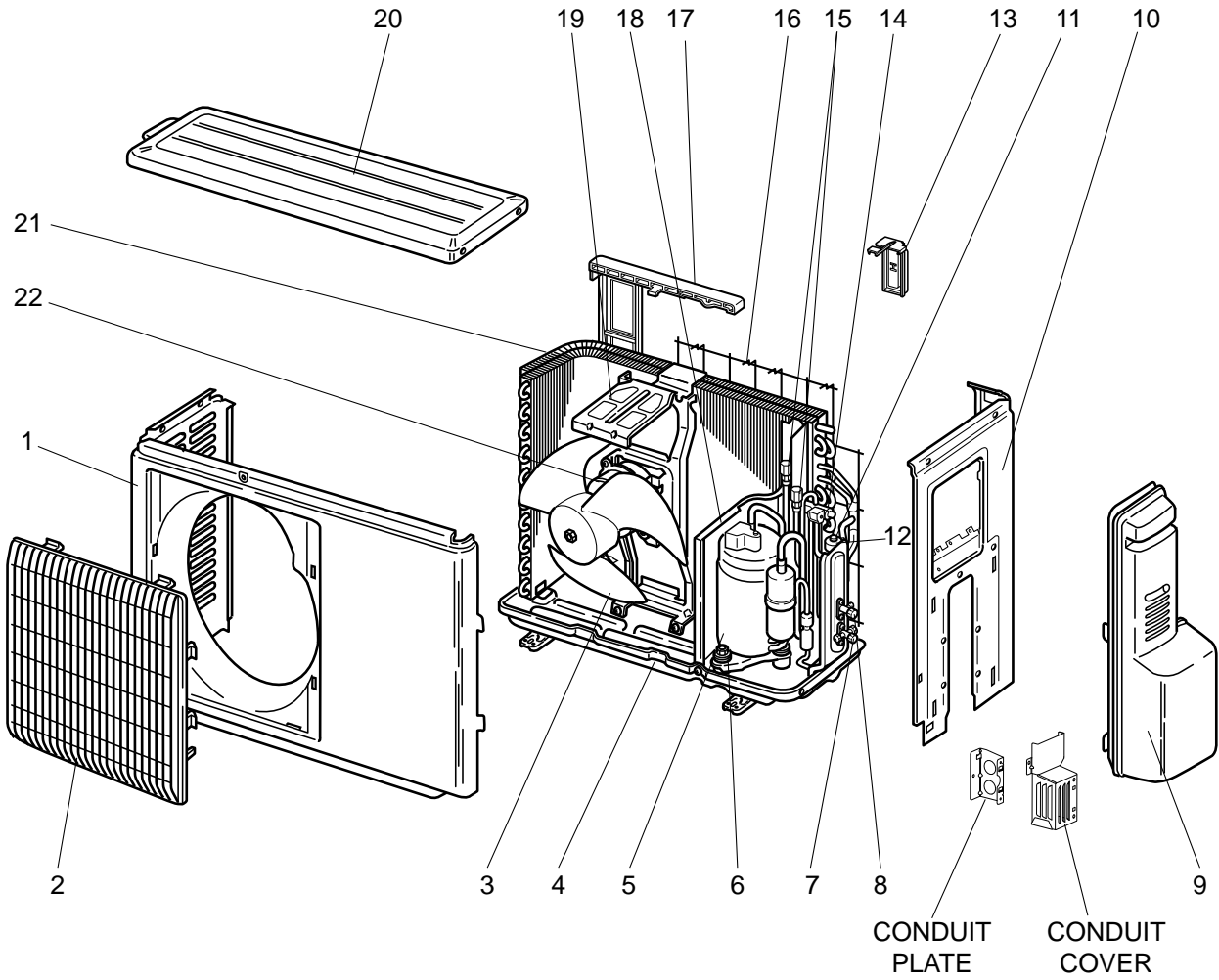
## 1-2. OUTDOOR UNIT ELECTRICAL PARTS

No.	RoHS	Part No.	Part name	Symbol in Wiring Diagram	Q'ty/unit				Remarks
					MUZ-HM				
					09NA - [U1]	09NA2 - [U1]	12NA - [U1]	12NA2 - [U1]	
1	G	U01 A02 337	REACTOR	L61	1	1	1	1	
2	G	U01 A01 306	THERMISTOR SET	RT61, RT62	1	1	1	1	DEFROST, DISCHARGE
3	G	U01 A03 308	THERMISTOR AMBIENT TEMP. TEMPERATURE	RT65	1	1	1	1	
4	G	U01 A02 307	OUTDOOR HEAT EXC. TEMPHERMISTOR	RT68	1	1	1	1	
5	G	U01 A01 490	R.V. COIL	21S4	1	1	1	1	
6	G	U01 A01 374	TERMINAL BLOCK	TB	1	1	1	1	5P
7	G	U01 A23 451	INVERTER P.C. BOARD		1	1			Including heat sink and RT64
	G	U01 A24 451	INVERTER P.C. BOARD				1	1	

# RoHS PARTS LIST

MUZ-HM09NA - U8 MUZ-HM09NA2 - U8 MUZ-HM12NA - U8 MUZ-HM12NA2 - U8

## 1-3. OUTDOOR UNIT STRUCTURAL PARTS AND FUNCTIONAL PARTS



# RoHS PARTS LIST

## 1-3. OUTDOOR UNIT STRUCTURAL PARTS AND FUNCTIONAL PARTS

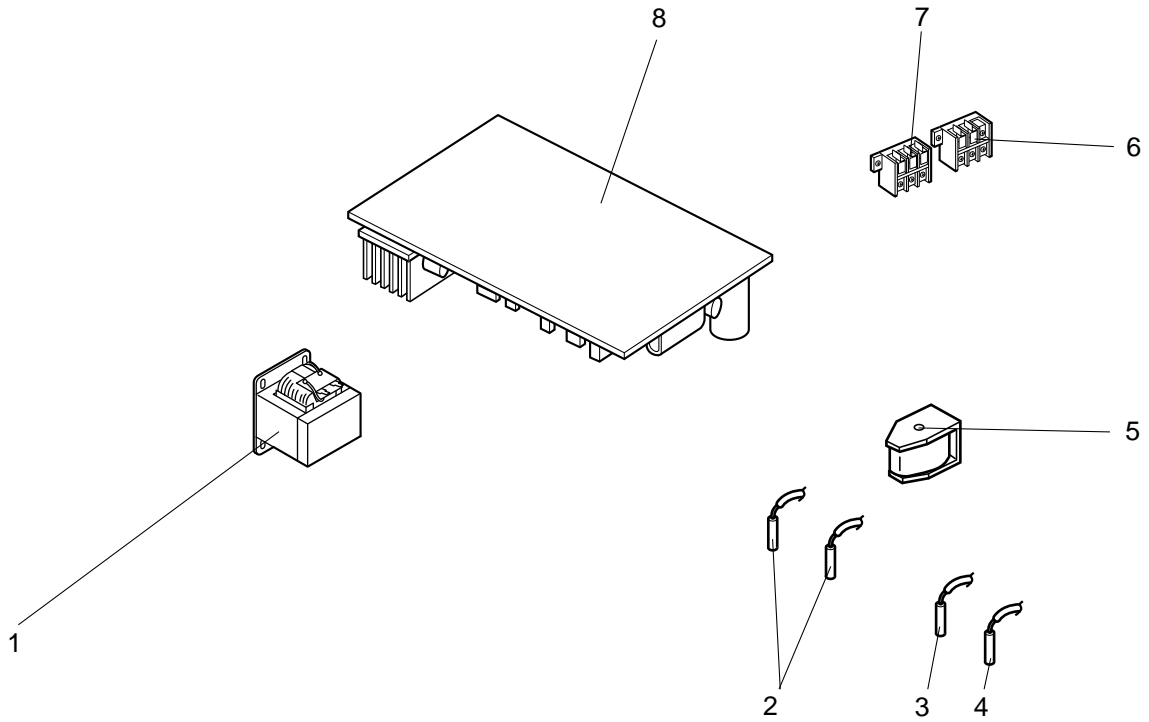
Part numbers that are circled are not shown in the illustration.

No.	RoHS	Part No.	Part name	Symbol in Wiring Diagram	Q'ty/unit				Remarks
					MUZ-HM				
					09NA - [U8]	09NA2 - [U8]	12NA - [U8]	12NA2 - [U8]	
1	G	E12 927 232	CABINET		1	1	1	1	
2	G	E12 927 521	GRILLE (OUT)		1	1	1	1	
3	G	E12 927 501	PROPELLER FAN		1	1	1	1	
4	G	E12 A82 290	BASE		1	1	1	1	
5	G	E12 E79 900	COMPRESSOR	MC	1	1			KNB073FQDHC
	G	E12 E80 900	COMPRESSOR	MC			1	1	KNB092FQAHC
6	G	E12 065 506	COMPRESSOR RUBBER SET		3	3	3	3	3RUBBERS/SET
7	G	E12 A54 661	STOP VALVE (GAS)		1	1	1	1	ø3/8 (ø9.52)
8	G	E12 T95 662	STOP VALVE (LIQUID)		1	1			ø1/4 (ø6.35)
	G	E12 927 662	STOP VALVE (LIQUID)				1	1	ø1/4 (ø6.35)
9	G	E12 A49 245	SERVICE PANEL		1	1	1	1	
10	G	E12 E79 233	BACK PANEL (OUT)		1	1	1	1	
11	G	E12 927 640	EXPANSION VALVE		1	1	1	1	
12	G	E12 927 493	EXPANSION VALVE COIL	LEV	1	1	1	1	
13	G	E12 928 079	THERMO HOLDER		1	1			
	G	E12 930 079	THERMO HOLDER				1	1	
14	G	E12 A54 961	4-WAY VALVE		1	1	1	1	
15	G	E12 E79 641	SERVICE PORT		2	2	2	2	1PC/SET
16	G	E12 928 523	CONDENSER NET		1	1			
	G	E12 930 523	CONDENSER NET				1	1	
17	G	E12 928 525	CONDENSER WIRE NET		1	1			
	G	E12 930 525	CONDENSER WIRE NET				1	1	
18	G	E12 D69 293	SEPARATOR		1	1			
	G	E12 C34 293	SEPARATOR				1	1	
19	G	E12 929 515	MOTOR SUPPORT				1	1	
	G	E12 927 515	MOTOR SUPPORT		1	1			
20	G	E12 927 297	TOP PANEL		1	1	1	1	
21	G	E12 Y08 630	OUTDOOR HEAT EXCHANGER		1	1			
	G	E12 Y10 630	OUTDOOR HEAT EXCHANGER				1	1	
22	G	E12 E79 301	OUTDOOR FAN MOTOR	MF	1	1	1	1	RC0J55-□□
②③	G	E12 927 937	CAPILLARY TUBE		1	1	1	1	O.D. 0.118 × I.D. 0.079 × 9-7/16 (ø3.0 × ø2.0 × 240)
②④	G	E12 735 936	CAPILLARY TUBE				2	2	O.D. 0.118 × I.D. 0.071 × 23-5/8 (ø3.0 × ø1.8 × 600)

# RoHS PARTS LIST

MUZ-HM09NA - U8 MUZ-HM09NA2 - U8 MUZ-HM12NA - U8 MUZ-HM12NA2 - U8

## 1-4. OUTDOOR UNIT ELECTRICAL PARTS





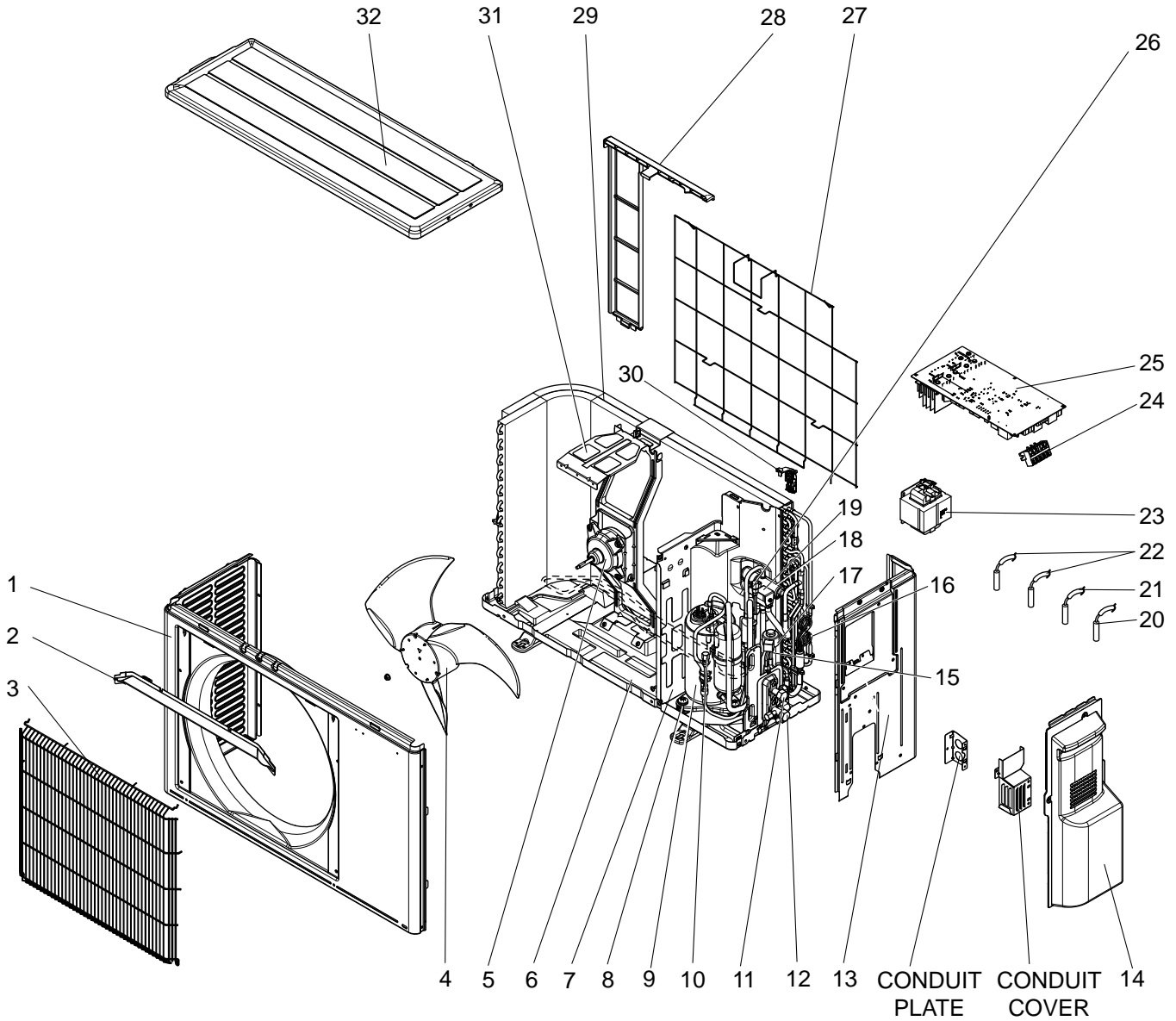
# RoHS PARTS LIST

## 1-4. OUTDOOR UNIT ELECTRICAL PARTS

No.	RoHS	Part No.	Part name	Symbol in Wiring Diagram	Q'ty/unit				Remarks
					MUZ-HM				
					09NA - [U8]	09NA2 - [U8]	12NA - [U8]	12NA2 - [U8]	
1	G	E12 G10 337	REACTOR	L61	1	1			
	G	E12 838 337	REACTOR	L61			1	1	
2	G	E12 C34 306	THERMISTOR SET	RT61, RT62	1	1	1	1	DEFROST, DISCHARGE
3	G	E12 927 308	AMBIENT TEMPERATURE THERMISTOR	RT65	1	1	1	1	
4	G	E12 C34 307	OUTDOOR HEAT EXCHANGER TEMPERATURE THERMISTOR	RT68	1	1	1	1	
5	G	E12 C85 490	R.V. COIL	21S4	1	1	1	1	
6	G	E12 A53 374	TERMINAL BLOCK	TB1	1	1	1	1	2P
7	G	E12 927 374	TERMINAL BLOCK	TB2	1	1	1	1	3P
8	G	E12 N38 451	INVERTER P.C. BOARD		1	1			Including heat sink and RT64
	G	E12 N39 451	INVERTER P.C. BOARD				1	1	

# RoHS PARTS LIST

## MUZ-HM15NA MUZ-HM15NA2 MUZ-HM18NA MUZ-HM18NA2 1-5. OUTDOOR UNIT STRUCTURAL PARTS, ELECTRICAL PARTS AND FUNCTIONAL PARTS



# RoHS PARTS LIST

## 1-5. OUTDOOR UNIT STRUCTURAL PARTS AND FUNCTIONAL PARTS

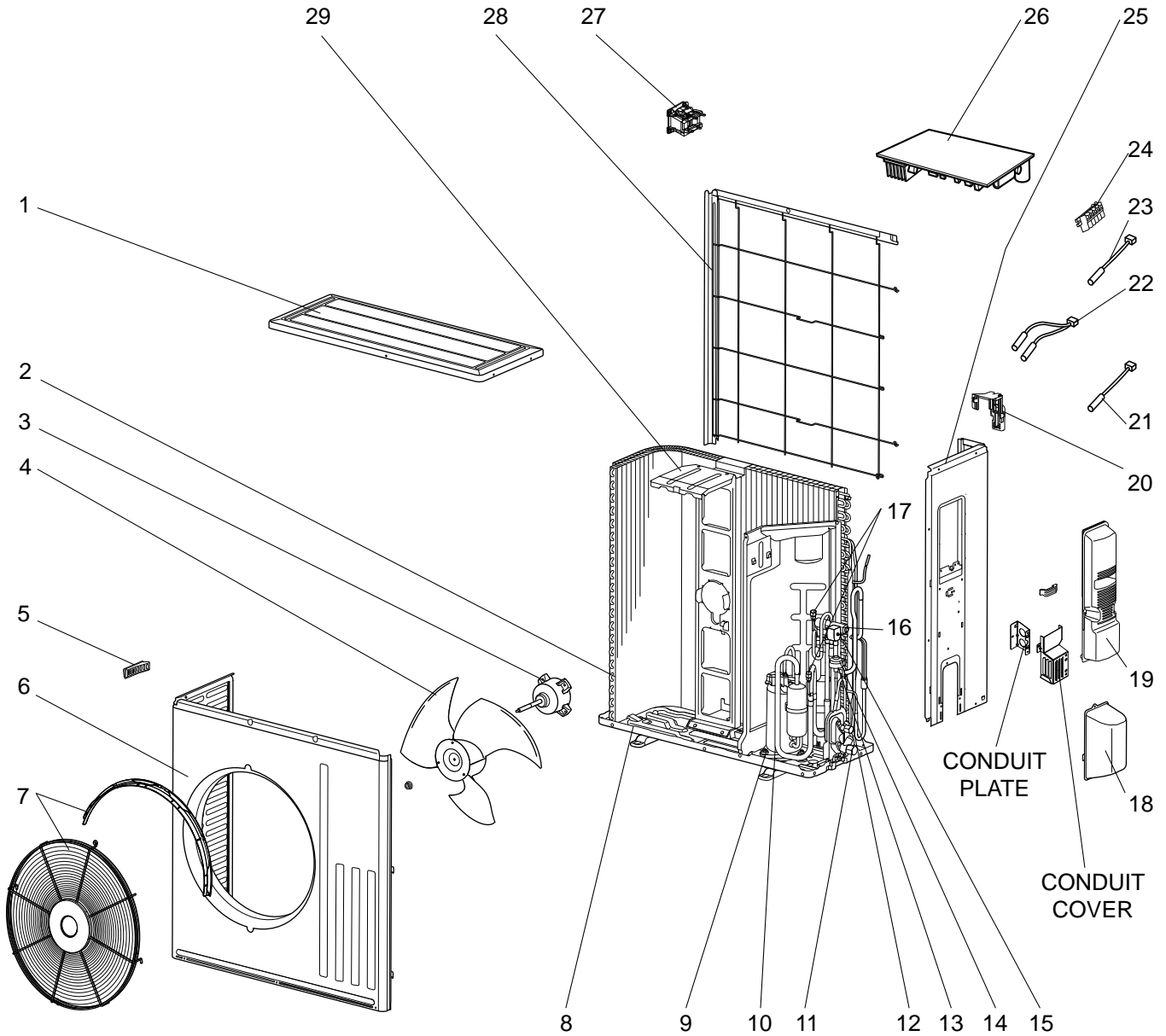
Part numbers that is circled is not shown in the illustration.

No.	RoHS	Part No.	Part Name	Symbol in Wiring Diagram	Q'ty/unit				Remarks
					MUZ-HM				
					15NA - [U1]	15NA2 - [U1]	18NA - [U1]	18NA2 - [U1]	
1	G	U01 A01 232	CABINET		1	1	1	1	
2	G	U01 A01 531	ICE GUARD		1	1	1	1	
3	G	U01 A01 521	GRILLE (OUT)		1	1	1	1	
4	G	U01 A01 501	PROPELLER FAN		1	1	1	1	
5	G	U01 A01 301	OUTDOOR FAN MOTOR	MF	1	1	1	1	RC0J55-□□
6	G	U01 A02 290	BASE		1	1	1	1	
7	G	U01 A02 293	SEPARATOR		1	1	1	1	
8	G	U01 A01 506	COMP. RUBBER SET		3	3	3	3	3 RUBBERS/SET
9	G	U01 A04 900	COMPRESSOR (SNB130FQBMT)	MC	1	1	1	1	SNB130FQBMT
10	G	U01 A01 641	SERVICE PORT (L)		1	1	1	1	
11	G	U01 A01 662	STOP VALVE (LIQ)		1	1	1	1	ø1/4 (ø6.35)
12	G	U01 A02 661	STOP VALVE (GAS)		1	1	1	1	ø1/2 (ø12.7)
13	G	U01 A01 233	BACK PANEL (OUT)		1	1	1	1	
14	G	U01 A01 245	SERVICE PANEL		1	1	1	1	
15	G	U01 A01 640	EXPANSION VALVE		1	1	1	1	
16	G	U01 A01 936	CAPILLARY TUBE		4	4	4	4	O.D. 0.118 x I.D. 0.079 x 8-9/32 (ø3.0 x ø2.0 x 210)
17	G	U01 A01 493	EXPANSION VALVE COIL	LEV	1	1	1	1	
18	G	U01 A01 961	4-WAY VALVE		1	1	1	1	
19	G	U01 A01 490	R.V. COIL	21S4	1	1	1	1	
20	G	U01 A03 308	THERMISTOR AMBIENT TEMP. TEMPERATURE	RT65	1	1	1	1	
21	G	U01 A02 307	OUTDOOR HEAT EXC. TEMP.THERMISTOR	RT68	1	1	1	1	
22	G	U01 A01 306	THERMISTOR SET	RT61, RT62	1	1	1	1	DEFROST,DISCHARGE TEMPERATURE
23	G	U01 A01 337	REACTOR	L61	1	1	1	1	
24	G	U01 A01 374	TERMINAL BLOCK	TB	1	1	1	1	5 P
25	G	U01 A16 451	INVERTER P.C. BOARD		1	1			Including heat sink and RT64
	G	U01 A17 451					1	1	
26	G	U01 A02 641	SERVICE PORT (H)		1	1	1	1	
27	G	U01 A01 525	CONDENSER WIRE NET		1	1	1	1	
28	G	U01 A01 523	CONDENSER NET		1	1	1	1	
29	G	U01 A01 630	OUTDOOR HEAT EXCHANGER		1	1	1	1	
30	G	U01 A02 079	THERMO HOLDER		1	1	1	1	
31	G	U01 A01 515	MOTOR SUPPORT		1	1	1	1	
32	G	U01 A01 297	TOP PANEL		1	1	1	1	
③③	G	U01 A02 936	CAPILLARY TUBE		1	1	1	1	O.D. 0.157 x I.D. 0.094 x 9-7/16 (ø4.0 x ø2.4 x 240)

# RoHS PARTS LIST

MUZ-HM24NA MUZ-HM24NA2

## 1-6. OUTDOOR UNIT STRUCTURAL PARTS, ELECTRICAL PARTS AND FUNCTIONAL PARTS



# RoHS PARTS LIST

## 1-6. OUTDOOR UNIT STRUCTURAL PARTS, ELECTRICAL PARTS AND FUNCTIONAL PARTS

Part numbers that are circled are not shown in the illustration.

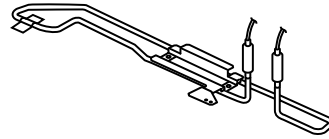
No.	RoHS	Part No.	Part Name	Symbol in Wiring Diagram	Q'ty/unit		Remarks
					MUZ-HM		
					24NA- [U1]	24NA2- [U1]	
1	G	E12 L87 297	TOP PANEL		1	1	
2	G	E12 N94 630	OUTDOOR HEAT EXCHANGER		1	1	
3	G	E12 N87 301	OUTDOOR FAN MOTOR	MF	1	1	RC0J77-□□
4	G	E12 F28 501	PROPELLER FAN		1	1	
5	G	E12 817 009	HANDLE		1	1	
6	G	E12 N94 232	CABINET		1	1	
7	G	E12 L87 521	FAN GUARD		1	1	Including ice guard
8	G	E12 F28 290	BASE		1	1	
9	G	E12 C34 506	COMPRESSOR RUBBER SET		3	3	3 RUBBERS/SET
10	G	E12 N94 900	COMPRESSOR	MC	1	1	SNB130FQBMT
11	G	E12 F76 661	STOP VALVE (GAS)		1	1	ø5/8 (ø15.88)
12	G	E12 F29 662	STOP VALVE (LIQUID)		1	1	ø3/8 (ø9.52)
13	G	E12 851 640	EXPANSION VALVE		1	1	
14	G	E12 F28 493	EXPANSION VALVE COIL	LEV	1	1	
15	G	E12 N91 490	R.V. COIL	21S4	1	1	
16	G	E12 A56 961	4-WAY VALVE		1	1	
17	G	E12 E79 641	SERVICE PORT		2	2	
18	G	E12 F28 650	VALVE COVER		1	1	
19	G	E12 N94 245	SERVICE PANEL		1	1	
20	G	E12 F28 079	THERMO HOLDER		1	1	
21	G	E12 G16 309	AMBIENT TEMPERATURE THERMISTOR	RT65	1	1	
22	G	E12 G16 308	THERMISTOR SET	RT61, RT62	1	1	DEFROST, DISCHARGE TEMPERATURE
23	G	E12 G16 307	OUTDOOR HEAT EXCHANGER TEMPERATURE THERMISTOR	RT68	1	1	
24	G	E12 L85 374	TERMINAL BLOCK	TB	1	1	5 P
25	G	E12 N94 233	BACK PANEL (OUT)		1	1	
26	G	E12 N93 451	INVERTER P.C. BOARD		1	1	Including heat sink and RT64
27	G	E12 H21 337	REACTOR	L61	1	1	
28	G	E12 L87 523	CONDENSER NET		1	1	
29	G	E12 F28 515	MOTOR SUPPORT		1	1	
③⑩	G	E12 262 936	CAPILLARY TUBE		1	1	O.D. 0.157 x I.D. 0.094 x 7-7/8 (ø4.0 x ø2.4 x 200)
③⑪	G	E12 838 936	CAPILLARY TUBE		4	4	O.D. 0.118 x I.D. 0.079 x 7-7/8 (ø3.0 x ø2.0 x 200)
③⑫	G	E12 527 936	CAPILLARY TUBE		1	1	O.D. 0.157 x I.D. 0.094 x 3-15/16 (ø4.0 x ø2.4 x 100)

# 2

# OPTIONAL PARTS

## 2-1. DEFROST HEATER

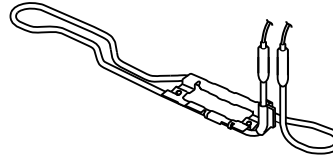
Model	Parts No.
MUZ-HM09NA	MAC-640BH-U
MUZ-HM09NA2	
MUZ-HM12NA	
MUZ-HM12NA2	
MUZ-HM15NA	
MUZ-HM15NA2	
MUZ-HM18NA	
MUZ-HM18NA2	



### Components

① Defrost heater	1	④ Cable tie	1
② Aluminum tape	1	⑤ Self drilling screw	2
③ Heater support	1	⑥ Insulation	1

Model	Parts No.
MUZ-HM24NA	MAC-642BH-U1
MUZ-HM24NA2	



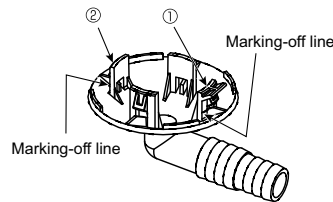
### Components

① Defrost heater	1	④ Cable clamp	1
② Heater support	1	⑤ Self drilling screw	2
③ Cable tie	1	⑥ Wiring diagram	1

**Note:** Refer to the installation manual for the installation.

## 2-2. DRAIN SOCKET

Model	Parts No.
MUZ-HM09NA	MAC-860DS
MUZ-HM09NA2	
MUZ-HM12NA	
MUZ-HM12NA2	
MUZ-HM15NA	
MUZ-HM15NA2	
MUZ-HM18NA	
MUZ-HM18NA2	
MUZ-HM24NA	
MUZ-HM24NA2	



### Installing a Drain Socket

For  $\Phi$  1-5/8 ( $\Phi$  42) hole

Put the tab ① in the hole first, and then the tab ②.

# MITSUBISHI ELECTRIC CORPORATION

HEAD OFFICE: TOKYO BUILDING, 2-7-3, MARUNOUCHI, CHIYODA-KU, TOKYO 100-8310, JAPAN

© Copyright 2015 MITSUBISHI ELECTRIC CORPORATION

Issued: Feb. 2017. No. OBB747 REVISED EDITION-B

Issued: Feb. 2016. No. OBB747 REVISED EDITION-A

Published: Dec. 2015. No. OBB747

Made in Japan

Specifications are subject to change without notice.