
Kaishan Rotary Screw Air Compressor

KRSD 60/75HP Parts Manual

PN: 97002023000156

Release August 2023, Version:S

(115PSI /125PSI/150PSI/230V/460V/575V/60HZ/FS/VSD/ASME/UL)

TABLE OF CONTENTS

| | |
|--|-----------|
| Service Parts | 3 |
| Serial Number | 3 |
| Fluid Specification | 4 |
| Spare Parts | 5 |
| Airend and Inlet valve..... | 6 |
| Base Mounting..... | 10 |
| Reservoir | 12 |
| Driving System and Electrical Motor | 16 |
| Air Cooler | 20 |
| Fluid Piping..... | 22 |
| Air Piping..... | 24 |
| Cabinet..... | 28 |
| Electrical Enclosure | 32 |
| Decals | 46 |
| Standard Terms and Conditions..... | 49 |
| Appendix..... | 52 |
| Contact Information | 53 |

Service Parts

The following information must be provided for ordering service parts:

1. The serial number of unit must be provided. It will be verified to ensure correct replacement parts are ordered.
2. Service parts must be ordered from closest authorized distributor.
3. Exact part number, quantity and delivery method must be provided.

All service parts must be ordered through nearest authorized distributor. Insist on genuine manufacturer parts only. Failure to do so may void product warranty.

Serial Number

The unit serial number can be found on serial number tag, which is located on the cabinet corner post of the unit. The serial number tag is shown as follows.



Fluid Specification

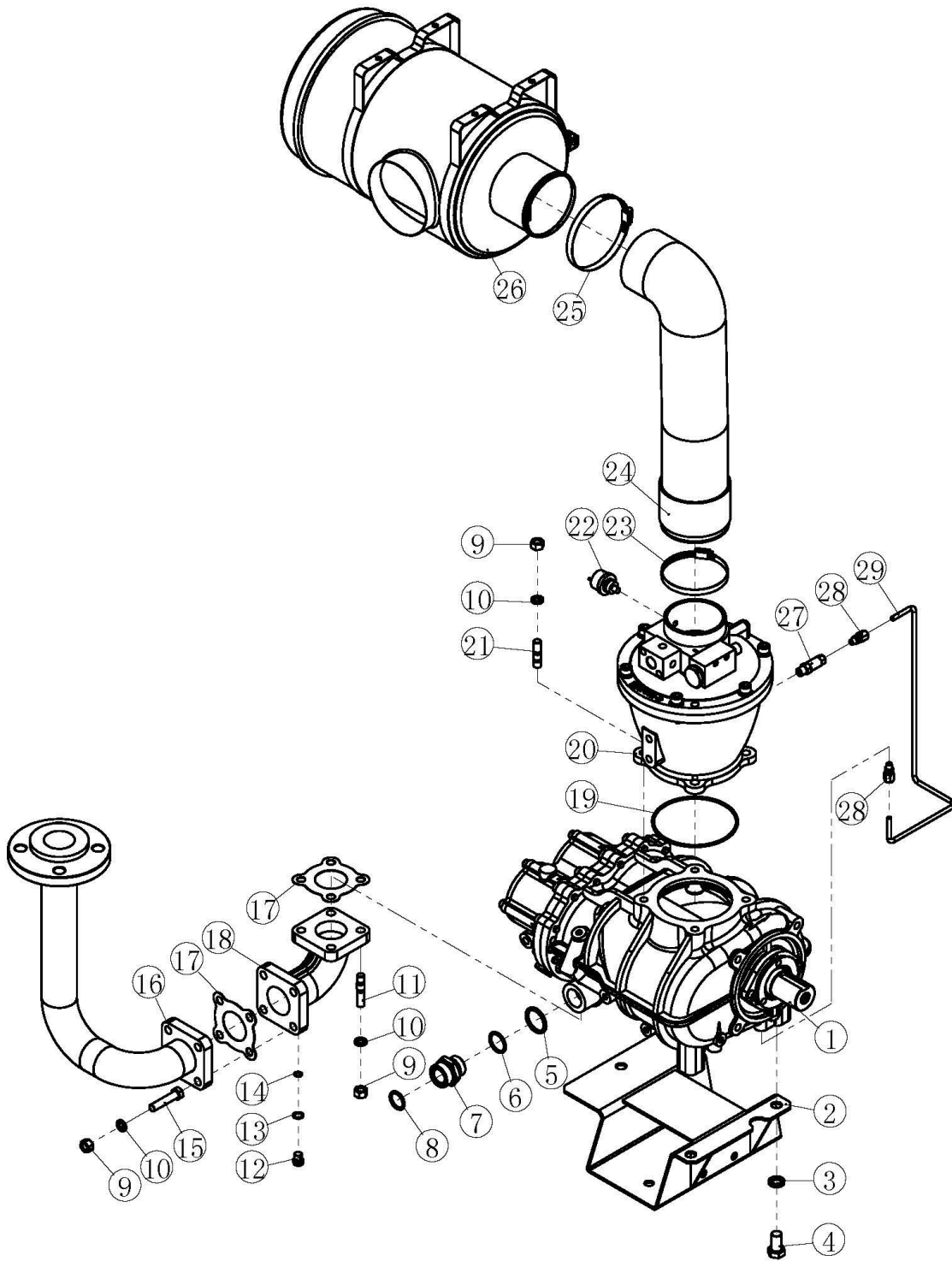
All KRSD Compressors must use KCA recommended fluid for maintenance.

Spare Parts

Recommended spare parts are shown as follows:

| ITEM | No. | QTY | PART NUMBER | DESCRIPTION | | |
|------|-----|-----|----------------|-----------------------------|--|--|
| 1 | | 1 | 56012 230365 | Air filter element | | |
| 2 | | 1 | 07709 13517 70 | Oil filter | | |
| 3 | | 1 | 55220 273305 | Fluid/air separator element | | |
| | | | | | | |
| | | | | | | |

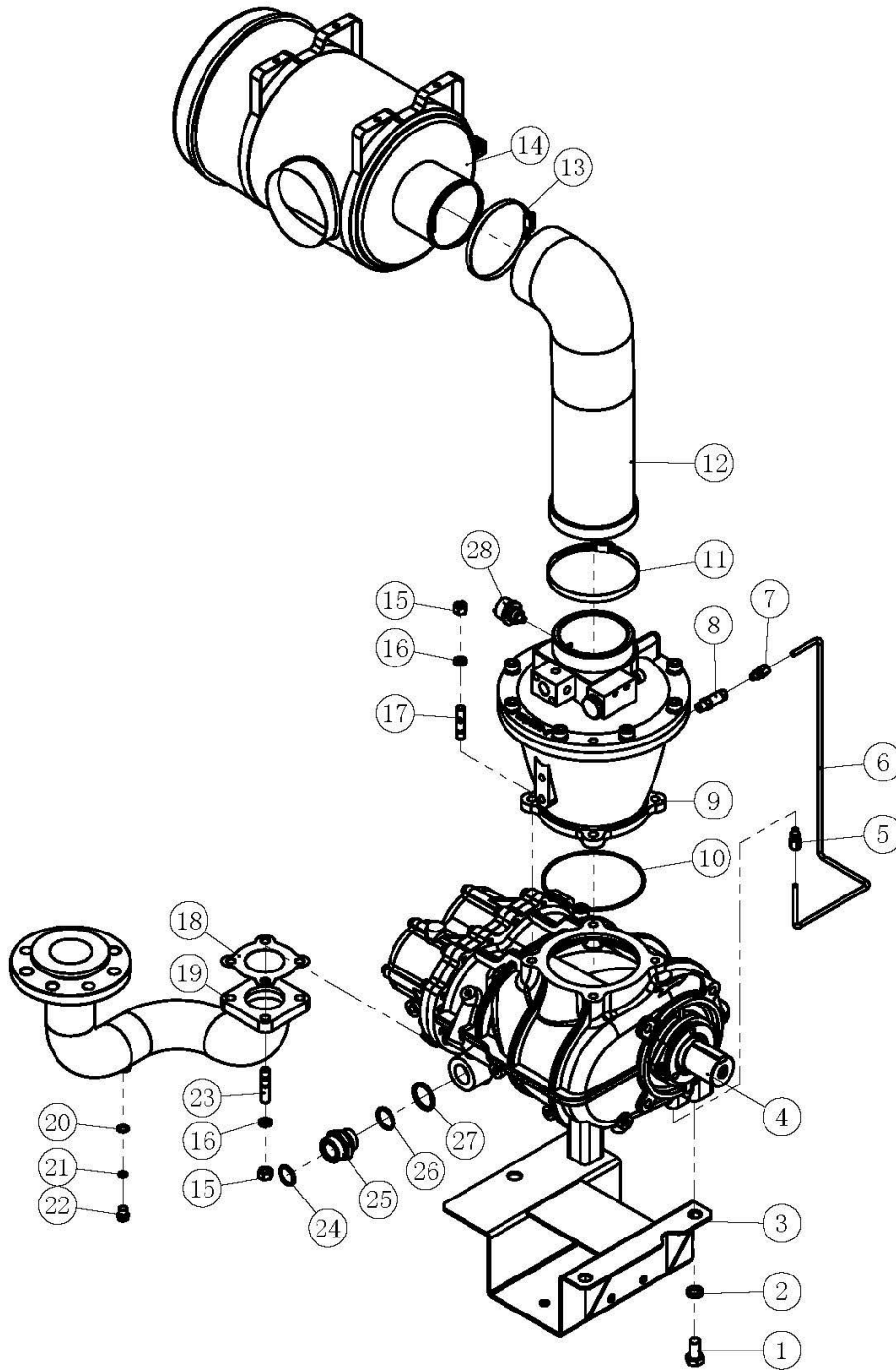
Airend and Inlet valve



Airend and Inlet valve

| NO. | PN | DESCRIPTION | QTY | REMARK |
|------|----------------|------------------------|-----|--|
| 1 | 4150101 | Airend | 1 | 60HP/115PSI |
| | 4040201 | | | 60HP/150PSI |
| | 4150201 | | | 75HP/150PSI |
| 2 | 89433 01001 60 | Support | 1 | 60HP/115PSI |
| | 89533 01001 60 | | | 60HP/150PSI |
| | 90533 01001 60 | | | 75HP/150PSI |
| 3 | 01365 16000 00 | Washer | 3 | 16 |
| 4 | 01307 16030 00 | Bolt | 3 | M16x30 |
| 5 | 02201 00025 00 | Threaded washer | 1 | |
| 6 | 02901 03000 30 | O-ring | 1 | 30X3.55 |
| 7 | 13315 07003 09 | joint | 1 | |
| 8 | 02901 02580 30 | O-ring | 1 | 25.8X3.55 |
| 9 | 01322 12000 00 | Nut | 12 | M12 |
| 10 | 01365 12000 00 | Washer | 9 | 12 |
| 11 | 01391 12045 00 | Stud | 4 | M12x45 |
| 12 | 18404 03100 00 | Plug | 1 | (M12X1.5) |
| 13 | 02201 01215 00 | Threaded washer | 1 | |
| 14 | 02901 00950 10 | O-ring | 1 | 9.5X1.8 |
| 15 | 01306 12055 00 | Bolt | 4 | M12x55 |
| 16 | 90239 03001 00 | Connecting pipe | 1 | 60HP/115PSI |
| | 89533 03001 60 | | | 60HP/150PSI |
| | 90533 03001 00 | | | 75HP/150PSI |
| 17 | 02217 09604 13 | Gasket | 2 | |
| 18 | 16424 03001 00 | Discharge pipe | 1 | |
| 19 | 02901 13200 30 | O-ring | 1 | 132X3.55 |
| 20 | 01662 00000 00 | Inlet valve | 1 | 60HP |
| 20A* | 04002 00090 02 | Inlet valve kit | 1 | Guidance tape 1, O-ring 73X3.55, Spring 1, Spring 2, O-ring 195X3.55, Guidance tape 2, O-ring 130x3.55 |
| 20B* | 01692 03000 01 | Check valve | 1 | |
| 20C* | 01692 00010 03 | Blowdown block | 1 | |
| 21 | 01391 12035 00 | Stud | 4 | M12x35 |
| 22 | 02809 00102 00 | DP switch (air filter) | 1 | |
| 23 | 04401 10512 70 | Clamp | 1 | |
| 24 | 02907 11100 49 | Flexible pipe | 1 | 60HP/115PSI |
| | 02907 12100 51 | | | 60HP/150PSI |
| | 02907 12100 47 | | | 75HP/150PSI |
| | 02907 11100 72 | | | 60HP/115PSI/VSD |
| | 02907 12100 74 | | | 60HP/150PSI/VSD |
| | 02907 12100 70 | | | 75HP/150PSI/VSD |
| 25 | 04401 11015 00 | Hoop | 1 | |
| 26 | 07702 12230 37 | Air filter | 1 | |
| 27 | 01610 03000 00 | Check valve | 1 | |
| 28 | 01512 06100 00 | joint | 2 | |
| 29 | 89433 01100 00 | Oil return pipe | 1 | 60HP/115PSI,75HP/150PSI |
| | 89533 01100 60 | | | 60HP/150PSI |

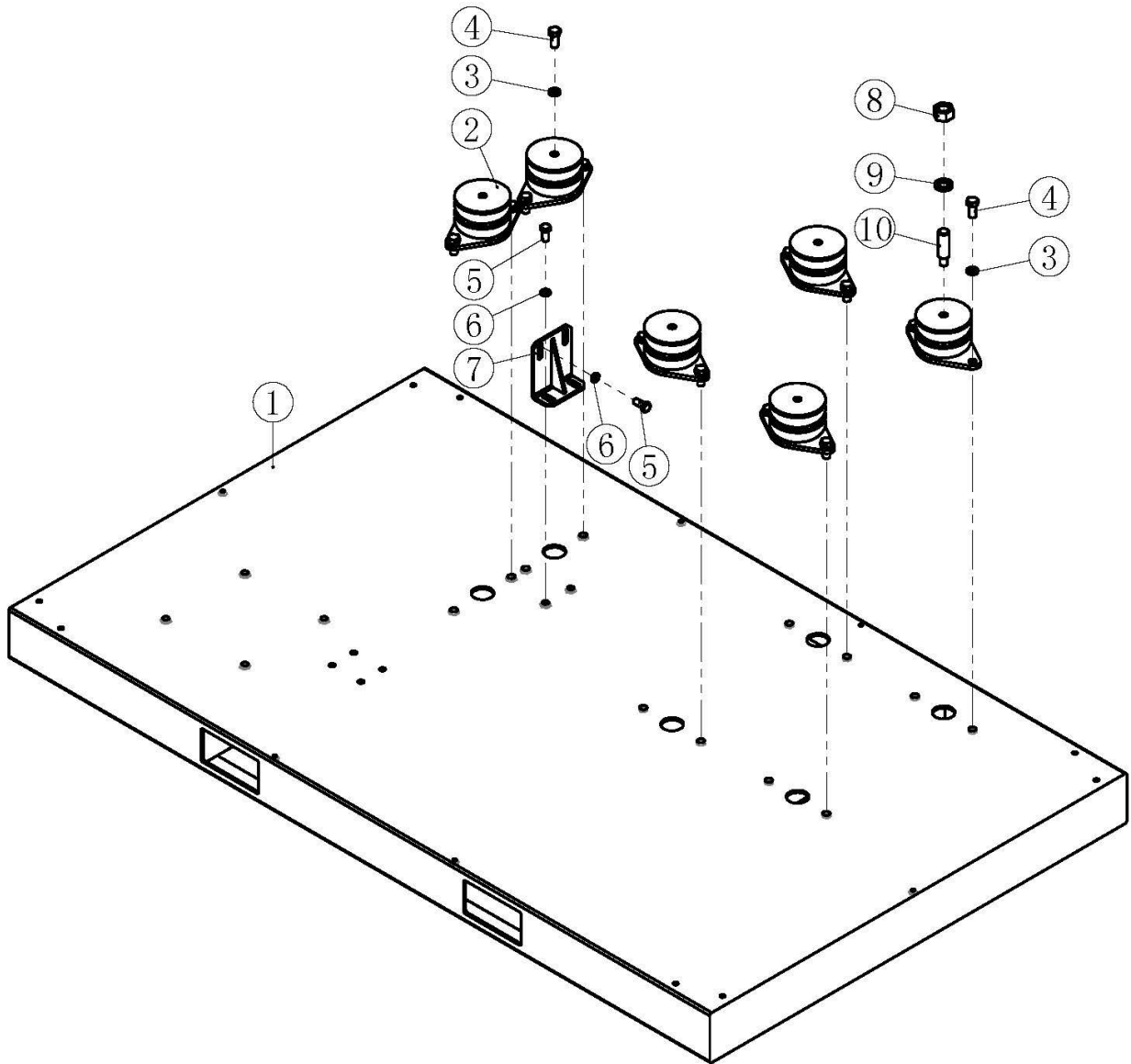
Airend and Inlet valve



Airend and Inlet valve

| NO. | PN | DESCRIPTION | QTY | REMARK |
|-----|----------------|------------------------|-----|---|
| 1 | 01307 16030 00 | Bolt | 3 | M16×30 |
| 2 | 01365 16000 00 | Washer | 3 | 16 |
| 3 | 90017 01001 00 | Support | 1 | |
| 4 | 4050101 | Airend | 1 | |
| 5 | 01512 06110 00 | Joint | 1 | |
| 6 | 90443 01100 00 | Oil return pipe | 1 | |
| 7 | 01512 06100 00 | Joint | 1 | |
| 8 | 01610 03000 00 | Check valve | 1 | |
| 9 | 01664 00000 00 | Inlet valve | 1 | 75HP |
| 9A* | 04002 00105 02 | Inlet valve kit | 1 | Guidance tape 1, O-ring 235x5.3, Spring 1, Spring 2, O-ring 87.5x3.55, Guidance tape 2, O-ring 150x3.55 |
| 9B* | 01692 03000 01 | Check valve | 1 | |
| 9C* | 01692 00010 03 | Blowdown valve | 1 | |
| 10 | 02901 15000 30 | O-ring | 1 | 150X3.55 |
| 11 | 04401 13015 00 | Clamp | 1 | |
| 12 | 02907 11130 52 | Flexible pipe | 1 | 75HP/115PSI |
| | 02907 11130 66 | Flexible pipe | 1 | 75HP/115PSI/VSD |
| 13 | 04401 12213 00 | Clamp | 1 | |
| 14 | 07702 12230 37 | Air filter | 1 | |
| 15 | 01322 12000 00 | Nut | 8 | M12 |
| 16 | 01365 12000 00 | Washer | 8 | 12 |
| 17 | 01391 12040 00 | Stud | 4 | M12×40 |
| 18 | 02217 10604 16 | Seal | 1 | |
| 19 | 90433 03001 60 | Connecting pipe1 | 1 | |
| 20 | 02201 01215 00 | Threaded washer | 1 | |
| 21 | 02901 00950 10 | O-ring | 1 | 9.5X1.8 |
| 22 | 18404 03100 00 | Plug | 1 | (M12X1.5) |
| 23 | 01391 12045 00 | Stud | 4 | M12×45 |
| 24 | 02901 02580 30 | O-ring | 1 | 25.8X3.55 |
| 25 | 13315 07003 09 | Joint | 1 | |
| 26 | 02901 03000 30 | O-ring | 1 | 30X3.55 |
| 27 | 02201 00025 00 | Threaded washer | 1 | |
| 28 | 02809 00102 00 | DP switch (air filter) | 1 | |

Base Mounting

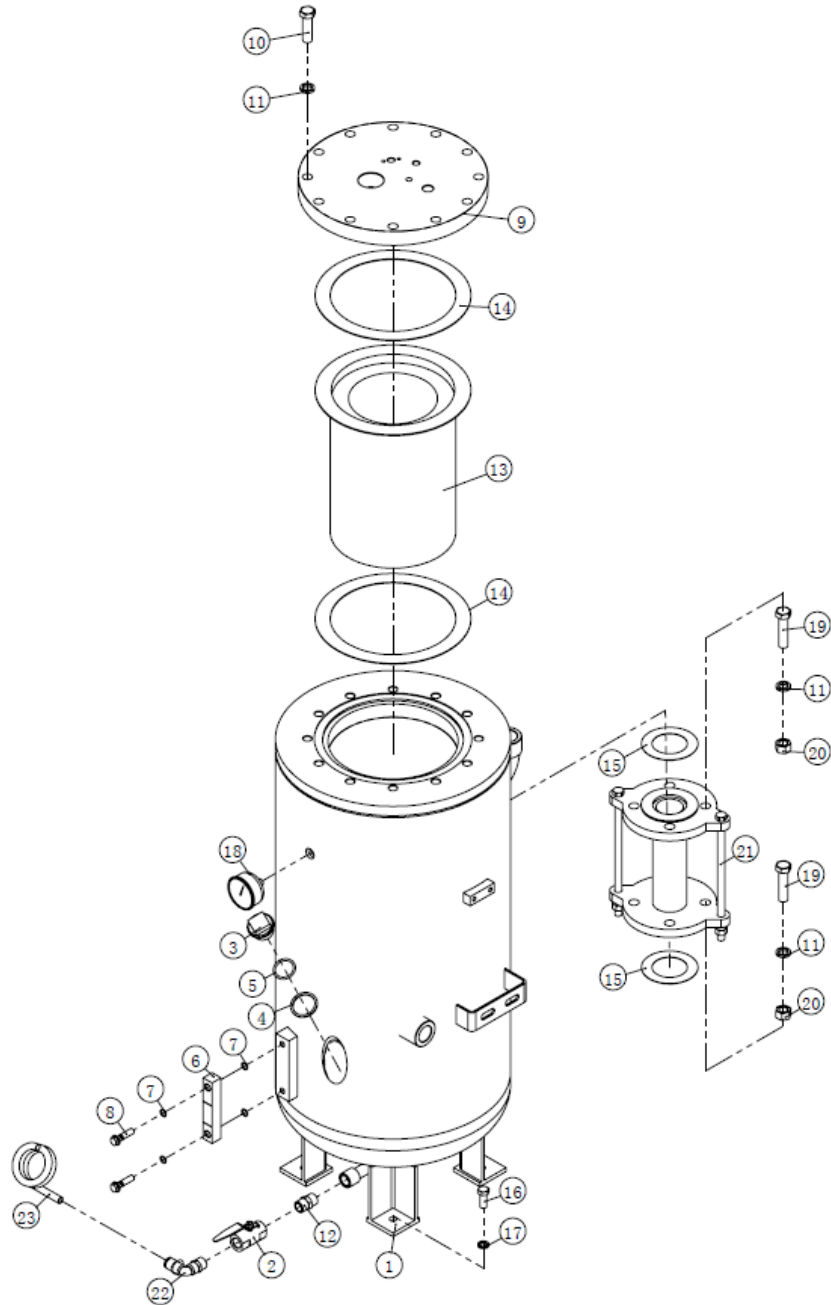


Base Mounting

| NO. | PN | DESCRIPTION | QTY | REMARK |
|-----|----------------|-----------------------|-----|------------|
| 1 | 90433 02010 60 | Base | 1 | 115PSI/FS |
| | 90244 02010 00 | Base | | 115PSI/VSD |
| | 90533 02010 60 | Base | | 150PSI/FS |
| | 90544 02010 00 | Base | | 150PSI/VSD |
| 2 | 02905 00002 00 | Absorber | 6 | |
| 3 | 01365 14000 00 | Washer | 14 | 14 |
| 4 | 01307 14030 00 | Bolt | 14 | M14X30 |
| 5 | 01307 12025 00 | Bolt | 4 | M12X25 |
| 6 | 01365 12000 00 | Washer | 4 | 12 |
| 7 | 12333 00003 00 | Fixed plate, Shipping | 1 | |
| 8 | 01322 22000 00 | Nut | 4 | M22 |
| 9 | 01365 22000 00 | Washer | 4 | 22 |
| 10 | 99131 02001 00 | Stud | 4 | M14-M22 |

Reservoir

(60-115/150 FS, 75-150 FS, 60-115/150 VSD, 75-150 VSD)

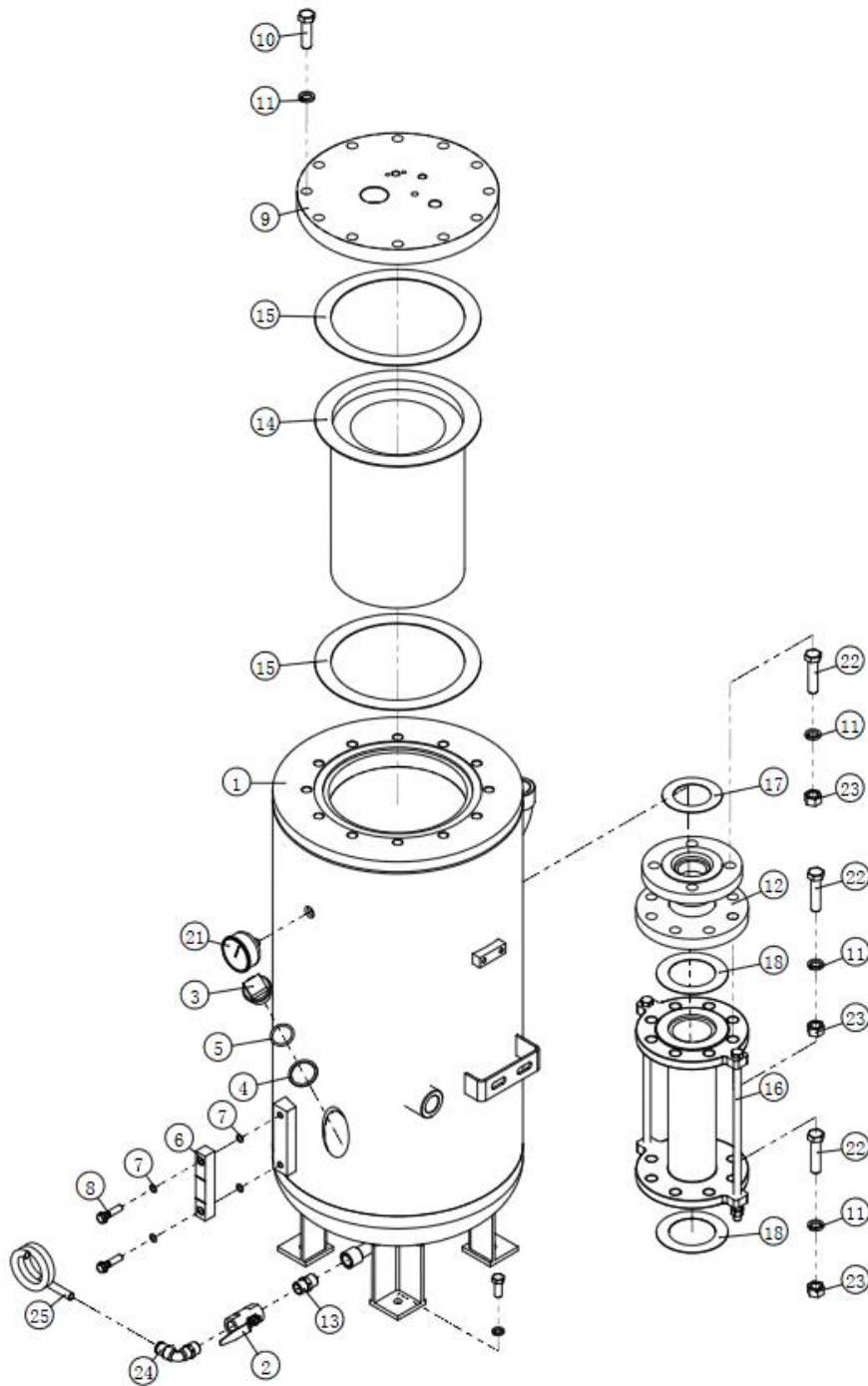


Reservoir

| NO. | PN | DESCRIPTION | QTY | REMARK |
|-----|----------------|-----------------------------|-----|-----------|
| 1 | 18333 03010 00 | Air/fluid separator tank | 1 | |
| 2 | 01613 01500 00 | Ball valve | 1 | DN15 |
| 3 | 13340 03003 00 | Plug | 1 | |
| 4 | 02201 03320 00 | Screw washer | 1 | |
| 5 | 02901 03350 30 | O ring | 1 | 33.5X3.55 |
| 6 | 13315 03002 00 | Sight glass | 1 | |
| 7 | 02901 01060 10 | O ring | 4 | 10.6X1.8 |
| 8 | 13315 03001 00 | Hollow bolt | 2 | M10X40 |
| 9 | 18333 03010 60 | Lid | 1 | |
| 10 | 01307 16055 00 | Bolt | 12 | M16×55 |
| 11 | 01365 16000 00 | Washer | 20 | 16 |
| 12 | 13340 03004 00 | Joint | 1 | |
| 13 | 55220 273305 | Air/fluid separator element | 1 | |
| 14 | 02216 22273 16 | Gasket | 2 | |
| 15 | 02216 05016 06 | Gasket | 2 | |
| 16 | 01307 12030 00 | Bolt | 4 | M12×30 |
| 17 | 01365 12000 00 | Washer | 4 | 12 |
| 18 | 02801 06308 00 | Pressure gauge | 1 | |
| 19 | 01306 16065 00 | Bolt | 8 | M16×65 |
| 20 | 01322 16000 00 | Nut | 8 | M16 |
| 21 | 18333 03003 00 | Corrugated pipe | 1 | |
| 22 | 01543 21012 01 | Joint | 1 | |
| 23 | 02917 12500 00 | Nylon pipe | 1 | |

Reservoir

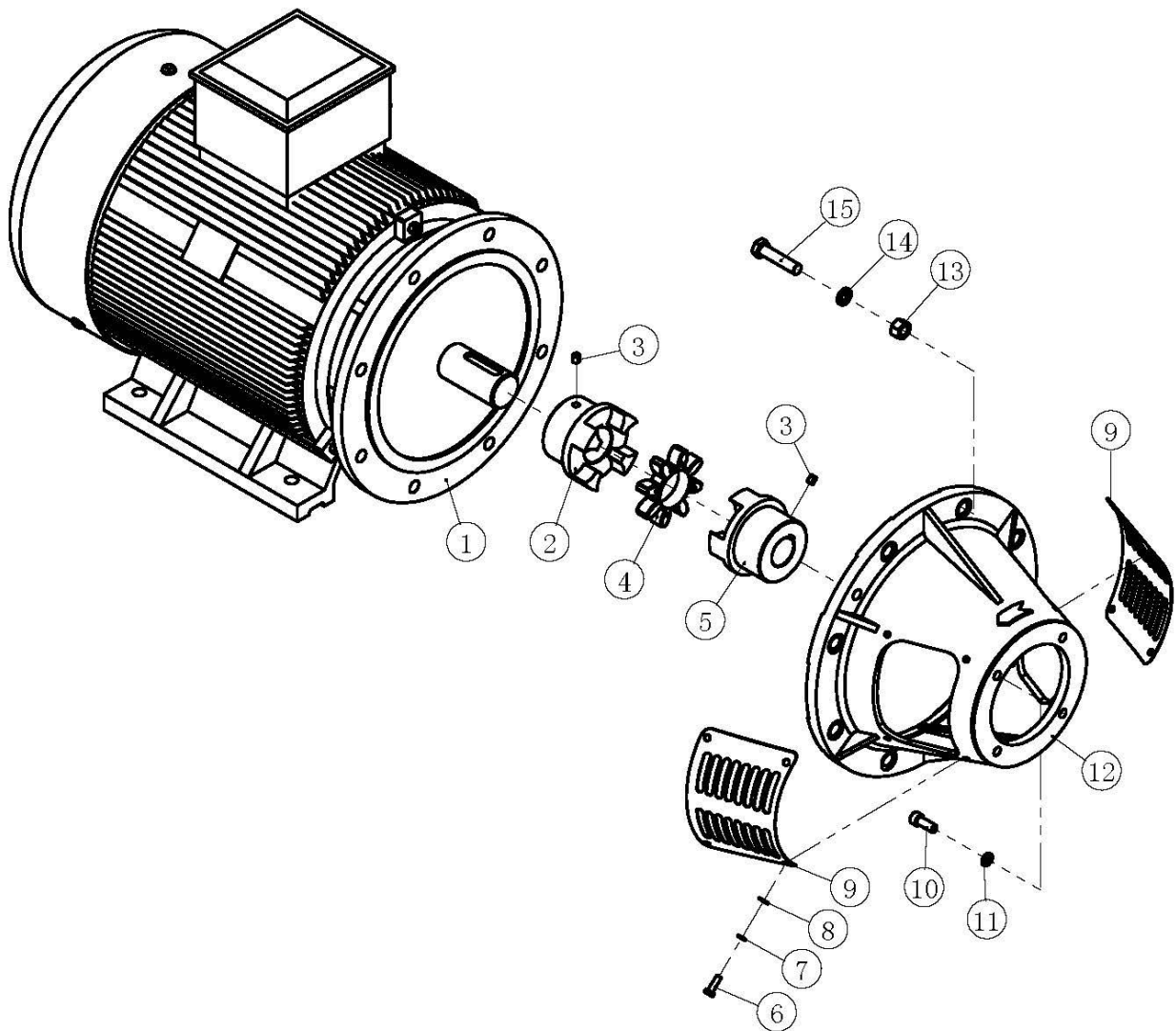
(75-115 FS, 75-115 VSD)



Reservoir

| NO. | PN | DESCRIPTION | QTY | REMARK |
|-----|----------------|--------------------------|-----|-----------|
| 1 | 18333 03010 00 | Air/fluid separator tank | 1 | |
| 2 | 01613 01500 00 | Ball valve | 1 | DN15 |
| 3 | 13340 03003 00 | Plug | 1 | |
| 4 | 02201 03320 00 | Screw washer | 1 | |
| 5 | 02901 03350 30 | O ring | 1 | 33.5X3.55 |
| 6 | 13315 03002 00 | Sight glass | 1 | |
| 7 | 02901 01060 10 | O ring | 4 | 10.6X1.8 |
| 8 | 13315 03001 00 | Hollow bolt | 2 | M10X40 |
| 9 | 18333 03010 60 | Lid | 1 | |
| 10 | 01307 16055 00 | Bolt | 12 | M16×55 |
| 11 | 01365 16000 00 | Washer | 32 | 16 |
| 12 | 90433 03001 26 | Connecting pipe | 1 | |
| 13 | 13340 03004 00 | Joint | 1 | |
| 14 | 55220 273305 | Gasket | 1 | |
| 15 | 02216 22273 16 | Gasket | 2 | |
| 16 | 20404 03001 11 | Corrugated pipe | 1 | |
| 17 | 02216 05016 06 | Gasket | 1 | |
| 18 | 02216 06516 06 | Gasket | 2 | |
| 19 | 01307 12030 00 | Bolt | 4 | M12×30 |
| 20 | 01365 12000 00 | Washer | 4 | 12 |
| 21 | 02801 06308 00 | Pressure gauge | 1 | |
| 22 | 01306 16065 00 | Bolt | 20 | M16×65 |
| 23 | 01322 16000 00 | Nut | 20 | M16 |
| 24 | 01543 21012 01 | Joint | 1 | |
| 25 | 02917 12500 00 | Nylon pipe | 1 | |

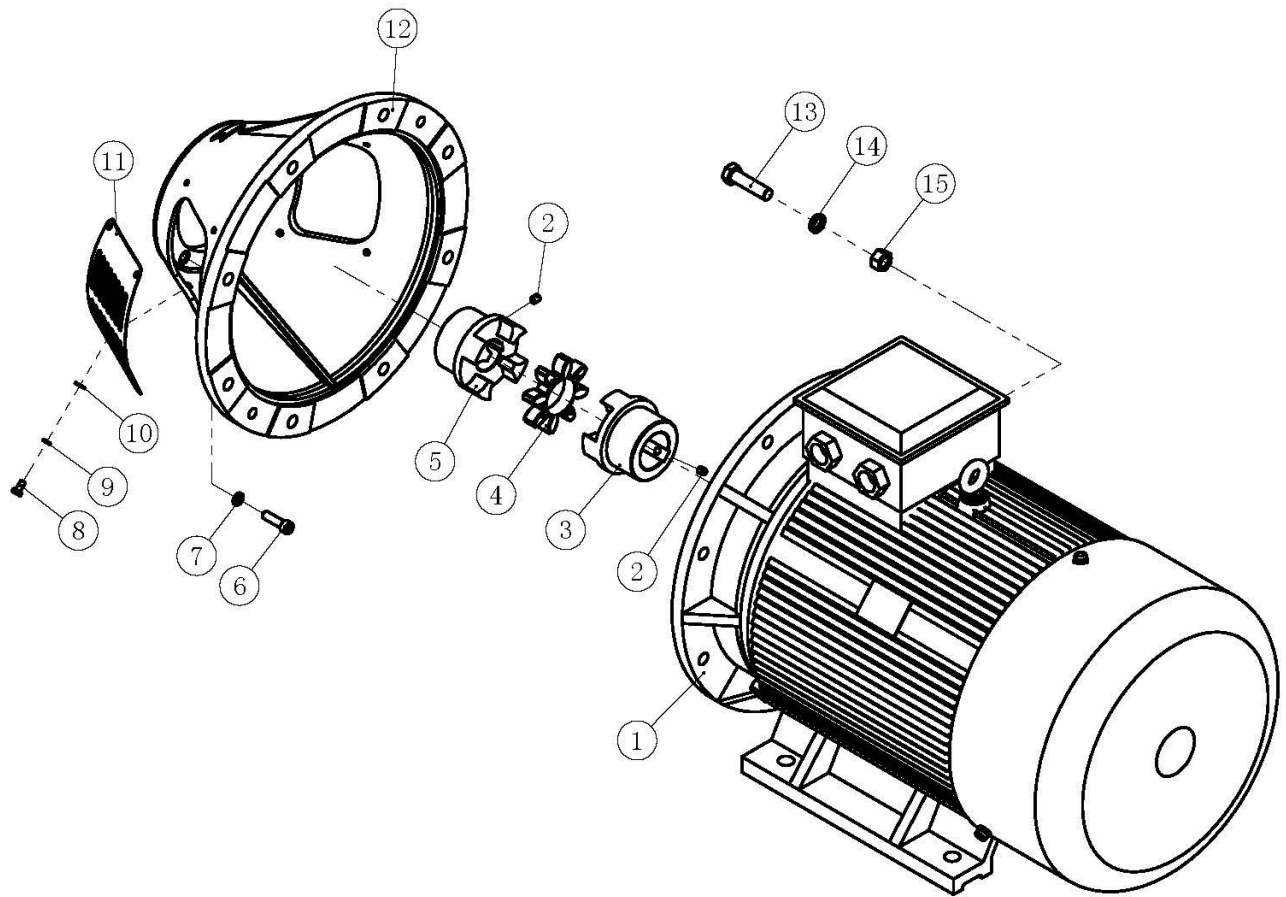
Driving System and Electrical Motor(60HP)



Driving System and Electrical Motor(60HP)

| NO. | PN | DESCRIPTION | QTY | REMARK |
|-----|----------------|----------------|-----|--------------------------|
| 1 | 62045 46641 20 | Motor | 1 | 460V/Fixed speed/IE3 |
| | 62045 36641 20 | Motor | 1 | 230/460V/Fixed speed/IE3 |
| | 62045 46941 25 | Motor | 1 | 460V/VSD/IE3 |
| | 62045 57641 20 | Motor | 1 | 575V/Fixed speed/IE3 |
| | 62045 57941 25 | Motor | 1 | 575V/VSD/IE3 |
| 2 | 01905 05505 50 | Half coupling | 1 | M10X10 |
| 3 | 01347 10010 00 | Set screw | 2 | |
| 4 | 01908 05500 00 | Elastomer | 1 | |
| 5 | 01905 05504 50 | Half coupling | 1 | |
| 6 | 01307 08025 00 | Bolt | 8 | M8X25 |
| 7 | 01365 08000 00 | Washer | 8 | 8 |
| 8 | 01366 08000 00 | washer | 8 | 8 |
| 9 | 01910 10530 01 | Coupling guard | 2 | 60HP/115PSI |
| | 01910 09930 10 | | 2 | 60HP/150PSI |
| 10 | 01344 12030 00 | Bolt | 4 | M12×30 |
| 11 | 01365 12000 00 | Washer | 4 | 12 |
| 12 | 0830103001 | Motor adaptor | 1 | 60HP/115PSI |
| | 0840103001 | | 1 | 60HP/150PSI |
| 13 | 01322 16000 00 | Nut | 8 | M16 |
| 14 | 01365 16000 00 | Washer | 8 | 16 |
| 15 | 01306 16070 00 | Bolt | 8 | M16×70 |

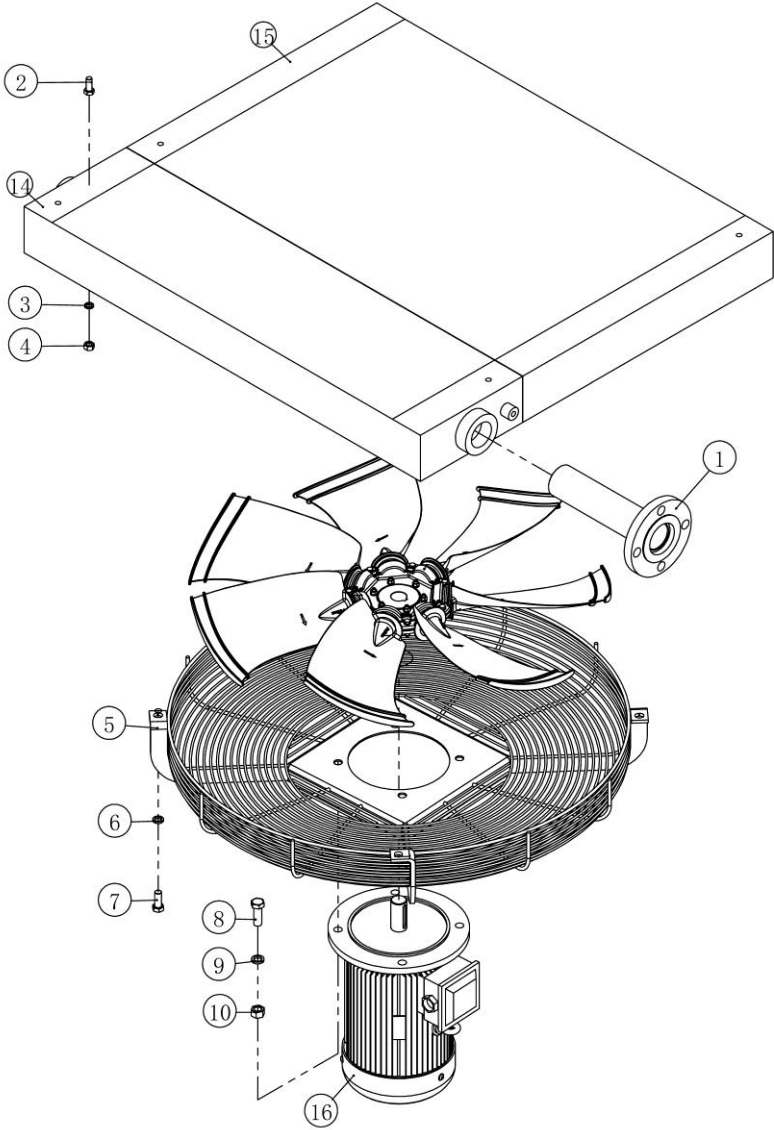
Driving System and Electrical Motor(75HP)



Driving System and Electrical Motor

| NO. | PN | DESCRIPTION | QTY | REMARK |
|-----|----------------|----------------|-----|--------------------------|
| 1 | 62055 46641 25 | Motor | 1 | 460V/Fixed speed/IE3 |
| | 62055 36641 25 | Motor | 1 | 230/460V/Fixed speed/IE3 |
| | 62055 36641 35 | Motor | 1 | 230/460V/Fixed speed/IE2 |
| | 62055 46941 25 | Motor | 1 | 460V/VSD/IE3 |
| | 62055 58641 25 | Motor | 1 | 575V/Fixed speed/IE3 |
| | 62055 58941 25 | Motor | 1 | 575V/VSD/IE3 |
| 2 | 01347 10010 00 | Set screw | 2 | M10X10 |
| 3 | 01905 05506 00 | Half coupling | 1 | |
| 4 | 01908 05500 00 | Elastomer | 1 | |
| 5 | 01905 05505 00 | Half coupling | 1 | 75HP/115PSI |
| | 01905 05504 50 | | 1 | 75HP/150PSI |
| 6 | 01344 12040 00 | Bolt | 4 | M12X40 |
| 7 | 01365 12000 00 | Washer | 4 | 12 |
| 8 | 01307 08016 00 | Bolt | 8 | M8X16 |
| 9 | 01365 08000 00 | Washer | 8 | 8 |
| 10 | 01366 08000 00 | Washer | 8 | 8 |
| 11 | 01910 11530 10 | Coupling guard | 2 | 75HP/115PSI |
| | 01910 10531 10 | | 2 | 75HP/150PSI |
| 12 | 0780103001 | Motor adaptor | 1 | 75HP/115PSI |
| | 0830103101 | | 1 | 75HP/150PSI |
| 13 | 01306 18070 00 | Bolt | 8 | M18X70 |
| 14 | 01365 18000 00 | Washer | 8 | 18 |
| 15 | 01322 18000 00 | Nut | 8 | M18 |

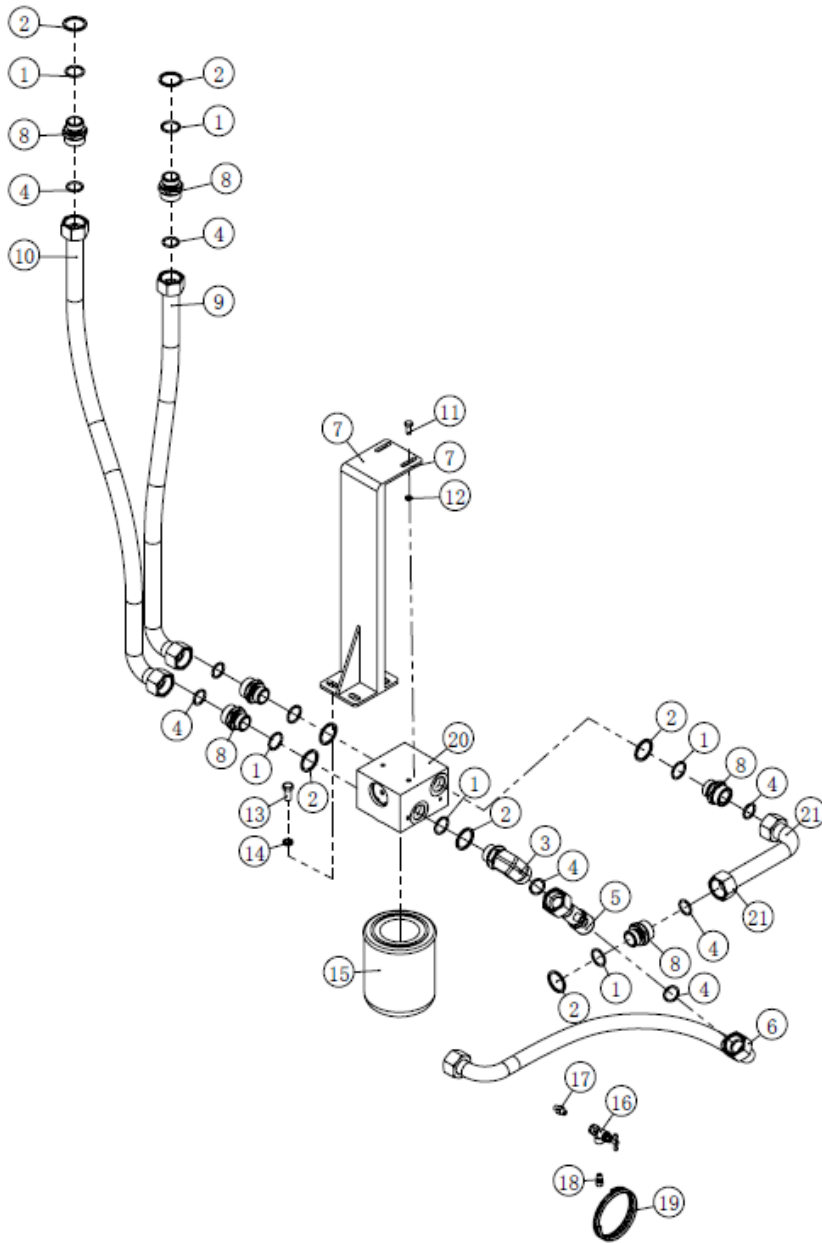
Air Cooler



Air Cooler

| NO. | PN | DESCRIPTION | QTY | REMARK |
|-----|----------------|--------------------|-----|--------------------------|
| 1 | 90433 05002 60 | Air discharge pipe | 1 | |
| 2 | 01307 10025 00 | Bolt | 1 | M10×25 |
| 3 | 01365 10000 00 | Washer | 1 | 10 |
| 4 | 01322 10000 00 | Nut | 1 | M10 |
| 5 | 07205 75065 00 | Net cover | 1 | |
| 6 | 01365 12000 00 | Washer | 1 | 12 |
| 7 | 01307 12030 00 | Bolt | 1 | M12×30 |
| 8 | 01307 14040 00 | Bolt | 4 | M14×40 |
| 9 | 01365 14000 00 | Washer | 4 | 14 |
| 10 | 01322 14000 00 | Nut | 4 | M14 |
| 11 | 01322 12000 00 | Nut | 5 | M12 |
| 12 | 01365 36000 00 | Washer | 8 | 36 |
| 13 | 01307 12025 00 | Bolt | 8 | M12×25 |
| 14 | 90433 05010 20 | After cooler | 1 | |
| 15 | 90433 05010 10 | Oil cooler | 1 | |
| 16 | 66001 46651 25 | Motor(1.1kW) | 1 | 460V/Fixed speed/VSD/IE3 |
| | 66001 36651 25 | Motor(1.1kW) | 1 | 230V/460V/IE3 |
| | 66001 58651 25 | Motor(1.1kW) | 1 | 575V/IE3 |
| 17 | 07204 75028 01 | Impeller | 1 | |

Fluid Piping

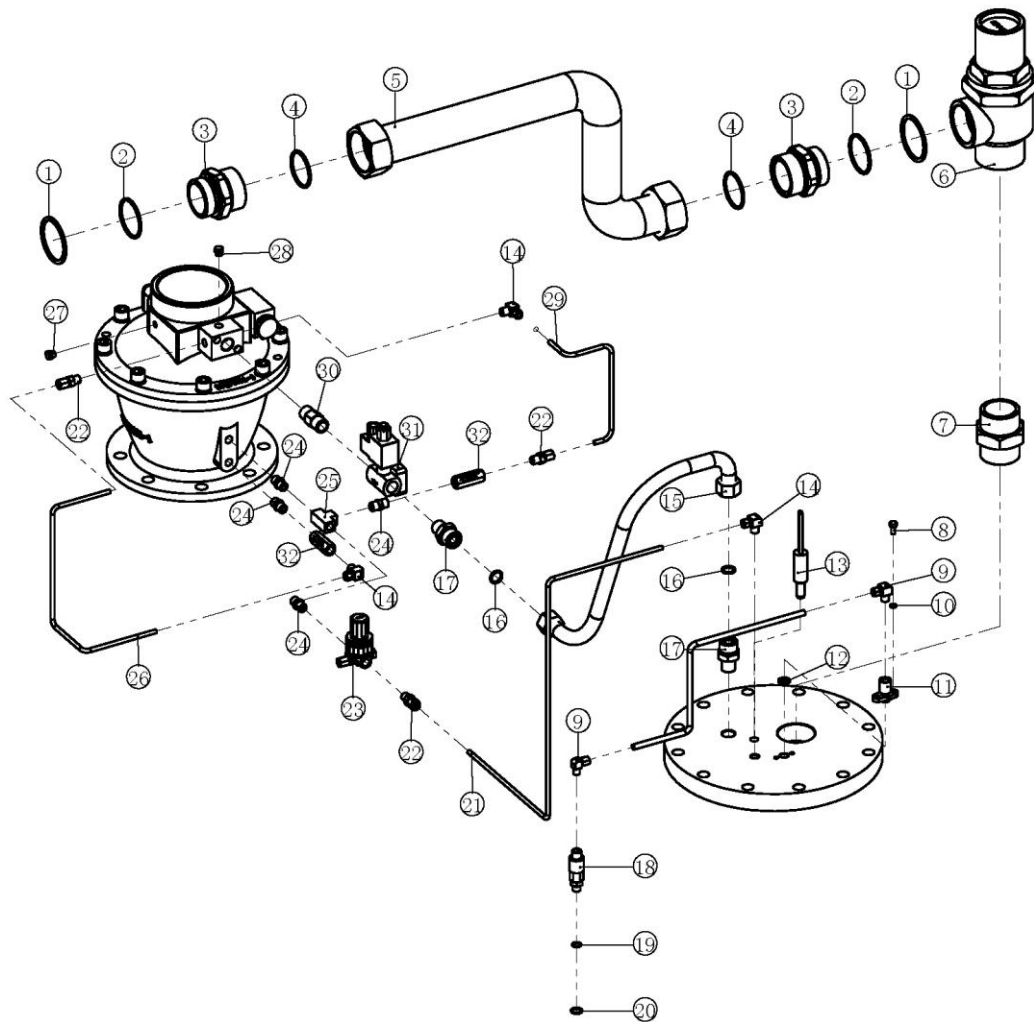


Fluid Piping

| NO. | PN | DESCRIPTION | QTY | REMARK |
|------|----------------|-------------------------|-----|--|
| 1 | 02901 03000 30 | O ring | 7 | 30X3.55 |
| 2 | 02201 00025 00 | Screw washer | 7 | |
| 3 | 18449 06006 00 | Joint | 1 | |
| 4 | 02901 02580 30 | O ring | 8 | 25.8X3.55 |
| 5 | 90433 06006 60 | Rigid pipe | 1 | |
| 6 | 90433 06007 07 | Rubber hose | 1 | |
| 7 | 18333 06004 00 | Fixing plate | 1 | |
| 8 | 13315 07003 09 | Joint | 6 | |
| 9 | 90443 06002 60 | Oil pipe(inlet cooler) | 1 | FS |
| | 90244 06002 60 | Oil pipe(inlet cooler) | 1 | VSD |
| 10 | 90443 06003 60 | Oil pipe(outlet cooler) | 1 | FS |
| | 90244 06003 60 | Oil pipe(outlet cooler) | 1 | VSD |
| 11 | 01307 08020 00 | Bolt | 2 | M8×20 |
| 12 | 01365 08000 00 | Washer | 2 | 8 |
| 13 | 01307 12025 00 | Bolt | 4 | M12×25 |
| 14 | 01365 12000 00 | Washer | 4 | 12 |
| 15 | 07709 13517 70 | Oil filter | 1 | |
| 16 | 01613 00600 99 | Sample valve | 1 | |
| 17 | 98018 07011 06 | Joint | 1 | |
| 18 | 01511 06100 00 | Joint | 1 | |
| 19 | 02917 06040 00 | Nylon pipe | 1 | |
| 20 | 01611 02583 07 | Thermal valve | 1 | |
| 20A* | 04004 00021 00 | Thermal valve kit** | 1 | Spring, Valve element, Sleeve, O-ring |
| 21 | 90433 06001 01 | Oil pipe | 1 | Inlet thermal valve |

*Items not shown on the drawing.

Air Piping(FS)



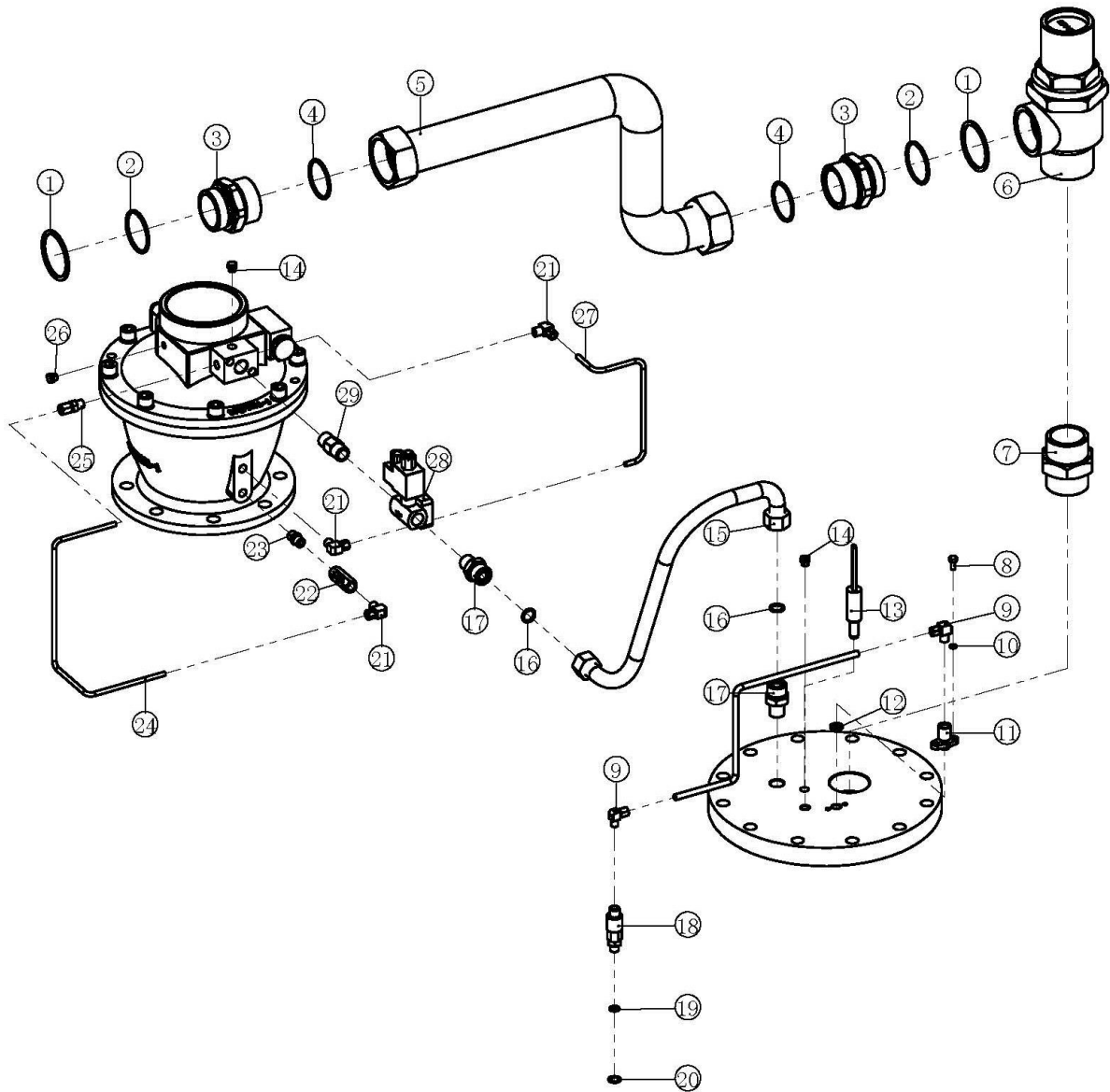
Air Piping(FS)

(FS)

| NO. | PN | DESCRIPTION | QTY | REMARK |
|-----|----------------|---------------------------|-----|---|
| 1 | 02201 00040 00 | Threaded washer | 2 | |
| 2 | 02901 04500 30 | O-ring | 2 | 45X3.55 |
| 3 | 98055 06003 09 | Joint | 2 | |
| 4 | 02901 03870 30 | O-ring | 2 | 38.7X3.55 |
| 5 | 18333 07005 01 | Air pipe | 1 | |
| 6 | 01612 04001 00 | MPV | 1 | |
| 6A* | 04006 04001 00 | MPV kit | 1 | Check valve element, Spring A, O-ring A, Valve element, O-ring B, Spring B |
| 7 | 17361 06002 00 | Joint | 1 | |
| 8 | 01344 06025 00 | Bolt | 2 | M6X15 |
| 9 | 01513 06100 00 | Joint | 2 | |
| 10 | 01365 06000 00 | Spring washer | 2 | 6 |
| 11 | 21315 03003 01 | Oil return joint | 1 | |
| 12 | 01534 12000 00 | Bonded washer | 1 | 12 |
| 13 | 02810 10004 00 | Temperature sensor | 1 | |
| 14 | 01513 06130 00 | Joint | 3 | |
| 15 | 90433 07100 00 | Blowdown pipe | 1 | |
| 16 | 02901 01600 20 | O-ring | 2 | 16X2.65 |
| 17 | 13315 03006 00 | Joint | 2 | |
| 18 | 01610 01010 01 | Check valve | 1 | |
| 19 | 02901 00950 10 | O-ring | 1 | 9.5X1.8 |
| 20 | 02201 01215 00 | Screw washer | 1 | |
| 21 | 10333 07120 00 | Control pipe 8 | 1 | |
| 22 | 01512 06100 00 | Joint | 3 | |
| 23 | 01604 00005 00 | Direct proportional valve | 1 | |
| 24 | 98018 07011 00 | Joint | 4 | |
| 25 | 11476 07003 00 | Tee joint | 1 | |
| 26 | 18412 07140 00 | Control pipe | 1 | |
| 27 | 02103 00600 00 | Plug | 1 | |
| 28 | 02103 00800 00 | Plug | 1 | |
| 29 | 18412 07110 00 | Control pipe | 1 | |
| 30 | 18404 07110 00 | Joint | 1 | |
| 31 | 01603 22012 11 | Solenoid valve | 1 | |
| 32 | 01610 02000 03 | Check valve | 2 | |

*Items not shown on the drawing.

Air Piping(VSD)



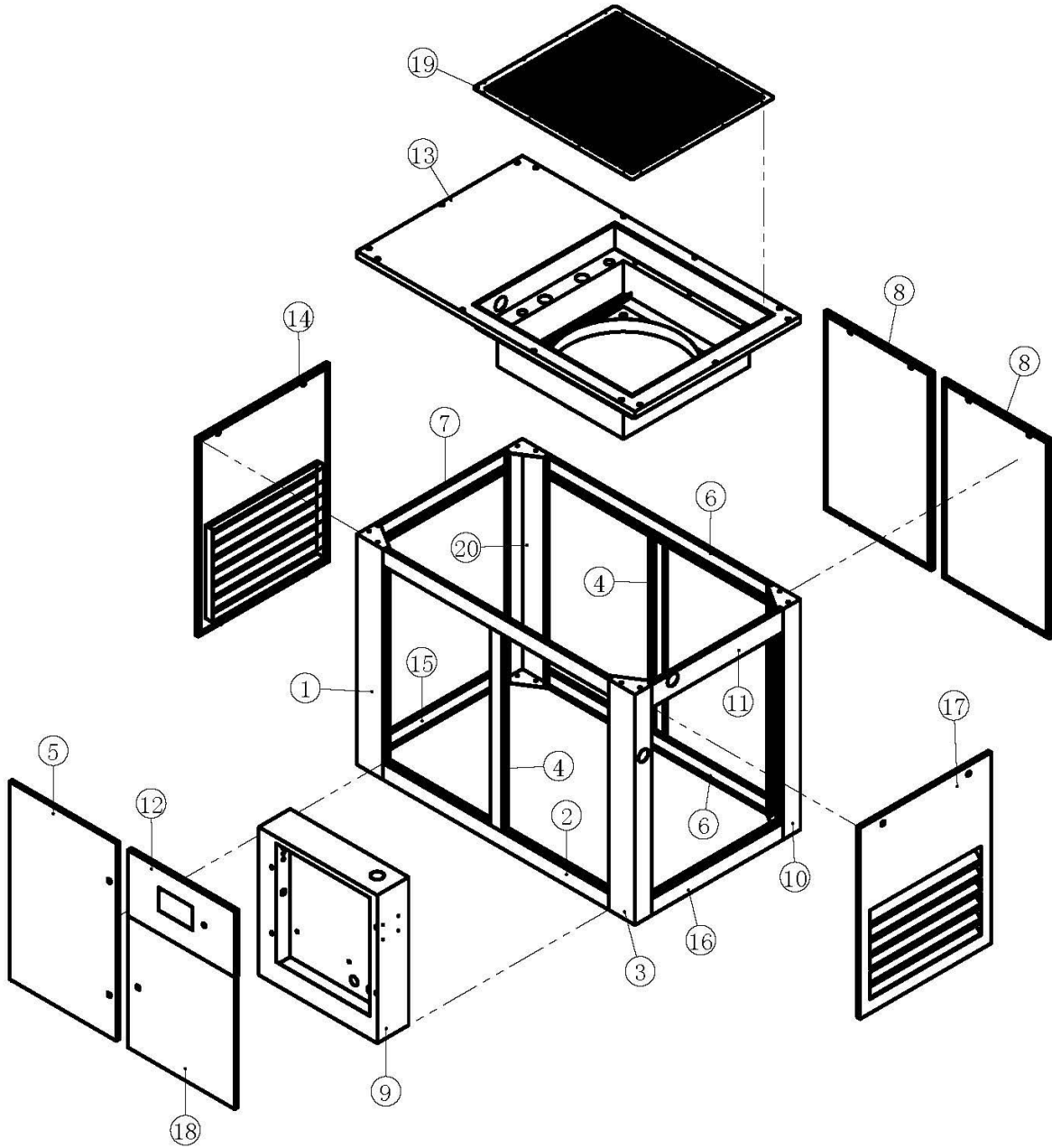
Air Piping(VSD)

(VSD)

| NO. | PN | DESCRIPTION | QTY | REMARK |
|-----|----------------|--------------------|-----|--|
| 1 | 02201 00040 00 | Screw washer | 2 | |
| 2 | 02901 04500 30 | O-ring | 2 | 45X3.55 |
| 3 | 98055 06003 09 | Joint | 2 | |
| 4 | 02901 03870 30 | O-ring | 2 | 38.7X3.55 |
| 5 | 18339 07005 00 | Air pipe | 1 | |
| 6 | 01612 04001 00 | MPV | 1 | |
| 6A* | 04006 04001 00 | MPV kit | 1 | Check valve element, Spring A, O-ring A, Valve element, O-ring B, Spring B |
| 7 | 17361 06002 00 | Joint | 1 | |
| 8 | 01344 06025 00 | Bolt | 2 | M6X25 |
| 9 | 01513 06100 00 | Joint | 2 | |
| 10 | 01365 06000 00 | Spring washer | 2 | 6 |
| 11 | 21315 03003 01 | Joint | 1 | |
| 12 | 01534 12000 00 | Bonded washer | 1 | 12 |
| 13 | 02810 10004 00 | Temperature sensor | 1 | |
| 14 | 02103 00800 00 | Plug | 2 | |
| 15 | 90433 07100 00 | Blowdown pipe | 1 | |
| 16 | 02901 01600 20 | O-ring | 2 | 16X2.65 |
| 17 | 13315 03006 00 | Joint | 2 | |
| 18 | 01610 01010 01 | Check valve | 1 | |
| 19 | 02901 00950 10 | O-ring | 1 | 9.5X1.8 |
| 20 | 02201 01215 00 | Screw washer | 1 | |
| 21 | 01513 06130 00 | Joint | 3 | |
| 22 | 01610 02000 03 | Check valve | 1 | |
| 23 | 98018 07011 00 | Joint | 4 | |
| 24 | 18412 07140 00 | Control pipe | 1 | |
| 25 | 01512 06100 00 | Joint | 1 | |
| 26 | 02103 00600 00 | Plug | 1 | |
| 27 | 18413 07110 00 | Control pipe | 1 | |
| 28 | 01603 22012 11 | Solenoid valve | 1 | |
| 29 | 18404 07110 00 | Joint | 1 | |

*Items not shown on the drawing.

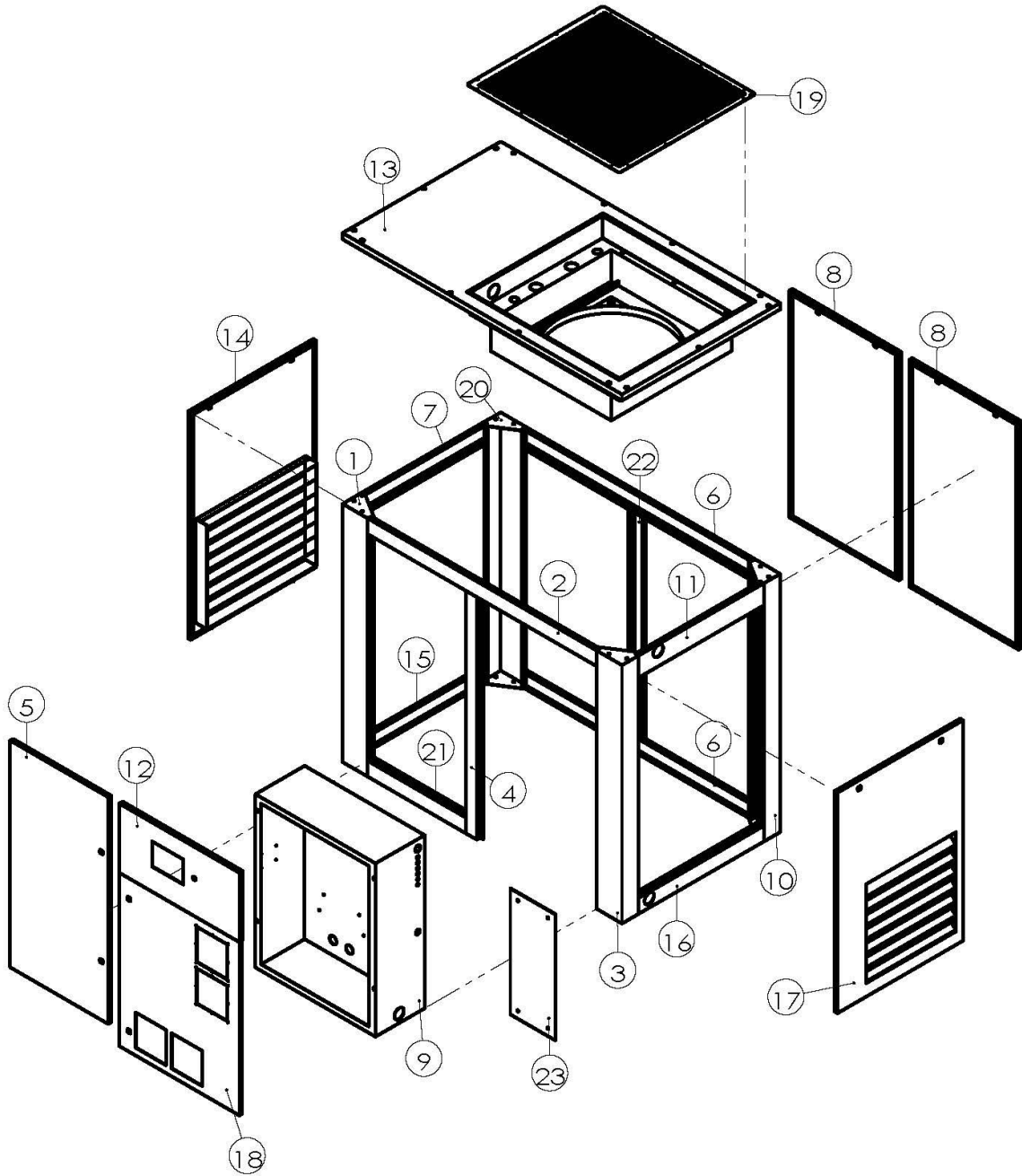
Cabinet(FS)



Cabinet(FS)

| NO. | PN | DESCRIPTION | QTY | REMARK |
|-----|----------------|------------------|-----|--------|
| 1 | 18333 08001 00 | Support | 1 | |
| 2 | 18333 08002 00 | Beam | 2 | |
| 3 | 18333 08003 00 | Support | 1 | |
| 4 | 18333 08004 00 | Support | 2 | |
| 5 | 18333 08005 00 | Door | 1 | |
| 6 | 18333 08006 00 | Beam | 2 | |
| 7 | 18339 08007 00 | Beam | 1 | |
| 8 | 18333 08008 00 | Door | 2 | |
| 9 | 18333 08009 00 | Electric cabinet | 1 | |
| 10 | 18333 08100 00 | Support | 1 | |
| 11 | 18333 08110 00 | Beam | 1 | |
| 12 | 18333 08120 00 | Control panel | 1 | |
| 13 | 18333 08130 00 | Top cover | 1 | |
| 14 | 18333 08140 00 | Door | 1 | |
| 15 | 18333 08150 00 | Beam | 1 | |
| 16 | 18333 08160 00 | Beam | 1 | |
| 17 | 18333 08170 00 | Door | 1 | |
| 18 | 18333 08180 00 | Door | 1 | |
| 19 | 18333 08190 00 | Cover | 1 | |
| 20 | 18333 08200 00 | Support | 1 | |

Cabinet(VSD)



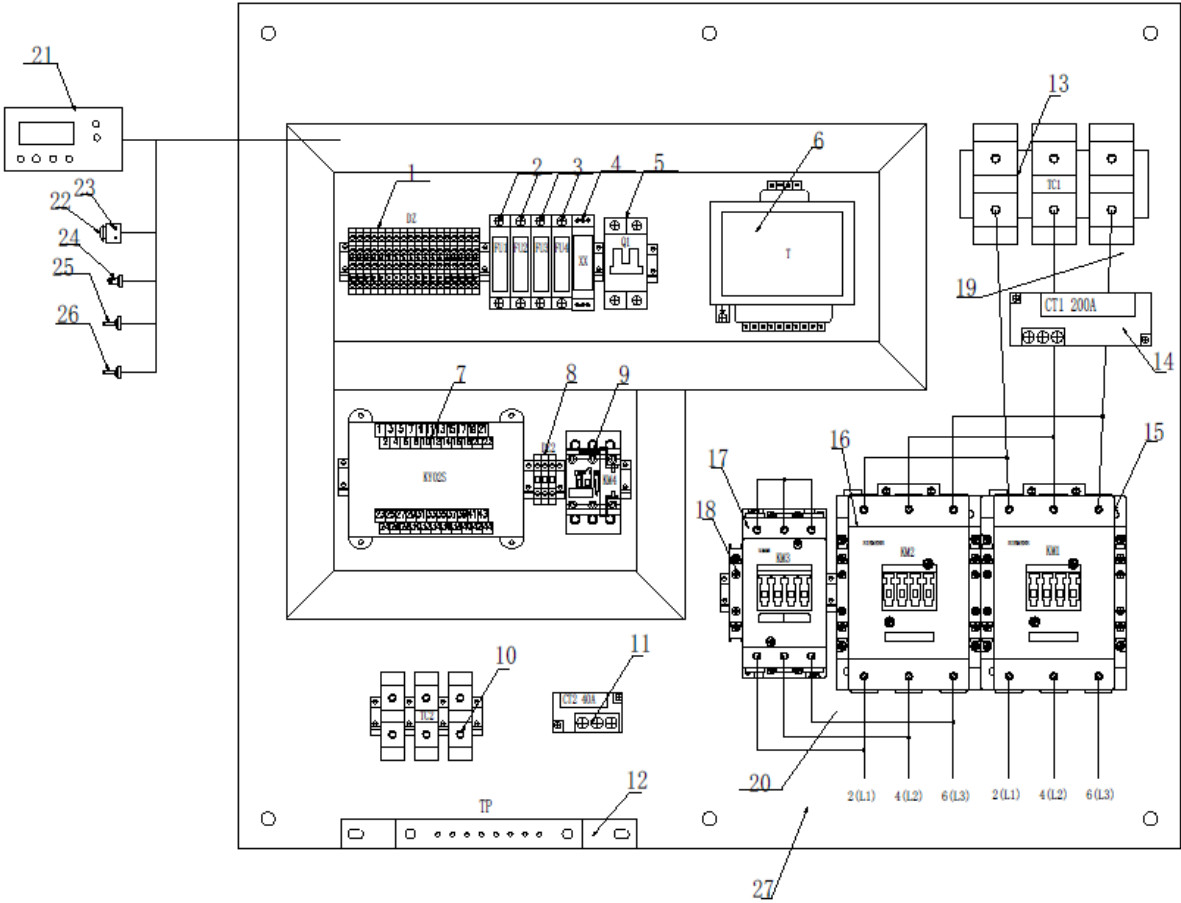
Cabinet(VSD)

(VSD)

| NO. | PN | DESCRIPTION | QTY | REMARK |
|-----|----------------|---------------------------------------|-----|---------|
| 1 | 18339 08001 00 | Support | 1 | |
| 2 | 18339 08002 00 | Beam | 1 | |
| 3 | 18339 08003 00 | Support | 1 | |
| 4 | 18339 08004 00 | Support | 1 | |
| 5 | 18339 08005 00 | Door | 1 | |
| 6 | 18339 08006 00 | Beam | 2 | |
| 7 | 18339 08007 00 | Beam | 1 | |
| 8 | 18339 08008 00 | Door | 2 | |
| 9 | 18339 08009 00 | Electric cabinet | 1 | |
| 10 | 18339 08100 00 | Support | 1 | |
| 11 | 18333 08110 00 | Beam | 1 | |
| 12 | 18339 08120 00 | Control panel | 1 | MAM6090 |
| 13 | 18339 08130 00 | Top cover | 1 | |
| 14 | 18339 08140 00 | Door | 1 | |
| 15 | 18333 08150 00 | Beam | 1 | |
| 16 | 18339 08160 00 | Beam | 1 | |
| 17 | 18339 08170 00 | Door | 1 | |
| 18 | 18339 08180 00 | Door | 1 | |
| 19 | 18333 08190 00 | Cover | 1 | |
| 20 | 18339 08210 00 | Support | 1 | |
| 21 | 18339 08210 00 | Beam | 1 | |
| 22 | 18339 08220 00 | Support | 1 | |
| 23 | 19339 09001 00 | Electric mounting plate | 1 | |
| | 07706 98052 00 | Electrical cabinet inlet filter frame | 2 | |
| | 160004-001 | Filter element | | |
| | 07211 22081 40 | Electrical cabinet fan | 2 | |

Electrical Enclosure(FS)

(60HP)



Electrical Enclosure(FS)

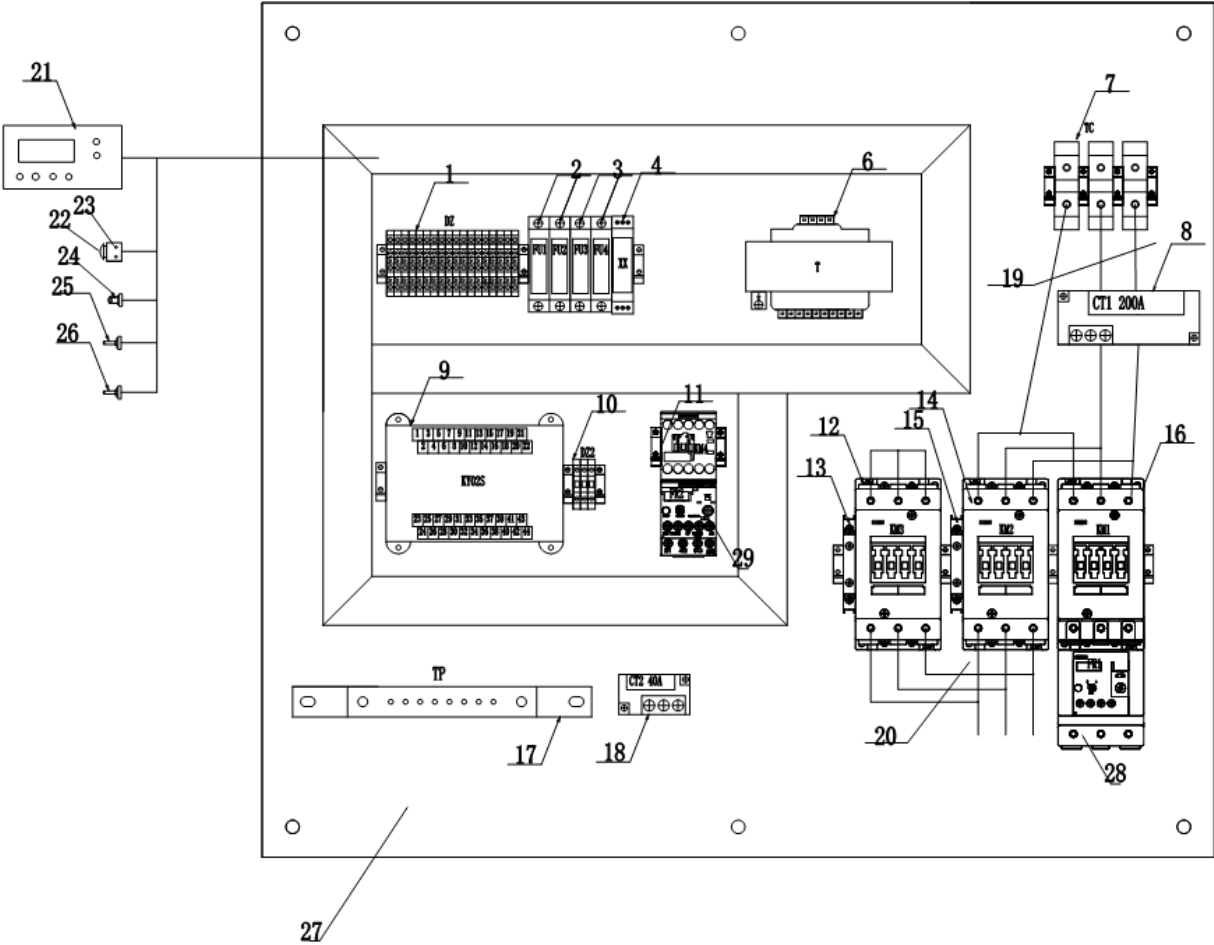
(60HP)

| NO. | PN | DESCRIPTION | QTY | REMARK |
|-----|----------------|---------------------------|------|---------|
| 1 | 08703 00004 00 | Terminal block | 18 | DZ |
| 2 | 02820 00001 00 | Fuse block | 2 | FU1-FU2 |
| 3 | 02820 00001 00 | Fuse block | 2 | FU3-FU4 |
| 4 | 02814 00080 00 | Phase protector | 1 | XX |
| 5 | 02819 06526 00 | Miniature circuit breaker | 1 | Q1 |
| 6 | 02818 05001 50 | Transformer | 1 | T |
| 7 | 02811 00220 55 | Controller | 1 | PLC |
| 8 | 02822 00250 00 | Terminal block | 3 | DZ2 |
| 9 | 02825 60038 00 | Fan motor contactor | 1 | KM4 |
| 10 | 08703 00050 00 | Terminal block | 3 | TC2 |
| 11 | 02829 42524 50 | Grounding copper bar | 1 | JDTP |
| 12 | 02824 20040 00 | Fan motor transformer | 1 | CT2 |
| 13 | 08703 00240 00 | Terminal block | 3 | TC1 |
| 14 | 02824 00200 00 | Motor transformer | 1 | CT1 |
| 15 | 02825 60150 01 | AC contactor | 1 | KM1 |
| 16 | 02825 60150 01 | AC contactor | 1 | KM2 |
| 17 | 02825 60095 01 | AC contactor | 1 | KM3 |
| 18 | 08705 35921 11 | Auxiliary contact | 1 | FZ |
| 19 | 08704 01050 00 | Cable | 0.9M | BVR |
| 20 | 08704 02035 00 | Cable | 2.0M | BVR |
| 21 | 02815 00202 02 | Monitor | 1 | XSQ |
| 22 | 02827 04844 00 | Emergency button | 1 | JT |
| 23 | 02827 04104 00 | Emergency button support | 1 | JT |
| 24 | 02810 01082 00 | Pressure sensor | 1 | DP |
| 25 | 02810 04001 07 | Temperature sensor | 1 | DT |
| 26 | 02810 04001 07 | Temperature sensor | 1 | ST |
| 27 | | Electric control board | 1 | DKB |
| *28 | 02821 10006 00 | Fuse | 2 | FU1-FU2 |
| *29 | 02821 10004 00 | Fuse | 2 | FU3-FU4 |

Note: * Items are not shown on the drawing.

Electrical Enclosure(FS)

(60HP/575V)



Electrical Enclosure(FS)

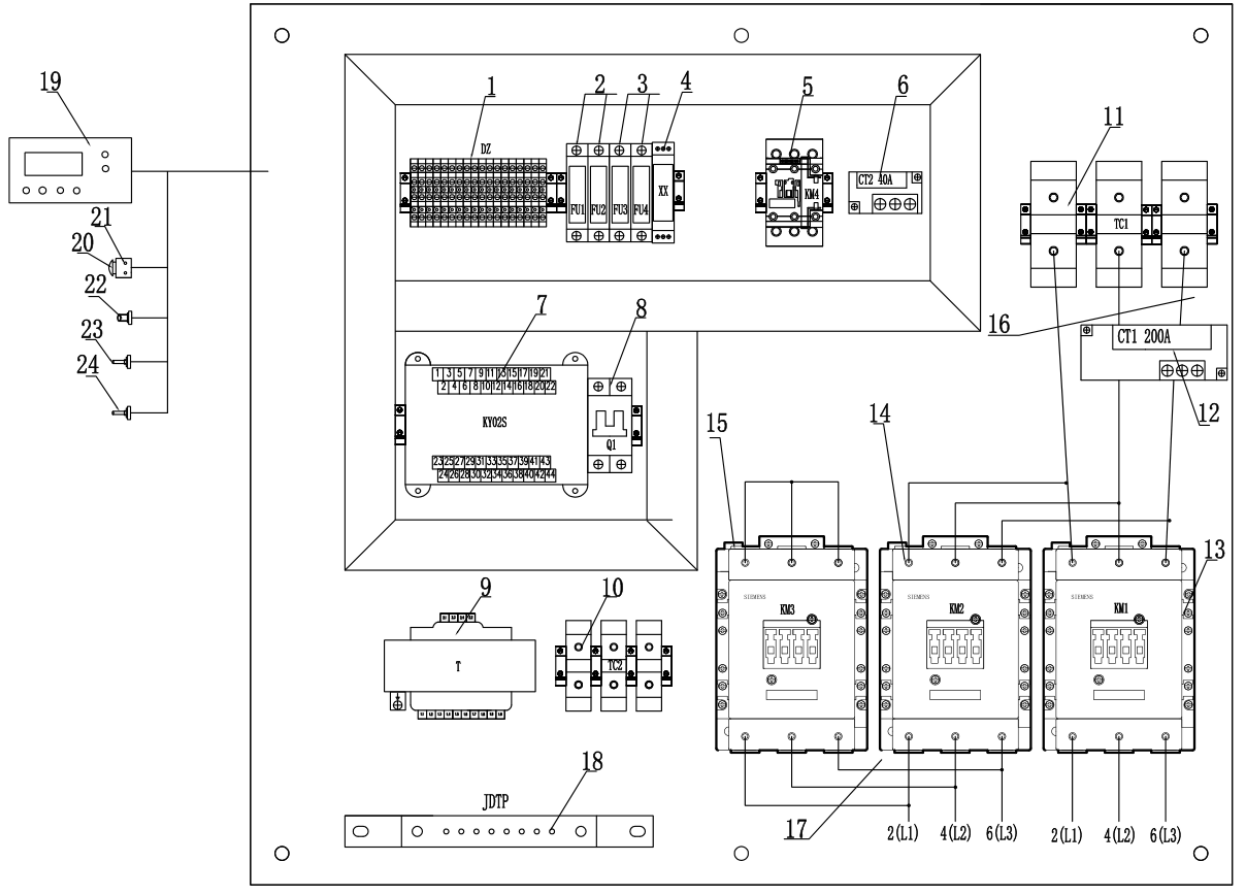
(60HP/575V)

| NO. | PN | DESCRIPTION | QTY | REMARK |
|-----|----------------|--------------------------------|------|---------|
| 1 | 08703 00004 00 | Terminal block | 18 | DZ |
| 2 | 02820 00001 00 | Fuse block | 2 | FU1-FU2 |
| 3 | 02820 00001 00 | Fuse block | 2 | FU3-FU4 |
| 4 | 02814 05169 00 | Phase sequence protector | 1 | XX |
| 6 | 02818 03150 10 | Transformer | 1 | T |
| 7 | 09703 00050 00 | Terminal | 3 | TC1 |
| 8 | 02824 00200 00 | Main motor current transformer | 1 | CT1 |
| 9 | 02811 00220 55 | Controller | 1 | PLC |
| 10 | 02822 00250 00 | Terminal | 3 | DZ2 |
| 11 | 02825 60038 00 | Fan motor contactor | 1 | KM4 |
| 12 | 02825 60065 01 | AC contactor | 1 | KM3 |
| 13 | 08705 35921 11 | Auxiliary contact | 1 | FZ |
| 14 | 02825 60080 01 | AC contactor | 1 | KM2 |
| 15 | 08705 35921 11 | Auxiliary contact | 1 | FZ |
| 16 | 02825 60080 01 | AC contactor | 1 | KM1 |
| 17 | 02829 42524 50 | Grounding copper bar | 1 | JDTP |
| 18 | 02824 20040 00 | Fan motor current transformer | 1 | CT2 |
| 19 | 08704 04025 00 | Cable | 0.9m | BVR |
| 20 | 08704 06016 00 | Cable | 1.2m | BVR |
| 21 | 02815 00202 02 | Display | 1 | XSQ |
| 22 | 02827 04844 00 | Emergency stop button | 1 | JT |
| 23 | 02827 04104 00 | Emergency stop button seat | 1 | JT |
| 24 | 02810 01082 00 | Pressure sensor | 1 | DP |
| 25 | 02810 04001 07 | Temperature sensor | 1 | DT |
| 26 | 02810 04001 07 | Temperature sensor | 1 | ST |
| 27 | | Electrical control board | 1 | DKB |
| 28 | 02814 35146 44 | Thermal relay | 1 | FR1 |
| 29 | 02814 36116 13 | Thermal relay | 1 | FR2 |
| *30 | 02821 10004 00 | Fuse | 2 | FU1-FU2 |
| *31 | 02821 10002 00 | Fuse | 2 | FU3-FU4 |

Note: * Items are not shown on the drawing

Electrical Enclosure(FS)

(75HP)



Electrical Enclosure(FS)

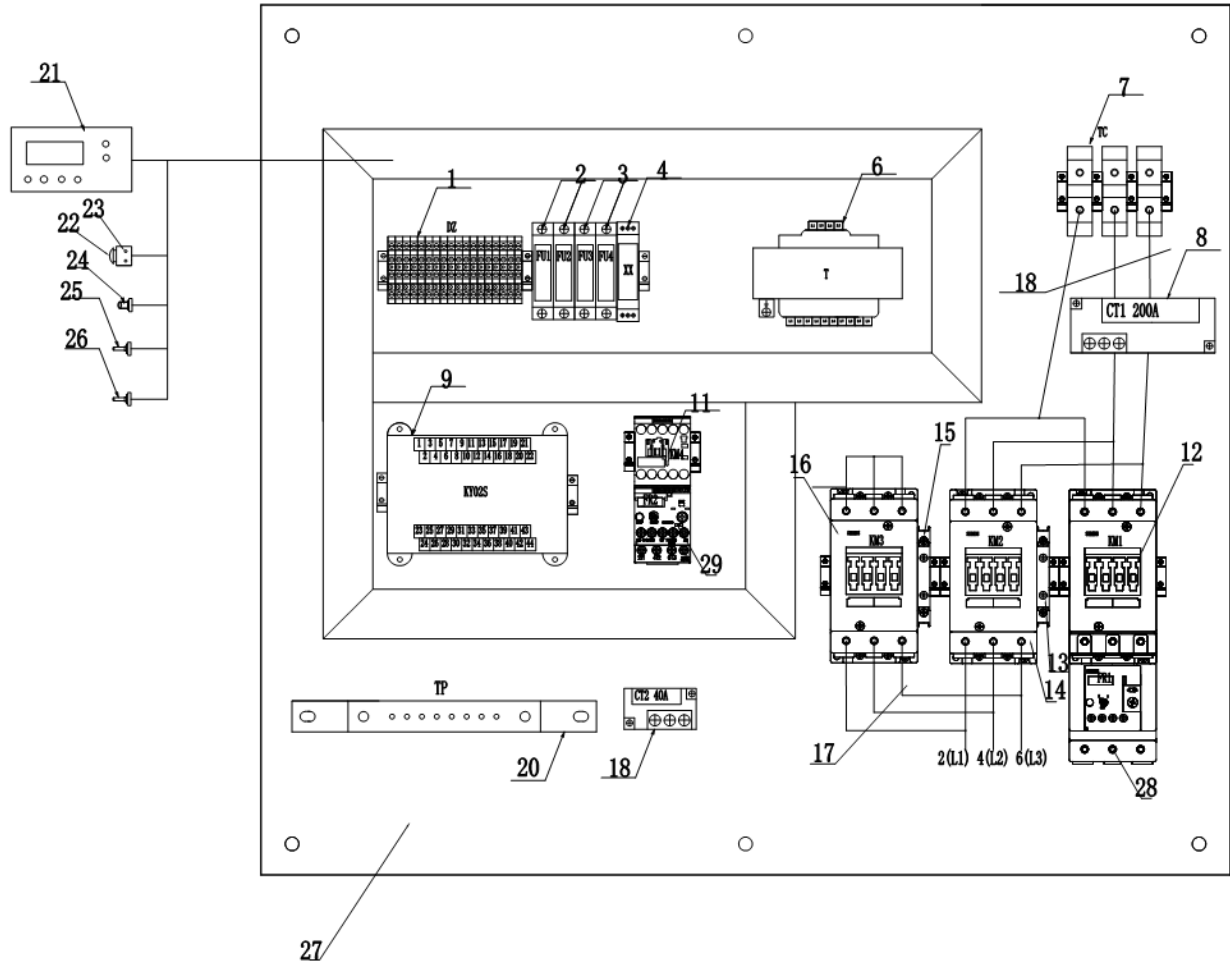
(75HP)

| NO. | PN | DESCRIPTION | QTY | REMARK |
|-----|----------------|---------------------------|------|---------|
| 1 | 08703 00004 00 | Terminal block | 18 | DZ |
| 2 | 02820 00001 00 | Fuse block | 2 | FU1-FU2 |
| 3 | 02820 00001 00 | Fuse block | 2 | FU3-FU4 |
| 4 | 02814 00080 00 | Phase protector | 1 | XX |
| 5 | 02825 60038 00 | Fan motor contactor | 1 | KM4 |
| 6 | 02824 20040 00 | Fan motor transformer | 1 | CT2 |
| 7 | 02811 00220 55 | Controller | 1 | PLC |
| 8 | 02819 06526 00 | Miniature circuit breaker | 1 | Q1 |
| 9 | 02818 05001 50 | Transformer | 1 | T |
| 10 | 08703 00050 00 | Terminal block | 3 | TC2 |
| 11 | 08703 00240 00 | Terminal block | 3 | TC1 |
| 12 | 02824 00200 00 | Motor transformer | 1 | CT1 |
| 13 | 02825 60170 01 | AC contactor | 1 | KM1 |
| 14 | 02825 60170 01 | AC contactor | 1 | KM2 |
| 15 | 02825 60150 01 | AC contactor | 1 | KM3 |
| 16 | 08704 02070 00 | Cable | 1.5M | BVR |
| 17 | 08704 01050 00 | Cable | 2.0M | BVR |
| 18 | 02829 42524 50 | Grounding copper bar | 1 | JDTP |
| 19 | 02815 00202 02 | Monitor | 1 | XSQ |
| 20 | 02827 04844 00 | Emergency button | 1 | JT |
| 21 | 02827 04104 00 | Emergency button support | 1 | JT |
| 22 | 02810 01082 00 | Pressure sensor | 1 | DP |
| 23 | 02810 04001 07 | Temperature sensor | 1 | DT |
| 24 | 02810 04001 07 | Temperature sensor | 1 | ST |
| *25 | 02821 10006 00 | Fuse | 2 | FU1-FU2 |
| *26 | 02821 10004 00 | Fuse | 2 | FU3-FU4 |

Note: * Items are not shown on the drawing.

Electrical Enclosure(FS)

(75HP/575V)



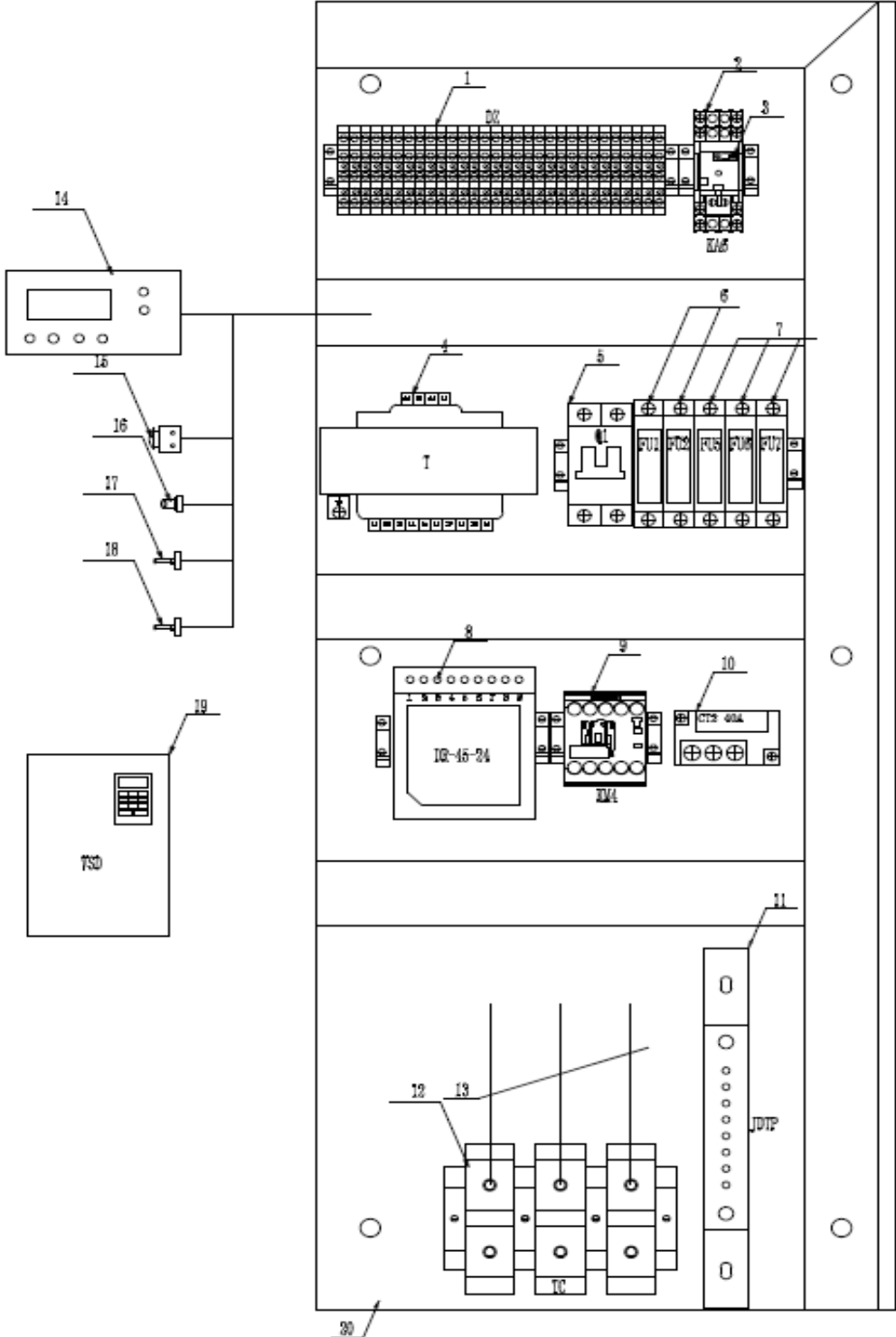
Electrical Enclosure(FS)

(75HP/575V)

| NO. | PN | DESCRIPTION | QTY | REMARK |
|-----|----------------|--------------------------------|------|---------|
| 1 | 08703 00004 00 | Terminal block | 18 | DZ |
| 2 | 02820 00001 00 | Fuse block | 2 | FU1-FU2 |
| 3 | 02820 00001 00 | Fuse block | 2 | FU3-FU4 |
| 4 | 02814 05169 00 | Phase sequence protector | 1 | XX |
| 6 | 02818 03150 10 | Transformer | 1 | T |
| 7 | 08703 00050 00 | Terminal | 3 | TC1 |
| 8 | 02824 00200 00 | Main motor current transformer | 1 | CT1 |
| 9 | 02811 00220 55 | Controller | 1 | PLC |
| 11 | 02825 60038 00 | Fan motor contactor | 1 | KM4 |
| 12 | 02825 60095 01 | AC contactor | 1 | KM1 |
| 13 | 08705 35921 11 | Auxiliary contact | 1 | FZ |
| 14 | 02825 60095 01 | AC contactor | 1 | KM2 |
| 15 | 08705 35921 11 | Auxiliary contact | 1 | FZ |
| 16 | 02825 60065 01 | AC contactor | 1 | KM3 |
| 17 | 08704 02035 00 | Cable | 1.5m | BVR |
| 18 | 08704 04025 00 | Cable | 2.0m | BVR |
| 19 | 02824 20040 00 | Fan motor current transformer | 1 | CT2 |
| 20 | 02829 42524 50 | Grounding copper bar | 1 | JDTP |
| 21 | 02815 00202 02 | Display | 1 | XSQ |
| 22 | 02827 04844 00 | Emergency stop button | 1 | JT |
| 23 | 02827 04104 00 | Emergency stop button seat | 1 | JT |
| 24 | 02810 01082 00 | Pressure sensor | 1 | DP |
| 25 | 02810 04001 07 | Temperature sensor | 1 | DT |
| 26 | 02810 04001 07 | Temperature sensor | 1 | ST |
| 27 | | Electrical control board | 1 | DKB |
| 28 | 02814 35146 45 | Thermal relay | 1 | FR1 |
| 29 | 02814 36116 13 | Thermal relay | 1 | FR2 |
| *30 | 02821 10004 00 | Fuse | 2 | FU1-FU2 |
| *31 | 02821 10002 00 | Fuse | 2 | FU3-FU4 |

Note: * Items are not shown on the drawing

Electrical Enclosure(VSD)



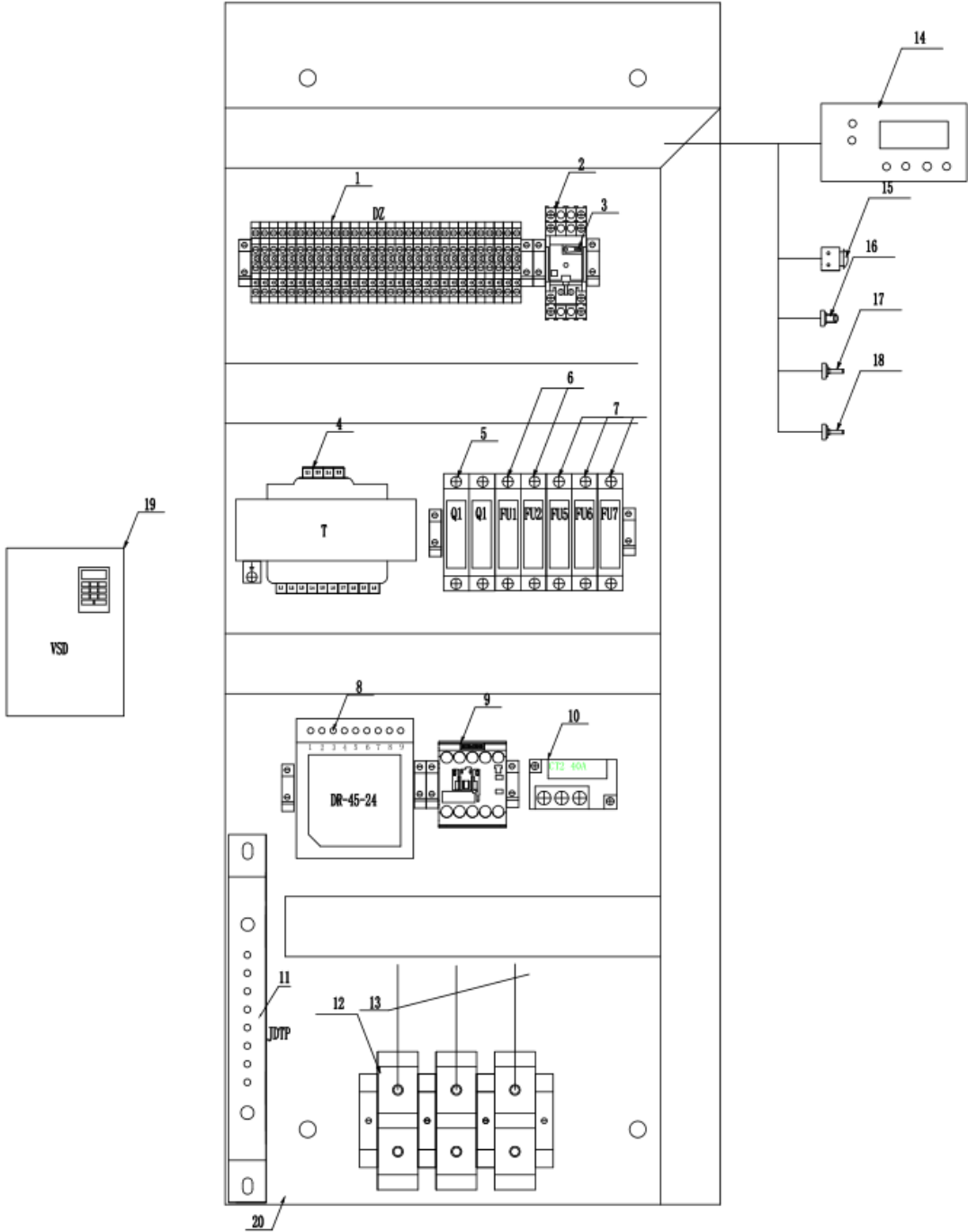
Electrical Enclosure(VSD)

| NO. | PN | DESCRIPTION | QTY | REMARK |
|-----|----------------|-------------------------------|------|----------|
| 1 | 08703 00004 00 | Terminal block | 30 | DZ |
| 2 | 02814 00002 00 | Intermediate relay seat | 1 | KA6 |
| 3 | 02814 01102 00 | Intermediate relay | 1 | KA6 |
| 4 | 02818 03150 10 | Transformer | 1 | T |
| 5 | 02819 06526 00 | Breaker | 1 | Q1 |
| 6 | 02820 00001 00 | Fuse block | 2 | FU1-FU2 |
| 7 | 02820 00001 00 | Fuse block | 3 | FU5-FU7 |
| 8 | 02808 04524 00 | Power switch | 1 | DR |
| 9 | 02825 60038 00 | Fan motor contactor | 1 | KM4 |
| 10 | 02824 20040 00 | Fan motor current transformer | 1 | CT2 |
| 11 | 02829 42524 50 | Grounding copper bar | 1 | JDTP |
| 12 | 08703 00050 00 | Terminal block | 3 | TC |
| 13 | 08704 02035 00 | Cable | 2.1M | BVR |
| 14 | 02811 15152 47 | Monitor | 1 | XSQ |
| 15 | 02827 04844 00 | Emergency button | 1 | JT |
| | 02827 04104 00 | Emergency button support | 1 | |
| 16 | 02810 01082 00 | Pressure sensor | 1 | DP |
| 17 | 02810 04001 07 | Temperature sensor | 1 | DT |
| 18 | 02810 04001 07 | Temperature sensor | 1 | ST |
| 19 | 02828 04103 00 | Inverter | 1 | VSD/60HP |
| | 02828 04140 00 | Inverter | 1 | VSD/75HP |
| 20 | 18423 09008 02 | Electrical control board | 1 | DKB |
| *21 | 02821 10006 00 | Fuse | 2 | FU1-FU2 |
| *22 | 02821 10002 00 | Fuse | 3 | FU5-FU7 |

Note: * Items are not shown on the drawing.

Electrical Enclosure(VSD)

(60HP/575V)



Electrical Enclosure(VSD)

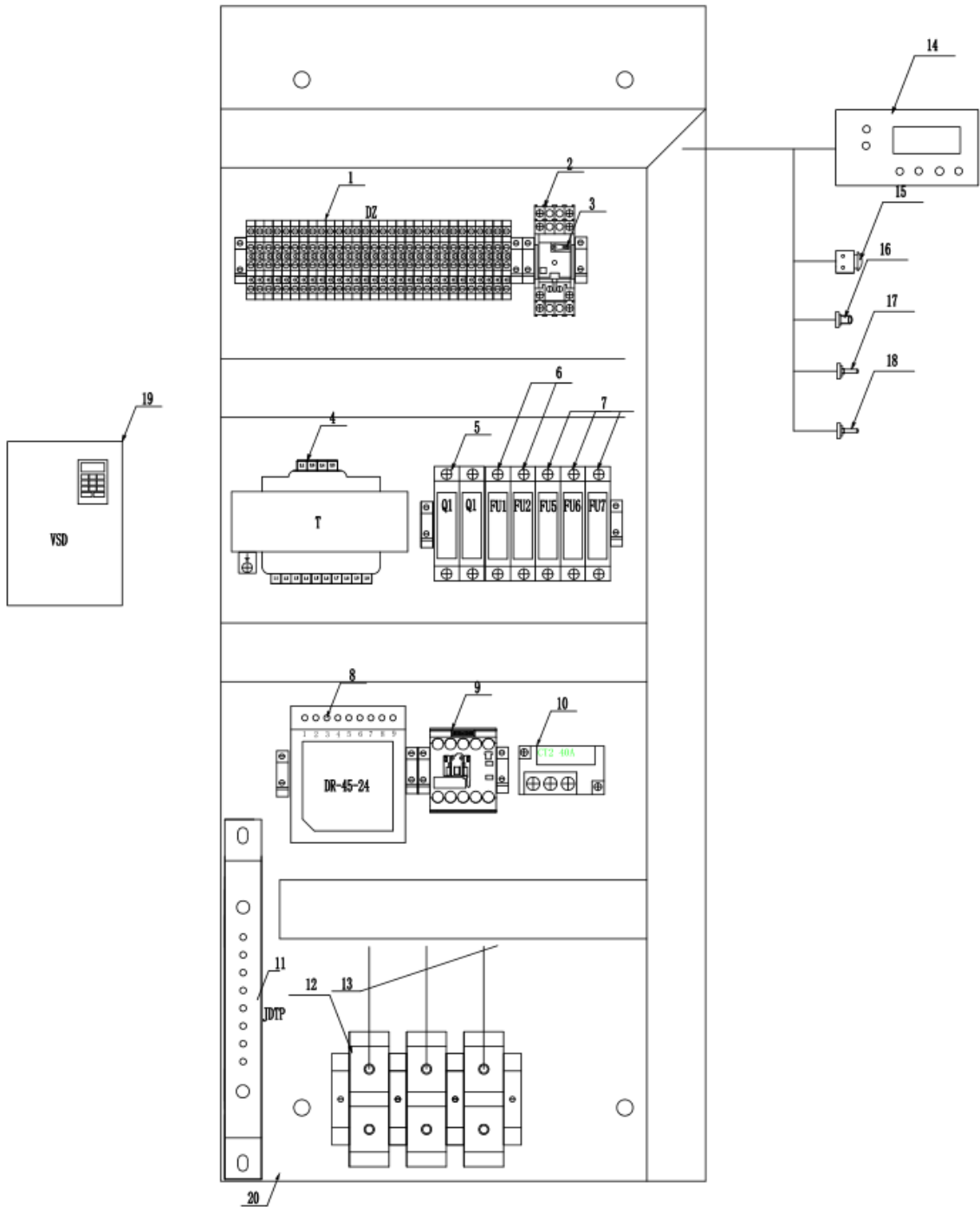
(60HP/575V)

| NO. | PN | DESCRIPTION | QTY | REMARK |
|-----|----------------|-------------------------------|------|---------|
| 1 | 08703 00004 00 | Terminal block | 31 | DZ |
| 2 | 02814 00002 00 | Intermediate relay seat | 1 | KA6 |
| 3 | 02814 01102 00 | Intermediate relay | 1 | KA6 |
| 4 | 02818 03150 10 | Transformer | 1 | T |
| 5 | 02820 00001 00 | Fuse block | 2 | Q1 |
| 6 | 02820 00001 00 | Fuse block | 2 | FU1-FU2 |
| 7 | 02820 00001 00 | Fuse block | 3 | FU5-FU7 |
| 8 | 02808 04524 00 | Switching power supply | 1 | DR |
| 9 | 02825 60038 00 | Fan motor contactor | 1 | KM4 |
| 10 | 02824 20040 00 | Fan motor current transformer | 1 | CT2 |
| 11 | 02824 00050 00 | Terminal | 3 | TC |
| 12 | 08704 04025 00 | Cable | 2.1m | BVR |
| 13 | 02829 42524 50 | Grounding copper bar | 1 | JDTP |
| 14 | 02811 15192 67 | Display | 1 | XSQ |
| 15 | 02827 04844 00 | Emergency stop button | 1 | JT |
| | 02827 04104 00 | Emergency stop button seat | 1 | JT |
| 16 | 02810 01082 00 | Pressure sensor | 1 | DP |
| 17 | 02810 04001 00 | Temperature sensor | 1 | DT |
| 18 | 02810 04001 00 | Temperature sensor | 1 | ST |
| 19 | 02828 35080 00 | Inverter | 1 | VSD |
| 20 | | Electrical control board | 1 | DKB |
| *21 | 02821 10006 00 | Fuse | 2 | FU1-FU2 |
| *22 | 02821 10002 00 | Fuse | 3 | FU5-FU7 |
| *23 | 02821 10006 00 | Fuse | 2 | Q1 |

Note: * Items are not shown on the drawing

Electrical Enclosure(VSD)

(75HP/575V)



Electrical Enclosure(VSD)

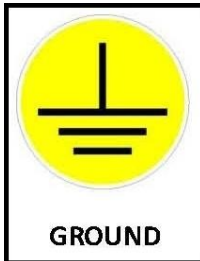
(75HP/575V)

| NO. | PN | DESCRIPTION | QTY | REMARK |
|-----|-----------------|-------------------------------|------|---------|
| 1 | 08703 00004 000 | Terminal block | 31 | DZ |
| 2 | 02814 00002 00 | Intermediate relay seat | 1 | KA6 |
| 3 | 02814 01102 00 | Intermediate relay | 1 | KA6 |
| 4 | 02818 03150 10 | Transformer | 1 | T |
| 5 | 02820 00001 00 | Fuse block | 2 | Q1 |
| 6 | 02820 00001 00 | Fuse block | 2 | FU1-FU2 |
| 7 | 02820 00001 00 | Fuse block | 3 | FU5-FU7 |
| 8 | 02808 04524 00 | Switching power supply | 1 | DR |
| 9 | 02825 60038 00 | Fan motor contactor | 1 | KM4 |
| 10 | 02824 20040 00 | Fan motor current transformer | 1 | CT2 |
| 11 | 02829 42524 50 | Grounding copper bar | 1 | JDTP |
| 12 | 08703 00050 00 | Terminal | 3 | TC |
| 13 | 08704 02305 00 | Cable | 2.1m | BVR |
| 14 | 02811 15192 67 | Display | 1 | XSQ |
| 15 | 02827 04844 00 | Emergency stop button | 1 | JT |
| | 02827 04104 00 | Emergency stop button seat | 1 | JT |
| 16 | 02810 01082 00 | Pressure sensor | 1 | DP |
| 17 | 02810 04001 00 | Temperature sensor | 1 | DT |
| 18 | 02810 04001 00 | Temperature sensor | 1 | ST |
| 19 | 02828 35100 00 | Inverter | 1 | VSD |
| 20 | | Electrical control board | 1 | DKB |
| *21 | 02821 10006 00 | Fuse | 2 | FU1-FU2 |
| *22 | 02821 10002 00 | Fuse | 3 | FU5-FU7 |
| *23 | 02821 10006 00 | Fuse | 2 | Q1 |

Note: * Items are not shown on the drawing

Decals

Decals information is shown as following.



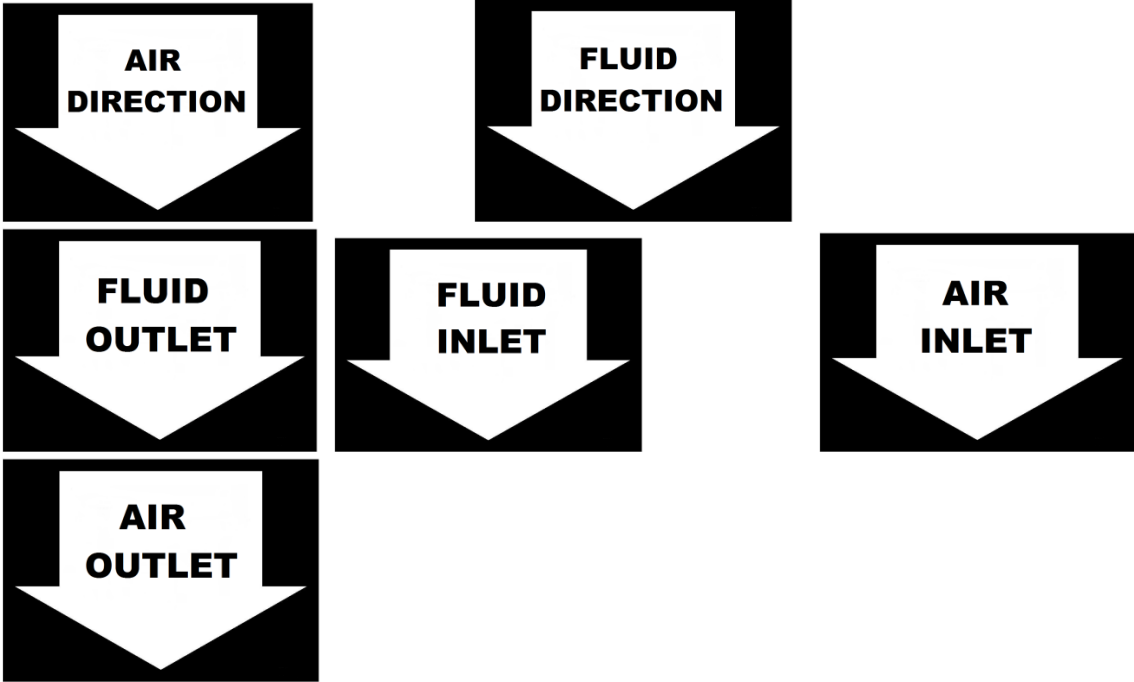
Decals



NOTE:

1. DECALS P/N : 142939

Decals



NOTE:

- 1. DECALS P/N : 142939

Standard Terms and Conditions

These terms and conditions govern the sale of Products (“Rotary Screw Air Compressors and parts”) and provisions of services by Kaishan Compressor, LLC., (Seller) and its authorized representative or buyer. These terms and conditions (“Agreement”) take precedence over Buyer’s supplemental or conflicting terms and conditions to which notice of objection is hereby given. Neither Seller’s commencement of performance or delivery shall be deemed or construed as acceptance of Buyer’s supplemental or conflicting terms and conditions. KCA’s failure to object to conflicting or additional terms will not change or add to the terms of this agreement. Buyer’s acceptance of the Products and/or Services from Seller shall be deemed to constitute acceptance of the terms and conditions contained herein.

Orders: All orders placed by Buyer are subject to acceptance by Seller. Orders may not be canceled or rescheduled without Seller’s written consent. All orders must identify the products, unit quantities, part numbers, applicable prices and requested delivery dates of the Products being purchased. Seller may at its sole discretion allocate Product among its Buyer. Seller may designate certain Products and Services as non-cancelable, non-returnable and the sale of such Products shall be subject to the special terms and conditions contained in Seller’s Customer Acknowledgement or Non-Returnable Product Form, which shall prevail and supersede any inconsistent terms and conditions contained herein or elsewhere.

Prices: The prices of the Products are those prices specified on the front of the invoice or contained within an agreed written contract. Price quotations shall automatically expire in thirty (30) days from the date issued, or as otherwise stated in the quotation.

Taxes: Unless otherwise agreed to in writing by Seller, all prices quoted are exclusive of transportation and insurance costs, duties, and all taxes including federal, state and local sales, excise and value added, goods and services taxes, and any other taxes. Buyer agrees to indemnify and hold Seller harmless for any liability for tax in connection with the sale, as well as the collection or withholding thereof, including penalties and interest thereon. When applicable, transportation and taxes shall appear as separate items on Seller’s invoice.

Payment: Payment may be made by check, money order, credit card, or wire transfer (all fees are borne by the Buyer). Where Seller has extended credit to Buyer, terms of payment shall be net thirty (30) days from date of invoice, without offset or deduction. On any past due invoice, Seller may impose a monthly interest rate. If Buyer fails to make the required payments the Seller will impose the interest rate each month. If Buyer fails to make each payment when it is due, Seller reserves the right to withdraw credit and thereby suspend or cancel performance under any or all purchase orders or agreements in which Seller has extended credit to Buyer. In the event of default by Buyer, Seller shall be entitled to costs, fees, and expenses including but not limited to recovery of attorney fees, court costs and fees, and collections costs.

Standard Terms and Conditions

Delivery and Title: The locations of shipment delivery will be made according to the Seller and Buyer agreement. Title and risk of loss pass to the Buyer upon delivery of the Product to the carrier. Seller's delivery dates are estimates only and Seller is not liable for delays in delivery or for failure to perform due to causes beyond the reasonable control of the Seller, nor shall the carrier be deemed an agent of the Seller. A delayed delivery of any part of an Order does not entitle Buyer to cancel other deliveries. KCA will comply with various federal, state and local laws and regulation concerning occupational health, safety and environment concerns. Buyer has full responsibility to comply with those laws and regulations during the installation and operation of the equipment.

Acceptance / Returns: Shipments will be deemed to have been accepted by Buyer upon delivery of the said shipments to Buyer unless rejected upon receipt. Buyer shall perform all inspections and tests. Buyer deems necessary as promptly as possible but in no event later than 7 days after receipt of Products, at which time Buyer will be deemed to have irrevocably accepted the Products. Any discrepancy in shipment quantity must be reported within 7 days after receipt of Products. Buyer may not return Products without a Return Material Authorization ("RMA") number. RMA's valid for 30 days from the date issued.

Standard Warranty: Buyer will honor Product warranties and indemnities authorized by the manufacturer, including any transferable. 90 days warranty is given for service parts from receipt date. Seller warrants to Buyer that Products purchased hereunder will conform to the applicable manufacturer's specifications for such products and that any value-added work performed by Seller on such Products will conform to applicable Buyer's specifications. If Seller breaches this warranty, Buyer's remedy is limited to (at Seller's election) (1) refund of Buyer's purchase price for such Product (without interest), (2) repair of such Products, or (3) replacement of such Products provided that such Products must be returned to Seller, along with acceptable evidence of purchase within 13 days from date of delivery, transportation charges prepaid. No warranty will apply if the Product has been subject to misuse, neglect, accident or modification.

Limitation of Liabilities: Buyer shall not be entitled to, and Seller shall not be liable for, loss of profit or revenue, promotional or manufacturing expenses, overheads expenses, business interruption cost, loss of data, removal or reinstallation costs, injury to reputation of buyer, punitive damages, loss of contractor orders or any indirect, special, incidental or consequential damages of any nature. Buyer's recovery from seller for any claim shall not exceed the purchase price paid for the affected products irrespective of the nature of the claim whether in contract, tort, warranty, or otherwise. Buyer will indemnify, defend and hold seller harmless from any claims based on (a) Seller's compliance with buyer's designs, specifications, or instructions, (b) Modification of any products by anyone other than Seller, or (c) use in combination with other products not supplied by seller.

Standard Terms and Conditions

Use of Products: Unless otherwise specified. Products sold by Seller are not designed, intended or authorized for use in life support, life sustaining, nuclear, or other applications in which the failure of such Products could reasonably be expected to result in personal injury, loss of life or catastrophic property damage. If buyer uses or sales the Products for use in any such applications: (1) Buyer acknowledges that such use or sale is at Buyer's sole risk; (2) Buyer agrees that Seller and the manufacturer of the Products are not liable, in whole or in part, for any claim or damage arising from such use; and (3) Buyer agrees to indemnify, defend and hold Seller and the manufacturer of the Products harmless from and against any and all claims, damages, losses, costs, expenses and liabilities arising out of or in connection with such use or sale.

Force Majeure: Seller is not liable for failure to fulfill its obligations for any accepted Order or for delays in delivery due to causes beyond Seller's reasonable control including, but not limited to, acts of God, natural or artificial disaster, riot, war, strike, delay by carrier, shortage of Product, acts or omissions of other parties, acts or omissions of civil or military authority, Government priorities, changes in law, material shortages, fire, strikes, floods, epidemics, quarantine restrictions, acts of terrorism, delays in transportation or inability to obtain labor, materials or products through its regular sources, which shall be considered as an event of force majeure excusing Seller from performance and barring remedies for non-performance. In an event of force majeure condition, the Seller's time for performance shall be extended for a period equal to the time lost as a consequence of the force majeure condition without subjecting Seller to any liability or penalty. Seller may, at its option, cancel the remaining performance, without any liability or penalty, by giving notice of such cancellation to the Buyer.

General: (a) Seller will comply with state law for any dispute from buyer. (b) Buyer may not assign this Agreement without the prior written consent of Seller. Seller or its affiliates may perform the obligations under this Agreement. This Agreement is binding on successor and assigns, (c) Products, including software or other intellectual property, are subject to any applicable rights of third parties, such as patents, copyrights and/or user licenses.

Appendix

(If your machine is standard, this page is blank.)

Contact Information

Kaishan Compressor, LLC.,
Add.: 15445 Industrial Park Dr. Loxley, AL , Post code: 36551
Office number: +1 251-202-0577
www.KaishanUSA.com