

Job Name/Location:

Tag #:

Date:

For: File Resubmit
 Approval Other _____

PO No.:

Architect:

GC:

Engr:

Mech:

Rep:

(Company)

(Project Manager)



LP073HDUC

Packaged Terminal Air Conditioner (PTAC)

208-230V Heat Pump



SPECIFICATIONS		Unit	LP073HDUC	
Power Supply		V/Hz/Φ	208/60/1	230/60/1
Operating Range: Heating/Cooling		°F	-4-75 / 54-115	
Cooling Capacity		Btu/h	7,100	7,300
Heating Capacity		Btu/h	6,200	6,400
Electric Heater Capacity	with 15A cord	Btu/h (kW)	7,800 (2.3)	8,100 (2.4)
	with 20A cord	Btu/h (kW)	10,900 (3.2)	11,200 (3.3)
	with 30A cord	Btu/h (kW)	15,700 (4.6)	16,000 (4.7)
EER		Btu/h.W	13.3	
COP		WW	3.6	
Weight: Net/Shipping		lbs	95/109	
Dimensions: W x H x D		in	42 x 16 x 21	
Sound Pressure Max: IDU/ODU		dB(A)	45/61	
Indoor Air Flow Max (H/L)		CFM	270/225	
Outside Air Intake (Manual Damper)		CFM	50	
Dehumidification		pts/hr	1.7	

ELECTRICAL				
Power Supply		V/Hz/Φ	208/60/1	230/60/1
MCA	with 15A cord	A	14.5	13.6
	with 20A cord	A	19.8	18.6
	with 30A cord	A	28.3	26.2
MOP	with 15A cord	A	15	
	with 20A cord	A	20	
	with 30A cord	A	30	
Cooling Rated Amps		A	2.7	2.5
Heating Rated Amps		A	2.6	2.4
Cooling Power Input		W	535	550
Heating Power input		W	500	520

- 1: EER - Energy Efficiency Ratio
- 2: COP - Coefficient of Performance
- 3: IDU - Indoor Unit
- 4: ODU - Outdoor Unit
- 5: MOP - Maximum Overcurrent Protection
- 6: MCA - Minimum Circuit Ampacity

Standard Features:

- Auto restart
- Digital control display
- Dip switch setting for temperature limiting
- Energy saver mode
- Freeze room protection
- GoldFin™ anti-corrosion treatment for condenser
- High energy efficiency
- Temperature display on unit
- Ultra-quiet operation

Required Accessories:

- Choose one of these three power cords (208-230V units only):

- AYUH2115 - 15A - 2.3/2.4 kW
- AYUH2120 - 20A - 3.2/3.3 kW
- AYUH2130 - 30A - 4.6/4.7 kW

Optional Accessories:

- See page 3

Job Name/Location:

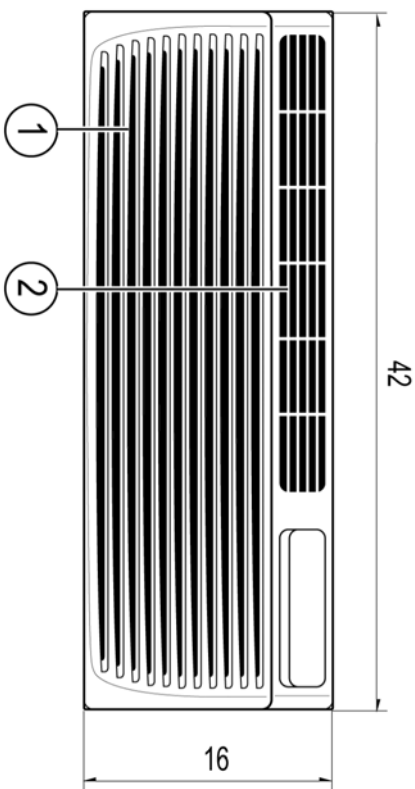
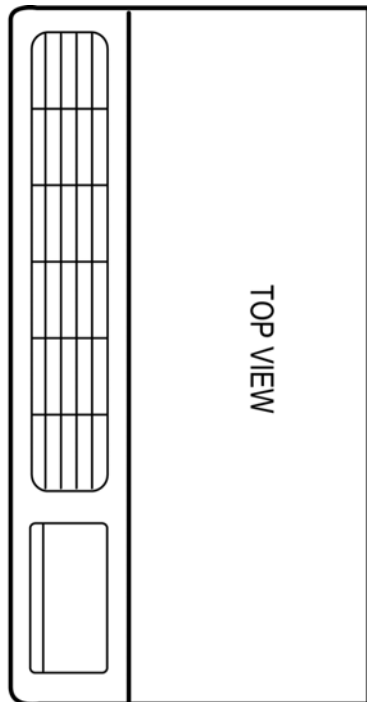
LP073HDUC
 Packaged Terminal Air Conditioner (PTAC)
 208-230V Heat Pump



Tag #:

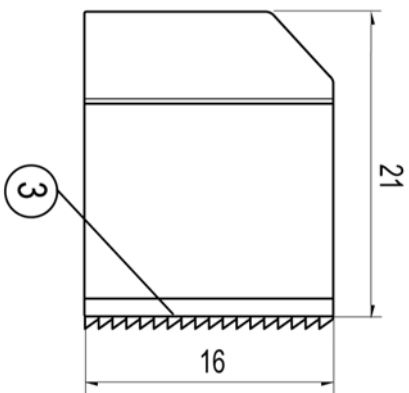
Date:

PO No.:



Unit: Inch

Item No.	Part name	Remark
1	Inlet Grille	
2	Vertical Air Deflector	
3	Architectural Grille	



Notes:

1. The unit should not be installed in a closed area.
2. In an area or space having no proper circulation, an air guide should be installed on the outdoor side.

LP073HDUC

Packaged Terminal Air Conditioner (PTAC)
208-230V Heat Pump



Tag #:

Date:

PO No.:



AYWH110



PYRCUCA0B / PYRCUCC1HB

OPTIONAL ACCESSORIES:

TYPE	MODEL#	NAME
Control	<input type="checkbox"/> AYWH110	Wired Wall Thermostat Connection Kit
	<input type="checkbox"/> PYRCUCA0B	Digital Wired Wall Thermostat
	<input type="checkbox"/> PYRCUCC1HB	Digital Wireless Wall Thermostat



AYAD101



AYCP101



AYFT110



AYLD1A



AYLL101B



AYRE110



AYSBS1201B/AYSBS1301B
AYSBS5101/AYSBS6101

TYPE	MODEL#	NAME
Indoor	<input type="checkbox"/> AYAD101	Air Deflector
	<input type="checkbox"/> AYCP101	Control Panel Key Lock
	<input type="checkbox"/> AYFT110	Replacement Filters (10-pack)
	<input type="checkbox"/> AYLD1A	Lateral Duct Kit
	<input type="checkbox"/> AYLL101B	Leveling Legs (set of 2)
	<input type="checkbox"/> AYRE110	Remote Escutcheon Kit (10-Pack)
	<input type="checkbox"/> AYSBS1201B	Sub-Base (208/230V, 15-20A, without disconnect switch)
	<input type="checkbox"/> AYSBS1301B	Sub-Base (208/230V, 30A, without disconnect switch)
	<input type="checkbox"/> AYDSW1201B	Disconnect Switch - 208/230V 20A
	<input type="checkbox"/> AYDSW1301B	Disconnect Switch - 208/230V 30A
	<input type="checkbox"/> AYSBS5101	Protective Sub-Base Panel
<input type="checkbox"/> AYSBS6101	Non-electrical Sub-Base	



AYAGALA01A/AYAGALB01A/AYAGALC01A



AYAGPLB01/AYAGPLC01/AYAGPLD01



AYDR101B



AYFDSV01A



AYRGALA01



AYSVB01A

TYPE	MODEL#	NAME
Outdoor	<input type="checkbox"/> AYAGALA01A	Aluminum Grille - Clear
	<input type="checkbox"/> AYAGALB01A	Aluminum Grille - Bronze
	<input type="checkbox"/> AYAGALC01A	Aluminum Grille - Soft Dove
	<input type="checkbox"/> AYAGPLB01	Polymer Grille - Dark Bronze
	<input type="checkbox"/> AYAGPLC01	Polymer Grille - Soft Dove
	<input type="checkbox"/> AYAGPLD01	Polymer Grille - White
	<input type="checkbox"/> AYDR101B	Condensate Drain Kit
	<input type="checkbox"/> AYFDSV01A	Four-piece Insulated Snap Together Wall Sleeve
	<input type="checkbox"/> AYRGALA01	Aluminum Grille - Stamped
	<input type="checkbox"/> AYSVB01A	Wall Sleeve - Single
	<input type="checkbox"/> AYSV018B	Wall Sleeve - Snap On (18")
	<input type="checkbox"/> AYSV024B	Wall Sleeve - Snap On (24")
	<input type="checkbox"/> AYSVKITB	Wall Sleeve Extension Kit (2")

REQUIRED ACCESSORY FOR 208-230V PTAC (choose one power cord):

TYPE	MODEL#	NAME
Power Cord	<input type="checkbox"/> AYUH2115	Power Cord with plug 15A (with universal heater)
	<input type="checkbox"/> AYUH2120	Power Cord with plug 20A (with universal heater)
	<input type="checkbox"/> AYUH2130	Power Cord with plug 30A (with universal heater)



AYUH2115



AYUH2120



AYUH2130