

**CFM**<sup>TM</sup>  
CONTINENTAL FAN

# Wholesale Ventilation Products




*... better AIRFLOW by DESIGN!*



## ***HISTORY, DEDICATION, AND EXPERIENCE***

Continental Fan was established in 1986 to manufacture and distribute quality ventilation equipment. Our objectives then were simple ... to provide superior products, dependable service, competitive pricing, and a knowledgeable staff to satisfy our customers' needs. They remain unchanged today.

Industry leading  air moving equipment has earned an excellent reputation through years of exceptional performance and reliable operation. We offer the largest quick ship program available and fast deliveries for those products not in stock.

Our experienced and friendly staff delivers customer service that is second to none. We are happy to entertain inquiries for custom fans and provide our customers with 3D models for their air moving solutions. In short, we provide.....

***better AIRFLOW by DESIGN™***

We appreciate your interest and welcome your inquiries.

**Continental Fan Manufacturing Inc.**

Buffalo, New York

**Continental Fan Canada Inc.**

Mississauga, Ontario

**Continental Fan Manufacturing Inc.**

Dayton, Ohio



# WHOLESALE VENTILATION PRODUCTS

## TABLE OF CONTENTS

<b>DUCT FANS</b>	
• AXC In-line Duct Fans .....	4
• AXP In-Line Duct Fans .....	5
• MFT Mixed Flow In-line Fans .....	6
• MFT-S Mixed Flow In-line Fans .....	7
• EXT External Mount Duct Fans .....	8
• MBI Centrifugal In-Line Fans .....	9
<b>DRYER BOOSTER FANS</b>	
• DVK Dryer Booster Fan .....	10
<b>BATHROOM FANS &amp; KITS</b>	
• AXC Bathroom Ventilation Kits .....	11
• TF140-DC Tranquil Bathroom Fan .....	12
• TF Tranquil Bathroom Fans .....	13
• CF Bathroom Exhaust Fans .....	14
• AeroFan Bathroom Fans .....	15
• Commercial TF200 Tranquil Bathroom Fans .....	16
• CEF Ceiling Exhaust Fans .....	17
<b>ENERGY RECOVERY VENTILATORS</b>	
• ECO-FLO Energy Recovery Ventilator (ERV).....	18-19
<b>AIR PURIFIERS</b>	
• CX1000 Portable Air Purifier .....	20-21
• CX3000GS Ducted Air Purifier .....	20-21
<b>WALL FANS</b>	
• SEF Shutter Mount Wall Fans .....	22
• PEF Panel Mount Wall Fans .....	22
• GEF Guard Mount Wall Fans .....	22
<b>ROOF &amp; WALL EXHAUST FANS</b>	
• RMD Direct Drive Axial Exhaust Fans .....	23
• CDB Belt Drive Downblast Fans .....	24-25
• CDD Direct Drive Downblast Fans .....	26-27
• CUB Belt Drive Upblast Fans .....	28-29
• CUD Direct Drive Upblast Fans .....	30-31
<b>RADIAL BLADE BLOWERS</b>	
• KRD Radial Blade Blowers .....	32
• PRD Radial Blade Pressure Blowers .....	33
<b>DESTRATIFICATION FANS</b>	
• DSF Destratification Fans .....	34-35
<b>CONTROLS, GRILLES &amp; ACCESSORIES</b>	
• DFC Digital Fan Control .....	36
• Controls .....	37
• Grilles & Accessories .....	38-39
<b>DAMPERS</b>	
• IRIS Dampers .....	40
• BDD Backdraft Dampers .....	41
<b>OEM AND INDUSTRIAL FANS &amp; BLOWERS</b>	
• OEM and Industrial Fans & Blowers .....	42-43

# DUCT FANS

## AXC IN-LINE DUCT FANS

AXC In-Line Duct Fans are designed for residential, commercial and light industrial ventilation applications. The quiet and efficient backward-curved motorized impeller is capable of developing significant pressure, and the in-line configuration simplifies installation.

### FEATURES & BENEFITS

- Heavy gauge, drawn steel housing with baked epoxy finish
- 120V operation, other voltages available
- Easy to install - mounting brackets included
- May be mounted in any position
- Fans may be used to supply or exhaust air
- Suitable for air temperatures up to 140 F / 60 C
- Energy efficient - speed controllable (optional solid state speed control)
- Optional pre-wired with 120V power cord (AXC-C)
- Exceptionally quiet and efficient BC centrifugal motorized impeller
- External rotor motor design results in superior motor cooling and durability
- Permanently lubricated ball bearing motor for maintenance-free operation
- Automatic reset thermal overload protection
- Fan and motor are precision balanced for quiet and vibration-free operation
- Easily accessible, external junction box with pre-wired capacitor
- Available to fit duct sizes 4" - 12"; airflow capacities to 970 cfm



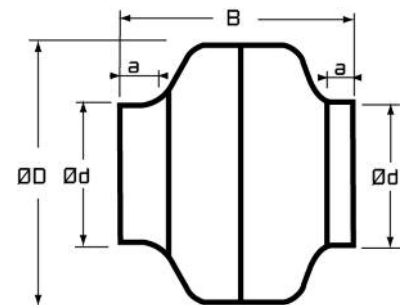
### ACCESSORIES / OPTIONS

- Controls - pages 36-37
- Decorative grilles - page 38
- Accessories - pages 38-39

MODEL	WATTS	RPM	AIRFLOW PERFORMANCE (CFM)								
			0" SP	0.2" SP	0.4" SP	0.6" SP	0.8" SP	1.0" SP	1.2" SP	1.5" SP	2.0" SP
AXC100A-ES	43.3	2580	147	130	107	82	57	34	11		
AXC100B	83.4	2620	150	140	127	112	94	74	53	23	
AXC125A-ES	44.4	2520	179	150	121	87	49	14			
AXC125B	85.4	2750	183	160	141	122	101	77	51	14	
AXC150A-ES	46.8	2390	235	190	148	97	44				
AXC150B-ES	89.2	2450	308	260	216	175	139	108	81	47	
AXC200A-ES	84.5	2500	368	300	234	184	149	114	70		
AXC200B-ES	188	2550	579	520	453	387	329	282	245	206	154
AXC250-ES	198	2470	616	550	488	431	379	330	286	227	143
AXC300A-ES	206	2450	780	700	595	420	330	290	255	210	132
AXC300B-ES	312	2780	970	910	803	680	559	453	367	273	164

FOR PRE-WIRED WITH 120V POWER CORD, ADD -C TO MODEL.

MODEL	DIMENSIONS IN INCHES*				SHIP WT (LBS)
	D	d	a	B	
AXC100A-ES	9.5	3.9	1.0	8.3	7.5
AXC100B	9.5	3.9	1.0	8.3	8.0
AXC125A-ES	9.5	4.8	1.0	8.3	7.5
AXC125B	9.5	4.8	1.0	8.3	7.5
AXC150A-ES	9.5	5.8	1.0	8.3	7.5
AXC150B-ES	13.2	5.8	1.0	9.1	12.5
AXC200A-ES	13.2	7.8	1.0	9.1	12.0
AXC200B-ES	13.2	7.8	1.0	9.1	15.0
AXC250-ES	13.2	9.8	1.0	9.1	15.0
AXC300A-ES	15.9	11.8	1.2	11.8	18.0
AXC300B-ES	15.9	11.8	1.2	11.8	18.0



## AXP IN-LINE DUCT FANS

AXP In-Line Duct Fans are designed for residential, commercial and light industrial ventilation applications. The quiet and efficient backward-curved motorized impeller is capable of developing significant pressure, and the in-line configuration simplifies installation.

### FEATURES & BENEFITS

- UV and corrosion resistant, durable plastic housing
- 120V operation, other voltages available
- Easy to install - mounting brackets included
- May be mounted in any position
- Fans may be used to supply or exhaust air
- Suitable for air temperatures up to 122 F
- Energy efficient - speed controllable (optional solid state speed control)
- Optional pre-wired with 120V power cord (AXP-C)
- Exceptionally quiet and efficient BC centrifugal motorized impeller
- External rotor motor design results in superior motor cooling and durability
- Permanently lubricated ball bearing motor for maintenance-free operation
- Automatic reset thermal overload protection
- Fan and motor are precision balanced for quiet and vibration-free operation
- Easily accessible, external junction box with pre-wired capacitor
- Available to fit duct sizes 4" - 12"; airflow capacity to 837 cfm



### ACCESSORIES / OPTIONS

- Controls - pages 36-37
- Decorative grilles - page 38
- Accessories - pages 38-39

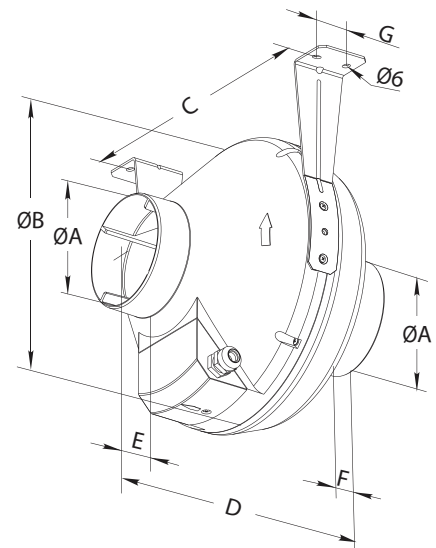
MODEL	RPM	WATTS	AIRFLOW PERFORMANCE (CFM)					
			0" SP	0.2" SP	0.5" SP	0.75" SP	1.0" SP	1.5" SP
AXP100	3088	106	162	150	134	120	104	67
AXP125	2960	114	235	214	178	151	123	72
AXP150	2907	113	317	289	247	212	178	68
AXP200	2650	142	583	544	462	390	320	196
AXP250	2604	293	735	675	588	507	432	307
AXP300	2741	271	837	772	659	564	474	307

MODEL	DIMENSIONS IN INCHES*								SHIP WT (LBS)
	DUCT DIA.	ØA	ØB	C	D	E	F	G	
AXP100	4"	3.9	9.8	10.6	9.1	1.2	1.1	1.2	7.0
AXP125	5"	4.9	9.8	10.6	8.7	1.2	1.1	1.2	7.0
AXP150	6"	5.9	11.8	12.2	11.3	1.2	1.2	1.2	8.0
AXP200	8"	7.9	13.4	13.9	10.9	1.2	1.2	1.6	9.0
AXP250	10"	9.8	13.4	13.9	10.4	1.2	1.2	1.6	12.0
AXP300**	12"	12.3	15.8	16.3	16.3	1.6	2.2	1.6	14.0

\*DO NOT USE FOR CONSTRUCTION

CONSULT FACTORY FOR CERTIFIED PRINTS

\*\*INCLUDES 2 DUCT REDUCERS TO FIT 12" DUCT



# DUCT FANS

## MFT MIXED FLOW IN-LINE FANS

MFT Mixed Flow In-Line Fans are designed for residential and light commercial ventilation applications. These compact, powerful, and quiet fans feature a durable UV resistant plastic housing and a two-speed motor.

### FEATURES & BENEFITS

- UV and corrosion resistant, durable plastic housing
- Powerful, compact and quiet mixed flow impeller
- Easy to install - mounting brackets included
- May be mounted in any position
- Ideal for long duct runs
- Fans may be used to supply or exhaust air
- Suitable for air temperatures up to 140 F
- Optional pre-wired with 120V power cord (MFT-C)
- Energy efficient two-speed motor
- Single-phase asynchronous motor; IPX4 protection
- Permanently lubricated ball bearing motor for maintenance-free operation
- Automatic reset thermal overload protection
- Fan and motor are precision balanced for quiet and vibration-free operation
- Easy access to motor & impeller; no need to dismantle duct work
- Available to fit duct sizes 4" - 12"; airflow capacities to 1,051 cfm



### ACCESSORIES / OPTIONS

- Controls - pages 36-37
- Decorative grilles - page 38
- Accessories - pages 38-39

MODEL	SPEED	RPM	WATTS	AIRFLOW PERFORMANCE (CFM)								
				0" SP	0.125" SP	0.2" SP	0.25" SP	0.5" SP	0.75" SP	1.0" SP	1.25" SP	1.5" SP
MFT100	High	3113	36.0	105	49	37	32	13	-	-	-	-
	Low	2818	29.5	62	41	30	23	2	-	-	-	-
MFT125	High	2600	41.0	126	112	99	46	-	-	-	-	-
	Low	2350	31.0	87	64	27	4	-	-	-	-	-
MFT150	High	2033	55.0	252	233	216	199	78	10	-	-	-
	Low	1386	29.0	167	129	75	61	21	-	-	-	-
MFT200	High	2116	111.0	473	450	432	420	352	254	89	-	-
	Low	1622	69.5	349	317	294	276	158	32	-	-	-
MFT250	High	2525	200.0	880	873	866	862	816	708	581	450	323
	Low	1925	130.0	655	646	630	620	480	330	230	115	10
MFT300	High	2419	353.0	1051	1020	999	986	914	838	746	632	500
	Low	1914	236.0	830	797	770	751	638	496	335	209	109

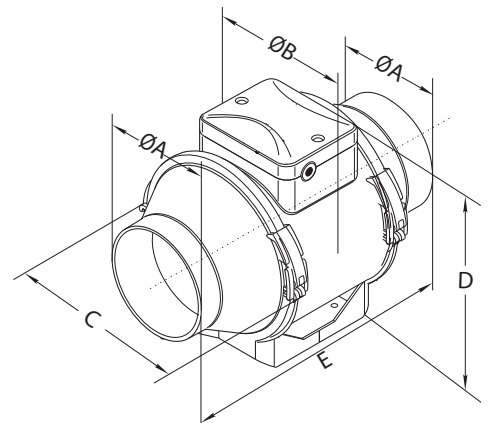
\*FOR PRE-WIRED WITH 120V POWER CORD, ADD -C TO MODEL.

MODEL	DUCT DIA.	DIMENSIONS IN INCHES*					SHIP WT (LBS)
		ØA	ØB	C	D	E	
MFT100	4"	3.8	5.5	6.6	7.5	9.7	5.0
MFT125	5"	4.8	5.5	6.6	7.5	9.7	5.0
MFT150	6"	5.8	7.7	8.8	9.8	11.6	8.0
MFT200	8"	7.8	8.3	9.4	10.3	11.6	16.0
MFT250	10"	9.8	10.1	11.3	12.7	15.2	20.0
MFT300**	12"	12.3	12.7	14.3	16.1	22.9	27.0

\*DO NOT USE FOR CONSTRUCTION

CONSULT FACTORY FOR CERTIFIED PRINTS

\*\*INCLUDES 2 DUCT REDUCERS TO FIT 12" DUCT



## MFT-S MIXED FLOW IN-LINE FANS

MFT-S Mixed Flow In-Line Fans are designed to be virtually silent. The specially designed housing is optimized with an aerodynamic diffuser and specially designed impeller to produce powerful pressure and airflow, while generating very little noise.

### FEATURES & BENEFITS

- UV and corrosion resistant, durable plastic housing
- Virtually silent mixed flow fan aerodynamically designed for smooth airflow
- Easy to install - mounting brackets included
- May be mounted in any position
- Ideal for long duct runs
- Fans may be used to supply or exhaust air
- Suitable for air temperatures up to 140 F
- Optional pre-wired with 120V power cord (MFT-S-C)
- Energy efficient two-speed motor
- Single-phase asynchronous motor; IPX4 protections
- Permanently lubricated ball bearing motor for maintenance-free operation
- Automatic reset thermal overload protection
- Fan and motor are precision balanced for quiet and vibration-free operation
- Easy access to motor & impeller; no need to dismantle duct work
- Available to fit duct sizes 4", 5" & 6"; airflow capacities to 327 cfm



### ACCESSORIES / OPTIONS

- Controls - pages 36-37
- Decorative grilles - page 38
- Accessories - pages 38-39

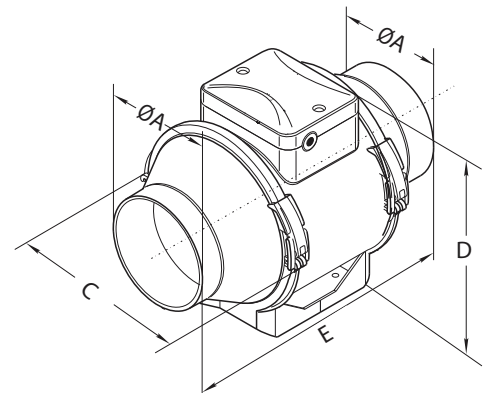
MODEL	SPEED	RPM	WATTS	AIRFLOW PERFORMANCE (CFM)										
				0" SP	0.1" SP	0.2" SP	0.3" SP	0.4" SP	0.5" SP	0.6" SP	0.7" SP	0.8" SP	0.9" SP	1.0" SP
MFT100S	High	1994	30	146	128	110	88	64	44	21	9	-	-	-
	Low	1500	24	109	88	68	47	22	10	-	-	-	-	-
MFT125S	High	2059	37	200	183	161	137	93	62	32	0	-	-	-
	Low	1360	25	132	106	80	51	13	-	-	-	-	-	-
MFT150S	High	2617	66	327	316	299	283	268	247	225	194	138	83	50
	Low	1933	52	240	219	194	171	134	111	86	57	27	7	-

\*FOR PRE-WIRED WITH 120V POWER CORD, ADD -C TO MODEL.

MODEL	DIMENSIONS IN INCHES*					SHIP WT (LBS)
	DUCT DIA.	ØA	C	D	E	
MFT100S	4"	3.8	7.7	8.9	11.9	5.0
MFT125S	5"	4.8	7.7	8.9	10.2	5.0
MFT150S	6"	5.8	8.7	9.8	11.4	8.0

\*DO NOT USE FOR CONSTRUCTION

CONSULT FACTORY FOR CERTIFIED PRINTS



# DUCT FANS

## EXT EXTERNAL MOUNT DUCT FANS

EXT External Mount Duct Fans offer the perfect solution when space restrictions prevent the use of in-line duct fans. EXT fans provide a simple through-the-wall solution, and can be mounted on the exterior of a building to allow for easy access to the fan.

### FEATURES & BENEFITS

- Heavy gauge, galvanized steel housing with baked epoxy finish
- 120V operation
- May be mounted on the exterior of a building
- Enclosed motor housing for dust & lint
- Suitable for air temperatures up to 140 F / 60 C
- Energy efficient - speed controllable (optional solid state speed control)
- Rugged construction for long life
- Built-in backdraft damper
- Exceptionally quiet and efficient BC centrifugal motorized impeller
- External rotor motor design results in superior motor cooling and durability
- Permanently lubricated ball bearing motor for maintenance-free operation
- Automatic reset thermal overload protection
- Fan and motor are precision balanced for quiet and vibration-free operation
- Pre-wired capacitor
- Available to fit duct sizes in 4", 6", & 8"; airflow capacities to 445 cfm

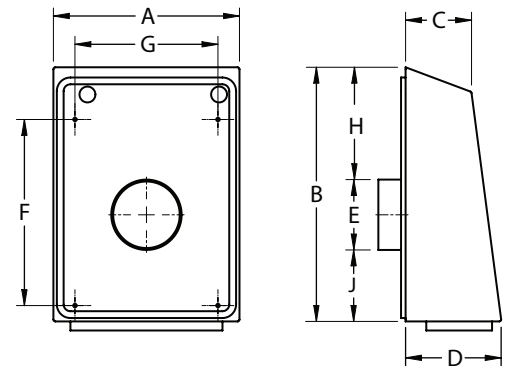


### ACCESSORIES / OPTIONS

- Controls - pages 36-37
- Decorative grilles - page 38
- Accessories - pages 38-39

MODEL	WATTS	RPM	AIRFLOW PERFORMANCE (CFM)										
			0" SP	0.1" SP	0.2" SP	0.3" SP	0.4" SP	0.5" SP	0.8" SP	1.0" SP	1.3" SP	1.5" SP	2.0" SP
EXT100A	66	1560	118	101	91	84	72	62	44	28	16		
EXT100B	81	2260	177	163	155	150	140	125	100	72	47	26	
EXT150A	90	2436	227	202	194	186	174	162	130	85	21		
EXT150B	140	2830	396	373	359	350	326	311	268	232	190	149	66
EXT200A	140	2820	445	393	375	358	328	300	254	212	170	119	
EXT200B	186	2310	420	379	366	353	329	298	249	211	172	142	

MODEL	DIMENSIONS IN INCHES*									SHIP WT (LBS)
	A	B	C	D	E	F	G	H	J	
EXT100A	10.2	14.0	3.6	5.2	3.8	10.3	7.9	6.2	3.8	11.6
EXT100B	10.2	14.0	3.6	5.2	3.8	10.3	7.9	6.2	3.8	11.6
EXT150A	10.2	14.0	3.6	5.2	5.8	10.3	7.9	5.2	2.8	11.6
EXT150B	14.2	17.3	3.6	5.2	5.8	12.3	11.6	7.2	4.2	18.0
EXT200A	14.2	17.3	3.6	5.2	7.8	12.3	11.6	6.3	3.2	18.0
EXT200B	14.2	17.3	3.6	5.2	7.8	12.3	11.6	6.3	3.2	19.0



\*DO NOT USE FOR CONSTRUCTION

CONSULT FACTORY FOR CERTIFIED PRINTS





## MBI CENTRIFUGAL IN-LINE FANS

MBI Centrifugal In-Line Fans are designed for residential and light commercial ventilation applications. Multiple source ducting options offer the perfect solution for whole house ventilation in multi-unit housing complexes.

### FEATURES & BENEFITS

- Steel housing with corrosion resistant finish
- 120V operation, other voltages available
- Removable fan cover for easy maintenance
- Easy to install - mounting brackets included
- Multiple source ducting options
- Fans may be used to supply or exhaust air
- Suitable for air temperatures from -13 F to 140 F
- Energy efficient - speed controllable (optional solid state speed control)
- Exceptionally quiet and efficient BC centrifugal motorized impeller
- Single-phase asynchronous external rotor motor
- Permanently lubricated ball bearing motor for maintenance-free operation
- Automatic reset thermal overload protection
- Fan and motor are precision balanced for quiet and vibration-free operation
- Easily accessible, external junction box with pre-wired capacitor
- Available to fit duct sizes 4", 5" & 6"; airflow capacities to 290 cfm

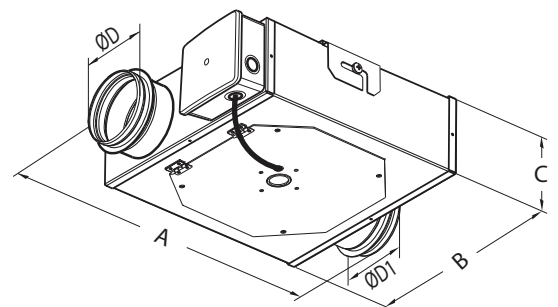


### ACCESSORIES / OPTIONS

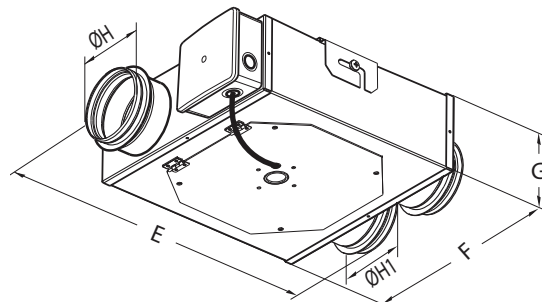
- Controls - pages 36-37
- Decorative grilles - page 38
- Accessories - pages 38-39

MODEL	RPM	WATTS	AIRFLOW PERFORMANCE (CFM)									
			0" SP	0.125" SP	0.2" SP	0.25" SP	0.50" SP	0.75" SP	1.0" SP	1.25" SP	1.5" SP	1.75" SP
MBI100	3090	105	147	143	139	137	123	110	99	90	76	56
MBI125	2920	113	173	169	165	162	147	126	106	85	58	30
MBI150	2020	110	221	214	206	200	171	145	120	92	65	36
MBI125/100	2920	117	232	225	219	216	197	173	148	125	99	73
MBI150/125	2155	110	290	273	262	252	211	178	146	114	84	57

DIMENSIONS IN INCHES*							
IN-LINE BOOSTER FAN							
MODEL	DUCT DIA.	A	B	C	ØD	ØD1	SHIP WT (LBS)
MBI100	4"	14.3	9.9	4.8	3.9	3.9	12.0
MBI125	5"	16.6	9.9	5.7	4.9	4.9	12.0
MBI150	6"	19.7	11.8	7.1	5.9	5.9	16.0



TWIN INTAKE FAN							
MODEL	DUCT DIA.	E	F	G	ØH	ØH1	SHIP WT (LBS)
MBI125/100	5" / 4"	16.6	9.9	5.7	4.9	3.9	12.0
MBI150/125	6" / 5"	19.7	11.8	7.1	5.9	4.9	16.0



\*DO NOT USE FOR CONSTRUCTION

CONSULT FACTORY FOR CERTIFIED PRINTS



# DRYER BOOSTER FANS

## DVK DRYER BOOSTER FAN

The DVK Dryer Booster Fan is designed to enhance the drying efficiency of a dryer. It is capable of overcoming a long duct run, and the in-line design simplifies installation. Unique features result in a quiet and powerful dryer boosting solution.

### FEATURES & BENEFITS

- Boost dryer exhaust efficiency, reduce drying times, and deliver cost savings
- External rotor motor design for quiet and efficient operation
- Backward-curved centrifugal impeller to overcome long duct runs
- In-line construction to reduce lint build-up
- Heavy gauge, drawn steel housing with baked epoxy finish
- High temperature construction: 60 C/140 F
- Thermal overload protection
- Automatic reset



### ACCESSORIES / OPTIONS

- Controls - pages 36-37
- Accessories - pages 38-39

### BOOSTER FAN ACTIVATION METHODS



#### Current Sensor (DVK100B-C Kit)

This is the preferred method for activating a dryer booster fan. When a clothes dryer is operating and drawing at least one amp of current, the current sensor automatically activates the DVK100B dryer booster fan.



#### Pressure Switch (DVK100B-P Kit)

The pressure switch is designed to be mounted in the duct between the fan and the dryer. When it senses dryer airflow, the switch activates the DVK100B dryer booster fan.



#### Pressure Switch - Mounted (DVK100B-PM Kit)

The pre-mounted pressure switch simplifies installation. Utilizing the components found in the DVK100B-P kit, the pressure switch is pre-wired and factory mounted to the DVK100B dryer booster fan.

Each of the above booster fan activation methods may be purchased as a separate accessory item.  
Note: Continental Fan does not recommend wiring a dryer booster fan directly into a clothes dryer.

### INSTALLATION TIPS

- DVK100B fans should be mounted at least 15 linear feet from dryer.
- Each 90-degree elbow is equivalent to 5 linear feet of duct.
- DVK100B fans are designed to vent up to 110 feet of 4-inch rigid duct.

### HELPFUL HINTS

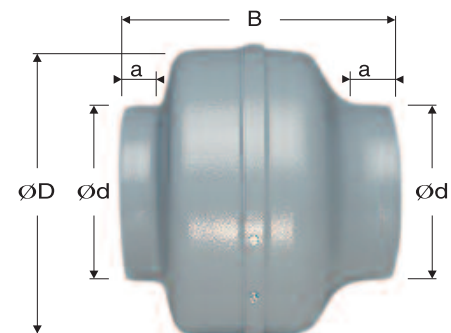
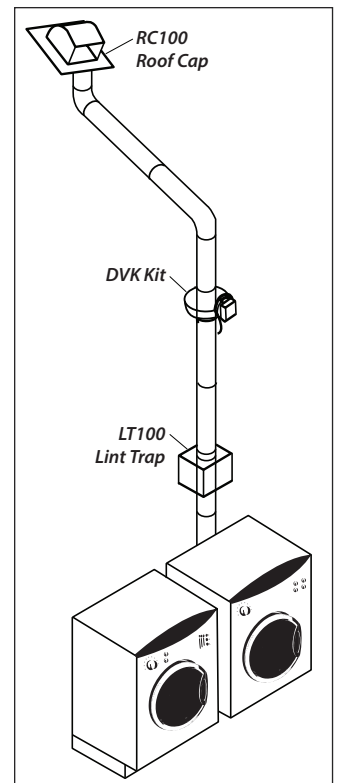
A LT100 Lint Trap may be installed between the dryer and the booster fan to reduce lint build-up and maintenance on the fan.

MODEL	WATTS	RPM	AIRFLOW PERFORMANCE (CFM)								
			0" SP	0.2" SP	0.4" SP	0.6" SP	0.8" SP	1.0" SP	1.2" SP	1.5" SP	
DVK100B	83.4	2620	150	140	127	112	94	74	53	23	

MODEL	DIMENSIONS IN INCHES				SHIP WT (LBS)
	D	d	a	B	
DVK100B	9.5	3.9	1.0	8.3	8.0

\*DO NOT USE FOR CONSTRUCTION

CONSULT FACTORY FOR CERTIFIED PRINTS



## AXC BATHROOM VENTILATION KITS

AXC in-line duct fans provide exhaust that is two to four times greater than traditional bathroom fans. The remote mounted design is suitable for direct shower ventilation and for use with multiple ventilation points. AXC fans are available in a selection of easy-to-install bathroom ventilation kits with one or two exhaust points.

ROOM SIZE	FAN MODEL	AVAILABLE KITS
Up to 100 sq. ft.	AXC100A-ES	RG100-ES; AGK100-ES
Up to 150 sq. ft.	AXC150A-ES	RG150A-ES; AGK150A-ES; DX150A-ES; DXAGK150A-ES
Over 150 sq. ft.	AXC200A-ES	DX200A-ES

## ADJUSTABLE GRILLE BATHROOM VENTILATION KITS

Attack moisture at its source. Vary airflow to suit your needs.

### RG Kits Include:

AXC Fan, Mounting Brackets, GR Adjustable Grille/Collar (1), Gear Clamp (3)

- RG100-ES: 4" Fan, 147 cfm
- RG150A-ES: 6" Fan, 235 cfm



### DX Kits Include:

AXC Fan, Mounting Brackets, GR Adjustable Grilles/Collar (2), Gear Clamp (7), Y-Fitting (1)

- DX150A-ES: 6" Fan, 235 cfm
- DX200A-ES: 8" Fan, 368 cfm



## AEROGRILLE BATHROOM VENTILATION KITS

The attractive, non-adjustable AeroGrille provides superior ventilation when combined with an AXC in-line duct fan.

### AGK Kits Include:

AXC Fan, Mounting Brackets, AeroGrille/Collar/Damper (1), Gear Clamp (3)

- AGK100-ES: 4" Fan, 147 cfm
- AGK150A-ES: 6" Fan, 235 cfm



### DXAGK Kit Includes:

AXC Fan, Mounting Brackets, AeroGrille/Collar/Damper (2), Gear Clamp (7), Y-Fitting (1)

- DXAGK150A-ES: 6" Fan, 235 cfm



## HELPFUL TIPS

- AXC fan mounts easily to attic joists with the exclusive Continental Fan mounting bracket.
- Always use insulated duct in unheated spaces.
- When direct venting a shower, or if noise is a significant factor, use insulated flexible duct to reduce condensation and/or noise levels.
- Add a DFC digital fan control for smart control technology and energy savings.

# BATHROOM FANS & KITS

## TF140-DC TRANQUIL BATHROOM FAN

With its high efficiency DC motor, the TF140-DC Tranquil Bathroom Fan offers whisper-quiet exhaust that is under 1 sone, with dual-speed capability. Toggle-switch positioning determines the maximum desired airflow rate, ranging from 90 to 140 cfm. The low-speed airflow rate is adjustable from 40 cfm up to the maximum desired airflow.

The versatile TF140-DC fan can be installed as a traditional bathroom fan. Alternatively, it can be configured to operate continuously at a low airflow rate to improve indoor air quality (IAQ), and to boost the exhaust to maximum airflow with a flip of a switch.

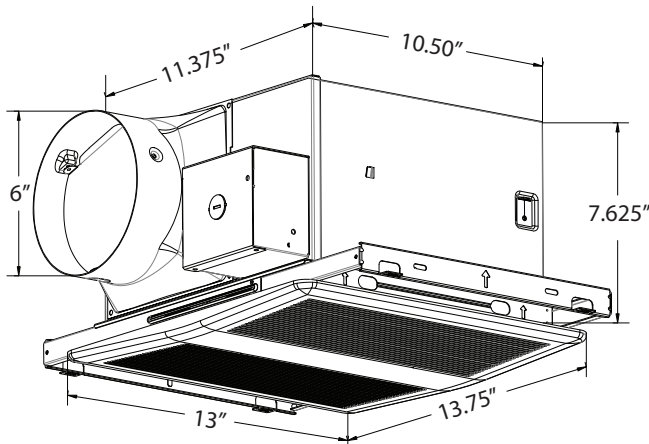
### FEATURES & BENEFITS

- Multi-speed fan
- Efficient DC motor
- Whisper-quiet, under 1 sone
- Continuous operation with boost function
- Superior ventilation & efficient performance
- Clean, simple grille design
- Galvanized steel housing with mounting frame
- Easy installation to joist
- Built-in backdraft damper
- 120V, 60 Hz, single phase operation
- Automatic reset thermal overload protection
- Fits 6" duct



### ACCESSORIES / OPTIONS

- Controls - pages 36-37
- Accessories - pages 38-39



MODEL	MANUFACTURE CODE	PERFORMANCE			
		CFM 0.1" SP	SONES	WATTS	POWER SUPPLY
TF140-DC	SED1104	90	0.5	8.1	120 V 60 Hz 1 Phase
		110	0.9	10.3	
		120	1.2	12.2	
		140	1.5	15.6	

MODEL	DIMENSIONS IN INCHES*					
	DUCT DIA.	GRILLE SIZE	HOUSING SIZE			WT LBS
			L	W	H	
TF140-DC	6	13 x 13.75	11.375	10.5	7.625	5.0

\*DO NOT USE FOR CONSTRUCTION

CONSULT FACTORY FOR CERTIFIED PRINTS



## TF TRANQUIL BATHROOM FANS

TF Tranquil Bathroom Fans are available in non-lighted and lighted versions, providing superior ventilation and efficient performance suitable for all interiors. The built-in damper prevents a backdraft when the fan is not operating.

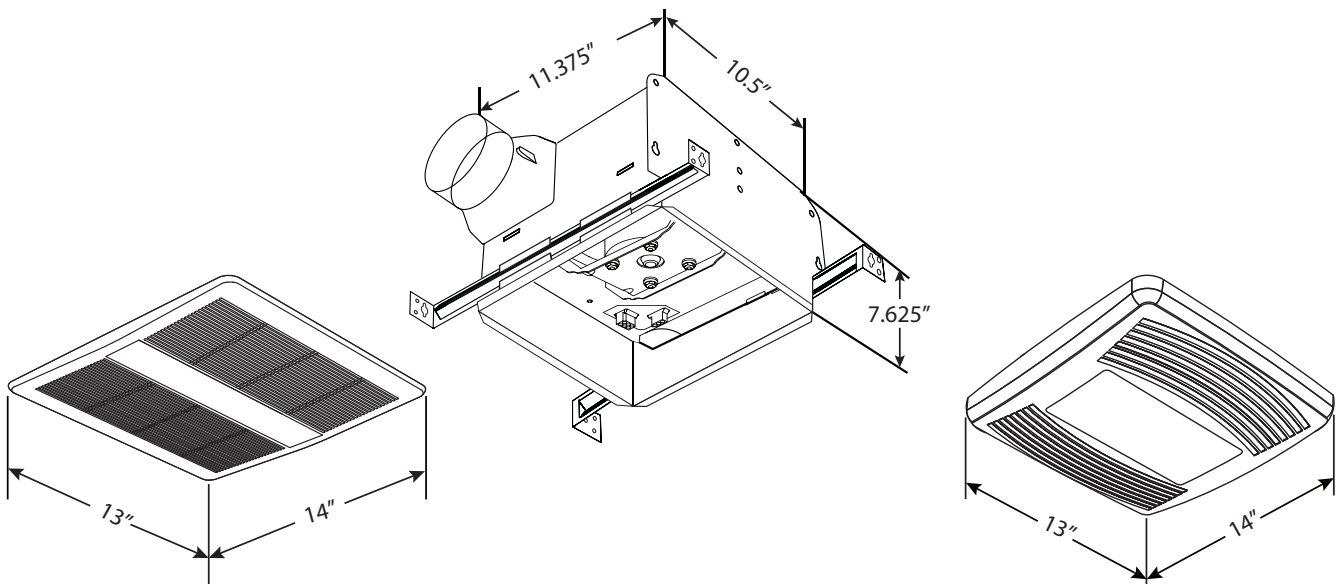
### FEATURES & BENEFITS

- Whisper-quiet, 1.1 sone or less
- Non-lighted (TF80 & TF110) & lighted (TF80L & TF110L) versions
- Clean, simple grille design
- Galvanized steel housing
- Easy installation
- Double hanger mounting brackets adjust up to 24" span
- Built-in backdraft damper
- Efficient AC motor
- 120V, 60 Hz operation
- Automatic reset thermal overload protection
- Max 26W GU24 fluorescent light
- Available to fit duct sizes 4" & 6"



### ACCESSORIES / OPTIONS

- Controls - pages 36-37
- Accessories - pages 38-39



MODEL	PERFORMANCE				ENERGY STAR® & HVI CERTIFIED
	CFM 0.1" SP	CFM 0.25 SP	SONES	WATTS	
<b>NON-LIGHTED FANS</b>					
TF80	80	58	0.4	25.0	Yes
TF110	110	100	0.9	33.0	No
TF150	150	130	1.1	43.2	No
<b>LIGHTED FANS</b>					
TF80L	80	58	0.4	25.0	No
TF110L	110	100	0.9	33.0	No

MODEL	DIMENSIONS IN INCHES*					
	DUCT DIA.	GRILLE SIZE	HOUSING SIZE			WT LBS
			L	W	H	
<b>NON-LIGHTED FANS</b>						
TF80	4 & 6	13 x 14	11.375	10.5	7.625	5.0
TF110	4 & 6	13 x 14	11.375	10.5	7.625	5.0
TF150	6	13 x 14	11.375	10.5	7.625	5.0
<b>LIGHTED FANS</b>						
TF80L	4 & 6	13 x 14	11.375	10.5	7.625	5.0
TF110L	4 & 6	13 x 14	11.375	10.5	7.625	5.0

\*DO NOT USE FOR CONSTRUCTION

CONSULT FACTORY FOR CERTIFIED PRINTS



# BATHROOM FANS & KITS

## CF BATHROOM EXHAUST FANS

CF Bathroom Exhaust Fans come complete with a clean and simple grille design, suitable for all interiors. The built-in damper prevents a backdraft, keeping tempered air in a home when the fan is not operating.

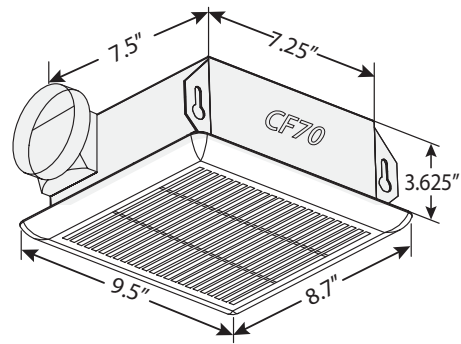
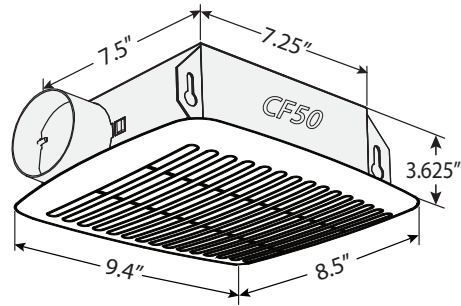
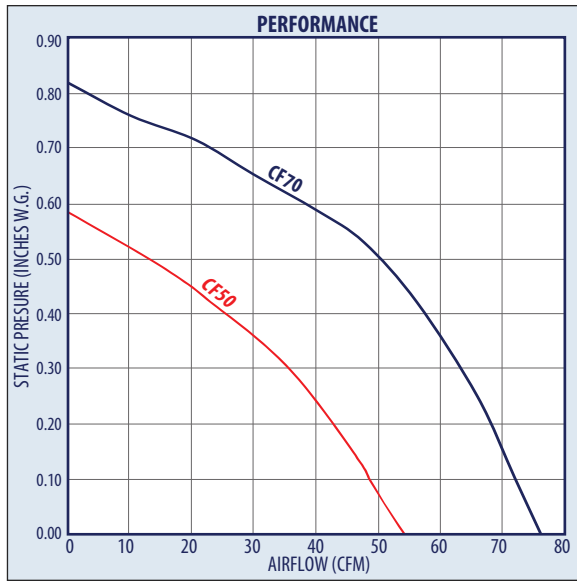
### FEATURES & BENEFITS

- Clean, simple grille design
- Galvanized steel housing
- Easy installation
- Double hanger mounting brackets adjust up to 24" span
- Built-in backdraft damper
- Efficient AC motor
- 120 V, 60 Hz operation
- Automatic reset thermal overload protection
- Contractor packages available (6 units per box)
- Available to fit duct sizes 3" & 4"



### ACCESSORIES / OPTIONS

- Controls - pages 36-37
- Accessories - pages 38-39



MODEL	PERFORMANCE		
	SONES	WATTS	CFM @ 0.1" SP
CF50	3.5	51	50
CF70	3.5	63	70

MODEL	DIMENSIONS IN INCHES*				
	DUCT DIA.	GRILLE SIZE	HOUSING SIZE		
			L	W	H
CF50	3	9.4 X 8.5	7.25	7.5	3.625
CF70	4	9.5 X 8.7	7.25	7.5	3.625

\*DO NOT USE FOR CONSTRUCTION

CONSULT FACTORY FOR CERTIFIED PRINTS



## AEROFAN BATHROOM FANS

Whisper-quiet, two-speed operation sets the AeroFan apart from the competition. These traditional in-ceiling fans are engineered to provide superior ventilation and efficient performance, delivering powerful, effective and quiet ventilation for any bathroom.

### FEATURES & BENEFITS

- 2 - speed operation
- Steel housing with corrosion resistant finish
- Long-life ball bearing condenser motor
- Power rating is 120V / 60 Hz
- Thermal overload protection
- Built-in counterbalanced damper
- Adjustable mounting brackets
- Designed for easy installation
- UL Listed for use over a tub/shower enclosure with a GFCI circuit (selected units only)
- Fits 4" & 5" ducts

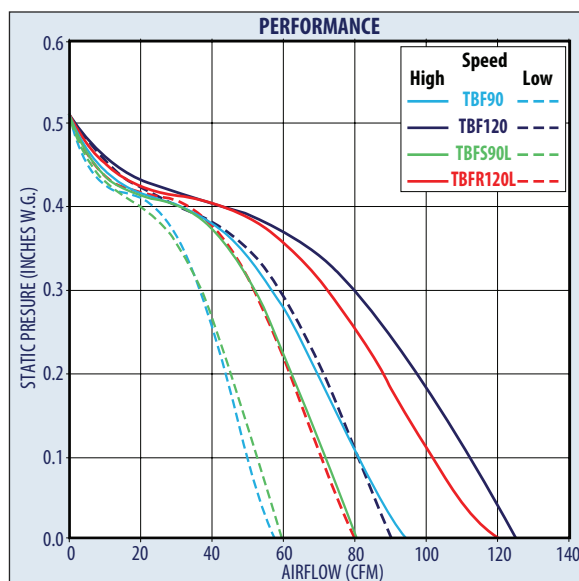


### ACCESSORIES / OPTIONS

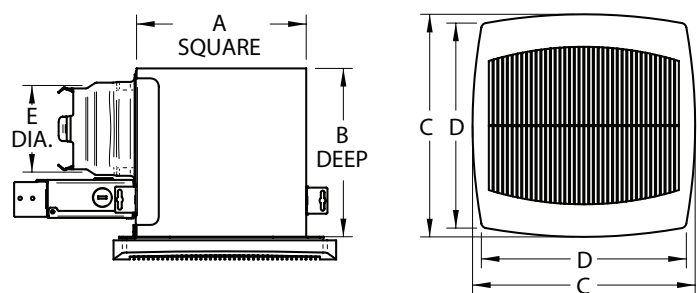
- Controls - pages 36-37
- Decorative grilles - page 38
- Accessories - pages 38-39

MODEL	OPERATING SPEED	PERFORMANCE							TUB/SHOWER MOUNTING*
		CFM	SONES	RMP	AMPS	WATTS			
						FAN	LAMP	NIGHT-LIGHT	
NON-LIGHTED FANS									
TBF90	Low	50	0.9	750	0.2	21.1	n/a	n/a	Yes
	High	80	2.0	1050	0.2	26.1	n/a	n/a	
TBF120	Low	80	1.0	775	0.3	31.9	n/a	n/a	Yes
	High	110	2.0	1050	0.3	35.4	n/a	n/a	
LIGHTED FANS									
TBFS90L	Low	50	0.6	750	0.2	19.6	26	4	No
	High	70	1.5	1050	0.2	23.4	26	4	
TBF120L	Low	70	0.8	775	0.3	32.3	26	4	Yes
	High	100	2.0	1050	0.3	34.7	26	4	

\*THESE FANS ARE ACCEPTABLE FOR USE OVER A BATHTUB OR SHOWER ENCLOSURE WHEN INSTALLED IN A GFCI PROTECTED CIRCUIT.



PERFORMANCE DATA AT 0.1" SP AS PER HVI.



MODEL	DIMENSIONS IN INCHES*					SHIP WT (LBS) 1-unit / 4-units
	A	B	C	D	E	
TBF90	8.0	8.0	10.3	9.4	4" & 5"	10 / 41
TBF120	9.5	8.0	11.8	10.8	4" & 5"	11 / 45
TBFS90L	8.0	8.5	10.3	9.4	4" & 5"	11 / 45
TBF120L	9.5	8.5	11.8	10.8	4" & 5"	13 / 53

\*DO NOT USE FOR CONSTRUCTION

CONSULT FACTORY FOR CERTIFIED PRINTS



# BATHROOM FANS & KITS

## COMMERCIAL TF 200 TRANQUIL BATHROOM FAN

TF200 bathroom fan offers higher air delivery for commercial applications. The built-in backdraft damper prevents outside air from entering and keeps tempered air inside a room when the fan is not operating.

### FEATURES & BENEFITS

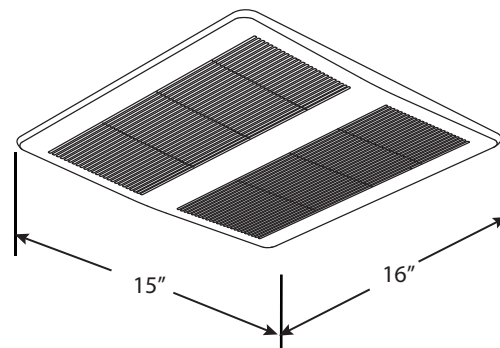
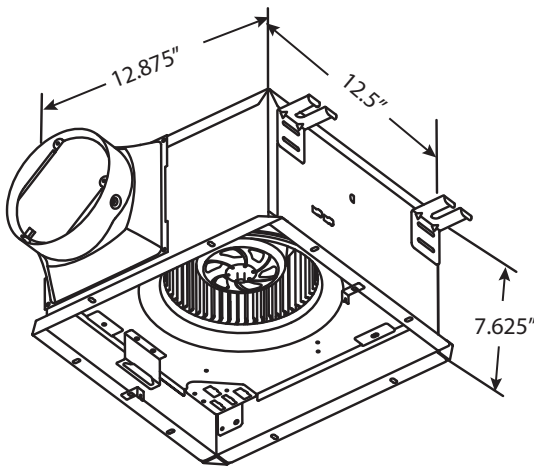
- Superior ventilation & efficient performance
- Clean, simple grille design
- Galvanized steel housing w/corrosion resistant finish
- Easy installation
- Install to joist with included hanger brackets & vibration isolators
- Built-in backdraft damper
- Efficient AC motor
- 120V, 60 Hz operation
- Automatic reset thermal overload protection
- Fits 6" duct



### ACCESSORIES / OPTIONS

- Controls - pages 36-37
- Accessories - pages 38-39

MODEL	MANUFACTURE CODE	PERFORMANCE			
		CFM 0.1" SP	SONES	WATTS	POWER SUPPLY
TF200	SEC200	220	2.5	31.3	120V / 60 Hz



MODEL	DUCT DIA.	GRILLE SIZE	DIMENSIONS IN INCHES*			WT LBS
			HOUSING SIZE			
			L	W	H	
TF200	6	15 X 16	12.875	12.5	7.625	8.0

\*DO NOT USE FOR CONSTRUCTION

CONSULT FACTORY FOR CERTIFIED PRINTS





## CEF CEILING EXHAUST FANS

CEF Ceiling Exhaust Fans provide the perfect solution for hotels, public restrooms, or any commercial spaces that require continuous ventilation. These ceiling or in-line mount, exhaust fans feature a low profile grille and an integral backdraft damper.

### FEATURES & BENEFITS

- Acoustically insulated galvanized steel housing
- Low profile grille
- Integral backdraft damper
- Easily removable blower assembly
- Horizontal (standard) or vertical discharge
- 8 position mounting brackets
- Anti-vibration mounts isolate motor for smooth operation
- Thermally protected fan motor



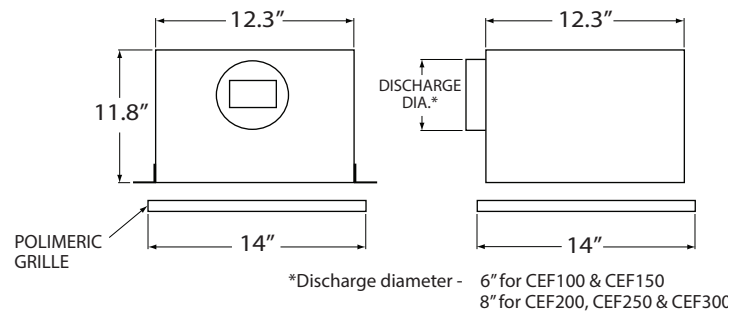
### ACCESSORIES / OPTIONS

- Variable speed control
- Time delay switch
- In-line kit (CEF400 & larger)
- Radiation damper
- Roof & wall caps
- Square to round discharge transition

### MODELS CEF100 THRU CEF300

MODEL	WATTS	RPM*	CFM 0.125" SP	DUCT DIA.	WT LBS
CEF100	88	640 / 650	109	6"	23
CEF150	96	710 / 750	157	6"	23
CEF200	124	740 / 760	210	8"	23
CEF250	160	830 / 860	259	8"	23
CEF300	204	935 / 950	308	8"	24

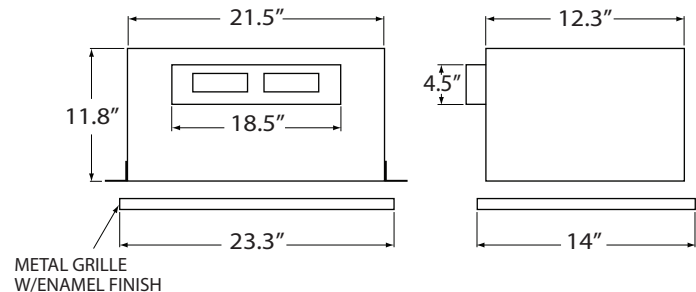
\*RPM shown is horizontal / vertical discharge at 0.125".



### MODELS CEF400 & CEF700

MODEL	WATTS	RPM*	CFM 0.125" SP	DUCT DIA.	WT LBS
CEF400	137	735 / 755	434	18.5" x 4.5"	34
CEF700	298	960 / 985	701	18.5" x 4.5"	34

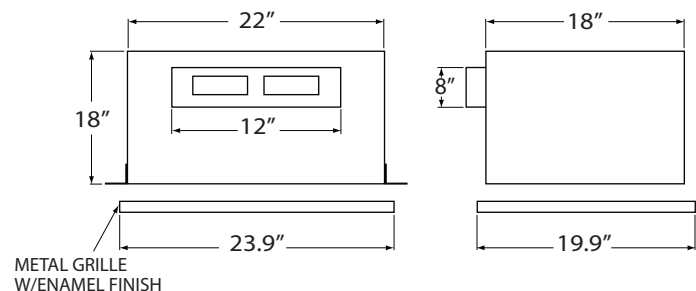
\*RPM shown is horizontal / vertical discharge at 0.125".



### MODELS CEF900 & CEF1500

MODEL	WATTS	RPM*	CFM 0.125" SP	DUCT DIA.	WT LBS
CEF900	261	650 / 675	901	12" x 8"	65
CEF1500	436	955 / 955	1513	12" x 8"	65

\*RPM shown is horizontal / vertical discharge at 0.125".



\*DO NOT USE FOR CONSTRUCTION  
CONSULT FACTORY FOR CERTIFIED PRINTS

VISIT OUR WEBSITE FOR COMPLETE PERFORMANCE DATA

# ENERGY RECOVERY VENTILATORS

## ECO-FLO ENERGY RECOVERY VENTILATOR (ERV)

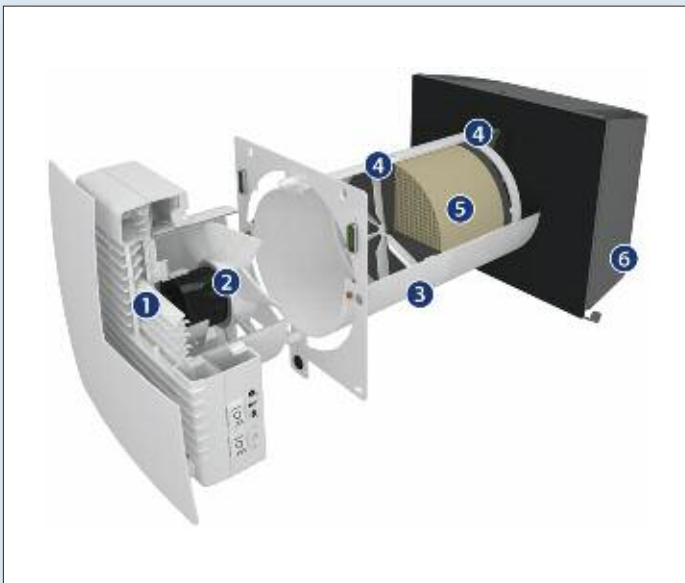
The ECO-FLO Energy Recovery Ventilator (ERV) is the all-in-one ventilation solution for new construction and renovation projects involving homes, apartments, offices, or commercial buildings. This compact unit is capable of exhausting stale air and supplying fresh filtered air. The ERV core extracts thermal energy and moisture from the exhausted air, and uses it to pre-treat the incoming supply air.

### FEATURES & BENEFITS

- Extracts stale indoor air
- Recovers thermal energy from extracted air
- Supplies fresh, pre-treated air
- Maintains a comfortable humidity setting
- Moisture damage prevention
- Lowers heating and cooling costs throughout the year
- Low energy demand (5.61 W)
- Quiet operation (as low as 0.2 SONES)
- Multifunctional wireless remote control
- Plug-&-Play installation
- Air purification (MERV 6)
- Rated for continuous operation



### CONSTRUCTION



1. Front Grille with Automatic Shutter
  - Easy access for filter cleaning or replacement
  - Made of high quality snow-white ABS plastic
2. Reversible Axial Fan
  - Efficient EC ball bearing motor (5.7 cfm/W)
  - Integrated overheating protection
3. Telescopic Duct
  - 6" diameter
  - Suitable for walls of varying thickness
4. Air Filters (MERV 6)
  - Two filters provide air free of dust & pollen
  - Filters are washable for easy maintenance
5. ERV Core
  - Recovery efficiency of 90% @ 32 F
  - Anti-bacterial treatment
6. Exterior-Mounted Hood
  - Stainless steel
  - Corrosion proof


### APPLICATIONS

	One ECO-FLO Unit	Synchronous Pair	Multiple Units
Maximum Ventilation	343 square feet	686 square feet	Entire home or commercial building




## OPERATION MODES


### Natural Airflow

-  Shutter is open; fan does not run.
- Air flows freely through ventilator and is purified by filters.


### Supply Mode

-  Ventilator continuously draws in fresh air from outside.
- Air is purified by the filters.

### Ventilation Mode

-  Ventilator operates in permanent supply or extract mode.
- Synchronized units can provide balanced ventilation.

### Regeneration Mode

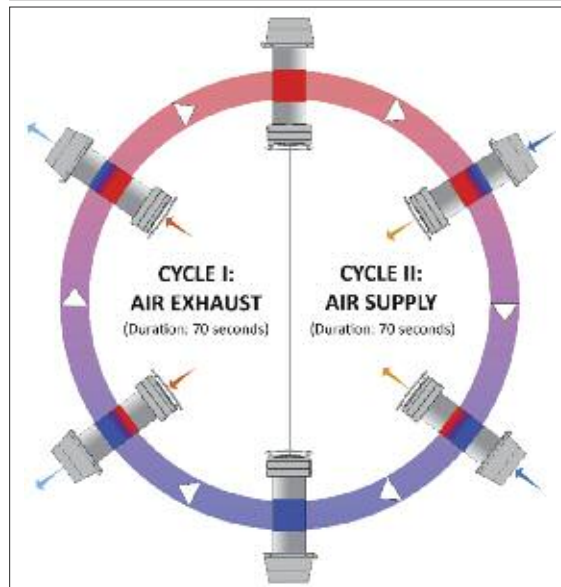
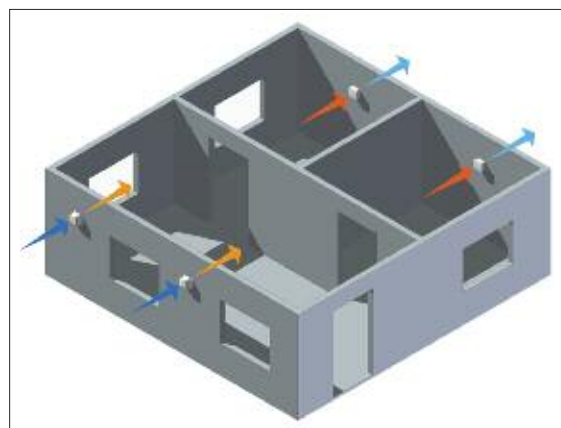
-  Ventilator alternates between supply and exhaust every 70 seconds.
- Thermal energy is recovered, and the humidity setting is maintained.

### Cycle I

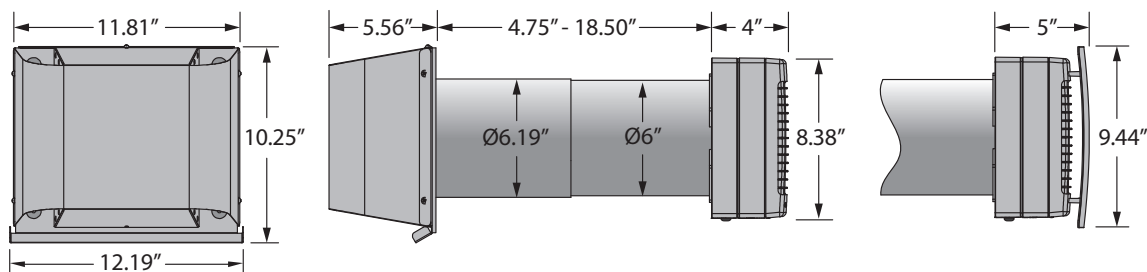
Warm stale air is extracted from the room. It heats and moisturizes the ERV core, transferring up to 90% of thermal energy. In 70 seconds, the ventilator switches to supply mode.

### Cycle II

Fresh outside air flows through the ventilator, absorbing the accumulated moisture and thermal energy in the ERV core and supplying warmed air into the room. In 70 seconds, the ventilator switches back to extraction mode.



## SPECIFICATIONS



MODEL	MANUFACTURE CODE	THERMAL RECOVERY	PERFORMANCE						TRANSPORTED AIR TEMP. (F)	POWER SUPPLY
			SPEED	RPM	SONES @ 3M	WATTS	AMPS	CFM		
ECO-FLO	RA1-50-2	90%	Low	610	0.2	3.80	0.024	8	From -4 up to 122	120 V 60 Hz 1 Phase
			Med	800	0.4	3.96	0.026	16		
			High	1450	0.5	5.61	0.039	32		

IP24 protection

## CX AIR PURIFIERS

CX Air Purifiers are the most advanced in the world, dealing with all facets of air purification:

### Particle Removal Chemical Neutralization Living Organism Abatement

Using patented technology, CX Air Purifiers remove airborne particles, neutralize odors and chemicals, and render germs, viruses and bacteria harmless.



#### CX Air Purifiers:

- Create a cleaner environment
- Alleviate fatigue & headaches
- Reduce asthma, hay fever & sinus problems
- Cut dust & cleaning requirements
- Promote health & wellness
- Ease breathing problems
- Control pet odors & dander
- Relieve sore throats, runny noses & sneezing

#### Photo-Catalytic Oxidation

CX Air Purifiers incorporate patented Photo-Catalytic Oxidation technology, using UVC light to activate a highly reactive catalyst. This process converts harmful and toxic compounds into benign constituents, such as water and carbon dioxide.

#### Easy Maintenance

CX Air Purifiers are designed for easy maintenance to ensure peak performance at all times. Built-in electronic service lights indicate when filters and UVC lamps require replacement.

#### Electronic Sensor

CX1000 Portable Air Purifiers feature an electronic sensor that constantly monitors air quality. Airflow automatically increases to compensate for periods of unusually high chemical activity or particle count. Warning lights signal the presence of toxic chemicals and fumes well before they reach dangerous levels or become detectable to the human senses.

MODEL	CX1000 Portable Air Purifier	CX3000GS Ducted Air Purifier
DIMENSIONS	21.3" w x 19.0" h x 8.0" d	25.5" w x 21.0" h x 10.0" d
WEIGHT	23 lbs.	26 lbs.
MAXIMUM AIRFLOW	265 cfm	2,170 cfm
POWER CONSUMPTION	110 watts	45 watts
VOLTAGE	1/120V/60	1/120V/60
BLOWER	Backward-curved motorized impeller	N/A
UVC LAMP(S)	10 watts	(2) 22 watts per bulb (44 watts total)
MICROWATTS AT SURFACE PER CM <sup>2</sup>	16,000	21,000
MICROWATTS @ 1'	540	1,125
UV RANGE	254 NM (germicidal)	254 NM (germicidal)
FILTERS	5 micron pre-filter; 0.3 micron hospital grade HEPA filter	Electrostatic needled fiber MERV-11
1ST STAGE GAS TREATMENT LAYER	Activated carbon	N/A
2ND STAGE GAS TREATMENT LAYER	Activated carbon	N/A
APPLICATION	1,000 sq. ft. (automode)	3,000 sq. ft.
SERVICE INTERVAL*	UVC lamp 1 year, filters 2 years	UVC lamp 1 year, filters 6 months
CATALYST	Metal Oxides	Metal Oxides
WARRANTY	2 years excluding lamp and filters	2 years excluding lamps and filters

\*SERVICE INTERVALS ARE SUBJECTIVE TIMES AND MAY FLUCTUATE BASED ON ENVIRONMENT.

## CX1000 PORTABLE AIR PURIFIER

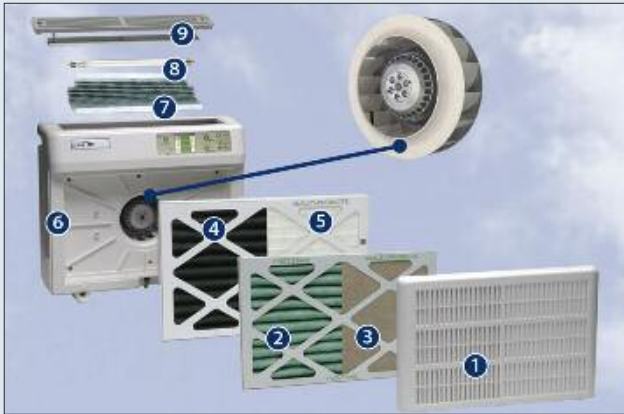
The CX1000 Portable Air Purifier is designed to remove airborne particles, neutralize chemicals, and abate living organisms.

CX1000 Portable Air Purifier uses a five-stage process to purify indoor air:

1. Treated Pre-Filter - Removes Particles to 5 Microns
2. Activated Carbon Filters (2) - Reduce Toxic Chemicals and Gases
3. Hospital Grade HEPA Filter - Purges Allergens to 0.3 Microns
4. Reactive Catalyst - Neutralizes VOC's, Toxic Chemicals, and Odors
5. UVC Light - Renders Germs, Viruses, and Bacteria Harmless



### CX1000 PORTABLE AIR PURIFIER



1. Air inlet grille with safety lock
2. Pre-filter
3. 1st stage gas adsorption layer
4. 2nd stage gas adsorption layer
5. Hospital grade HEPA filter
6. High impact ABS plastic
7. Photo-catalytic converter
8. High output germicidal UVC lamp
9. Air outlet grille with safety lock

## CX3000GS DUCTED AIR PURIFIER

The CX3000GS Ducted Air Purifier is rated for use at standard ambient air temperatures and designed to operate with any heating or air-conditioning system, up to five tons in size.

CX3000GS Ducted Air Purifier uses a four-stage process to purify indoor air:

1. Electrostatic MERV-11 Filter - Removes Allergens to 0.3 Microns
2. Reactive Catalyst - Neutralizes VOC's, Toxic Chemicals, and Odors
3. UVC Light - Renders Germs, Viruses, and Bacteria Harmless
4. Negative Ions and Activated Oxygen - Keep Air Fresh and Clean



### CX3000GS DUCTED AIR PURIFIER



1. Electrostatically charged needled fiber MERV-11 filter
2. Powder coated Paint-Loc steel case
3. High output germicidal UVC lamps
4. Rust-proof gold zinc plated pull out case
5. Cabinet locks
6. Quick disconnect power cord
7. Photo-catalytic converter - 70 sq. ft. of surface area
8. Sight ports to verify lamp operation
9. Computerized service panel

# WALL FANS

## PEF, GEF, SEF WALL FANS

Continental Fan's Wall Exhaust Fans are designed for through the wall general ventilation applications. They provide a compact, cost effective ventilation solution for warehouses, equipment cooling, mechanical rooms, factories, and more.

### FEATURES & BENEFITS

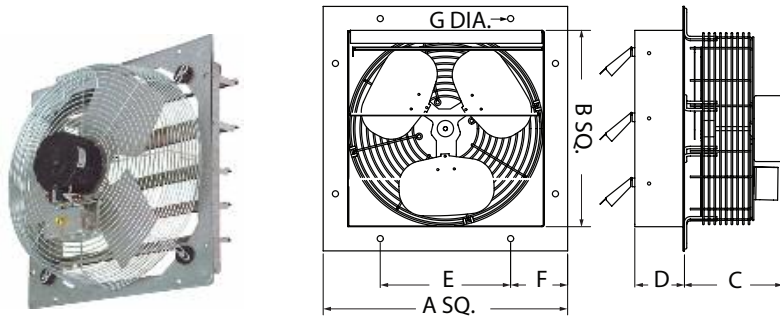
- Suitable for through the wall installation
- 2 or 3 speed operation, pull chain switch
- 120 VAC single phase 60 Hz operation
- UL/CSA approved motor
- Totally enclosed permanently lubricated motor
- External junction box
- Aluminum fan blades
- Galvanized frame (SEF model only)
- Painted steel panel (PEF model only)
- Plated steel spiral wire guard
- Mounts directly to inside wall
- Sizes: 10" to 30"; capacities to 3950 cfm

### ACCESSORIES / OPTIONS

- WS wall shutter for models PEF & GEF
  - Aluminum blades; galvanized steel frame

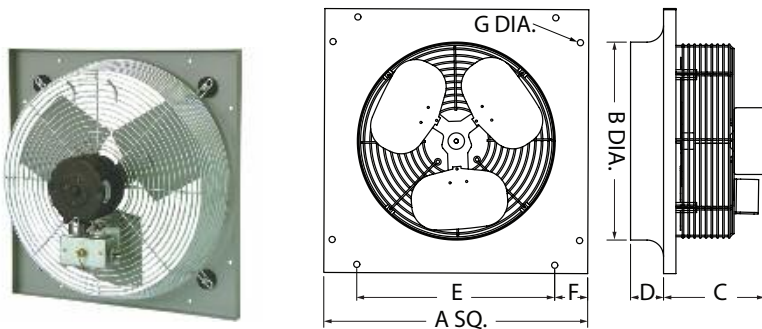
FAN SIZE	MTR HP	AMPS (HIGH)	AIRFLOW PERFORMANCE (CFM)		
			HIGH	MEDIUM	LOW
10	1/12	1.0	680	540	460
12	1/12	1.1	825	710	560
14	1/8	2.0	1520	1400	1250
16	1/8	2.1	2100	1900	1700
18	1/8	2.2	2300	2100	1850
20	1/4	2.3	2925	N/A	2380
24	1/4	2.5	3400	N/A	2770
30	1/4	2.7	3950	N/A	3080

### SEF SHUTTER MOUNT FAN



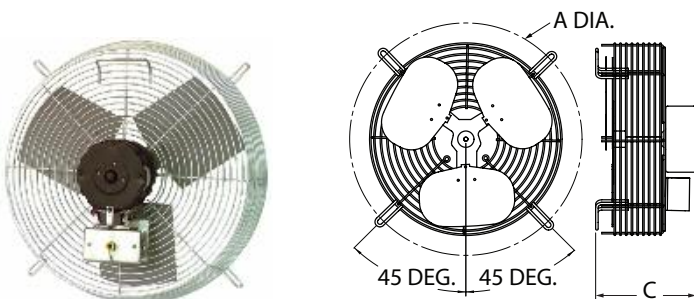
MODEL	DIMENSIONS IN INCHES*							WT (LBS)
	A	B	C	D	E	F	G	
SEF-10	13.0	10.1	6.1	2.5	6.0	3.5	0.3	11
SEF-12	15.0	12.1	7.1	2.5	8.0	3.5	0.3	16
SEF-14	17.0	14.1	7.9	2.5	10.0	3.5	0.3	17
SEF-16	19.0	16.1	7.9	2.5	12.0	3.5	0.3	18
SEF-18	21.0	18.1	7.6	2.5	14.0	3.5	0.3	25
SEF-20	23.0	20.1	9.4	2.5	16.0	3.5	0.3	34
SEF-24	27.0	24.1	9.9	2.5	20.0	3.5	0.3	47
SEF-30	33.0	30.1	9.9	3.0	26.0	3.5	0.3	54

### PEF PANEL MOUNT FAN



MODEL	DIMENSIONS IN INCHES*							WT (LBS)
	A	B	C	D	E	F	G	
PEF-10	12.5	10.3	6.1	1.0	3.8	4.4	0.3	11
PEF-12	14.5	12.3	7.1	1.0	5.8	4.4	0.3	17
PEF-14	17.0	14.3	7.9	1.5	8.3	4.4	0.3	17
PEF-16	19.0	16.3	7.9	1.9	10.3	4.4	0.3	18
PEF-18	21.0	18.1	7.6	1.8	12.3	4.4	0.3	26
PEF-20	23.0	20.3	9.4	1.8	14.3	4.4	0.3	34
PEF-24	28.0	24.3	9.9	2.5	18.3	4.4	0.3	48
PEF-30	34.0	30.3	9.9	2.5	24.3	4.4	0.3	55

### GEF GUARD MOUNT FAN



MODEL	DIMENSIONS IN INCHES*		WT (LBS)
	A	C	
GEF-10	14.1	5.8	11
GEF-12	16.4	6.8	12
GEF-14	18.2	7.6	17
GEF-16	20.3	7.6	18
GEF-18	22.6	7.3	19
GEF-20	25.4	9.1	34
GEF-24	29.0	9.6	38
GEF-30	34.8	9.6	42

\*DO NOT USE FOR CONSTRUCTION

CONSULT FACTORY FOR CERTIFIED PRINTS

## RMD DIRECT DRIVE AXIAL EXHAUST FANS

RMD Axial Exhaust Fans are suitable for roof or wall mounting in commercial ventilation applications. They are the perfect low-cost choice for areas that have little or no ductwork.

### FEATURES & BENEFITS

- Suitable for roof or wall mounting
- Axial impellers constructed with die formed blades riveted to a steel hub
- Spun aluminum housing for weather-resistant durability
- Wire conduit provides a clear channel for electrical connections
- Bird screen
- Totally enclosed, permanently lubricated, ball bearing motor
- Disconnect switch
- 110 F max. temperature rating
- Available in 115V 1 phase
- Diameters range from 10" to 18"
- Direct drive capacities to 2,400 cfm



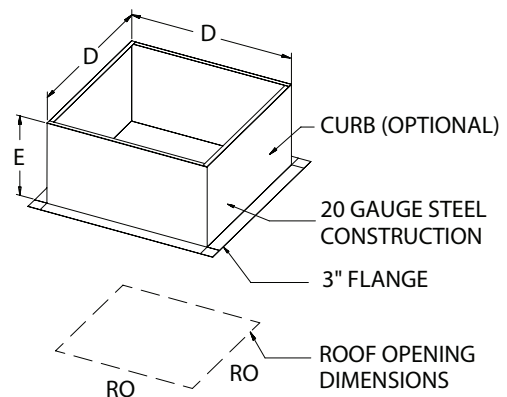
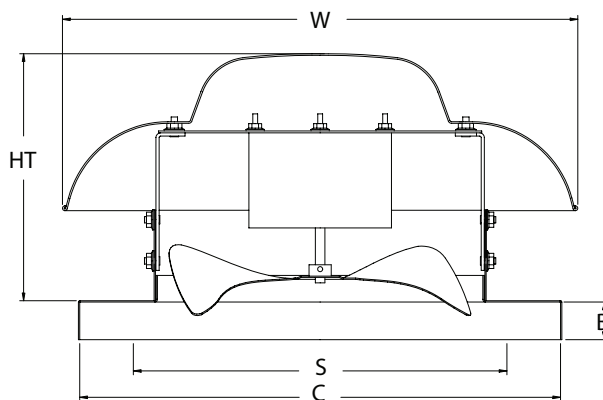
### APPLICATIONS

- General ventilation
- Mechanical room exhaust
- Warehouse exhaust

### ACCESSORIES / OPTIONS

- Gravity & motorized dampers
- Wall mount brackets
- Roof curb

MODEL	RPM	MTR HP	FLA	AIRFLOW PERFORMANCE (CFM)							
				0" SP	0.125" SP	0.25" SP	0.375" SP	0.50" SP	0.625" SP	0.75" SP	0.875" SP
RMD-10	1500	1/30	1.1	500	339	267	173	-	-	-	-
RMD-12	1500	1/10	1.2	830	710	620	522	436	357	270	-
RMD-14	1100	1/6	2.2	1160	899	786	646	521	384	236	-
RMD-18	1100	1/3	4.5	2400	2034	1628	1491	1293	1084	881	662



MODEL	DIMENSIONS IN INCHES*							WT (LBS)	DAMPER SQUARE	MANUFACTURE CODE
	HT	W	B	C	D	E	RO			
RMD-10	9.8	18.3	2	19	17.5	12	13	24	12	DDAR10
RMD-12	10.8	20.3	2	19	17.5	12	13	32	12	DDAR12
RMD-14	12.6	27.3	2	21	19.5	12	16	45	15	DDAR14
RMD-18	14.4	33.6	2	26	24.5	12	20	67	19	DDAR18

\*DO NOT USE FOR CONSTRUCTION

CONSULT FACTORY FOR CERTIFIED PRINTS

# ROOF & WALL EXHAUST FANS

## CDB BELT DRIVE DOWNBLAST FANS

CDB Fans provide quiet, belt drive operation, within a weather-resistant spun aluminum housing. These commercial / light industrial fans are ideal for applications in schools, hospitals, office buildings, and much more.

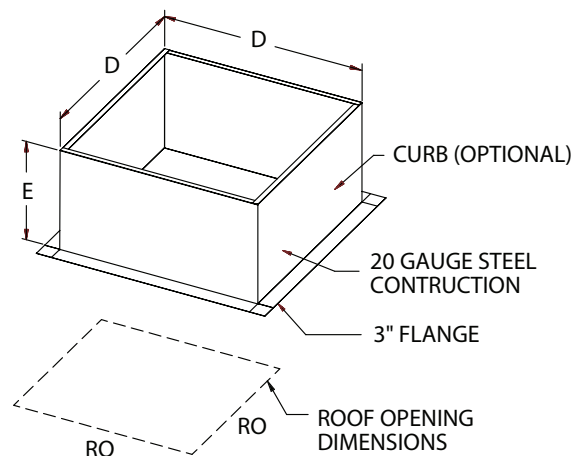
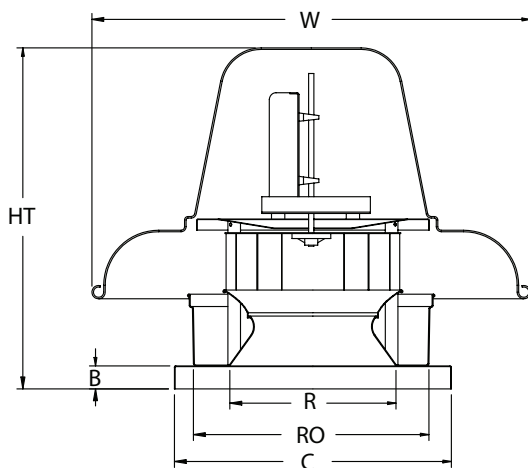
### FEATURES & BENEFITS

- Suitable for roof or wall mount (up to model CDB-24/2HP)
- Backward inclined, non-overloading wheels
- Spun aluminum housing for weather-resistant durability
- Fully ventilated motor cooling compartment for long motor life
- Quick release latches for easy access to motor compartment
- Blades and inlets fabricated from aluminum
- Variable pitch motor pulley allows for field adjustment and system balancing
- High efficiency wheels and low tip speeds result in quiet operation
- Disconnect switch
- Bird screen
- Vibration isolation
- 110 F max. temperature rating
- Available in the following voltages:
  - o 115-208/230V 1 phase
  - o 208/230V 1 phase
  - o 208/230-460V 3 phase
  - o 575V 3 phase



### ACCESSORIES / OPTIONS

- Gravity & motorized dampers
- Wall mount brackets
- Roof curb



MODEL	DIMENSIONS IN INCHES*									WT (LBS)	MANUFACTURE CODE
	HT	W	B	C	D	E	R	RO			
CDB-07	25.0	26.3	2	21.0	19.5	12	12.1	16	90	BDCR7	
CDB-08	25.0	26.3	2	21.0	19.5	12	12.1	16	90	BDCR8	
CDB-09	25.0	26.3	2	21.0	19.5	12	12.1	16	90	BDCR9	
CDB-11	25.0	26.3	2	21.0	19.5	12	12.1	16	105	BDCR11	
CDB-13	26.8	29.6	2	21.0	19.5	12	13.3	16	105	BDCR13	
CDB-15	30.6	33.3	2	24.8	23.0	12	14.9	20	130	BDCR15	
CDB-18	32.8	38.9	2	28.0	26.5	12	16.5	24	190	BDCR18	
CDB-20	32.3	38.9	2	28.0	26.5	12	18.0	24	195	BDCR20	
CDB-24	37.3	43.4	2	33.0	31.5	12	23.9	28	215	BDCR24	
CDB-30	44.0	52.8	2	40.0	38.5	12	24.0	36	380	BDCR30	
CDB-36	49.6	63.3	2	44.0	42.5	12	25.3	40	470	BDCR36	

\*DO NOT USE FOR CONSTRUCTION

CONSULT FACTORY FOR CERTIFIED PRINTS



## CDB BELT DRIVE DOWNBLAST FANS

PERFORMANCE														
CFM	0" SP		0.25" SP		0.50" SP		0.75" SP		1" SP		1.25" SP		1.50" SP	
	RPM	BHP	RPM	BHP	RPM	BHP	RPM	BHP	RPM	BHP	RPM	BHP	RPM	BHP
CDB-07														
350	693	0.02	975	0.05	1182	0.09	1362	0.13						
450	891	0.03	1128	0.07	1316	0.12								
CDB-08														
500	687	0.02	916	0.05	1101	0.09	1266	0.13						
700	962	0.05	1133	0.09	1289	0.14								
900	1235	0.10												
CDB-09														
700	925	0.06	1127	0.13	1292	0.20								
800	1055	0.10	1235	0.17										
900	1187	0.14	1345	0.21										
1000	1319	0.19												
CDB-11														
900	979	0.07	1166	0.13	1331	0.20	1475	0.27						
1100	1196	0.12	1350	0.20	1499	0.28								
1300	1413	0.20	1542	0.29										
1500	1630	0.31												
CDB-13														
1100	680	0.04	847	0.10	994	0.16	1143	0.23						
1300	803	0.07	950	0.13	1075	0.20	1200	0.28	1327	0.36				
1700	1049	0.15	1169	0.23	1272	0.32	1367	0.41	1462	0.50				
2100	1296	0.28	1396	0.38	1484	0.49								
CDB-15														
1600	619	0.06	765	0.13	901	0.22	1028	0.32	1146	0.42	1257	0.54	1363	0.67
2400	928	0.20	1027	0.30	1124	0.42	1218	0.55	1308	0.67				
3200	1237	0.47	1312	0.61	1386	0.75								
CDB-18														
2000	510	0.09	622	0.19	722	0.29	825	0.42	930	0.58				
2800	714	0.24	800	0.37	874	0.51	945	0.66	1017	0.82	1089	0.99		
3600	918	0.52	988	0.68	1049	0.86								
4400	1122	0.94												
CDB-20														
3000	523	0.14	614	0.27	707	0.43	796	0.59	883	0.78				
4000	697	0.34	764	0.51	834	0.69	904	0.89						
5000	872	0.67	924	0.87										
CDB-24														
3000	317	0.07	434	0.22	542	0.41	641	0.64	734	0.89	819	1.16		
5000	527	0.34	597	0.56	670	0.82	739	1.10	805	1.40	868	1.72		
7000	738	0.93	786	1.23	838	1.56	891	1.92						
9000	949	1.98												
CDB-30														
7500	457	0.67	504	1.01	547	1.34	592	1.71	639	2.12	683	2.55	724	2.98
9500	579	1.36	618	1.81	652	2.21	685	2.63						
11500	700	2.41	735	2.97										
CDB-36														
11000	375	0.86	418	1.38	459	1.91	501	2.49	543	3.11	586	3.79	628	4.51
15000	511	2.17	544	2.89	574	3.59	604	4.31						
19000	647	4.41												

# ROOF & WALL EXHAUST FANS

## CDD DIRECT DRIVE DOWNBLAST FANS

CDD Fans provide quiet, direct drive operation, within a weather-resistant spun aluminum housing. These commercial / light industrial fans are ideal for applications in schools, hospitals, office buildings, and much more.

### FEATURES & BENEFITS

- Suitable for roof or wall mount
- Backward inclined, non-overloading wheels
- Spun aluminum housing for weather-resistant durability
- Wire conduit provides protected channel for electrical connections
- Blades and inlets fabricated from aluminum
- Bird screen
- Disconnect switch
- Variable speed control
- 110 F max. temperature rating
- Available in 115V 1 phase
- Direct drive capacities to 3,300 cfm

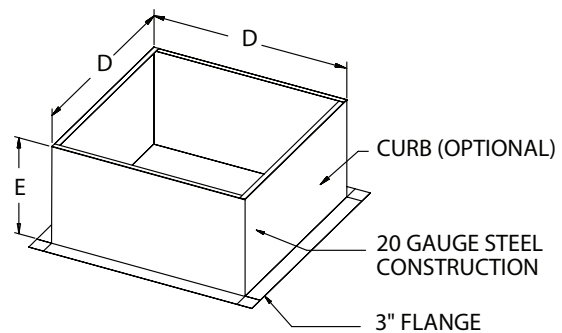
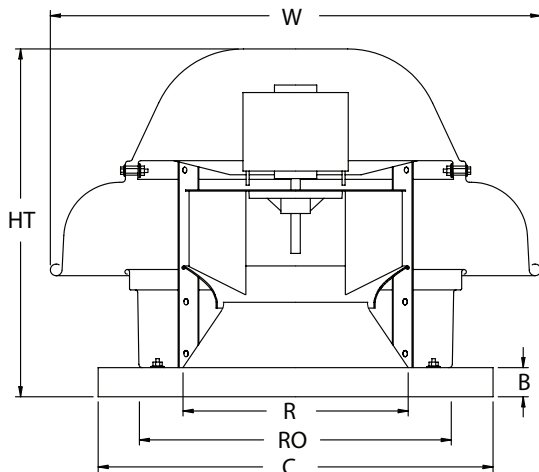


### APPLICATIONS

- General ventilation
- Equipment room ventilation
- Warehouse ventilation

### ACCESSORIES / OPTIONS

- Gravity & motorized dampers
- Wall mount brackets
- Roof curb



MODEL	DIMENSIONS IN INCHES*									DAMPER SQUARE	MANUFACTURE CODE
	HT	W	B	C	D	E	R	RO	WT (LBS)		
CDD-10	14.5	20.8	2	19.0	17.5	12	8.1	13	30	12	DR10H
CDD-12	16.3	23.8	2	19.0	17.5	12	10.6	13	35	12	DR12H
CDD-30	19.1	26.3	2	21.0	19.5	12	12.1	16	45	15	DR30H
CDD-33	19.1	26.3	2	21.0	19.5	12	12.1	16	45	15	DR33H
CDD-50	21.8	29.8	2	21.0	19.5	12	13.3	16	50	15	DR50H
CDD-85	23.4	33.3	2	24.8	23.0	12	14.9	20	60	19	DR85H

\*DO NOT USE FOR CONSTRUCTION

CONSULT FACTORY FOR CERTIFIED PRINTS

## CDD DIRECT DRIVE DOWNBLAST FANS

PERFORMANCE																						
CFM	0" SP		0.125" SP		0.250" SP		0.375" SP		0.50" SP		0.625" SP		0.750" SP		0.875" SP		1.00" SP		1.125" SP		1.250" SP	
	RPM	BHP	RPM	BHP	RPM	BHP	RPM	BHP	RPM	BHP	RPM	BHP	RPM	BHP	RPM	BHP	RPM	BHP	RPM	BHP	RPM	BHP
CDD-10																						
250	786	0.01	1008	0.02	1196	0.03	1374	0.05	1534	0.07												
350	1097	0.03	1268	0.04	1417	0.06	1556	0.07														
450	1411	0.06	1546	0.07																		
CDD-12																						
400	639	0.01	839	0.03	1000	0.04	1143	0.07	1266	0.09	1384	0.12	1493	0.15	1594	0.18						
600	957	0.04	1101	0.06	1230	0.08	1345	0.11	1449	0.14	1550	0.17										
800	1274	0.09	1384	0.12	1490	0.15	1587	0.18														
1000	1592	0.18																				
CDD-30																						
800	926	0.05	1051	0.07	1163	0.09	1258	0.12	1345	0.14	1423	0.17	1495	0.19	1566	0.22						
1000	1157	0.09	1259	0.12	1355	0.14	1443	0.17	1522	0.20	1595	0.24										
1200	1389	0.16	1474	0.19	1556	0.22																
1400	1618	0.25																				
CDD-33																						
600	731	0.03	882	0.05	1014	0.07	1124	0.10	1220	0.12	1307	0.15	1389	0.18	1467	0.22	1538	0.25	1609	0.29	1676	0.32
800	974	0.06	1088	0.09	1201	0.12	1301	0.15	1391	0.19	1473	0.22	1547	0.26	1619	0.29	1688	0.33				
1000	1217	0.12	1307	0.15	1401	0.19	1490	0.23	1572	0.27	1650	0.31										
1200	1460	0.21	1535	0.25	1613	0.29	1690	0.33														
CDD-50																						
1000	666	0.03	792	0.06	895	0.08	986	0.11	1068	0.14	1144	0.17	1214	0.21	1282	0.25	1346	0.28	1406	0.32	1464	0.37
1400	931	0.09	1026	0.13	1112	0.16	1188	0.20	1259	0.23	1325	0.27	1388	0.31	1448	0.35	1504	0.40	1559	0.44	1611	0.49
1800	1197	0.20	1273	0.24	1344	0.28	1410	0.33	1472	0.37	1531	0.42	1586	0.46								
2200	1463	0.36	1524	0.41	1586	0.46																

CFM	0" SP		0.25" SP		0.50" SP		0.750" SP		1.00" SP		1.250" SP		1.50" SP		1.750" SP	
	RPM	BHP	RPM	BHP	RPM	BHP	RPM	BHP	RPM	BHP	RPM	BHP	RPM	BHP	RPM	BHP
CUD-85																
1500	705	0.06	893	0.13	1038	0.20	1161	0.29	1271	0.38	1372	0.47	1466	0.58	1556	0.69
1900	892	0.13	1049	0.21	1180	0.30	1293	0.39	1394	0.50	1488	0.60	1575	0.71		
2300	1080	0.23	1212	0.33	1331	0.43	1436	0.54	1529	0.65						
2700	1268	0.37	1382	0.48	1488	0.60	1585	0.73								
3100	1455	0.56	1555	0.69												

# ROOF & WALL EXHAUST FANS

## CUB BELT DRIVE UPBLAST FANS

CUB Belt Drive Upblast Exhaust Fans are designed to discharge contaminated exhaust air away from roof surfaces and building walls. Available in UL762 Restaurant Exhaust Kits, CUB fans are suitable for commercial range hood exhaust and much more.

### FEATURES & BENEFITS

- Suitable for roof or wall mount (up to model CUB24/2HP)
- Backward inclined, non-overloading wheels
- Spun aluminum housing for weather-resistant durability
- Fully ventilated motor cooling compartment for long motor life
- Quick release latches for easy access to motor compartment
- Blades and inlets fabricated from aluminum
- Variable pitch motor pulley allows for field adjustment and system balancing
- High efficiency wheels and low tip speeds result in quiet operation
- Disconnect switch
- Fully welded leak-proof grease drain
- 300 F max. temperature rating
- Available in the following voltages:
  - 115V 1 phase
  - 208/230V 1 phase
  - 208/230-460V 3 phase
  - 575V 3 phase



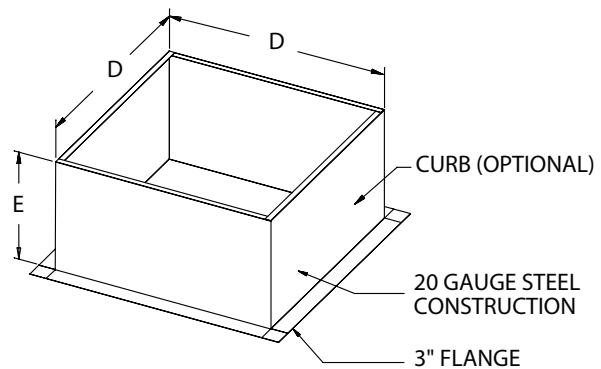
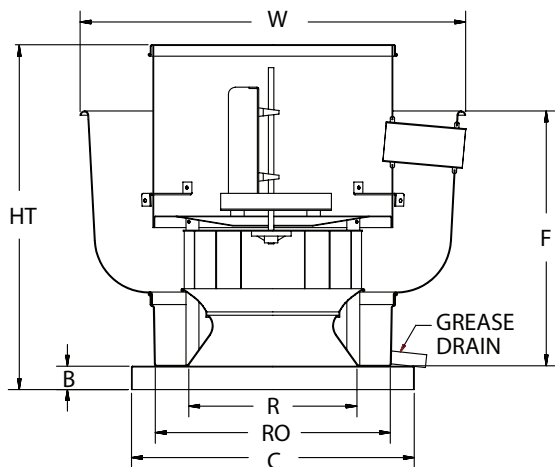
### ACCESSORIES / OPTIONS

- Gravity damper (UL705 only)
- Bird screen (UL705 only)
- Motorized damper (UL705 only)
- Wall mount brackets
- Roof curb (vented or non-vented)

### RESTAURANT EXHAUST KITS (UL762)

- Kits include the following:
  - Grease cup
  - Grease pipe
  - Down spout
  - Hinge kit

Note: Restaurant exhaust (UL762) requires the use of a vented roof curb. Select 20" high roof curbs are available.



DIMENSIONS IN INCHES*												
MODEL	HT	W	B	C	D	E	F	R	RO	WT (LBS)	DAMPER SQUARE	MANUFACTURE CODE
CUB-11	25.3	27.3	2	21.0	19.5	22	18.5	12.1	16	105	15.0	BDU11
CUB-13	27.3	30.3	2	21.0	19.5	20	21.5	13.3	16	120	15.0	BDU13
CUB-15	30.6	33.8	2	24.8	23.0	20	23.0	14.9	20	140	19.0	BDU15
CUB-18	33.9	39.4	2	28.0	26.5	20	23.5	16.5	24	190	23.0	BDU18
CUB-20	33.5	38.9	2	28.0	26.5	20	29.5	18.0	24	195	23.0	BDU20
CUB-24	37.5	43.4	2	33.0	31.5	20	30.6	23.9	28	270	27.0	BDU24
CUB-30	40.0	52.8	2	40.0	38.5	20	33.5	24.0	36	410	35.0	BDU30
CUB-36	49.5	66.0	2	44.5	43.0	20	47.5	30.8	36	470	35.5	BDU36

\*DO NOT USE FOR CONSTRUCTION

CONSULT FACTORY FOR CERTIFIED PRINTS

## CUB BELT DRIVE UPBLAST FANS

PERFORMANCE																			
CFM	0" SP		0.25" SP		0.50" SP		0.75" SP		1" SP		1.25" SP		1.50" SP		1.75" SP		2" SP		
	RPM	BHP	RPM	BHP	RPM	BHP	RPM	BHP	RPM	BHP	RPM	BHP	RPM	BHP	RPM	BHP	RPM	BHP	
CUB-11																			
800	831	0.04	1061	0.09	1238	0.14	1399	0.20	1547	0.26	1688	0.33							
1000	1038	0.07	1235	0.13	1393	0.19	1531	0.26	1661	0.33	1786	0.41							
1200	1246	0.13	1417	0.20	1558	0.27	1685	0.35											
1400	1454	0.20	1604	0.28	1735	0.37													
1600	1661	0.30	1794	0.39															
CUB-13																			
1300	952	0.13	1093	0.21	1224	0.31	1343	0.41											
1500	1098	0.20	1222	0.29	1339	0.39													
1700	1245	0.28	1355	0.39	1460	0.50													
1900	1391	0.40																	
CUB-15																			
2400	958	0.23	1053	0.33	1146	0.45	1236	0.57	1324	0.70									
2600	1038	0.29	1125	0.40	1212	0.52	1297	0.66	1379	0.79									
2800	1118	0.36	1198	0.48	1280	0.61	1359	0.75											
3000	1198	0.44	1273	0.57	1349	0.71													
3200	1277	0.54	1348	0.67															
3400	1357	0.65																	
CUB-18																			
2500	655	0.17	748	0.28	832	0.39	921	0.55	1016	0.74	1112	0.95	1204	1.16					
3000	785	0.29	867	0.43	937	0.55	1007	0.70	1080	0.88	1158	1.09	1238	1.33					
3500	916	0.46	989	0.63	1050	0.77	1109	0.92	1169	1.10	1232	1.30							
4000	1047	0.69	1113	0.88	1168	1.05	1220	1.21											
4500	1178	0.98	1238	1.21															
CUB-20																			
3700	672	0.31	735	0.46	810	0.63	884	0.82	954	1.02	1020	1.23	1085	1.44					
4200	763	0.45	817	0.61	881	0.80	947	1.01	1012	1.22	1073	1.45							
4700	853	0.63	901	0.81	956	1.01	1015	1.23	1074	1.47									
5200	944	0.85	986	1.05	1034	1.27	1087	1.50											
5700	1035	1.12	1073	1.34															
CUB-24																			
3500	413	0.20	502	0.41	581	0.64	650	0.89	712	1.15									
4500	530	0.43	602	0.69	668	0.97	729	1.26	785	1.57	838	1.90	887	2.24					
5500	648	0.79	708	1.10	764	1.43	817	1.77					961	2.88					
6500	766	1.30	818	1.67															
CUB-30																			
7000	520	0.89	569	1.26	617	1.69	662	2.15	703	2.61	743	3.09	782	3.57	819	4.06	855	4.57	
8000	594	1.32	637	1.73	680	2.21	721	2.73	759	3.25	796	3.78	831	4.32	865	4.86			
9000	669	1.88	707	2.33	745	2.86	782	3.42	818	4.00	852	4.59							
10000	743	2.58	777	3.07	812	3.64	846	4.25	879	4.88									
11000	817	3.44	848	3.97	880	4.57													
12000	891	4.46																	
CUB-36																			
8500	315	0.53	366	1.00	416	1.53	463	2.10	506	2.71	547	3.36	587	4.06					
10500	389	1.01	430	1.56	472	2.18	512	2.84	550	3.54	587	4.27	621	5.03	655	5.82	688	6.65	
12500	463	1.70	498	2.34	533	3.05	567	3.80	601	4.59	634	5.41	665	6.25					
14500	537	2.65	567	3.39	597	4.18	627	5.02	657	5.89	686	6.80							
18500	685	5.49	709	6.43	732	7.40													

# ROOF & WALL EXHAUST FANS

## CUD DIRECT DRIVE UPBLAST FANS

CUD Direct Drive Upblast Exhaust Fans are designed to discharge contaminated exhaust air away from roof surfaces and building walls. Available in UL762 Restaurant Exhaust Kits, CUB fans are suitable for commercial range hood exhaust and much more.

### FEATURES & BENEFITS

- Suitable for roof or wall mount
- Backward inclined, non-overloading wheels
- Spun aluminum housing for weather-resistant durability
- Fully enclosed drive compartment protects motor from airborne contaminants
- Fully ventilated motor cooling compartment for long motor life
- Quick release latches for easy access to motor compartment
- Blades and inlets fabricated from aluminum
- Variable speed control (standard on single phase units only)
- Disconnect switch
- Fully welded leak-proof grease drain (except for model CUD-10)
- 300 F max. temperature rating (except for model CUD-10)
- Available in the following voltages:
  - o 115V 1 phase
  - o 208/230-460V 3 phase



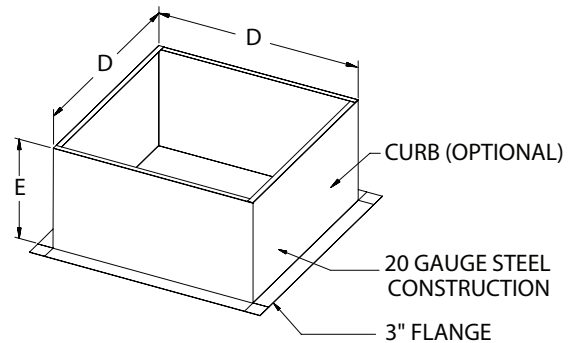
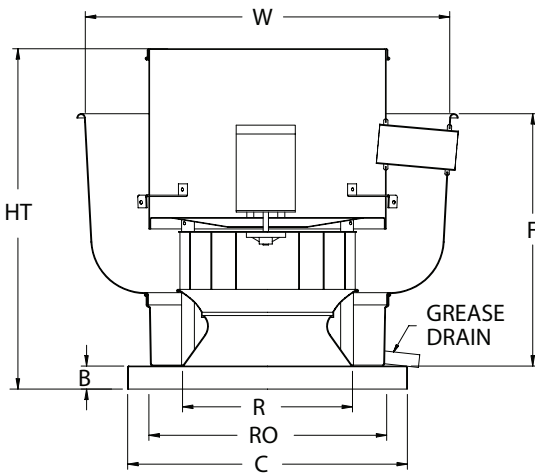
### ACCESSORIES / OPTIONS

- Gravity damper
- Bird screen
- Motorized damper
- Wall mount brackets
- Roof curb (vented or non-vented)

### RESTAURANT EXHAUST KITS (UL762)

- Kits include the following:
  - o Grease cup
  - o Grease pipe
  - o Down spout
  - o Hinge kit

Note: Restaurant exhaust (UL762) requires the use of a vented roof curb. Select 20" high roof curbs are available.



MODEL	DIMENSIONS IN INCHES*										WT (LBS)	DAMPER SQUARE	MANUFACTURE CODE
	HT	W	B	C	D	E	F	R	RO				
CUD-10	14.5	17.8	2	19.0	17.5	12	9.5	8.1	13	30	12	DU10H	
CUD-12	18.0	22.0	2	19.0	17.5	12	14.5	10.6	13	40	12	DU12H	
CUD-30	25.3	25.5	2	21.0	19.5	12	18.5	12.1	16	50	15	DU30H	
CUD-33	25.3	25.5	2	21.0	19.5	12	18.5	12.1	16	50	15	DU33H	
CUD-50	27.3	28.9	2	21.0	19.5	12	21.5	13.3	16	55	15	DU50H	
CUD-85	30.5	31.9	2	24.8	23.0	12	23.0	14.9	20	60	19	DU85H	

\*DO NOT USE FOR CONSTRUCTION

CONSULT FACTORY FOR CERTIFIED PRINTS

## CUD DIRECT DRIVE UPBLAST FANS

PERFORMANCE																			
CFM	0" SP		0.125" SP		0.250" SP		0.375" SP		0.50" SP		0.625" SP		0.750" SP		0.875" SP		1" SP		
	RPM	BHP	RPM	BHP	RPM	BHP	RPM	BHP	RPM	BHP	RPM	BHP	RPM	BHP	RPM	BHP	RPM	BHP	
CUD-10																			
250	755	0.01	969	0.02	1152	0.03	1309	0.04	1453	0.06	1582	0.08							
300	906	0.01	1091	0.03	1255	0.04	1402	0.06	1531	0.07									
400	1205	0.04	1351	0.05	1481	0.07	1606	0.08											
500	1506	0.07																	
CUD-12																			
300	509	0.01	746	0.02	940	0.04	1103	0.06	1245	0.08	1370	0.11	1478	0.14	1587	0.18			
500	846	0.03	1002	0.04	1142	0.07	1272	0.09	1393	0.12	1511	0.15	1613	0.18					
700	1184	0.07	1304	0.10	1408	0.12	1509	0.15	1606	0.18									
900	1520	0.15																	

CFM	0" SP		0.25" SP		0.50" SP		0.750" SP		1.00" SP		1.250" SP		1.50" SP		1.750" SP		2.00" SP	
	RPM	BHP	RPM	BHP	RPM	BHP	RPM	BHP	RPM	BHP	RPM	BHP	RPM	BHP	RPM	BHP	RPM	BHP
CUD-30																		
850	1071	0.05	1239	0.09	1396	0.14	1543	0.19										
1050	1321	0.10	1460	0.15	1593	0.20												
1250	1572	0.17																

CFM	0" SP		0.125" SP		0.250" SP		0.375" SP		0.50" SP		0.625" SP		0.750" SP		0.875" SP		1" SP	
	RPM	BHP	RPM	BHP	RPM	BHP	RPM	BHP	RPM	BHP	RPM	BHP	RPM	BHP	RPM	BHP	RPM	BHP
CUD-33																		
700	857	0.04	974	0.06	1094	0.09	1199	0.12	1292	0.15	1375	0.18	1452	0.21	1525	0.24	1595	0.28
900	1102	0.09	1189	0.11	1286	0.14	1380	0.18	1466	0.21	1544	0.25	1619	0.29				
1100	1346	0.17	1416	0.19	1493	0.23	1574	0.27										
1300	1591	0.27																

CFM	0" SP		0.25" SP		0.50" SP		0.750" SP		1.00" SP		1.250" SP		1.50" SP		1.750" SP		2.00" SP	
	RPM	BHP	RPM	BHP	RPM	BHP	RPM	BHP	RPM	BHP	RPM	BHP	RPM	BHP	RPM	BHP	RPM	BHP
CUD-50																		
1200	915	0.09	1117	0.16	1277	0.24	1418	0.32	1548	0.42								
1500	1143	0.17	1315	0.26	1455	0.35	1582	0.45										
1800	1372	0.29	1519	0.40														
2100	1601	0.46																
CUD-85																		
1200	582	0.04	773	0.09	917	0.15	1041	0.22	1152	0.30	1254	0.39	1348	0.49	1435	0.59	1517	0.69
1600	776	0.09	928	0.16	1057	0.23	1167	0.32	1267	0.40	1359	0.50	1445	0.60	1527	0.71		
2000	969	0.18	1093	0.26	1208	0.35	1309	0.45	1401	0.55	1485	0.65						
2400	1163	0.31	1266	0.40	1368	0.51	1461	0.62	1545	0.73								
2800	1357	0.50	1445	0.60	1533	0.72												
3200	1550	0.74																

# RADIAL BLADE BLOWERS

## KRD RADIAL BLADE BLOWERS

KRD Radial Blade Blowers feature superior performance, a compact design and heavy-welded steel housing and motor base. The self-cleaning cast aluminum wheels are ideal for exhaust systems where air is laden with dirt, lint or foreign material.

### FEATURES & BENEFITS

- Welded 16-gauge steel housing and motor base
- Dynamically balanced cast aluminum wheel
- Self-cleaning wheel designed for efficient operation
- Baked polyester powder coat finish
- Single or three phase TEFC motors; also available without motor
- Explosion proof motors available - consult factory
- Standard discharge: CW bottom horizontal; rotatable to 8 positions
- Field adjustable rotation and discharge
- Capacities to 3,307 cfm



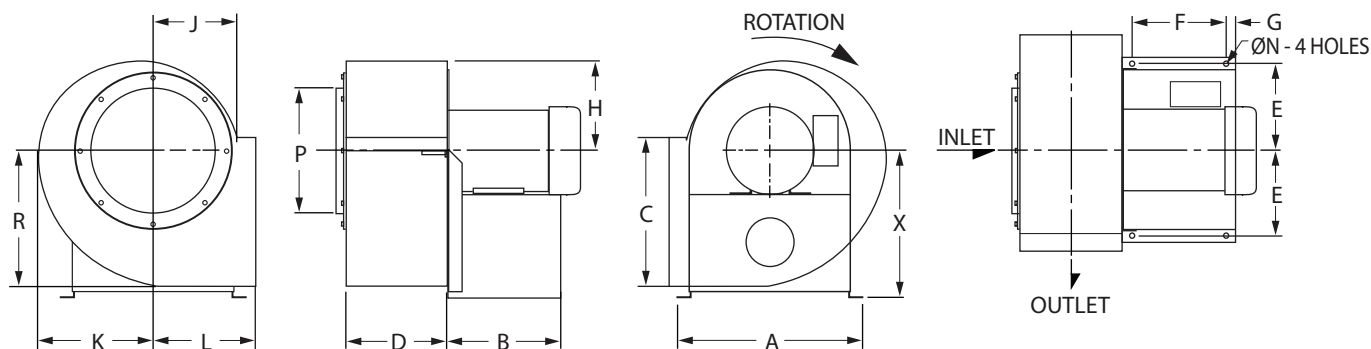
### APPLICATIONS

- Small exhaust systems where air is laden with dust or grit
- Suitable for air containing dirt, lint or foreign material, as wheel is self-cleaning

### ACCESSORIES / OPTIONS

- Weather proof motor cover
- Custom coatings
- Factory mounted motors
- Inlet and discharge screen
- Inlet and discharge flanges
- Spark resistant construction

MODEL	MTR HP	dBA @ 5'	AIRFLOW PERFORMANCE (CFM) AT 1750 RPM											
			0.125" SP	0.25" SP	0.375" SP	0.50" SP	0.625" SP	0.75" SP	1" SP	1.25" SP	1.50" SP	1.75" SP	2" SP	2.25" SP
KRD-08	1/4	64	493	448	396	334	250	93	-	-	-	-	-	-
KRD-09	1/4	69	848	788	724	655	572	462	-	-	-	-	-	-
KRD-11	3/4	75	1524	1457	1386	1309	1225	1134	916	617	97	-	-	-
KRD-12	1 1/2	79	2400	2331	2257	2179	2096	2007	1807	1564	1252	812	166	-
KRD-14	2	81	3307	3221	3134	3046	2956	2863	2664	2438	2164	1786	1181	666



MODEL	WHEEL SIZE	BORE SIZE	MTR FRAME	DIMENSIONS IN INCHES*															WT (LBS) LESS MTR
				A	B	C	D	E	F	G	H	J	K	L	N	P	R	X	
KRD-08	7 3/4 x 4	5/8	56	11.0	8.0	8.3	5.4	5.0	7.0	0.5	6.0	4.6	6.8	6.9	0.4	8.0	8.0	8.5	35
KRD-09	9 x 5	5/8	56	12.1	8.0	10.8	6.5	5.6	7.0	0.5	6.8	5.6	7.8	7.1	0.4	9.0	9.3	9.4	45
KRD-11	10 7/8 x 5 5/8	5/8	56	14.8	9.0	11.8	8.0	6.9	7.5	0.8	8.0	6.8	9.1	8.1	0.4	10.0	10.8	11.8	65
KRD-12	12 1/2 x 7 1/2	7/8	145T	16.4	10.5	13.3	9.6	7.4	8.8	0.9	10.1	8.5	11.5	10.5	0.6	13.3	13.3	17.0	95
KRD-14	13 1/2 x 8 1/8	7/8	145T	17.6	10.5	14.6	10.8	8.0	8.8	0.9	11.1	9.4	12.6	11.4	0.6	14.5	14.6	17.0	120

\*DO NOT USE FOR CONSTRUCTION

CONSULT FACTORY FOR CERTIFIED PRINTS



## PRD RADIAL BLADE PRESSURE BLOWERS

PRD Radial Blade Pressure Blowers are superbly crafted air moving devices that deliver superior performance in a compact package. They are ideal for small exhaust systems where air is laden with dust or grit.

### FEATURES & BENEFITS

- Welded 16-gauge steel housing and motor base
- Dynamically balanced cast aluminum wheel
- Self-cleaning wheel designed for efficient operation
- Baked polyester powder coat finish
- Single or three phase TEFC motors; also available without motor
- Explosion proof motors available - consult factory
- Standard discharge: CW bottom horizontal; rotatable to 8 positions
- Field adjustable rotation and discharge
- Capacities to 2,100 cfm



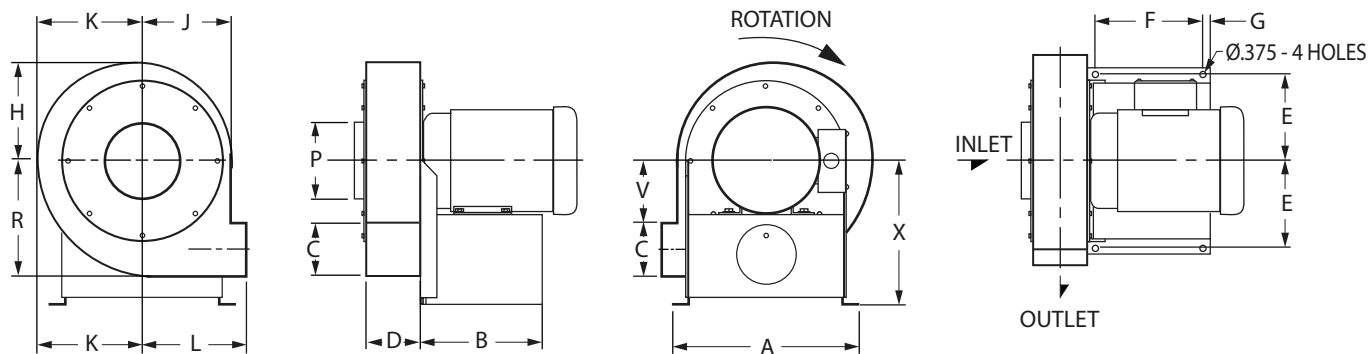
### APPLICATIONS

- Small exhaust systems where air is laden with dust or grit
- Supplying high pressure air for conveying and cooling

### ACCESSORIES / OPTIONS

- Weather proof motor cover
- Custom coatings
- Factory mounted motors
- Inlet and discharge screen
- Inlet and discharge flanges
- Spark resistant construction

MODEL	MTR HP	dBA @ 5'	AIRFLOW PERFORMANCE (CFM) AT 3500 RPM																
			0.25" SP	0.50" SP	1" SP	1.50" SP	2" SP	2.50" SP	3" SP	3.50" SP	4" SP	5" SP	6" SP	7" SP	8" SP	9" SP	10" SP	11" SP	12" SP
PRD-08	1/3	74	283	274	256	237	216	192	165	129	70	-	-	-	-	-	-	-	-
PRD-09	3/4	77	475	465	445	423	399	374	346	316	282	195	-	-	-	-	-	-	-
PRD-11	1 1/2	84	786	772	746	719	692	664	635	606	575	508	431	329	-	-	-	-	-
PRD-12	3	90	1185	1171	1145	1117	1090	1062	1033	1004	974	911	842	765	672	549	-	-	-
PRD-14	7 1/2	92	2100	2079	2037	1995	1952	1909	1866	1822	1777	1685	1587	1482	1367	1236	1081	874	474



MODEL	WHEEL SIZE	BORE SIZE	MTR FRAME	DIMENSIONS IN INCHES*																WT (LBS) LESS MTR
				A	B	C	D	E	F	G	H	J	K	L	P	R	V	X		
PRD-08	7 3/4 x 2 1/4	5/8	56	11.0	8.0	3.0	3.0	5.0	7.0	0.5	5.4	4.9	5.9	5.9	4.0	6.6	3.6	8.5	35	
PRD-09	9 x 2 3/4	5/8	56	12.1	8.0	3.5	3.5	5.6	7.0	0.5	6.4	5.8	6.9	6.8	5.0	7.5	4.0	9.4	40	
PRD-11	10 5/8 x 3	5/8	56	14.8	9.0	4.0	3.5	6.9	7.5	0.8	7.3	6.5	8.0	7.6	6.0	8.6	4.6	11.8	55	
PRD-12	12 1/2 x 3	7/8	145T	17.0	8.0	5.0	4.0	8.0	6.5	0.8	8.3	7.5	9.0	9.6	7.0	10.0	5.0	10.6	85	
PRD-14	13 1/2 x 4 3/8	1 1/8	184T	17.6	11.3	7.1	5.8	8.0	9.6	1.0	10.5	9.6	11.4	11.0	8.0	11.5	4.4	12.6	140	

\*DO NOT USE FOR CONSTRUCTION

CONSULT FACTORY FOR CERTIFIED PRINTS

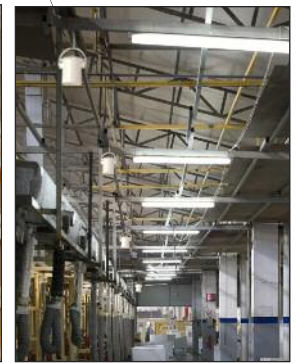
# DESTRATIFICATION FANS

## DSF DESTRATIFICATION FANS

DSF Destratification Fans force heated or cooled air down to floor level, eliminate temperature layers in the ceiling space, and create a more comfortable environment inside a building. The net result is energy savings, along with maximizing the efficiency of an HVAC system.

### FEATURES & BENEFITS

- Reduce hot & cold spots through the mixing of air in large spaces
- Lower energy costs, increased comfort
- Ideal for any building with ceilings 15' or higher
- Breaks up stratification layers
- Powerful, axial flow fan
- External rotor motor design results in superior motor cooling and durability
- Speed controllable using optional solid state speed control
- Permanently lubricated ball bearing motors for maintenance-free operation
- Automatic reset, thermal overload protection
- 120V, 60 Hz operation
- Steel housing with corrosion resistant finish
- Gripple fasteners supplied for safe mounting
- Rotating mounting bracket permits mounting at any angle
- Maximum permissible ambient temperature: 140 F
- Capacities up to 1,460 cfm; available in 10", 12" and 14" fan sizes



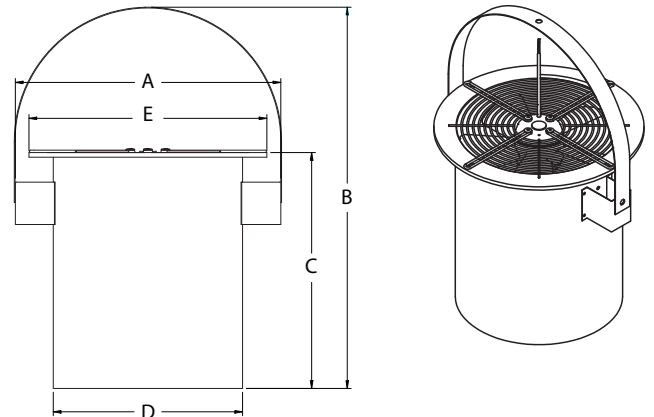
### APPLICATIONS

- Big box stores
- Shopping malls
- Warehouses
- Greenhouses
- Athletic facilities
- Grocery stores
- Industrial buildings
- Distribution centers
- Atriums
- Gymnasiums

MODEL	MAX WATTS	MAX AMPS	RPM	0"SP CFM	FAN PERFORMANCE										
					AIR VELOCITY DEPENDING ON DISTANCE FROM DSF FAN, FPM										
					3ft	6ft	10ft	13ft	15ft	20ft	23ft	25ft	30ft	33ft	35ft
DSF250	60	0.51	1700	420	378	270	220	156	90	60	20	-	-	-	-
DSF300	94	0.80	1675	1055	918	594	380	234	162	120	79	38	20	-	-
DSF350	162	1.38	1685	1460	1100	756	760	468	324	300	217	169	120	59	19

MODEL	DIMENSIONS IN INCHES*				
	A	B	C	D	E
DSF250	15.2	20.2	15.2	10.2	13.4
DSF300	17.3	23.9	17.9	12.2	15.4
DSF350	19.2	27.3	20.3	14.2	17.4

\*DO NOT USE FOR CONSTRUCTION  
CONSULT FACTORY FOR CERTIFIED PRINTS



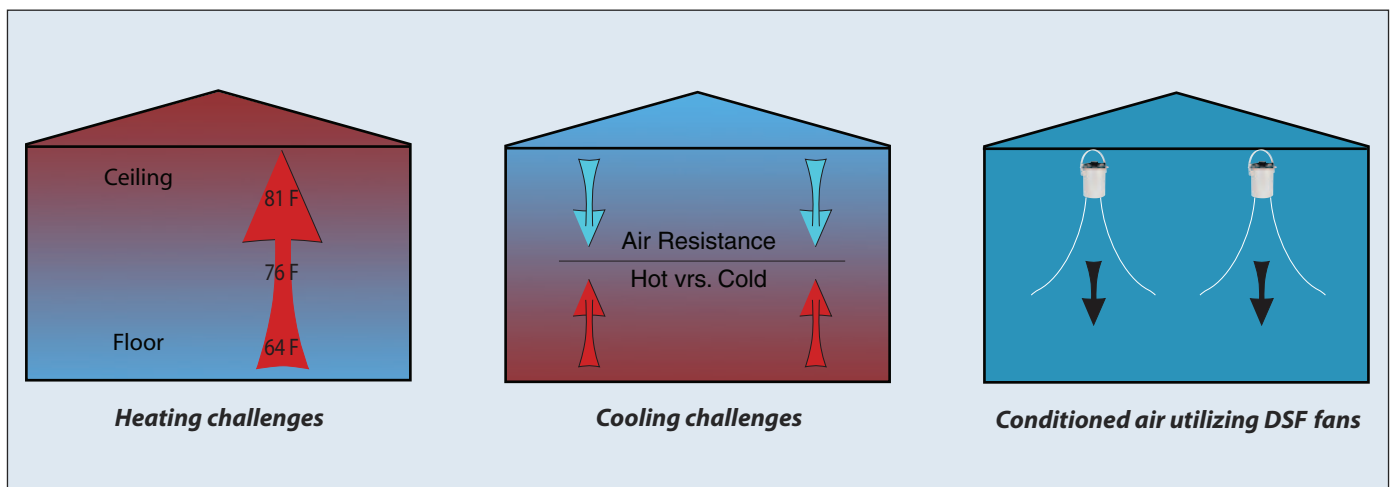
## CHALLENGES OF HEATING & COOLING

During the heating season, warm, heated air naturally rises to the ceiling posing a challenge for any building with high ceilings. For example, if a ceiling is 20 feet high, there can be a 10 to 20 degree variance in temperature from the floor to the ceiling. On average, a buildings' temperature increases between .5 and 1 degree F for each elevated foot as heat rises to the ceiling.

During the cooling season, cold air-conditioned air is often exiting through diffusers located at ceiling level. This air is met with resistance by the hot air rising from the floor level, forcing air-conditioning units to work harder, ultimately wasting energy trying to keep up with the cooling demand.

## SOLUTION

Installing destratification fans near the ceiling registers helps push that heated or cooled air down to the floor level, ultimately creating a more comfortable environment inside the building. The overall effect is energy savings along with maximized efficiency of the HVAC system.



## HOW DO I DETERMINE HOW MANY FANS I NEED?

Air circulation should occur once or twice per hour to maintain a healthy building environment.

Select the fan cfm based on the following ceiling height recommendations:

- 15 ft - 20 ft use 420 cfm fan or model DSF250
- 20 ft - 25 ft use 1055 cfm fan or model DSF300
- 25 ft - up use 1460 cfm fan or model DSF350

To determine the number of DSF fans for a given area, the following information is required:

- $(L \times W \times H) =$  Size of room
- $\text{Size of room} / \text{cfm} / 60 =$  Number of units

Example: a building is 125 ft. long, 75 ft. wide, and 20 ft. high.

- $125 \times 75 \times 20 = 187,500$  cu. ft.
- $187,500 \text{ cu. ft.} / 1055 \text{ cfm (DSF300 Fan)} / 60 = 3$  DSF Fans (round to the nearest whole number)

## DFC DIGITAL FAN CONTROL

Indoor Air Quality (IAQ) has become an important part of our everyday lives. IAQ affects us in the workplace, schools and more significantly, in our homes. The American Society of Heating, Refrigeration and Air-Conditioning Engineers publishes ASHRAE 62.2, a standard that defines the minimum ventilation requirement and acceptable indoor air quality in low-rise residential buildings.

The DFC Digital Fan Control uses smart technology to address the requirements of ASHRAE 62.2, and it is capable of automatically calculating the airflow required to achieve acceptable indoor air quality. It is designed to provide increased ventilation control that is efficient and affordable. Its unique architecture offers a choice of five distinct modes of operation, allowing the control to be programmed to suit a user's preference and lifestyle. When combined with an AXC In-Line Duct Fan, the DFC Digital Fan Control provides an excellent way of meeting IAQ standards.

### FEATURES & BENEFITS

- Easy to install
- Simple to program
- Convenient display with backlight
- User friendly icons
- Easy to read digital clock
- Automatic Daylight Savings Time function
- ASHRAE 62.2 ventilation standard
- Promotes proper Indoor Air Quality (IAQ)
- Ideal for home & bathroom ventilation
- Available in white or ivory
- Designed for single-speed fan operation
- Five year warranty



### MODES OF OPERATION

The DFC Digital Fan Control allows the user to choose from five modes of operation:

#### 1. Ventilation Mode



The Ventilation Mode is designed to achieve ASHRAE 62.2 acceptable indoor air quality. In this mode, the fan control operates on a 60-minute cycle, automatically determining the percentage of run time based on floor space, number of rooms and fan capacity. For example, if the fan is On for 15 minutes, it will be Off for 45 minutes.

#### 2. Customized Cycle Mode



The Customized Cycle Mode allows the user to set the On and Off periods for the fan. Once selected, the control will cycle the fan automatically based on the user's preference.

#### 3. Daily On/Off Mode



The Daily On/Off Mode allows the user to program the fan to turn On and Off once a day, at user-defined times.

#### 4. Manual Mode



In the Manual Mode, the control operates the fan like a regular on/off switch. Simply pressing the main button turns the fan On or Off.

#### 5. Countdown Mode



The Countdown Mode allows the fan to operate for any period between 10 and 60 minutes. At the end of the countdown period, fan operation will return to its prior programmed mode.

### VENTILATION AIR REQUIREMENTS (CFM)

Bedrooms	Floor Area (ft <sup>2</sup> )					
	< 1,500	1,501 - 3,000	3,001 - 4,500	4,501 - 6,000	6,001 - 7,500	> 7,500
0-1	30	45	60	75	90	105
2-3	45	60	75	90	105	120
4-5	60	75	90	105	120	135
6-7	75	90	105	120	135	150
>7	90	105	120	135	150	165

Table 4.1A, ASHRAE 62.2-2007

## CONTROLS



### VARIABLE SPEED CONTROLS (SOLID STATE)

VSC3 and VSC9 variable speed controls are designed for AC motors.

- VSC3 Variable Speed Control (Knob-Style) - 3 amp - 3 Wire
- VSC9 Variable Speed Control (Knob-Style) - 9 amp - 3 Wire
- DVSC5 Variable Speed Control (Decora Slide) - 5 amp



### DIGITAL TIMERS

Time control auto shut off, in preset intervals, allows for proper ventilation and energy savings. The red LED indication light remains lit until the unit shuts off.

- DT60 Digital Timer 10 - 20 - 30 - 60 Minutes



### SPRING WOUND TIMER

Spring wound timer provides energy savings by limiting the "on-time" of the fan, up to 60 minutes. CT timers are easily installed in a standard electrical box. Cover plate not included.

- CT100V Spring Wound Timer 0 - 1 Hour



### ON/OFF SWITCH (W/PILOT LIGHT)

The neon light is ON when the switch is in the ON position. 15Amp, 120V Single Pole/ AC Switch. Cover plate not included.

- PLS120V ON/OFF Switch w/Pilot Light



### OCCUPANCY SENSOR

Single relay occupancy sensor features 180 degree field of view with coverage up to 900 sq. ft. It turns the load on or off when activity is detected or has stopped.

- SOS125V Occupancy Sensor - 5 AMP



### THERMOSTAT

The TST120V thermostat is suitable for direct connection with any resistance heating element or unit heater.

- TST120V Line Voltage Thermostat, 120V



### DEHUMIDISTAT (FOR HUMIDITY CONTROL)

The adjustable sensitivity of DHST dehumidistat allows a user to prevent false cycling. The air cycle mode turns fan on/off for a set period (10, 20, 30, or 45 minutes), cycling hourly.

- DHST120V Humidity Control



### CURRENT SENSOR (SOLID STATE)

The CS120VAF current sensor provides a compact, low cost method of detecting AC current. It is ideal for ON/OFF sensing of remote equipment.

- CS120AF Current Sensor, 120V, Solid State



### PRESSURE SWITCH (WITH TIME DELAY)

Designed for HVAC or Energy Management applications, PST120V pressure switch is an airflow proving switch with an electronic cycle timing board.

- PST120V Pressure Switch w/Time Delay



### AUTO TRANSFORMER

TF auto transformer allows for voltage to be regulated to 60V & 90V increments. Channel frame mounting and metal end shells make for a simple installation.

- TF120V Auto Transformer - 90/60V

# CONTROLS, GRILLES & ACCESSORIES

## GRILLES



### AEROGRILLE VENTILATION GRILLES

AeroGrilles are designed for use with either in-line or external mount duct fans.

- AG150 AeroGrille 6"
- AG150-C AeroGrille 6", Collar
- AG150-CD AeroGrille 6", Collar, Damper

### ADJUSTABLE VENTILATION GRILLES

Designed for ceiling or wall applications, the fully adjustable GR ventilation grilles are easy to install and adjust.



- GR100 Adjustable Grille 4", Collar
- GR150 Adjustable Grille 6", Collar
- GR200 Adjustable Grille 8", Collar
- GR100-6PK Adjustable Grille 4", Collar - 6 pcs
- GR150-6PK Adjustable Grille 6", Collar - 6 pcs

### DECORATIVE VENTILATION GRILLES

These attractive grilles are designed for use with non-lighted versions of AeroFan bathroom fans.



- TGRRD90 Grille TBF90, Round Silver/Chrome
- TGRRD120 Grille TBF120, Round Silver/Chrome
- TGRSQ90 Grille TBF90, Square Silver/Chrome
- TGRSQ120 Grille TBF120, Square Silver/Chrome
- TGRCH90 Grille TBF90, Rectangular Silver/Chrome
- TGRCH120 Grille TBF120, Rectangular Silver/Chrome

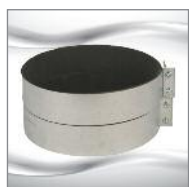
## ACCESSORIES



### DUCT REDUCERS/INCREASERS

DRI duct reducers/increasers are used to transition a duct from a larger or smaller size. Available in 28 Ga.

- DRI-04-03 Duct Reducer/Increaser, 4" - 3" Duct, Plastic
- DRI-06-04 Duct Reducer/Increaser, 6" - 4" Duct, Galvanized
- DRI-08-06 Duct Reducer/Increaser, 8" - 6" Duct, Galvanized
- DRI-10-08 Duct Reducer/Increaser, 10" - 8" Duct, Galvanized
- DRI-12-10 Duct Reducer/Increaser, 12" - 10" Duct, Galvanized
- DRI-14-12 Duct Reducer/Increaser, 14" - 12" Duct, Galvanized



### MOUNTING CLAMPS FOR RIGID DUCT

MC mounting clamps are designed for use with rigid duct. The foam neoprene layer creates an air tight installation.

- MC100 Mounting Clamps for Rigid 4" Duct (2pc)
- MC125 Mounting Clamps for Rigid 5" Duct (2pc)
- MC150 Mounting Clamps for Rigid 6" Duct (2pc)
- MC200 Mounting Clamps for Rigid 8" Duct (2pc)
- MC250 Mounting Clamps for Rigid 10" Duct (2pc)
- MC300 Mounting Clamps for Rigid 12" Duct (2pc)
- MC355 Mounting Clamps for Rigid 14" Duct (2pc)



### GEAR CLAMPS FOR FLEXIBLE DUCT

GC stainless steel gear clamps easily connect a duct fan to flexible insulated duct and other auxiliary pieces.

- GC150 Gear Clamp for 4" - 6" Duct, Stainless Steel
- GC200 Gear Clamp for 5.5" - 8.5" Duct, Stainless Steel

### LOUVERED SHUTTERS (WITH TAIL PIECE)

LS louvered shutters are designed as plastic molded vent hoods that prevent wind and rain from entering the vent.



- LS100-4W Louvered Shutter, 4" Duct
- LS150-6W Louvered Shutter, 6" Duct

## ACCESSORIES



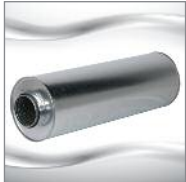
### WYE FITTINGS

WYE fittings provide an airtight branch fitting. The crimp and bead edging ensures an easy connection.

- WYE-04 Y-Fitting, 4"x4"x4" Duct
- WYE-06 Y-Fitting, 6"x6"x6" Duct
- WYE-08 Y-Fitting, 8"x8"x8" Duct

### SOUND ATTENUATORS

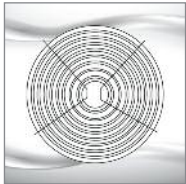
SA sound attenuators reduce fan noise traveling along ventilation ducts. Ideal for either supply or exhaust ducts.



- SA100 Sound Attenuator, 4" Duct
- SA150 Sound Attenuator, 6" Duct
- SA200 Sound Attenuator, 8" Duct
- SA250 Sound Attenuator, 10" Duct
- SA300 Sound Attenuator, 12.4" Duct
- SA400 Sound Attenuator, 16" Duct

### GUARDS

Utilize a PG guard as a grille, or mount it directly on the outlet/inlet of a fan to allow for a safe installation.



- PG100 Guard, 4" Duct
- PG125 Guard, 5" Duct
- PG150 Guard, 6" Duct
- PG200 Guard, 8" Duct
- PG250 Guard, 10" Duct
- PG300 Guard, 12" Duct

### ROOF CAPS

Black plastic roof caps include damper, screen, and collar. Aluminum wall caps include spring controlled damper.



- RC100 Roof Cap, 4" Duct, Black Plastic
- RC150 Roof Cap, 6" Duct, Black Plastic
- RC200 Roof Cap, 8" Duct, Black Plastic

### WALL CAPS

Aluminum wall caps include spring controlled damper.



- WC100 Wall Cap, 4" Duct, Aluminum, Reducer 4" - 3"
- WC150 Wall Cap, 6" Duct, Aluminum
- WC200 Wall Cap, 8" Duct, Aluminum

### FLEXIBLE INSULATED DUCT

FLM models are UL-181 and ULCS-110 M Class air duct, wrapped with 2-ply black polyester laminated inner core.



- FLM100 Flexible Insulated 4" Duct - 12.5' Length
- FLM100-25 Flexible Insulated 4" Duct - 25' Length
- FLM125 Flexible Insulated 5" Duct - 25' Length
- FLM150 Flexible Insulated 6" Duct - 25' Length
- FLM200 Flexible Insulated 8" Duct - 25' Length
- FLM250 Flexible Insulated 10" Duct - 25' Length
- FLM300 Flexible Insulated 12" Duct - 25' Length

### LINT TRAP

Reduce maintenance associated with dryer vents by installing a LT100 Lint Trap, which mounts to a wall or ceiling.



- LT100 Lint Trap for Dryer, 4" Duct

# DAMPERS

## IRIS DAMPERS

The IRIS damper is a brilliantly simple solution for fast and exact measurement, balance and control of airflow. It is ideal for supply and exhaust tracking control, individual comfort control, and any space requiring accurate airflow regulation.

### FEATURES & BENEFITS

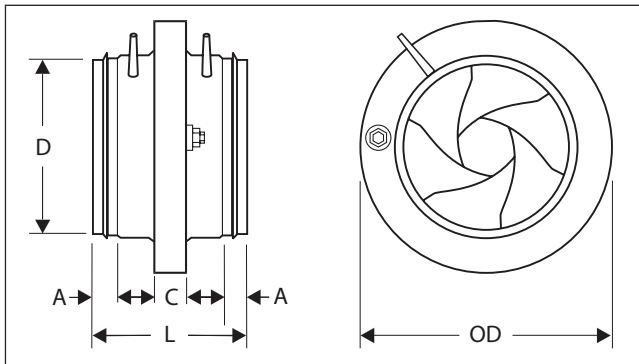
- Precise airflow measurement, reduced field labor time
- Single station measurement and control
- Accurate air balancing to +/- 5% in straight duct
- Compact design, superior performance
- Fitted EPDM gasket for airtight mounting
- Fully retractable blades for duct cleaning
- Ideal for office buildings, pharmaceuticals, clean rooms & laboratories
- Available in 4" to 32" sizes; capacities to 20,000 cfm
- Max operating temperature:
  - o 180 F continuous
  - o 250 F intermittent

### IRIS DAMPER

- Hot dipped galvanized steel construction

### POSITIVE SEAL CONSTRUCTION (OPTIONAL)

Some applications may require a fully closed damper. For those requiring a 100% shutoff, a positive seal option is available on sizes 4" through 12", in both galvanized and stainless steel IRIS dampers.



MODEL	DIMENSIONS IN INCHES					WT (LBS)
	A	C	D	L	OD	
IRIS-04, IRIS-S-04	1.2	0.6	3.9	4.6	6.5	1.1
IRIS-05, IRIS-S-05	1.2	0.6	4.9	4.6	7.4	1.5
IRIS-06, IRIS-S-06	1.2	0.6	5.9	4.6	9.1	2.0
IRIS-08, IRIS-S-08	1.2	0.6	7.8	4.6	11.2	3.1
IRIS-10, IRIS-S-10	1.6	0.7	9.8	5.3	13.2	4.6
IRIS-12, IRIS-S-12	1.6	0.7	11.8	6.1	16.1	7.7
IRIS-16, IRIS-S-16	2.4	0.8	15.7	7.5	20.7	14.1
IRIS-20, IRIS-S-20	2.0	0.8	19.6	6.7	25.8	21.2
IRIS-25, IRIS-S-25	2.0	0.9	24.7	6.7	32.1	34.4
IRIS-32, IRIS-S-32	3.9	0.9	31.4	10.6	40.0	55.1

\*DO NOT USE FOR CONSTRUCTION  
CONSULT FACTORY FOR CERTIFIED PRINTS

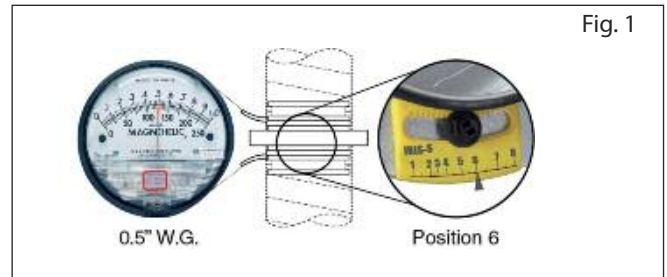


### IRIS-S DAMPER

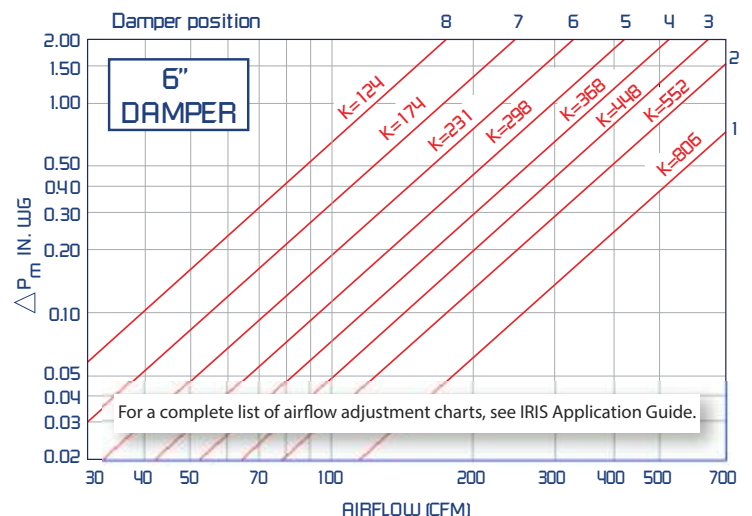
- AISI 316 stainless steel construction
- Prolonged excellence in extreme conditions
- Ideal for corrosive environments

### SIMPLE OPERATION

Using a pressure gauge and a damper's Airflow Adjustment Chart, desired airflow in a duct can be attained by simply turning the damper adjustment nut until the required pressure drop is reached (Fig. 1).



### AIRFLOW ADJUSTMENT CHART (TYPICAL)





## BDD BACKDRAFT DAMPERS

BDD Backdraft Dampers provide an economical solution to troublesome backdrafts. These premium quality backdraft dampers feature aluminum butterfly damper blades and are available in either spring loaded or gravity style designs.

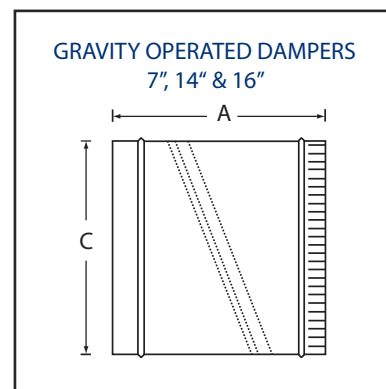
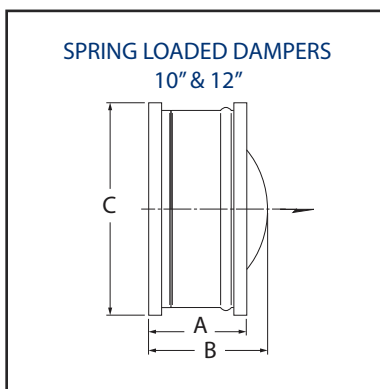
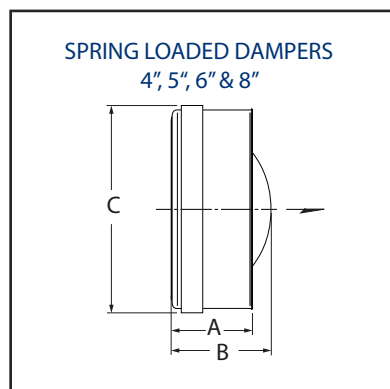
### SPRING LOADED DAMPERS

- Neoprene damper seal to minimize air leakage
- Steel housing, aluminum butterfly damper blades
- Gasket designed to withstand temperatures from -22 F to 180 F
- Requires from 0.04 to 0.08 in. wg pressure to open
- Simple installation in any position - entire assembly inserts into duct
- Exterior foam gasket assures a tight seal against duct
- 4", 5", 6" & 8" sizes include stamped metal sleeve with center pin / post designs
- 10" & 12" sizes include rolled metal sleeve with center post design



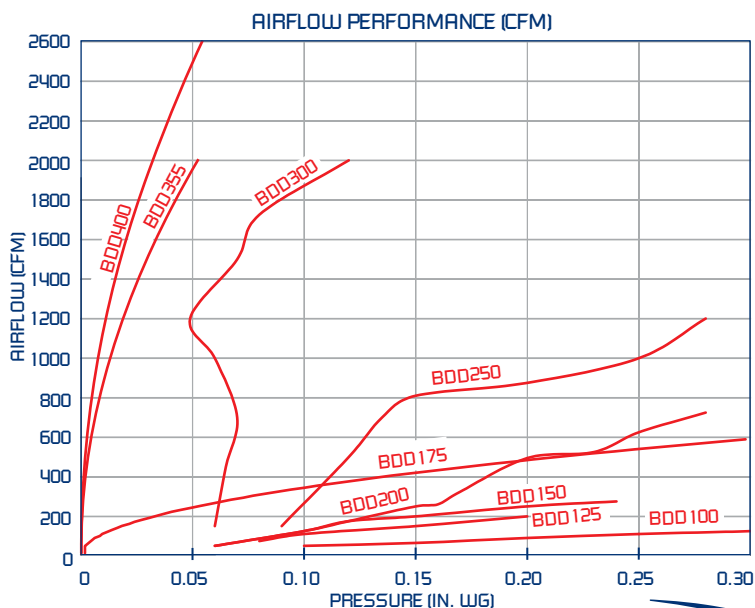
### GRAVITY OPERATED DAMPERS

- Low air leakage design
- Galvanized steel housing, aluminum butterfly damper blades
- Gravity operated closure
- Install in horizontal or vertical (upblast only) position
- Suitable for supply or exhaust applications
- Available in 7", 14" & 16" sizes



MODEL	DIMENSIONS IN INCHES*			Gauge
	A	B	C (Nominal)	
<b>SPRING LOADED DAMPERS</b>				
BDD100	1.8	2.0	4	20
BDD125	2.0	2.5	5	20
BDD150	2.5	3.0	6	20
BDD200	2.8	3.8	8	20
BDD250	4.8	6.0	10	20
BDD300	6.3	6.8	12	20
<b>GRAVITY OPERATED DAMPERS</b>				
BDD175	7.0	-	7	28
BDD355	12.0	-	14	24
BDD400	14.0	-	16	22

\*DO NOT USE FOR CONSTRUCTION  
CONSULT FACTORY FOR CERTIFIED PRINTS



# OEM AND INDUSTRIAL FANS & BLOWERS

Continental Fan offers a vast array of OEM and Industrial Fans & Blowers. A small sampling is shown on pages 42 & 43.

## **APK DIRECT DRIVE PANEL FANS**

APK Direct Drive Panel Fans are the ideal solution for applications that require high efficiency and quiet operation. These panel fans deliver maintenance-free performance at an affordable price.

### **FEATURES**

- Spark resistant, cast aluminum airfoil axial impeller
- Superior performance and sound characteristics
- Baked polyester powder coat finish
- GRP (polypropylene) blades available
- All-aluminum design available
- Custom designs available from 12" to 36"
- Capacities to 23,000 cfm from stock components



## **ABP BELT DRIVE PANEL FANS**

ABP Belt Drive Panel Fans are the ideal solution for industrial applications such as condensing units, general ventilation, power plant ventilation, and much more.

### **FEATURES**

- Spark resistant, cast aluminum airfoil axial impeller
- Factory set adjustable pitch impeller
- Heavy duty welded steel frame and panel construction
- Baked polyester powder coat finish
- V-belt drives for low speed operation
- Sizes range from 24" to 72"
- Capacities to 73,200 cfm



## **AFK DIRECT DRIVE FLANGE FANS**

AFK Direct Drive Flange Fans deliver maximum performance in minimal space. A fully reversible double flange design provides exceptional strength and allows for duct mounting if needed.

### **FEATURES**

- Spark resistant, cast aluminum airfoil axial impeller
- Superior performance and sound characteristics
- Baked polyester powder coat finish
- GRP (polypropylene) blades available
- Fully reversible design option available
- Sizes range from 12" to 42"
- Capacities to 34,000 cfm from stock components



## **AID DIRECT DRIVE AXIAL IN-LINE FANS**

AID Axial In-Line Fans offer the perfect solution where high efficiency and quiet operation are required. Commonly used to move large volumes of air at medium and high pressures, AID fans utilize ELTA airfoil adjustable pitch impellers to maximize performance.

### **FEATURES**

- NEMA 4 junction box, pre-wired and mounted on fan
- Spark resistant, cast aluminum airfoil axial impeller
- Baked polyester powder coat finish
- GRP (polypropylene) impeller available
- Fully reversible airflow option
- Sizes range from 12" to 27"
- Capacities to 11,400 cfm



## TCD BC AIRFOIL BLOWERS

TCD BC Airfoil Blowers are precision balanced air-moving devices that feature superior performance and exceptional smoothness. Combined with high efficiency TEFC motors, TCD blowers set new standards for efficiency and sound.

### FEATURES

- Direct drive, non-overloading 'TEK' impeller
- Highly efficient airfoil (BCA) design
- Epoxy coated steel housing
- Rugged GRP (polyamide) impeller
- Cast aluminum impeller hub w/bushing
- CW rotation; rotatable to 5 positions
- Capacities to 4,500 cfm



## CPB CAST ALUMINUM PRESSURE BLOWERS

CPB Cast Aluminum Pressure Blowers are used to supply high pressure air for cooling applications and conveying systems. The cast aluminum radial bladed wheels are also ideal for exhaust systems where air is laden with dust or grit.

### FEATURES

- Cast aluminum radial blade impeller
- AMCA Type B spark resistant construction
- Rugged cast aluminum housing
- CW or CCW rotation available
- Suitable for 0 to 150 F
- Static pressures to 11 in. wg
- Capacities to 3,410 cfm



## ELTA AXIAL AIRFOIL IMPELLERS

ELTA Axial Airfoil Impellers incorporate an advanced airfoil blade design that is exceptionally quiet and efficient. Integrating innovative pressure cast aluminum hubs and adjustable pitch blades, ELTA impellers deliver an impressive array of airflow performance.

### FEATURES

- Airfoil design, modular construction, adjustable pitch
- Superior performance and sound characteristics
- Pressure cast aluminum hub and blades
- Aluminum or GRP (polypropylene) blades
- Multiple hub to blade ratios
- Custom diameters from 12" to 79"
- Capacities to 200,000 cfm from stock components



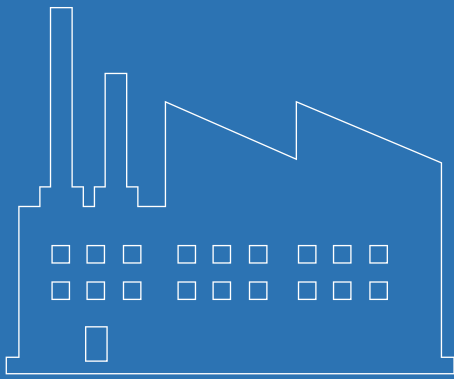
## DXP-EC MOTORIZED AXIAL FANS

DXP-EC Motorized Axial Fans achieve new standards for reduced power consumption, energy savings and performance, by utilizing the advanced technology of an EC (Electronically Commutated) external rotor motor.

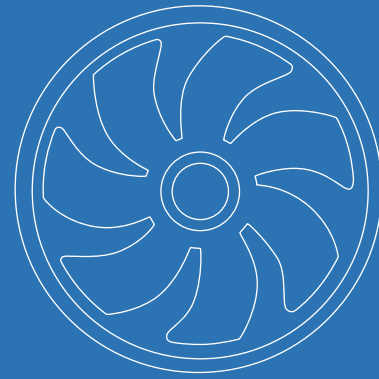
### FEATURES

- EC (Electronically Commutated) external rotor motor
- AC & DC motors also available
- 1-10 VDC or PWM motor control
- Excellent air and sound performance characteristics
- 100% speed controllable
- Capacities vary with motor
- ErP and RoHS compliant





***Industrial Fans  
& Blowers***



***OEM Solutions  
& Custom Fans***



***Commercial Fans  
& Dampers***



***Residential Fans &  
Air Purifiers***



# Wholesale Ventilation Products

Continental Fan Manufacturing Inc.  
Buffalo, NY ~ Dayton, OH

Continental Fan Canada Inc.  
Mississauga, Ontario

[www.continentalfan.com](http://www.continentalfan.com)  
1-800-779-4021

Distributed by:



Wholesale-CAT-2109