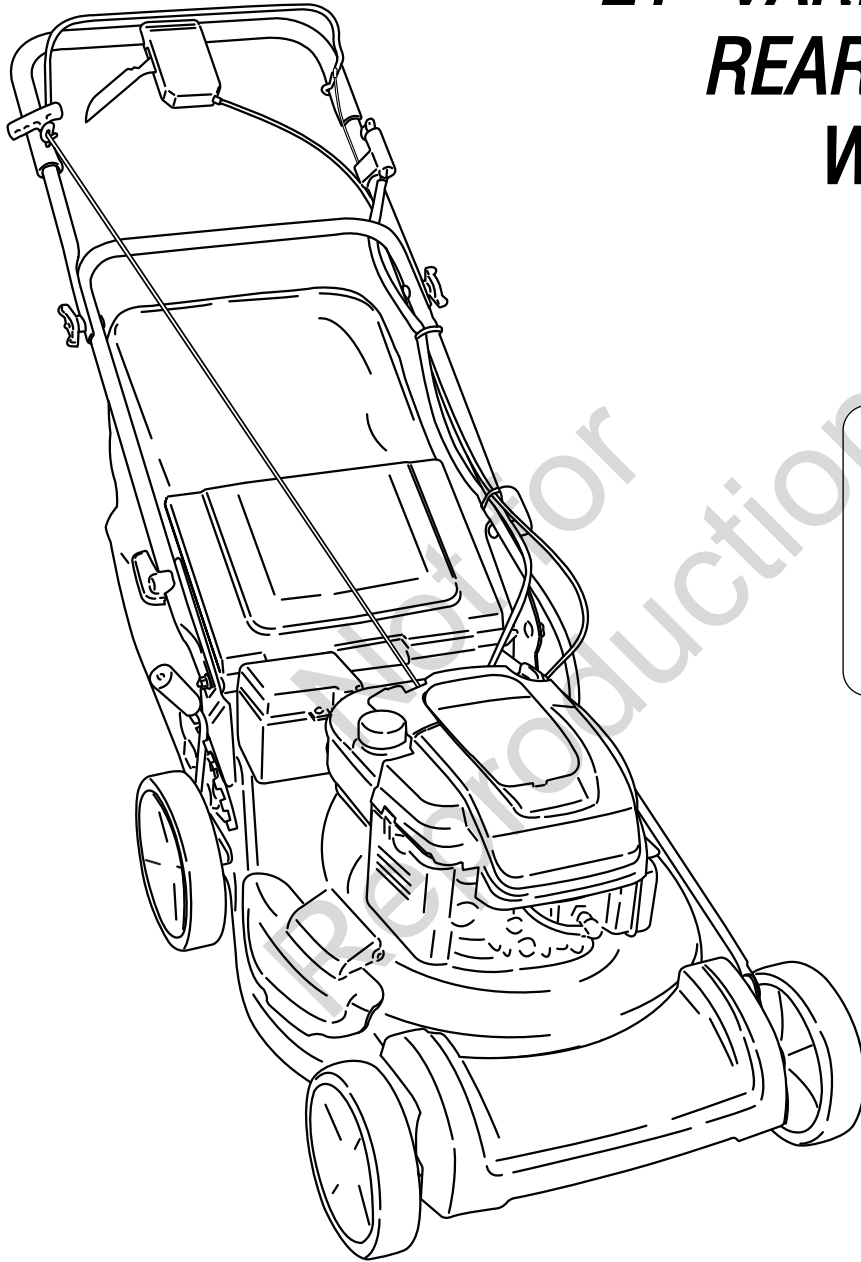


*Safety Instructions & Operator's Manual for*

# **SNAPPER<sup>®</sup>**

## **21" VARIABLE SPEED REAR DISCHARGE WALK BEHIND MOWERS**



### **Models**

*SPV21675 (7800179)  
SPV21675E (7800417)  
NSPV21675 (7800421)  
NSPV21675E (7800422)*

NOTE: Specifications are correct at time of printing and are subject to change without notice.

\* Actual sustained engine power will likely be lower due to operating limitations and environmental factors. Please refer to 'Engine Power Rating Information' for further details.

**Thank You** for purchasing this quality-built Snapper mower. We're pleased that you placed your confidence in the Snapper brand. When operated and maintained according to the instructions in this manual, your Snapper mower will provide many years of dependable service.

**This manual contains** safety information to make you aware of the hazards and risks associated with the machine and how to avoid them. This machine is designed and intended only for finish cutting of established lawns and is not intended for any other purpose. It is important that you read and understand these instructions thoroughly before attempting to start or operate this equipment. Save these instructions for future reference.

## PRODUCT REGISTRATION

**IMPORTANT: KEEP THIS INFORMATION FOR YOUR PERSONAL RECORDS**  
(Complete the following information on your Snapper purchase)

Date of Purchase \_\_\_\_\_

Retailer \_\_\_\_\_

Retailer's Phone Number \_\_\_\_\_

### Equipment

Model Number \_\_\_\_\_

Serial Number \_\_\_\_\_

### Engine

Model \_\_\_\_\_ Type \_\_\_\_\_ Trim \_\_\_\_\_

It is very important that you register your purchase with Snapper to ensure warranty coverage. Please mail your product registration card to:

Snapper at P.O. Box 1379, McDonough, Georgia 30253.

You can contact us at our website ([www.snapper.com](http://www.snapper.com)), or if you would like to speak with a Customer Service Representative, call us at the Snapper Customer Relations Center at 1-800-317-7833. For faster service please have your Serial Number and Model Number available.

# Table of Contents

**Operator Safety** .....4  
 Important Operator Safety Instructions .....4

**Features and Controls** .....6



**Operation** .....7  
 Pre-Start Checklist .....7  
 Starting & Stopping Engine & Blade .....7  
 Propelling Mower .....8  
 Handle Height Adjustment .....8  
 Cutting Height Adjustment .....9  
 Recycling Operation .....9  
 Installing the Discharge Deflector .....10  
 Removing the Recycling Plug .....10  
 Installing the Grass Bag .....10

**Maintenance** .....11  
 Change Engine Oil .....11  
 Check Mower Blade .....11  
 Check Engine Drive Belt .....11  
 Service - Periodic .....11  
 Engine .....11  
 Air Filter .....11  
 Engine Oil .....11  
 Wheel Drive Components .....12  
 Storage Procedure .....12  
 Mower Blade Replacement .....13  
 Blade Sharpening .....13  
 Wheel Drive Control Adjustment .....14  
 Belt Service .....15  
 Engine Drive Belt Replacement .....15  
 Battery Service .....16  
 Rear Cover Removal & Installation .....17  
 Service Schedule .....18



**Troubleshooting** .....19

**Warranty** .....20

**Slope Guide** .....21

 **WARNING** 

Battery posts, terminals and related accessories contain lead and lead compounds, chemicals known to the State of California to cause cancer and birth defects or other reproductive harm. Wash hands after handling.

 **WARNING** 

Engine exhaust, some of its constituents, and certain vehicle components contain or emit chemicals known to the State of California to cause cancer or other reproductive harm.



## IMPORTANT OPERATOR SAFETY INSTRUCTIONS



**WARNING:** This powerful cutting machine is capable of amputating hands and feet and can throw objects that can cause injury and damage! Failure to comply with the following SAFETY instructions could result in serious injury or death to the operator or other persons. The owner of the machine must understand these instructions and must allow only persons who understand these instructions to operate machine. Each person operating the machine must be of sound mind and body and must not be under the influence of any substance, which might impair vision, dexterity or judgment. If you have any questions pertaining to your machine which your dealer cannot answer to your satisfaction, call or write the Customer Service Department at SNAPPER, McDonough, Georgia 30253. Phone: (1-800-317-7833).

### PROTECTION FOR CHILDREN

Tragic accidents can occur if the operator is not alert to the presence of children. Children are often attracted to the machine and the mowing activity. Never assume that children will remain where you last saw them.

1. KEEP children out of the mowing area and under the watchful care of a responsible adult other than the operator.
2. DO NOT allow children in yard when machine is operated and turn machine OFF if anyone enters the area.
3. DO NOT allow pre-teenage children to operate machine.
4. ALLOW only responsible adults & teenagers with mature judgment under close adult supervision to operate machine.
5. DO NOT pull mower backwards unless absolutely necessary. LOOK and SEE behind and down for children, pets and hazards before and while backing.
6. USE EXTRA CARE when approaching blind corners, shrubs, trees, or other objects that may obscure vision.

### SLOPE OPERATION

1. Slopes are a major factor related to slip and fall accidents, which can result in severe injury. All slopes require extra caution. If you feel uneasy on a slope, DO NOT mow it.
2. Mow across slopes, never up-and-down. Exercise extreme CAUTION when changing directions on slopes. DO NOT mow steep slopes or other areas where stability or traction is in doubt. Refer to the Slope Guide at the back of this manual.
3. Use extra care with grass catchers or other attachments; these affect the handling and the stability of the machine.

### PREPARATION

1. Read, understand, and follow instructions and warnings in this manual and on the mower, engine and attachments. Know the controls and the proper use of the mower before starting.
2. Only mature, responsible persons shall operate the machine and only after proper instruction.
3. Data indicates that operators age 60 and above, are involved in a large percentage of mower-related injuries. These operators should evaluate their ability to operate the mower safely enough to protect themselves and others from serious injury.
4. Handle fuel with extra care. Fuels are flammable and vapors are explosive. Use only an approved fuel container. DO NOT remove fuel cap or add fuel with engine running.

### PREPARATION

#### (Continued From Previous Column)

Add fuel outdoors only with engine stopped and cool. Clean spilled fuel and oil from machine. DO NOT smoke.

5. Check the area to be mowed and remove all objects such as toys, wire, rocks, limbs and other objects that could cause injury if thrown by blade or interfere with mowing. Also note the location of holes, stumps, and other possible hazards.
6. Keep people and pets out of the mowing area. Immediately, STOP Blade, Stop engine and Stop mower if anyone enters the area.
7. Check shields, deflectors, switches, blade controls and other safety devices frequently for proper operation and location.
8. Make sure all safety decals are clearly legible. Replace if damaged.
9. Protect yourself when mowing and wear safety glasses, long pants and substantial footwear. DO NOT mow barefooted or with sandals.
10. Know how to STOP blade and engine quickly in preparation for emergencies.
11. Use extra care when loading or unloading the machine into a trailer or truck.
12. Check grass catcher components frequently for signs of wear or deterioration and replace as needed to prevent injury from thrown objects going through weak or torn spots.

### SAFE HANDLING OF GASOLINE

To avoid personal injury or property damage, use extreme care in handling gasoline. Gasoline is extremely flammable and the vapors are explosive.

1. Extinguish all cigarettes, cigars, pipes and other sources of ignition.
2. Use only an approved fuel container.
3. DO NOT remove fuel cap or add fuel with the engine running. Allow the engine to cool before refueling.
4. DO NOT refuel the machine indoors.
5. DO NOT store the machine or fuel container inside where there is an open flame, spark or pilot light such as on a water heater or other appliances.
6. DO NOT fill fuel containers inside a vehicle or on a truck or trailer bed with a plastic liner. Always place the containers on the ground away from the vehicle before filling.



## IMPORTANT OPERATOR SAFETY INSTRUCTIONS (Continued)



### SAFE HANDLING OF GASOLINE (Continued From Previous Page)

7. Remove gas-powered equipment from the vehicle or trailer and refuel it on the ground. If this is not possible, then refuel equipment using a portable container, rather than a gasoline dispenser nozzle.
8. DO NOT start gas powered equipment in enclosed vehicles or trailers.
9. Keep the nozzle in contact with the rim of the fuel tank or container opening at all times until fueling is complete. DO NOT use a nozzle lock-open device
10. If fuel is spilled on clothing, change clothing immediately.
11. DO NOT overfill a fuel tank. Replace fuel cap and tighten securely.

### OPERATION

1. DO NOT put hands or feet near or under rotating parts. Keep clear of discharge area while engine is running.
2. STOP engine when crossing gravel drives, walks, or roads, and under any conditions where thrown objects might be a hazard.
3. Mow only in daylight or good artificial light.
4. DO NOT operate mower while under the influence of alcohol or drugs.
5. After striking a foreign object or if mower vibrates abnormally, STOP the engine, disconnect and secure spark plug wire. Inspect the mower for any damage and repair the damage before starting.
6. DO NOT mow near drop offs, ditches or embankments. Operator could lose footing or balance.
7. STAY ALERT for holes and other hidden hazards. Tall grass can hide obstacles. Keep away from ditches, washouts, culverts, fences and protruding objects.
8. DO NOT mow on wet grass. Always be sure of your footing. Keep a firm hold on the handle and walk, never run. Slipping could cause injury.
9. ALWAYS stay behind handle when engine (motor) is running.
10. DO NOT leave the machine with the engine running. STOP BLADE and STOP ENGINE before leaving the operators position for any reason.
11. Before cleaning, repairing or inspecting make certain engine, blade and all moving parts have STOPPED. Disconnect and secure spark plug wire away from plug to prevent accidental starting.
12. STOP engine and wait until the blade comes to complete STOP before removing grass bag and/or clearing grass.
13. DO NOT operate mower without the entire grass catcher, or guards in place discharge guard, rear guard or other safety devices in place and working. DO NOT point discharge at people, passing cars, windows or doors.

### OPERATION (Continued From Previous Column)

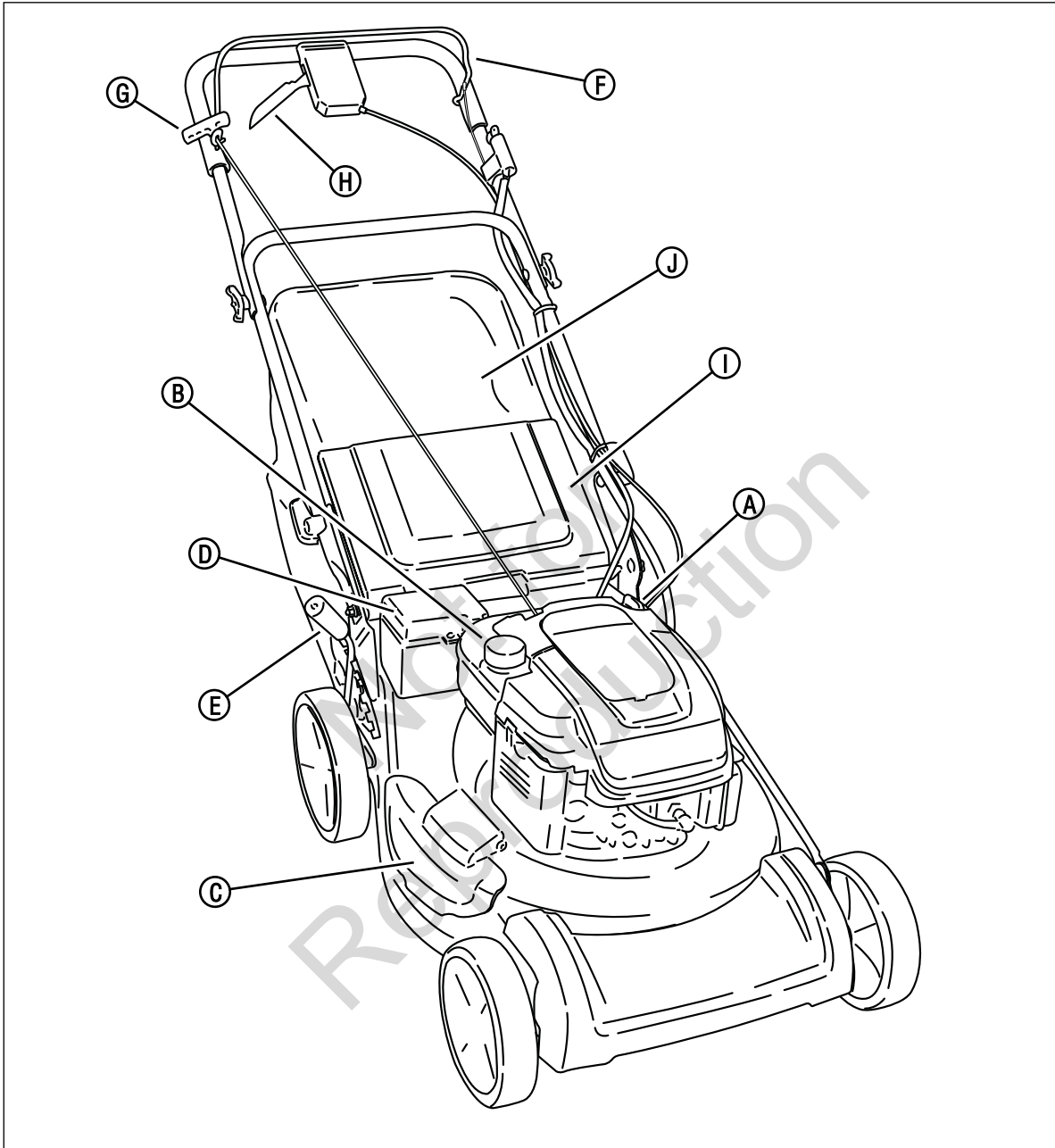
14. DO NOT discharge material against a wall or obstruction. Material may ricochet back towards the operator.
15. Slow down before turning.
16. Watch out for traffic when near or crossing roadways.
17. DO NOT operate engine in enclosed areas. Engine exhaust gases contain carbon monoxide, a deadly poison.
18. Only use accessories approved by the manufacturer. See manufacturer's instructions for proper operation and installation of accessories.

### MAINTENANCE AND STORAGE

1. DO NOT store mower or fuel container inside where fumes may reach an open flame, spark or pilot light such as in a water heater, furnace, clothes dryer or other gas appliance. Allow engine to cool before storing machine in an enclosure. Store fuel container out of reach of children in a well ventilated, unoccupied building.
2. Keep mower and engine free of grass, leaves or excess grease to reduce fire hazard and engine overheating.
3. When draining fuel tank, drain fuel into an approved container outdoors and away from open flame.
4. Keep all bolts, especially blade bolts, nuts and screws properly tight. Check that all cotter pins are in proper position.
5. Always provide adequate ventilation when running engine. Engine exhaust gases contain carbon monoxide, a deadly poison.
6. Service engine and make adjustments only when engine is stopped. Removed spark plug wire from spark plug and secure wire away from spark plug to prevent accidental starting.
7. DO NOT change engine governor speed settings or overspeed engine.
8. Check grass bag assembly frequently for wear or deterioration to avoid thrown objects and exposure to moving parts. Replace with new bag if loose seams or tears are evident. Replace slider or bag adapter if broken or cracked.
9. Mower blades are sharp and can cut. Wrap the blades or wear heavy leather gloves and use CAUTION when handling them.
10. DO NOT test for spark by grounding spark plug next to spark plug hole; spark plug could ignite gas exiting engine.
11. Have machine serviced by an authorized SNAPPER dealer at least once a year and have the dealer install any new safety devices.
12. Use only genuine SNAPPER replacement parts to assure that original standards are maintained.

**IMPORTANT**

The figures and illustrations in this manual are provided for reference only and may differ from your specific model. Contact your Snapper dealer if you have questions.



**Features and Controls**

- |    |                           |    |                     |
|----|---------------------------|----|---------------------|
| A. | Oil Fill Cap and Dipstick | F. | Blade Control       |
| B. | Fuel Filler Cap           | G. | Rope Start Handle   |
| C. | Recycling Cover           | H. | Drive Wheel Control |
| D. | Battery Box               | I. | Rear Discharge Door |
| E. | Height Adjustment Lever   | J. | Grass Bag           |

## Pre-Start Check List

Make the following checks and perform the service required before each start-up.

1. Check the guards, deflectors, grass bag, and covers to make sure all are in place and securely tightened.
2. Check the blade control (**A, Figure 1**) and wheel drive control (**B**) to insure they work freely.

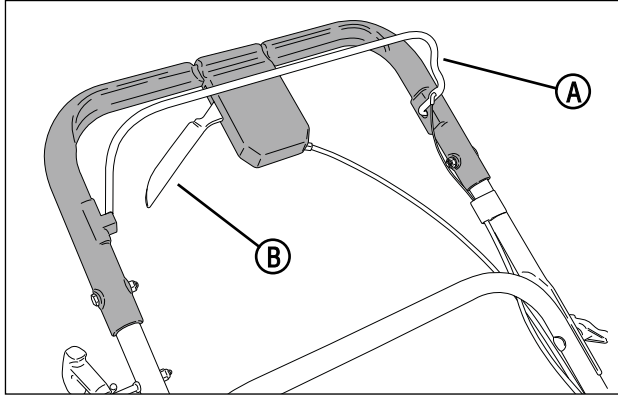


Figure 1: Mower controls

3. Check the cutting height. Adjust to the desired height. Refer to the Section 'Cutting Height Adjustment'.
4. Check the engine oil and add oil as needed to bring the level up to the full mark (**A, Figure 2**). Refer to the Engine Owner's Manual for oil specifications.

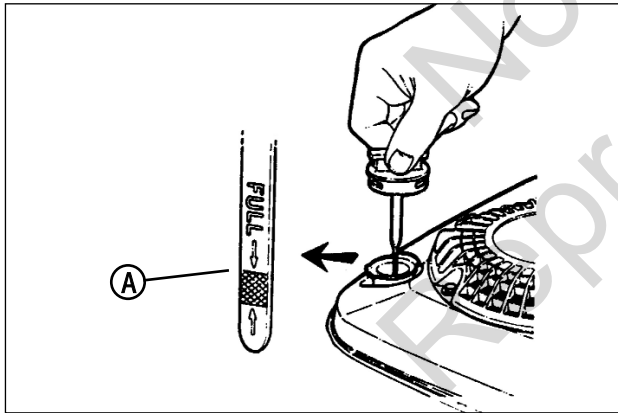


Figure 2: Checking engine oil

5. Add fuel to the tank after pushing the mower outside where fumes can safely dissipate. Fill the tank to 1-1/2 inches below the top of the filler neck (to allow for fuel expansion). Make sure the cap is tightened after fueling. Refer to the Engine Owners Manual for fuel specifications.
6. Clean the exterior surfaces of the cutting deck and engine of any accumulation of spilled fuel, dirt, grass, oil, etc. Keep the engine air intake screen and cooling fins clear at all times.

## Starting and Operation

### Engine and Blade

1. Pull the blade control (**A, Figure 3**) against the handle.
2. Start the mower:
  - Manual Start Models:** Pull the rope start handle (**B**) to crank the engine.
  - Electric Start Models:** Insert the key (**C**) into the ignition switch (**D**), located on the right side of the handle above the rope guide. Turn the key to crank the engine.
3. After the engine starts, allow a brief warm-up until the engine runs smooth before beginning mower operation.

**NOTE:** To stop the engine (and blade), release the blade control.

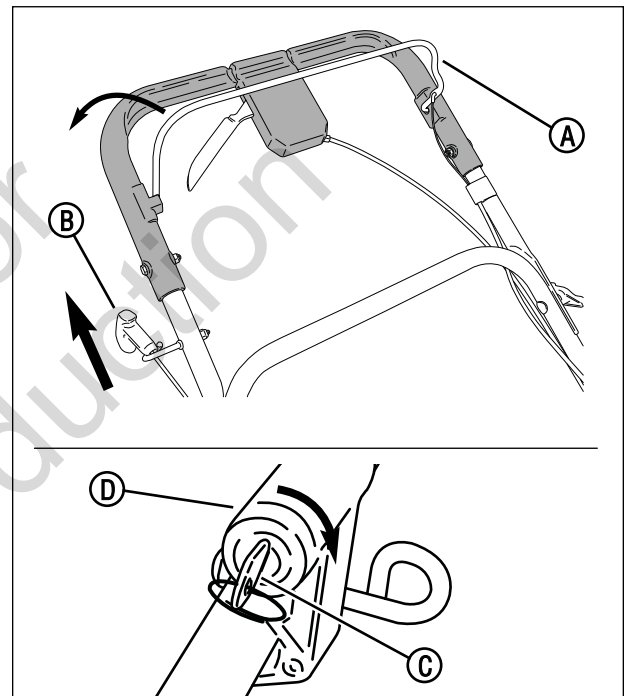


Figure 3: Starting the mower

## Starting and Operation (Continued)

### Propelling the Mower

1. Start the engine. Refer to the Section entitled “Starting and Operation – Engine and Blade”.
2. Begin squeezing the wheel drive control (**A, Figure 4**) back toward the handle to engage the wheel drive and propel the mower forward. Forward speed can be increased by squeezing the wheel drive control further back toward the handle.

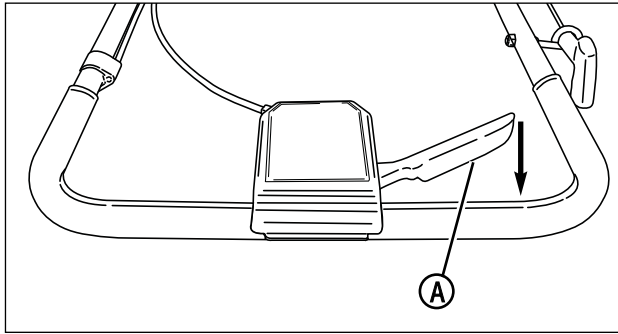


Figure 4: Wheel drive control  
(Components removed for clarity)

## Handle Height Adjustment

The height of the mower handle can be adjusted as follows:

1. Turn the two locking cams (**A, Figure 5**) a quarter-turn to unlock the handle assembly (**B**).
2. Align the handle assembly with one of the three handle height adjustment holes (**C**) in the mounting brackets.
3. Return the locking cams to their original position to lock the handle.

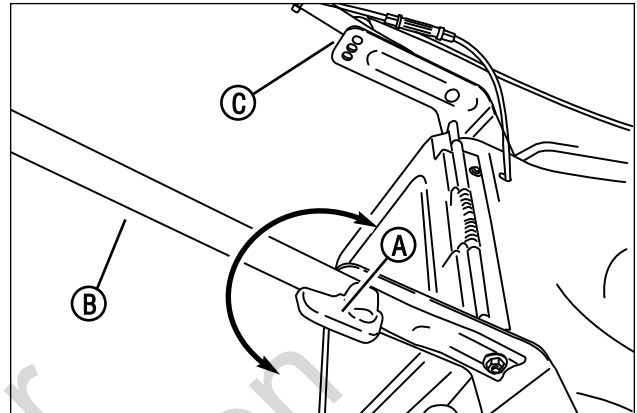


Figure 5: Adjusting the handle height

## Stopping

1. Stop forward motion of the mower by releasing the wheel drive control.
2. Stop the engine and blade by releasing the blade control.

	<b>WARNING</b>	
<p>DO NOT attempt any maintenance, adjustments or service with engine and blade running. STOP engine and blade. Disconnect spark plug wire and secure away from spark plug. Engine and components are HOT. Avoid serious burns, allow sufficient time for all components to cool.</p>		





## WARNING



DO NOT attempt any maintenance, adjustments or service with engine and blade running. STOP engine and blade. Disconnect spark plug wire and secure away from spark plug. Engine and components are HOT. Avoid serious burns, allow sufficient time for all components to cool.

## Cutting Height Adjustment

1. Pull the height adjusting lever (**A, Figure 6**) outward, and move to the desired cutting height. The highest cutting position is Notch 9 (**B; also see Figure 7**). The lowest cutting position is Notch 1 (**C**).

*Note: The lever will set all wheels to the same cutting height.*



## WARNING



Stop engine and mower blade by releasing the blade control before adjusting cutting height.

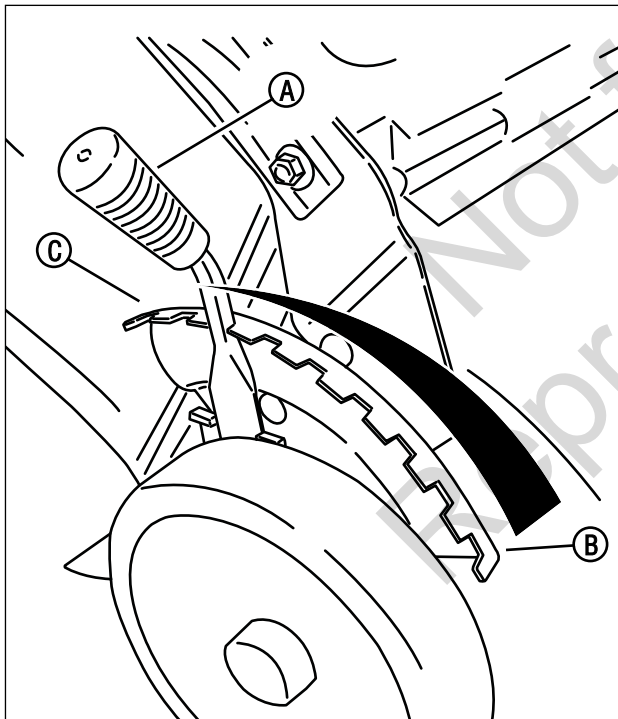


Figure 6: Adjusting cutting height

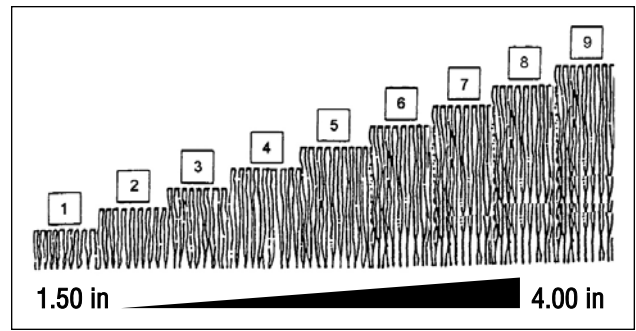


Figure 7: Cutting height settings (approximate)

## Recycling Operation

*Note: For best recycling results, cut up to a maximum of 1/3 of grass blade length and recycle ONLY when grass is dry.*

1. Set the height adjustment lever in the highest cutting position (Notch 9). Refer to the Section entitled "Cutting Height Adjustment".
2. Proceed mowing slowly. If the grass is very dense, lower the height adjustment lever one notch lower to improve recycling performance.

## Installing the Discharge Deflector

1. Raise the recycling cover (**A, Figure 8**).

*Important: The recycling cover should remain on the machine at all times. Do not remove.*

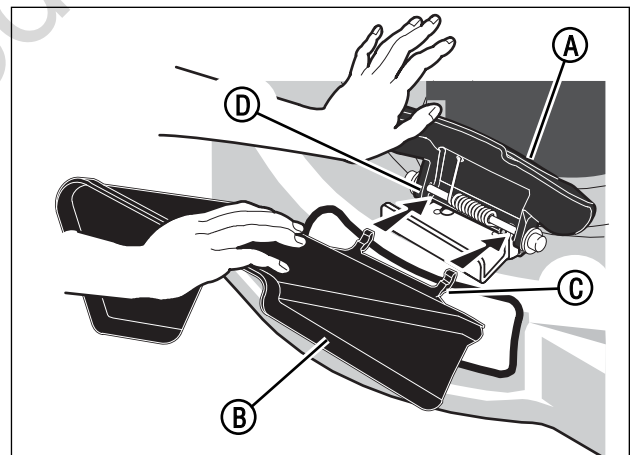


Figure 8: Installing the discharge deflector

2. Install the deflector (**B**) to the deck under the recycling cover, making sure that:
  - The tabs (**C**) hook under the pivot rod (**D**).
  - The locking tab on the deck (**A, Figure 9**) goes through the slot in the deflector (**B**).
3. Lower the recycling cover against the deflector.

**! WARNING !**  
 DO NOT attempt any maintenance, adjustments or service with engine and blade running. STOP engine and blade. Disconnect spark plug wire and secure away from spark plug. Engine and components are HOT. Avoid serious burns, allow sufficient time for all components to cool.

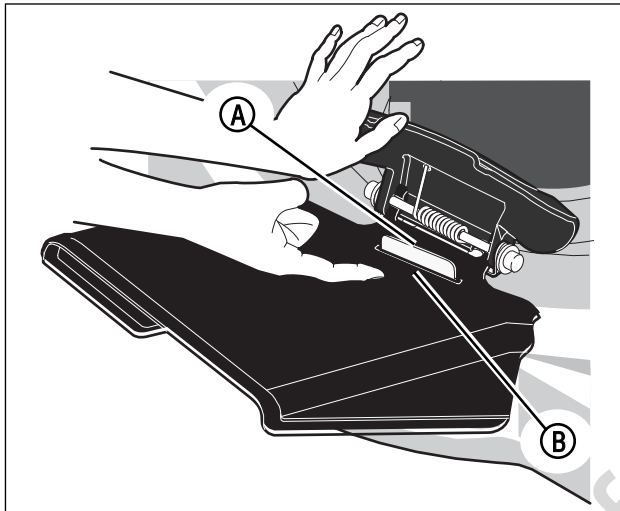


Figure 9: Deflector locking tab

### Removing the Recycling Plug

1. Raise the rear discharge door (A, Figure 10).
2. Remove the recycling plug (B) from the rear discharge chute.

*Note:* The recycling plug should be removed only when bagging is desired, and should be replaced as soon as bagging operations are completed.

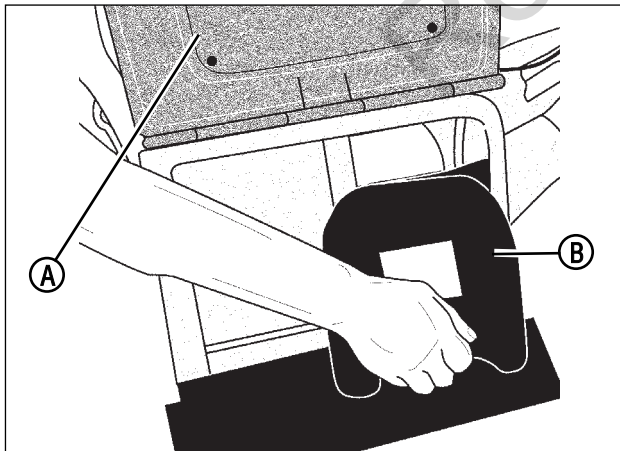


Figure 10: Removing the recycling plug

### Installing the Grass Bag

1. Raise the rear discharge door (A, Figure 11).
2. Remove the recycling plug. Refer to the section entitled "Removing the Recycling Plug".
3. Holding the grass bag handle (B), install the grass bag onto the back of the mower, making sure that the grass bag hooks (A, Figure 12) are hooked onto the rear door pivot rod (B).

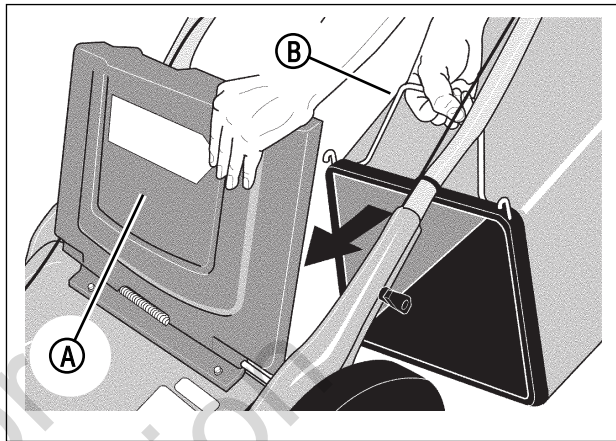


Figure 11: Installing the grass bag

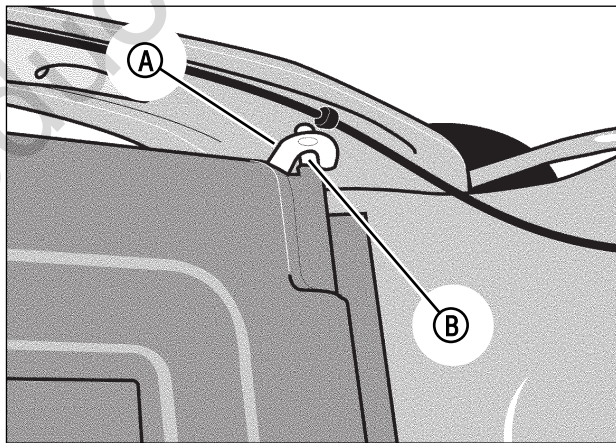


Figure 12: Grass bag hooks

**! WARNING !**  
 Grass Catcher bags used on SNAPPER products are made of woven fabric, and are subject to deterioration and wear during normal usage. Check condition of bag before each use. Immediately replace worn or damaged catcher bags with only bags recommended by SNAPPER. The grass catcher is optional equipment on some models.

## Maintenance - Introduction

To retain the quality of the mower, use genuine SNAPPER replacement parts only. Contact a local SNAPPER dealer for parts and service assistance. For the correct part or information for a particular mower, always mention the model and serial number.



### WARNING



DO NOT attempt any maintenance, adjustments or service with engine and blade running. STOP engine and blade. Disconnect spark plug wire and secure away from spark plug. Engine and components are HOT. Avoid serious burns, allow sufficient time for all components to cool. Wear heavy leather gloves when handling or working around cutting blades. Blades are extremely sharp and can cause severe injury.

## Service - After First 5 Hours

### Change Engine Oil

1. Refer to the Engine Manual for proper oil specifications, procedures and proper service intervals.
2. For the simplest/cleanest oil change, simply turn the mower on its side to drain the oil, as shown. Drain the oil through the dipstick tube (A, Figure 13) into a container. Allow sufficient time for all the oil to drain.

**Important:** Drain the fuel tank before tipping the machine. DO NOT tip the machine with the carburetor or spark plug down. Oil from the crankcase will saturate the air filter and cause the engine to be hard to start or not start at all. If contamination does occur, the air filter will have to be replaced.

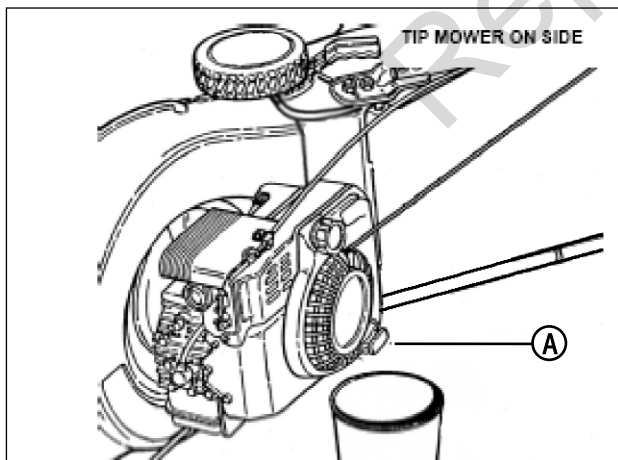


Figure 13: Draining the engine oil

3. Dispose of drain oil properly.
4. Fill the engine with oil as specified in the Engine Manual. Do Not overfill.

### Check Mower Blade

1. Disconnect the spark plug wire and secure the end away from the plug.
2. Tilt the mower up on its rear wheels for access to the blade cap screw (A, Figure 14). Do not tilt the mower with the spark plug or carburetor down.

**Important:** Drain the fuel tank before tipping the mower. DO NOT tip the machine with the carburetor or spark plug down. Oil from the crankcase will saturate the air filter and cause the engine to be hard to start or not start at all. If contamination does occur, the air filter will have to be replaced.

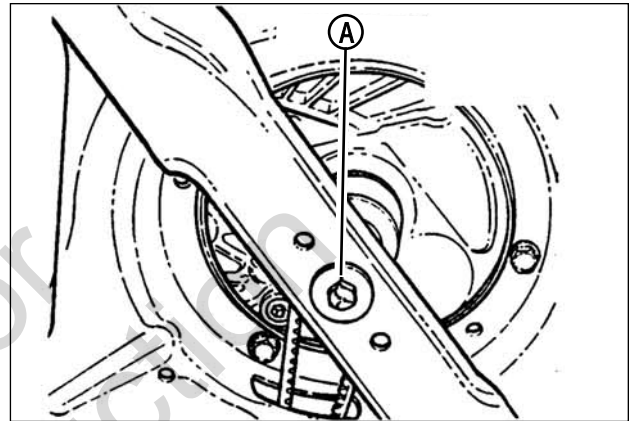


Figure 14: Tightening the blade cap screw

3. Check the torque of the blade cap screw. Recommended torque should be 40 ft. lbs.
4. Check the blade for sharpness, wear and damage. Refer to the Section entitled "Blade Wear Limits".

### Check Engine Drive Belt

1. Visually check the engine drive belt for cracking, fraying, severed or exposed belt strands. If worn or damaged, replace the belt before operating the mower.

## Service - Periodic

Perform all maintenance as described in the "Service Schedule" section of this manual.

### Engine

Service the engine according to the engine owner's manual.

### Air Filter

Refer to the engine owner's manual for service instructions.

### Engine Oil

Refer to the engine owner's manual for service instructions.



## WARNING



DO NOT attempt any maintenance, adjustments or service with engine and blade running. STOP engine and blade. Disconnect spark plug wire and secure away from spark plug. Engine and components are HOT. Avoid serious burns, allow sufficient time for all components to cool. Wear heavy leather gloves when handling or working around cutting blades. Blades are extremely sharp and can cause severe injury.

### Wheel Drive Components

1. Remove the rear cover. Refer to the Section entitled “Rear Cover Removal & Installation”.
2. Clean any debris buildup on or around the transmission, axles, idler, pulleys, belt, etc., as well as on the inside of the cover. Check components for wear or damage. Replace worn or damaged components immediately.
3. Replace the rear cover.

**Important:** DO NOT operate the mower without the rear cover securely in place.

### Storage Procedure

Refer to the Engine Owner’s Manual for directions regarding engine storage preparations. Prepare the mower for “end of season” storage as follows:

1. Drain the fuel from the fuel tank and let the engine run until all fuel is out of the carburetor.
2. Disconnect and remove the spark plug wire away from the spark plug before any other preparations are made!
3. Tape all openings closed to prevent spraying water into the exhaust or air intakes during washing.
4. Tilt the mower up on its rear wheels and thoroughly clean the underside of the deck. Do not tilt the mower with the spark plug or carburetor down. Scrape away any accumulation of grass with a putty knife and/or wire brush.
5. Lubricate all exposed metal with a light coating of oil to prevent corrosion.
6. Carefully fold the handles, “flexing” the control cables to prevent cable damage.
7. Store the mower in a shed or other dry area, protected from weather.

**⚠ WARNING ⚠**

DO NOT attempt any maintenance, adjustments or service with engine and blade running. STOP engine and blade. Disconnect spark plug wire and secure away from spark plug. Engine and components are HOT. Avoid serious burns, allow sufficient time for all components to cool. Wear heavy leather gloves when handling or working around cutting blades. Blades are extremely sharp and can cause severe injury.

## Mower Blade Replacement

### Standard Blade Wear Limit

1. Inspect the blade (Figure 15) frequently for signs of excessive wear or damage:
  - (A) New blade
  - (B) Wear limit (notch starts)
  - (C) Dangerous condition! Do not use on the mower!  
Replace with a new blade.

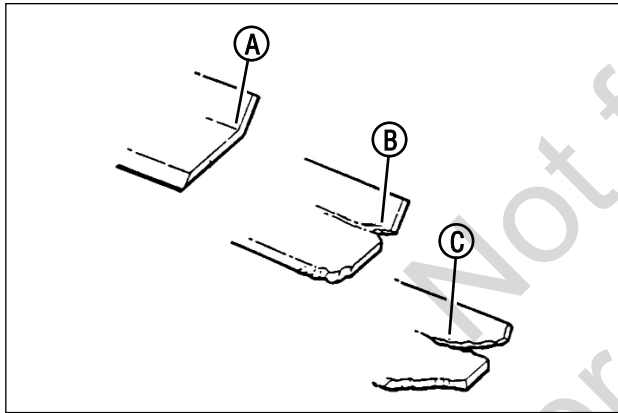


Figure 15: Mower blade wear limits

**⚠ WARNING ⚠**

DO NOT use a cutting blade that shows signs of excessive wear or damage. Refer to the Section entitled "MOWER BLADE REPLACEMENT" for proper blade inspection and service procedures.

### Blade Sharpening

1. Disconnect the spark plug wire and secure the end away from the plug.
2. Tilt the mower up on its rear wheels. Do not tilt the mower with the spark plug or carburetor down.

**Important:** Drain the fuel tank before tipping the mower. DO NOT tip the machine with the carburetor or spark plug down. Oil from the crankcase will saturate the air filter and cause the engine to be hard to start or not start at all. If contamination does occur, the air filter will have to be replaced.

3. Remove the blade (B, Figure 16).

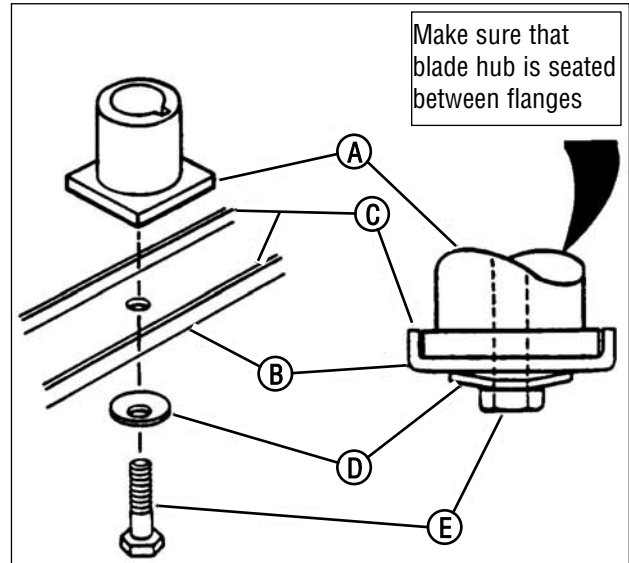


Figure 16: Removing the mower blade

4. Sharpen the blade on a grinding wheel at an angle of 22 to 28 degrees (B, Figure 17). DO NOT sharpen the blade beyond the original cutting edge (A).
5. Check blade for balance. If necessary, correct balance by grinding heavy end of blade.
6. Reinstall blade (B, Figure 16). Note the correct assembly order:
  - (A) Blade hub
  - (B) Blade
  - (C) Blade flange (facing up)
  - (D) Cone washer (concave side up)
  - (E) Capscrew
7. Check torque of blade retaining cap screw. Recommended torque should be 40 ft. lbs.

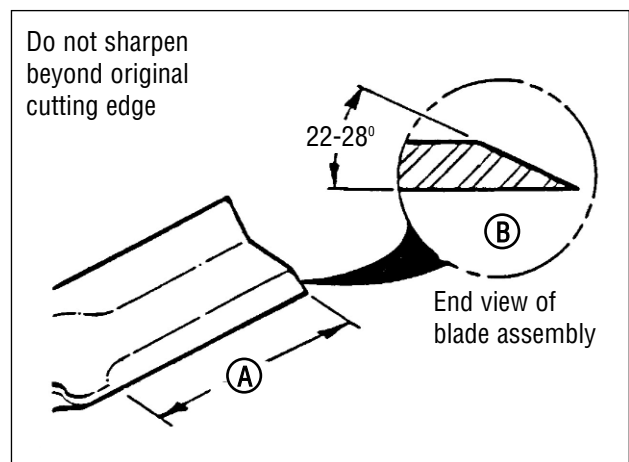


Figure 17: Sharpening the mower blade



## WARNING



DO NOT attempt any maintenance, adjustments or service with engine and blade running. STOP engine and blade. Disconnect spark plug wire and secure away from spark plug. Engine and components are HOT. Avoid serious burns, allow sufficient time for all components to cool.

## Wheel Drive Control Adjustment

The wheel drive control lever (A, Figure 18) should engage the transmission when the lever is squeezed back toward the handlebar, and should disengage the transmission when the lever is released.

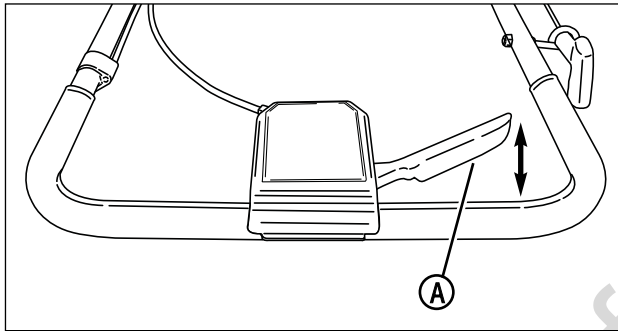


Figure 18: Wheel drive controls  
(Components removed for clarity)

If the transmission does not engage or disengage, adjustment may be performed as follows:

1. Remove the rear cover from the mower. Refer to the section entitled "Rear Cover Removal & Installation".
2. With the wheel drive control lever in the 'DISENGAGE' position, the spring (A, Figure 19) on the end of the wheel drive control cable should have no tension. Measure the overall length of the unextended spring (B).

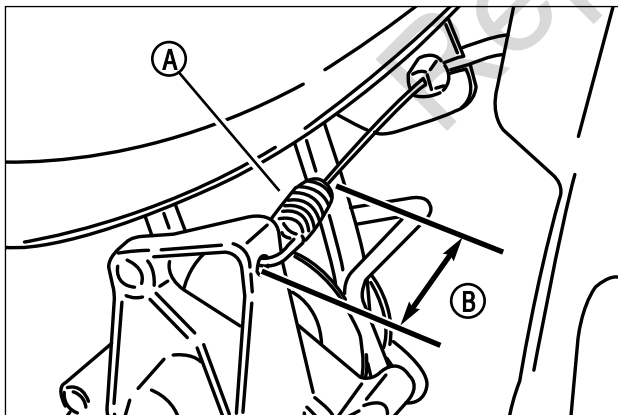


Figure 19: Measuring the disengaged transmission spring length

3. Fully engage the lever, and measure the length of the extended spring. The overall spring length should increase by 0.020 – 0.025".
4. To adjust spring extension:
  - a. Disengage the lever.
  - b. To increase (+) the extended spring length, loosen the jam nut (B, Figure 20) and rotate the ferrule (C) below the adjustment turnbuckle (A), located on the lower end of the wheel drive control cable, one-half turn out from the turnbuckle. Tighten the jam nut.
  - c. To decrease (-) the extended spring length, loosen the jam nut, and rotate the ferrule one-half turn in toward the turnbuckle. Tighten the jam nut.
5. Engage the lever and recheck the extended spring length. Repeat Step 4 as needed.

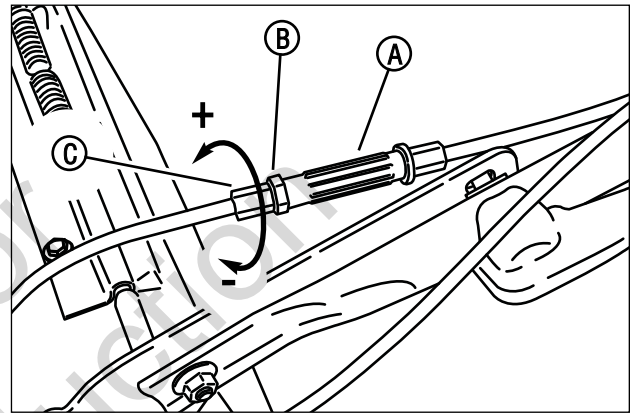


Figure 20: Adjusting the transmission spring tension

**IMPORTANT: INCORRECT ADJUSTMENT CAN CAUSE PREMATURE WEAR AND/OR DAMAGE TO THE WHEEL DRIVE COMPONENTS.**

**⚠ WARNING ⚠**

DO NOT attempt any maintenance, adjustments or service with engine and blade running. STOP engine and blade. Disconnect spark plug wire and secure away from spark plug. Engine and components are HOT. Avoid serious burns, allow sufficient time for all components to cool.

### Belt Service

On self-propelled mowers, the engine belt transmits power from the engine to the transmission that powers the rear wheels. Should the belt become worn, it could cause slippage, which would impair mower performance. The condition of the engine belt should be checked after every 25 hours of mower operation.

### Engine Drive Belt Replacement

1. Empty the fuel tank.
2. Remove the blade (**A, Figure 21**). Refer to the Section entitled "Blade Sharpening".
3. Remove the hardware (**B**) securing the two-piece belt cover beneath the deck. Remove the cover.
4. Remove the rear cover of the mower. Refer to the Section entitled "Rear Cover Removal & Installation".
5. To replace the belt:
  - a. Remove the hardware (**B, Figure 22**) securing the belt guide (**A**) to the transmission assembly. Remove the belt guide.
  - b. Remove the belt from the transmission and engine pulleys, noting the belt routing.
  - c. Replace the belt.
  - d. Replace the belt guide onto the transmission.
6. Replace the covers and blade.

*Note: Recommended blade torque is 40 ft. lbs.*

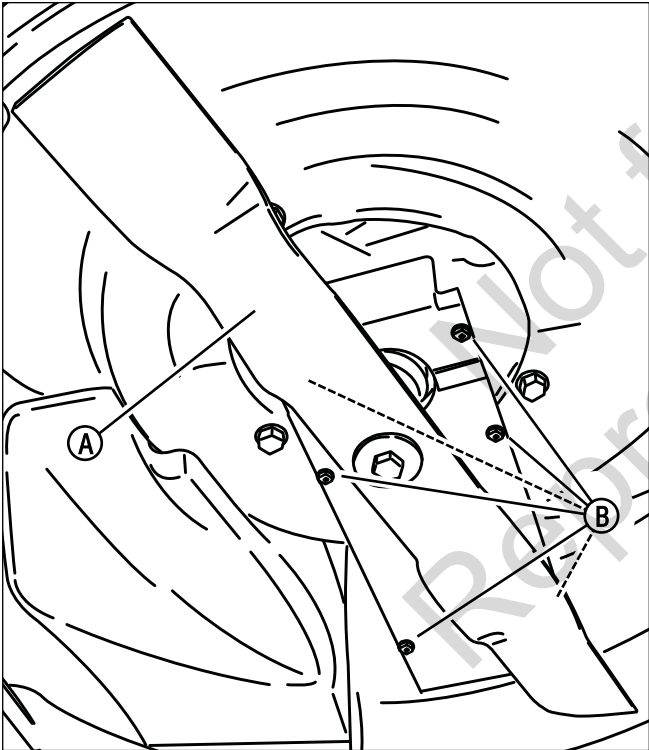


Figure 21: Removing the blade and belt cover

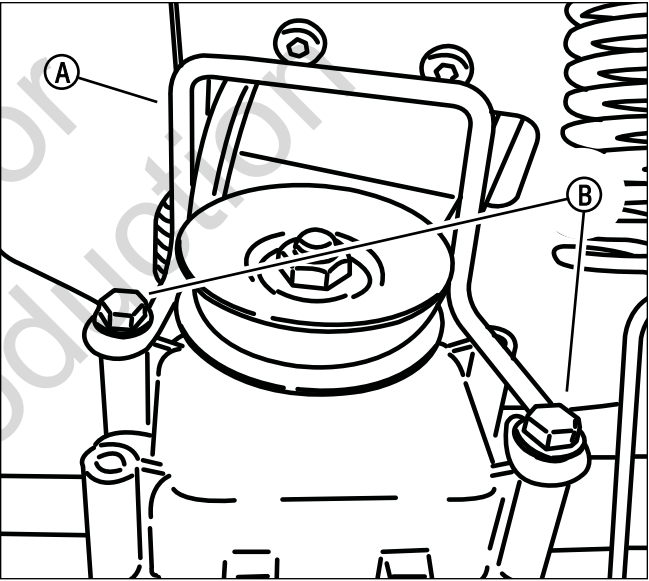


Figure 22: Removing the belt guide

**WARNING**

DO NOT attempt any maintenance, adjustments or service with engine and blade running. STOP engine and blade. Disconnect spark plug wire and secure away from spark plug. Engine and components are HOT. Avoid serious burns, allow sufficient time for all components to cool.

## Battery Service

### New Battery Preparation

1. Remove the battery from the carton.
2. Place the battery in a well ventilated area on a level non-concrete surface.
3. Test the battery. Refer to the Section entitled “Battery Testing”. If the battery needs charging, charge the battery. Refer to the Section entitled “Battery Charging”.
4. Connect the positive (+) lead (red) first, from the battery harness to the positive terminal (+) on the battery using the bolt and nut plate supplied with the battery. Connect the negative (-) lead (black) last, to the negative terminal (-) on the battery using the bolt and nut plate. Apply a small amount of grease over the terminals to prevent corrosion.

*NOTE: The battery may come with the harness already connected. If so, simply check to be sure the terminal hardware is securely tightened.*

5. Install the battery onto the power unit.
6. Plug the main harness connector (A, Figure 23) into the battery harness connector (B).

**WARNING**

Shield the positive terminal with terminal cover located on battery harness. This prevents metal from touching the positive terminal, which could cause sparks.

### Battery Service

1. Test the battery. Refer to the Section entitled “Battery Testing”. If the battery needs charging, charge the battery. Refer to the Section entitled “Battery Charging”.
3. If the battery will not accept a charge or is partially charged after charging per instructions, replace with a new battery.

### Battery Storage

If the mower is to be stored out of season on its rear bumper, it is recommended the battery be removed, charged and stored.

1. Remove the battery.
2. Perform battery service. Refer to the Section entitled “Battery Service”.
3. Store the battery in an area away from the mower on a wood surface.

*NOTE: Do not store the battery on a concrete surface.*

### Battery Testing

Check the battery’s state of charge using a voltmeter. Remember to hook the positive lead to the battery’s positive terminal, and the negative lead to the negative terminal. Check the reading against the chart below. If the voltage reads less than 12.80 volts, charge the battery. Refer to the Section entitled “Battery Charging”.

Battery Condition	
State of Charge	Digital Voltmeter
100% Charged	12.80v
75% Charged	12.40v
50% Charged	12.10v
25% Charged	11.90v
0% Charged	Less than 11.80v

### Battery Charging

To charge the battery:

1. With the supplied DC charger: Plug the charger connector into the battery harness connector (B, Figure 23). Plug the charger into a wall outlet and charge the battery for 48 hours. (Longer periods will not damage the battery.)

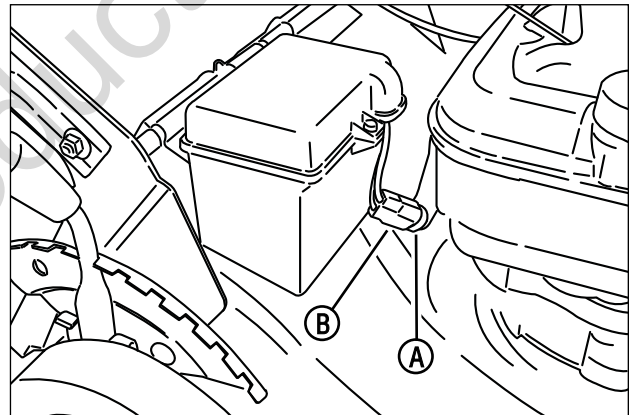


Figure 23: Battery connections

**WARNING**

Keep all sparks, flame and fire away from area when charging battery or when handling battery. Never use “BOOST” chargers on the battery.





## WARNING



DO NOT attempt any maintenance, adjustments or service with engine and blade running. STOP engine and blade. Disconnect spark plug wire and secure away from spark plug. Engine and components are HOT. Avoid serious burns, allow sufficient time for all components to cool.

## Rear Cover Removal and Installation

### To Remove the Rear Cover

1. Remove the three fasteners **(A, Figure 24)** securing the rear apron to the machine.
2. Remove the two fasteners **(B)** securing the rear cover to the machine.
3. Slide the cover **(C)** down and out to remove. Set all components aside.

### To Install the Rear Cover

1. Reverse steps 1-3 above, making sure the tab **(D)** on the rear cover is located on the outside of the machine.

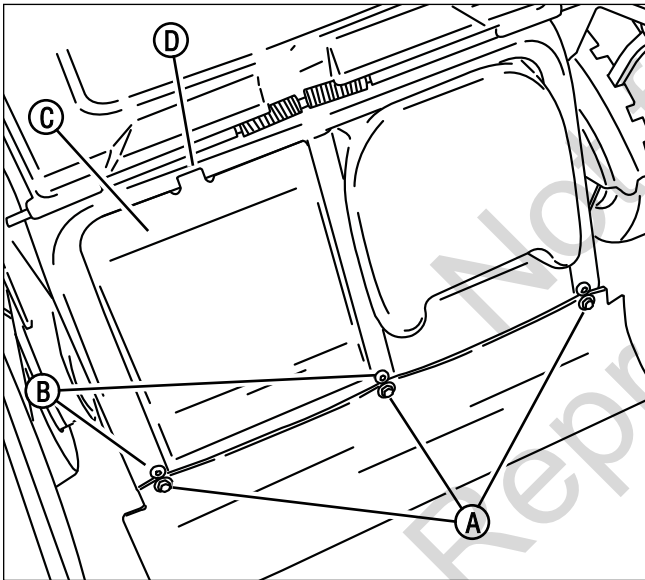


Figure 24: Removing the rear cover

# Service Schedule

ITEM	SERVICE PERFORMED	REF.	EACH USE	5 HRS	25 HRS	50 HRS	100 HRS	EACH SEASON
Engine Oil	Check Oil Level	Page 7	X					
	Initial Oil Change	Page 11		X				
	Periodic Oil Change	Page 11			X*			
Air Pre-Cleaner	Clean Sponge Element	Engine Manual			X**			
Air Cleaner	Clean or Replace	Engine Manual			X**			
Spark Plug	Replace	Engine Manual					X	
Engine Cooling System	Clean Shroud & Fins	Engine Manual					X**	
Drive Belt	Check for Wear and Tension	Page 11, 15			X	X		X
Mower Blade	Check for wear, Damage & Replacement	Page 11, 13	X					
Mower Deck	Clean Debris Accumulation	Page 7	X					
Wheel Drive Components	Clean Debris Accumulation; Check for Wear or Damage	Page 12			X			
Transmission Cable Spring Adjustment	Check & Adjust	Page 14		X	X			X

Maintenance

Not for  
Reproduction

# Troubleshooting

PROBLEM	PROBABLE CAUSE	CORRECTIVE ACTION
Engine Will Not Start Using Recoil Starter	1. Fuel tank empty. 2. Engine needs priming. 3. Spark plug wire disconnected.	1. Fill fuel tank with fresh fuel. 2. Prime. Check Engine Manual for Instructions. 3. Place spark plug wire onto spark plug.
Engine Will Not Start (Electric Start Models)	1. Fuel tank empty. 2. Engine needs priming. 3. Spark plug wire disconnected. 4. Wiring harness disconnected. 5. Battery dead.	1. Fill fuel tank with fresh fuel. 2. Prime. Check Engine Manual for Instructions. 3. Place spark plug wire onto spark plug. 4. Connect wiring harness. 5. Charge or replace battery.
Engine Stalls or Stops After Running	1. Blade control is released or is not being held securely against handle. 2. Fuel tank empty. 3. Engine air pre-cleaner and or air cleaner dirty. 4. Spark plug defective or gap set improperly. 5. Water, debris or stale fuel in fuel system.	1. Blade control should be held securely against handle at all times during operation of mower. 2. Fill with fuel to proper level. 3. Clean free of all debris. 4. Service spark plug. 5. Drain and clean fuel system.
Engine Loses Power	1. Engine air pre-cleaner or air cleaner dirty. 2. Spark plug faulty. 3. Water, debris or stale fuel in fuel system.	1. Clean or replace filters. 2. Service spark plug. 3. Drain and clean fuel system.
Excessive Vibration	1. Damaged, out of balance or bent mower blade. 2. Loose blade components. 3. Loose or missing air lift (if equipped). 4. Lumpy or frayed belt.	1. Service mower blade. 2. Service and tighten loose parts. 3. Replace air lifts. Tighten to proper torque. 4. Replace belt.
Mower Will Not Move Loss Of Traction	1. Build-up of debris on or around wheel drive components. 2. Transmission cable adjustment required. 3. Drive belt requires replacement. 4. Damaged transmission.	1. Clean debris. 2. Adjust transmission cable. 3. Replace drive belt. 4. Contact authorized SNAPPER dealer.
Transmission Noise	1. Transmission cable adjustment required. 2. Damaged transmission.	1. Adjust transmission cable. 2. Contact authorized SNAPPER dealer.
Ground Speed Too Fast / Too Slow; Unable to Adjust Ground Speed	1. Build-up of debris on or around wheel drive control components. 2. Transmission cable adjustment required. 3. Drive belt requires replacement. 4. Damaged transmission.	1. Clean debris. 2. Adjust transmission cable. 3. Replace drive belt. 4. Contact authorized SNAPPER dealer.
Cutting Grass Improperly	1. Cutting height too low or high. 2. Forward speed too fast. 3. Cutting blade dull or damaged.	1. Adjust cutting height. 2. Adjust to a slower speed. 3. Sharpen cutting edges or replace blade.
Poor Grass Discharge	1. Forward speed too fast. 2. Grass is wet. 3. Excessively worn or damaged blade. 4. Build up of grass clippings and debris under deck. 5. Improper blade installed on deck. 6. Blade installed improperly on deck.	1. Adjust to a slower speed. 2. Mow when grass is dry. 3. Service mower blade. 4. Clean deck. 5. Install proper SNAPPER blade. 6. Install blade properly.
Oil Leaking	1. Leaking engine case.	1. Contact authorized SNAPPER dealer. 2. Check and tighten drain plug. 3. Make sure dip stick or oil filler cap is securely in place.

# SNAPPER®

## 2 YEAR LIMITED WARRANTY

For two (2) years from purchase date for the original purchaser's residential, non-commercial use, SNAPPER, through any authorized SNAPPER dealer will replace, free of charge (except for taxes where applicable), any part or parts found upon examination by the factory at McDonough, Georgia, to be defective in material or workmanship or both.

For ninety (90) days from purchase date for the original purchaser's commercial, rental, or other non-residential use, SNAPPER, through any authorized SNAPPER dealer will replace, free of charge, any part or parts found upon examination by the factory at McDonough, Georgia, to be defective in material or workmanship or both.

All transportation costs incurred by the purchaser in submitting material to an authorized SNAPPER dealer for replacement under this warranty must be paid by the purchaser.

This warranty does not apply to certain transmissions, to engines and their components, and batteries, as these items are warranted separately. This warranty does not apply to parts that have been damaged by accident, alteration, abuse, improper lubrication, normal wear, or other cause beyond the control of SNAPPER. This warranty does not cover any machine or component part that has been altered or modified changing safety, performance, or durability.

Batteries have a one (1) year warranty period with free replacement if required for one (1) year from the original purchase date. SNAPPER will not be responsible for any installation cost incurred. The battery warranty only covers original equipment batteries and does not cover damage to the battery or machine caused by neglect or abuse, destruction by fire, explosion, freezing, overcharging, improper maintenance, or use of improper electrolyte.

There is no other express warranty.

### DISCLAIMER OF WARRANTY

Implied warranties, including those of merchantability and fitness for a particular purpose, are limited to two (2) years from purchase date for the original purchaser's residential or other non-commercial use, and ninety (90) days from purchase for the original purchaser's commercial, rental or other non-residential use, and to the extent permitted by law, any and all implied warranties are excluded. This is the exclusive remedy. Liabilities for consequential damages, under any and all warranties are excluded.

Some states do not allow limitations on how long an implied warranty lasts, or do not allow the exclusion or limitation of incidental or consequential damages, so the above limitation or exclusion may not apply to you.

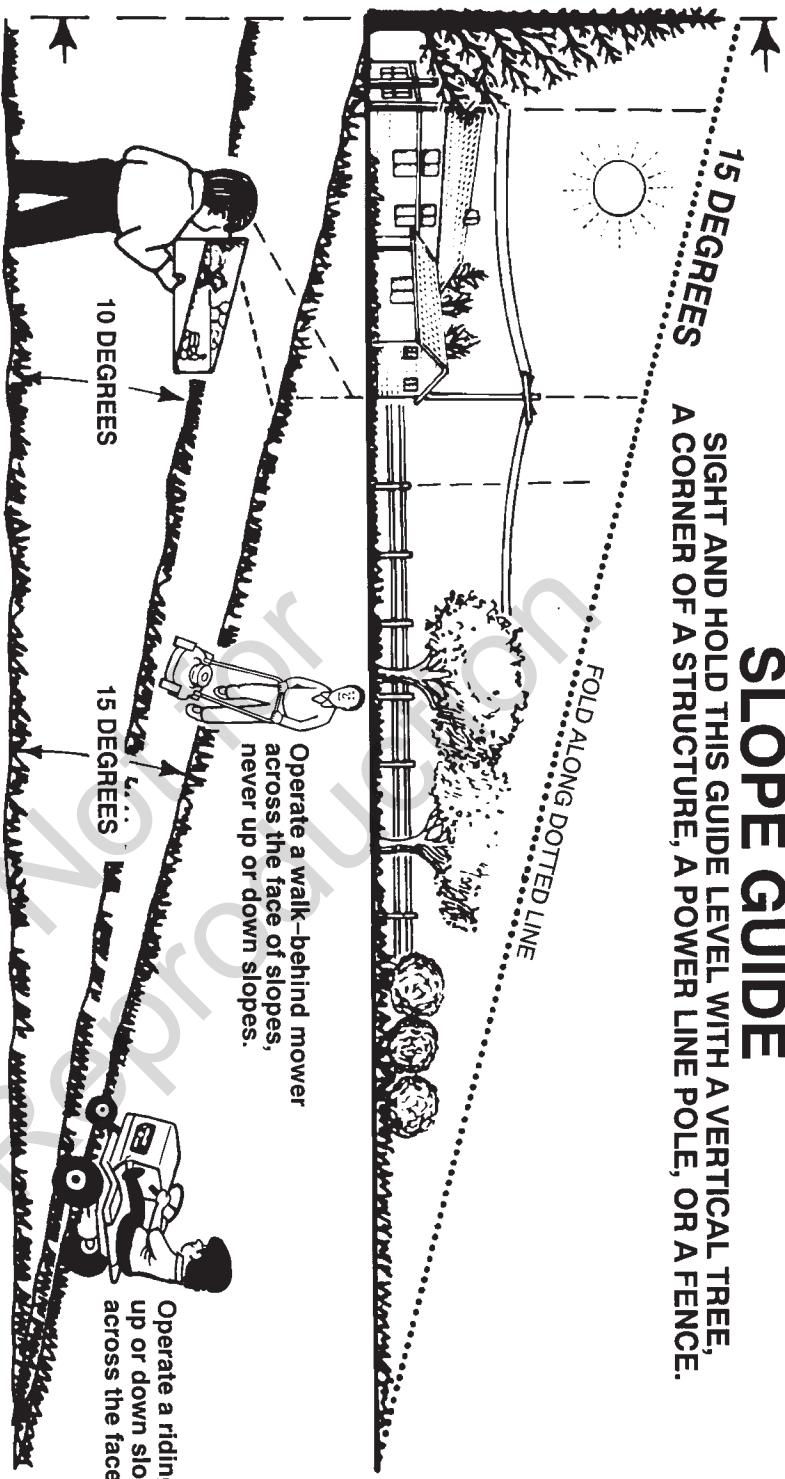
This warranty gives you specific legal rights, and you may also have other rights which vary from state to state.

WARNING: THE USE OF REPLACEMENT PARTS OTHER THAN GENUINE SNAPPER PARTS MAY IMPAIR THE SAFETY OF SNAPPER PRODUCTS AND WILL VOID ANY LIABILITY AND WARRANTY BY SNAPPER ASSOCIATED WITH THE USE OF SUCH PARTS.

**IMPORTANT:** Please fill out the attached SNAPPER Product Registration Card immediately and mail to:  
**Snapper's Product Registration Center, P.O. Box 1379, McDonough, Georgia 30253**

# SLOPE GUIDE

SIGHT AND HOLD THIS GUIDE LEVEL WITH A VERTICAL TREE, A CORNER OF A STRUCTURE, A POWER LINE POLE, OR A FENCE.



On a riding mower to determine if a slope is safe to mow: (1) disengage the blade(s), (2) put the unit in reverse, and (3) try to back straight up the slope. If you can back up the slope, it is generally safe to mow. However, if you do not feel safe, or if you are not completely sure, use this guide and do not mow a slope that is greater than 15 degrees. If the riding mower is used with a pull-behind or rear mounted attachment, do not operate the unit on a slope that is greater than 10 degrees.

A 15 degree slope is a hill that increases in height at approximately 2.5 feet in 10 feet. A 10 degree slope is a hill that increases in height at approximately 1.7 feet in 10 feet.



Use extreme care at all times, and avoid sudden turns or maneuvers. Follow other instructions in this manual for safety in mowing on slopes. Operate a riding mower up or down slopes, never across the face of slopes. Operate a walk-behind mower across the face of slopes, never up or down slopes. Use extra care when operating on or near slopes and obstructions.

CUT HERE TO USE SLOPE GUIDE





# SNAPPER®

## 21" VARIABLE SPEED REAR DISCHARGE WALK BEHIND MOWERS

---

### Product Specifications (All)

Deck Size (in)	21
Height of Cut (in)	1.25 - 4
Transmission Type	Variable Speed/Gear
Ground Speed (mph)	0 - 4.2
Engine Power (ft-lbs)	6.75
Engine Displacement (cc)	190
Fuel Tank Capacity (qt)	1.6

### Common Service Parts

Blade Control Cable (SPV21675, NSPV21675)	7101399
Blade Control Cable (SPV21675E, NSPV21675E)	7102606
Wheel Drive Control Cable	7101398
Cutter Blade (Double Wave)	7100242
Drive Belt	7100883
Parts Manual	7006259

### Part Number

---

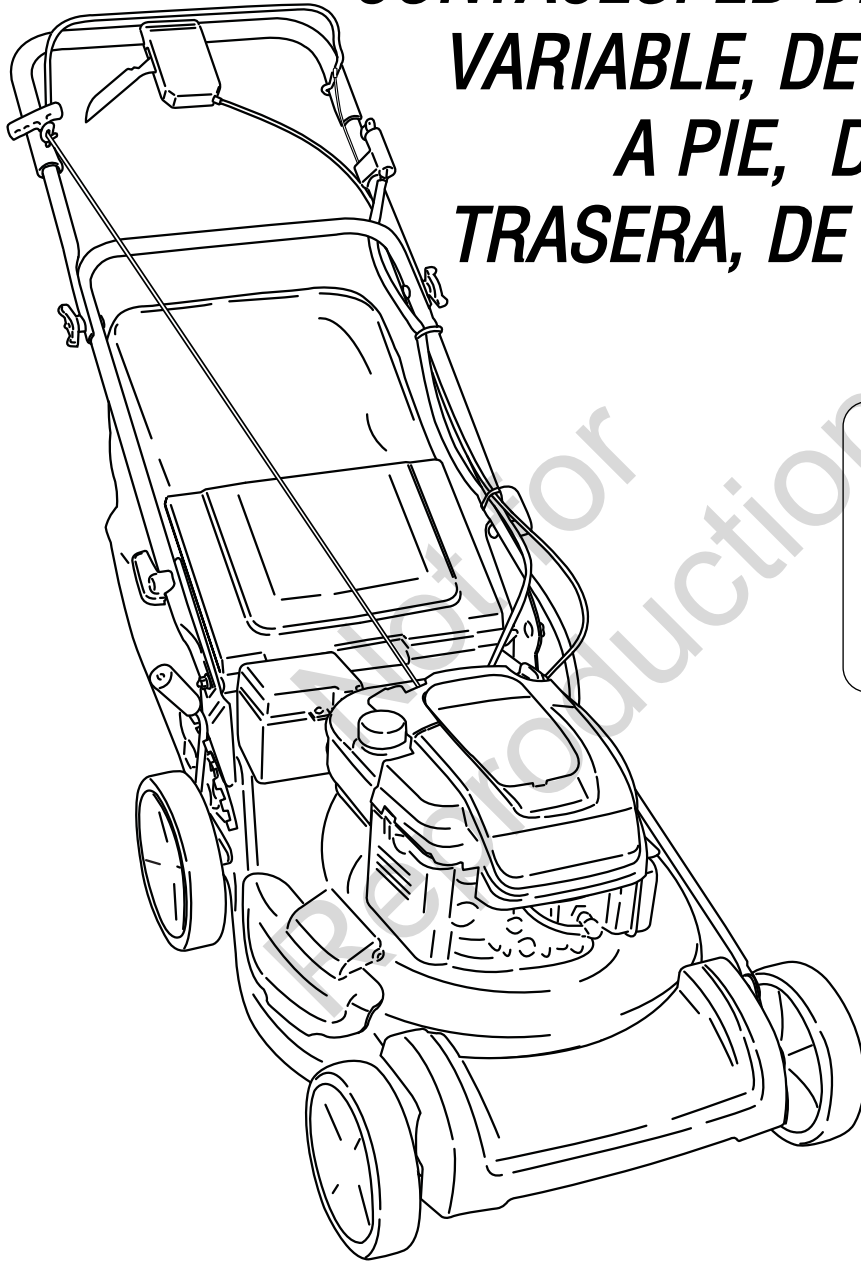
**Engine Power Rating Information:** The gross power rating for individual gas engine models is labeled in accordance with SAE (Society of Automotive Engineers) code J1940 (Small Engine Power & Torque Rating Procedure), and rating performance has been obtained and corrected in accordance with SAE J1995 (Revision 2002-05). Torque values are derived at 3060 RPM; horsepower values are derived at 3600 RPM. Actual gross engine power will be lower and is affected by, among other things, ambient operating conditions and engine-to-engine variability. Given both the wide array of products on which engines are placed and the variety of environmental issues applicable to operating the equipment, the gas engine will not develop the rated gross power when used in a given piece of power equipment (actual "on-site" or net horsepower). This difference is due to a variety of factors including, but not limited to, accessories (air cleaner, exhaust, charging, cooling, carburetor, fuel pump, etc.), application limitations, ambient operating conditions (temperature, humidity, altitude), and engine-to-engine variability. Due to manufacturing and capacity limitations, Briggs & Stratton may substitute an engine of higher rated power for this Series engine.



*Manual del usuario e instrucciones de seguridad para el*

# **SNAPPER®**

**CORTACÉSPED DE VELOCIDAD  
VARIABLE, DE CONDUCTOR  
A PIE, DE DESCARGA  
TRASERA, DE 21" (53.2 cm)**



## **Modelos**

**SPV21675 (7800179)**  
**SPV21675E (7800417)**  
**NSPV21675 (7800421)**  
**NSPV21675E (7800422)**

NOTA: las especificaciones son correctas a la fecha de impresión, y están sujetas a cambios sin aviso previo.

\* La potencia sostenida real del motor será probablemente menor, debido a limitaciones operativas y factores ambientales. Para obtener más detalles, consulte 'Información sobre especificación de potencia del motor'.

**Gracias por** comprar este producto de calidad Snapper. Nos complace que haya puesto su confianza en la marca Snapper. Cuando se maneja y mantiene de acuerdo a las instrucciones que aparecen en este manual, su producto Snapper brindará muchos años de servicio seguro.

**Este manual contiene** información sobre la seguridad para que esté enterado de los peligros y riesgos asociados con la máquina y cómo evitarlos. Esta máquina está diseñada y destinada solamente para el corte de acabado de los céspedes establecidos y para ningún otro fin. Es importantee que lea detenidamente estas instrucciones antes de intentar poner en marcha o manejar este equipo. Guarde estas instrucciones para referencia en el futuro.

## REGISTRO DEL PRODUCTO

**IMPORTANTEE: GUARDE ESTA INFORMACIÓN PARA SU ARCHIVO PERSONAL**  
(Llene la información siguiente sobre su compra Snapper)

Fecha de compra \_\_\_\_\_

Concesionario \_\_\_\_\_

Número de teléfono del concesionario \_\_\_\_\_

### Equipo

Nº de modelo \_\_\_\_\_

Nº de \_\_\_\_\_

### Motor

Modelo \_\_\_\_\_ Tipo \_\_\_\_\_ Trim \_\_\_\_\_

Es muy importantee que usted inscriba su compra con Snapper para asegurar la cobertura de garantía.  
Envíe su tarjeta de registro del producto a:

**Snapper at P.O. Box 1379, McDonough, Georgia 30253.**

Puede contactarnos en nuestro sitio web ([www.snapper.com](http://www.snapper.com)), o si desea hablar con un representante de servicio al cliente, llámenos al Centro de Atención al Cliente Snapper al 1-800-317-7833. Para agilizar el servicio, tenga a mano el número de serie y de modelo de su máquina.

# Índice

<b>Seguridad del operador</b> .....	<b>4</b>
Instrucciones importantes de seguridad del operador .....	4
<b>Características y controles</b> .....	<b>6</b>
<b>Manejo</b> .....	<b>7</b>
Lista de comprobación antes del arranque .....	7
Arranque y parada del motor y la cuchilla .....	7
Propulsión del cortacésped .....	8
Ajuste de la altura del asidero .....	8
Ajuste de la altura de corte .....	9
Operación de reciclaje .....	9
Instalación del deflector de descarga .....	10
Desmontaje del elemento de reciclaje .....	10
Instalación de la bolsa de césped .....	10
<b>Mantenimiento</b> .....	<b>11</b>
Cambio del aceite de motor .....	11
Revisión de la cuchilla del cortacésped .....	11
Revisión de la correa de transmisión del motor .....	11
Servicio de mantenimiento - Periódico .....	11
Motor .....	11
Filtro de Aire .....	11
Aceite de motor .....	11
Componentes del sistema de tracción de las ruedas .....	12
Procedimiento de almacenamiento .....	12
Reemplazo de la cuchilla del cortacésped .....	13
Afilado de la cuchilla .....	13
Ajuste del control del sistema de tracción de las ruedas .....	14
Servicio de mantenimiento de la correa .....	15
Reemplazo de la correa de transmisión del motor .....	15
Servicio de mantenimiento de la batería .....	16
Desmontaje e instalación de la cubierta trasera .....	17
Cronograma del servicio de mantenimiento .....	18
<b>Solución de problemas</b> .....	<b>19</b>
<b>Garantía</b> .....	<b>20</b>
<b>Pautas para terrenos inclinados</b> .....	<b>21</b>



## ADVERTENCIA



Los bornes, terminales y otros accesorios relacionados con las baterías contienen plomo y compuestos de plomo, productos químicos considerados por el estado de California como la causa de cáncer y defectos de nacimiento u otros trastornos del aparato reproductor. Lávese las manos después de estar en contacto con ellos.



## ADVERTENCIA



Los gases de escape del motor, algunos de sus constituyentes y ciertos componentes del vehículo contienen o emiten productos químicos considerados por el estado de California como la causa de cáncer u otros trastornos del aparato reproductor.



## INSTRUCCIONES IMPORTANTES DE SEGURIDAD



**ADVERTENCIA:** Esta potente máquina cortacésped es capaz de amputar las manos y los pies y puede arrojar objetos causando lesiones e incluso la muerte. Si no se respetan las instrucciones de SEGURIDAD siguientes tanto el operador como otras personas corren peligro de sufrir lesiones o la muerte. El propietario de la máquina debe entender estas instrucciones y permitir que esta máquina la manejen únicamente las personas que entienden estas instrucciones. Toda persona que maneje esta máquina debe estar en buenas condiciones físicas y psíquicas y no haber bebido ni ingerido ninguna droga o fármaco que pueda perjudicar la visión, dexteridad o discernimiento. Ante cualquier duda respecto a su máquina que su concesionario no pueda solucionar para su satisfacción, llame o escriba al Customer Service Department, SNAPPER, McDonough, Georgia 30253. Phone: (1-800-317-7833).

### PROTECCIÓN PARA LOS NIÑOS

Pueden ocurrir accidentes de trágicas consecuencias si el operador no está alerta a la presencia de niños en el lugar. Los niños son frecuentemente atraídos a la máquina y a la actividad de corte de césped o hierba. Nunca de por sentado que los niños permanecerán en el mismo lugar que usted los vio la última vez.

1. MANTENGA a los niños fuera de la zona de trabajo y bajo el cuidado vigilante de un adulto responsable, que no sea el operador.
2. NO permita a los niños en el jardín mientras la máquina está funcionando y APAGUE el motor cuando alguien entra a la zona de trabajo.
3. NO permita que jóvenes menores de edad manejen la máquina.
4. PERMITA que solamente personas adultas o adolescentes responsables que demuestren buen criterio manejen esta máquina, pero bajo supervisión de un adulto.
5. NO tire de la máquina hacia atrás salvo que sea absolutamente necesario. MIRE HACIA ATRÁS y hacia abajo para asegurarse de que no hay niños pequeños, mascotas y objetos peligrosos antes y mientras retrocede con la máquina.
6. PRESTE MUCHA ATENCIÓN al acercarse a las curvas sin visibilidad, arbustos, árboles u otros objetos que puedan obstruir la visión.

### MANEJO EN PENDIENTES

1. Las pendientes son un factor importante relacionado con los accidentes por pérdida de deslizamiento y caídas, los cuales pueden ocasionar lesiones graves. Todas las pendientes requieren actuar con mucha cautela. Si se siente inseguro en una pendiente, NO corte el césped o hierba allí.
2. Corte el césped a lo ancho en las pendientes, nunca hacia arriba y hacia abajo. Preste MUCHA ATENCIÓN cuando cambie de dirección en las pendientes. NO corte el césped en pendientes empinadas u otras zonas donde la estabilidad o tracción sea dudosa. Consulte la Guía para trabajar en pendientes presentada al final de este manual.
3. Tenga sumo cuidado con los recogedores de hierba y otros accesorios; estos pueden afectar la maniobrabilidad y la estabilidad de la máquina.

### PREPARACIÓN

1. Lea, comprenda y respete todos los mensajes de advertencia y las instrucciones incluidas en la máquina, el motor y los implementos. Aprenda la ubicación de todos los mandos y practique cómo usarlos antes de poner en marcha la máquina.
2. Esta máquina debe ser manejada por personas adultas y responsables y solamente después de haber recibido las instrucciones correspondientes.
3. Datos registrados indican que los operadores mayores de 60 años sufren un gran porcentaje de accidentes relacionados con cortacéspedes. Estos operadores deben evaluar su capacidad para manejar las máquinas de cortar césped de una manera lo suficientemente segura para protegerse ellos mismos y los demás contra la posibilidad de sufrir lesiones graves.

### PREPARACIÓN

#### (viene de la columna anterior)

4. Maneje el combustible con mucho cuidado. El combustible es inflamable y los vapores son explosivos. Use un recipiente aprobado para combustible. NO quite el tapón del depósito de combustible ni reposte de combustible mientras el motor está funcionando. Llene el depósito de combustible al aire libre solamente cuando el motor está apagado y frío. Limpie los derrames de combustible de la máquina. NO fume.
5. Inspeccione el lugar de trabajo y quite todos los objetos tales como juguetes, alambres, piedras, ramas y otros objetos que pudieran causar lesiones al ser arrojados por la cuchilla o estorbar el paso de la máquina. También esté atento a la ubicación de los agujeros, tocones y otros riesgos posibles.
6. Mantenga a las personas y mascotas a una distancia segura de la máquina. Si alguien entra a la zona donde está cortando el césped, inmediatamente PARE las cuchillas, APAGUE el motor y PARE la máquina.
7. Revise frecuentemente los protectores, deflectores, conmutadores, mandos de la cuchilla y otros dispositivos de seguridad para cerciorarse de que están correctamente colocados y funcionando bien.
8. Asegúrese de que todos los rótulos de seguridad están claramente legibles. Reemplace los que están dañados.
9. Protéjase cuando corte el césped. Use gafas de seguridad, pantalones largos y calzado grueso. NO corte el césped estando descalzo o con sandalias.
10. Sepa cómo PARAR la cuchilla y el motor rápidamente en el caso de emergencias.
11. Tenga mucho cuidado cuando suba o baje la máquina a un remolque o camión.
12. Revise frecuentemente los componentes del recogedor de hierba en busca de daño o deterioro, y reemplácelos según sea necesario para impedir que ocurran lesiones a causa de objetos arrojados a través de puntos débiles o desgastados.

### MANEJO SEGURO DE LA GASOLINA

Para evitar lesiones personales o daños físicos, tenga mucho cuidado al manipular gasolina. La gasolina es extremadamente inflamable y los vapores son explosivos

1. Apague los cigarrillos, cigarros, pipas y otras fuentes de ignición.
2. Use solamente un contenedor aprobado para combustible.
3. NO quite la tapa del depósito de combustible ni cargue combustible mientras el motor está funcionando. Deje que el motor se enfríe antes de cargar combustible.
4. NO cargue combustible con la máquina puertas adentro.
5. NO guarde la máquina o el contenedor de combustible dentro de lugares donde haya llama expuesta, chispas o luz piloto, tal como en un calentador de agua u otro artefacto electrodoméstico.
6. NO llene los contenedores de combustible dentro de un vehículo o un camión o plataforma de remolque con un forro de plástico. Antes de llenarlos, coloque siempre los contenedores en el suelo lejos del vehículo.



## INSTRUCCIONES IMPORTANTES DE SEGURIDAD (Continuación)



### MANEJO SEGURO DE LA GASOLINA (viene de la columna anterior)

7. Retire el equipo con motor de gasolina del vehículo o remolque y reabastézcalo de gasolina en el suelo. En caso de no ser posible, reabastezca el equipo utilizando un contenedor portátil, en vez de una boquilla surtidora de gasolina.
8. NO arranque el equipo con motor de gasolina en vehículos o remolques cerrados.
9. Mantenga la boquilla en contacto con el reborde del depósito o boca del contenedor de combustible todo el tiempo hasta completar el repostaje. NO use un dispositivo para bloquear abierta la boquilla.
10. En caso de derramar combustible en la ropa, cámbiesela inmediatamente.
11. NUNCA llene en exceso el depósito de combustible. Coloque la tapa de combustible y apríetela firmemente.

### MANEJO

1. NO ponga las manos o los pies cerca o debajo de las piezas giratorias. Sitúese lejos del punto de descarga mientras el motor está funcionando.
2. APAGUE el motor cuando cruce calzadas de gravilla, aceras o caminos, y en cualquier situación donde exista el riesgo de que objetos sean arrojados por las cuchillas.
3. Corte el césped durante el día o con buena luz artificial.
4. NO maneje el cortacésped si está en estado de ebriedad o bajo los efectos de drogas.
5. Después de golpear algún objeto extraño, o si la cortadora vibra en forma anormal, DETENGA el motor, desconecte el cable de la bujía y sujételo. Inspeccione la cortadora para verificar si hay algún daño, y en caso afirmativo repárelo antes de arrancar nuevamente.
6. NO corte el césped cerca de barrancos, zanjas o terraplenes. El operador podría perder el equilibrio o apoyo.
7. ESTE ALERTA a los hoyos y otros peligros ocultos. La hierba alta puede ocultar los obstáculos. Manténgase alejado de las zanjas, socavones, alcantarillas, vallados y objetos salientes.
8. NO corte el césped mojado. Asegúrese de tener una buena base de apoyo. Sujétese firmemente del manillar y camine, no corra. Un resbalón puede causarle lesiones.
9. Permanezca SIEMPRE detrás de la manija cuando el motor esté en marcha.
10. NO deje la máquina sin vigilancia mientras el motor está funcionando. PARE LA CUCHILLA y APAGUE EL MOTOR antes de alejarse de la máquina por cualquier motivo.
11. Antes de limpiar, reparar o inspeccionar la máquina, asegúrese de que el motor, la cuchilla y todas las piezas móviles están DETENIDAS. Desconecte el cable de la bujía y átelo lejos de la bujía para evitar el arranque accidental.
12. APAGUE el motor y espere hasta que la cuchilla esté PARADA por completo antes de quitar el recogedor y/o desatascar césped.
13. NO maneje la cortadora sin que el recogedor de hierba completo, la protección de descarga, la protección posterior u otros dispositivos de seguridad, estén colocados y funcionando correctamente. NO apunte la descarga hacia la gente, automóviles, ventanas o puertas.

### MANEJO

#### (viene de la columna anterior)

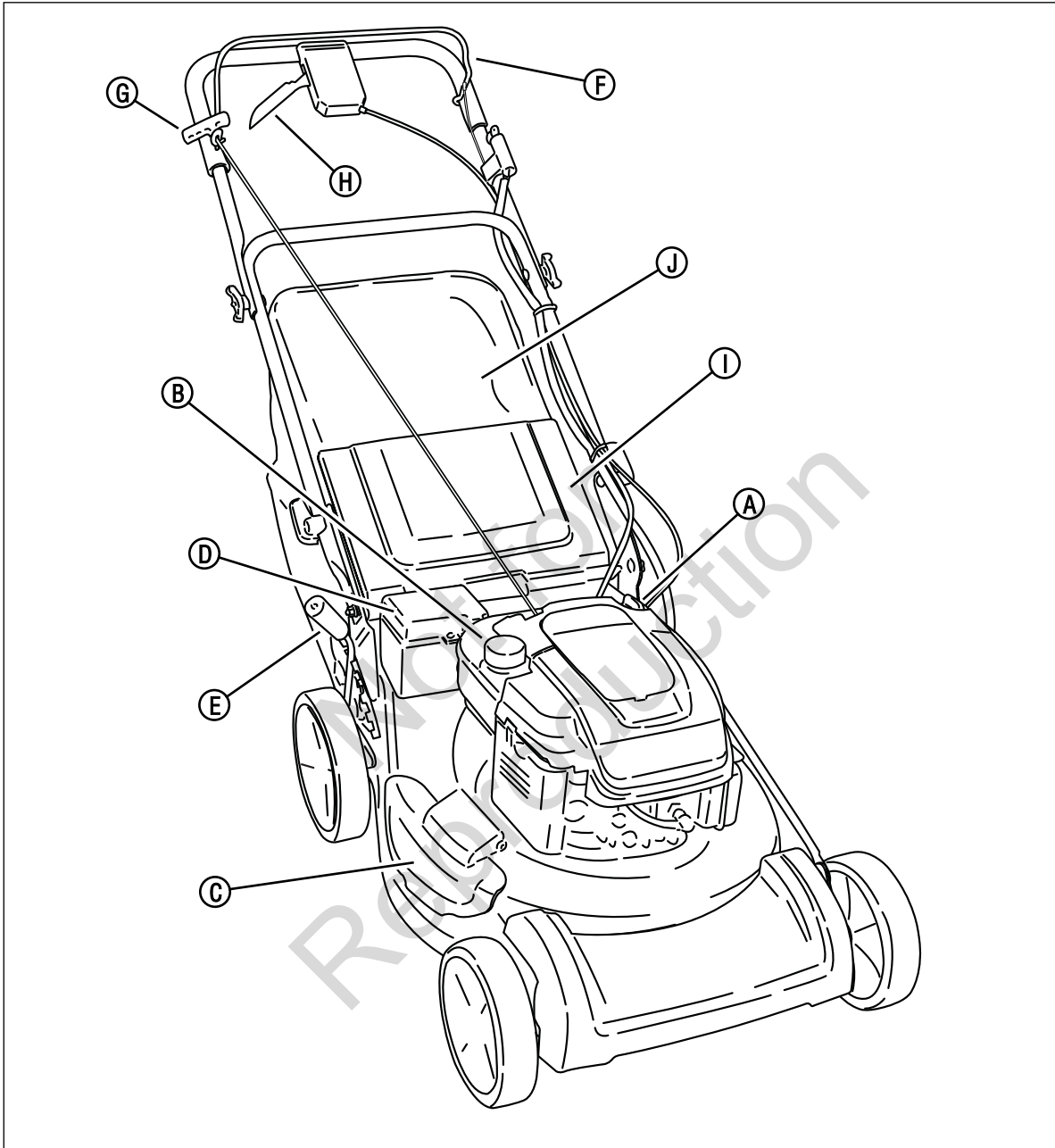
14. NO descargue material contra una pared u obstrucción. El material puede rebotar hacia atrás, dirigiéndose hacia el operador.
15. Aminore la marcha antes de dar la vuelta.
16. Preste atención al tráfico cuando esté cerca de calzadas o vaya a cruzarlas.
17. NO haga funcionar el motor en recintos cerrados. Los gases de escape del motor contienen monóxido de carbono, un veneno mortal.
18. Utilice únicamente accesorios aprobados por el fabricante. Lea las instrucciones del fabricante para una correcta operación e instalación de accesorios.

### MANTENIMIENTO Y ALMACENAMIENTO

1. NO guarde la máquina ni el bidón de combustible dentro de un local donde los vapores pueden quedar en contacto con llama expuesta, chispas o llama piloto de un calentador de agua, horno, secadora de ropa u otros artefactos de gas. Espere que el motor se enfríe antes de guardar la máquina en un local cerrado. Guarde el bidón de combustible lejos del alcance de los niños en un recinto desocupado y bien ventilado.
2. Para reducir el riesgo de provocar un incendio y de calentar en exceso el motor, mantenga el motor libre de hierba, hojas o grasa sobrante.
3. Cuando vacíe el depósito de combustible, hágalo a un bidón aprobado en un lugar al aire libre y lejos de llama expuesta.
4. Mantenga todos los pernos, tuercas y tornillos bien apretados. Compruebe que todas las chavetas o pasadores hendidos estén en el lugar debido.
5. Suministre siempre una ventilación adecuada cuando haga funcionar el motor en el interior de un recinto. Los gases de escape contienen monóxido de carbono, un veneno inodoro y letal.
6. Repare el motor y haga ajustes solamente con el motor parado. Desconecte el cable de la bujía y átelos lejos de la bujía para evitar el arranque accidental.
7. NO cambie los reglajes de velocidad del regulador ni sobrepase la velocidad del motor.
8. Para evitar que objetos sean arrojados y que las piezas móviles queden al descubierto, revise frecuentemente la bolsa del recogedor en busca de deterioro o desgaste. Coloque una bolsa nueva si las costuras están descosidas o hay evidencia de rasgaduras. Reemplace el deslizador o adaptador del recogedor si está roto o agrietado.
9. La cuchilla del cortacésped es filosa y puede cortar. Envuelva la cuchilla o use guantes de cuero grueso, y tenga PRECAUCIÓN al manipularla.
10. NO pruebe en cuanto a chispa conectando a tierra la bujía al lado del orificio de inserción de la bujía, la bujía podría encender el gas que sale del motor.
11. Solicite un servicio de mantenimiento para la máquina por parte de un distribuidor BRUTE autorizado al menos una vez al año, y solicite al distribuidor que instale cualquier nuevo dispositivo de seguridad.
12. Sólo utilice piezas de repuesto BRUTE genuinas para garantizar que se mantienen los estándares originales.

**IMPORTANTE**

Las figuras e ilustraciones en este manual se suministran únicamente para referencia y podrían ser diferentes de su modelo específico. En caso de tener preguntas, comuníquese con su distribuidor Snapper.



**Características y controles**

- |    |  |    |   |
|----|--|----|---|
| A. | Tapa de llenado de aceite y varilla medidora del nivel de aceite | F. | Control de la cuchilla                        |
| B. | Tapa de llenado de combustible                                   | G. | Mango del cable (mecánico) de arranque        |
| C. | Cubierta de reciclaje  | H. | Control del sistema de tracción de las ruedas |
| D. | Batería  | I. | Puerta de descarga trasera                    |
| E. | Palanca de ajuste de la altura                                   | J. | Bolsa de césped                               |

## Lista de comprobación antes del arranque

Realice las siguientes revisiones y realice el servicio de mantenimiento requerido antes de cada arranque.

1. Revise los protectores, los deflectores, la bolsa de césped, y las cubiertas para garantizar que todo está en su sitio y apretado firmemente.
2. Revise el control de la cuchilla (A, **Figure 1**) y el control del sistema de tracción de las ruedas (B) para garantizar que funcionan libremente.

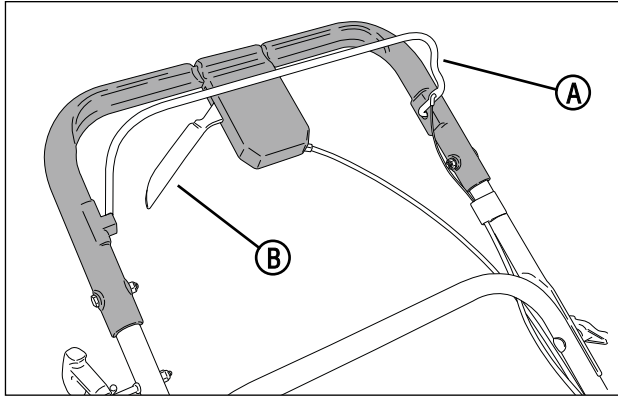


Figura 1: Controles del cortacésped

3. Revise la altura de corte. Ajuste hasta la altura deseada. Consulte la Sección 'Ajuste de la Altura de Corte'.
4. Revise el aceite de motor y agregue según sea necesario para llevar el nivel hasta la marca de lleno (A, **Figure 2**). Consulte el Manual del Propietario del Motor para averiguar las especificaciones del aceite.

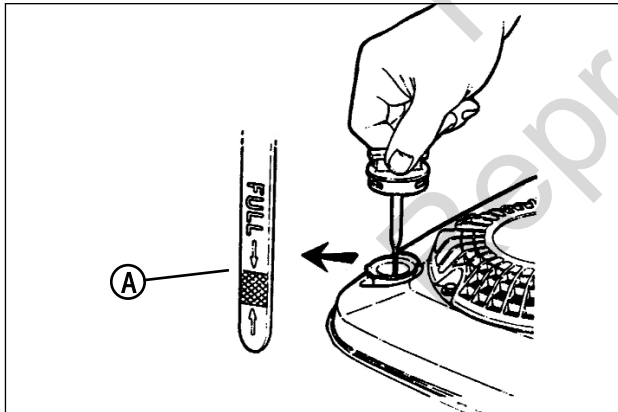


Figura 2: Revisión del aceite del motor

5. Agregue combustible al tanque después de llevar el cortacésped al aire libre donde los vapores pueden disiparse de manera segura. Llene el tanque hasta 1-1/2 pulgadas por debajo de la parte superior del cuello de llenado (para permitir la expansión del combustible). Verifique que la tapa está apretada después del abastecimiento de combustible. Consulte el Manual del Propietario del Motor para averiguar las especificaciones del combustible.
6. Limpie las superficies exteriores de la plataforma de corte y del motor para remover cualquier acumulación de combustible derramado, suciedad, césped, aceite, etc. Mantenga despejada a todo momento la rejilla del orificio de entrada de aire del motor y las aletas de enfriamiento.

## Arranque y manejo

### Motor y cuchilla

1. Oprima el control de la cuchilla (A, **Figure 3**) contra el asidero.
2. Arranque el cortacésped:

**Arranque manual:** Hale el mango (B) del cable de arranque para encender el motor.

**Arranque eléctrico:** Inserte la llave (C) en el interruptor de encendido (D), ubicado en el lado izquierdo del asidero. Gire la llave para encender el motor.

3. Después que el motor arranque, permita un breve periodo de calentamiento hasta que el motor funcione suavemente antes de iniciar la operación del cortacésped.

**NOTA:** Para detener el motor (y la cuchilla), libere el control de la cuchilla.

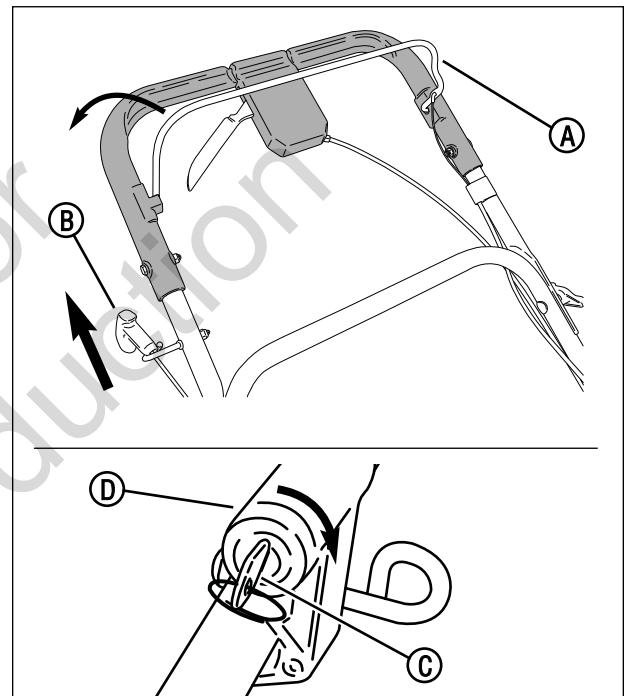


Figura 3: Arranque del cortacésped

## Arranque y manejo (Continuación)

### Propulsión del cortacésped

1. Arranque el motor. Consulte la Sección titulada "Arranque y Manejo - Motor y Cuchilla".
2. Comience oprimiendo el control del sistema de tracción de las ruedas **(A, Figura 4)** hacia atrás hacia el asidero para activar el sistema de tracción de las ruedas e impulsar hacia adelante el cortacésped. La velocidad hacia adelante puede aumentarse oprimiendo adicionalmente el control del sistema de tracción de las ruedas hacia atrás hacia el asidero.

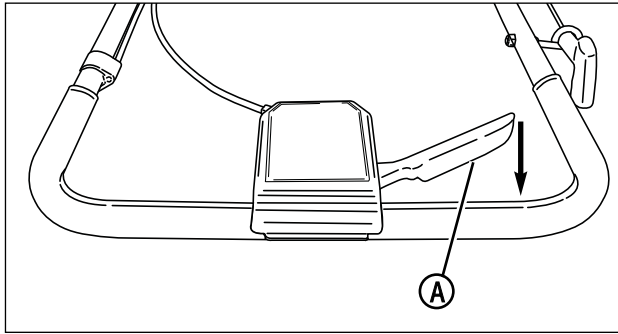


Figura 4: Control del sistema de tracción de las ruedas  
(Componentes removidos para mayor claridad)

## Ajuste de la altura del asidero

La altura de la manija de la cortadora puede ajustarse como sigue:

1. Gire las dos levas de sujeción **(A, Figura 5)** un cuarto de vuelta, para desbloquear el conjunto de la manija **(B)**.
2. Alinee el conjunto de la manija con uno de los tres agujeros de ajuste de la altura de la manija **(C)** ubicados en los soportes de montaje.
3. Haga volver las levas de sujeción a su posición original, para bloquear la manija.

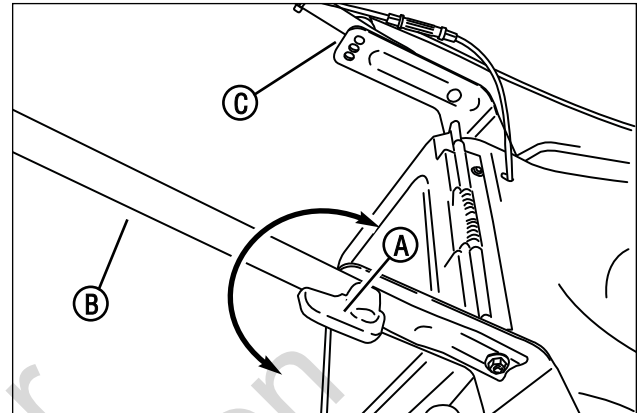


Figura 5: ajuste de la altura de la manija

## Parada

1. Detenga el movimiento hacia adelante del cortacésped liberando el control del sistema de tracción de las ruedas.
2. Detenga el motor y la cuchilla liberando el control de la cuchilla.



### ADVERTENCIA



NO intente realizar ningún mantenimiento, ajuste o servicio con el motor y la cuchilla en funcionamiento. **DETENGA** el motor y la cuchilla. Desconecte el cable de la bujía y asegure el extremo del cable lejos de la bujía. El motor y los componentes están **CALIENTES**. Evite quemaduras graves, permita suficiente tiempo para que todos los componentes se enfríen.





## ADVERTENCIA



NO intente realizar ningún mantenimiento, ajuste o servicio con el motor y la cuchilla en funcionamiento. DETENGA el motor y la cuchilla. Desconecte el cable de la bujía y asegure el extremo del cable lejos de la bujía. El motor y los componentes están CALIENTES. Evite quemaduras graves, permita suficiente tiempo para que todos los componentes se enfríen.

## Ajuste de la altura de corte

1. Hale hacia afuera la palanca de ajuste de altura (**A, Figura 6**), y mueva hasta la altura de corte deseada. La posición de corte más alta es la ranura 9 (**B; además vea la Figura 7**). La posición de corte más baja es la ranura 1 (**C**).

*Nota: La palanca colocará todas las ruedas en la misma altura de corte.*



## ADVERTENCIA



Antes de ajustar la altura de corte, detenga el motor y la cuchilla del cortacésped liberando el control de la cuchilla.

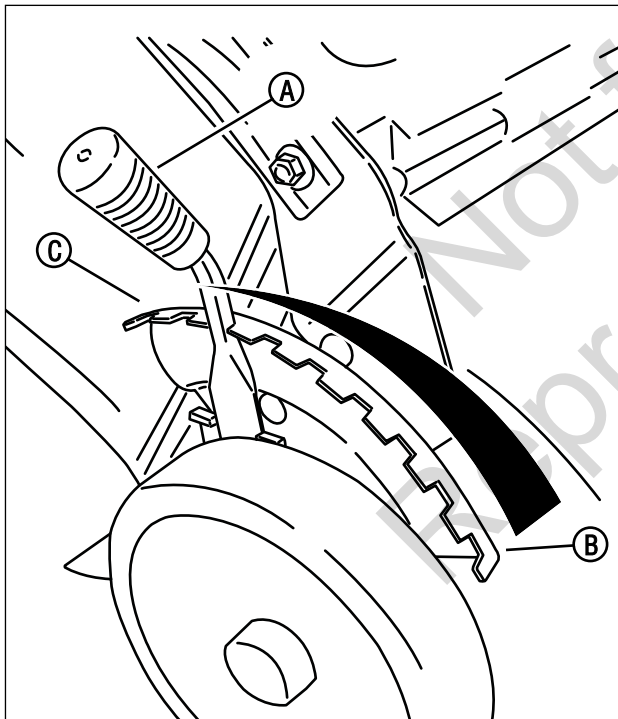


Figura 6: Ajuste de la altura de corte

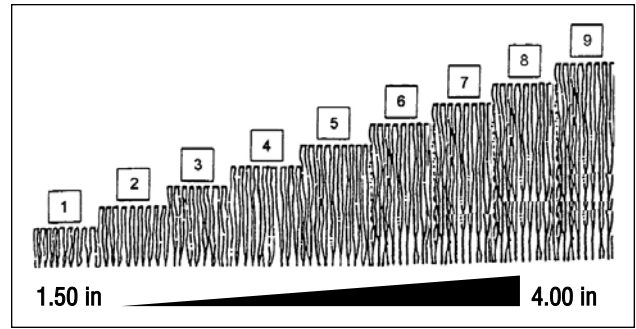


Figura 7: Valores de ajuste de la altura de corte (aproximados)

## Operación de reciclaje (recirculación)

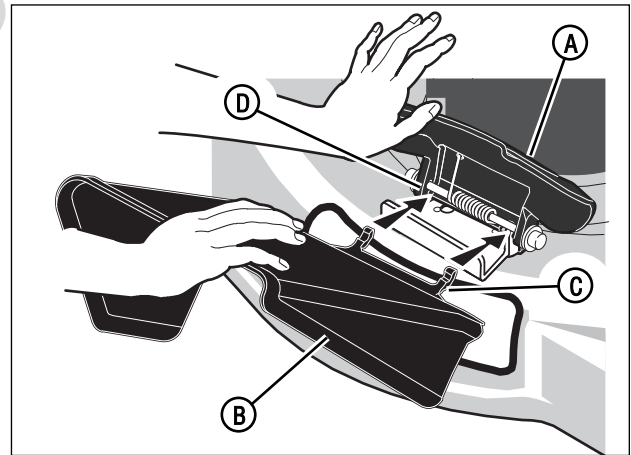
*Nota:* Para lograr los mejores resultados de reciclaje, corte hasta un máximo de 1/3 de la longitud de la hoja de césped y recicle ÚNICAMENTE cuando el césped esté seco.

1. Coloque la palanca de ajuste de altura en la posición de corte más alta (Ranura 9). Consulte la Sección titulada "Ajuste de la Altura de Corte".
2. Proceda cortando lentamente el césped. Si el césped es muy tupido, baje la palanca de ajuste de altura una (1) ranura más abajo para mejorar el desempeño del reciclaje.

## Instalación del deflector de descarga

1. Levante la cubierta de reciclaje (**A, Figura 8**).

*Importante:* La cubierta de reciclaje debe permanecer a todo momento en la máquina. No la desmonte.



2. Instale el deflector (**B**) a la plataforma debajo de la cubierta de reciclaje, verificando que:
  - Las lengüetas (**C**) enganchan debajo de la barra-pivote (**D**).
  - La lengüeta de sujeción (**A, Figura 9**) en la plataforma atraviesa la ranura (**B**) en el deflector.
3. Baje la cubierta de reciclaje.

**⚠ ADVERTENCIA ⚠**

NO intente realizar ningún mantenimiento, ajuste o servicio con el motor y la cuchilla en funcionamiento. **DETENGA** el motor y la cuchilla. Desconecte el cable de la bujía y asegure el extremo del cable lejos de la bujía. El motor y los componentes están **CALIENTES**. Evite quemaduras graves, permita suficiente tiempo para que todos los componentes se enfríen.

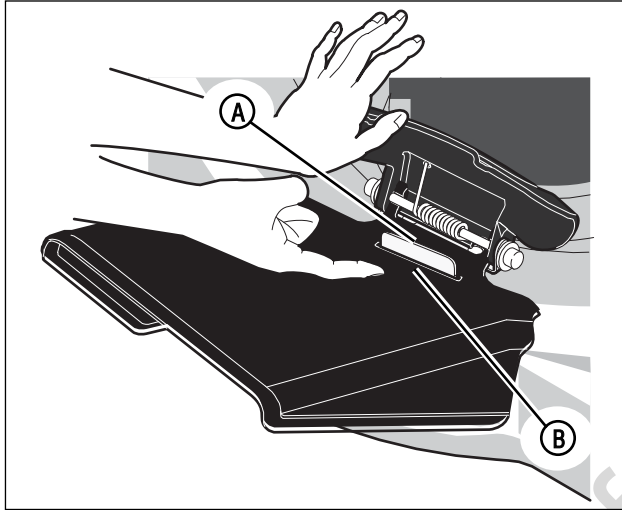


Figura 9: Lengüeta de sujeción del deflector

**Desmontaje del elemento de reciclaje**

1. Levante la puerta de descarga trasera (A, Figura 10).
2. Desmonte el elemento de reciclaje (B) fuera del canal de descarga trasero.

*Nota:* El elemento de reciclaje sólo debe desmontarse cuando se desea el empacado en bolsa, y debe colocarse nuevamente tan pronto como se terminen las operaciones de empacado en bolsa.

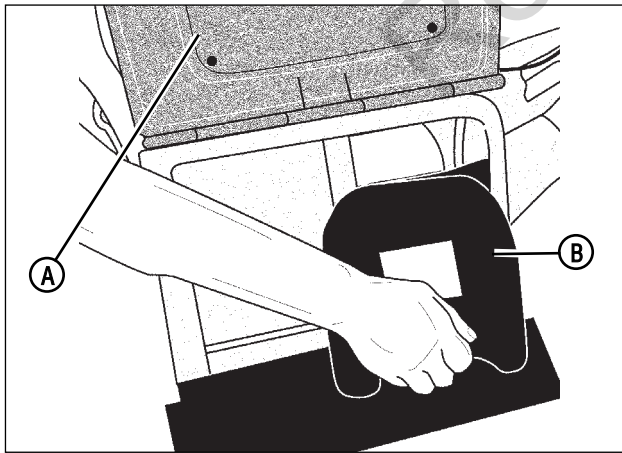


Figura 10: Desmontaje del elemento de reciclaje

**Instalación de la bolsa de césped**

1. Levante la puerta de descarga trasera (A, Figura 11).
2. Desmonte el elemento de reciclaje. Consulte la sección titulada "Desmontaje del elemento de reciclaje".
3. Agarrando la manija (B) de la bolsa de césped, instale la bolsa de césped en la parte trasera del cortacésped, verificando que los ganchos (A, Figura 12) de la bolsa de césped sean enganchados en la barra-pivote (B) de la puerta trasera.

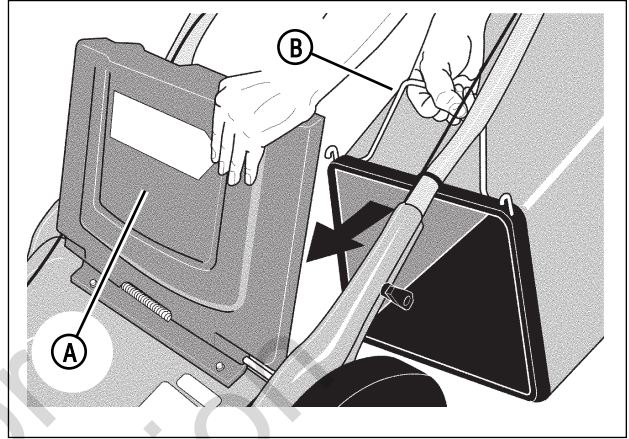


Figura 11: Instalación de la bolsa de césped

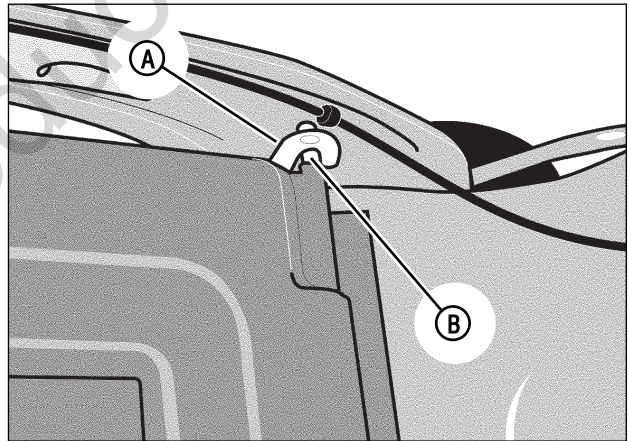


Figura 12: Ganchos de la bolsa de césped

**⚠ ADVERTENCIA ⚠**

Las bolsas Receptoras de Césped en los productos SNAPPER están hechas de tela tejida, y son susceptibles a deterioro y desgaste durante el uso normal. Revise la condición de la bolsa antes de cada uso. Reemplace inmediatamente las bolsas receptoras desgastadas o dañadas sólo con bolsas recomendadas por SNAPPER. La bolsa receptora de césped es una pieza opcional en algunos modelos.

## Mantenimiento - Introducción

Para conservar la calidad del cortacésped, sólo utilice piezas de repuesto genuinas de SNAPPER. Comuníquese con un distribuidor local de SNAPPER para obtener piezas y ayuda de servicio. Para obtener la pieza correcta o información para un cortacésped específico, siempre mencione el modelo y número de serie.

**⚠ ADVERTENCIA ⚠**

NO intente realizar ningún mantenimiento, ajuste o servicio con el motor y la cuchilla en funcionamiento. DETENGA el motor y la cuchilla. Desconecte el cable de la bujía y asegure el extremo del cable lejos de la bujía. El motor y los componentes están CALIENTES. Evite quemaduras graves, permita suficiente tiempo para que todos los componentes se enfríen. Utilice guantes de cuero grueso al manipular o trabajar alrededor de cuchillas de corte. Las cuchillas son extremadamente filosas y puede causar lesiones graves.

## Servicio de mantenimiento - Después de las primeras 5 horas

### Cambio del aceite de motor

1. Consulte el Manual del Motor para averiguar las especificaciones apropiadas del aceite, los procedimientos e intervalos de mantenimiento apropiados.
2. Para realizar el cambio de aceite más sencillo y limpio, simplemente coloque (incline) el cortacésped sobre su costado para drenar el aceite, según se muestra. Drene el aceite a través del tubo de la varilla medidora del nivel de aceite (A, **Figure 13**) en un recipiente. Permita suficiente tiempo para que se drene todo el aceite.

**Importante:** Drene el tanque de combustible antes de inclinar la máquina. NO INCLINE la máquina con el carburador o la bujía en la posición abajo. El aceite del cárter empapará el filtro de aire y provocará que el motor sea difícil de arrancar o de no arrancar en absoluto. Si ocurre contaminación, el filtro de aire deberá reemplazarse.

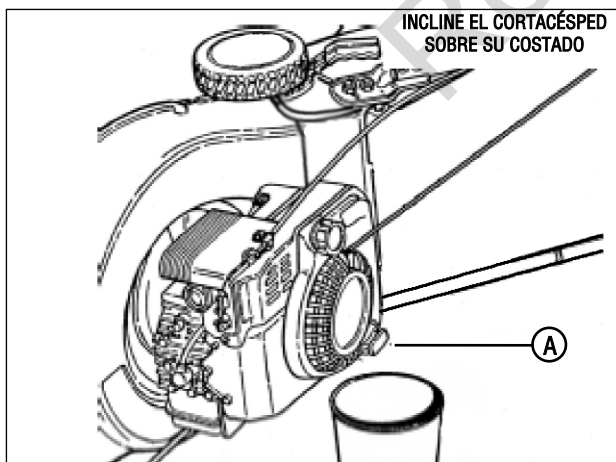


Figura 13: Drenaje del aceite del motor

3. Deseche apropiadamente el aceite drenado.
4. Llène el motor con aceite según se especifica en el Manual del Motor. No llene en exceso.

## Revisión de la cuchilla del cortacésped

1. Desconecte el cable de la bujía y asegure el extremo del cable lejos de la bujía.
2. Incline el cortacésped sobre sus ruedas traseras para lograr acceso al tornillo (A, **Figure 14**) de la cuchilla. No incline el cortacésped con la bujía o el carburador abajo.

**Importante:** Drene el tanque de combustible antes de inclinar el cortacésped. NO INCLINE la máquina con el carburador o la bujía abajo. El aceite del cárter empapará el filtro de aire y provocará que el motor sea difícil de arrancar o de no arrancar en absoluto. Si ocurre contaminación, el filtro de aire deberá reemplazarse.

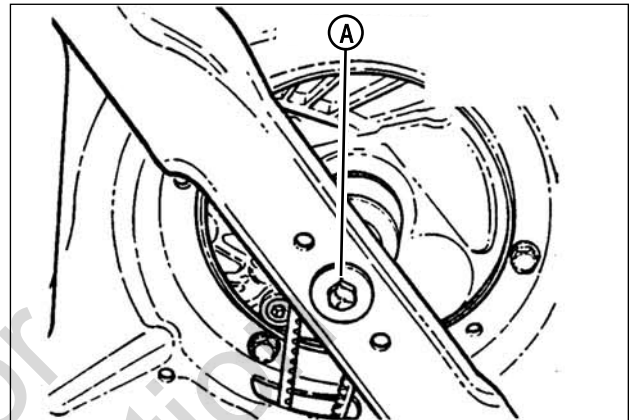


Figura 14: Apriete del tornillo de la cuchilla

3. Revise el apriete del tornillo de la cuchilla. El apriete recomendado debe ser de 40 pies-lbs.
4. Revise la cuchilla en cuanto a filo, desgaste y daño. Consulte la Sección titulada "Límites de desgaste de la cuchilla".

## Revisión de la correa de transmisión del motor

1. Revise visualmente la correa de transmisión del motor en busca de grietas, deshilachamiento, fibras de correa expuestas o separadas. Si está desgastada o dañada, reemplace la correa antes de operar el cortacésped.

## Servicio de mantenimiento - Periódico

Realice todo el mantenimiento según se describe en la sección "Cronograma de Mantenimiento" de este manual.

### Motor

Realice el servicio de mantenimiento al motor de acuerdo con el manual del propietario del motor.

### Filtro de Aire

Consulte el manual del propietario del motor para obtener las instrucciones del servicio de mantenimiento.

### Aceite de motor

Consulte el manual del propietario del motor para obtener las instrucciones del servicio de mantenimiento.



## ADVERTENCIA



NO intente realizar ningún mantenimiento, ajuste o servicio con el motor y la cuchilla en funcionamiento. DETENGA el motor y la cuchilla. Desconecte el cable de la bujía y asegure el extremo del cable lejos de la bujía. El motor y los componentes están CALIENTES. Evite quemaduras graves, permita suficiente tiempo para que todos los componentes se enfríen. Utilice guantes de cuero grueso al manipular o trabajar alrededor de cuchillas de corte. Las cuchillas son extremadamente filosas y puede causar lesiones graves.

### Componentes del sistema de tracción de las ruedas

1. Desmonte la cubierta trasera. Consulte la sección titulada "Desmontaje e Instalación de la Cubierta Trasera".
2. Limpie cualquier acumulación de residuos en o alrededor de la transmisión, ejes, rodillo, poleas, correa, etc., y también, en el interior de la cubierta. Revise los componentes en cuanto a desgaste o daño. Reemplace inmediatamente los componentes desgastados o defectuosos.
3. Coloque nuevamente la cubierta trasera.

**Importante:** NO opere el cortacésped sin la cubierta trasera sujeta firmemente en su sitio.

### Procedimiento de almacenamiento

Consulte el Manual del Propietario del Motor para obtener instrucciones relacionadas con las preparaciones para el almacenamiento del motor. Prepare el cortacésped para el almacenamiento por "fin de temporada", de la siguiente manera:

1. Drene el combustible del tanque de combustible y permita que el motor funcione hasta que todo el combustible esté fuera del carburador.
2. Antes de realizar cualquier otra preparación, desconecte y remueva el cable de la bujía colocándolo lejos de la bujía.
3. Cierre con cinta todas las aberturas para evitar que el agua de rociado ingrese al tubo de escape o los orificios de entrada de aire durante el lavado.
4. Incline el cortacésped sobre sus ruedas traseras y limpie minuciosamente el lado de abajo de la plataforma. No incline el cortacésped con la bujía o el carburador abajo. Raspe cualquier acumulación de césped mediante una espátula de enmasillar y/o cepillo de cerdas de alambre.
5. Lubrique todo el metal expuesto con una capa delgada de aceite para evitar la corrosión.
6. Pliegue cuidadosamente el asidero, "flexionando" los cables (mecánicos) de control para evitar dañar el cable.
7. Guarde el cortacésped en un cobertizo u otra área seca, protegida contra el clima.

**⚠️ ADVERTENCIA ⚠️**

NO intente realizar ningún mantenimiento, ajuste o servicio con el motor y la cuchilla en funcionamiento. DETENGA el motor y la cuchilla. Desconecte el cable de la bujía y asegure el extremo del cable lejos de la bujía. El motor y los componentes están CALIENTES. Evite quemaduras graves, permita suficiente tiempo para que todos los componentes se enfríen. Utilice guantes de cuero grueso al manipular o trabajar alrededor de cuchillas de corte. Las cuchillas son extremadamente filosas y puede causar lesiones graves.

## Reemplazo de la cuchilla del cortacésped

### Límite de desgaste estándar de la cuchilla

1. Inspeccione frecuentemente la cuchilla (Figura 15) en busca de signos de desgaste excesivo o daño:
  - (A) Cuchilla nueva
  - (B) Límite de desgaste (muesca que inicia)
  - (C) Condición peligrosa! ¡No utilice en el cortacésped! Reemplace con una cuchilla nueva.

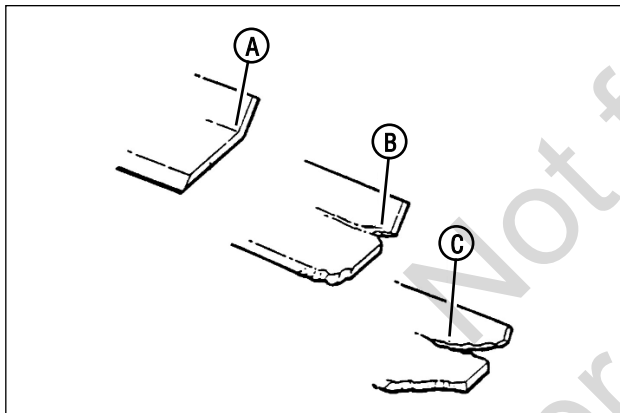


Figura 15: Límites de desgaste de la cuchilla del cortacésped

**⚠️ ADVERTENCIA ⚠️**

NO utilice una cuchilla de corte que muestre signos de desgaste excesivo o daño. Consulte la sección titulada "REEMPLAZO DE LA CUCHILLA DEL CORTACÉSPED" para averiguar los procedimientos apropiados de inspección y mantenimiento de la cuchilla.

### Afilado de la cuchilla

1. Desconecte el cable de la bujía y asegure el extremo del cable lejos de la bujía.
2. Inclíne el cortacésped sobre sus ruedas traseras. No incline el cortacésped con la bujía o el carburador abajo.

**Importante:** Drene el tanque de combustible antes de inclinar el cortacésped. NO INCLINE la máquina con el carburador o la bujía abajo. El aceite del cárter empapará el filtro de aire y provocará que el motor sea difícil de arrancar o de no arrancar en absoluto. Si ocurre contaminación, el filtro de aire deberá reemplazarse.

3. Desmonte la cuchilla (B, Figura 17).

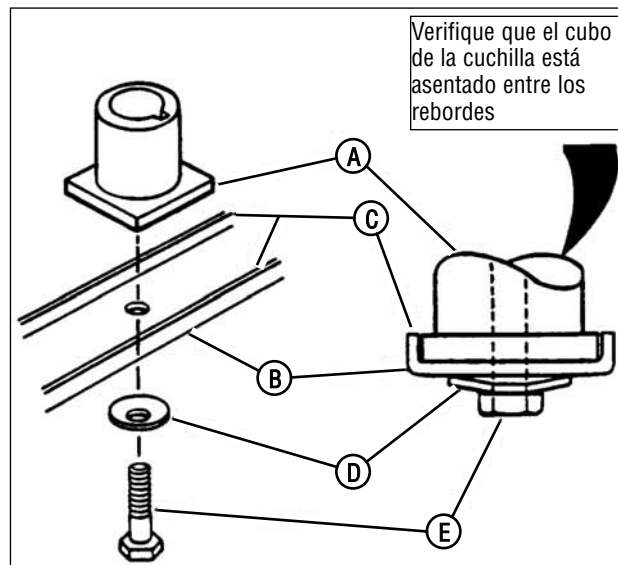


Figura 16: Desmontaje de la cuchilla del cortacésped

4. Afile la cuchilla mediante una rueda de esmerilar en un ángulo de 22 a 28 grados (B, Figura 17). NO afile la cuchilla más allá del borde de corte original (A).
5. Revise la cuchilla en cuanto a balance. Si es necesario, corrija el balance esmerilando el extremo pesado de la cuchilla.
6. Reinstale la cuchilla (B, Figura 16). Observe el orden correcto de ensamblaje:
  - (A) Cubo de la cuchilla
  - (B) Cuchilla
  - (C) Reborde de la cuchilla (dirigida hacia arriba)
  - (D) Arandela cónica (el lado cóncavo hacia arriba)
  - (E) Tornillo de cabeza hexagonal
7. Revise el apriete del tornillo de retención de la cuchilla. El apriete recomendado debe ser de 40 pies-lbs.

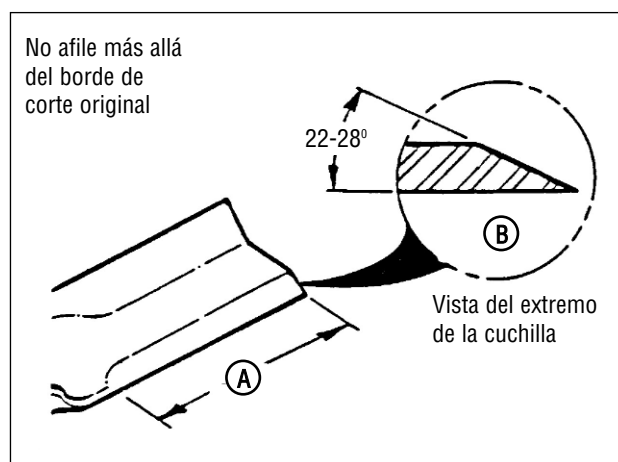


Figura 17: Afilado de la cuchilla del cortacésped



## ADVERTENCIA



NO intente realizar ningún mantenimiento, ajuste o servicio con el motor y la cuchilla en funcionamiento. DETENGA el motor y la cuchilla. Desconecte el cable de la bujía y asegure el extremo del cable lejos de la bujía. El motor y los componentes están CALIENTES. Evite quemaduras graves, permita suficiente tiempo para que todos los componentes se enfríen.

## Ajuste del control del sistema de tracción de las ruedas

La palanca de control (A, **Figure 18**) del sistema de tracción de las ruedas debe activar la transmisión cuando la palanca es presionada hacia atrás hacia el asidero, y debe desactivar la transmisión cuando se libera la palanca.

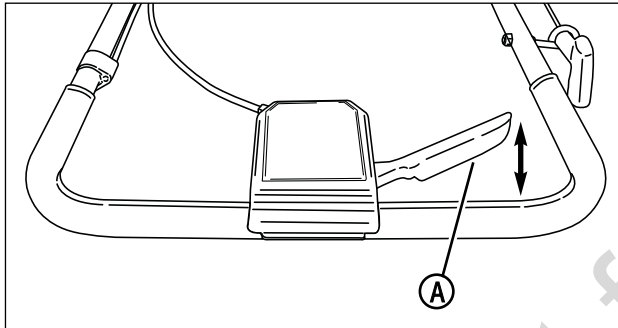


Figura 18: Control del sistema de tracción de las ruedas (Componentes removidos para mayor claridad)

Si la transmisión no se activa o desactiva, el ajuste puede realizarse de la siguiente manera:

1. Desmonte la cubierta trasera del cortacésped. Consulte la Sección titulada "Desmontaje e Instalación de la Cubierta Trasera".
2. Con la palanca de control del sistema de tracción de las ruedas en la posición 'DESACTIVADA' (DISENGAGE), el resorte (A, **Figure 19**) en el extremo del cable (mecánico) de control del sistema de tracción de las ruedas no debe estar tensionado. Mida la longitud total del resorte no-extendido (B).

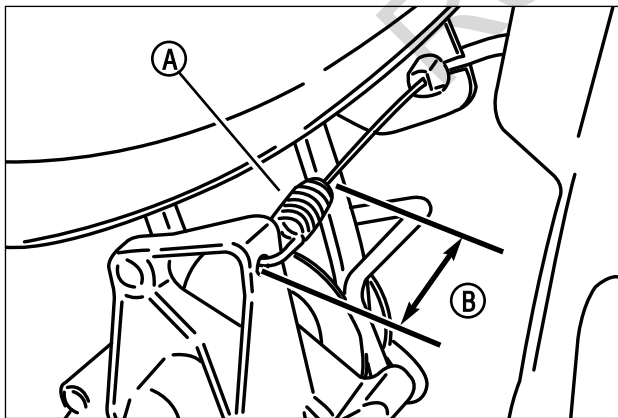


Figura 19: Medición de la longitud del resorte con la transmisión desactivada

3. Oprima totalmente la palanca, y mida la longitud del resorte extendido. La longitud total del resorte debe aumentar 0.020 - 0.025" aprox.
4. Para ajustar la extensión del resorte:
  - a. Libere la palanca.
  - b. Para aumentar (+) la longitud del resorte extendido, afloje la contratuerca (B, **Figure 20**) y gire el casquillo (C) abajo del tensor de ajuste (A), ubicado en el extremo inferior del cable de control del sistema de tracción de las ruedas, media vuelta hacia afuera desde el tensor. Apriete la contratuerca.
  - c. Para disminuir (-) la longitud del resorte extendido, afloje la contratuerca, y gire el casquillo media vuelta hacia adentro hacia el tensor. Apriete la contratuerca.
5. Oprima la palanca y revise nuevamente la longitud del resorte extendido. Repita el Paso 4 según se requiera.

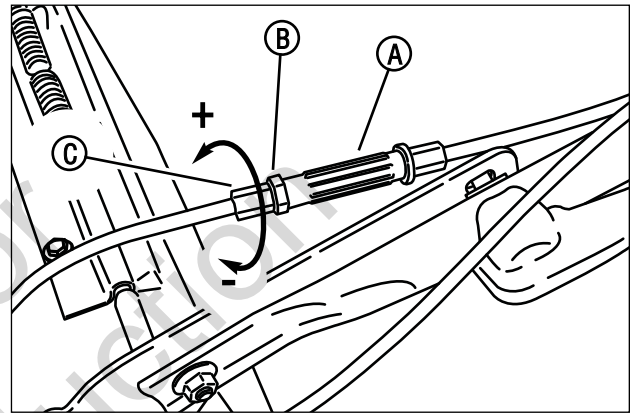


Figura 20: Ajuste de la tensión del resorte de la transmisión

**IMPORTANTE: UN AJUSTE INCORRECTO PUEDE CAUSAR DESGASTE PREMATURO Y/O DAÑO A LOS COMPONENTES DEL SISTEMA DE TRACCIÓN DE LAS RUEDAS.**



## ADVERTENCIA



NO intente realizar ningún mantenimiento, ajuste o servicio con el motor y la cuchilla en funcionamiento. DETENGA el motor y la cuchilla. Desconecte el cable de la bujía y asegure el extremo del cable lejos de la bujía. El motor y los componentes están CALIENTES. Evite quemaduras graves, permita suficiente tiempo para que todos los componentes se enfríen.

## Servicio de mantenimiento de la correa

En los cortacésped autopropulsados, la correa del motor transmite la potencia desde el motor hasta la transmisión que impulsa las ruedas traseras. Si la correa se desgasta, esto podría causar deslizamiento, lo cual perjudicaría el funcionamiento del cortacésped. La condición de la correa del motor debe revisarse después de cada 25 horas de operación del cortacésped.

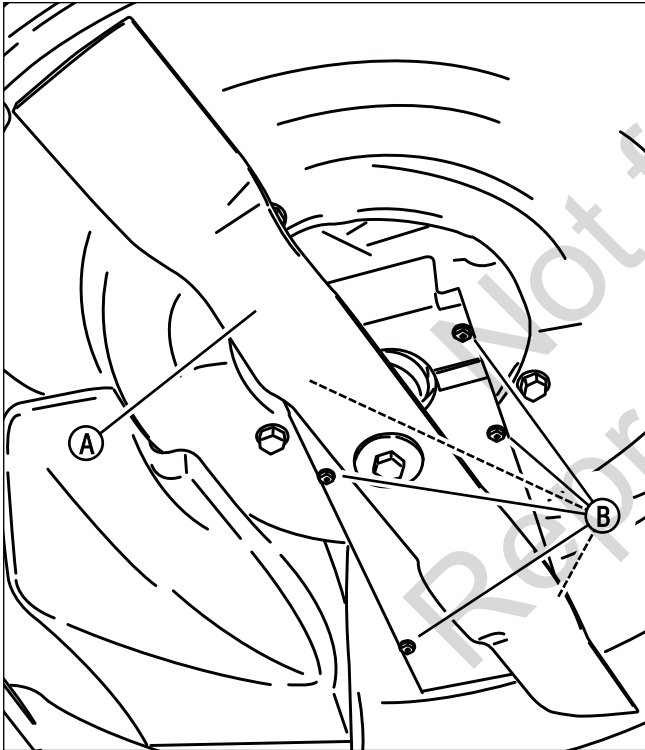


Figura 21: Desmontaje de la cuchilla y la cubierta de la correa

## Reemplazo de la correa de transmisión del motor

1. Vacíe el tanque de combustible.
2. Desmonte la cuchilla (A, Figura 21). Consulte la Sección titulada "Afilado de la cuchilla".
3. Remueva los herrajes (B) que aseguran la cubierta (de dos piezas) de la correa debajo de la plataforma. Desmonte la cubierta.
4. Desmonte la cubierta trasera del cortacésped. Consulte la sección titulada "Desmontaje e Instalación de la Cubierta Trasera".
5. Para reemplazar la correa:
  - a. Remueva los herrajes (B, Figura 22) que aseguran la guía de correa (A) al conjunto de la transmisión. Remueva la guía de la correa.
  - b. Desmonte la correa fuera de la transmisión y de las poleas del motor, observando el enrutamiento de la correa.
  - c. Reemplace la correa.
  - d. Coloque nuevamente la guía de correa en la transmisión.
6. Coloque nuevamente las cubiertas y la cuchilla.

*Nota: El torque de apriete recomendado para la cuchilla es: 40 pies-lbs.*

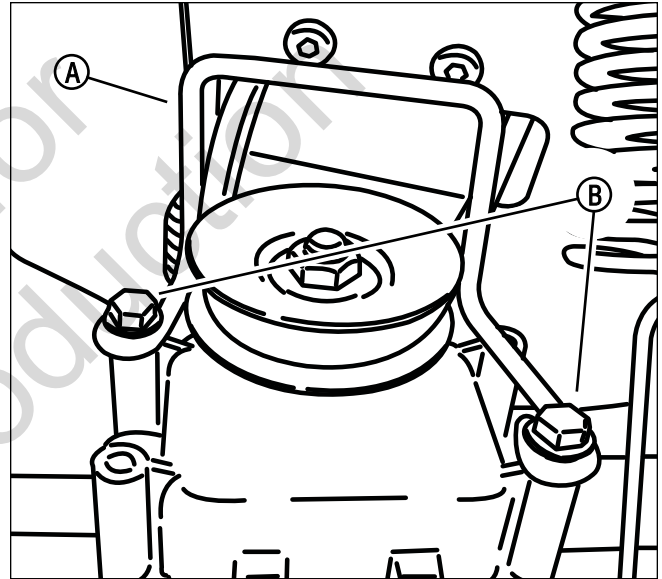


Figura 22: Desmontaje de la cubierta trasera.

**⚠️ ADVERTENCIA ⚠️**

NO intente realizar ningún mantenimiento, ajuste o servicio con el motor y la cuchilla en funcionamiento. DETENGA el motor y la cuchilla. Desconecte el cable de la bujía y asegure el extremo del cable lejos de la bujía. El motor y los componentes están CALIENTES. Evite quemaduras graves, permita suficiente tiempo para que todos los componentes se enfríen.

## Servicio de mantenimiento de la batería

### Preparación de la batería nueva

1. Saque la batería de la caja de cartón.
2. Coloque la batería en una área bien ventilada sobre una superficie plana que no sea de concreto.
3. Pruebe la batería. Consulte la Sección titulada "Prueba de la batería". Si la batería necesita cargarse, cargue la batería. Consulte la Sección titulada "Cargado de la batería".
4. Primero conecte el cable (+) positivo (rojo), desde el conector de cables hasta el terminal (+) positivo de la batería utilizando el perno y la tuerca suministrada con la batería. Por último, conecte el cable (-) negativo (negro) en la terminal (-) negativa de la batería utilizando el perno y la tuerca. Aplique una pequeña cantidad de grasa sobre los terminales para evitar corrosión.

*NOTA: La batería podría llegar con el conector de cables ya conectado. Si es así, simplemente revise para garantizar que los herrajes de los terminales están apretados firmemente.*

5. Instale la batería sobre la unidad motorizada.
6. Enchufe el conector de cables principal (A, Figura 23) en el conector de cables (B) de la batería.

**⚠️ ADVERTENCIA ⚠️**

Cubra el terminal positivo con la cubierta de terminal ubicada en el conector de cables de la batería. Esto evita que el metal haga contacto con el terminal positivo, lo cual podría producir chispas.

### Servicio de mantenimiento de la batería

1. Pruebe la batería. Consulte la Sección titulada "Prueba de la batería". Si la batería necesita cargarse, cargue la batería. Consulte la Sección titulada "Cargado de la batería".
2. Si la batería no acepta una carga o queda parcialmente cargada después de realizar la carga según las instrucciones, reemplácela con una batería nueva.

### Almacenamiento de la batería

Si el cortacésped debe almacenarse fuera de temporada sobre su parachoques trasero, se recomienda desmontar, cargar y guardar la batería.

1. Desmonte la batería.
2. Realice servicio de mantenimiento a la batería. Consulte la Sección titulada "Servicio de mantenimiento de la batería".
3. Guarde la batería en una área lejos del cortacésped sobre una superficie de madera.

*NOTA: No guarde la batería sobre una superficie de concreto.*

### Prueba de la batería

Revise el estado de carga de la batería utilizando un voltímetro.

Recuerde conectar el cable positivo con el terminal positivo de la batería, y el cable negativo con el terminal negativo. Revise la lectura con respecto a la siguiente tabla. Si el voltaje indica menos de 12.80 voltios, cargue la batería. Consulte la Sección titulada "Cargado de la batería".

### Cargado de la batería

Para cargar la batería:

Condición de la batería	
Estado de carga	Digital Voltmeter
100% cargada	12.80v
75% cargada	12.40v
50% cargada	12.10v
25% cargada	11.90v
0% cargada	Menos de 11.80v

1. Con el cargador de Corriente Continua (DC) suministrado: Enchufe el conector del cargador en el conector de cables (B, Figura 23) de la batería. Enchufe el cargador en un tomacorriente de pared y cargue la batería durante 48 horas. (Periodos más largos no dañarán la batería).

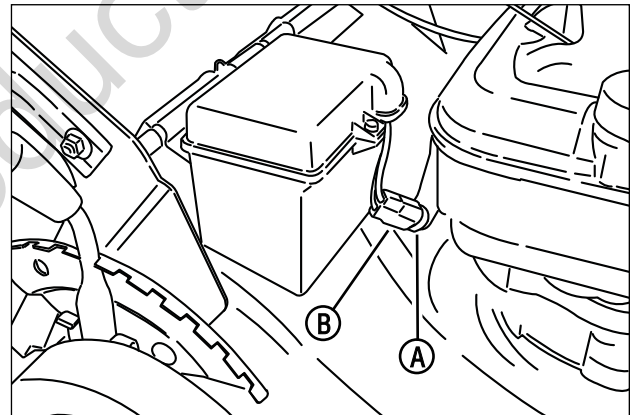


Figura 23: Conexiones de la batería

**⚠️ ADVERTENCIA ⚠️**

Mantenga toda chispa, llama y fuego alejados del área cuando se carga la batería o cuando se manipula la batería. Nunca utilice cargadores de "REFUERZO" (BOOST) en la batería.





## ADVERTENCIA



NO intente realizar ningún mantenimiento, ajuste o servicio con el motor y la cuchilla en funcionamiento. DETENGA el motor y la cuchilla. Desconecte el cable de la bujía y asegure el extremo del cable lejos de la bujía. El motor y los componentes están CALIENTES. Evite quemaduras graves, permita suficiente tiempo para que todos los componentes se enfrien.

## Desmontaje e instalación de la cubierta trasera

### Para desmontar la cubierta trasera

1. Remueva los tres sujetadores **(A, Figura 24)** que aseguran el mandil (delantal) trasero a la máquina.
2. Remueva los dos sujetadores **(B)** que aseguran la cubierta trasera a la máquina.
3. Deslice la cubierta **(C)** hacia abajo y hacia afuera para desmontarla. Coloque a un lado todos los componentes.

### Para instalar la cubierta trasera

1. Invierta los pasos 1-3 anteriores, verificando que la lengüeta **(D)** de la cubierta trasera está ubicada en el lado exterior de la máquina.

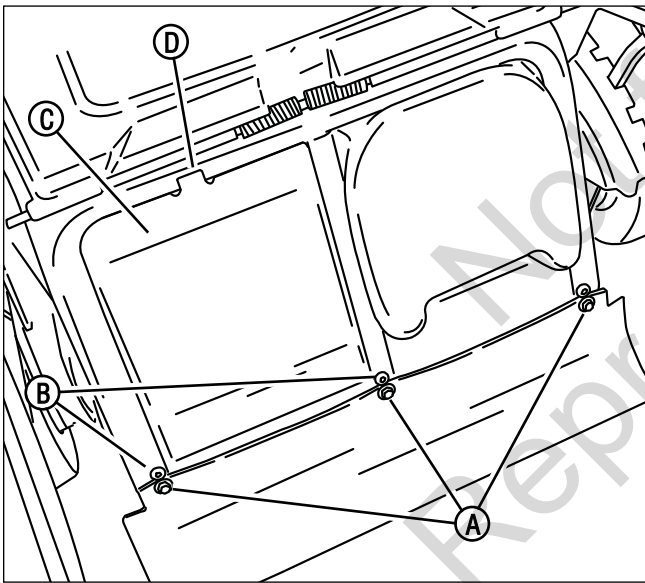


Figura 24: Desmontaje de la cubierta trasera.

## Cronograma del servicio de mantenimiento

ÍTEM	SERVICIO REALIZADO	REF.	CADA USO	5 HRS	25 HRS	50 HRS	100 HRS	CADA TEMPORADA
Aceite de motor	Revise el nivel de aceite	Página 7	X					
	Cambio inicial del aceite	Página 11		X				
	Cambio periódico del aceite	Página 11			X*			
Pre-filtro de aire	Limpie el elemento tipo esponja	Manual del motor			X**			
Filtro de aire	Limpie o reemplace	Manual del motor			X**			
Bujía	Reemplace	Manual del motor					X	
Sistema de enfriamiento del motor	Limpie la carcasa y las aletas	Manual del motor					X**	
Correa de transmisión	Revise en cuanto a desgaste y tensión	Página 11, 15			X	X		X
Cuchilla del cortacésped	Revise en cuanto a desgaste, daño y reemplazo	Página 11, 13	X					
Plataforma del cortacésped	Limpie la acumulación de residuos	Página 7	X					
Componentes del sistema de tracción de las ruedas	Limpie la acumulación de residuos, revise en cuanto a desgaste o daño	Página 12			X			
Ajuste del resorte del cable de la transmisión	Revise y ajuste	Página 14		X	X			X

# Solución de problemas

PROBLEMA	CAUSA PROBABLE	ACCIÓN CORRECTIVA
El motor no arranca utilizando el cable retráctil de arranque	1. Tanque de combustible vacío.	1. Llene el tanque de combustible con combustible fresco.
	2. El motor necesita cebado.	2. Cebe. Consulte el Manual del Motor para obtener instrucciones.
	3. El cable de la bujía está desconectado.	3. Conecte el cable de la bujía en la bujía.
El motor no arranca (modos de arranque eléctrico)	1. Tanque de combustible vacío.	1. Llene el tanque de combustible con combustible fresco.
	2. El motor necesita cebado.	2. Cebe. Consulte el Manual del Motor para obtener instrucciones.
	3. El cable de la bujía está desconectado.	3. Conecte el cable de la bujía en la bujía.
	4. El conector de cables está desconectado.	4. Conecte el conector de cables.
	5. Batería muerta.	5. Cargue o reemplace la batería.
El motor se ahoga o se detiene después de estar en funcionamiento	1. El control de la cuchilla está liberado o no está siendo sostenido de manera firme contra el asidero.	1. El control de la cuchilla debe sostenerse firmemente contra el asidero a todo momento durante la operación del cortacésped.
	2. Tanque de combustible vacío.	2. Llene con combustible hasta el nivel apropiado.
	3. El pre-filtro de aire y/o el filtro de aire del motor está sucio.	3. Limpie toda la suciedad.
	4. La bujía está defectuosa o la separación entre electrodos de la bujía está ajustada inapropiadamente.	4. Realice servicio de mantenimiento a la bujía.
	5. Agua, desechos o combustible viejo en el sistema de combustible.	5. Drene y limpie el sistema de combustible
El motor pierde potencia	1. El pre-filtro de aire o el filtro de aire del motor está sucio.	1. Limpie o reemplace los filtros.
	2. Bujía defectuosa.	2. Realice servicio de mantenimiento a la bujía.
	3. Agua, desechos o combustible viejo en el sistema de combustible.	3. Drene y limpie el sistema de combustible.
Vibración Excesiva	1. La cuchilla del cortacésped está dañada, desbalanceada o doblada.	1. Realice servicio de mantenimiento a la cuchilla del cortacésped.
	2. Componentes de la cuchilla flojos.	2. Realice servicio de mantenimiento y apriete las piezas flojas.
	3. El elevador neumático está flojo o faltante (si lo tiene).	3. Coloque nuevamente los elevadores neumáticos. Apriete hasta el torque de apriete apropiado.
	4. Correa con protuberancias o deshilachada.	4. Reemplace la correa.
El cortacésped no se mueve Pérdida de tracción	1. Acumulación de residuos en o alrededor de los componentes del sistema de tracción de las ruedas.	1. Limpie los residuos.
	2. Se requiere ajuste del cable de la transmisión.	2. Ajuste el cable de la transmisión.
	3. La correa de transmisión requiere reemplazo.	3. Reemplace la correa de transmisión.
	4. Transmisión dañada.	4. Comuníquese con un distribuidor SNAPPER autorizado.
Ruido en la transmisión	1. Se requiere ajuste del cable de la transmisión.	1. Ajuste el cable de la transmisión.
	2. Transmisión dañada.	2. Comuníquese con un distribuidor SNAPPER autorizado.
La velocidad de avance es demasiado rápida / demasiado lenta; no es posible ajustar la velocidad de avance	1. Acumulación de residuos en o alrededor de los componentes de control del sistema de tracción de las ruedas.	1. Limpie los residuos.
	2. Se requiere ajuste del cable de la transmisión.	2. Ajuste el cable de la transmisión.
	3. La correa de transmisión requiere reemplazo.	3. Reemplace la correa de transmisión.
	4. Transmisión dañada.	4. Comuníquese con un distribuidor SNAPPER autorizado.
El cortacésped está cortando inapropiadamente el césped	1. La altura de corte es demasiado baja o alta.	1. Ajuste la altura de corte
	2. La velocidad hacia adelante es demasiado rápida.	2. Ajuste en una velocidad menor.
	3. La cuchilla de corte está desafilada o dañada.	3. Afíle los bordes de corte o reemplace la cuchilla.
La descarga de césped es deficiente	1. La velocidad hacia adelante es demasiado rápida.	1. Ajuste en una velocidad menor.
	2. El césped está húmedo.	2. Corte el césped cuando el césped esté seco.
	3. La cuchilla está excesivamente desgastada o dañada.	3. Realice servicio de mantenimiento a la cuchilla del cortacésped.
	4. Acumulación de césped triturado y residuos debajo de la plataforma.	4. Limpie la plataforma.
	5. Una cuchilla inapropiada está instalada en la plataforma.	5. Instale la cuchilla SNAPPER apropiada.
	6. La cuchilla está instalada inapropiadamente en la plataforma.	6. Instale apropiadamente la cuchilla.
Fuga de aceite.	1. Carcasa del motor con fuga.	1. Comuníquese con un distribuidor SNAPPER autorizado.
		2. Revise y apriete el tapón de drenaje.
		3. Verifique que la varilla medidora del nivel de aceite o la tapa de llenado de aceite están firmemente aseguradas en su sitio.

# SNAPPER®

## GARANTÍA LIMITADA DE 2 AÑOS

Por dos (2) años a contar de la fecha de compra de este producto para ser usado por el comprador original, SNAPPER, por intermedio de cualquier concesionario autorizado SNAPPER reemplazará, gratuitamente (con la excepción de impuestos donde sean aplicables), cualquier pieza o piezas que después de ser examinadas por la fábrica en McDonough, Georgia, EE.UU., mostrara tener defectos en el material o en la fabricación o ambos.

Para el equipo de uso comercial, de alquiler u otro uso no residencial de propiedad del comprador original, SNAPPER, a través de cualquier concesionario autorizado SNAPPER, por un período de noventa (90) días a contar de la fecha de compra, reemplazará gratuitamente cualquier parte o partes que al ser examinadas por la fábrica en McDonough, Georgia, se le encuentre algún defecto en el material o fabricación o ambos.

Todos los gastos de transporte incurridos por el comprador al enviar el material a un concesionario autorizado SNAPPER para su reemplazo según lo estipulado en esta garantía, correrán por cuenta del comprador.

Esta garantía no aplica a ciertas transmisiones, a motores y sus componentes, y baterías, dado que esos componentes están garantizados por separado. Esta garantía no cubre las piezas dañadas por accidente, alteración, maltrato, lubricación incorrecta, desgaste normal u otras causas ajenas a la voluntad de SNAPPER. Esta garantía no cubre ninguna máquina o componente que haya sido alterado o modificado, cambiando la seguridad, el comportamiento o la durabilidad.

Las baterías tienen un período de garantía de un (1) año con reemplazo gratuito si se solicita en el transcurso de un (1) año a partir de la fecha de compra original. SNAPPER no es responsable por ningún coste incurrido en la instalación. La garantía de la batería solamente cubre las baterías del equipo original y no cubre ningún daño de la batería o máquina causado por descuido o maltrato, destrucción por incendio, explosión, congelación, carga excesiva, mantenimiento inadecuado o uso del electrolito incorrecto.

No existe ninguna otra garantía expresa.

### RENUNCIA DE GARANTÍA

Las garantías implícitas, incluidas las de comerciabilidad e idoneidad o aptitud para un propósito en particular, están limitadas a dos (2) años a contar de la fecha de compra del producto de uso residencial u otro uso no comercial por el comprador original, y por noventa (90) días a contar de la fecha de compra del producto de uso comercial, de alquiler u otro uso no residencial por el comprador original, y hasta el punto permitido por la ley. Todas las garantías implícitas quedan excluidas. Esta es la única solución. Las responsabilidades civiles por daños indirectos, bajo cualesquiera y todas las garantías, quedan excluidas.

Algunos estados no permiten limitaciones en relación con la duración de una garantía implícita, o no permiten la exclusión o limitación de los daños incidentales o indirectos, de tal manera que es posible que las anteriores limitaciones o exclusiones no se apliquen en su caso en particular.

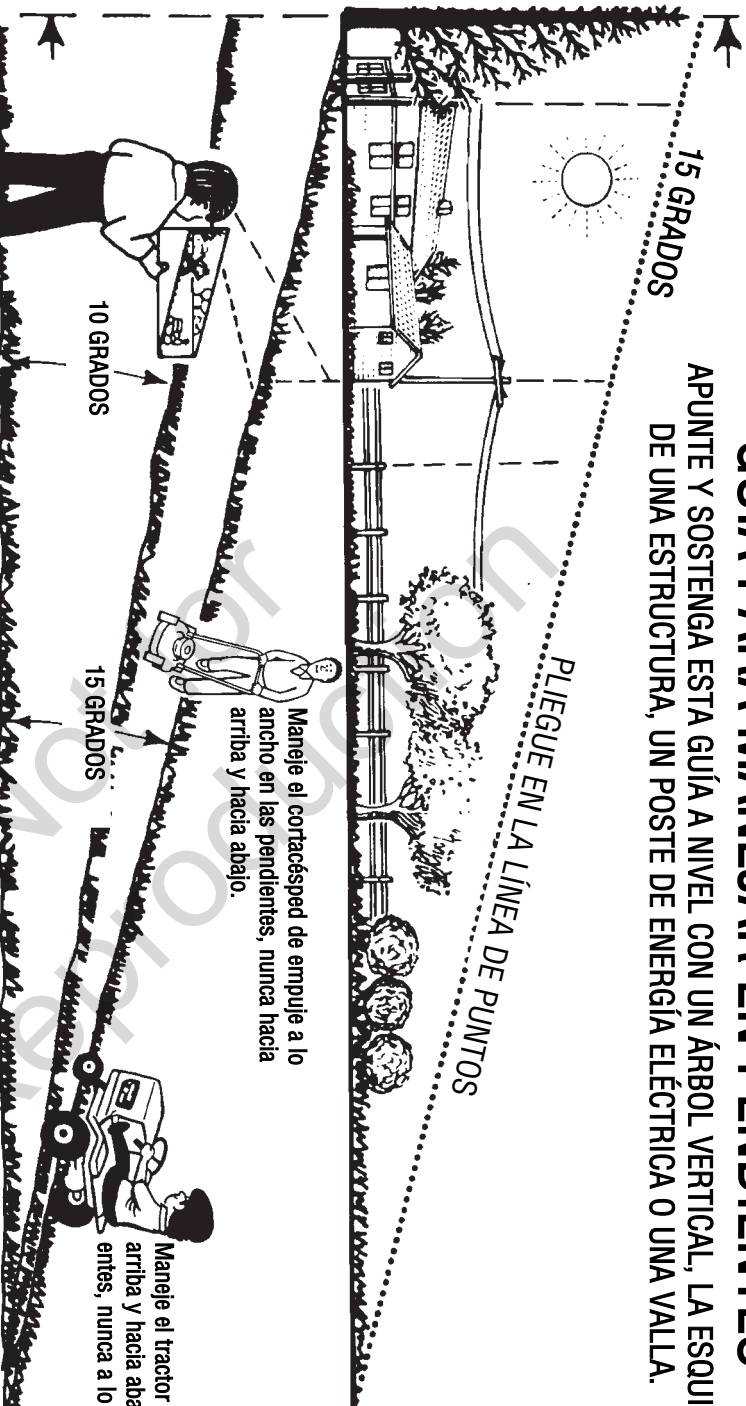
Esta garantía le da derechos legales específicos, y usted puede tener otros derechos los cuales varían de un estado a otro.

ADVERTENCIA: EL USO DE PIEZAS DE RECAMBIO/REPUESTO APARTE DE LAS PIEZAS ORIGINALES SNAPPER PUEDE PERJUDICAR LA SEGURIDAD DE LOS PRODUCTOS SNAPPER Y ANULARÁ TODA RESPONSABILIDAD Y GARANTÍA EMITIDA POR SNAPPER ASOCIADA CON EL USO DE TALES PIEZAS.

IMPORTANTE: Sírvase llenar inmediatamente la tarjeta de registro del producto SNAPPER que se adjunta y remítala a:  
**Snapper's Product Registration Center, P.O. Box 1379, McDonough, Georgia 30253 USA**

## GUÍA PARA MANEJAR EN PENDIENTES

APUNTE Y SOSTENGA ESTA GUÍA A NIVEL CON UN ÁRBOL VERTICAL, LA ESQUINA DE UNA ESTRUCTURA, UN POSTE DE ENERGÍA ELÉCTRICA O UNA VALLA.



Maneje el cortacésped de empuje a lo ancho en las pendientes, nunca hacia arriba y hacia abajo.

Maneje el tractor cortacésped hacia arriba y hacia abajo en las pendientes, nunca a lo ancho.

Para determinar si no es peligroso cortar el césped en una pendiente cuando maneja un tractor cortacésped: (1) desengrane la cuchilla(s), (2) ponga la máquina en marcha atrás, y (3) pruebe ascender la pendiente retrocediendo en línea recta. Si puede hacerlo, por lo general no es peligroso cortar el césped. Sin embargo, si no se siente seguro, o no está totalmente convencido, use esta guía y no corte el césped en una pendiente que sea mayor que 15 grados. Si está usando el tractor cortacésped con un accesorio remolcado o de montaje trasero, no lo maneje en una pendiente que sea mayor que 10 grados.

Una pendiente de 15 grados es un cerro cuya altura aumenta aproximadamente 2.5 pies en 10 pies. Una pendiente de 10 grados es un cerro cuya altura aumenta aproximadamente 1.7 pies en 10 pies.



Preste mucha atención en todo momento, y evite los virajes o maniobras bruscas. Para su seguridad, respete otras instrucciones encontradas en este manual mientras corta césped en pendientes. Maneje el tractor cortacésped de subida o bajada en las pendientes, nunca a lo ancho de las mismas. Maneje el cortacésped de empuje a lo ancho de las pendientes, nunca subiendo o bajando. Sea sumamente cuidadoso cuando maneje en o cerca de pendientes y obstrucciones.

CÓRTE AQUÍ PARA USAR LA GUÍA





# SNAPPER®

## CORTACÉSPED DE VELOCIDAD VARIABLE, DE CONDUCTOR A PIE, DE DESCARGA TRASERA, DE 21" (53.2 cm)

Especificaciones del Producto		Piezas de repuesto comunes	Número de Pieza
Tamaño de la plataforma (pulg.)	21	Cable de control de la cuchilla (SPV21675, NSPV21675)	7101399
Altura de corte (pulg.)	1.25 - 4		
Tipo de transmisión	Engranaje / velocidad	Cable de control de la cuchilla (SPV21675E, NSPV21675E)	7102606
Velocidad de avance (mph)	0 - 4.2		
Potencia del motor (pies-lbs)	6.75	Cable de control del sistema de tracción de las ruedas	7101398
Cilindrada del motor (cc)	190	Cuchilla del cortacésped (doble ondulación)	7100242
Capacidad del tanque de combustible (cuarto de galón)	1.6	Correa de transmisión	7100883
		Manual de piezas	7006259

**Información sobre la potencia nominal del motor:** La potencia nominal bruta para los modelos de motor de gasolina individuales está etiquetada de acuerdo con el código J1940 (Procedimiento de Cálculo de los Valores Nominales del Torque y Potencia de Motores Pequeños) de la SAE (Society of Automotive Engineers), y el desempeño nominal ha sido obtenido y corregido de acuerdo con el código SAE J1995 (Revisión 2002-05). Los valores de torque son calculados a 3060 RPM; los valores de caballos de fuerza son calculados a 3600 RPM. La potencia bruta real del motor será inferior y es afectada por, entre otras cosas, las condiciones operativas ambientales y la variabilidad de motor a motor. Dadas ambas, la amplia variedad de productos en los cuales se colocan los motores y la variedad de factores ambientales aplicables a la operación del equipo, el motor de gasolina no desarrollará la potencia bruta nominal cuando se utiliza en una pieza dada de equipo motriz (real "en-sitio" o caballos de fuerza netos). Esta diferencia se debe a una variedad de factores, que incluyen, pero no se limitan a, los accesorios (filtro de aire, tubo de escape, característica de cargado, enfriamiento, carburador, bomba de combustible, etc.), limitaciones de aplicación, condiciones operativas ambientales (temperatura, humedad, altitud), y variabilidad de motor a motor. Debido a limitaciones de fabricación y capacidad, Briggs & Stratton podría sustituir motor de mayor potencia nominal por el motor de esta Serie.