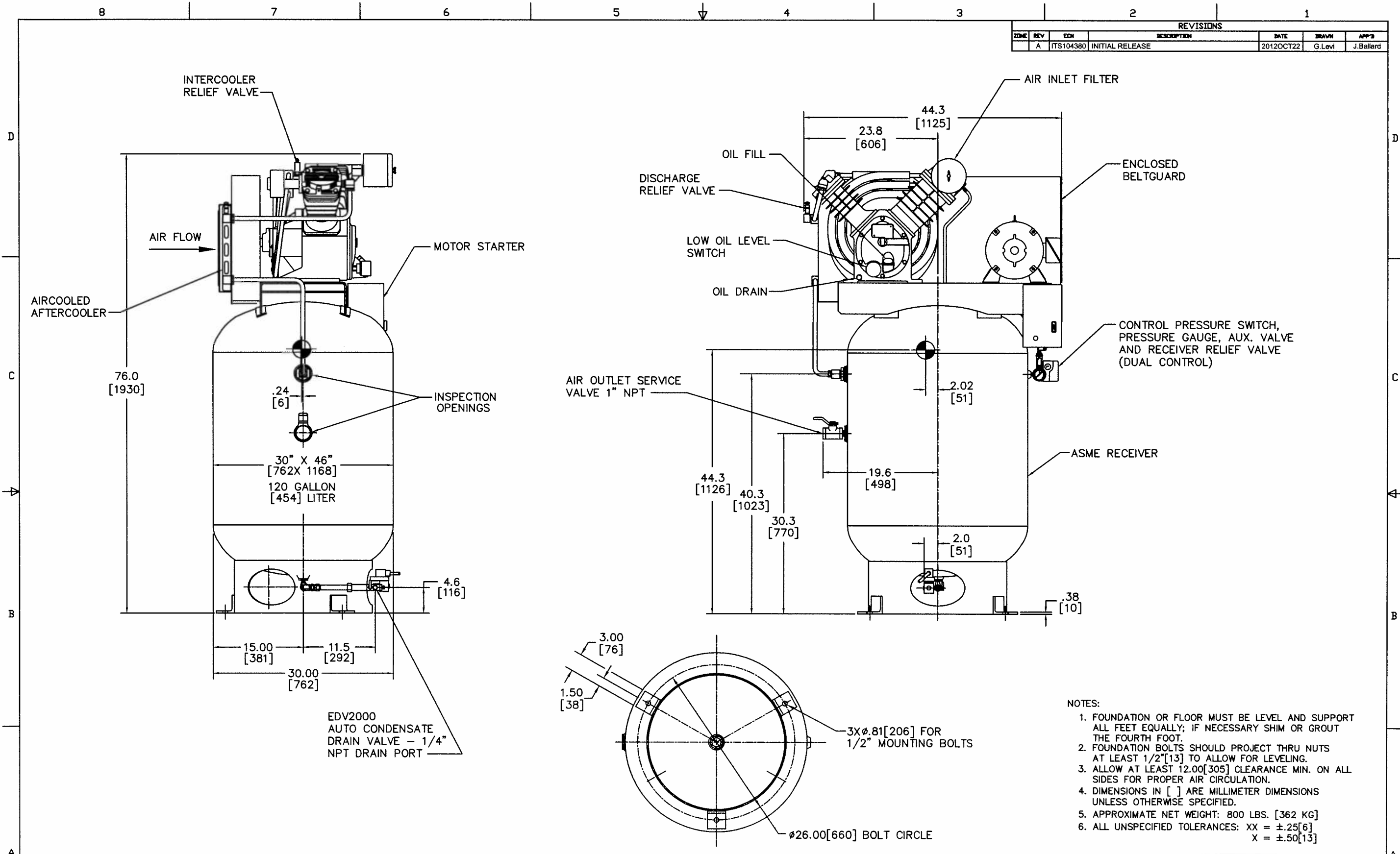


REVISIONS						
ZONE	REV	EDN	DESCRIPTION	DATE	DRAWN	APP'D
	A	ITS104380	INITIAL RELEASE	2012OCT22	G.Levi	J.Ballard



- NOTES:
1. FOUNDATION OR FLOOR MUST BE LEVEL AND SUPPORT ALL FEET EQUALLY; IF NECESSARY SHIM OR GROUT THE FOURTH FOOT.
 2. FOUNDATION BOLTS SHOULD PROJECT THRU NUTS AT LEAST 1/2"[13] TO ALLOW FOR LEVELING.
 3. ALLOW AT LEAST 12.00[305] CLEARANCE MIN. ON ALL SIDES FOR PROPER AIR CIRCULATION.
 4. DIMENSIONS IN [] ARE MILLIMETER DIMENSIONS UNLESS OTHERWISE SPECIFIED.
 5. APPROXIMATE NET WEIGHT: 800 LBS. [362 KG]
 6. ALL UNSPECIFIED TOLERANCES: XX = ±.25[6]
X = ±.50[13]

APPROVED FOR:	SIZE:	JOB:	SPEC:
IR ORDER NO:	MODEL:	ITEM:	CONTRACTOR:
CUSTOMER:	PISTON DISPLACEMENT cfm [m3/min]:	ARCH. ENGR.:	MTR. HP/KW:
	SPEED rpm:	MTR. VOLTS:	PH:
	DISCHARGE PRESSURE RATING psig [kPa]:	MTR. HZ:	
CUSTOMER ORDER NO:	ACTUAL DELIVERY cfm [m3/min]	STARTER TYPE:	
PER:	REGULATION:		

THIS DRAWING IS THE PROPERTY OF INGERSOLL-RAND CO. AND IS LOANED TO THE RECEIVER IN CONFIDENCE. THE RECEIVER BY RECEIPTING AND RETENTION OF THIS DRAWING ACCEPTS THE DRAWING IN CONFIDENCE AND AGREES THAT EXCEPT AS AUTHORIZED IN WRITING BY INGERSOLL-RAND CO. IT WILL (1) NOT USE THE DRAWING OR ANY COPY THEREOF OR THE CONFIDENTIAL OR TRADE SECRET INFORMATION THEREIN; (2) NOT COPY THE DRAWING; (3) NOT DISCLOSE TO OTHERS EITHER THE DRAWING OR THE CONFIDENTIAL OR TRADE SECRET INFORMATION THEREIN; AND (4) UPON COMPLETION OF THE NEED TO RETAIN THE DRAWING OR UPON DEMAND, RETURN THE DRAWING, ALL COPIES THEREOF, AND ALL MATERIAL COPIED THEREFROM.

THIRD PARTY PROJECTION

DRAWN: G.Levi 2012OCT22
CHECKED: D.Adams 2012OCT22
APPROVED: J.Smith 2012OCT22

IR Ingersoll Rand

GENERAL ARRANGEMENT
2545K10P

SIZE: A1 ESTIMATED WEIGHT: ABOVE DRAWING NO: 46827432 REV: A

SCALE: NONE UNIT: PREMIUM PACKAGE SHEET: 1 OF 1