

Instruction Sheet

Kit Number: 71701200

LOG SPLITTER WORK TABLE KIT



WARNING: FAILURE TO FOLLOW INSTRUCTIONS could result in personal injury and/or damage to unit.

Read, understand, and follow all safety practices in Owner/Operator Manual before beginning.

ACCIDENTAL ENGINE START UP can cause death or serious injury. **ALWAYS** stop engine, wait for moving parts to stop, wait for hot parts to cool and remove wire from spark plug before adjusting or servicing.

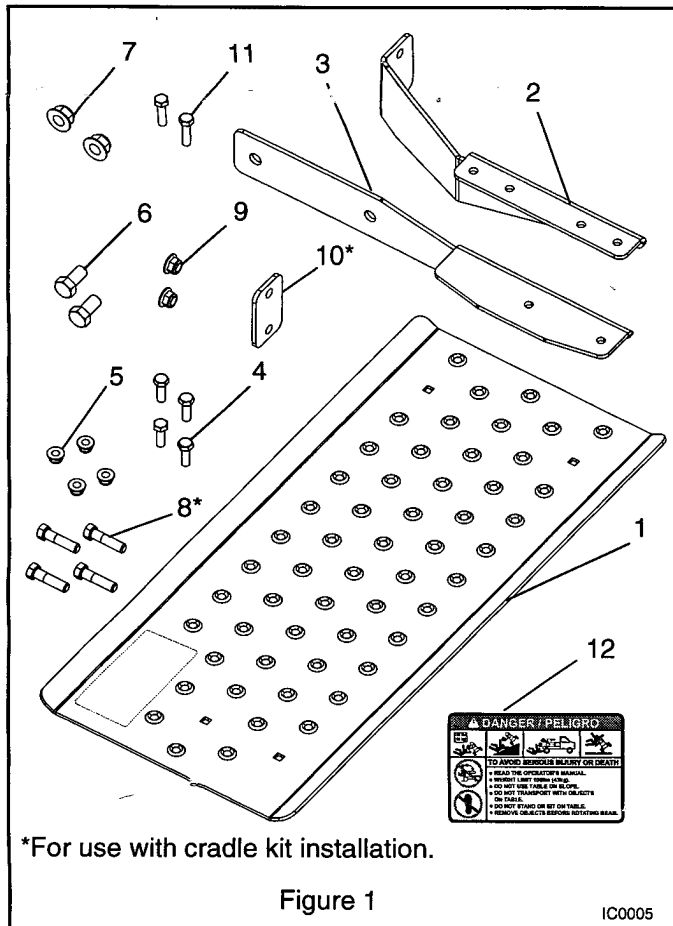
UNIT CAN CAUSE SERIOUS INJURY if it rolls out of control or tips over. Chock wheels when unit is not attached to a tow vehicle.

Package Contents

Check the contents of your kit for the parts listed below (Figure 1):

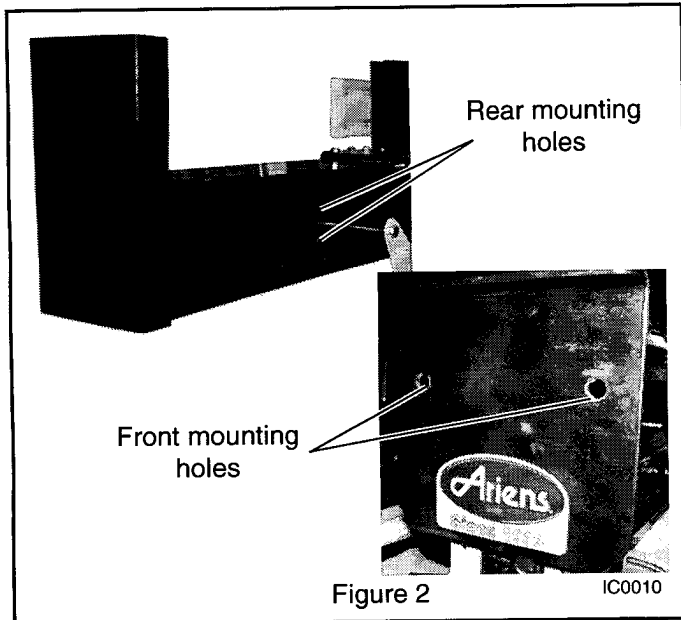
Item	Description	Qty	Part Number
1.	Work Table Bracket	1	03880159
2.	Rear Table Mount Bracket	1	03880251
3.	Front Table Mount Bracket	1	03880351
4.	5/16-18 x 1 Round Head Square Neck Bolt Grade 5	4	06200007
5.	5/16-18 Nyloc Flange Nut	4	06545400
6.	1/2-13 x 1 Hex Bolt Grade 5	2	05947100
7.	1/2-13 Locking-top Flange Nut	2	06543600
8.	3/8-16 x 1-1/2 Hex Bolt Grade 5	4	05957900*
9.	3/8-16 Locking-Top Flange Nut	2	06542000
10.	Work Table Spacer Plate	1	03886751*
11.	3/8-16 x 1-1/4 Hex Bolt Grade 5	2	05958000
12.	Decal, Work Table	1	08000406

* For use with cradle kit (p/n 71701600) installation.

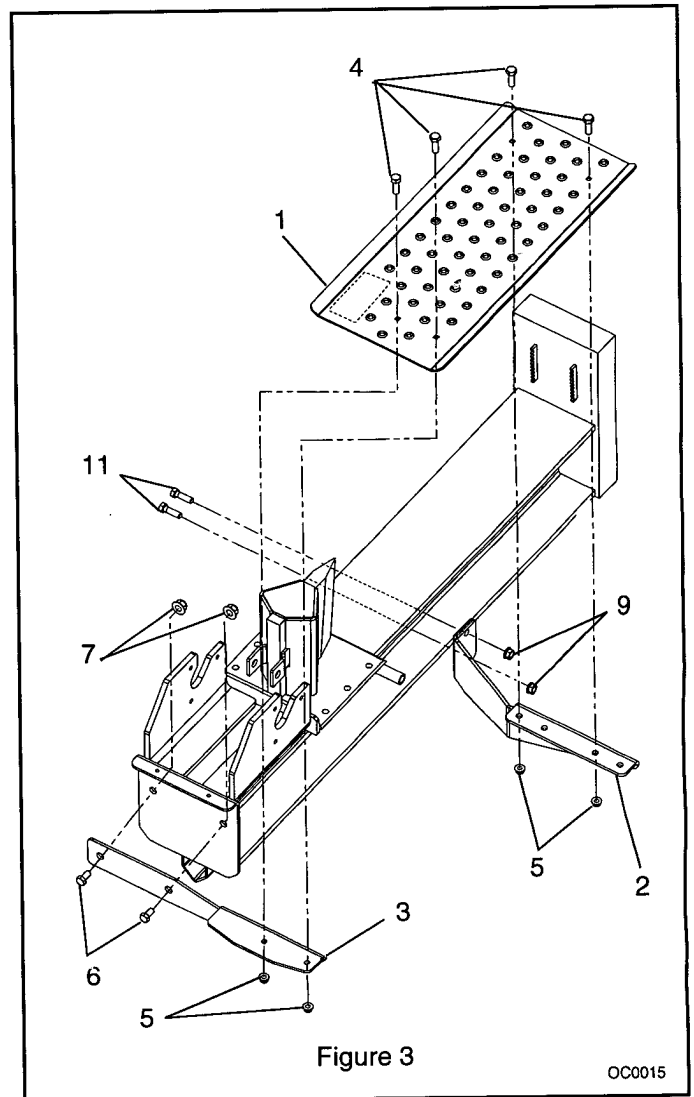


INSTALLATION

1. Locate the predrilled front and rear mounting holes.
See Figure 2.



2. Install front table mount bracket (item 3) using two 1/2-13 x 1 hex bolts (item 6) and two 1/2-13 locking-top flange nuts (item 7). See Figure 3.

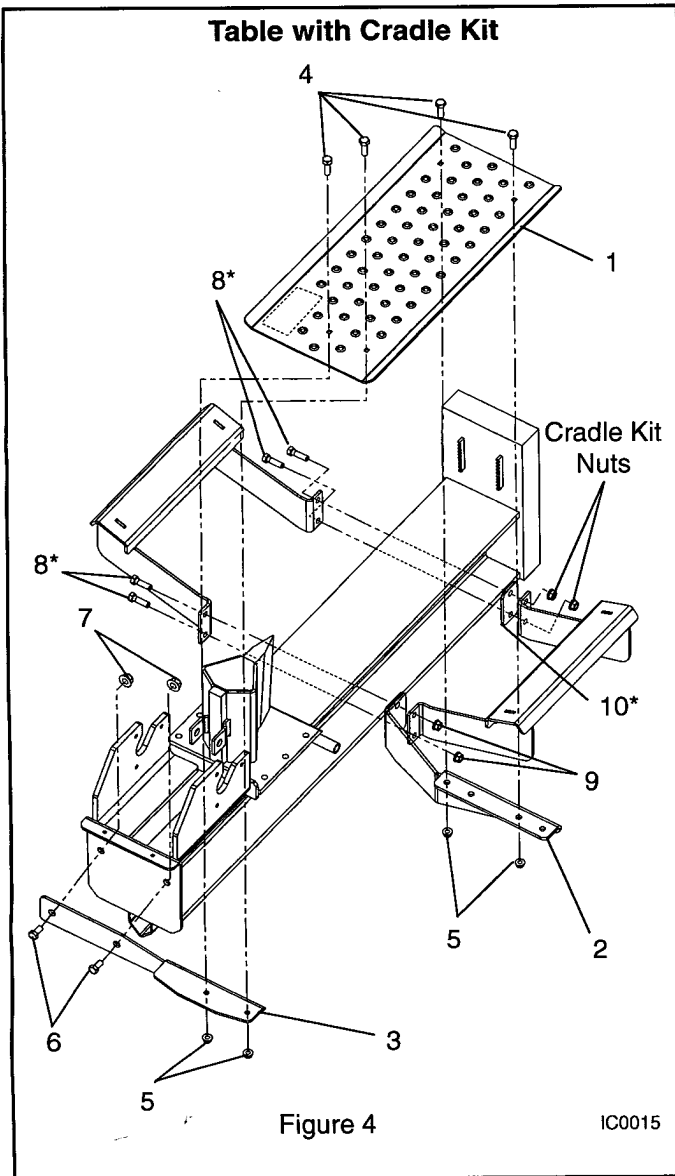


3. Install the rear table mount bracket (item 2) using two 3/8-16 x 1-1/4 hex bolts (item 11) and two 3/8-16 locking-top flange nuts (item 9). See Figure 3.
4. Install the work table bracket (item 1) using four 5/16-18 x 1 round head square neck bolts (item 4) and four 5/16-18 nyloc flange nuts (item 5). See Figure 3.

Installation with Cradle Kit

NOTE: Cradle Kit (p/n71701600) sold separately. See your Arien's dealer for more information.

1. To install the front table mount bracket (item 3) see *Installation* step 1.
2. Loosely install the rear table mount bracket (item 2), work table spacer plate (item 10) and one cradle arm using four 3/8-16 x 1-1/2 hex bolts (item 8). See Figure 4.
3. Install the cradle arm on the other side of the beam and fasten using two 3/8-16 locking-top flange nuts (item 9) included in the table kit and two 3/8-16 nuts included with the cradle kit.
4. To install work table bracket (item 1) see *Installation* step 4.



WARNING: Weight on table should not exceed 100 lbs (45.36 kg). Excessive weight may cause the unit to become unstable and tip over. **ONLY OPERATE** the log splitter on level surfaces. Stay off slopes and slippery surfaces. **DO NOT** allow anyone to stand or sit on table at any time.

IMPORTANT: DO NOT reach across the unit.

NEVER place hands or any part of the body between a log and any part of the log splitter.

DO NOT load another log or remove split pieces until the cylinder has completely stopped and the control lever is in the neutral position.

SPLIT ONLY from log ends, with the grain.

SPLIT ONLY one log at a time unless the cylinder has been fully extended and a second log is needed to complete the separation of the first log.

NEVER transport cargo on the splitter or table.

NEVER allow anyone to ride on the splitter or table.