

Inverter Driven Heat Pump

24,000 BTU Wall Mount Type

Job Name _____
 Location _____
 Engineer _____
 Submitted To _____
 Submitted By _____
 Reference _____

Date _____
 Approval _____
 Construction _____
 Unit No _____
 Drawing No _____

PRODUCT FEATURES

- Wireless Remote Controller Included
- Minimum Heat Mode
- Automatic Airflow Adjustment
- Auto/Cool/Dry/Fan/Heat/modes
- Powerful & Economy Mode
- Auto Changeover
- Weekly & 24 Hr Timer
- Cold Air Prevention



MODEL NUMBERS				
Indoor Unit	ASUH24LPAS			
Nominal Capacity	24,000			
LINESET REQUIREMENTS				
Connection Method		Flare		
Liquid	in (mm)	Ø 1/4 (Ø 6.35)		
Gas	in (mm)	Ø 1/2 (Ø 12.7)		
Drain hose	Material	PP+HDPE		
	in (mm)	Ø17/32 (Ø13.8) (I.D.), Ø5/8 to 21/32 (Ø15.8 to 16.7) (O.D.)		
INDOOR DIMENSIONS & WEIGHT				
Net (H x W x D)	in (mm)	11 x 38-9/16 x 9-7/16 (280 x 980 x 240)		
Gross (H x W x D)		12-11/16 x 42-7/16 x 13-5/8 (322 x 1,078 x 346)		
Net Weight		29 (13)		
Gross Weight	lb (kg)	37 (17)		
ELECTRICAL SPECIFICATIONS				
Voltage/Frequency/Phase		208/230 V ~ 60 Hz		
Available Voltage Range		187–253 V		
Running Current	A	0.46		
Input Power	W	55		
SOUND PRESSURE				
Indoor Unit	Cooling	HIGH	dB (A)	49
		MED		42
		LOW		37
		QUIET		31
	Heating	HIGH	dB (A)	47
		MED		43
		LOW		37
		QUIET		32
FAN DATA				
Indoor Unit Airflow rate	Cooling	HIGH	CFM (m3/h)	642 (1,090)
		MED		471 (800)
		LOW		377 (640)
		QUIET		306 (520)
	Heating	HIGH	CFM (m3/h)	594 (1,010)
		MED		506 (860)
		LOW		377 (640)
		QUIET		306 (520)

Warranty Information



7 Year Compressor, 5 Year Parts out-of-the-box Warranty

10 Year Compressor, 10 Year Parts Warranty when registered within 60 days of installation in a residence

12 Year Compressor, 12 Year Parts Warranty when registered within 60 days of installation in a residence, and installed by a Fujitsu Elite contractor

ENCLOSURE

Enclosure	Material	Polystyrene
	Color	White

ACCESSORIES

UTY-RNRUZ*	Wired remote controller
UTY-RSRY	Simple remote controller
UTY-RHRY	Simple remote controller
UTY-XWZX	External Connect Kit
UTY-XWZXZ5	External Connect Kit
UTY-XCSXZ2	External Input and Output PCB
UTY-TWRXZ2	Communication Kit
UTY-TFSXF1	Wireless LAN adapter
UTY-VMSX	Modbus Converter
UTY-TTRXZ1	24V Thermostat Converter
UTY-VTGX	Network Converter

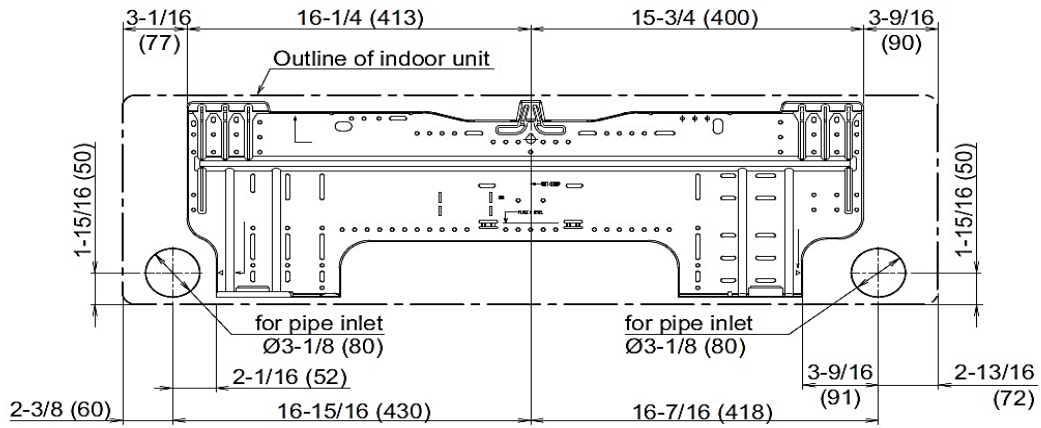
Due to continuous product improvements, specifications are subject to change without notice. Please log in to the Fujitsu Portal for the most up-to-date documentation <https://connect.fujitsugeneral.com>

Effective Date: 1/10/2023

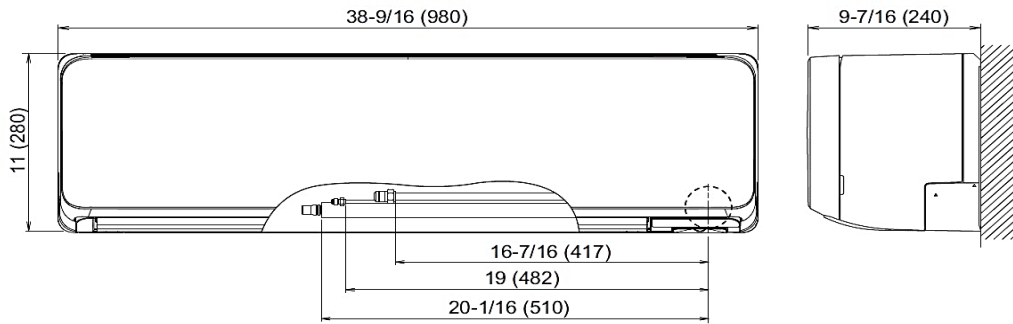
DIMENSIONS:

Wall Bracket Data:

Units: In. (mm)



Indoor Unit:



The Fujitsu logo is a worldwide trademark of Fujitsu General Limited. The Airstage logo and name is a worldwide trademark of Fujitsu General Limited and is a registered trademark in Japan, the USA and other countries or areas. Copyright 2022 Fujitsu General America, Inc. Fujitsu's products are subject to continuous improvements. Fujitsu reserves the right to modify product design, specifications and information in this brochure without notice and without incurring any obligations.

Note: Specifications are based on the following conditions:
 Cooling: Indoor temperature of 80°F (26.7°C) DB/67°F (19.4°C) WB, and outdoor temperature of 95°F (35°C) DB/75°F (23.9°C) WB. Heating: Indoor temperature of 70°F (21.1°C) DB/60°F (15.6°C) WB, and outdoor temperature of 47°F (8.3°C) DB/43°F (6.1°C) WB. Pipe length: 25ft. (7.5m), Height difference: 0ft. (0m) (Outdoor unit - indoor unit).