

Project: _____

Architect: _____

Contractor: _____

Suppliers: _____

Dealer: _____

Engineer: _____

Location: _____

Date: _____

SPECIFICATIONS

Capacity	@ 80°F/60% RH @ 73°F/60% RH	70 ppd 53 ppd
Energy Factor	@ 80°F/60% RH @ 73°F/60% RH	2.1 L/kW-h 1.8 L/KW-h
Airflow @ varying E.S.P. (external static pressure - dry coil)	0.0" w.c. 0.2" w.c. 0.4" w.c.	200 CFM 170 CFM 140 CFM
Voltage, phase, frequency	120VAC, 1 phase, 60Hz	
Current draw⁽¹⁾	5.8 Amps	
Noise	53 dBA ducted	
Dimension (cabinet only)⁽²⁾	Width: 12½" Height: 12½" Length: 25"	
Unit Weight	56 lbs.	
Shipping Weight	72 lbs.	
Control⁽³⁾	Built-in digital control with display	
Control mounting option	Front mount only	
Cabinet insulation	1/2" EPS	
Air discharge orientation	End of cabinet only	
Inlet/Outlet duct collars	8" dia.	
Backdraft damper	N/A	
Filter	Washable MERV 8 (Part Number 5695)	
Refrigerant	R410A	
Coil type	Corrosion-resistant aluminum	
8' Power cord	Plug type	
Hardwire Option	No	
Discharge air temperature rise	10°F-30°F	
Drain connection⁽⁴⁾	3/4" MNPT Threaded	
Included drain tubing	10' length	
Warranty	5 Years	

⁽¹⁾Rated capacity, energy factor and current draw measured at 80°F/60% RH inlet air at 0.0 ESP.

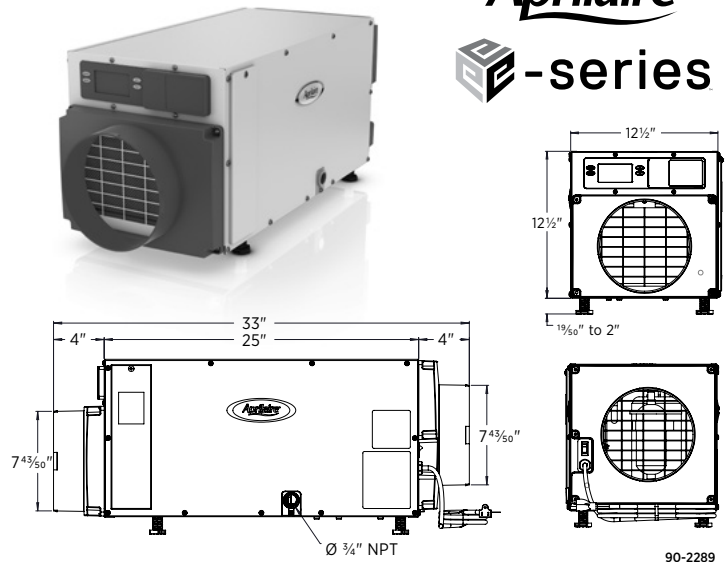
⁽²⁾Height does not include adjustable feet. The width excludes the filter doors and length excludes the duct collars.

⁽³⁾Built-in automatic control capable to be set up for dehumidification and ventilation or zoning.

⁽⁴⁾Adapters for threaded connection for plastic hose included.

The submittal is intended to show general, overall product dimensions and provide guidance for installation clearance. Drawings are not to scale. Ensure submittals are current. Research Products reserves the rights to make product change without notifications or obligations.

Aprilaire®
E-series



OPERATION

The Aprilaire Model E070 Crawl Space Dehumidifier is designed to dehumidify the air coming into the unit by passing the incoming air over an evaporator coil to drop the air temperature below the dew point of the air. Moisture is removed from the air and drained out of the unit to a common floor or waste drain. The air is then reheated in the condenser coil and exits the unit.

Dehumidification occurs until the set point is reached, then shuts off until periodic sampling determines a need for operation.

APPLICATION

The Aprilaire Model E070 Crawl Space Dehumidifier is the perfect solution for controlling humidity in crawl spaces; protecting against structural damage, pests and mold.

CIRCULATION

The E070 can also be programmed to circulate the air within a crawl space. Circulating the air evens out relative humidity levels and temperature in the space, eliminating variations in the environment.